



US00D972841S

(12) **United States Design Patent**
Tran et al.

(10) **Patent No.:** **US D972,841 S**

(45) **Date of Patent:** **** Dec. 20, 2022**

(54) **WALLET**

(71) Applicants: **Thuan Tran**, San Jose, CA (US);
Charlie Carroll, Palo Alto, CA (US);
Binh Tran, Santa Clara, CA (US)

(72) Inventors: **Thuan Tran**, San Jose, CA (US);
Charlie Carroll, Palo Alto, CA (US);
Binh Tran, Santa Clara, CA (US)

(73) Assignee: **Dango Products, LLC**, Portola Valley,
CA (US)

(**) Term: **15 Years**

(21) Appl. No.: **29/754,557**

(22) Filed: **Oct. 12, 2020**

(51) **LOC (13) Cl.** **03-01**

(52) **U.S. Cl.**

USPC **D3/247**

(58) **Field of Classification Search**

USPC D3/203.1, 205–212, 215, 226–230, 233,
D3/247, 249–250, 269, 276, 282,
D3/293–294, 300, 303, 318, 321–322,
D3/905

CPC .. A45C 1/06; A45C 1/024; A45C 3/06; A45C
3/08

See application file for complete search history.

(56) **References Cited**

U.S. PATENT DOCUMENTS

D266,479 S	10/1982	Hayakawa
D322,039 S	12/1991	Chien
D360,815 S	8/1995	Padden
D374,388 S	10/1996	Padden
D416,581 S	11/1999	Cheng
6,009,584 A	1/2000	Padden
6,044,967 A	4/2000	Painsith
6,076,665 A	6/2000	Chuang
D431,105 S	9/2000	Ling

(Continued)

OTHER PUBLICATIONS

Dango Products A10 Adapt Single Pocket Wallet, unknown first available date, dangoproducts.com [online], [site visited Apr. 25, 2022], Available at URL: <https://www.dangoproducts.com/collections/a-series-wallets/products/a10-adapt-single-pocket-wallet> (Year: 2022).*

(Continued)

Primary Examiner — Jeffrey D Asch

Assistant Examiner — Caitlin A Laverty

(74) *Attorney, Agent, or Firm* — Gallium Law; Wesley Schwie, Esq.; Isabel Fox

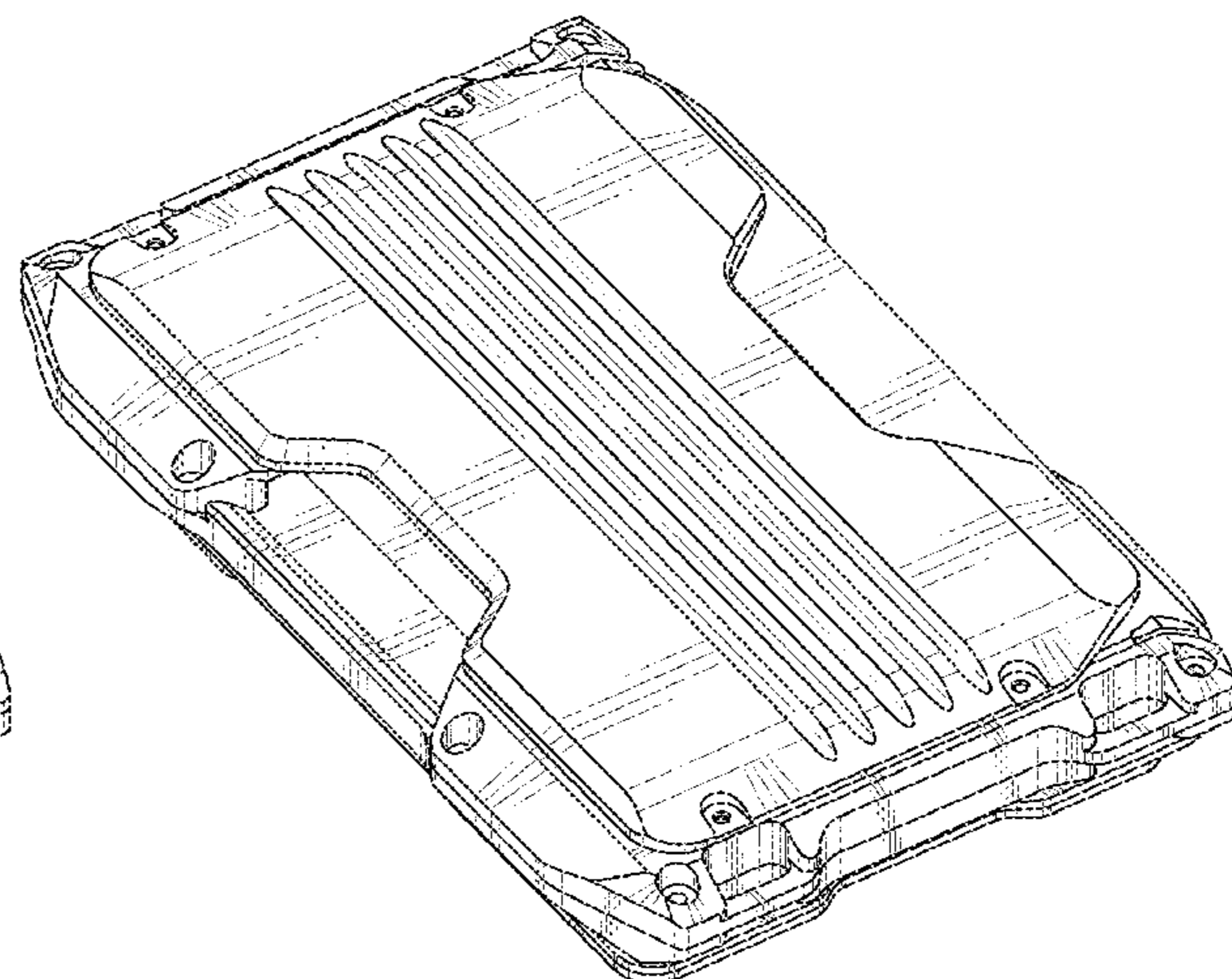
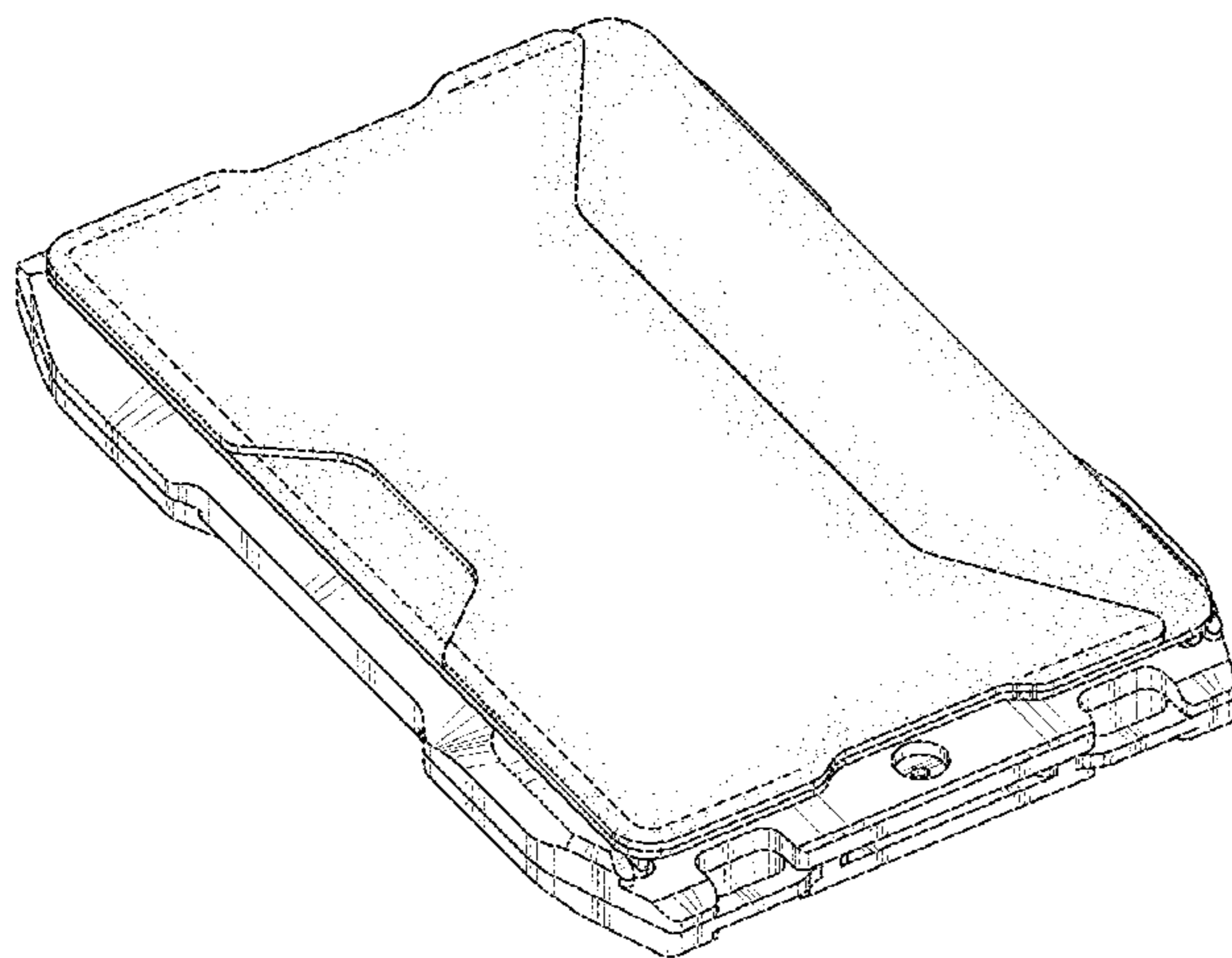
(57) **CLAIM**

The ornamental design for a wallet, as shown and described.

DESCRIPTION

FIG. 1 is a front, side, and top perspective view of a wallet embodying the new design; FIG. 2 is a back, side, and bottom perspective view thereof; FIG. 3 is a front view thereof; FIG. 4 is a back view thereof; FIG. 5 is a first side view thereof; FIG. 6 is a second side view thereof; FIG. 7 is a top view thereof; FIG. 8 is a bottom view thereof; FIG. 9 is a front, side, and bottom perspective view showing a card holder portion of the wallet slid back to reveal an inner storage area of the wallet; and, FIG. 10 is a front, side, and bottom perspective view showing the wallet whereby the card holder is detached. The uniform repeating broken lines on the front surface depict stitching and do not form part of the claimed design. The uniform repeating broken lines in FIGS. 9 and 10 showing paper money and cards depict environment and do not form part of the claimed design.

1 Claim, 10 Drawing Sheets



(56)

References Cited

U.S. PATENT DOCUMENTS

6,145,994 A 11/2000 Ng
 D434,624 S 12/2000 Padden
 D444,060 S 6/2001 Elsener
 6,347,875 B1 2/2002 Painsith
 D462,000 S 8/2002 Hightower
 6,460,698 B1 10/2002 Wang
 D517,390 S 3/2006 Cheng
 D632,695 S * 2/2011 Berntsen D14/435
 7,921,890 B2 * 4/2011 Ho A45C 11/182
 206/214
 D690,931 S 10/2013 Minn
 D695,013 S 12/2013 Minn
 D707,091 S 6/2014 Barr
 D719,350 S * 12/2014 Daoura D3/247
 9,125,465 B2 9/2015 Beckley
 D743,760 S 11/2015 Barr
 D751,877 S 3/2016 Shlaferman
 D765,487 S 9/2016 Barr
 D768,383 S 10/2016 Wu
 D772,678 S 11/2016 Haarburger
 D775,824 S 1/2017 King
 D780,449 S 3/2017 King
 D792,749 S 7/2017 Faro
 D798,591 S 10/2017 King
 D799,301 S 10/2017 Cetera
 9,815,212 B2 11/2017 Barr
 D805,873 S 12/2017 Cetera
 D806,386 S 1/2018 King
 D808,158 S * 1/2018 King D3/247
 D808,765 S 1/2018 Kisling
 D814,182 S 4/2018 Haarburger
 D814,183 S 4/2018 Haarburger
 D815,932 S 4/2018 Lee
 D815,935 S 4/2018 Barak
 D817,196 S 5/2018 Haarburger
 D817,316 S 5/2018 Srour
 D827,408 S 9/2018 Stefanczyk-Lacor
 10,080,409 B2 9/2018 King
 D831,349 S 10/2018 Deng
 D835,410 S 12/2018 Chan
 D836,914 S * 1/2019 Reinhart D3/318
 10,206,473 B2 2/2019 Haarburger
 D842,070 S 3/2019 Kisling
 D860,645 S * 9/2019 Wu D3/247

D866,177 S * 11/2019 Leh D3/247
 D866,276 S 11/2019 Shlaferman
 D866,964 S * 11/2019 Tran D3/247
 D868,463 S * 12/2019 Tran D3/249
 10,512,316 B2 12/2019 Haarburger
 D875,490 S 2/2020 Barr
 D877,513 S * 3/2020 Duncan D11/78.1
 D877,594 S 3/2020 Liang
 D878,891 S 3/2020 Polczynski
 D878,893 S 3/2020 Kao
 D879,580 S 3/2020 Spater
 D881,671 S 4/2020 Kao
 D884,338 S * 5/2020 Liu D3/247
 D884,339 S * 5/2020 Li D20/27
 D887,708 S * 6/2020 Tran D3/247
 D934,560 S * 11/2021 Tran D3/247
 11,284,689 B1 * 3/2022 Duncan A45C 1/06
 11,311,087 B2 * 4/2022 Del Moral A45C 1/06
 D950,241 S * 5/2022 Tran D3/247
 D951,632 S * 5/2022 Tran D3/247
 11,337,498 B2 * 5/2022 Tran A45C 11/182
 11,425,976 B1 * 8/2022 Tran A45C 1/06
 D964,735 S * 9/2022 Zeng D3/247
 11,439,214 B2 * 9/2022 Tran B25F 1/006
 11,457,704 B2 * 10/2022 Hoffman A45C 1/06
 2002/0179463 A1 12/2002 Newman
 2014/0143958 A1 5/2014 Barr
 2015/0240524 A1 8/2015 Olroyd
 2017/0265610 A1 9/2017 Smith
 2020/0229557 A1 * 7/2020 Tran B25F 1/006
 2021/0112935 A1 * 4/2021 Tran B67B 7/16
 2021/0330045 A1 * 10/2021 Tran A45C 1/06
 2022/0225742 A1 * 7/2022 Tran A45C 1/06

OTHER PUBLICATIONS

Dango Products—A10 Adapt Wallet, video by YouTube user “Dango Products”, posted Jul. 15, 2020, youtube.com [online], [site visited May 17, 2022], Available at URL: <https://www.youtube.com/watch?v=EheKLMq84-8> (Year: 2020).*

Dango Products, “Wallet Collections”, Web page <URL: www.dangoproducts.com/collections/wallets>, Oct. 19, 2017, Retrieved from Internet Archive Wayback Machine <URL: <https://web.archive.org/web/20171019082039/www.dangoproducts.com/collections/wallets>> on Oct. 23, 2020.

* cited by examiner

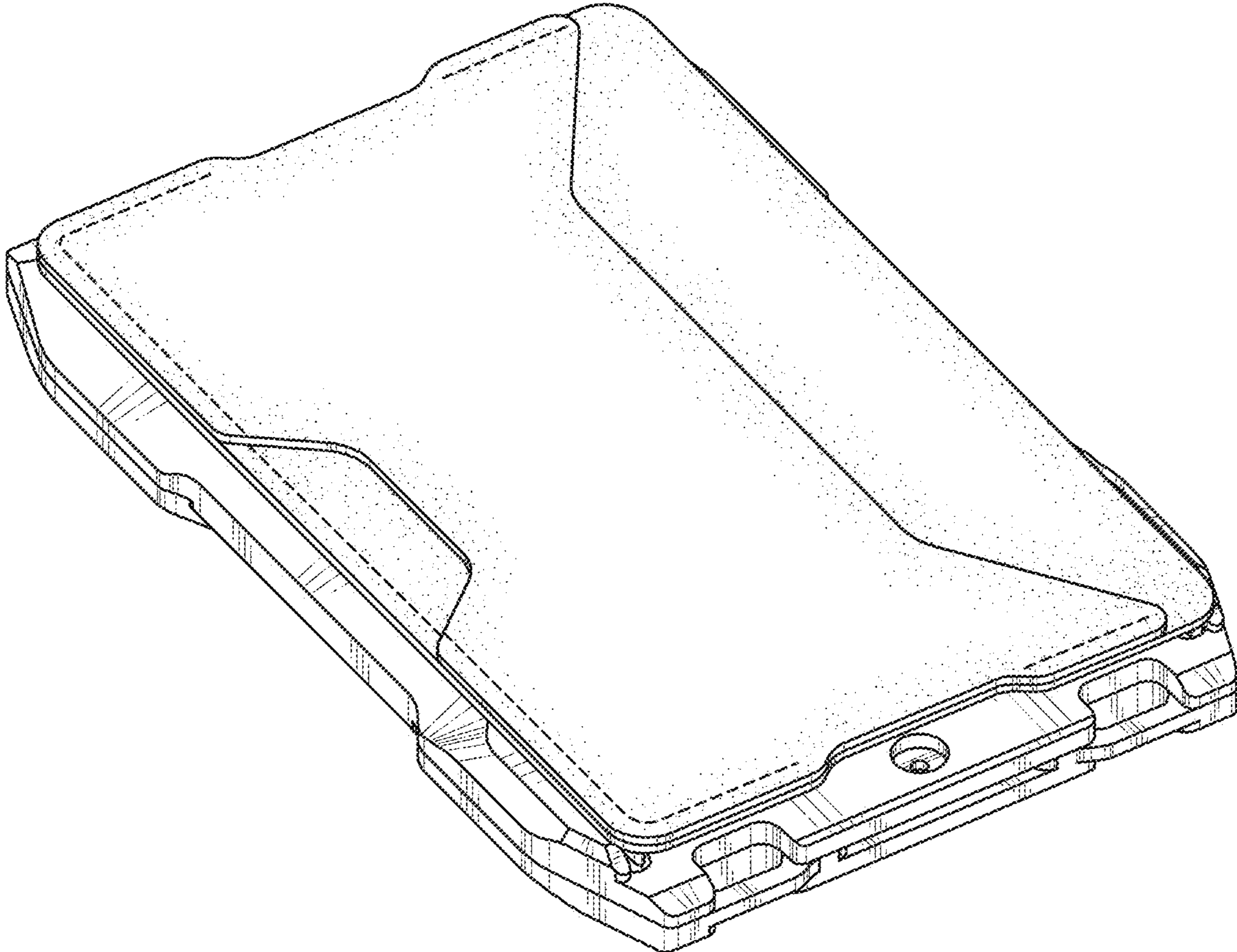


FIG. 1

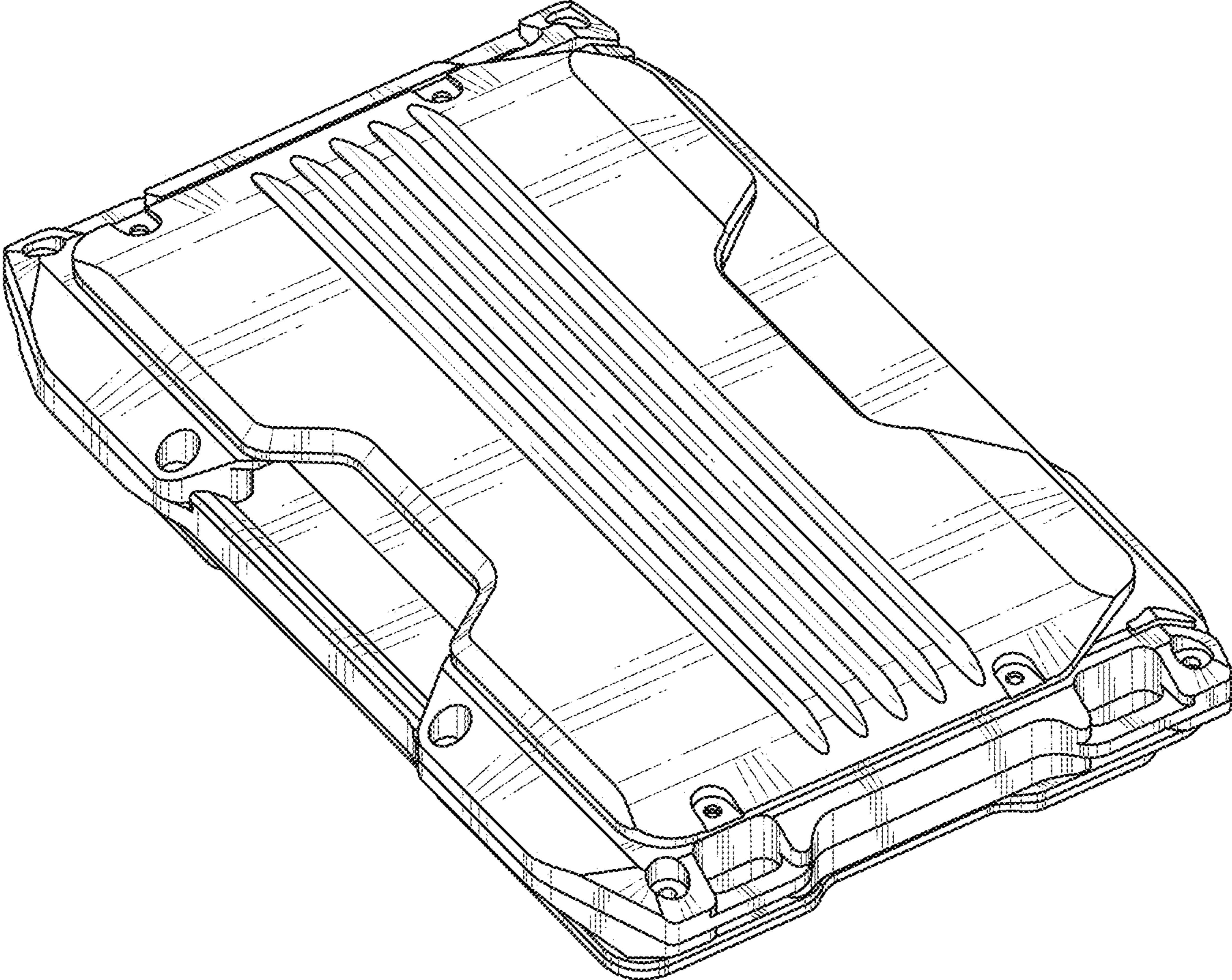


FIG. 2

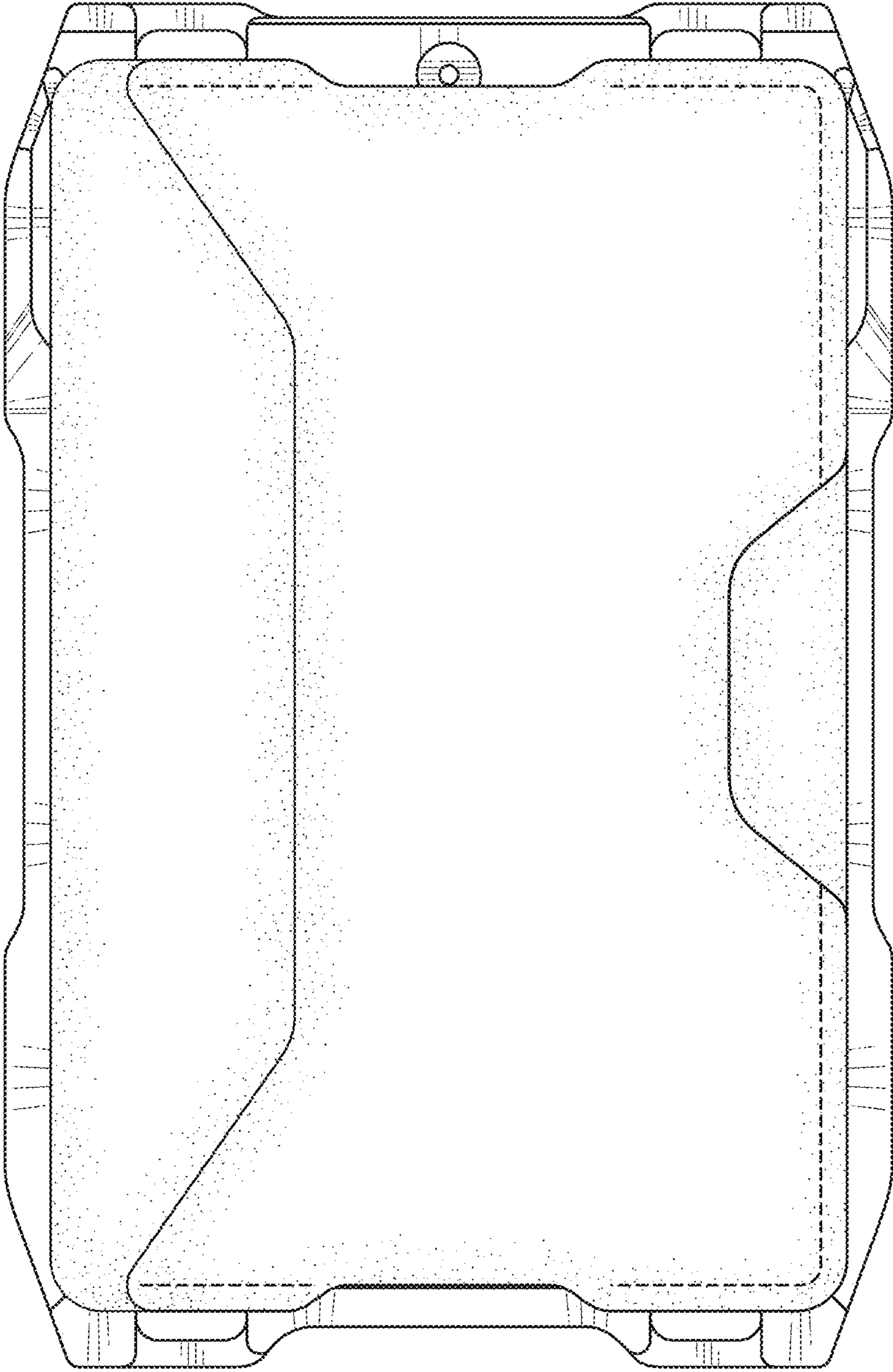


FIG. 3

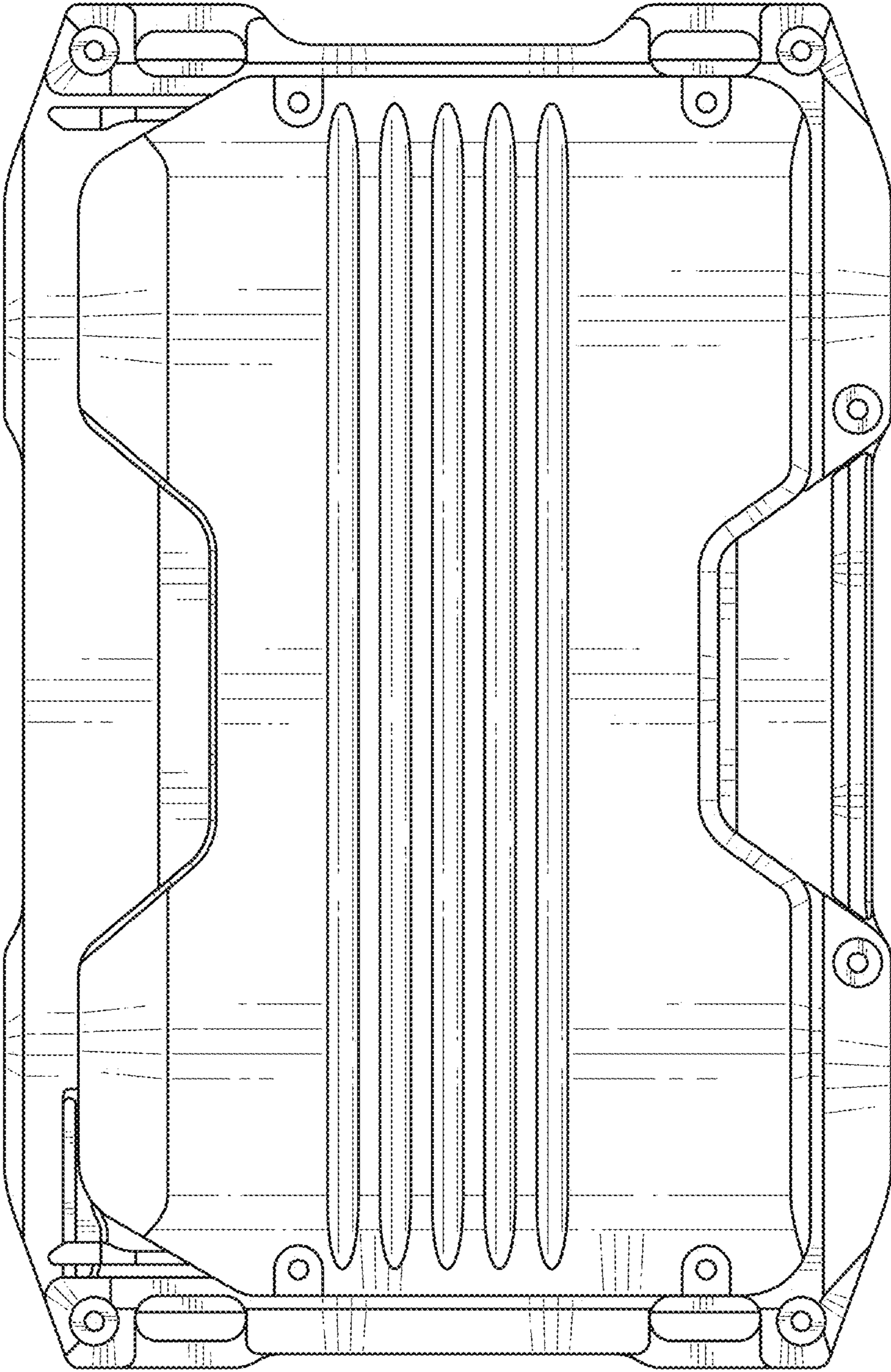


FIG. 4

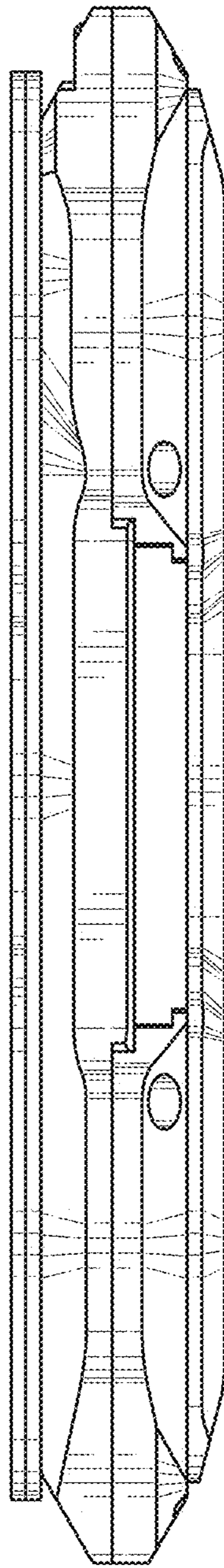


FIG. 5

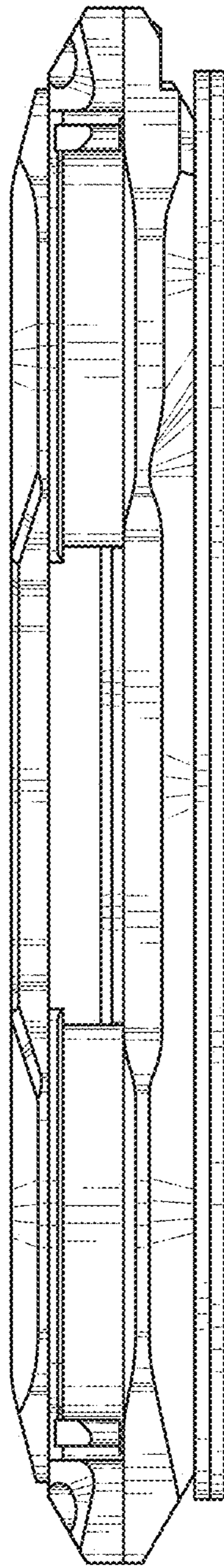


FIG. 6



FIG. 7

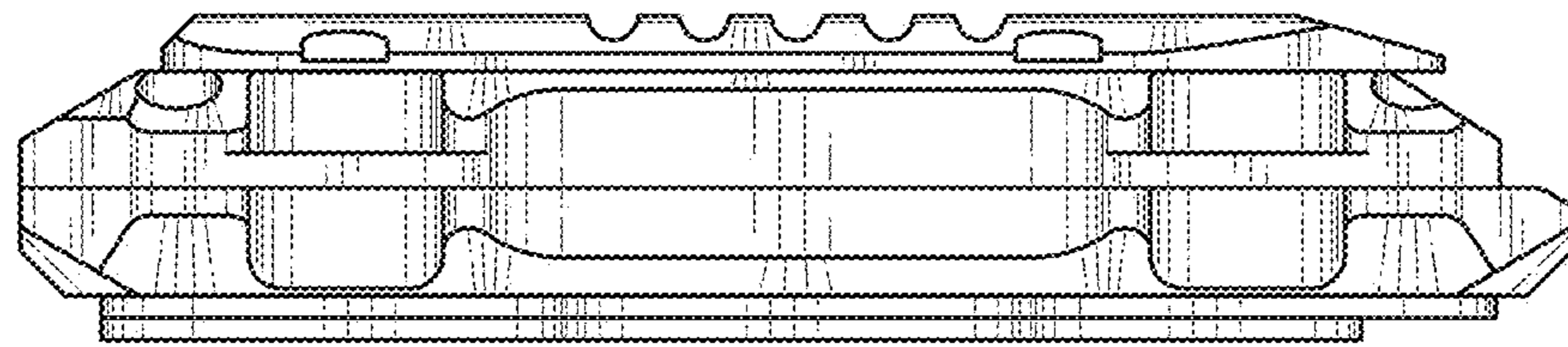


FIG. 8

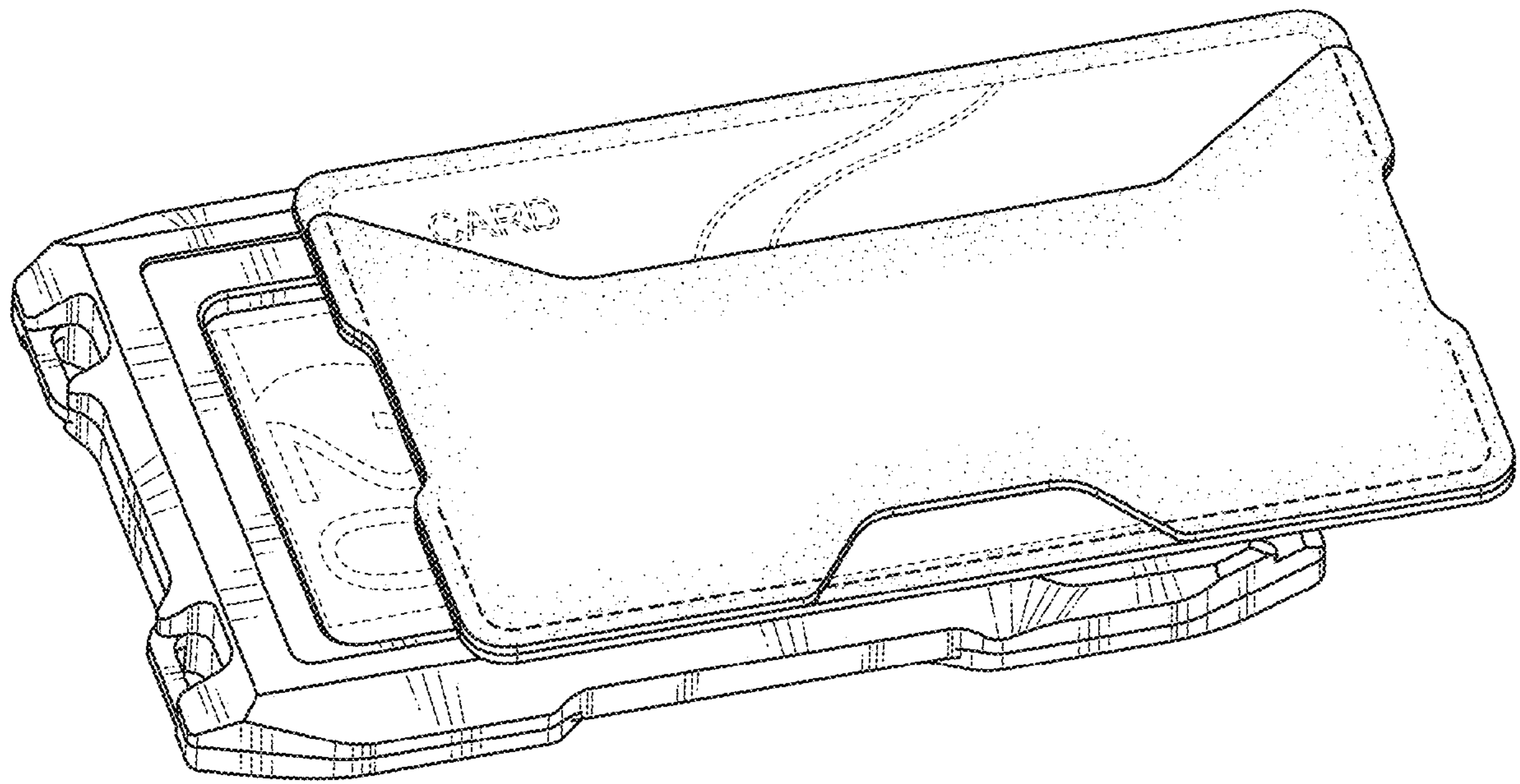


FIG. 9



FIG. 10