



US00D972216S

(12) **United States Design Patent** (10) **Patent No.:** **US D972,216 S**
Skuhra (45) **Date of Patent:** **** Dec. 6, 2022**

(54) **HAIR CLIPPER**
(71) Applicant: **Andis Company**, Sturtevant, WI (US)
(72) Inventor: **Andrew A. Skuhra**, Racine, WI (US)
(73) Assignee: **Andis Company**, Sturtevant, WI (US)
(**) Term: **15 Years**
(21) Appl. No.: **29/740,770**
(22) Filed: **Jul. 7, 2020**

D435,694 S 12/2000 Lebherz
D435,936 S 1/2001 Long et al.
6,742,262 B2 6/2004 Rizzuto, Jr. et al.
D497,452 S 10/2004 Nielsen et al.
D500,392 S 12/2004 Buck, Jr. et al.
7,018,142 B2 3/2006 Cooper
D522,693 S 6/2006 Rizzuto, Jr. et al.
D534,689 S 1/2007 Gross et al.
7,190,890 B2 3/2007 Higham et al.
D568,542 S 5/2008 Long et al.
D571,504 S 6/2008 Long et al.

(Continued)

FOREIGN PATENT DOCUMENTS

WO WO2017174679 10/2017

Primary Examiner — Jennifer Rivard

(74) *Attorney, Agent, or Firm* — Reinhart Boerner Van Deuren s.c.

Related U.S. Application Data
(62) Division of application No. 29/648,856, filed on May 24, 2018, now Pat. No. Des. 893,103, which is a division of application No. 29/573,746, filed on Aug. 9, 2016, now Pat. No. Des. 821,652.
(51) **LOC (13) Cl.** **28-03**
(52) **U.S. Cl.**
USPC **D28/54**
(58) **Field of Classification Search**
USPC D28/54, 53
CPC B26B 19/10-107; B26B 19/20-22; B26B 19/3853; B26B 19/386; B26B 19/06-08; B26B 19/00-048
See application file for complete search history.

(57) **CLAIM**

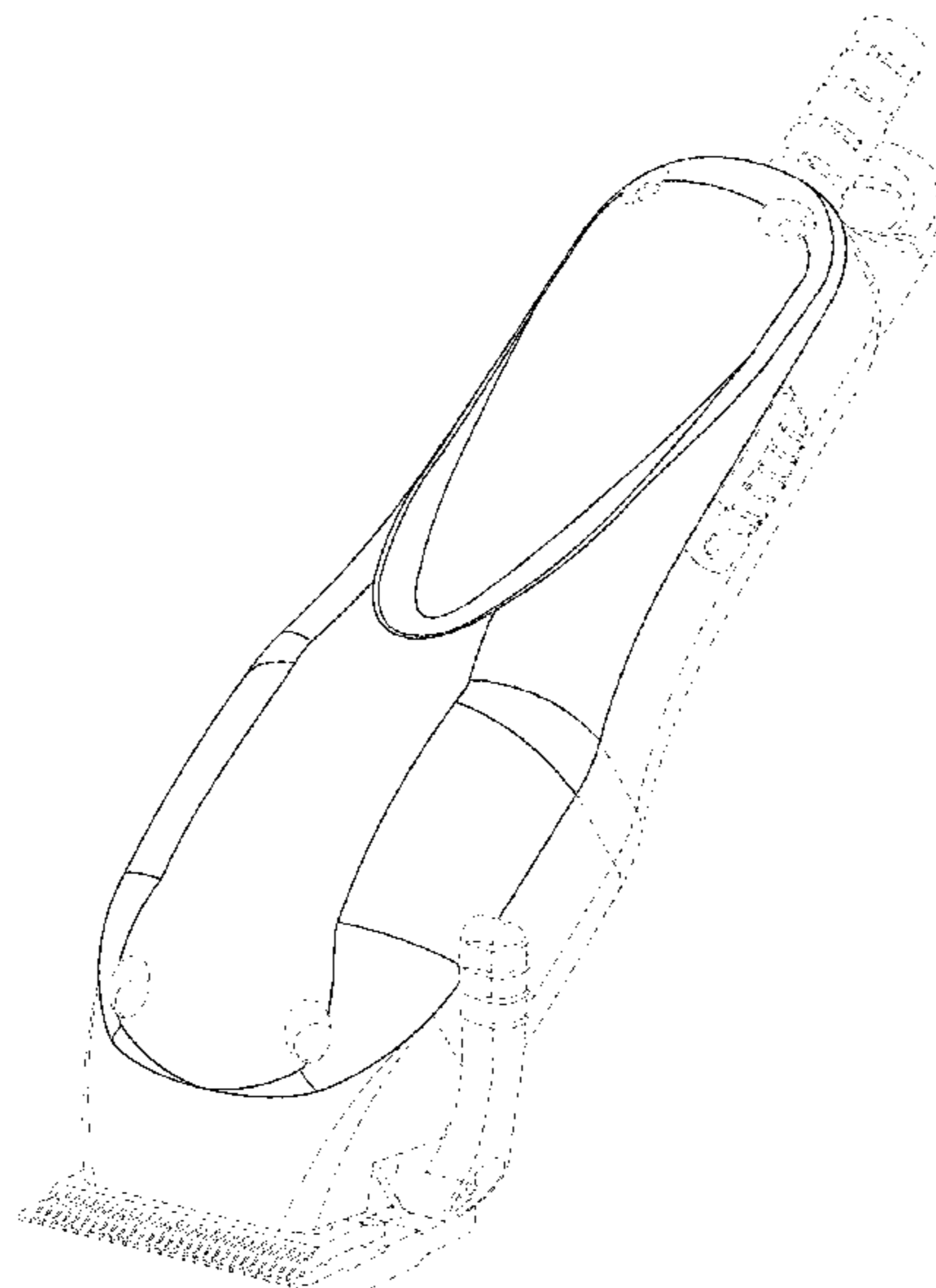
I claim the ornamental design for a hair clipper, as shown and described.

DESCRIPTION

FIG. 1 is a perspective view of a hair clipper according to an embodiment showing the new design;
FIG. 2 is an elevation view of a first side of the embodiment shown in FIG. 1;
FIG. 3 is an elevation view of a second side of the embodiment shown in FIG. 1;
FIG. 4 is a top view of the embodiment shown in FIG. 1;
FIG. 5 is a bottom view of the embodiment shown FIG. 1;
FIG. 6 is an elevation view of a first end of the embodiment shown in FIG. 1; and,
FIG. 7 is an elevation view of a second end of the embodiment shown in FIG. 1.
The broken lines illustrate portions of the hair clipper and form no part of the claimed design.

(56) **References Cited**
U.S. PATENT DOCUMENTS
2,748,472 A 6/1956 Sheley et al.
2,789,347 A 4/1957 Wahl et al.
D192,424 S 3/1962 Myers et al.
3,589,007 A 6/1971 Walton
3,858,383 A 1/1975 Glover
D339,213 S 9/1993 Wahl et al.
D348,543 S 7/1994 Melton
D364,483 S 11/1995 Elston
5,731,646 A 3/1998 Heinze et al.
D405,924 S 2/1999 Lebherz

1 Claim, 6 Drawing Sheets



(56)

References Cited

U.S. PATENT DOCUMENTS

D577,865 S 9/2008 Long et al.
 D597,253 S 7/2009 Eddinger et al.
 D597,254 S 7/2009 Eddinger et al.
 D622,907 S 8/2010 Schwer et al.
 7,863,791 B2 1/2011 Hoyt
 8,192,179 B2 6/2012 Miller et al.
 8,276,694 B2 10/2012 Stervik et al.
 8,339,000 B2 12/2012 Bradfield
 D673,731 S 1/2013 Skuhra et al.
 D674,556 S 1/2013 Weinberg et al.
 D675,781 S 2/2013 Whittaker et al.
 D675,782 S 2/2013 Buck, Jr.
 D683,901 S 6/2013 Skuhra et al.
 D700,998 S 3/2014 Aulwes et al.
 D715,489 S 10/2014 Aulwes et al.
 D715,490 S 10/2014 Aulwes et al.
 D715,491 S 10/2014 Phillips et al.
 D720,887 S 1/2015 Gross
 D721,205 S 1/2015 Colle
 9,145,855 B2 9/2015 Linder et al.
 9,242,385 B2 1/2016 Erickson
 9,346,179 B2 5/2016 Ziegler et al.
 D758,665 S 6/2016 Skuhra
 D777,980 S 1/2017 Moeller et al.
 9,545,729 B2 1/2017 Buck, Jr. et al.
 D787,746 S 5/2017 Werner
 D790,132 S 6/2017 Aulwes et al.
 D790,133 S 6/2017 Aulwes et al.

D815,355 S 4/2018 Fleming et al.
 D819,890 S 6/2018 Gross
 D821,652 S 6/2018 Skuhra
 10,059,013 B2 8/2018 Skuhra
 D844,245 S 3/2019 Wu
 D846,192 S 4/2019 Wu
 D847,432 S 4/2019 Aulwes et al.
 D849,326 S 5/2019 Fleming et al.
 D851,834 S 6/2019 Peterson, Jr.
 D851,835 S 6/2019 Gross
 D893,103 S * 8/2020 Skuhra D28/54
 D910,918 S * 2/2021 Jiang D28/53
 D911,611 S * 2/2021 Jiang D28/53
 D911,612 S * 2/2021 Jiang D28/53
 D911,613 S * 2/2021 Jiang D28/53
 D911,614 S * 2/2021 Jiang D28/53
 D912,327 S * 3/2021 Jiang D28/53
 D912,328 S * 3/2021 Jiang D28/53
 D930,903 S * 9/2021 Zhuang D28/53
 D931,537 S * 9/2021 Werner D28/53
 D939,774 S * 12/2021 Jiang D28/53
 2003/0051346 A1 3/2003 McCambridge et al.
 2008/0250645 A1 10/2008 Tringali et al.
 2010/0031514 A1 2/2010 Kohn
 2011/0232106 A1 9/2011 Andrews et al.
 2013/0188318 A1 7/2013 I et al.
 2015/0013172 A1 1/2015 Shaffer
 2015/0069862 A1 3/2015 Bulatow
 2015/0282878 A1 10/2015 Kindermann et al.
 2017/0305020 A1 10/2017 Darwinkel et al.

* cited by examiner

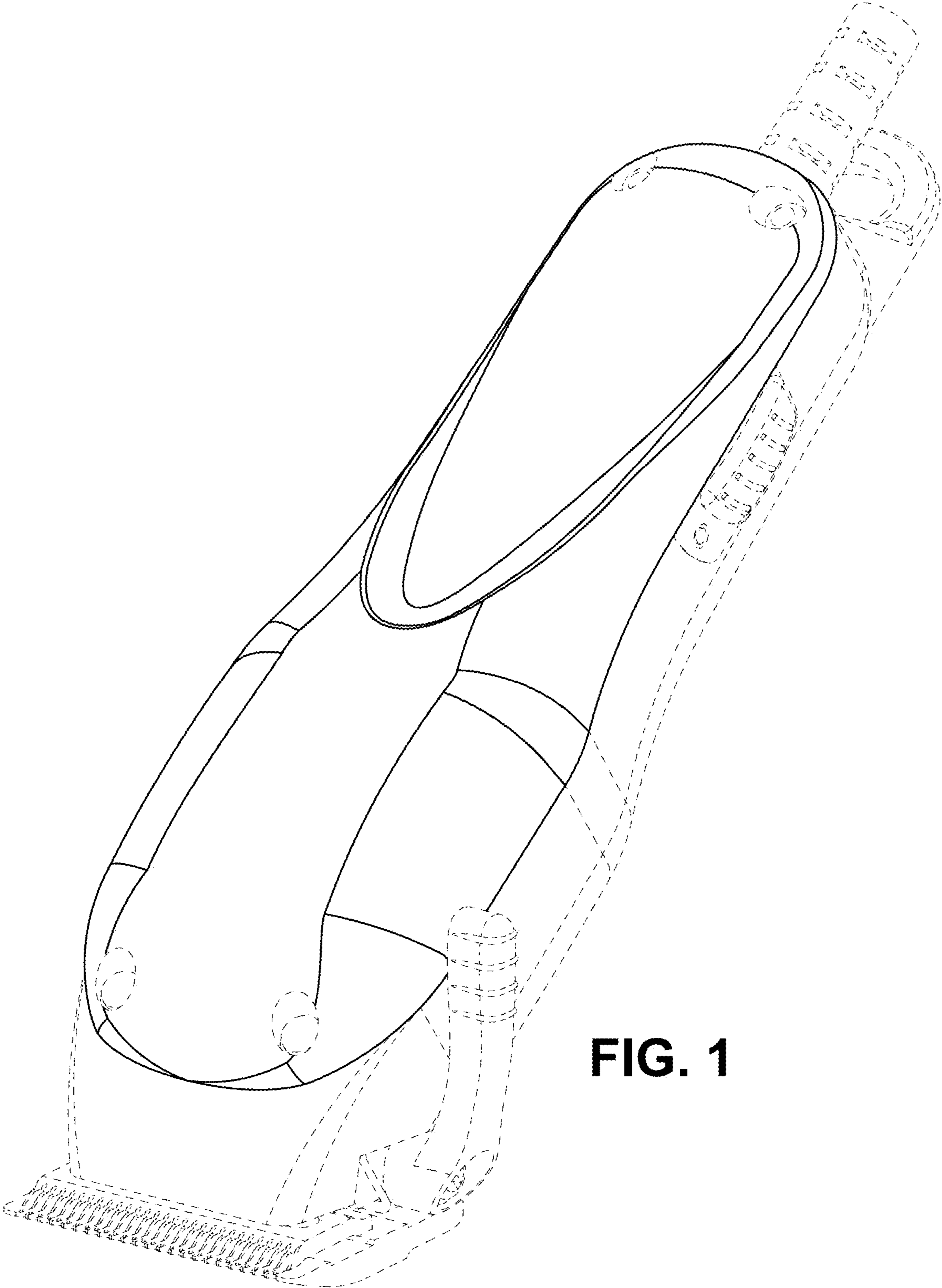


FIG. 1

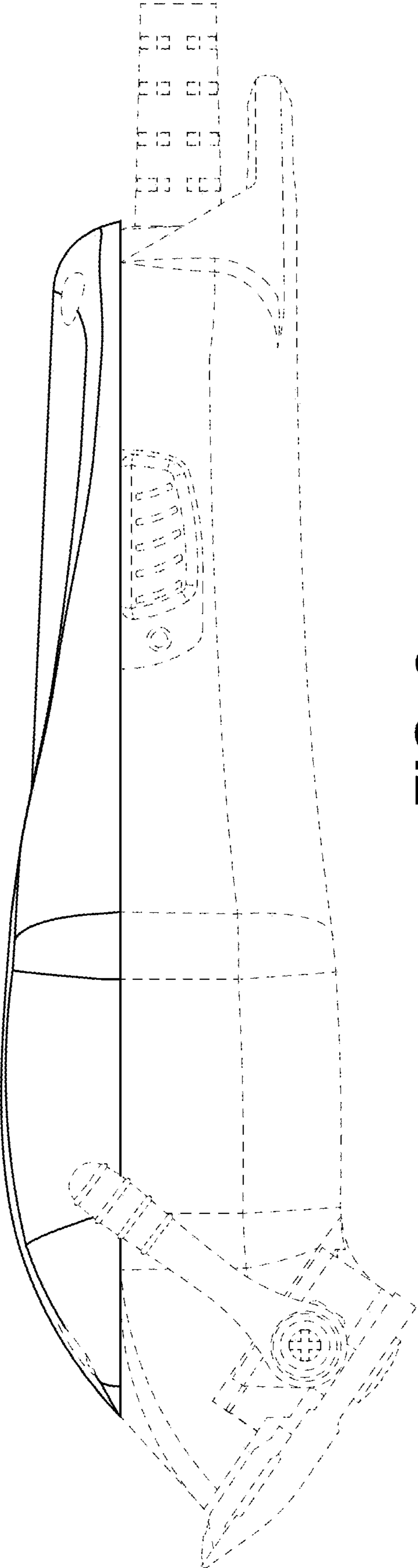


FIG. 2

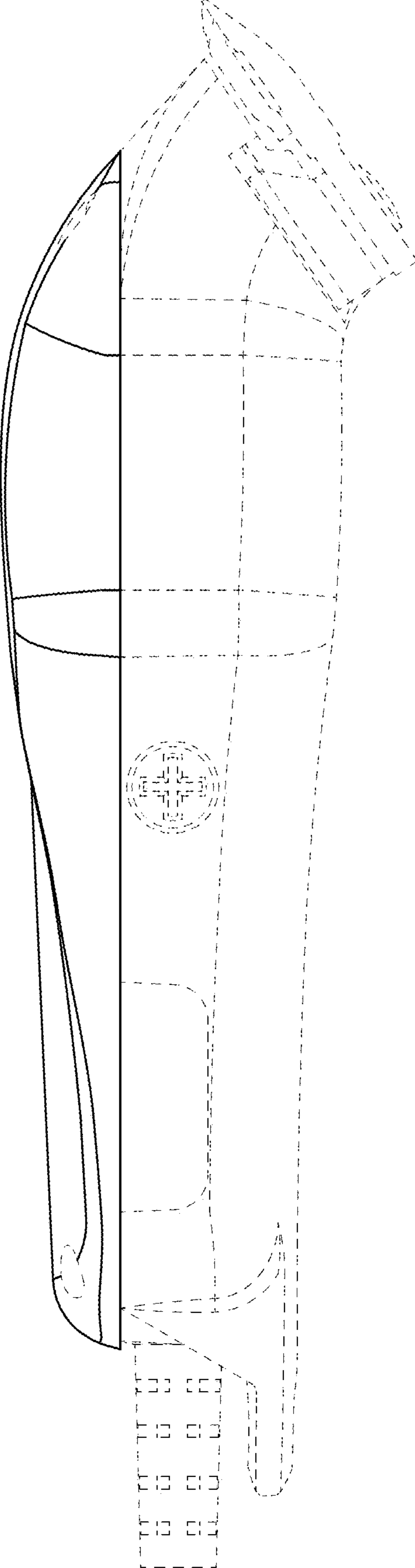


FIG. 3

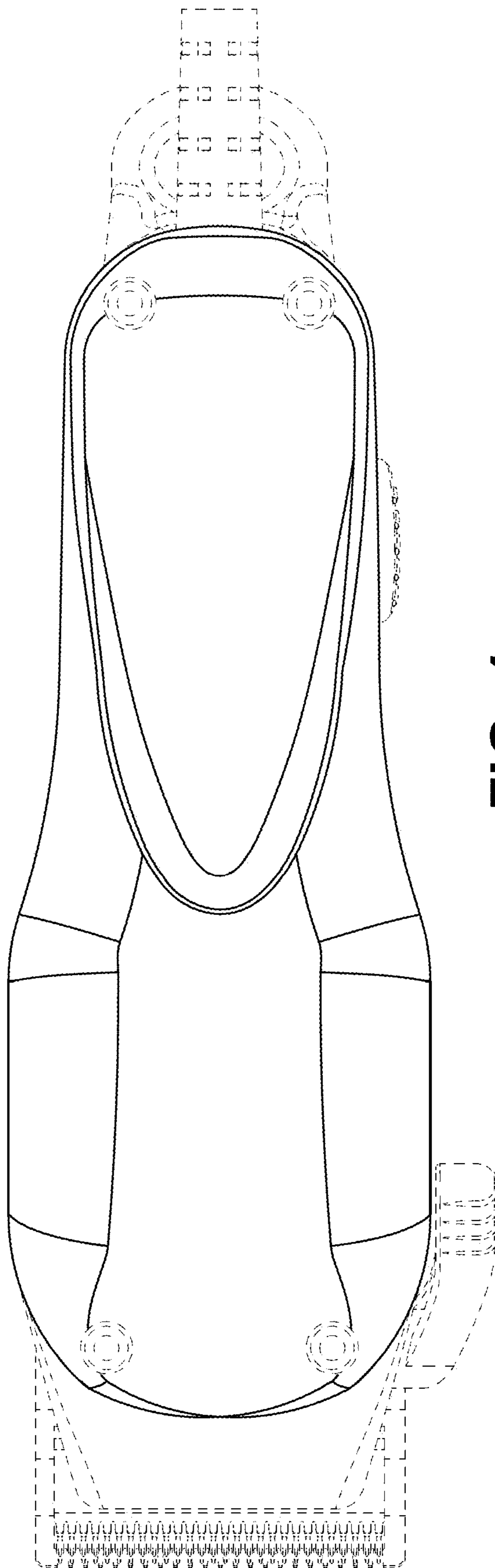


FIG. 4

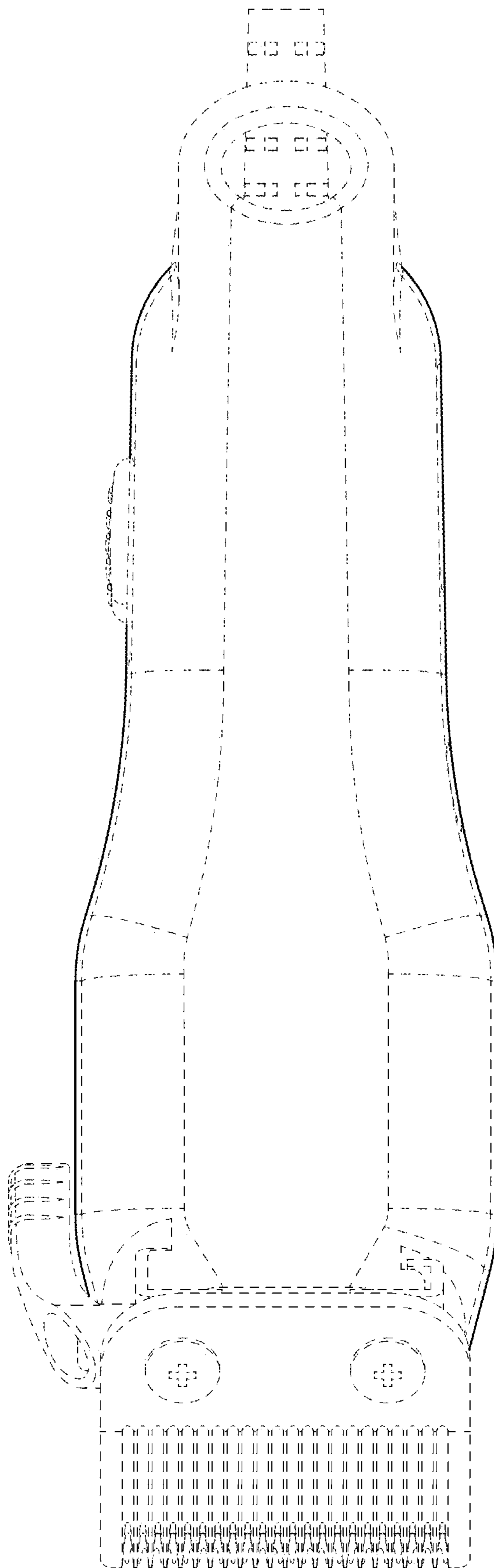


FIG. 5

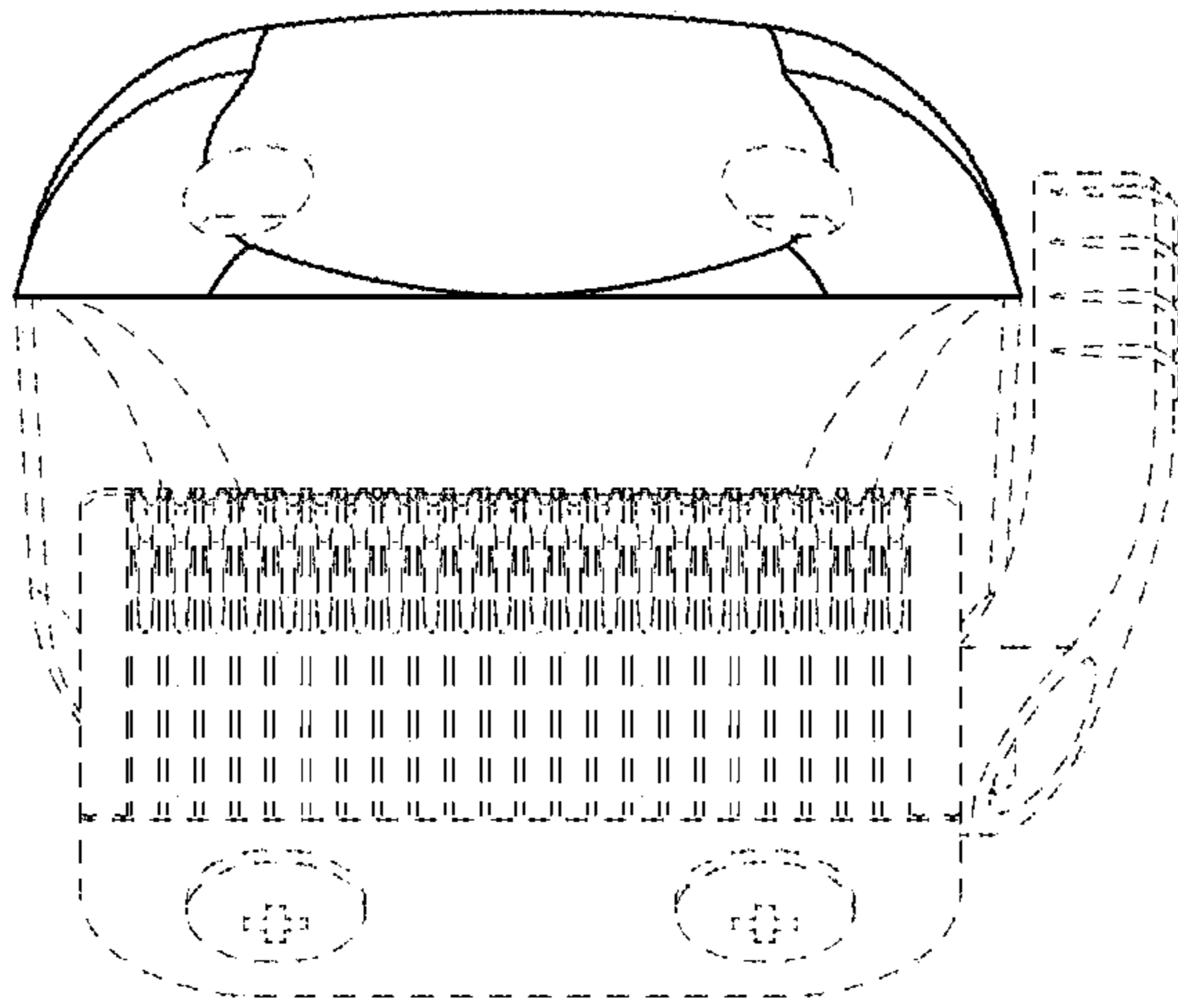


FIG. 6

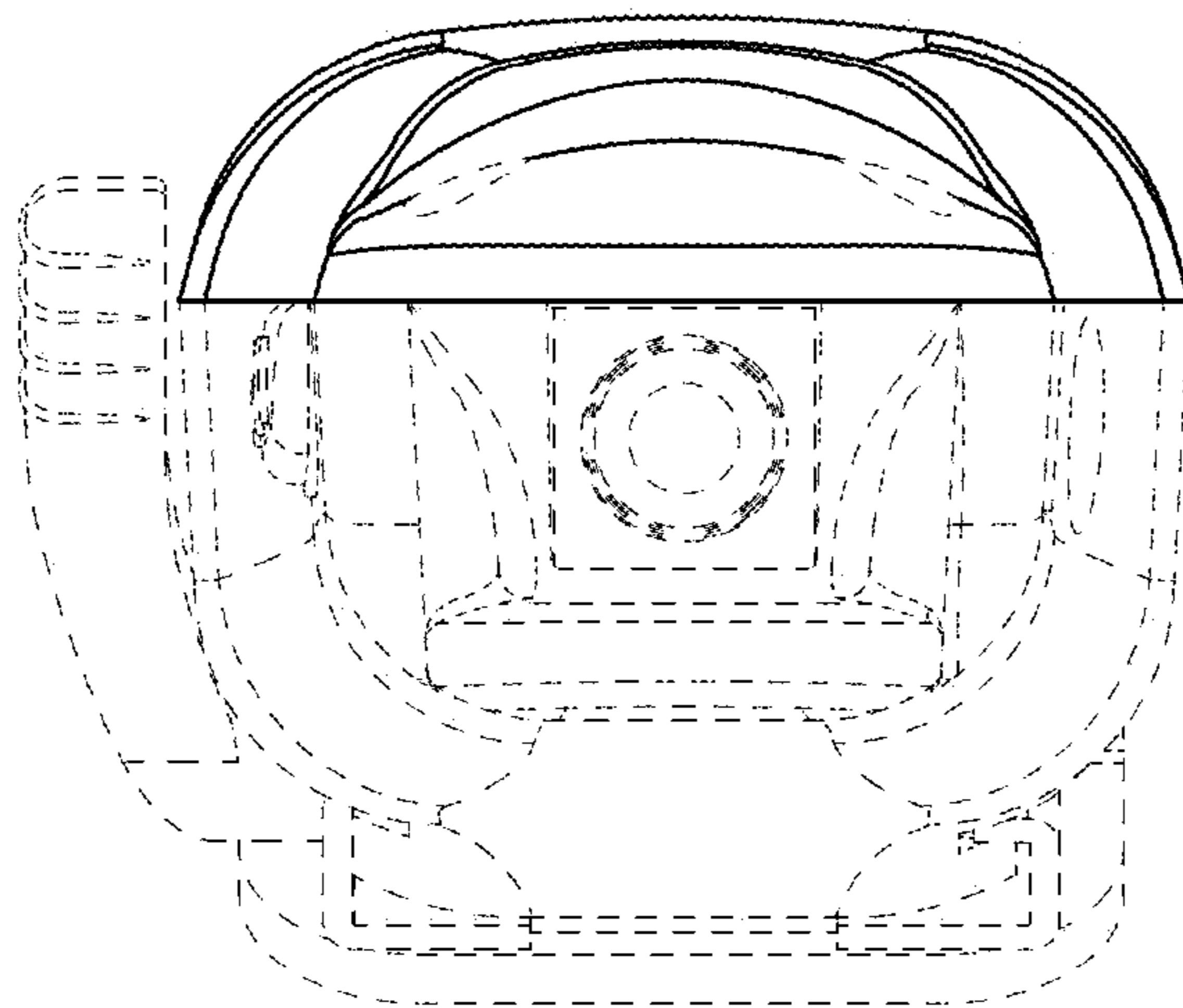


FIG. 7