



US00D968195S

(12) **United States Design Patent**
Luebeck

(10) **Patent No.:** **US D968,195 S**
(45) **Date of Patent:** **** Nov. 1, 2022**

(54) **WIRELESS DOOR LOCK ROSETTE**

(71) Applicant: **Carrier Corporation**, Palm Beach Gardens, FL (US)
(72) Inventor: **Jon Marc Luebeck**, Stayton, OR (US)
(73) Assignee: **Carrier Corporation**, Palm Beach Gardens, FL (US)
(**) Term: **15 Years**

(21) Appl. No.: **29/738,221**

(22) Filed: **Jun. 16, 2020**

(51) **LOC (13) Cl.** **11-05**

(52) **U.S. Cl.**
USPC **D8/352; D8/343**

(58) **Field of Classification Search**
USPC D8/343, 350, 352
CPC E05B 15/002; E05B 15/1614; E05B 2015/1657; E05B 3/06; E05B 3/00; E05B 37/00; E05B 17/00; E05B 17/0012; E05B 13/00; E05B 13/101; E05B 13/106; E05B 13/04; E05B 13/002; E05B 55/06; E05B 47/0676; E05B 9/002; E05B 9/004; E05C 1/10; Y10T 70/8568

See application file for complete search history.

(56) **References Cited**

U.S. PATENT DOCUMENTS

7,066,507	B2 *	6/2006	Don	E05B 9/08 292/169
D539,115	S *	3/2007	Hanna	D8/343
D582,252	S *	12/2008	Cameron	D8/343
D635,442	S *	4/2011	Roberts, III et al.	D8/352
D703,026	S *	4/2014	Wu	D8/350
8,960,740	B2 *	2/2015	Huang	E05B 15/02 292/347
D738,186	S *	9/2015	Nadgouda	D8/331
9,834,955	B2 *	12/2017	Ludwig	E05B 3/08
10,145,143	B1 *	12/2018	Mohammed	E05B 47/0038
10,508,468	B2 *	12/2019	Murphy	E05B 15/0033
D881,679	S *	4/2020	Huang	D8/350

OTHER PUBLICATIONS

Design U.S. Appl. No. 29/705,607, filed Sep. 13, 2019, Title: Wireless Door Lock Rosette.
Design U.S. Appl. No. 29/705,613, filed Sep. 13, 2019, Title: Door Hardware Set.
Design U.S. Appl. No. 29/705,616, filed Sep. 13, 2019, Title: Thumbturn for Door Lock.

* cited by examiner

Primary Examiner — Doris Clark

(74) *Attorney, Agent, or Firm* — Carlson, Gaskey & Olds, P.C.

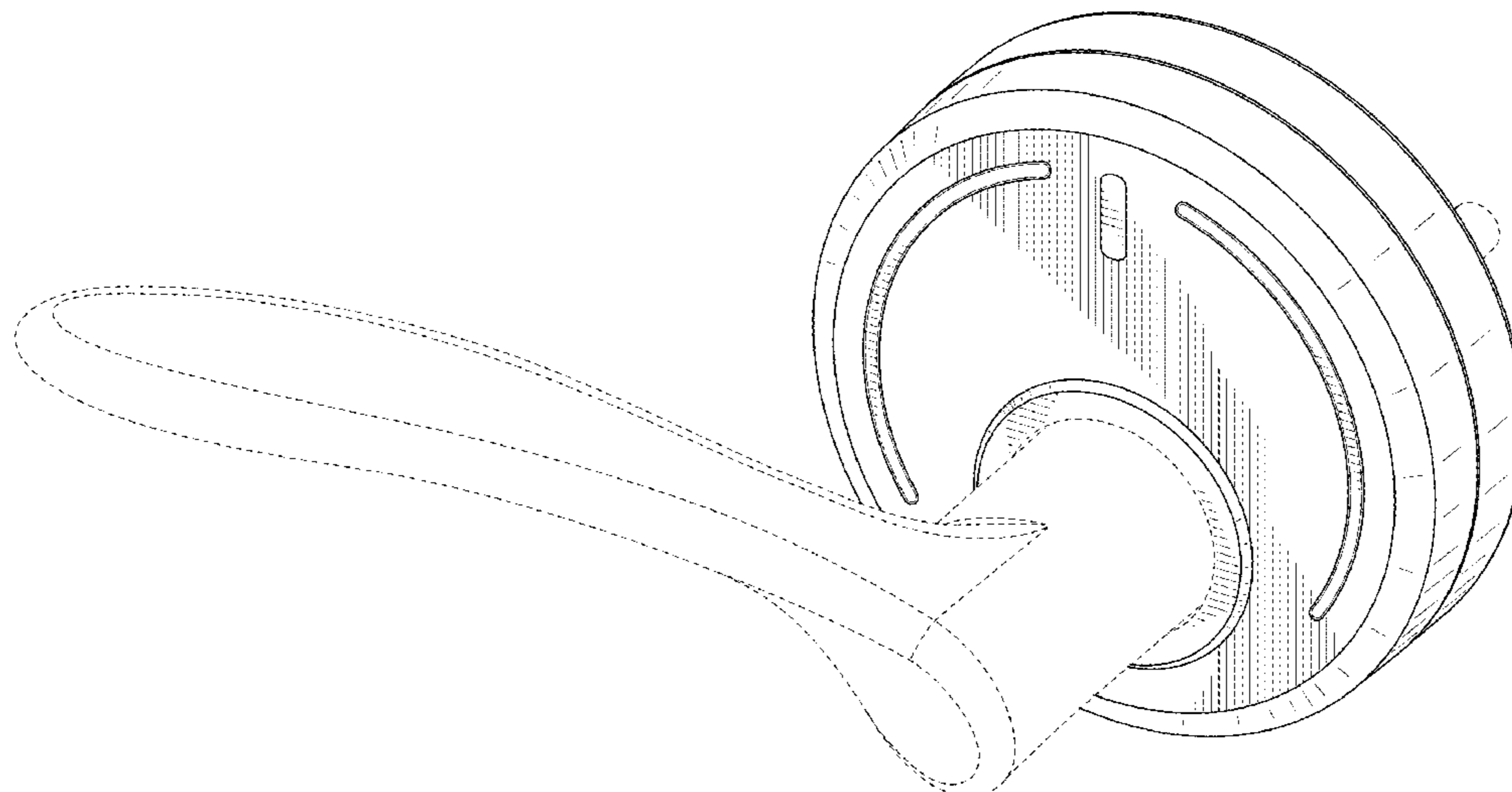
(57) **CLAIM**

I claim the ornamental design for a wireless door lock rosette, as shown and described.

DESCRIPTION

FIG. 1 is a front view of a wireless door lock rosette. FIG. 2 is a perspective view of the wireless door lock rosette of FIG. 1. FIG. 3 is a front view of the wireless door lock rosette of FIG. 1. FIG. 4 is a first side view of the wireless door lock rosette of FIG. 1. FIG. 5 is second side view of the wireless door lock rosette of FIG. 1 that is opposite the first side view of FIG. 4. FIG. 6 is a top view of the wireless door lock rosette of FIG. 1; and, FIG. 7 is bottom side view of the wireless door lock rosette of FIG. 1 that is opposite the view of FIG. 6. The broken lines showing a door handle assembly in the Figures are for illustrative purposes only and form no part of the claimed design. The shade lines in the Figures show contour or the flatness of a surface, and not surface ornamentation.

1 Claim, 7 Drawing Sheets



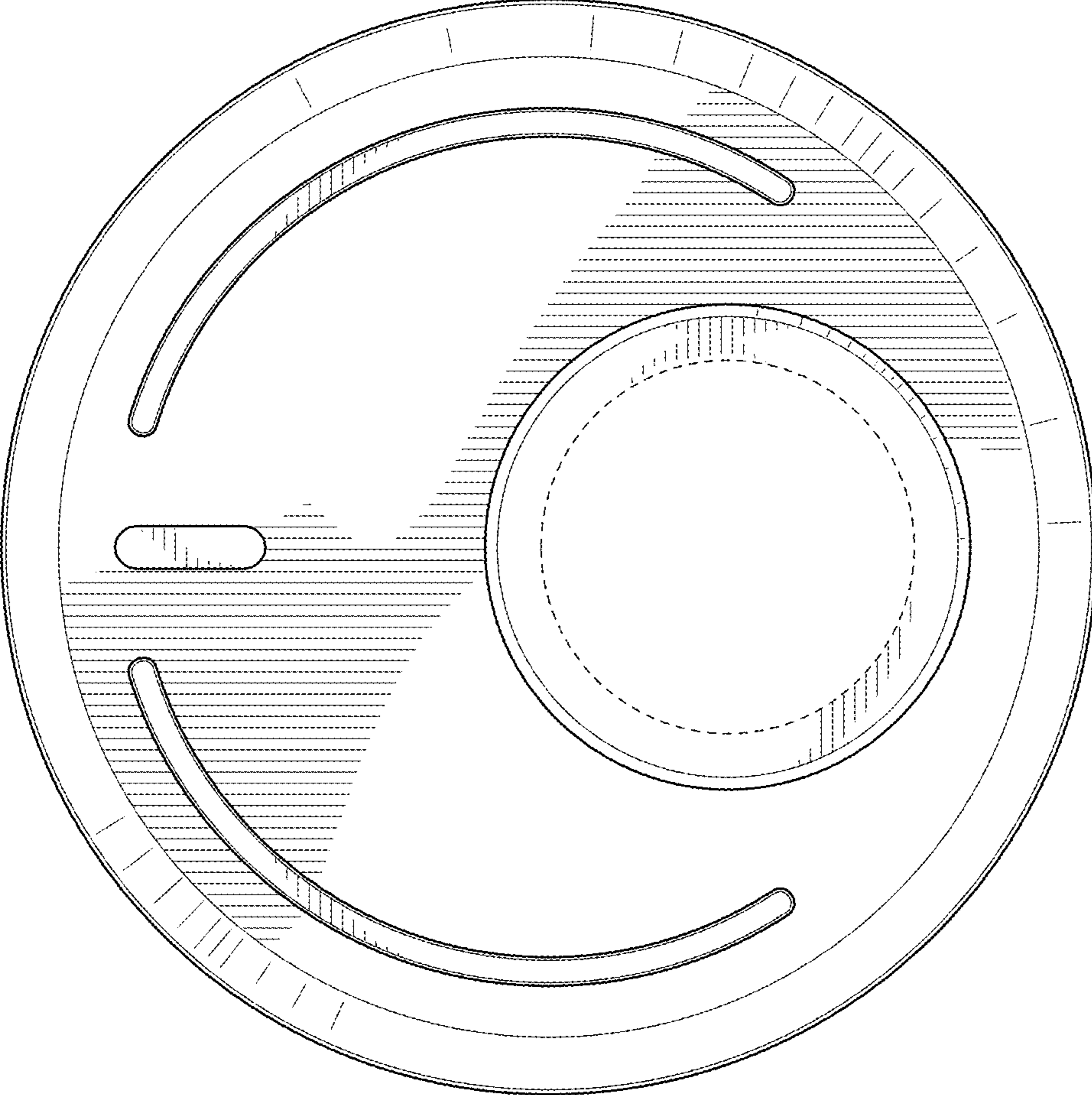


FIG. 1

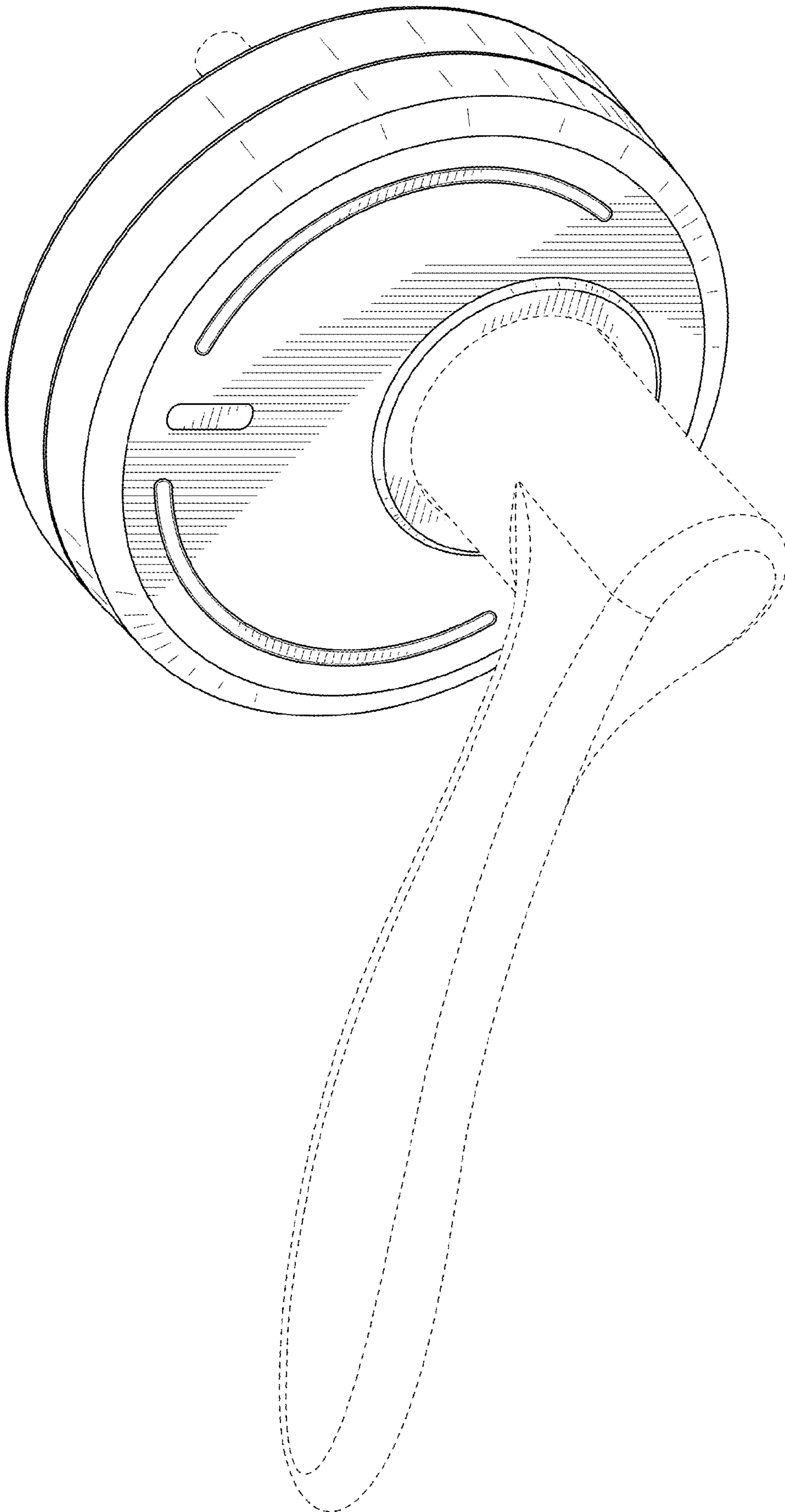


FIG. 2

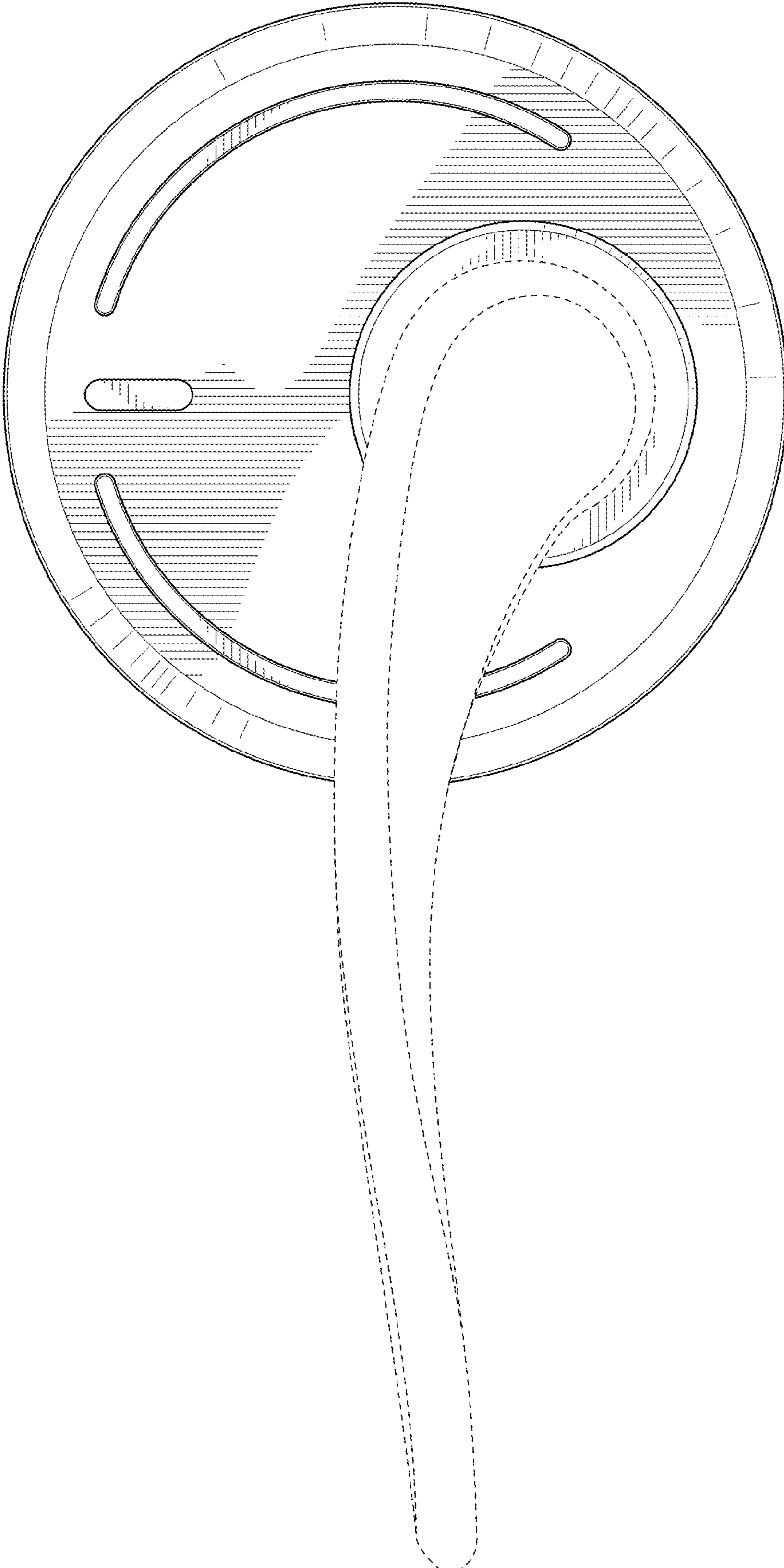


FIG. 3

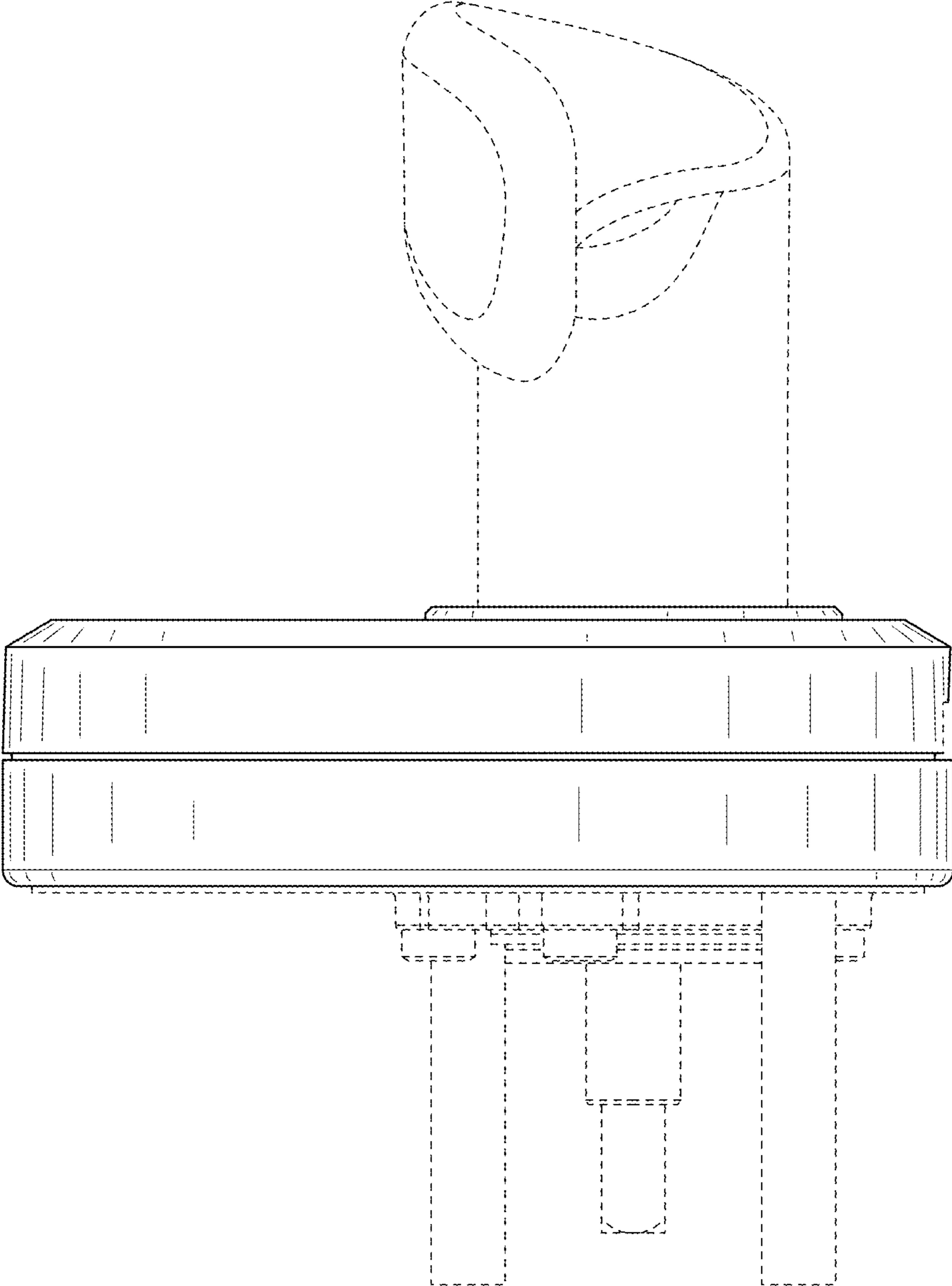


FIG. 4

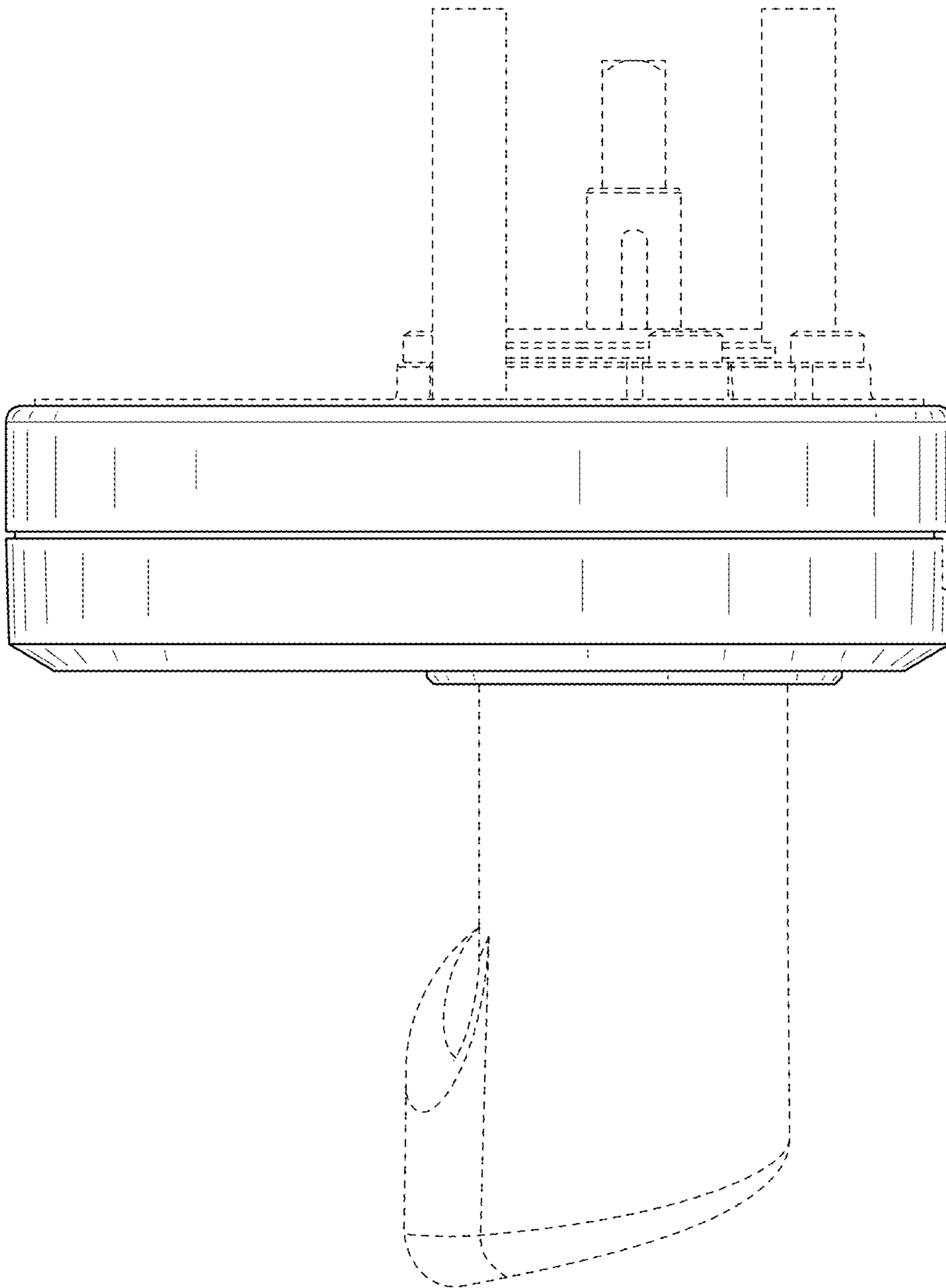


FIG. 5

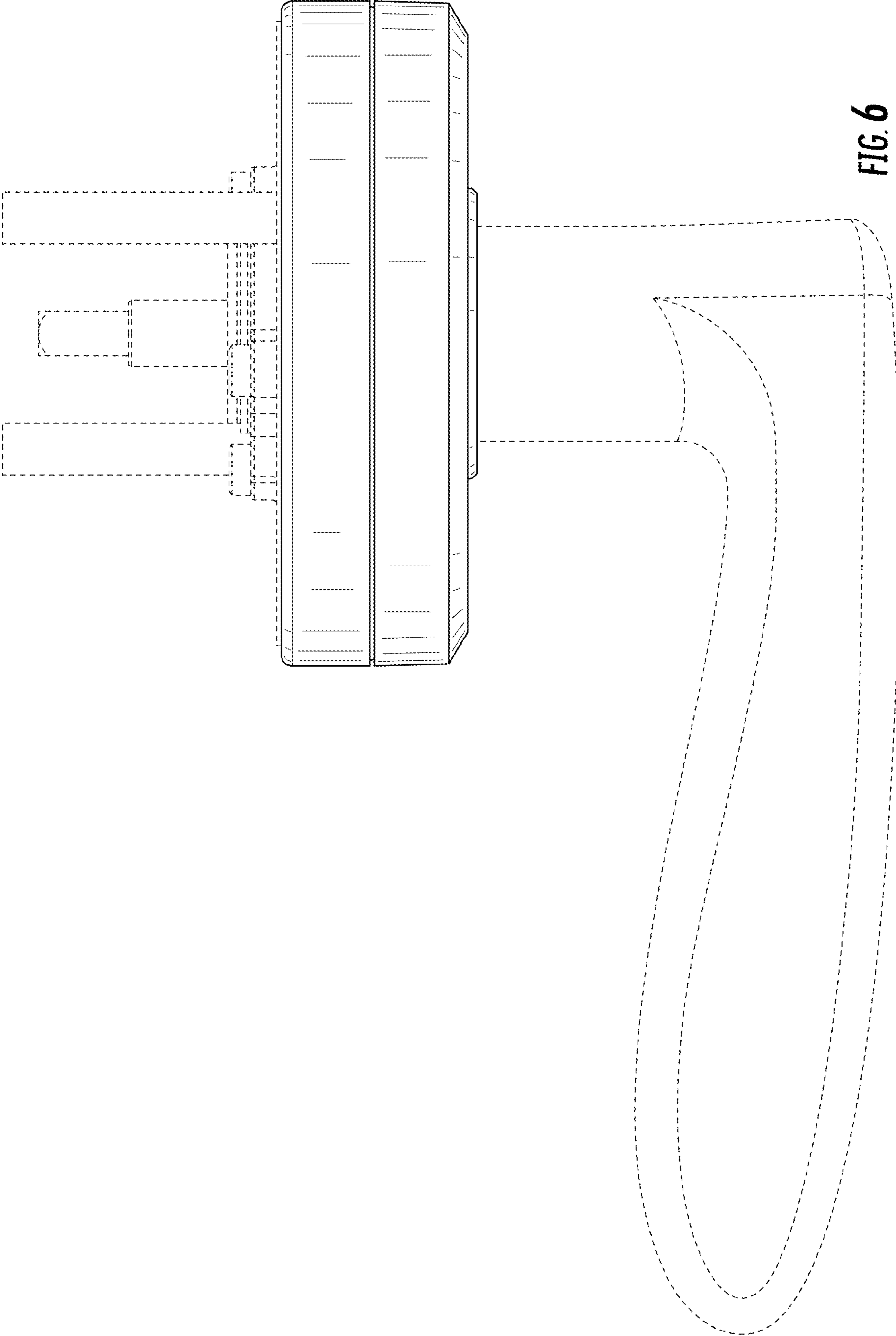


FIG. 6

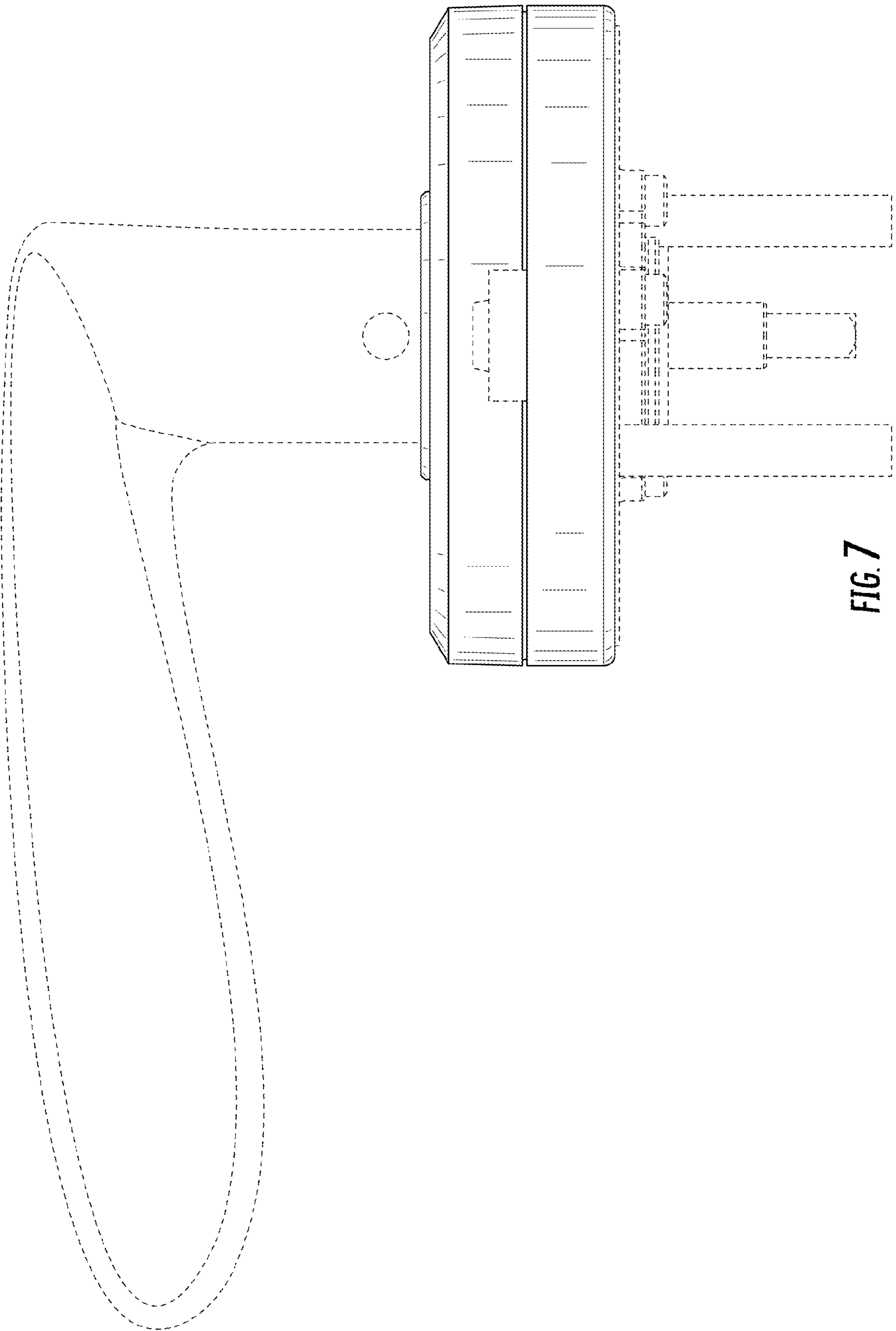


FIG. 7