



US00D952947S

(12) **United States Design Patent** (10) **Patent No.:** **US D952,947 S**
Marquez et al. (45) **Date of Patent:** **** May 24, 2022**

(54) **COMB FOR TRIMMER**
(71) Applicant: **KONINKLIJKE PHILIPS N.V.**,
Eindhoven (NL)
(72) Inventors: **Lacides Manuel Marquez**, Almere
Buiten (NL); **Pascal Kuijpers**,
Amsterdam (NL); **Maren Baake**,
Amsterdam (NL); **Ulrike Herremans**,
Eindhoven (NL)
(73) Assignee: **KONINKLIJKE PHILIPS N.V.**,
Eindhoven (NL)
(**) Term: **15 Years**
(21) Appl. No.: **29/711,429**
(22) Filed: **Oct. 31, 2019**
(30) **Foreign Application Priority Data**
May 2, 2019 (EM) 006414132-0002
(51) **LOC (13) Cl.** **28-03**
(52) **U.S. Cl.**
USPC **D28/54**
(58) **Field of Classification Search**
USPC D28/54
CPC .. B26B 19/3826; B26B 19/3886; B26B 19/20
See application file for complete search history.

(56) **References Cited**
U.S. PATENT DOCUMENTS
5,937,526 A * 8/1999 Wahl B26B 19/20
30/201
D559,456 S * 1/2008 Melton D28/54
D565,793 S * 4/2008 Wallace D28/54
D619,304 S * 7/2010 Shen D28/54
D620,196 S * 7/2010 Nicoll D28/47
D675,380 S * 1/2013 Yoon D28/54

D754,399 S * 4/2016 Andersson D28/54
D756,565 S * 5/2016 Andersson D28/54
D767,207 S * 9/2016 Dekliein D28/54
9,434,078 B2 * 9/2016 Julemont B26B 19/20
D776,349 S * 1/2017 Skye D28/54
D790,769 S * 6/2017 Drori D28/54
D791,410 S * 7/2017 Whittaker D28/54
10,011,029 B2 * 7/2018 Bellisario B26B 19/3893
10,029,377 B2 * 7/2018 Zijlstra B26B 19/3846
10,293,500 B1 * 5/2019 Baker B26B 19/20
D881,471 S * 4/2020 Zhang D28/54
10,946,537 B2 * 3/2021 Danmola B26B 19/20
11,027,441 B2 * 6/2021 Wevers B26B 19/388
2008/0066314 A1 * 3/2008 Rapold B26B 19/06
30/30
2008/0289192 A1 * 11/2008 Martelli B26B 19/3813
30/233.5
2008/0295340 A1 * 12/2008 Carlucci B26B 19/3813
30/199
2009/0113722 A1 * 5/2009 Werner B26B 19/3813
30/200
2011/0061243 A1 * 3/2011 Smit B26B 19/20
30/233.5
2017/0305020 A1 * 10/2017 Darwinkel B26B 19/3886
2018/0222068 A1 * 8/2018 Halmut B26B 19/44

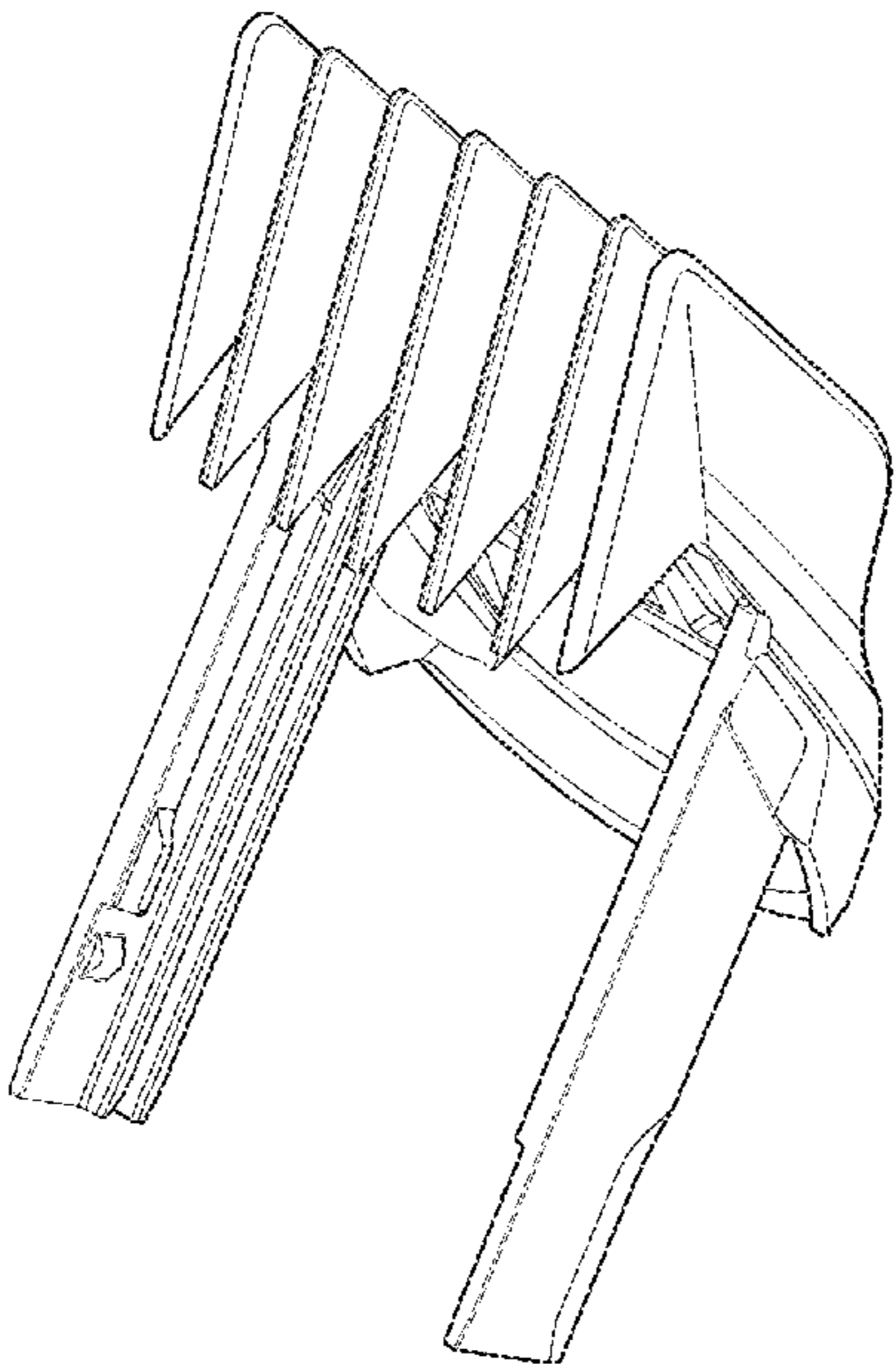
(Continued)

Primary Examiner — Jennifer Rivard

(57) **CLAIM**
The ornamental design for a comb for trimmer, as shown and described.

DESCRIPTION
FIG. 1 is a perspective view showing our design;
FIG. 2 is a front elevational view thereof;
FIG. 3 is a rear elevational view thereof;
FIG. 4 is a right side elevational view thereof;
FIG. 5 is a left side elevational view thereof;
FIG. 6 is a top plan view thereof; and,
FIG. 7 is a bottom plan view thereof.

1 Claim, 4 Drawing Sheets



(56)

References Cited

U.S. PATENT DOCUMENTS

2019/0009418 A1* 1/2019 Baltussen B26B 19/20
2020/0094425 A1* 3/2020 Iaccarino B26B 19/20

* cited by examiner

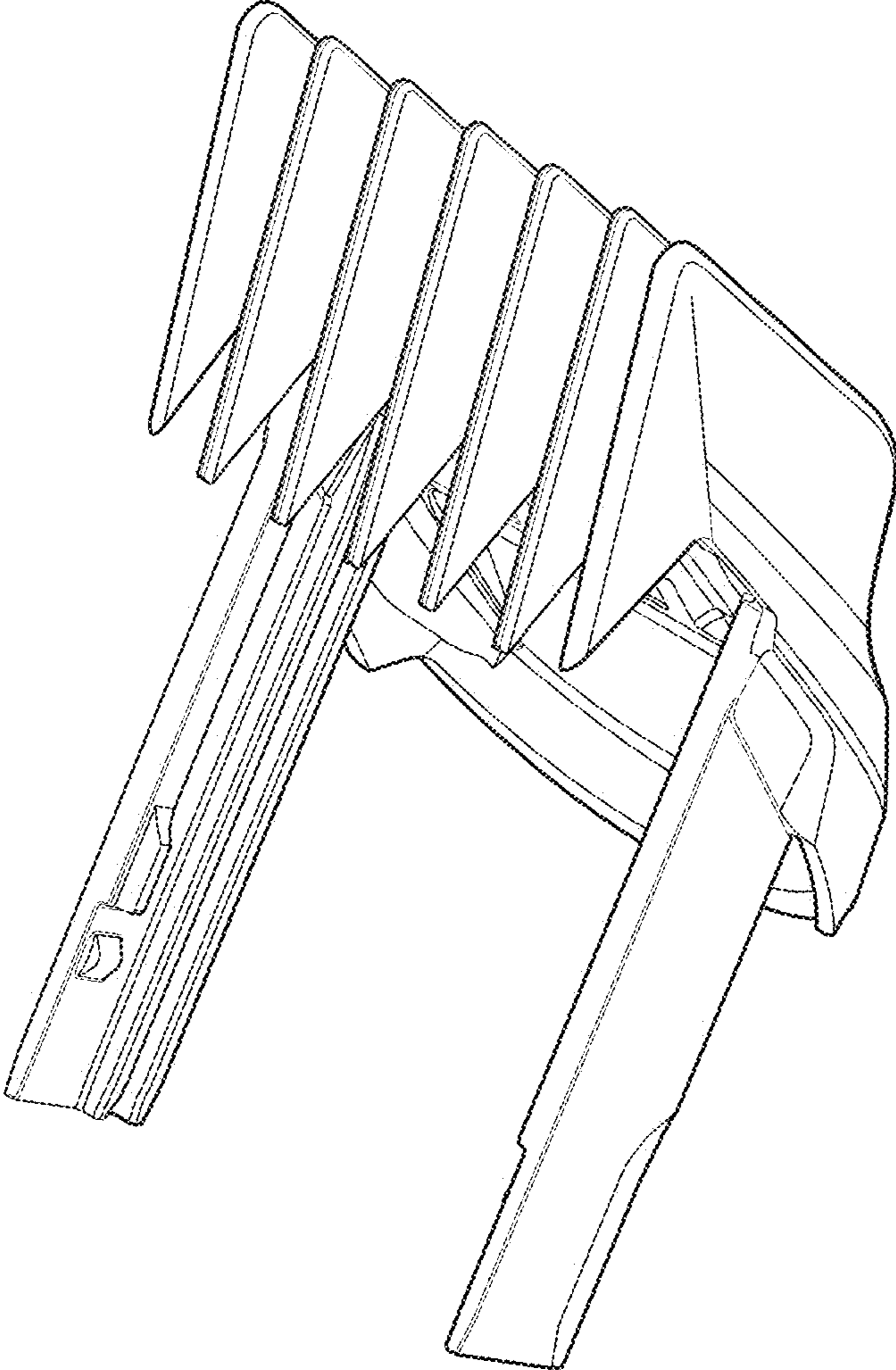


FIG. 1

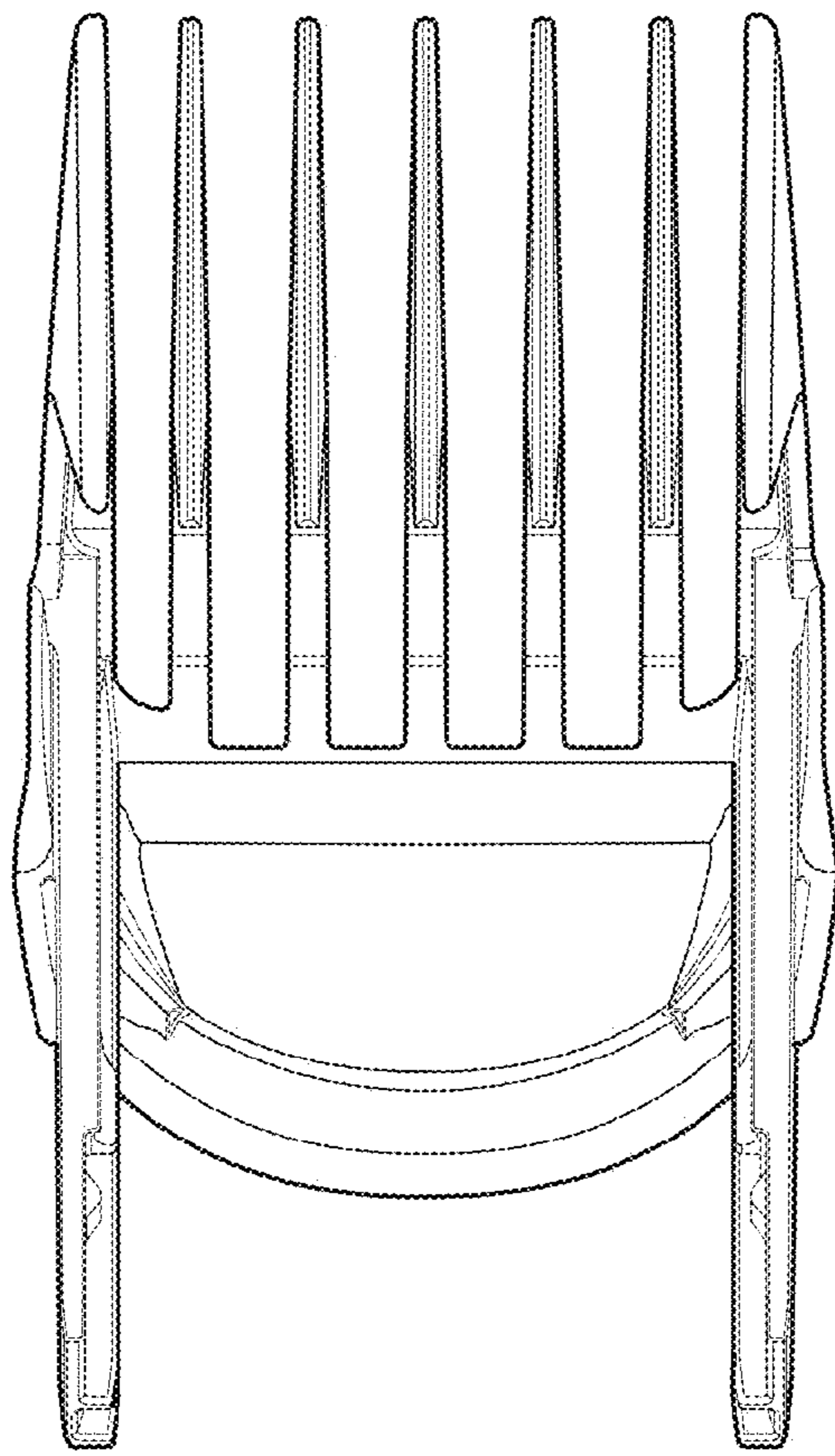


FIG. 2

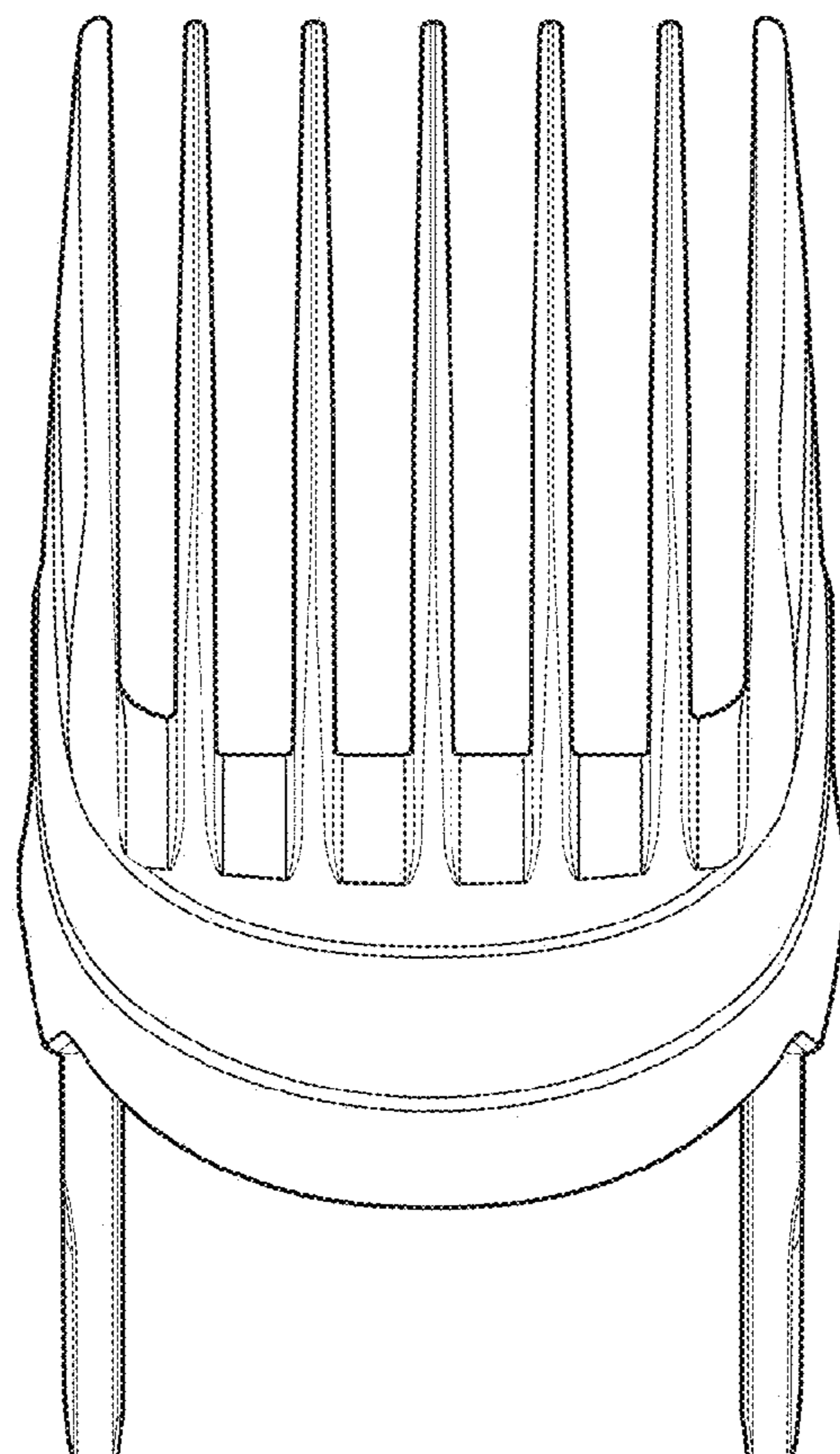


FIG. 3

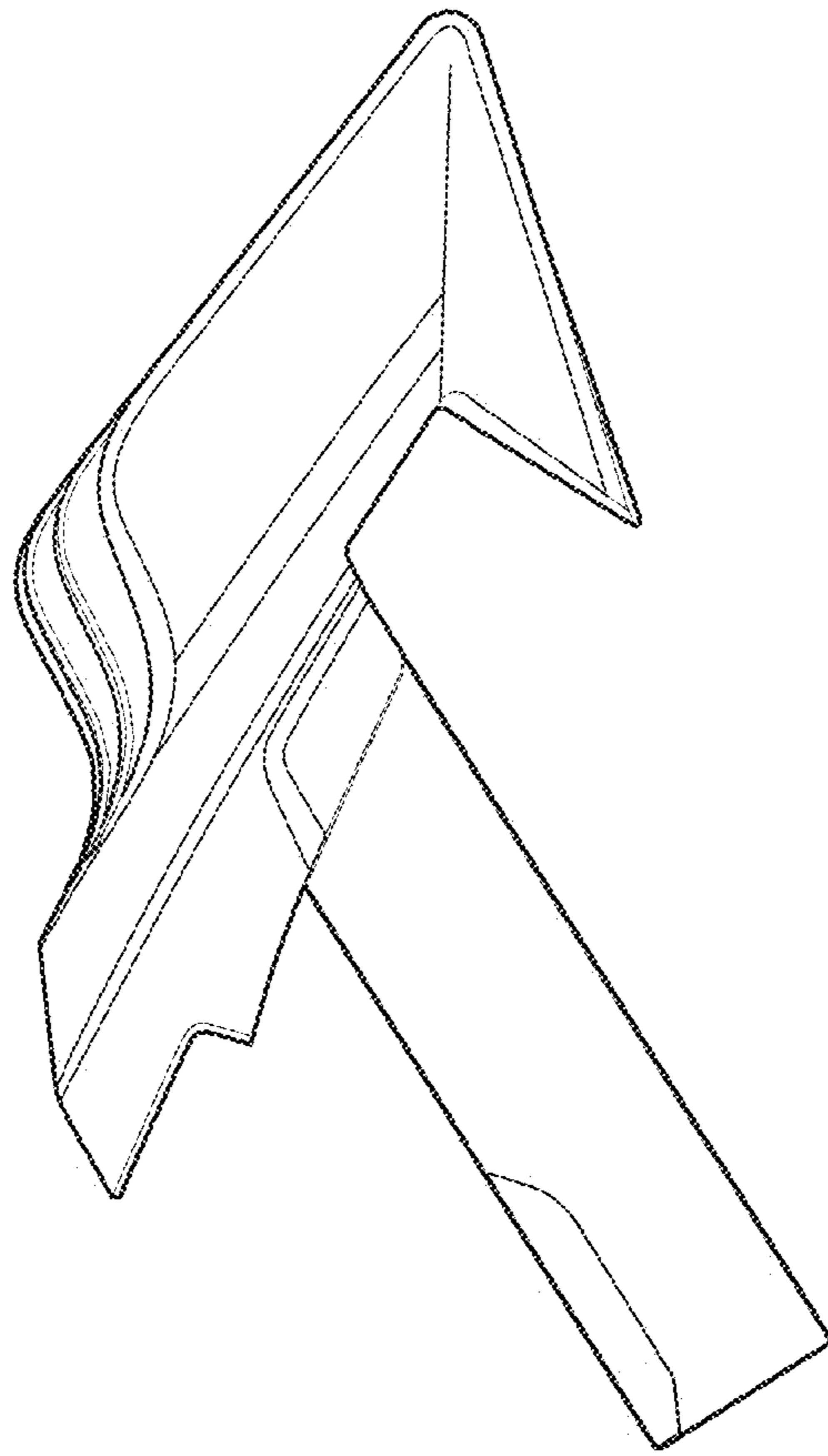


FIG. 4

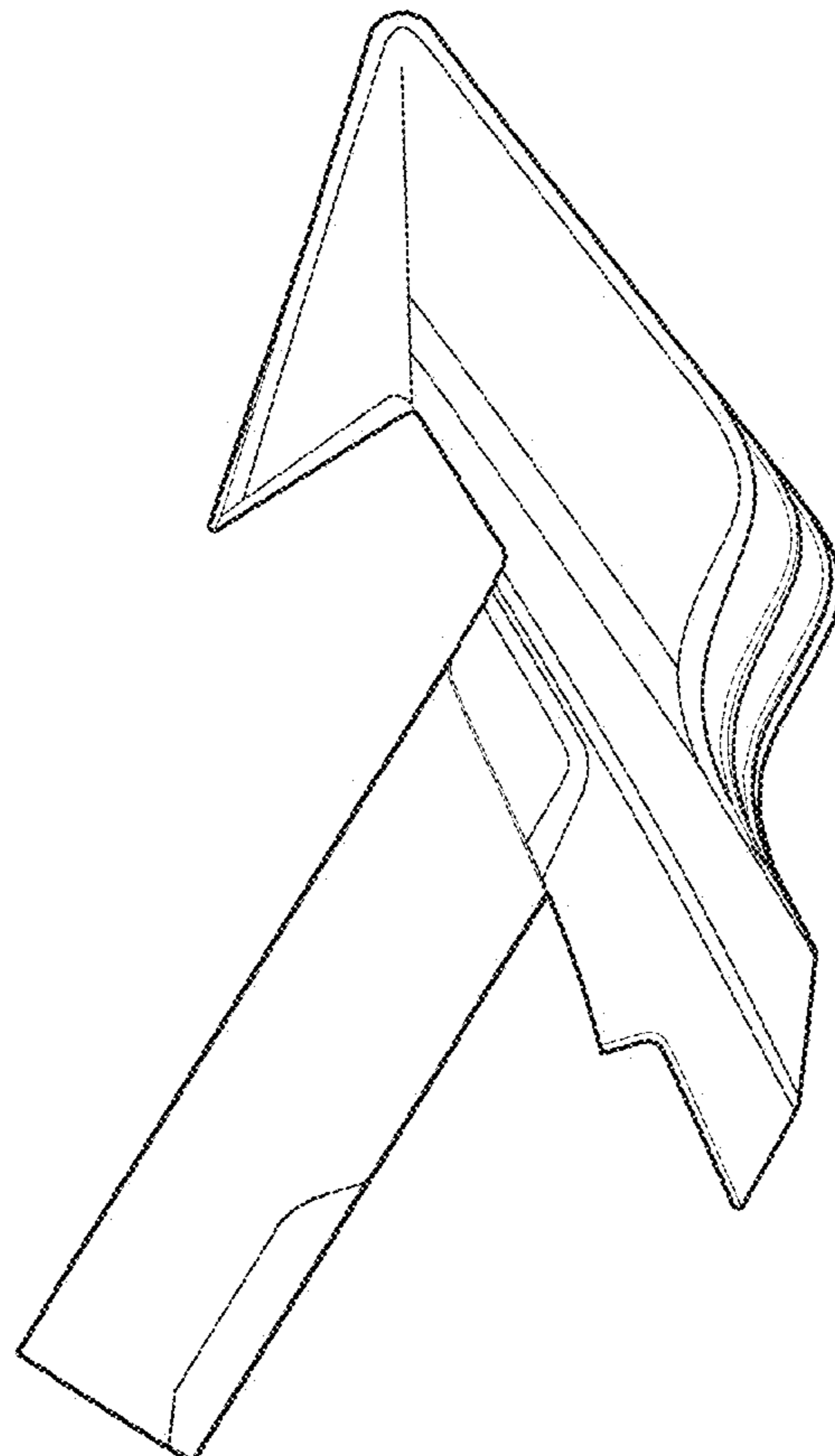


FIG. 5

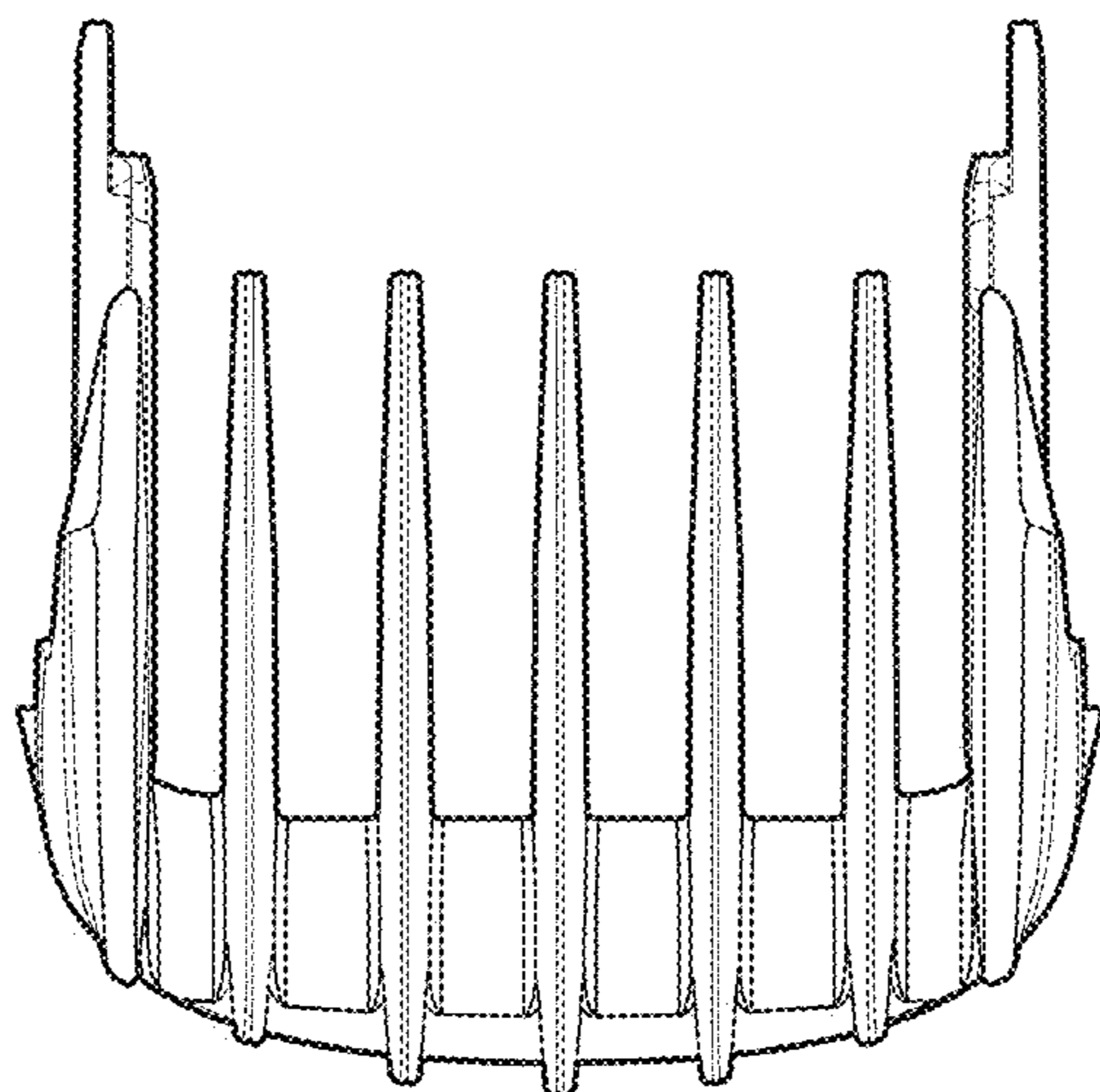


FIG. 6

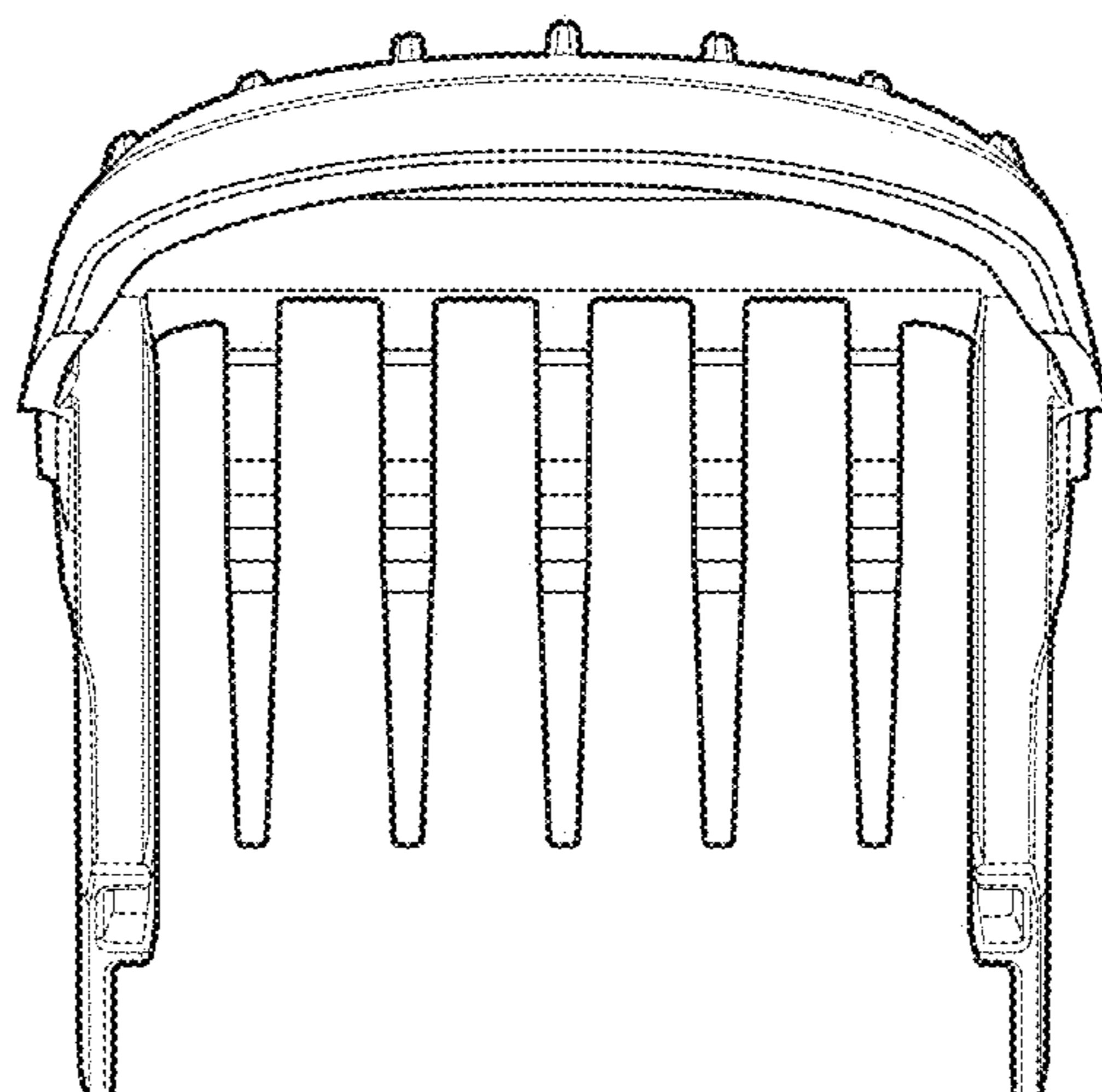


FIG. 7