



US00D936218S

(12) **United States Design Patent** (10) **Patent No.:** **US D936,218 S**  
**McLean et al.** (45) **Date of Patent:** **\*\* Nov. 16, 2021**

(54) **UNIT DOSE CONTAINER**

FOREIGN PATENT DOCUMENTS

(71) Applicant: **ULTRADENT PRODUCTS, INC.**,  
South Jordan, UT (US)

GB 6107717 \* 11/2020

(72) Inventors: **Bruce S. McLean**, Sandy, UT (US);  
**John Paul Goates**, Millcreek, UT (US);  
**Colby M. Radmall**, Pleasant Grove,  
UT (US); **Wade J. Cannon**, Orem, UT  
(US); **Weston S. Thompson**, South  
Jordan, UT (US)

OTHER PUBLICATIONS

Angiography Needles, Medline.com, post date unknown [onl;ine],  
[visited Jul. 29, 2021], Available from the URL: <https://www.medline.com/jump/product/x/Z05-PF67224> (Year: 2021).\*

(Continued)

(73) Assignee: **Ultradent Products, Inc.**, South  
Jordan, UT (US)

*Primary Examiner* — Natasha Vujcic

*Assistant Examiner* — Gilbert B Ford

(74) *Attorney, Agent, or Firm* — Maschoff Brennan

(\*\*) Term: **15 Years**

(21) Appl. No.: **29/652,180**

(57) **CLAIM**

(22) Filed: **Jun. 4, 2020**

The ornamental design for a unit dose container, as shown  
and described.

(51) **LOC (13) Cl.** ..... **24-02**

(52) **U.S. Cl.**

USPC ..... **D24/130**; D24/129; D24/112

(58) **Field of Classification Search**

USPC ..... D24/112, 114–115, 127, 129–133

CPC ..... A61M 25/0612

See application file for complete search history.

**DESCRIPTION**

(56) **References Cited**

U.S. PATENT DOCUMENTS

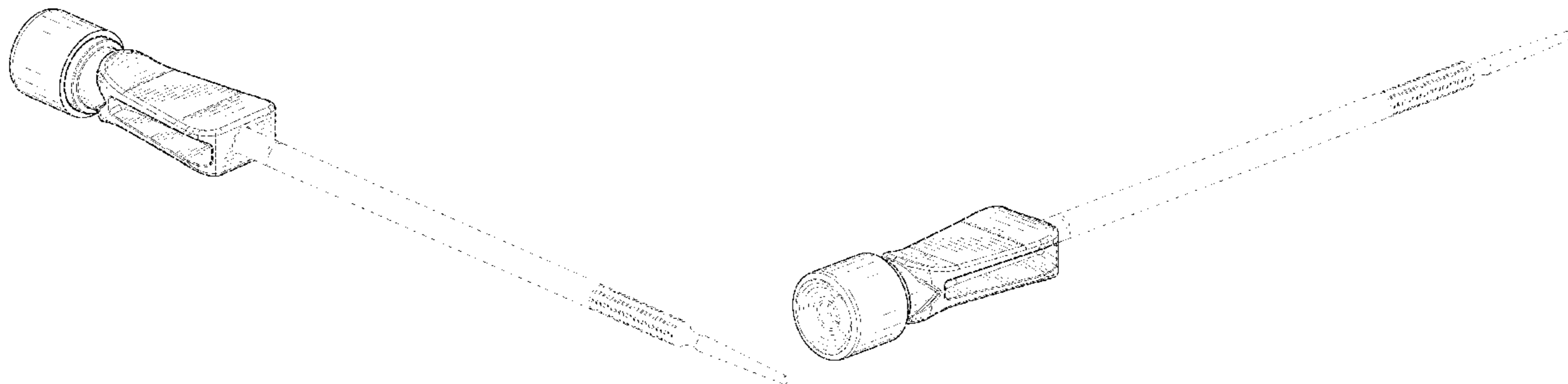
D355,031 S *	1/1995	Yoshikawa	.....	D24/112
D371,195 S *	6/1996	Krebs	.....	D24/112
D496,728 S *	9/2004	Holsinger	.....	D24/108
D557,414 S *	12/2007	Wentling	.....	D24/130
D578,215 S *	10/2008	Helder	.....	D24/128
D650,067 S *	12/2011	Py	.....	D24/112
D687,548 S *	8/2013	Hayashi	.....	D24/130
D710,993 S *	8/2014	DeCoste, Jr.	.....	D24/115
D722,156 S *	2/2015	Wiegel	.....	D24/112
D722,157 S *	2/2015	Wiegel	.....	D24/112
D748,774 S *	2/2016	Caron	.....	D24/112
D750,223 S *	2/2016	Andino	.....	D24/112
D773,655 S *	12/2016	Hofstetter	.....	D24/127
D820,985 S	6/2018	McLean		

(Continued)

FIG. 1 is a perspective view of a unit dose container;  
FIG. 2 is another perspective view of the unit dose container  
shown in FIG. 1;  
FIG. 3 is a top view of the unit dose container shown in FIG.  
1;  
FIG. 4 is a bottom view of the unit dose container shown in  
FIG. 1;  
FIG. 5 is a left-side view of the unit dose container shown  
in FIG. 1;  
FIG. 6 is a right-side view of the unit dose container shown  
in FIG. 1;  
FIG. 7 is a front view of the unit dose container shown in  
FIG. 1; and,  
FIG. 8 is a rear view of the unit dose container shown in FIG.  
1.

The broken lines in the figures form no part of the claimed  
design.

**1 Claim, 5 Drawing Sheets**



(56)

**References Cited**

U.S. PATENT DOCUMENTS

D831,200	S	10/2018	Bergeson	
D878,577	S	3/2020	Bergeson	
D883,492	S	5/2020	Cannon	
D901,006	S	* 11/2020	Bergeson	..... D24/129
2013/0264821	A1	* 10/2013	Duck	..... F16L 37/02 285/397

OTHER PUBLICATIONS

KR Decision to Grant Dated Sep. 30, 2020 as received in Application No. 2020302775129.

\* cited by examiner

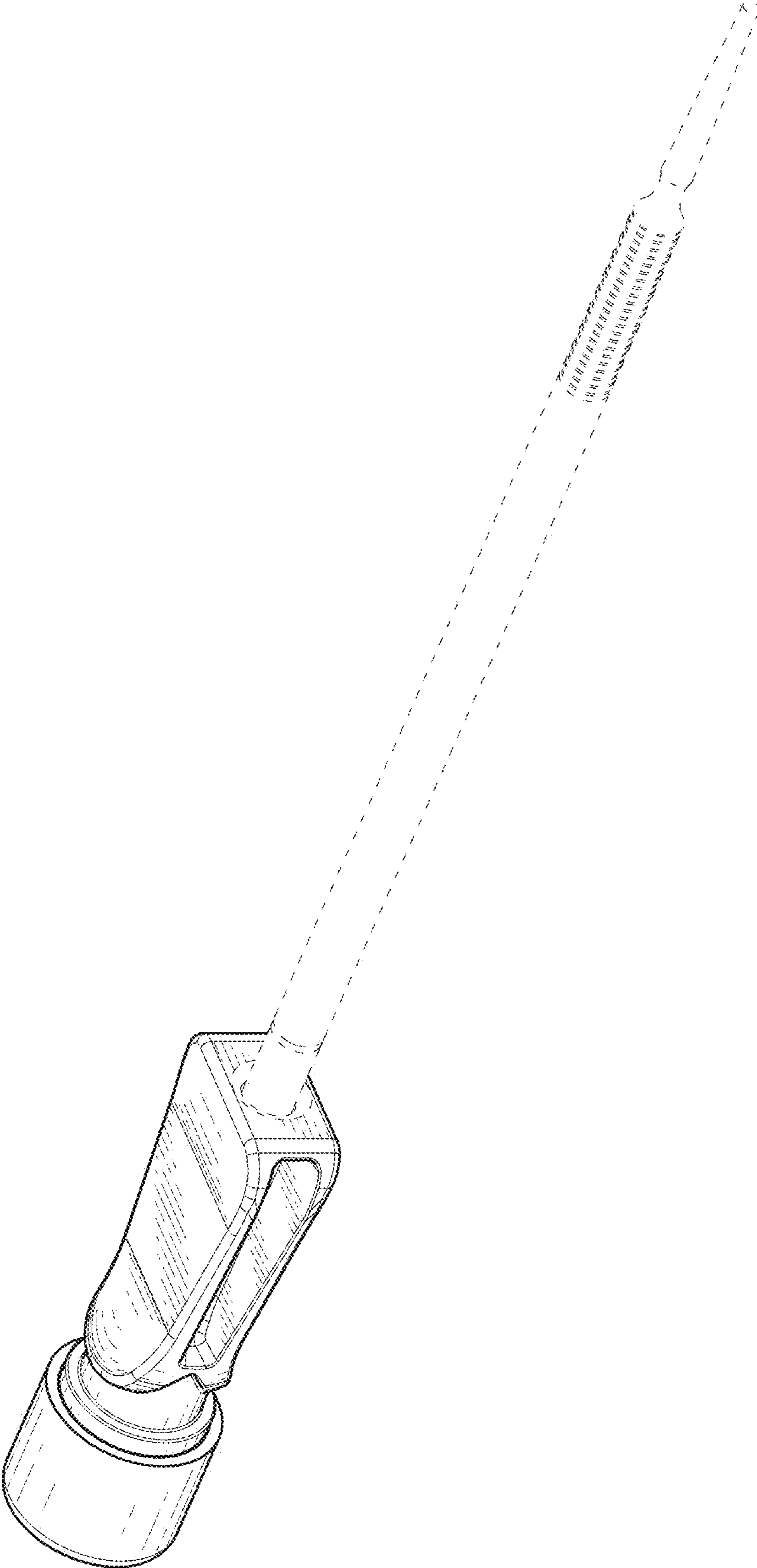


FIG. 1

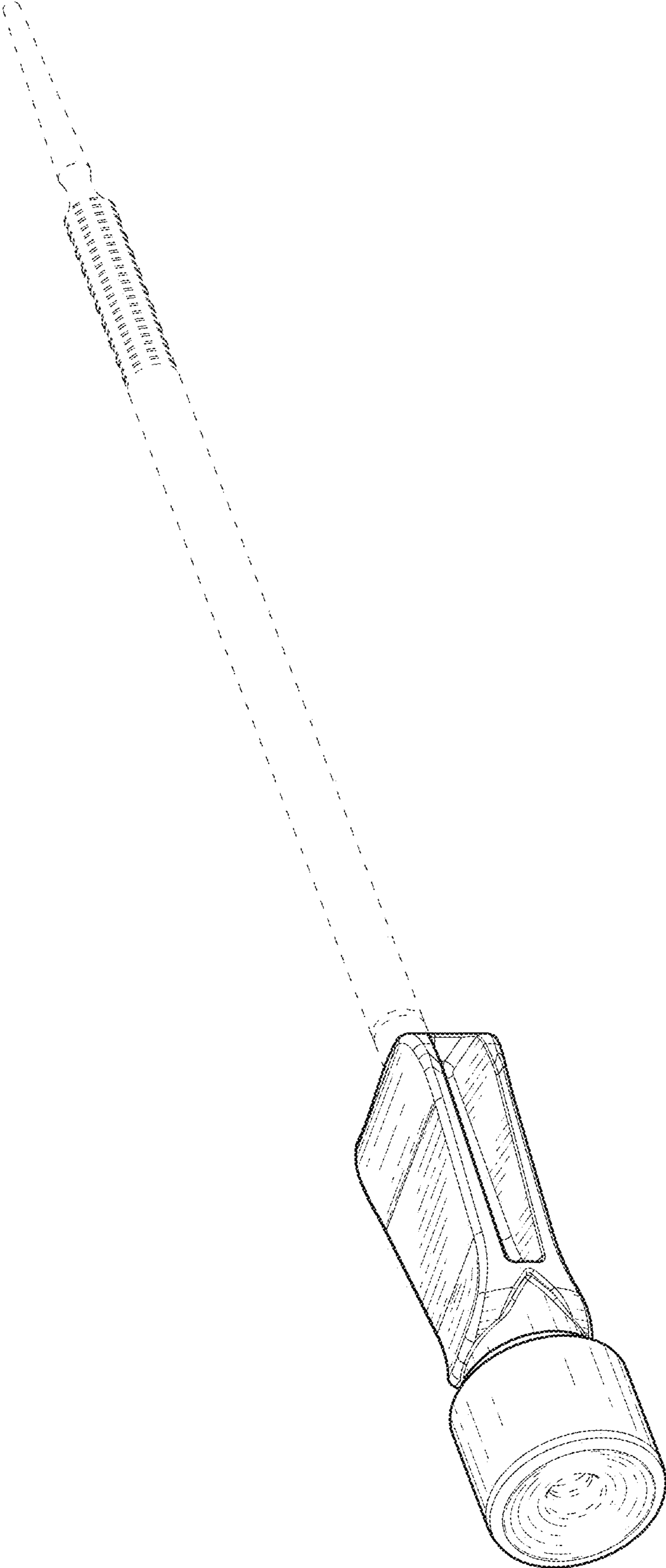


FIG. 2

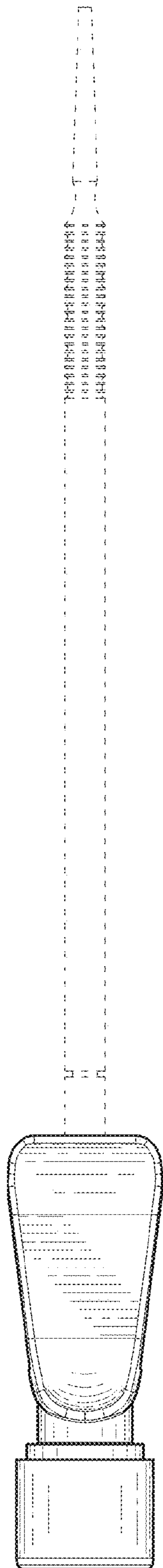


FIG. 3

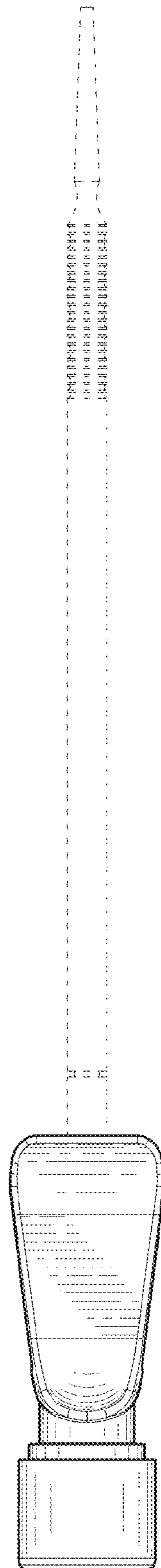


FIG. 4

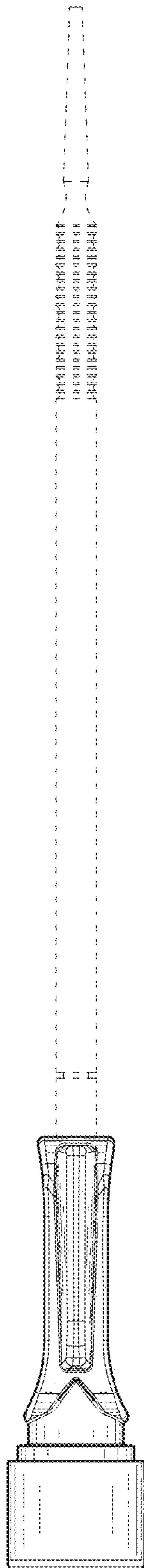


FIG. 5

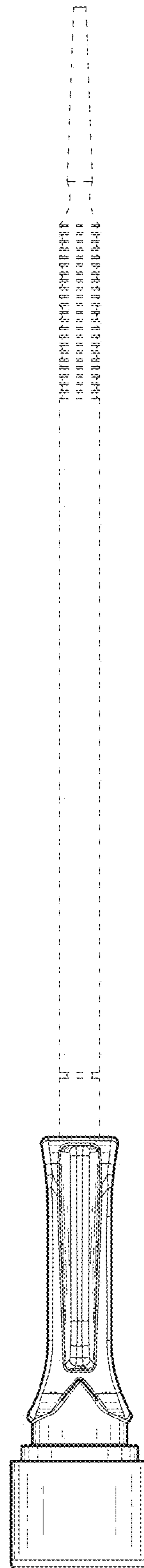


FIG. 6

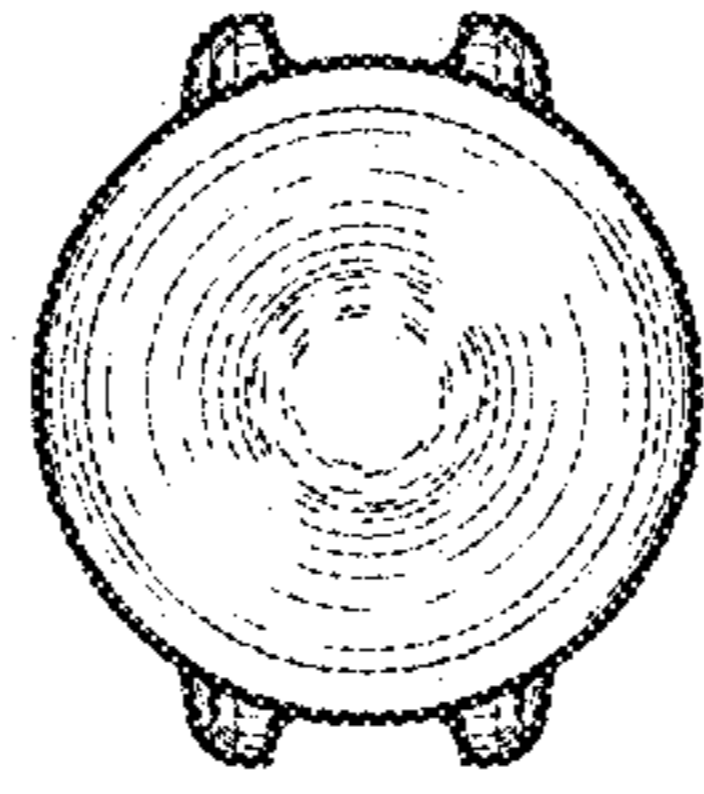


FIG. 8

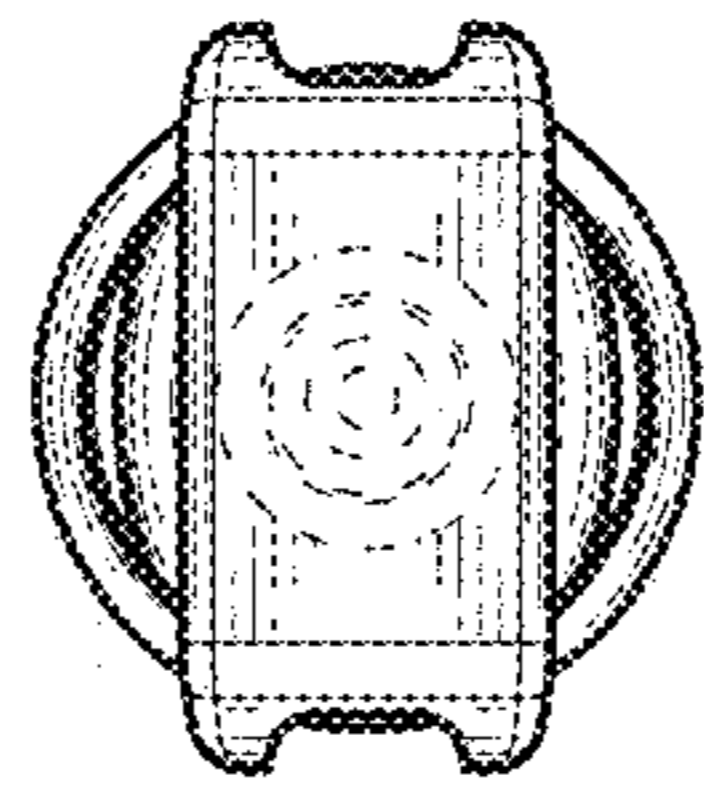


FIG. 7