



US00D905635S

(12) **United States Design Patent** (10) **Patent No.:** **US D905,635 S**  
**Abehasera** (45) **Date of Patent:** **\*\* Dec. 22, 2020**

(54) **POWER ADAPTER**  
(71) Applicant: **Bonalogic, LLC**, Hallandale Beach, FL (US)  
(72) Inventor: **Benyamin Abehasera**, Hallandale Beach, FL (US)  
(73) Assignee: **Bonalogic, Inc.**, Hallandale Beach, FL (US)

D753,606 S \* 4/2016 Nooner ..... H01R 13/5208  
D13/156  
D790,465 S \* 6/2017 Zhao ..... D13/110  
D793,955 S \* 8/2017 Yang ..... D13/107  
D806,026 S \* 12/2017 Ceravalo ..... D13/110  
D810,018 S \* 2/2018 Ceravalo ..... D13/110  
D823,800 S \* 7/2018 Inskeep ..... D13/110  
10,050,453 B2 \* 8/2018 Miller ..... H02J 7/0042  
D828,355 S \* 9/2018 Xie ..... D14/433  
10,147,542 B2 \* 12/2018 Maeda ..... B60K 6/28  
10,181,680 B1 \* 1/2019 Crowder ..... H01R 13/5812  
D884,627 S \* 5/2020 Du ..... D13/110  
10,667,440 B2 \* 5/2020 Song ..... B60L 3/003

(\*\*) Term: **15 Years**

\* cited by examiner

(21) Appl. No.: **29/669,966**  
(22) Filed: **Nov. 13, 2018**  
(51) **LOC (12) Cl.** ..... **13-02**  
(52) **U.S. Cl.**  
USPC ..... **D13/110**  
(58) **Field of Classification Search**  
USPC ..... D13/103, 104, 107, 110, 112, 119, 120,  
D13/133, 156  
CPC ..... H01R 13/641; H01M 2/1022; H01M  
2/1027; H01M 2/1072; H01M 2/105;  
H01M 2/1077; H02B 1/20  
See application file for complete search history.

*Primary Examiner* — Susan Bennett Hattan  
*Assistant Examiner* — Suzanne E Tisdell  
(74) *Attorney, Agent, or Firm* — Geoffrey Lottenberg;  
Berger Singerman LLP

(57) **CLAIM**

The ornamental design for a power adapter, as shown and described.

**DESCRIPTION**

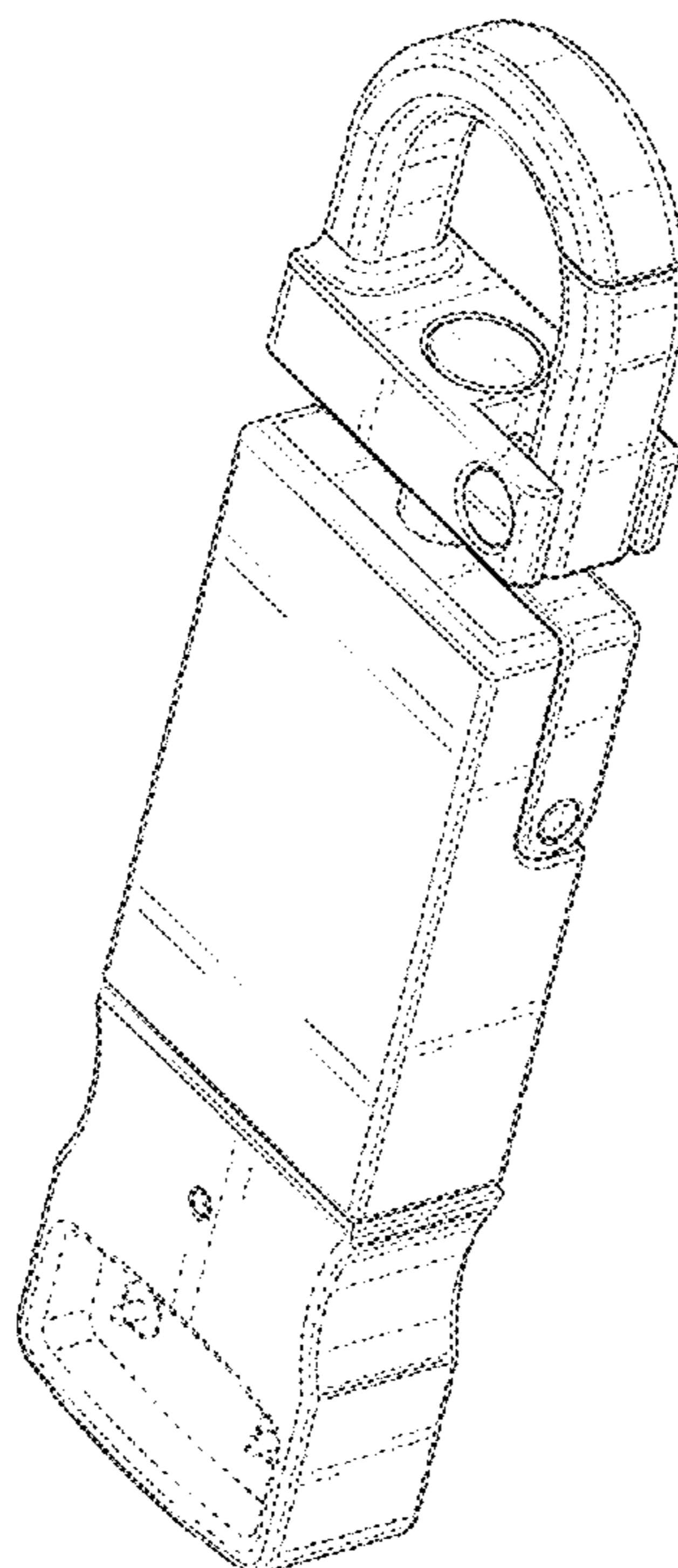
FIG. 1 is a perspective view of the power adapter, showing the new design;  
FIG. 2 is a front elevation view of the power adapter;  
FIG. 3 is a rear elevation view of the power adapter;  
FIG. 4 is a left side elevation view of the power adapter;  
FIG. 5 is a right side elevation view of the power adapter;  
FIG. 6 is a top elevation view of the power adapter; and,  
FIG. 7 is a bottom elevation view of the power adapter.  
The broken lines in the drawings illustrate portions of the power adapter that form no part of the claimed design.

(56) **References Cited**

U.S. PATENT DOCUMENTS

D646,633 S \* 10/2011 Inskeep ..... D13/110  
D673,114 S \* 12/2012 Schnakenberg, III ..... D13/110  
8,729,744 B2 \* 5/2014 Ro ..... H02J 2207/20  
307/150  
9,120,389 B1 \* 9/2015 Rawlinson ..... B60L 50/51  
9,148,946 B1 \* 9/2015 Singh ..... H05K 1/021

**1 Claim, 5 Drawing Sheets**



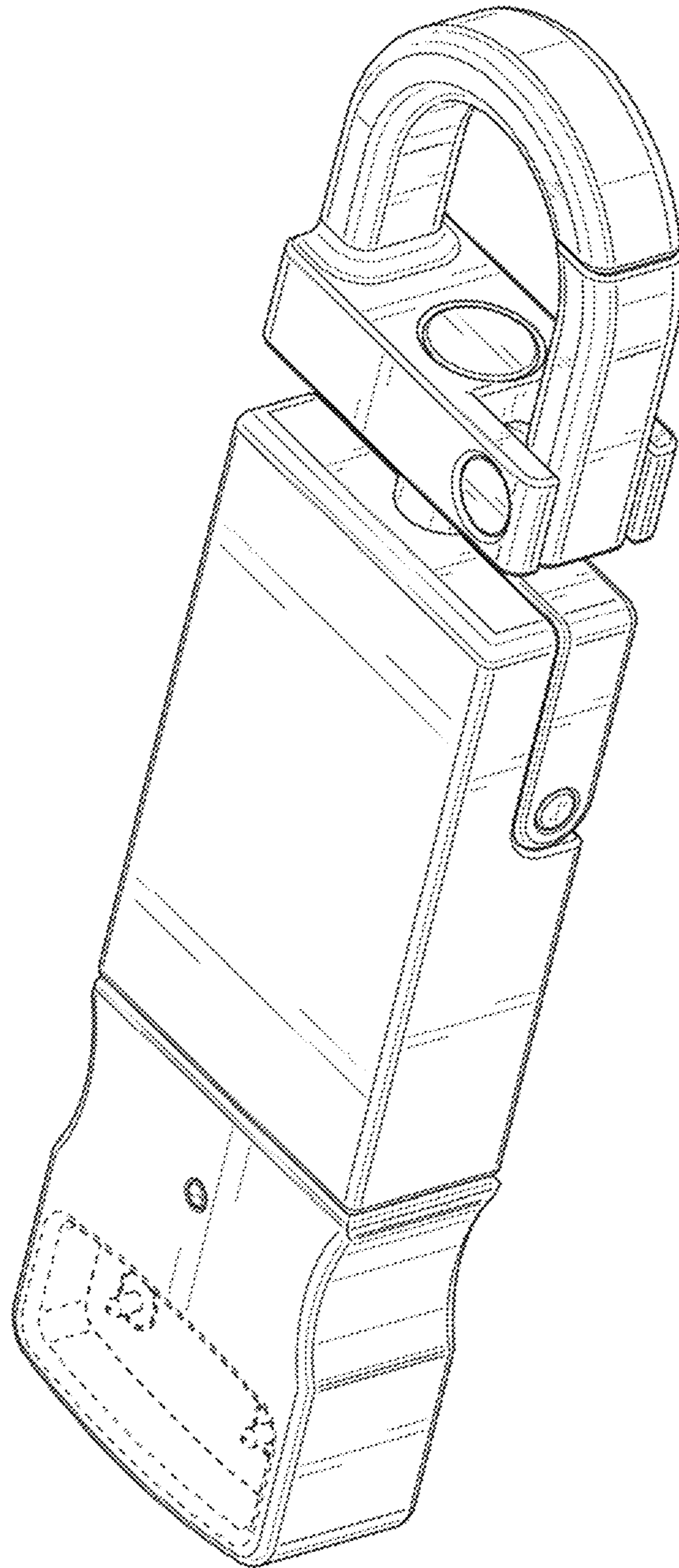


FIG. 1

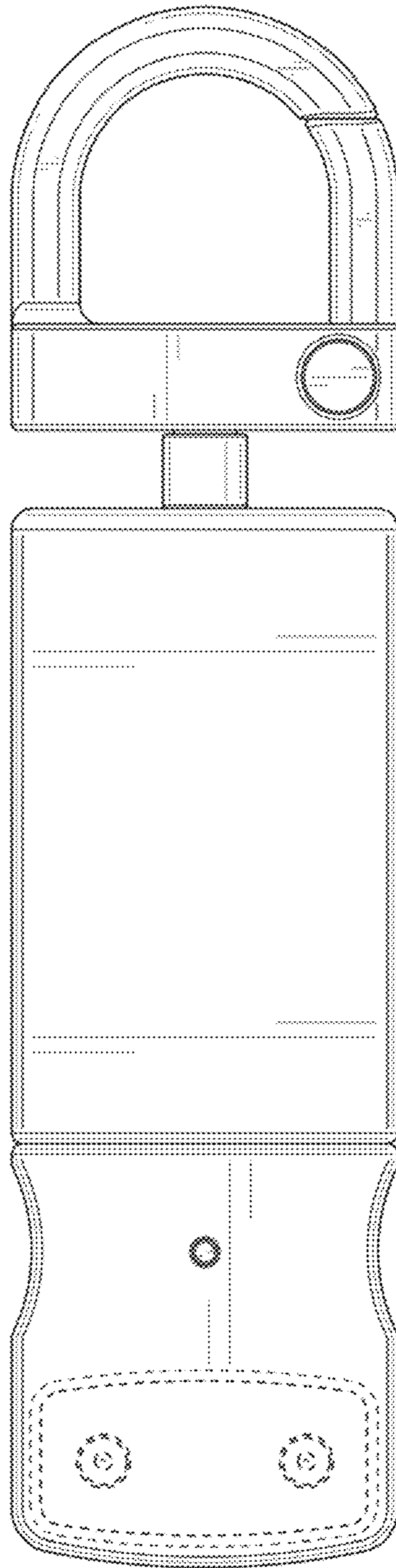


FIG. 2

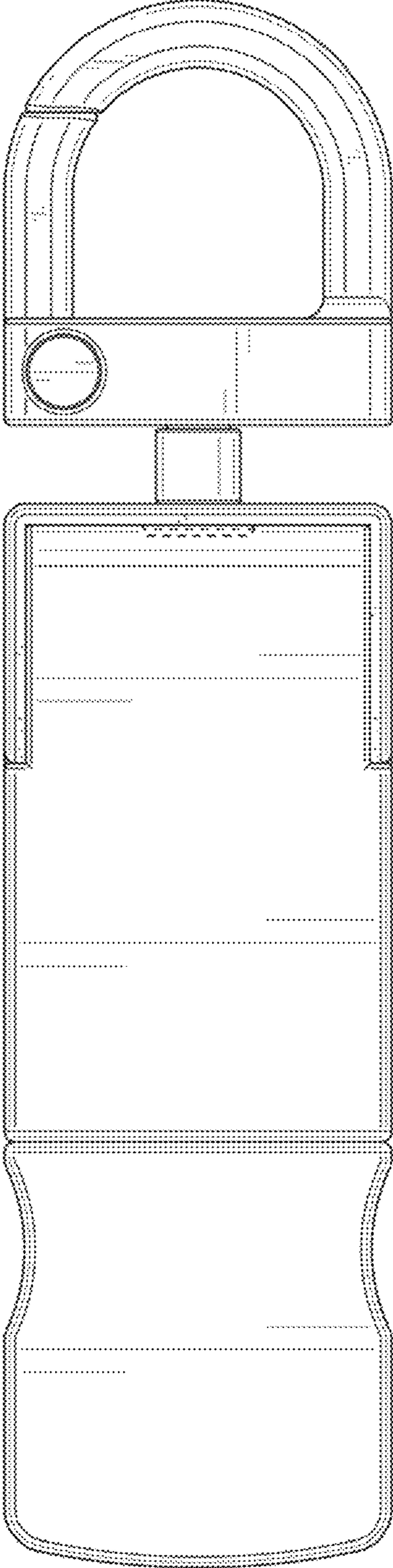


FIG. 3

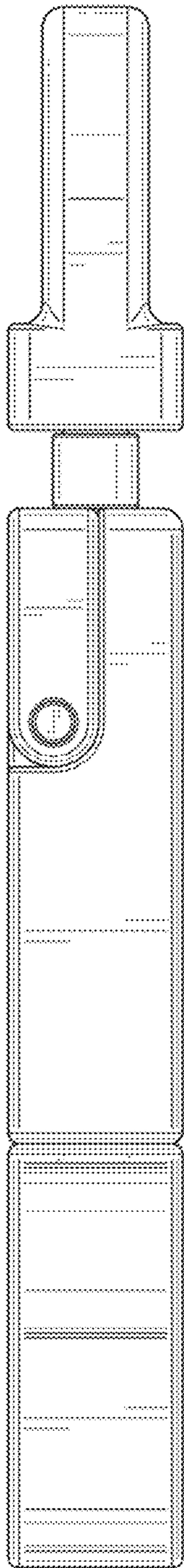


FIG. 4

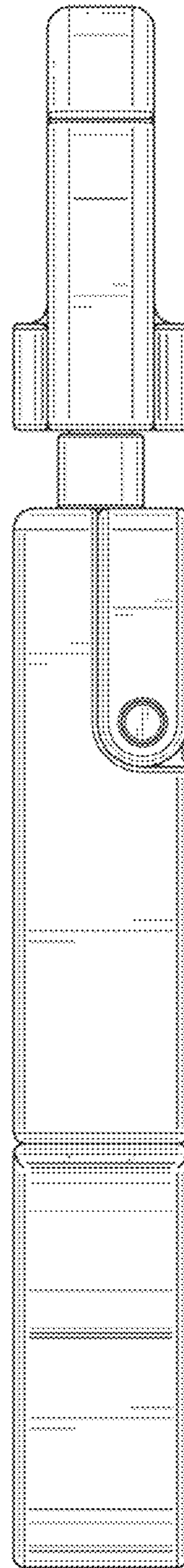


FIG. 5

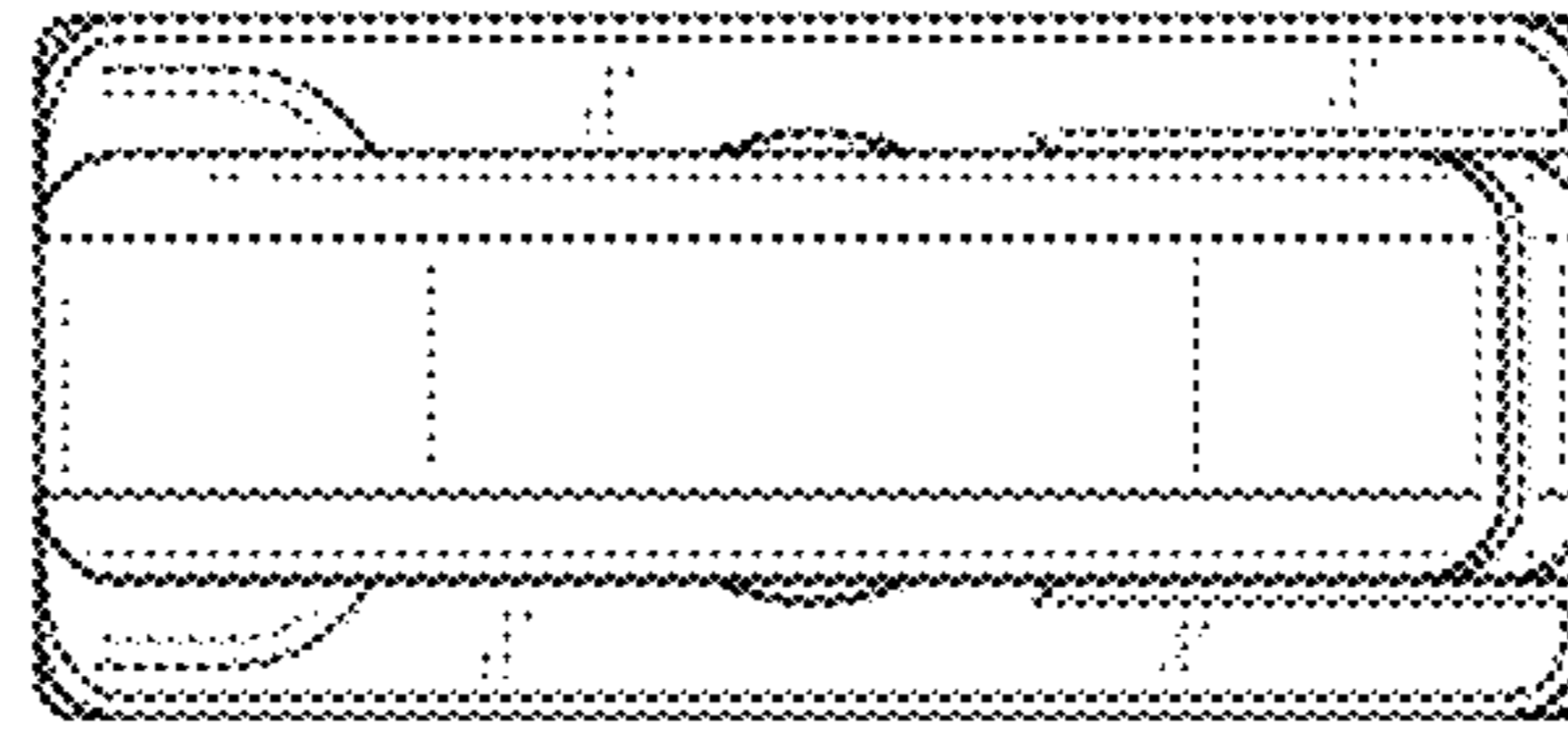


FIG. 6

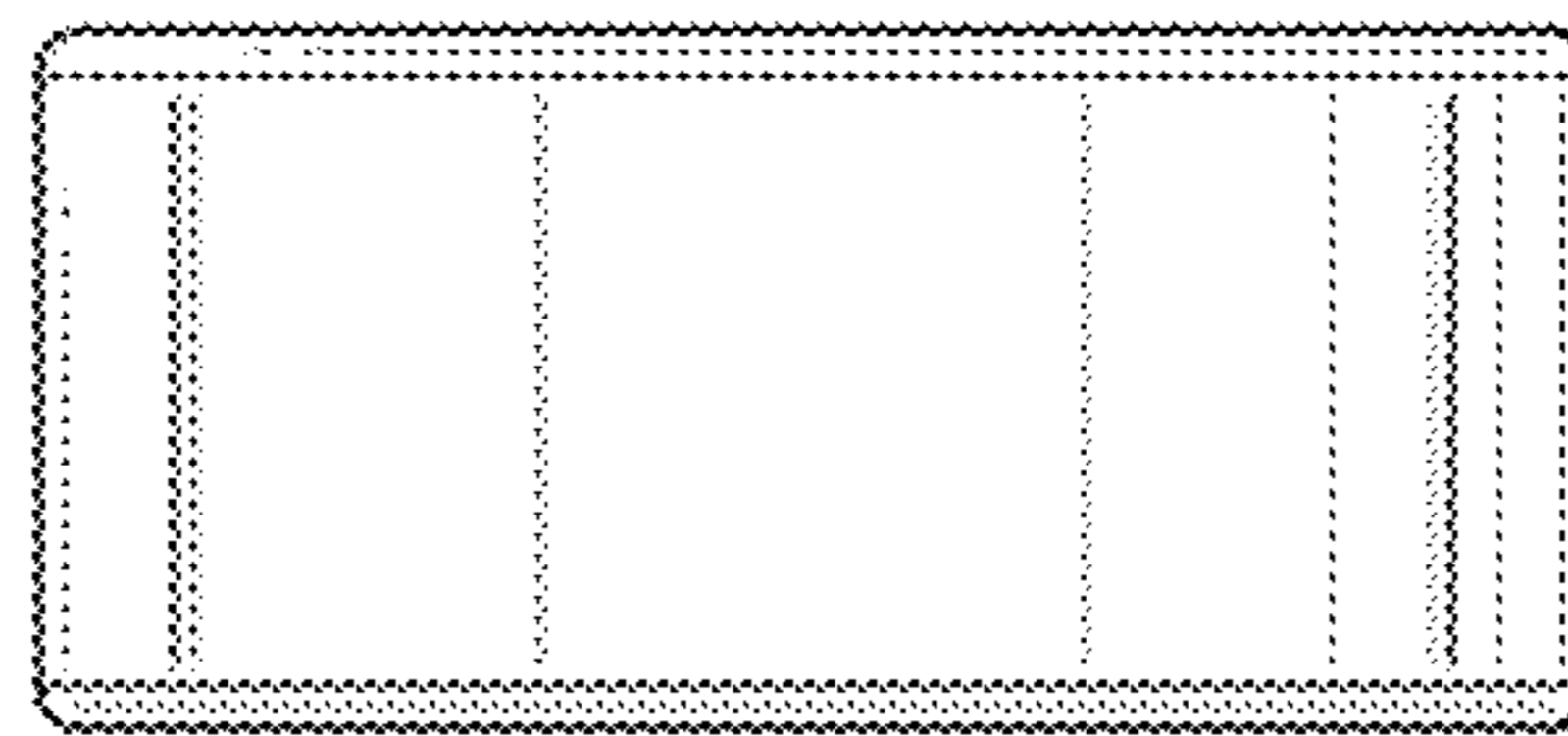


FIG. 7