



US00D904980S

(12) **United States Design Patent**
Inskeep et al.

(10) **Patent No.:** **US D904,980 S**

(45) **Date of Patent:** **** Dec. 15, 2020**

- (54) **INVERTER**
- (71) Applicant: **Vector Products, Inc.**, Boca Raton, FL (US)
- (72) Inventors: **Mathew Inskeep**, Highland Beach, FL (US); **Ling To Shum**, Boca Raton, FL (US)
- (73) Assignee: **VECTOR PRODUCTS, INC.**, Boca Raton, FL (US)

9,148,946 B1 *	9/2015	Singh	H05K 1/021
D753,606 S *	4/2016	Nooner	H01R 13/5208
			D13/156
D790,465 S *	6/2017	Zhao	D13/110
D793,955 S *	8/2017	Yang	D13/107
D806,026 S *	12/2017	Ceravalo	D13/110
D810,018 S *	2/2018	Ceravalo	D13/110
D823,800 S *	7/2018	Inskeep	D13/110
10,050,453 B2 *	8/2018	Miller	H02J 7/0042
D828,355 S *	9/2018	Xie	D14/433
10,147,542 B2 *	12/2018	Maeda	B60K 6/28
10,181,680 B1 *	1/2019	Crowder	H01R 13/5812
D884,627 S *	5/2020	Du	D13/110
10,667,440 B2 *	5/2020	Song	B60L 3/003

(**) Term: **15 Years**

* cited by examiner

(21) Appl. No.: **29/647,620**

Primary Examiner — Janice Hallmark

(22) Filed: **May 15, 2018**

Assistant Examiner — Suzanne E Tisdell

(51) **LOC (12) Cl.** **13-02**

(74) *Attorney, Agent, or Firm* — Daniel S. Polley, P.A.

(52) **U.S. Cl.**
USPC **D13/110**

(58) **Field of Classification Search**
USPC D13/103, 104, 107, 110, 112, 119, 120, D13/133, 156
CPC H01R 13/641; H01M 2/1022; H01M 2/1027; H01M 2/1072; H01M 2/105; H01M 2/1077; H02B 1/20
See application file for complete search history.

(57) **CLAIM**

We claim the ornamental design for inverter, as shown and described.

DESCRIPTION

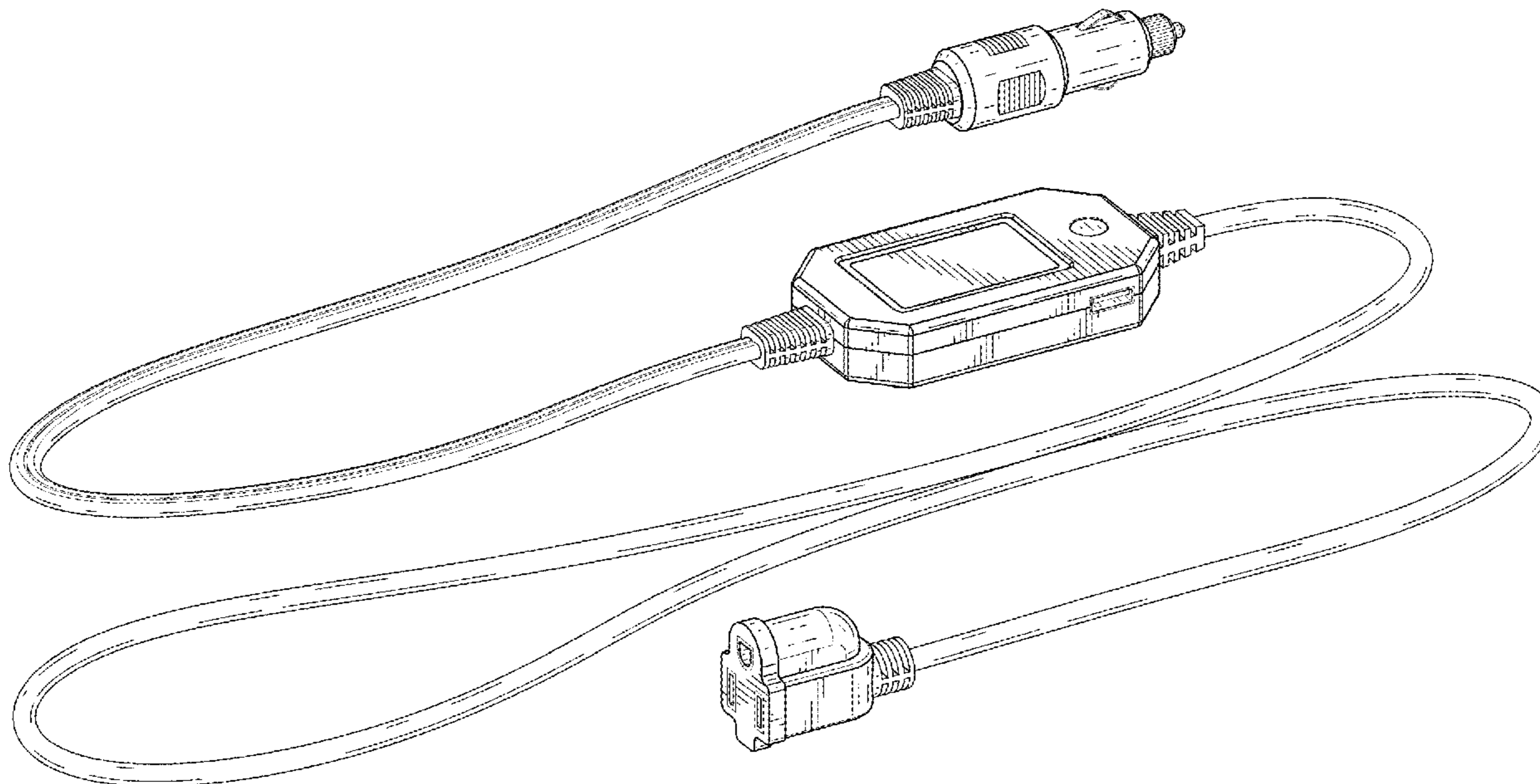
FIG. 1 is a top perspective view of the inverter showing my new design.
FIG. 2 is a bottom perspective view thereof.
FIG. 3 is a top view thereof.
FIG. 4 is a bottom view thereof.
FIG. 5 is a front view thereof.
FIG. 6 is a back view thereof.
FIG. 7 is a right side view thereof; and,
FIG. 8 is a left side view thereof.

(56) **References Cited**

U.S. PATENT DOCUMENTS

D646,633 S *	10/2011	Inskeep	D13/110
D673,114 S *	12/2012	Schnakenberg, III	D13/110
8,729,744 B2 *	5/2014	Ro	H02J 2207/20
			307/150
9,120,389 B1 *	9/2015	Rawlinson	B60L 50/51

1 Claim, 6 Drawing Sheets



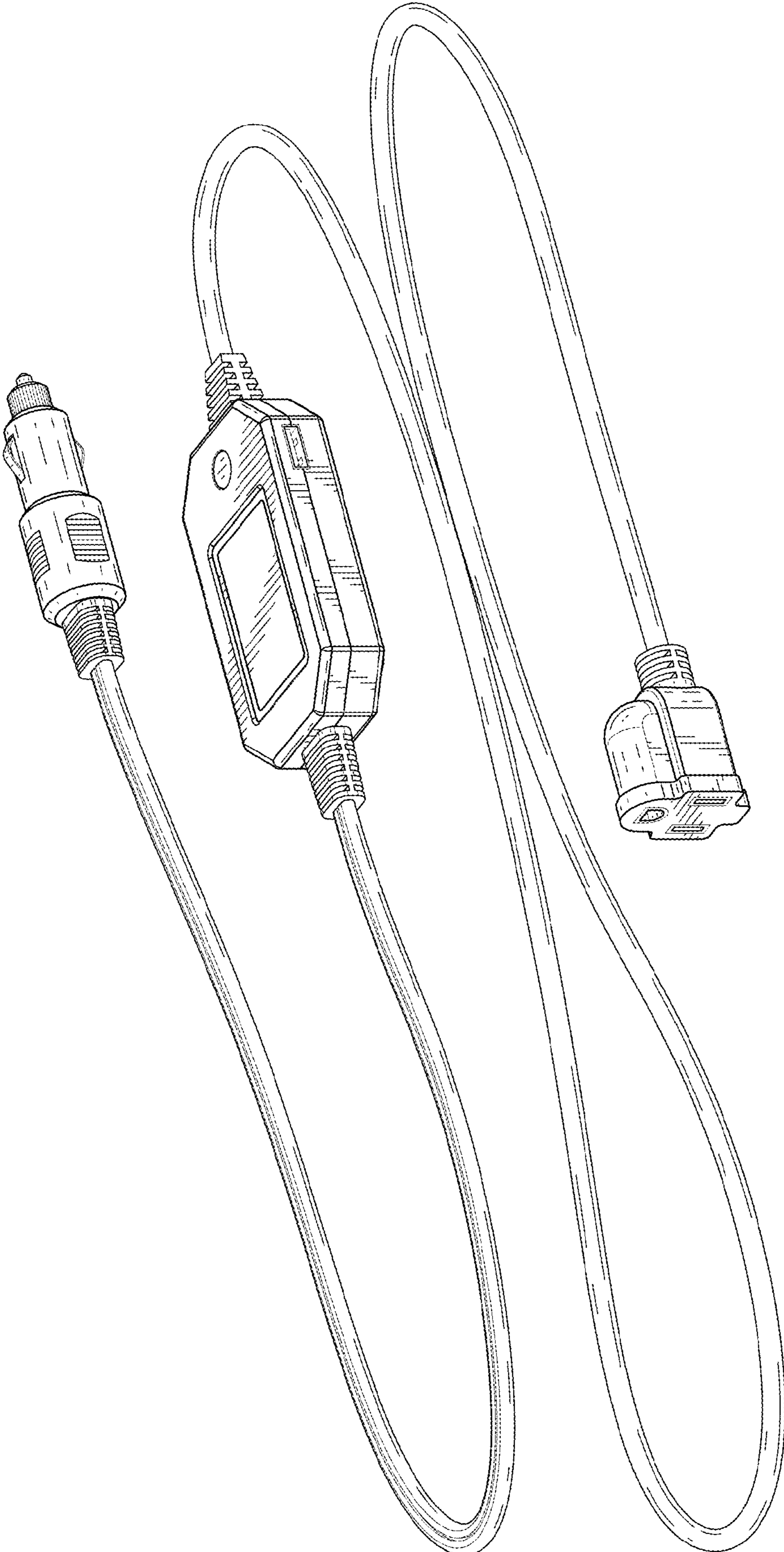


FIG. 1

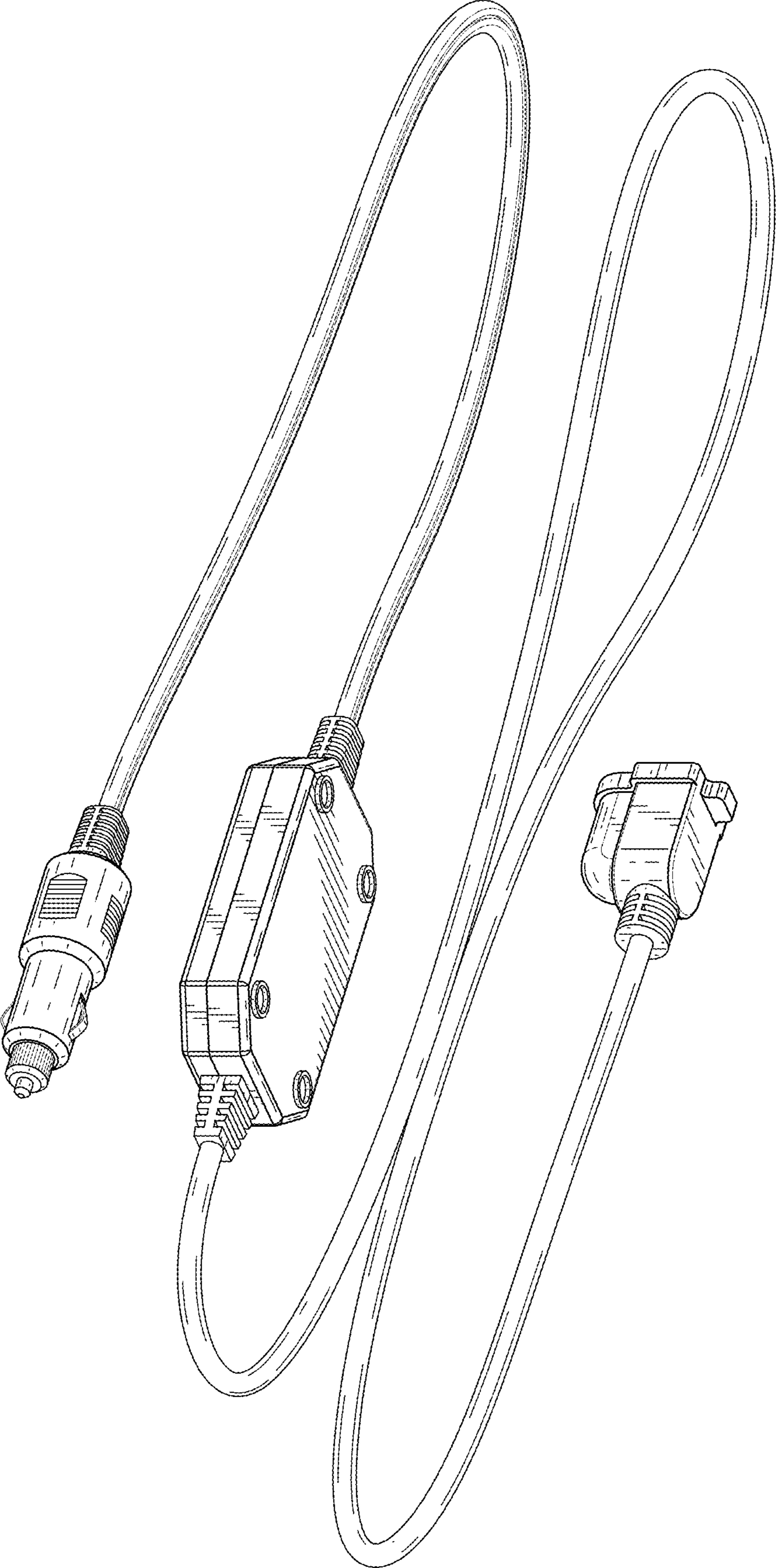


FIG. 2

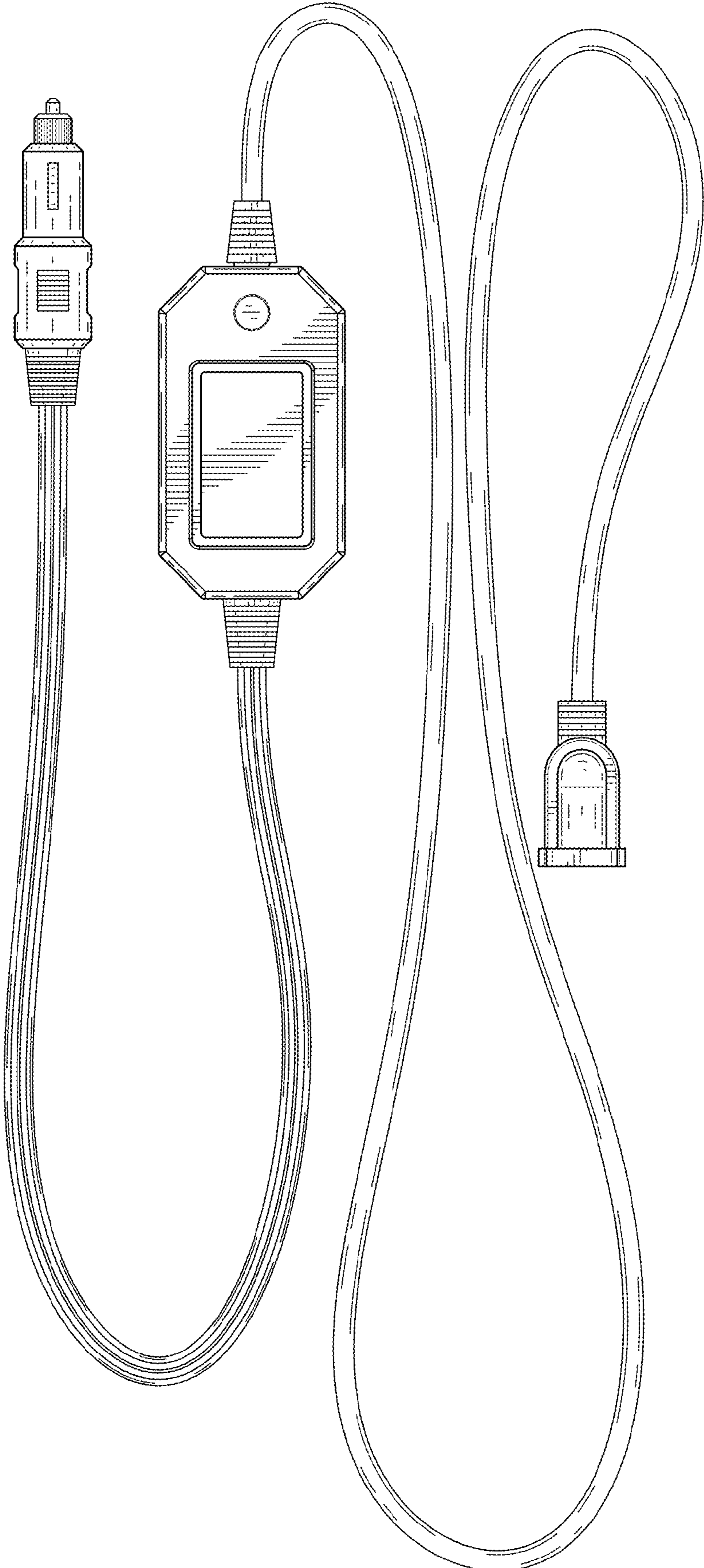


FIG. 3

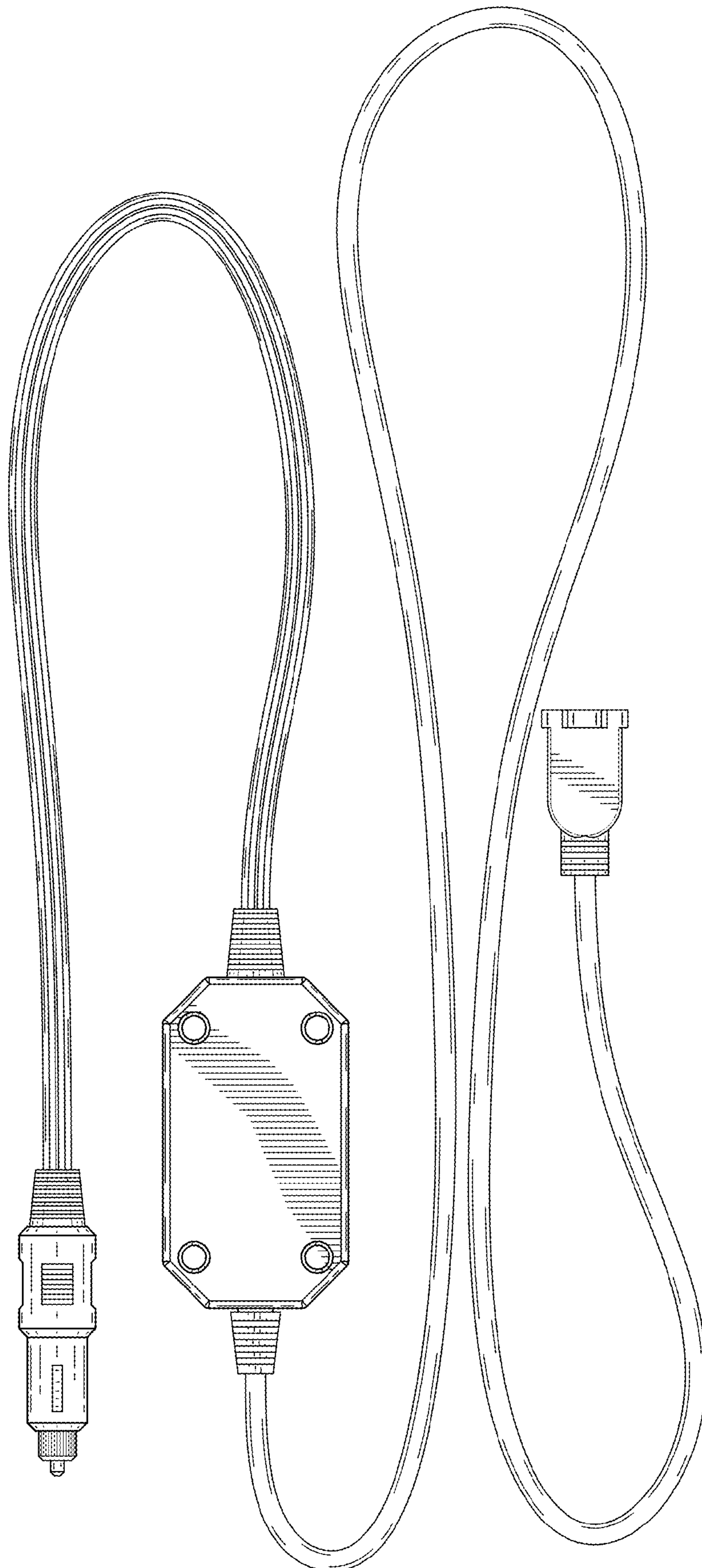


FIG. 4

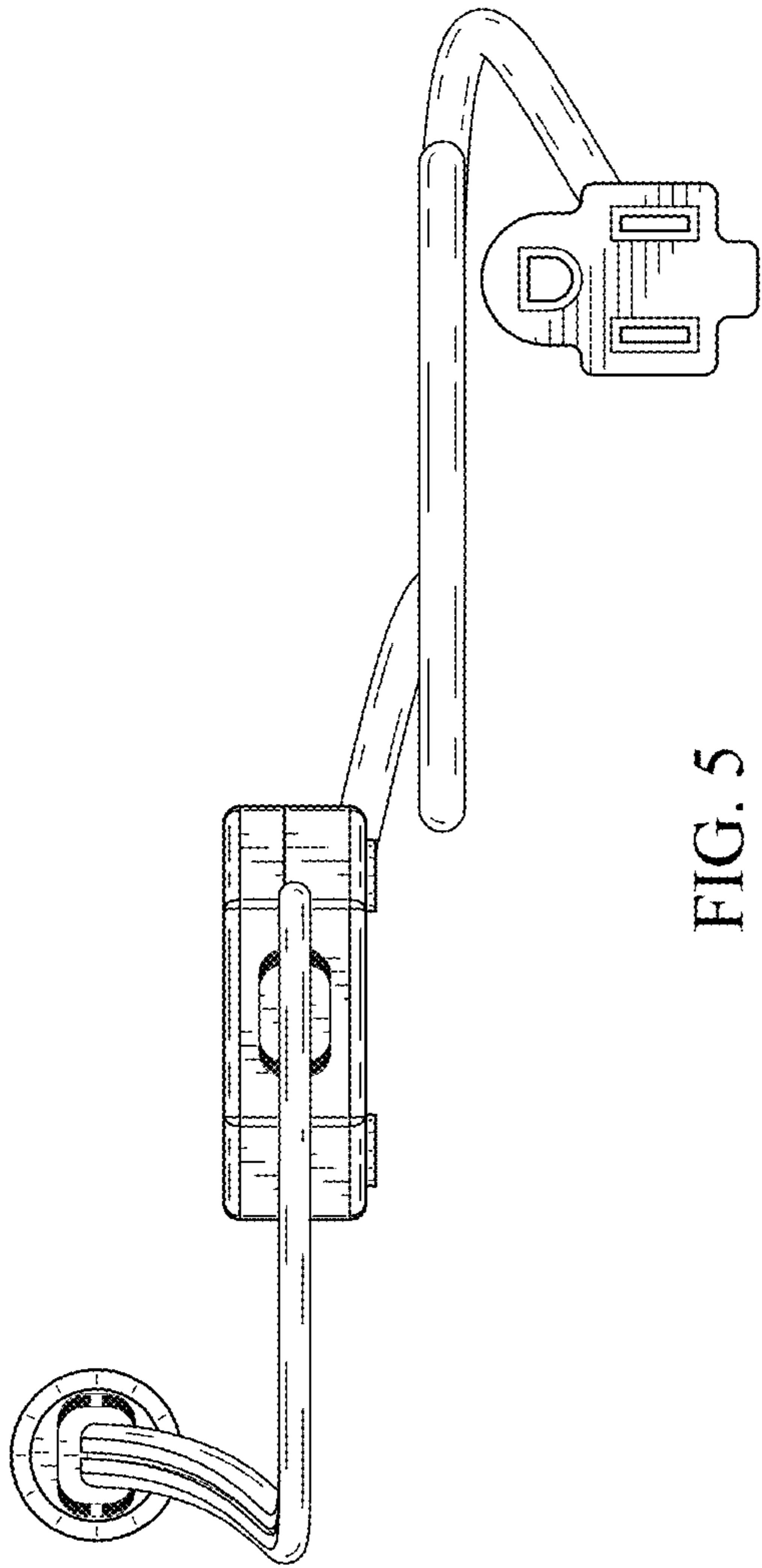


FIG. 5

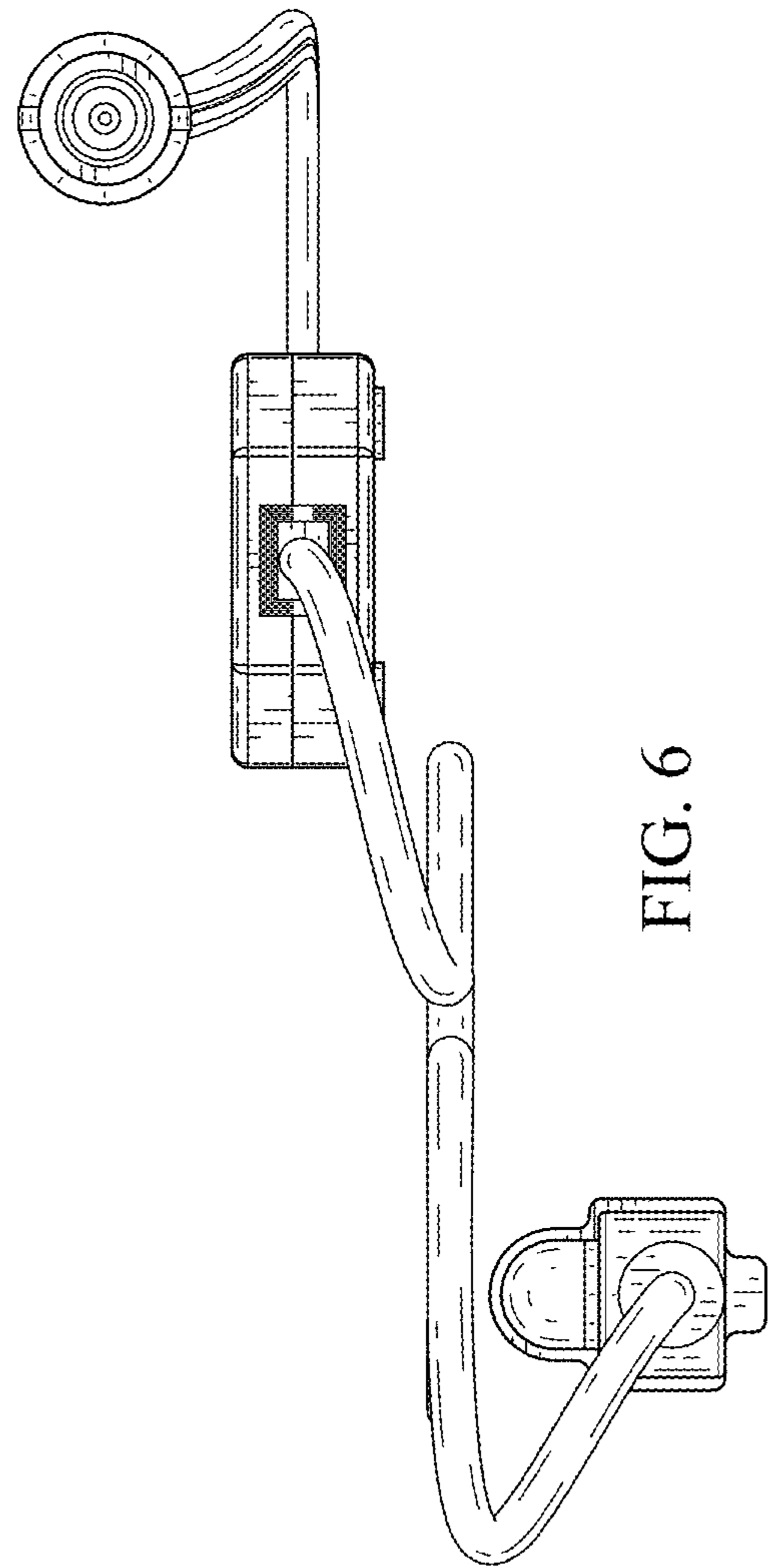


FIG. 6

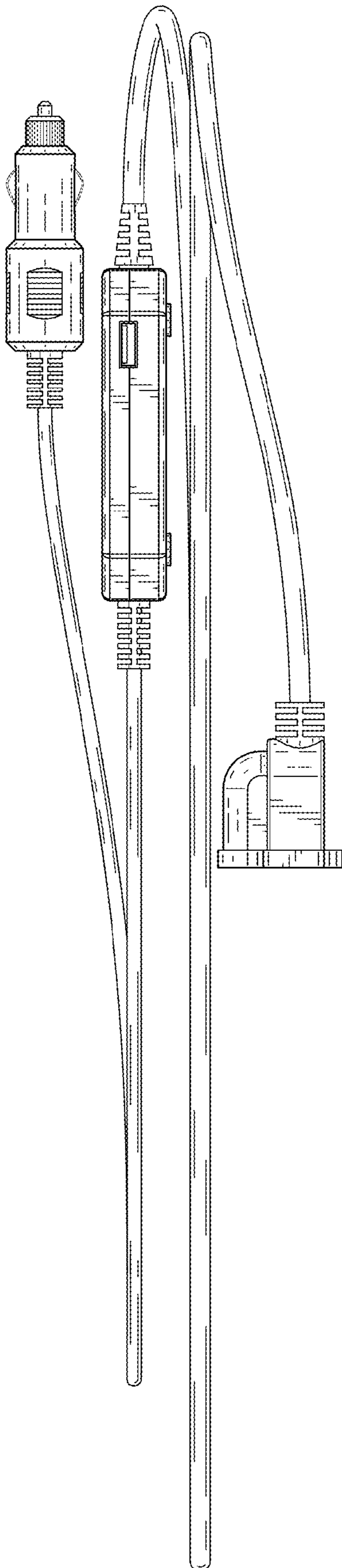


FIG. 7

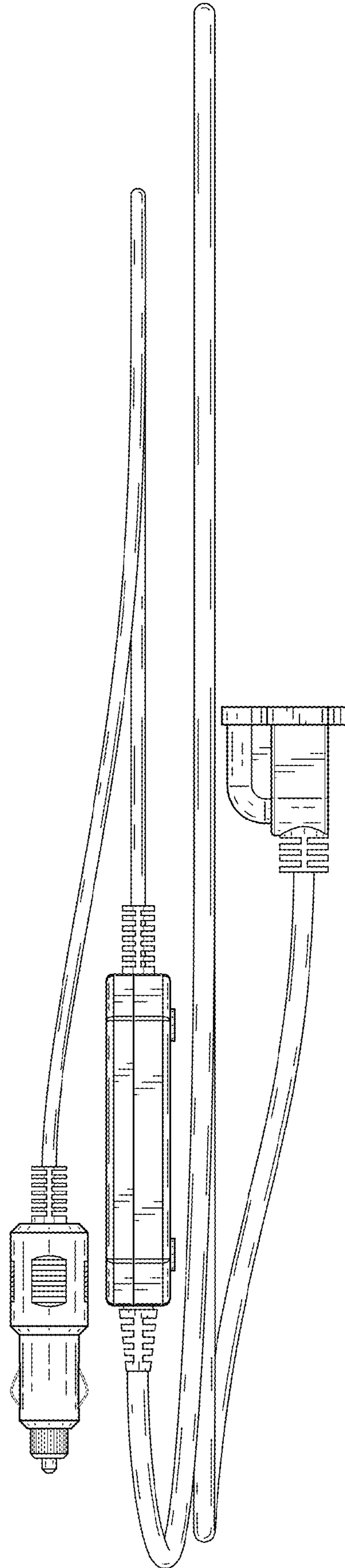


FIG. 8