



US00D900645S

(12) **United States Design Patent** (10) **Patent No.:** **US D900,645 S**
Henne et al. (45) **Date of Patent:** **** Nov. 3, 2020**

- (54) **WATCH WITH DISPLAY**
- (71) Applicant: **Garmin Switzerland GmbH**,
Schaffhausen (CH)
- (72) Inventors: **Juliane M. Henne**, Overland Park, KS
(US); **Camille J. Jean**, Overland Park,
KS (US); **Peter J. Henne**, Overland
Park, KS (US); **Nicholas E. Tobaben**,
Lenexa, KS (US); **Steven T. Taschner**,
Olathe, KS (US); **Sascha D. Demetris**,
Overland Park, KS (US)
- (73) Assignee: **Garmin Switzerland GmbH** (CH)
- (**) Term: **15 Years**
- (21) Appl. No.: **29/683,350**
- (22) Filed: **Mar. 12, 2019**
- (51) **LOC (12) Cl.** **10-02**
- (52) **U.S. Cl.**
USPC **D10/38; D14/344**
- (58) **Field of Classification Search**
USPC D10/30–39, 40–41, 65, 70, 97–98, 104.2,
D10/116.1, 122, 128, 132; D14/344, 440;
D24/167, 186
CPC G04B 19/18; G04B 19/22; G04B 19/23;
G04B 19/228; G04B 37/00; G04B
39/002; G04B 39/006; G04B 39/02;
G04C 19/04; G04F 7/08; G04F 7/0842;
G04F 7/0861; G04F 7/0871; G04F
7/0876; G04G 17/02; G04G 17/045;
G04G 17/08; G04G 21/08; G04G 9/00
See application file for complete search history.

- D589,837 S * 4/2009 Genender D10/128
 - D664,865 S * 8/2012 Luk Ying Yee D10/38
 - D700,080 S * 2/2014 Broadbent D10/65
 - D753,832 S * 4/2016 Lin D24/186
- (Continued)

FOREIGN PATENT DOCUMENTS

CH 2013-B78528 * 1/2013

OTHER PUBLICATIONS

Rainmaker, DC, "Garmin Forerunner 645 Music GPS Running Watch In-Depth Review," <https://www.dcrainmaker.com/2018/03/garmin-forerunner-645-music-gps-watch-in-depth-review.html>, Mar. 6, 2018.

(Continued)

Primary Examiner — Eric L Goodman
Assistant Examiner — Katherine Glennon
(74) *Attorney, Agent, or Firm* — Samuel M. Korte; Max M. Ali

(57) **CLAIM**

The ornamental design for a watch with display, as shown and described.

DESCRIPTION

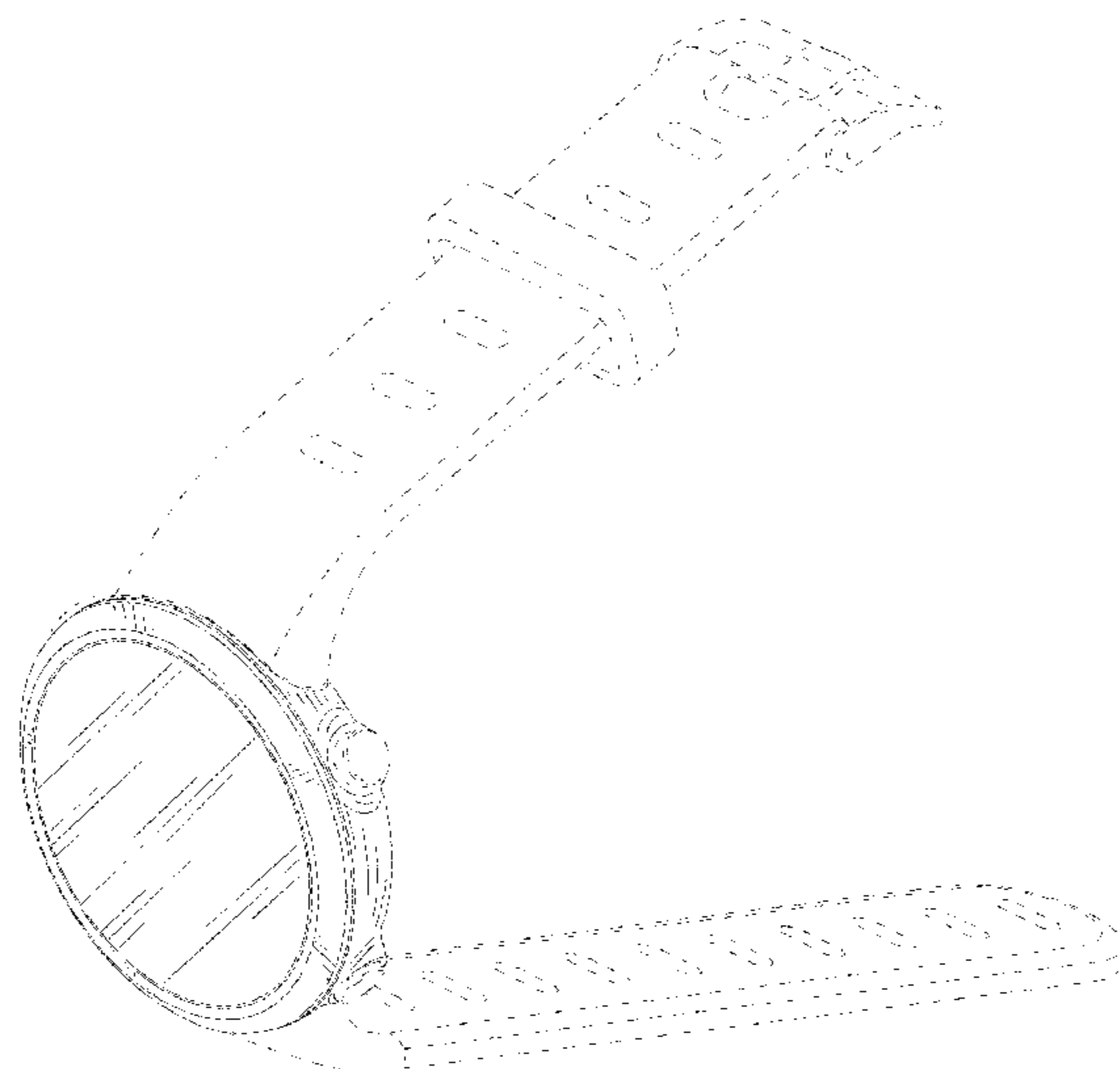
FIG. 1 is a front perspective view of a watch with display according to the present invention;
FIG. 2 is a rear perspective view of the watch with display;
FIG. 3 is a top view of the watch with display;
FIG. 4 is a front view of the watch with display;
FIG. 5 is a bottom view of the watch with display;
FIG. 6 is a rear view of the watch with display;
FIG. 7 is a left side view of the watch with display; and,
FIG. 8 is a right side view of the watch with display.
The broken lines shown in the drawings represent portions of the watch with display that form no part of the claimed design.

1 Claim, 8 Drawing Sheets

(56) **References Cited**

U.S. PATENT DOCUMENTS

- D399,140 S * 10/1998 Voegeli D10/32
- D476,581 S * 7/2003 Calvani D10/30
- D521,879 S * 5/2006 Tonohori D10/31
- D566,579 S * 4/2008 Tran D10/31



(56)

References Cited

U.S. PATENT DOCUMENTS

D768,623 S * 10/2016 Zou D10/39
D769,737 S * 10/2016 Voirin D10/30
D799,986 S * 10/2017 Monachon D10/30
D812,607 S * 3/2018 Mistry D14/344
D819,021 S * 5/2018 Mistry D14/344
D827,831 S * 9/2018 Fong D24/167
D828,351 S * 9/2018 Xie D14/344
D834,430 S * 11/2018 Schaad D10/30
D836,466 S * 12/2018 Shi D10/32
10,146,188 B2 * 12/2018 Katzer G04B 19/04
D839,753 S 2/2019 Domke et al.
10,276,925 B2 * 4/2019 Han H01Q 1/48
D848,864 S * 5/2019 Mockler D10/30
D851,504 S * 6/2019 Henne D10/30
2018/0173166 A1 * 6/2018 Kayano G04B 37/088

OTHER PUBLICATIONS

Motorola Moto 360 Review—Engadget, <https://www.engadget.com/products/motorola/moto/360/>, printed Oct. 2, 2019, published before Mar. 12, 2019.

Rainmaker, DC, Polar Vantage V Multisport GPS In-Depth Review, <https://www.dcrainmaker.com/2018/12/polar-vantage-v-multisport-review.html>, Dec. 19, 2018.

Nicholson, Ian, OutdoorGearLab, “Suunto Core Review,” <https://www.outdoorgearlab.com/reviews/camping-and-hiking/altimeter-watch/suunto-core>, Mar. 18, 2013.

Wired, “Review: Suunto Spartan HR Baro,” <https://www.wired.com/review/review-suunto-spartan-hr-baro/>, Feb. 13, 2018.

* cited by examiner

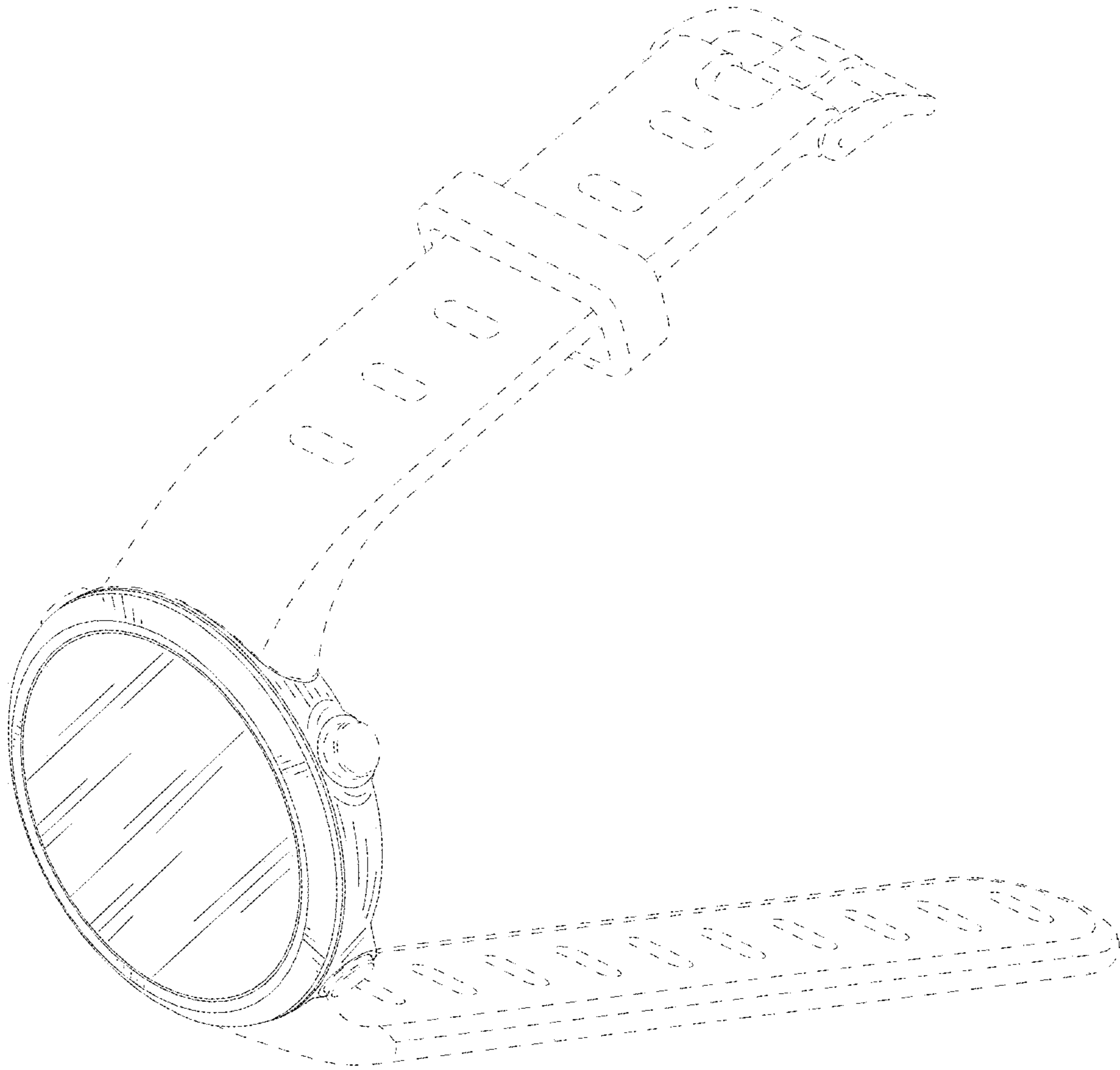


Fig. 1

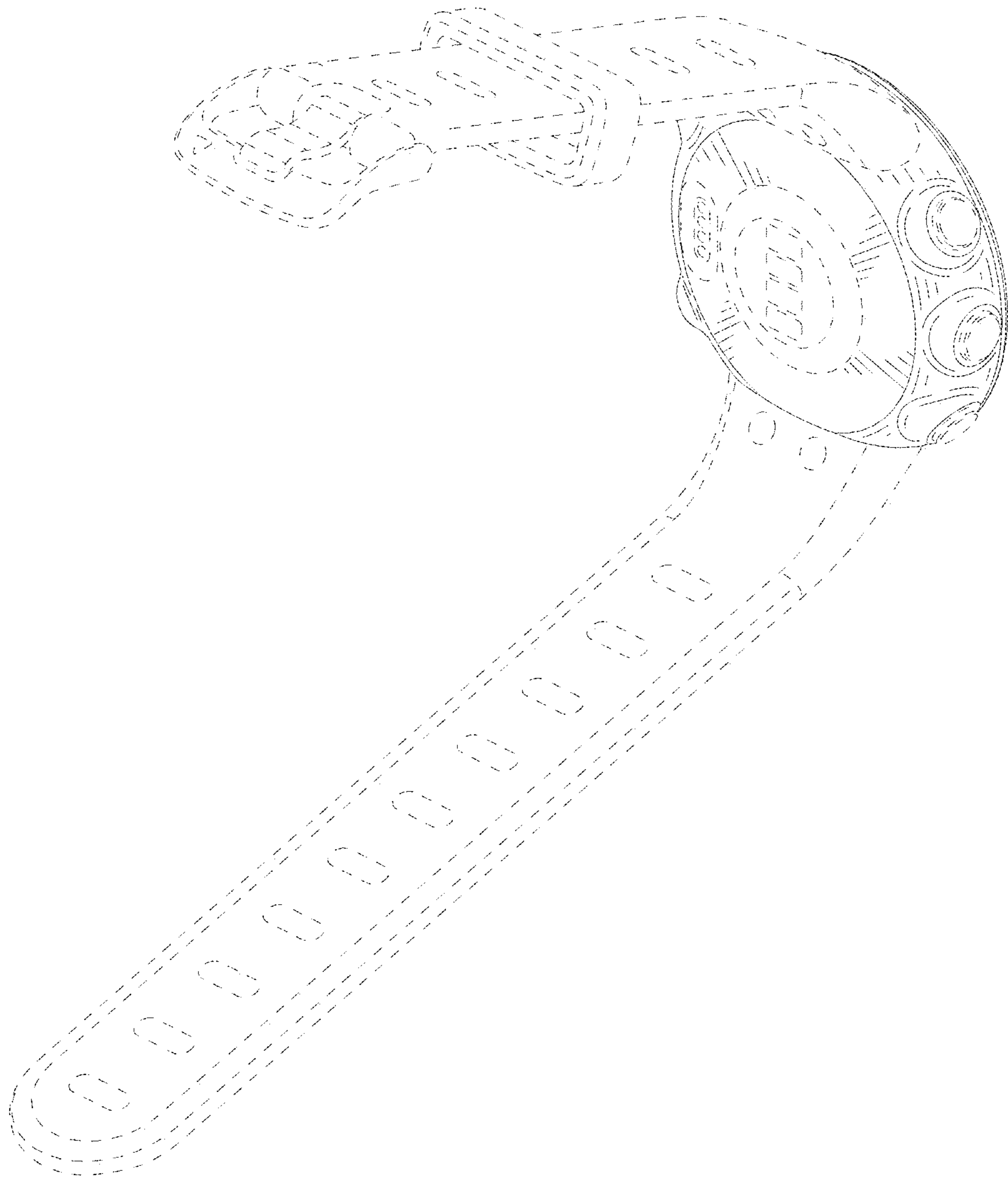


Fig. 2

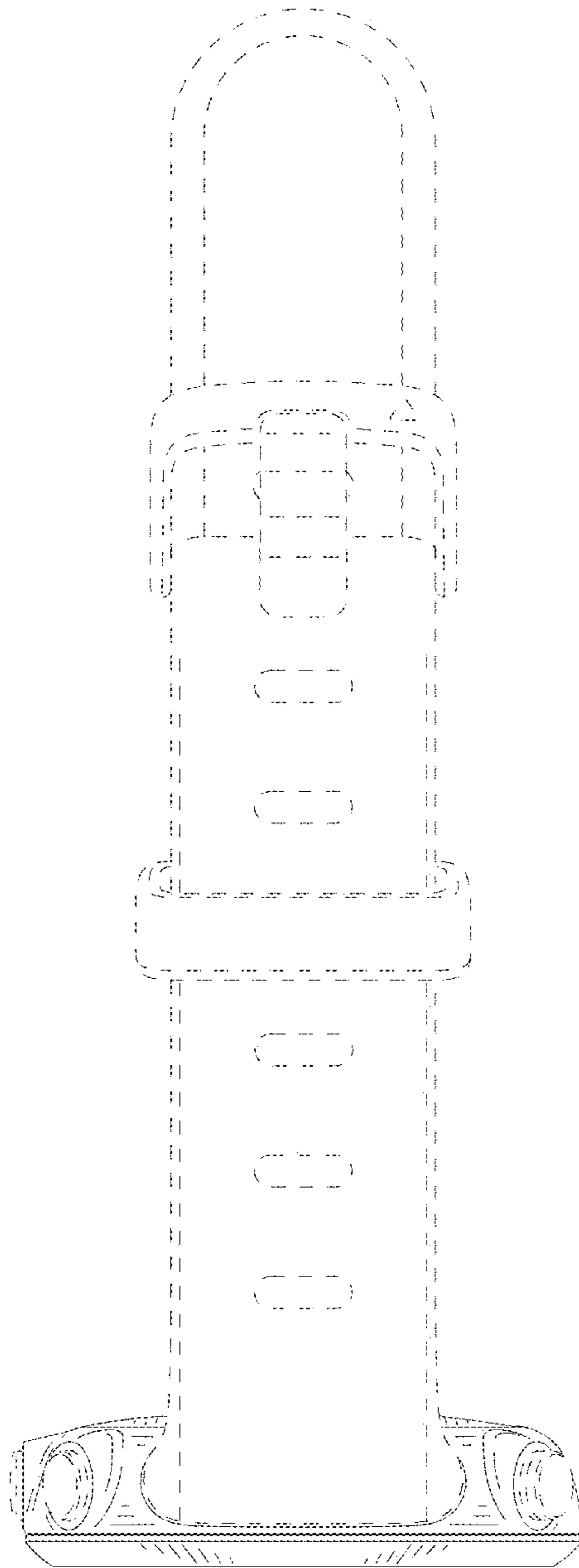


Fig. 3

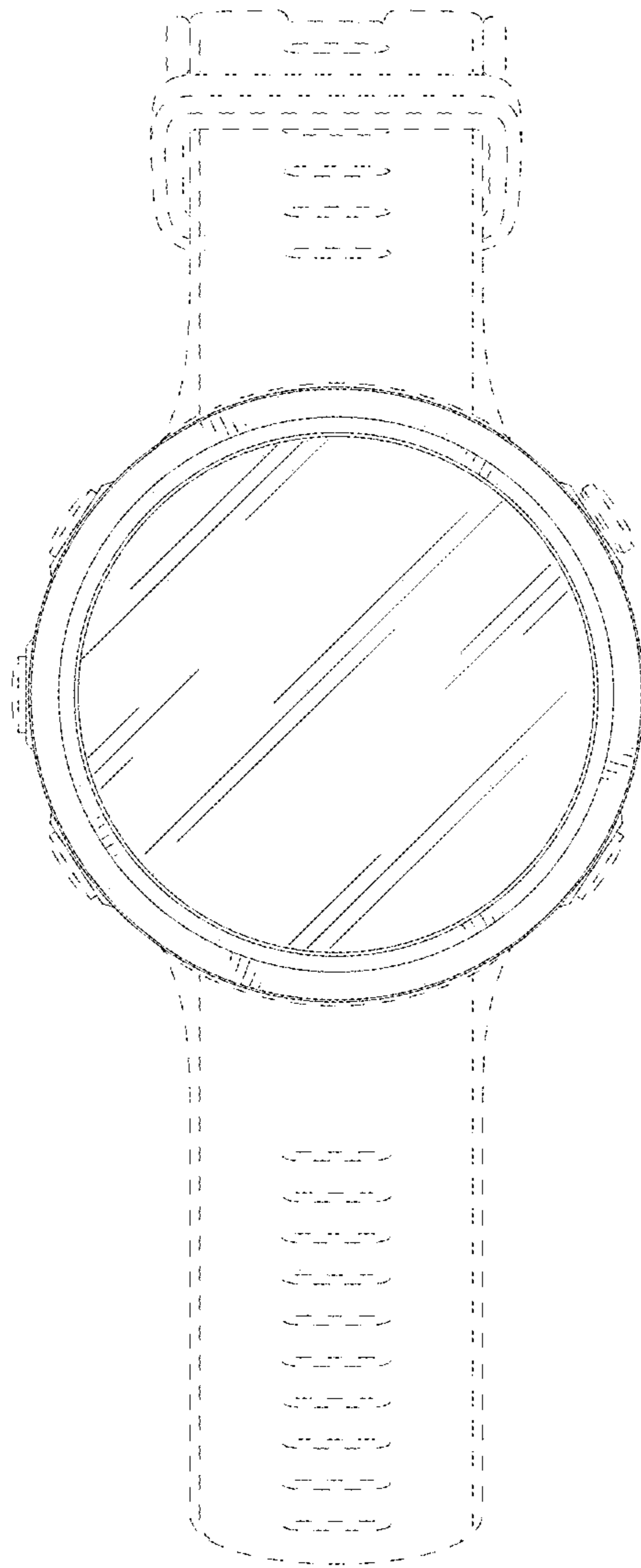


Fig. 4

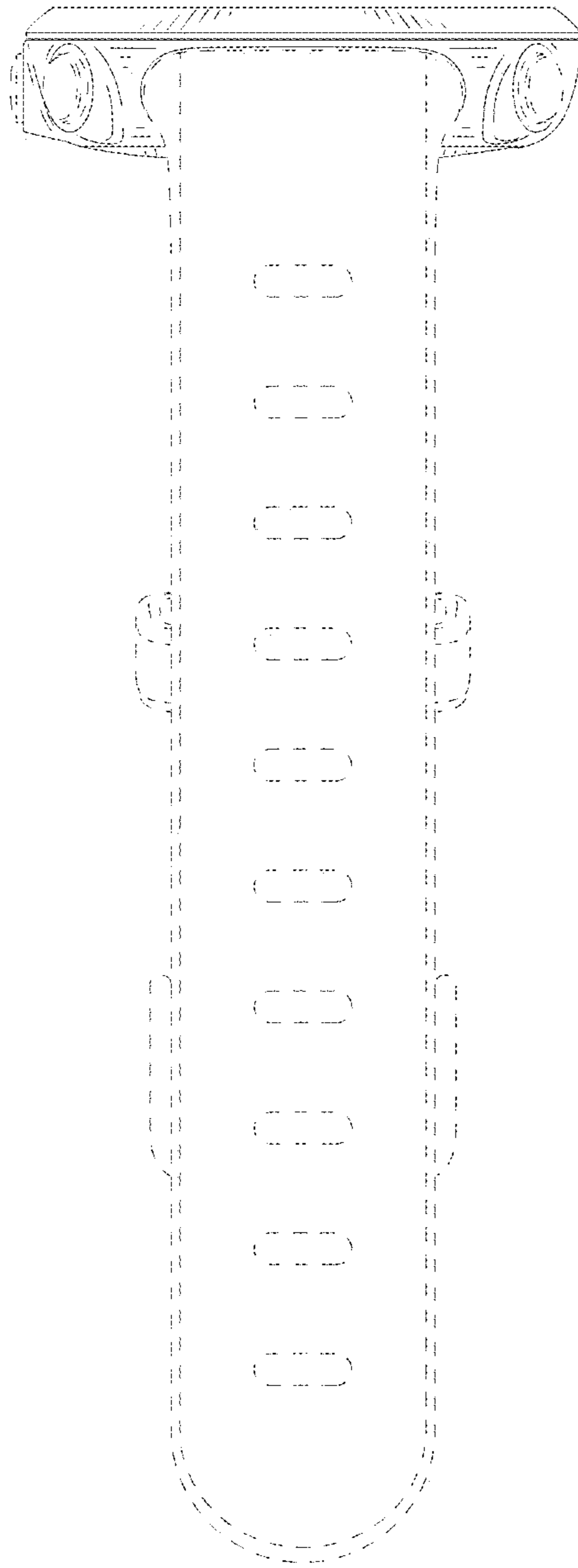


Fig. 5

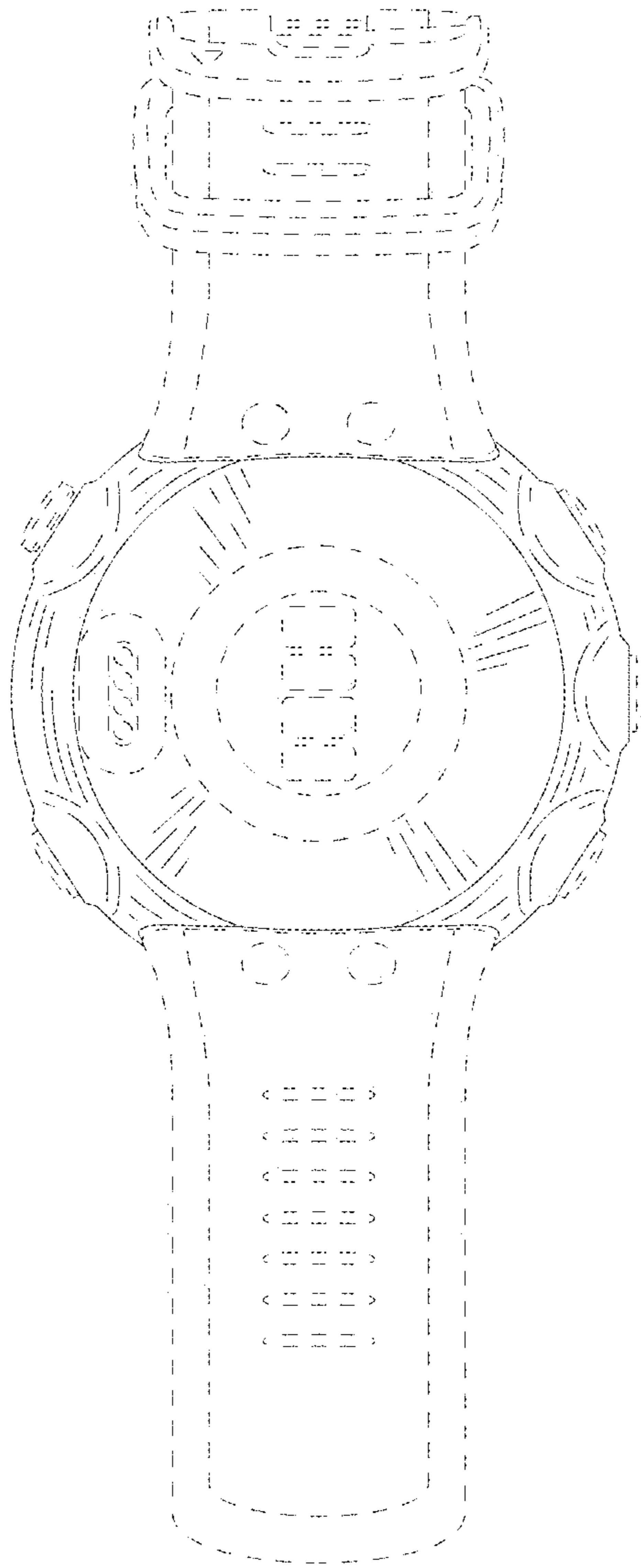


Fig. 6

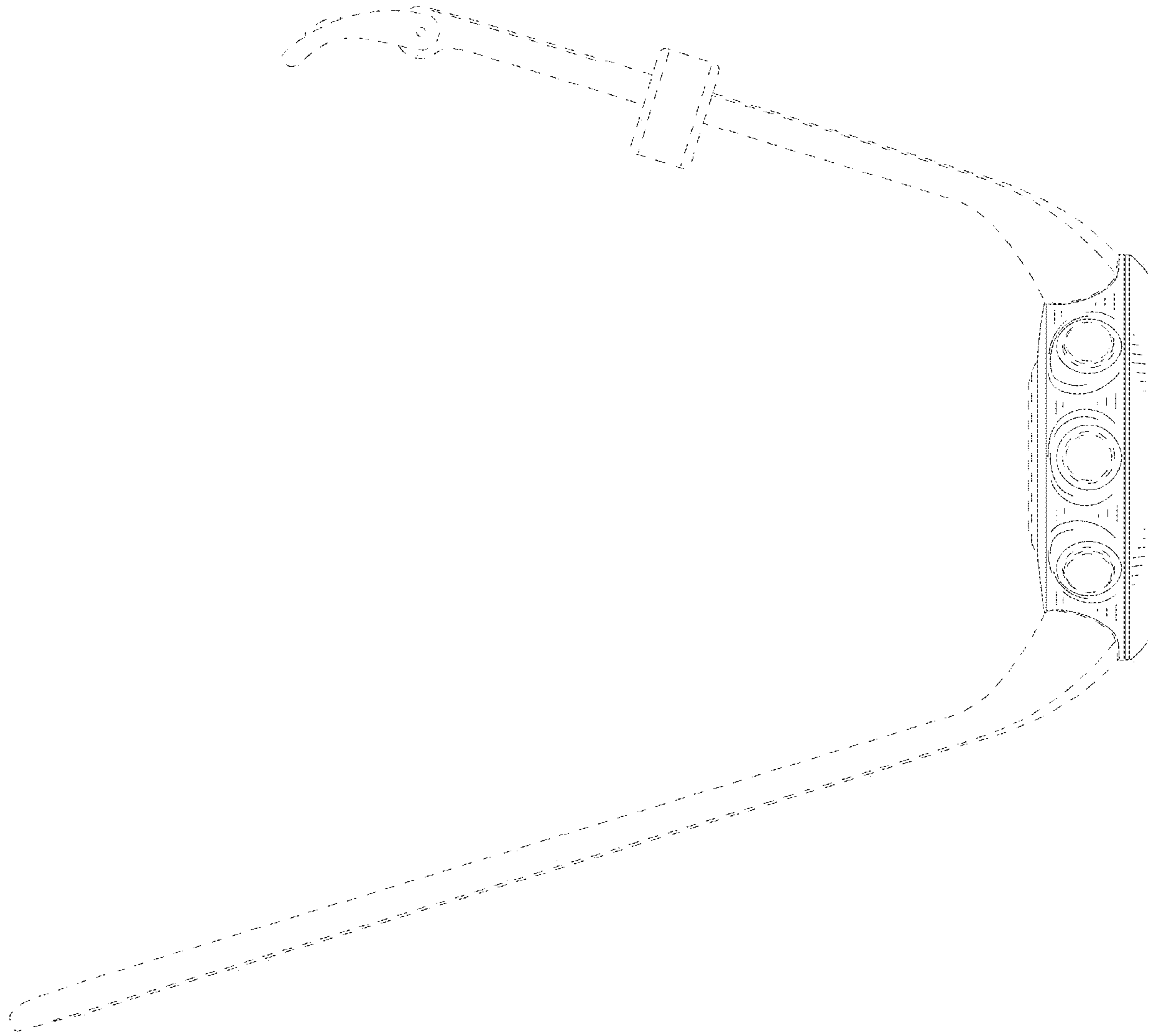


Fig. 7

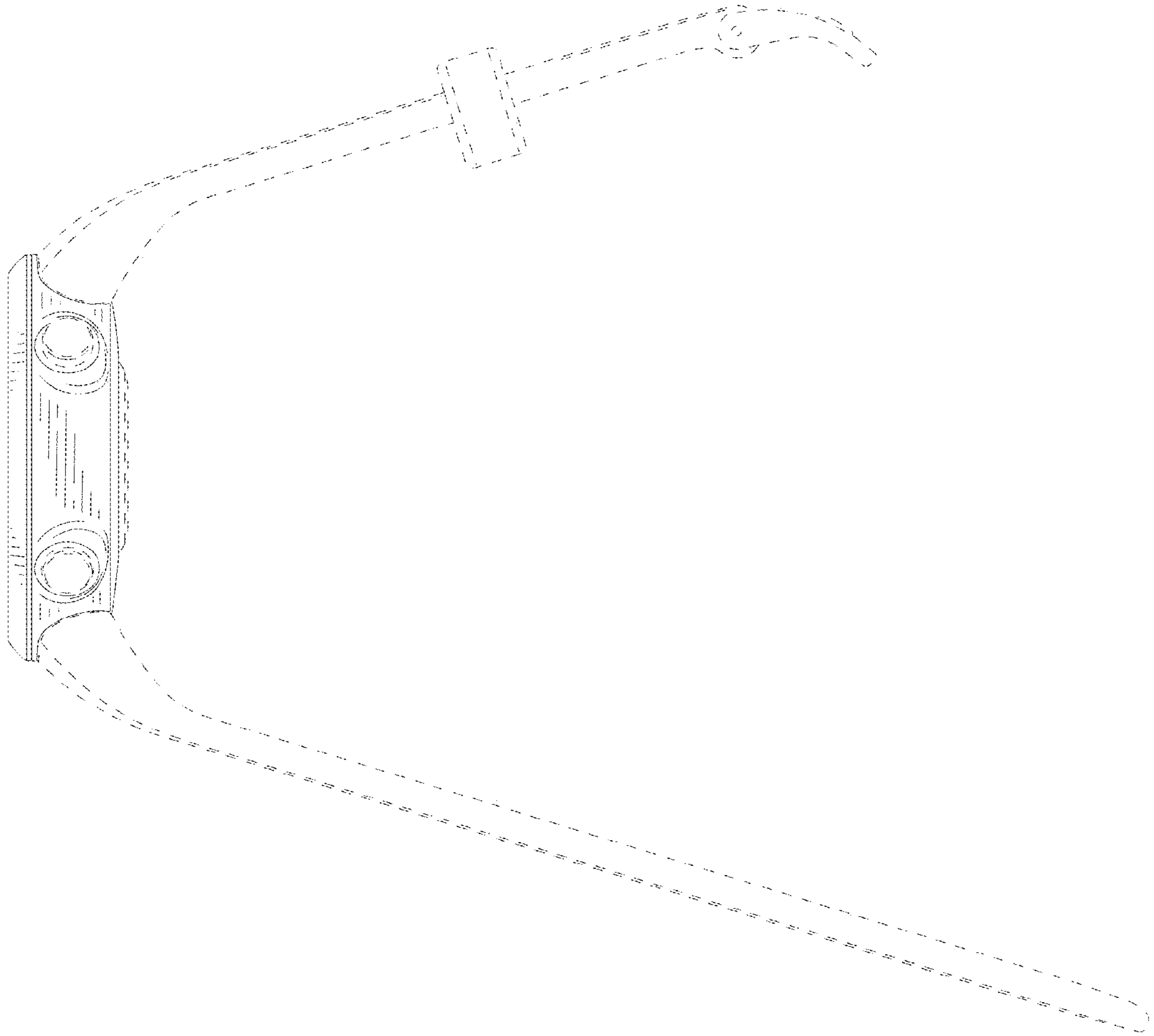


Fig. 8