



US00D887019S

(12) **United States Design Patent**  
**Wang**

(10) **Patent No.:** **US D887,019 S**  
(45) **Date of Patent:** **\*\* Jun. 9, 2020**

(54) **NECK MASSAGER**  
(71) Applicant: **SHENZHEN NOTO-TECH ELECTRONICS CO., LTD.**, Shenzhen (CN)  
(72) Inventor: **Wenxuan Wang**, Shenzhen (CN)  
(73) Assignee: **SHENZHEN NOTO-TECH ELECTRONICS CO., LTD.**, Shenzhen (CN)  
(\*\*) Term: **15 Years**

D703,827 S *	4/2014	Lee	.....	D24/215
D769,453 S	10/2016	Ma		
D812,238 S *	3/2018	Ho	.....	D24/200
D816,858 S *	5/2018	Gan	.....	D24/215
D817,508 S *	5/2018	Gan	.....	D24/215
D818,596 S *	5/2018	Zheng	.....	D24/200
D822,840 S *	7/2018	CampderÀ Lozano	.....	D24/200
D831,836 S *	10/2018	Campdera Lozano	.....	D24/200
D844,159 S *	3/2019	McKeown	.....	D24/200
D847,361 S *	4/2019	Lee	.....	D24/215
D849,256 S *	5/2019	Lin	.....	D24/200
D850,643 S *	6/2019	Zhong	.....	D24/215
D851,272 S	6/2019	Huang		
D852,974 S *	7/2019	Lee	.....	D24/215

\* cited by examiner

(21) Appl. No.: **29/725,340**  
(22) Filed: **Feb. 25, 2020**  
(51) **LOC (12) Cl.** ..... **28-03**  
(52) **U.S. Cl.**  
USPC ..... **D24/215**  
(58) **Field of Classification Search**  
USPC ..... D24/191, 200, 211, 212, 213, 214, 215  
CPC ..... A61H 1/00; A61H 23/004; A61H 7/002;  
A61H 7/007; A61H 2201/1609; A61H  
2205/062; A61H 2201/1614  
See application file for complete search history.

*Primary Examiner* — Cynthia Ramirez  
*Assistant Examiner* — Michael A Maharajh

(57) **CLAIM**

The ornamental design for a neck massager, as shown and described.

**DESCRIPTION**

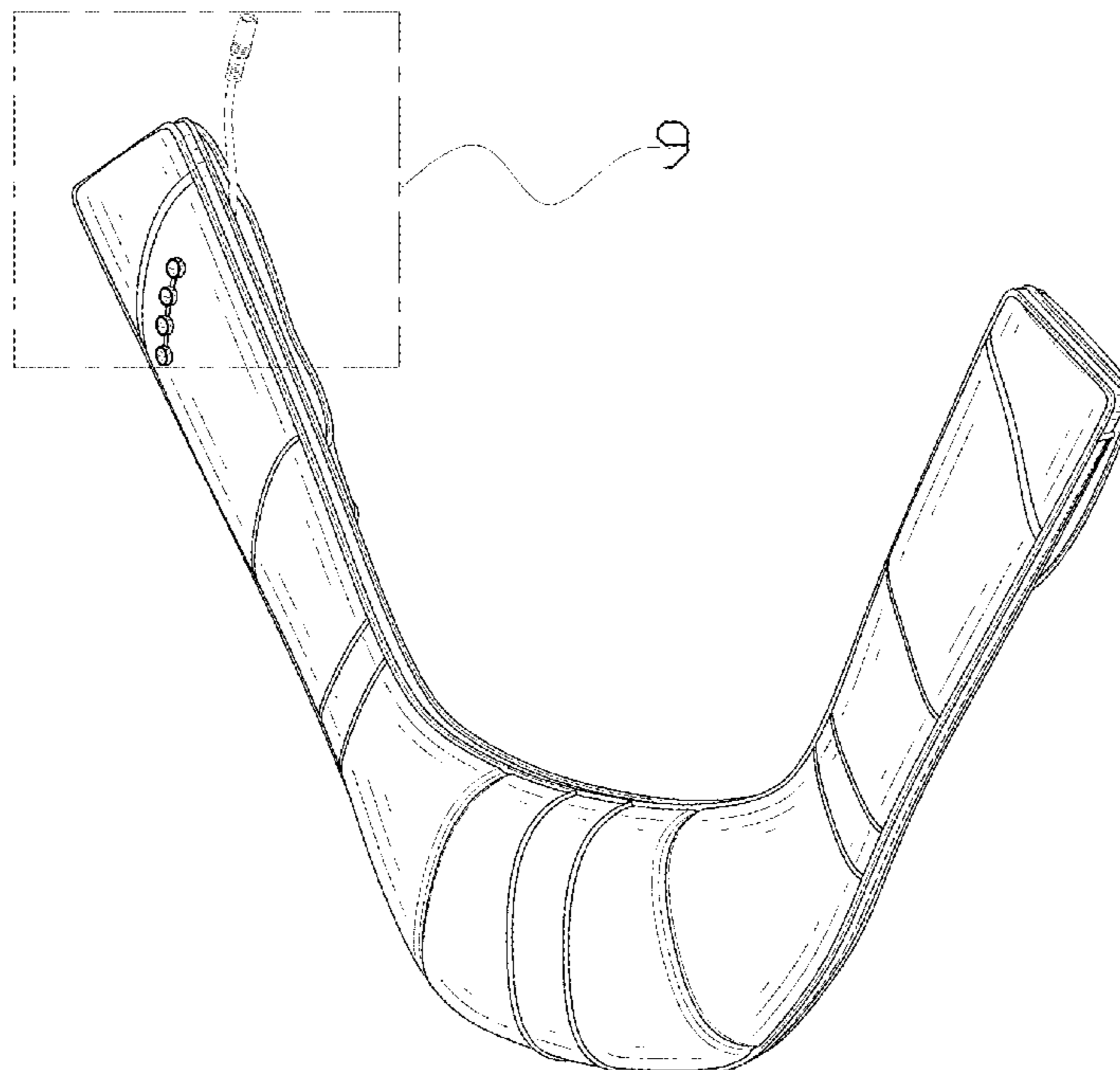
FIG. 1 is a perspective view of a neck massager showing my new design;  
FIG. 2 is another perspective view thereof;  
FIG. 3 is a front elevational view thereof;  
FIG. 4 is a rear elevational view thereof;  
FIG. 5 is a left side elevational view thereof;  
FIG. 6 is a right side elevational view thereof;  
FIG. 7 is a top plan view thereof;  
FIG. 8 is a bottom plan view thereof; and,  
FIG. 9 is an enlarged view of portion 9 shown in FIG. 1.  
The broken lines in the drawings depict portions of the neck massager that form no part of the claimed design.

(56) **References Cited**

U.S. PATENT DOCUMENTS

D389,584 S *	1/1998	Leventhal	.....	D24/200
D389,585 S *	1/1998	Leventhal	.....	D24/200
D393,317 S *	4/1998	Lange	.....	D24/215
D394,906 S *	6/1998	Lange	.....	D24/215
D609,818 S *	2/2010	Tsang	.....	D24/215
D649,655 S	11/2011	Petersen		
D674,501 S *	1/2013	Petersen	.....	D24/215
D685,107 S *	6/2013	Oller, Jr.	.....	D24/215
D693,016 S *	11/2013	Ma	.....	D24/215

**1 Claim, 9 Drawing Sheets**



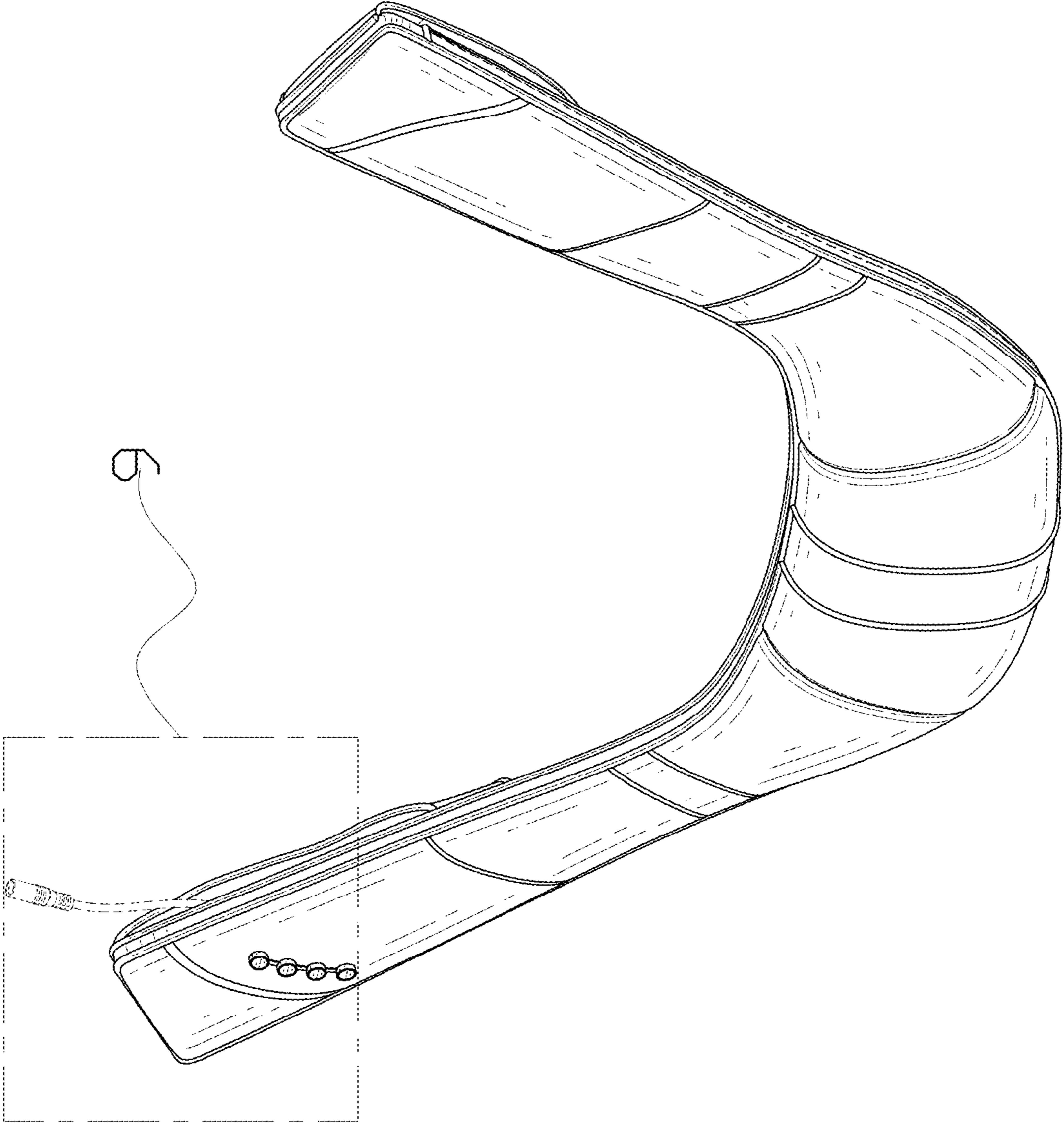


FIG. 1

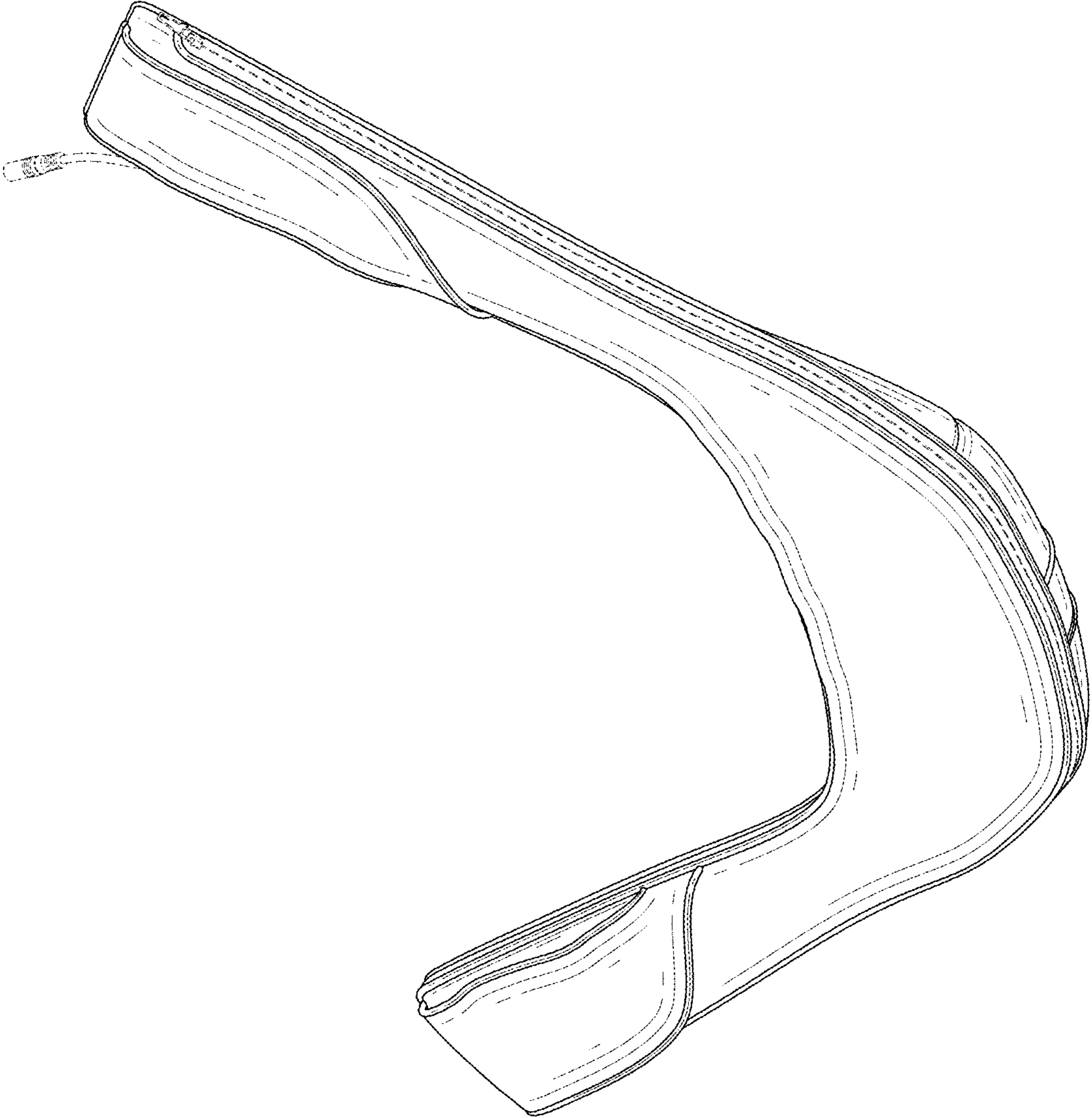


FIG. 2

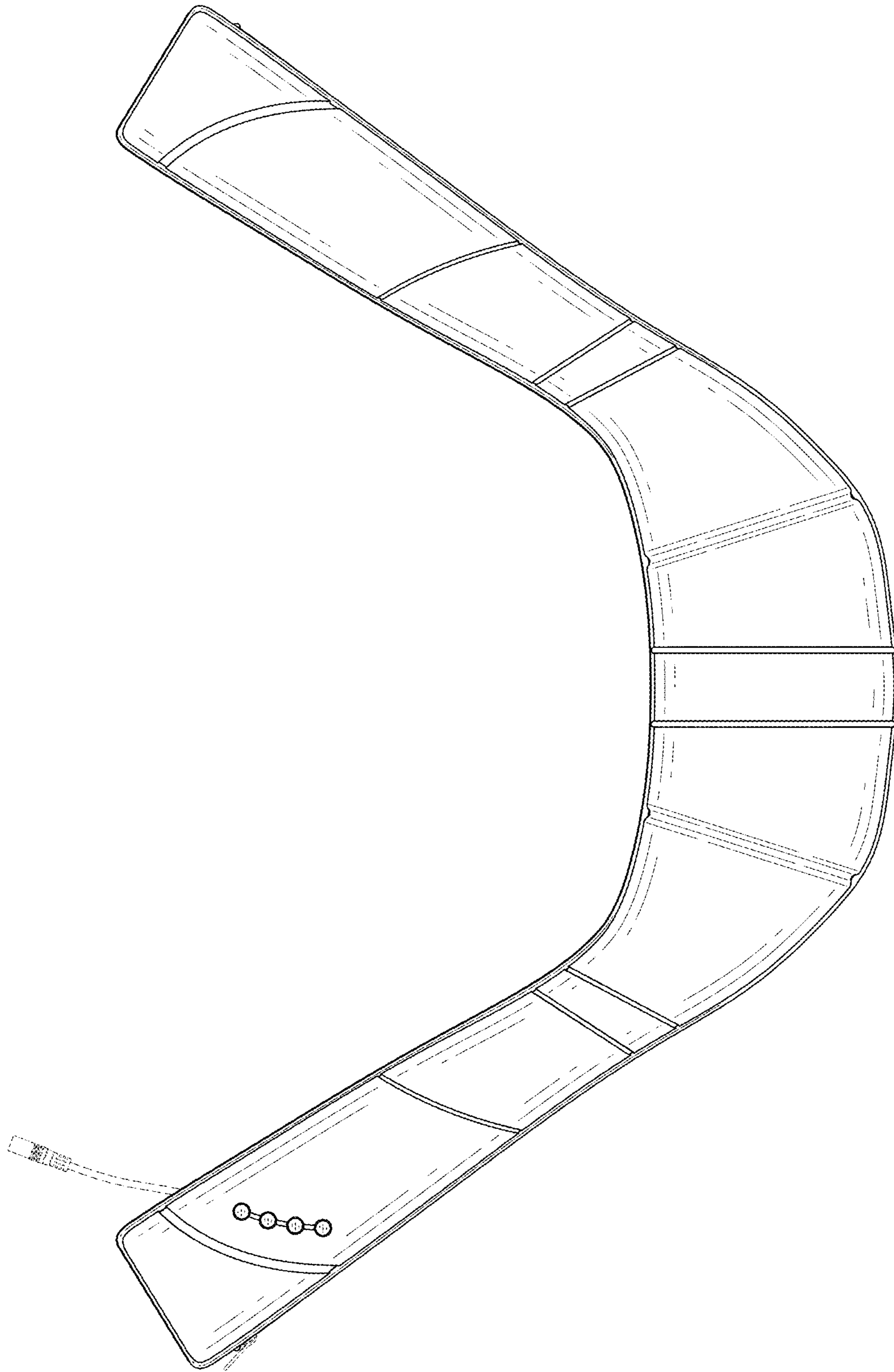


FIG. 3



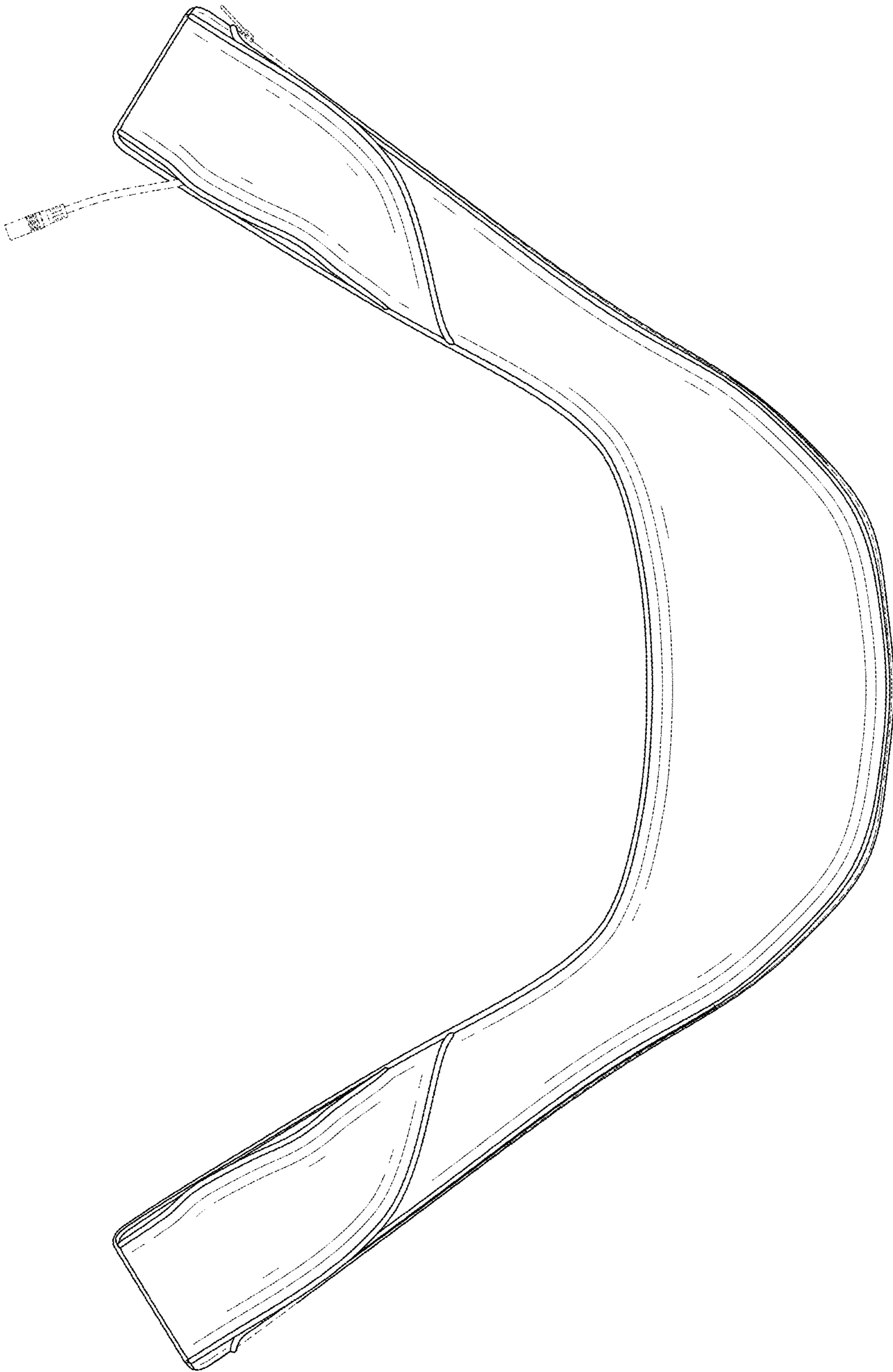


FIG. 4

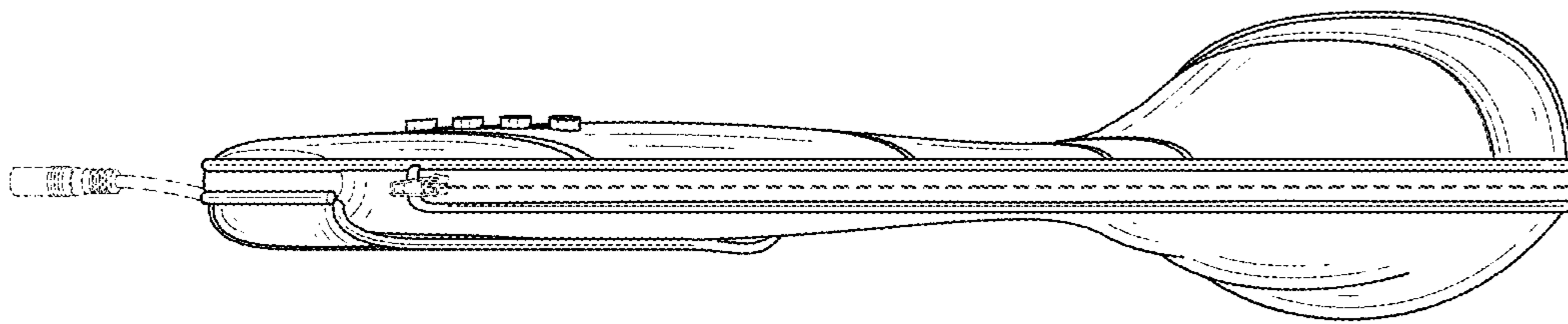


FIG. 5

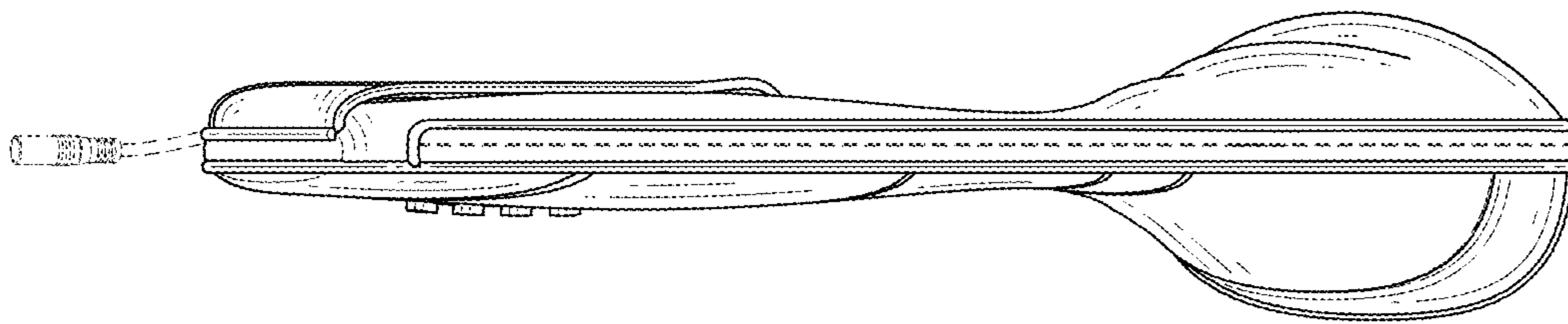


FIG. 6

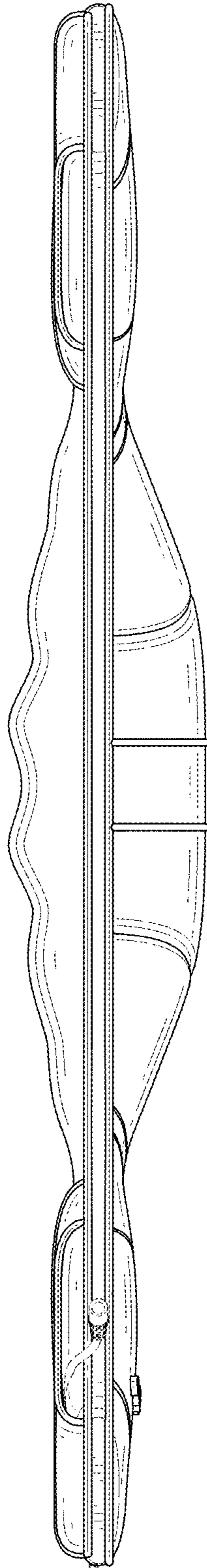


FIG. 7



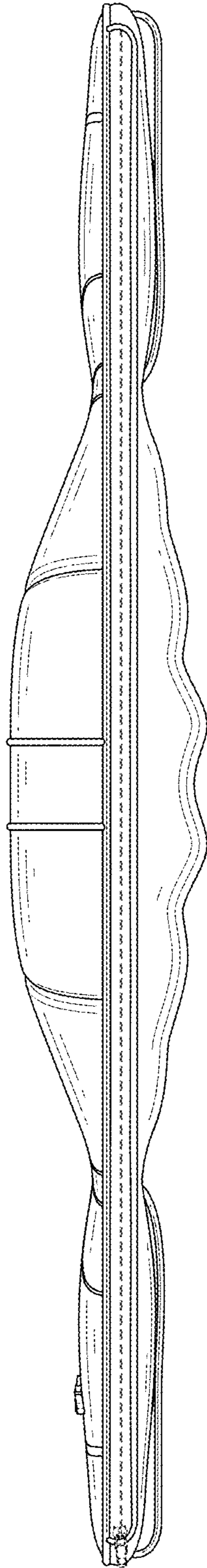


FIG. 8

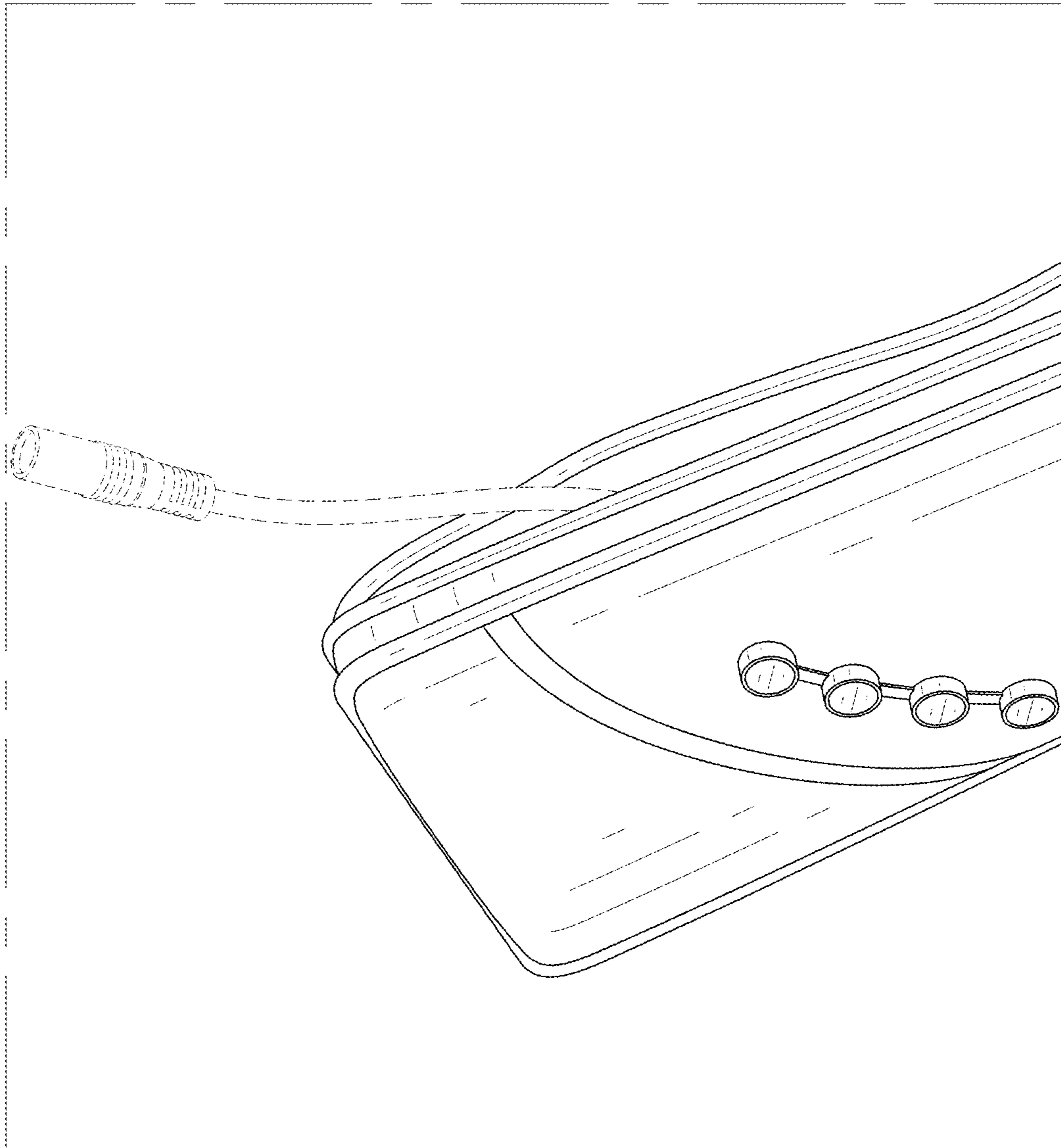


FIG. 9