



US00D872972S

(12) **United States Design Patent** (10) **Patent No.:** **US D872,972 S**  
**Caron et al.** (45) **Date of Patent:** **\*\* Jan. 21, 2020**

(54) **LEGGINGS**

(71) Applicant: **Blanqi, LLC**, Atlanta, GA (US)  
(72) Inventors: **Valerie Caron**, Fort Mill, SC (US);  
**Sabina Melarti**, Duluth, GA (US)  
(73) Assignee: **Blanqi, LLC**, Atlanta, GA (US)  
(\*\*) Term: **15 Years**

(21) Appl. No.: **29/656,295**  
(22) Filed: **Jul. 11, 2018**

(51) **LOC (12) Cl.** ..... **02-02**  
(52) **U.S. Cl.**  
USPC ..... **D2/742**  
(58) **Field of Classification Search**  
USPC ..... D2/712, 716, 722, 728, 731-732, 738,  
D2/742, 744-745, 747-748  
See application file for complete search history.

(56) **References Cited**

**U.S. PATENT DOCUMENTS**

337,316	A *	3/1886	Erlanger	.....	A41D 1/10 2/231
D31,541	S *	9/1899	Scriven	.....	D2/712
D747,592	S *	1/2016	Hammer	.....	D2/742
D750,348	S *	3/2016	Hammer	.....	D2/742
D774,731	S	12/2016	Harris et al.		
D780,405	S *	3/2017	Wenzel	.....	D2/742
D783,941	S *	4/2017	Suarez	.....	D2/742
D785,292	S *	5/2017	Kandarian	.....	D2/742
D790,161	S *	6/2017	Lee	.....	D2/742
D798,027	S *	9/2017	Brown	.....	D2/731
D804,781	S *	12/2017	Kositchirnant	.....	D2/731
D846,836	S *	4/2019	Cristiani	.....	D2/731
2018/0255854	A1 *	9/2018	Correia-Thomas	.....	A41D 31/0061

**OTHER PUBLICATIONS**

SportSupport Hipster Contour Legging; BLANQI Website; Earliest Review Sep. 11, 2018; Visited Online Aug. 29, 2019; <https://www.>

blanqi.com/collections/support-bottoms/products/sport-support-hipster-contour-legging?variant=12174620196972&bf=0#shopify-product-reviews (Year: 2018).\*  
BLANQI SportSupport Hipster Cuffed Leggings; First Available Date Jun. 11, 2018; Visited Online Aug. 28, 2019; Visited Online Aug. 28, 2019; <https://www.amazon.com/BLANQI-SportSupport-Hipster-Cuffed-Leggings/> (Year: 2018).\*

(Continued)

*Primary Examiner* — Amy C Wierenga  
(74) *Attorney, Agent, or Firm* — Lerner, David, Littenberg, Krumholz & Mentlik, LLP

(57) **CLAIM**

The ornamental design for leggings, as shown and described.

**DESCRIPTION**

This application is related to U.S. application Ser. No. 29/656,297 filed Jul. 11, 2018, entitled “Leggings,” which is concurrently filed herewith, and the disclosure of which is incorporated herein by reference.

FIG. 1 is a front perspective view of leggings according to our new design;

FIG. 2 is a rear perspective view thereof;

FIG. 3 is a front elevation view thereof;

FIG. 4 is a rear elevation view thereof;

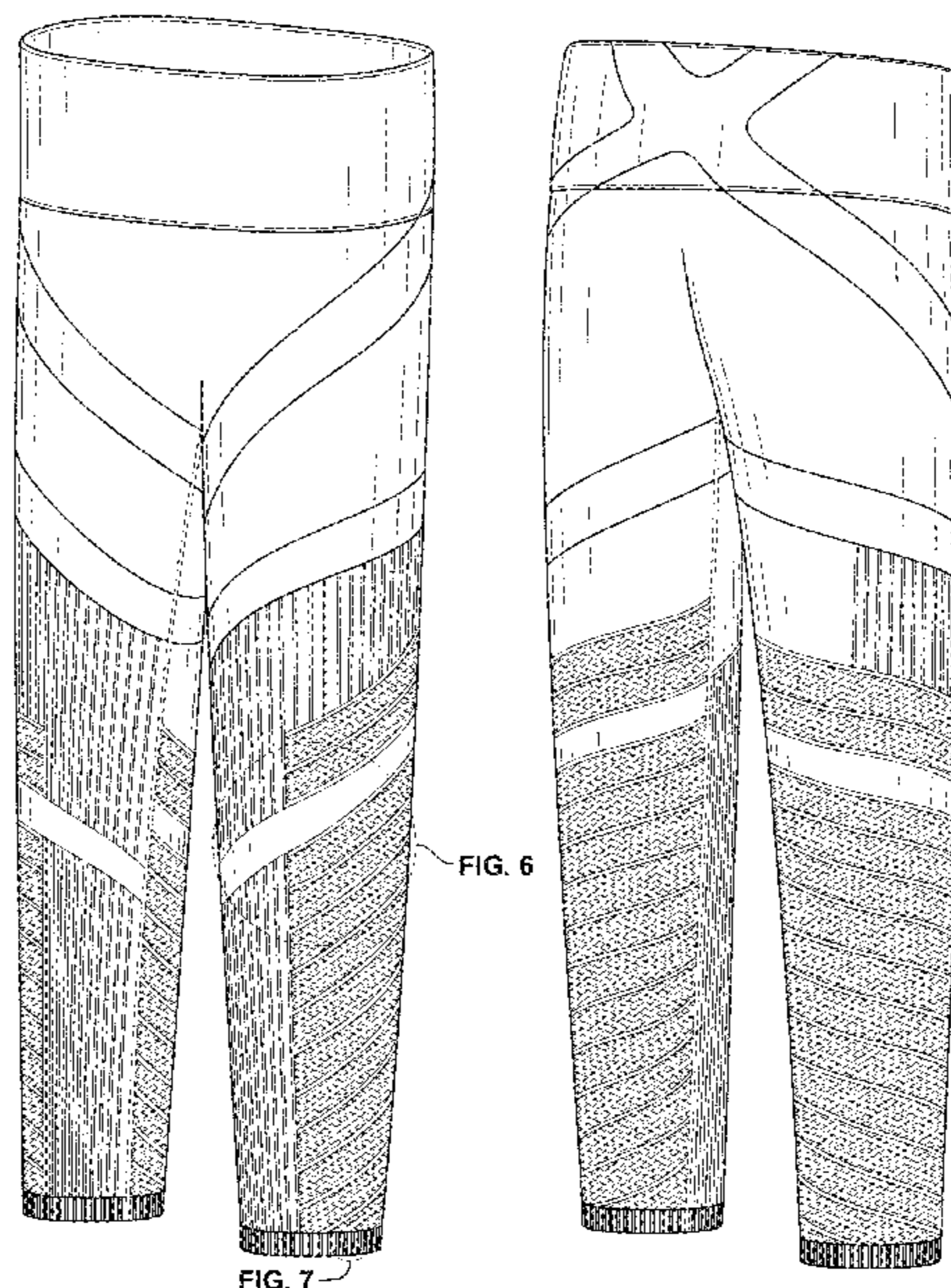
FIG. 5 is a right side elevation view thereof, the left side being a mirror image thereof;

FIG. 6 is an enlarged view of the corresponding section shown in FIG. 1; and,

FIG. 7 is an enlarged view of the corresponding section shown in FIG. 1.

The broken lines shown in the drawings are for the purpose of illustrating portions of the leggings that form no part of the claimed design. The broken line pattern shown between many of the diagonal stripes illustrates portions of the leggings that form no part of the claimed design.

**1 Claim, 7 Drawing Sheets**



(56)

**References Cited**

OTHER PUBLICATIONS

Caron et al., U.S. Appl. No. 29/656,236, filed Jul. 11, 2018, titled "Leggings".  
Caron et al., U.S. Appl. No. 29/656,241, filed Jul. 11, 2018, titled "Leggings".  
Caron et al., U.S. Appl. No. 29/656,262, filed Jul. 11, 2018, titled "Leggings".  
Caron et al., U.S. Appl. No. 29/656,275, filed Jul. 11, 2018, titled "Leggings".  
Caron et al., U.S. Appl. No. 29/656,285, filed Jul. 11, 2018, titled "Leggings".  
Caron et al., U.S. Appl. No. 29/656,297, filed Jul. 11, 2018, titled "Leggings".

\* cited by examiner

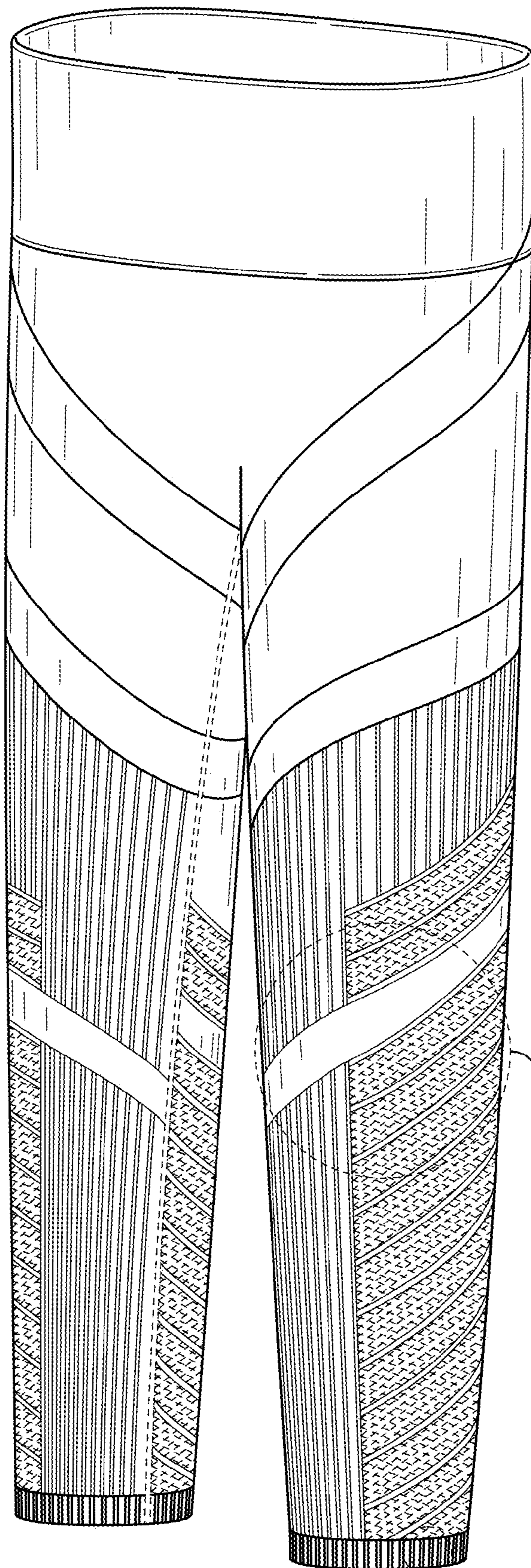


FIG. 6

FIG. 7

FIG. 1

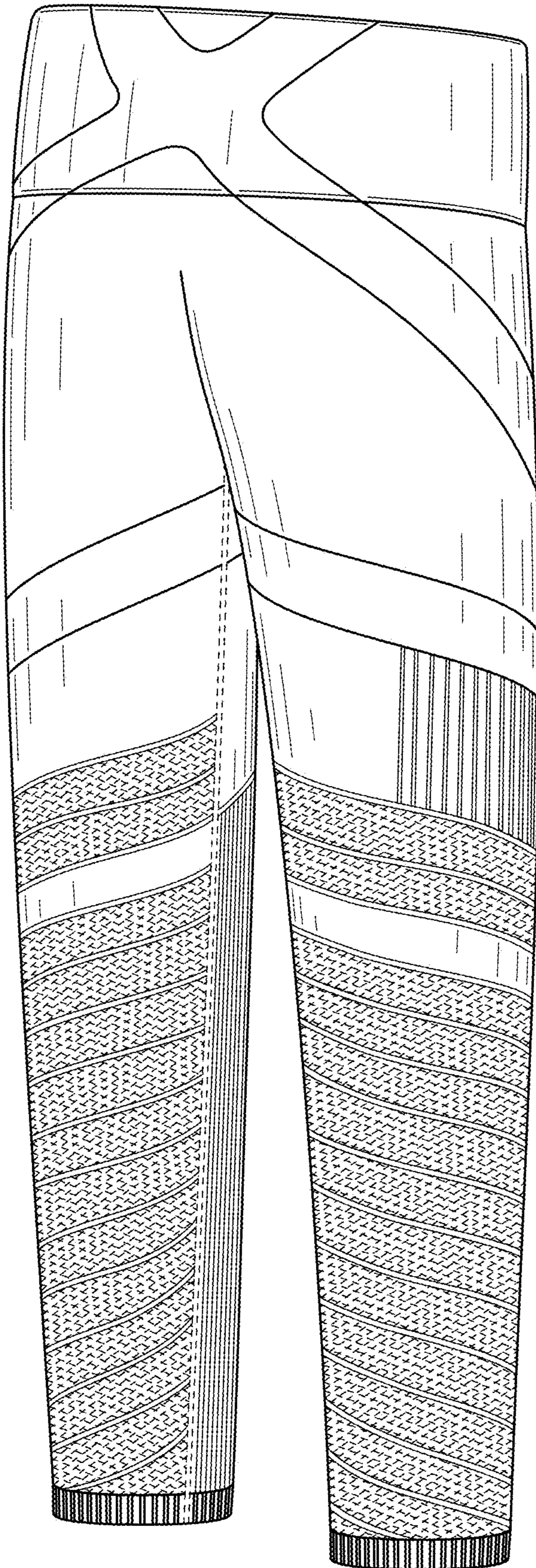


FIG. 2

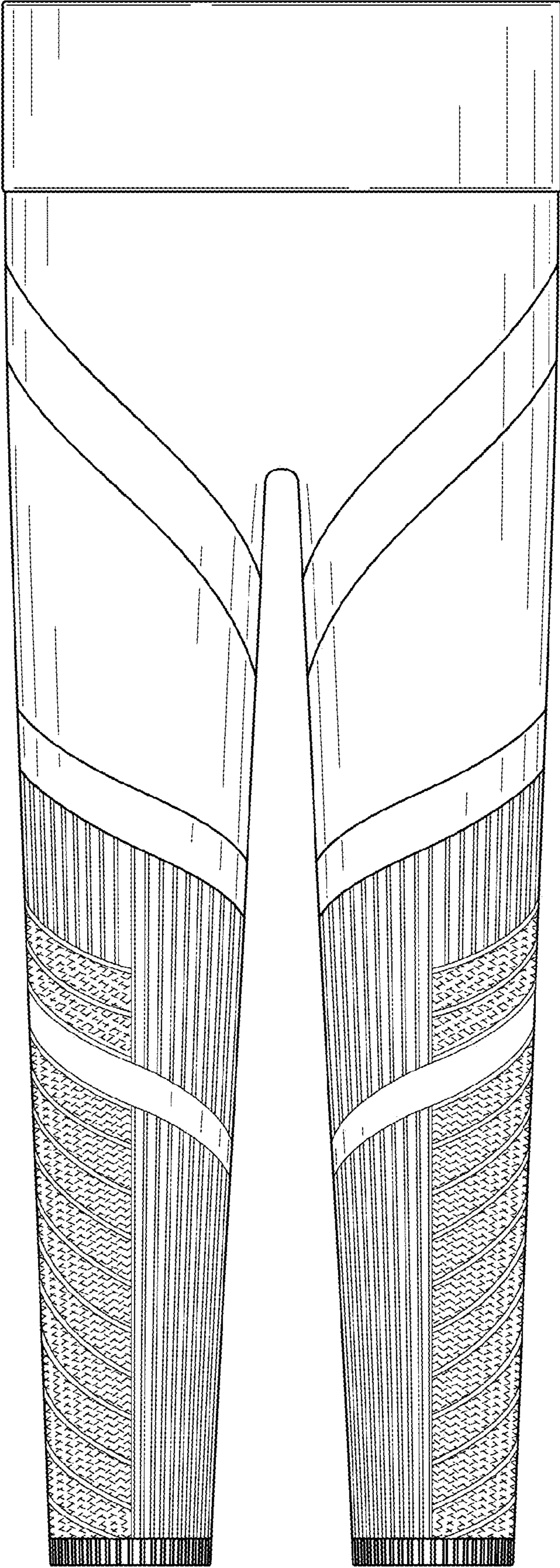


FIG. 3

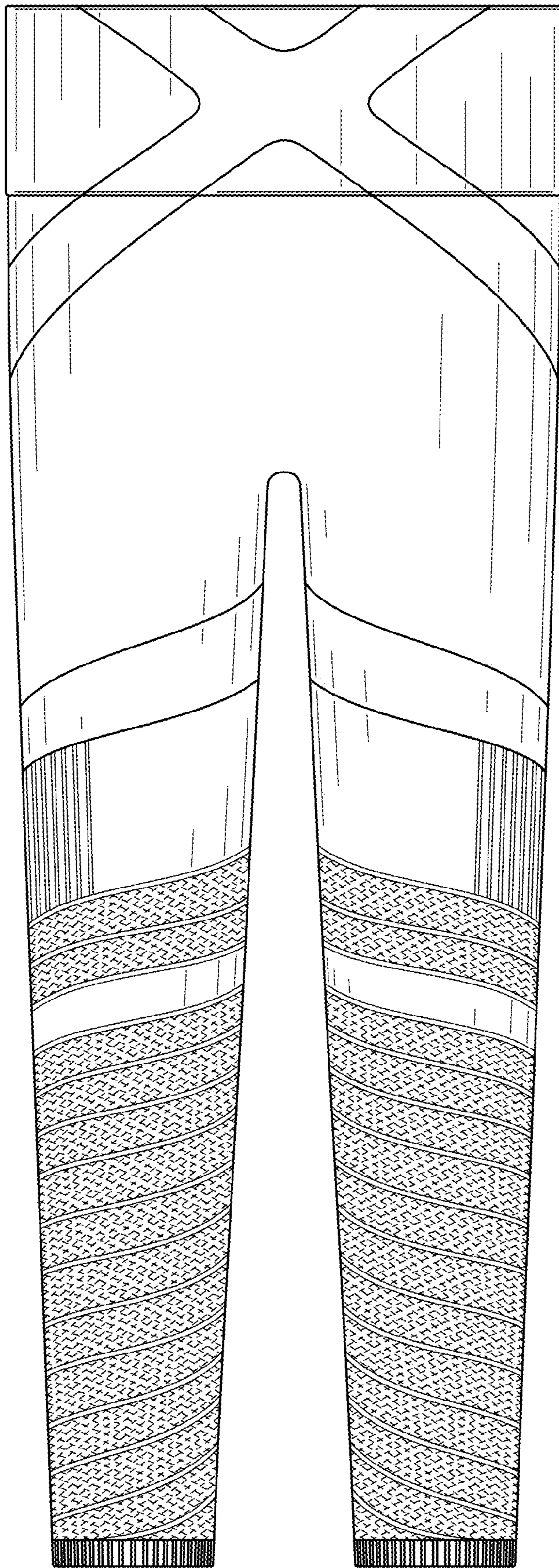


FIG. 4

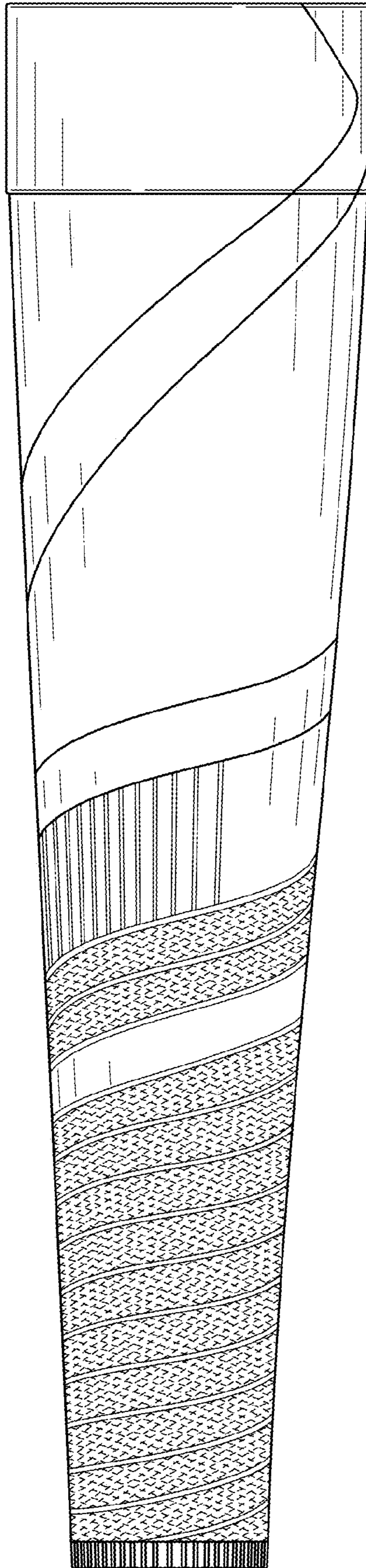


FIG. 5

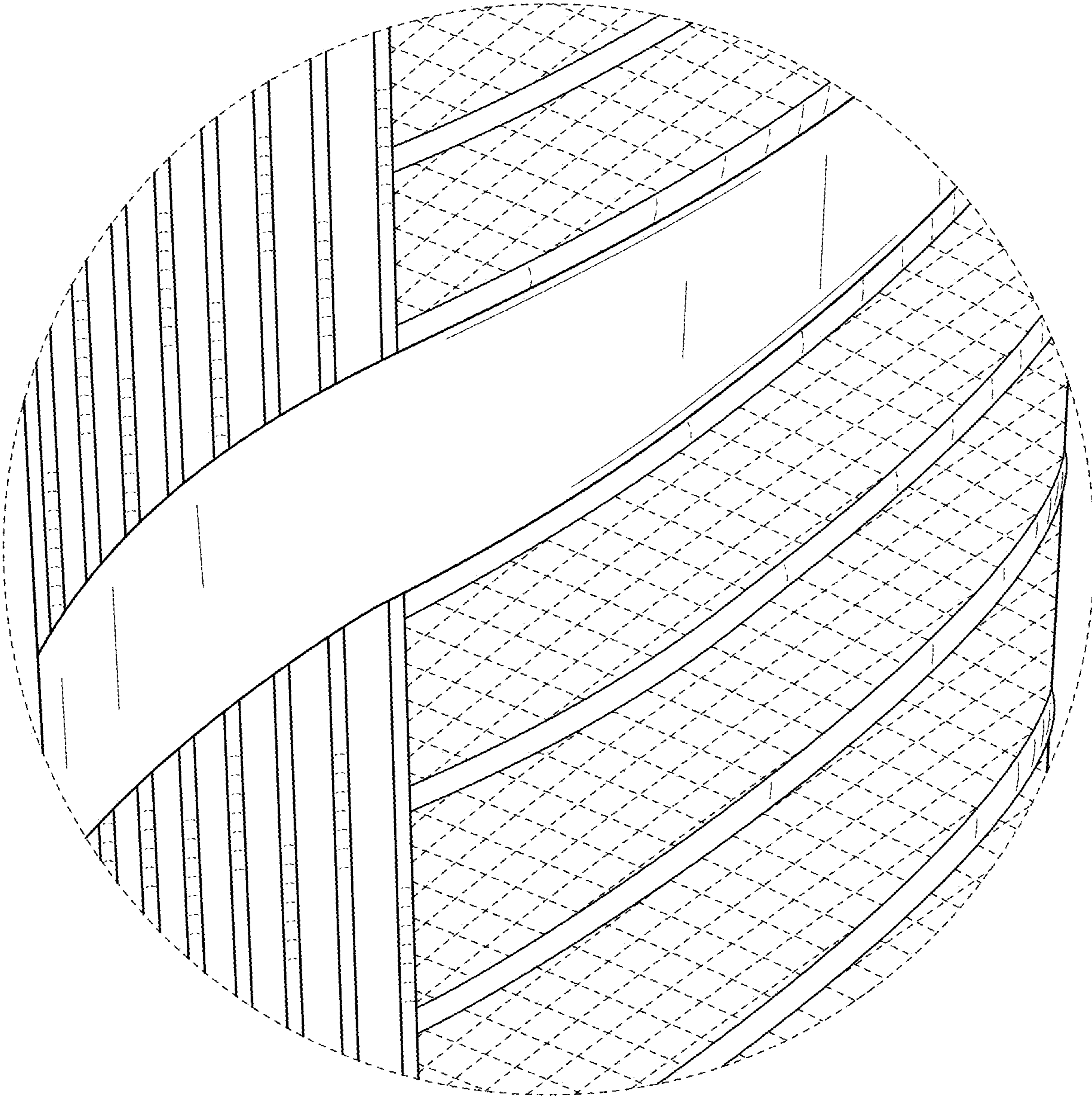


FIG. 6



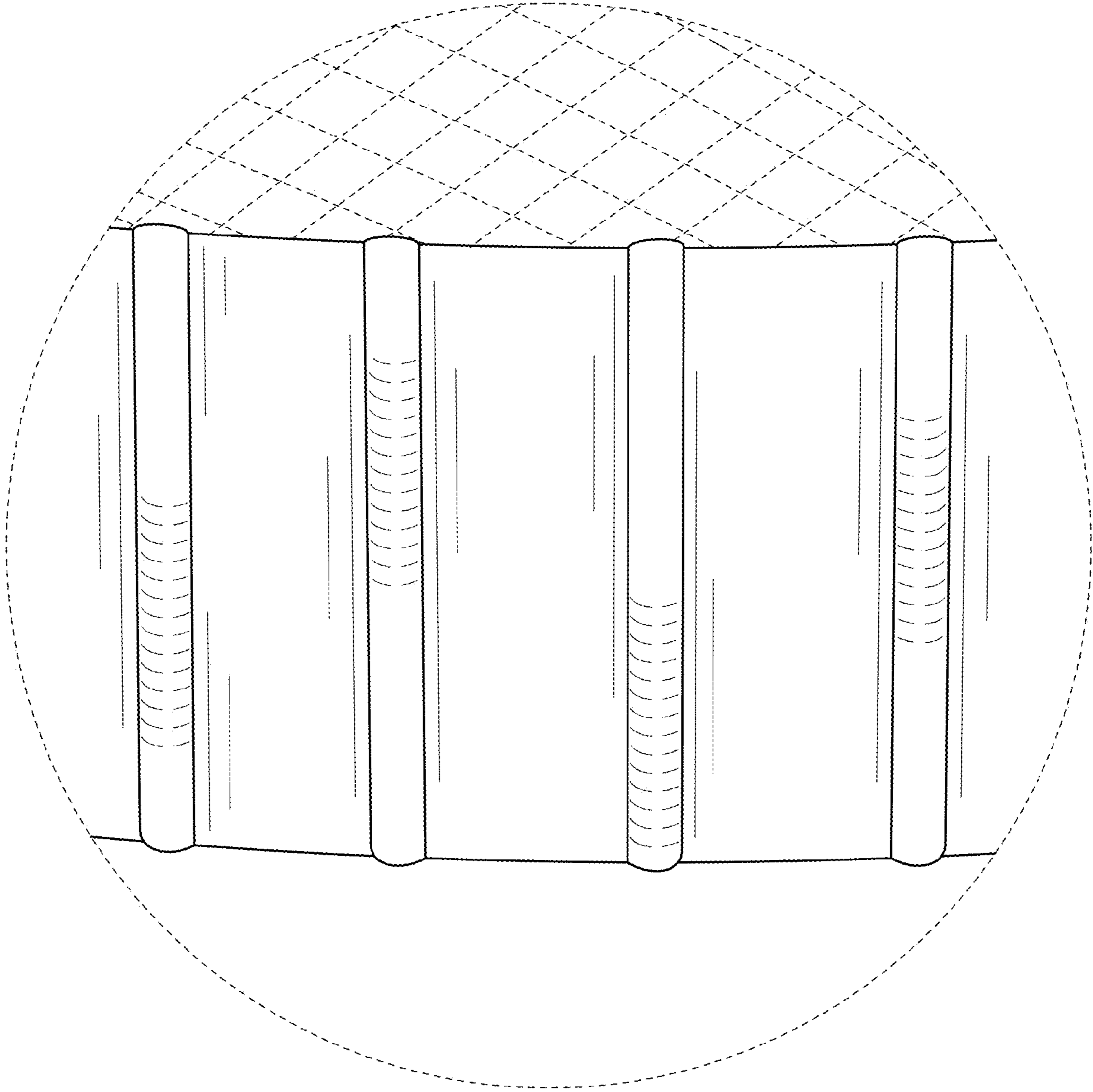


FIG. 7