



US00RE50216E

(19) **United States**
(12) **Reissued Patent**
O’Connell et al.

(10) **Patent Number: US RE50,216 E**
(45) **Date of Reissued Patent: Nov. 26, 2024**

(54) **CEILING FAN MOTOR HOUSING AND LIGHT KIT COMBINATION**

D488,554 S 4/2004 Bacon et al.
D547,436 S 7/2007 Shurtleff
D549,813 S 8/2007 Gajewski

(Continued)

(71) Applicant: **Hunter Fan Company**, Memphis, TN (US)

(72) Inventors: **Patrick R. O’Connell**, Germantown, TN (US); **Christine Marie Holmes Bradley**, Memphis, TN (US)

(73) Assignee: **Hunter Fan Company**, Memphis, TN (US)

(21) Appl. No.: **29/862,193**

(22) Filed: **Dec. 7, 2022**

Related U.S. Patent Documents

Reissue of:

(64) Patent No.: **Des. 904,597**
Issued: **Dec. 8, 2020**
Appl. No.: **29/713,784**
Filed: **Nov. 19, 2019**

U.S. Applications:

(62) Division of application No. 29/642,362, filed on Mar. 29, 2018, now Pat. No. Des. 888,221.

(51) **LOC (14) Cl.** **23-03**

(52) **U.S. Cl.**
USPC **D23/411**; D26/59

(58) **Field of Classification Search**
USPC D23/370, 377, 379, 385, 411, 413;
D26/59, 85, 86, 89

CPC F04D 25/088; F04D 29/38; F04D 29/384;
F04D 29/386; F21V 33/0096

See application file for complete search history.

(56) **References Cited**

U.S. PATENT DOCUMENTS

D414,857 S 10/1999 Zuege
D420,120 S 2/2000 Evans
D467,676 S * 12/2002 Packer D26/72

OTHER PUBLICATIONS

<http://www.homedepot.com/p/Hampton-Bay-Marlton-52-in-Indoor-Liquid-Nickel-Ceiling-Fan-YG305-LN/202529593>, Hampton Bay, Marlton 52 in. Indoor Liquid Nickel Ceiling Fan, Model No. YG0305-LN, accessed Sep. 21, 2017.

(Continued)

Primary Examiner — Darlington Ly

(74) *Attorney, Agent, or Firm* — McGarry Bair PC

(57) **CLAIM**

The ornamental design for a ceiling fan motor housing and light kit combination, as shown and described.

DESCRIPTION

FIG. 1 is a top perspective view of a ceiling fan motor housing and light kit combination shown in the environment of a ceiling fan, showing our new design;

FIG. 2 is a bottom perspective view thereof;

FIG. 3 is a top plan view of the motor housing and light kit combination, having the ceiling fan environment removed;

FIG. 4 is a bottom plan view thereof;

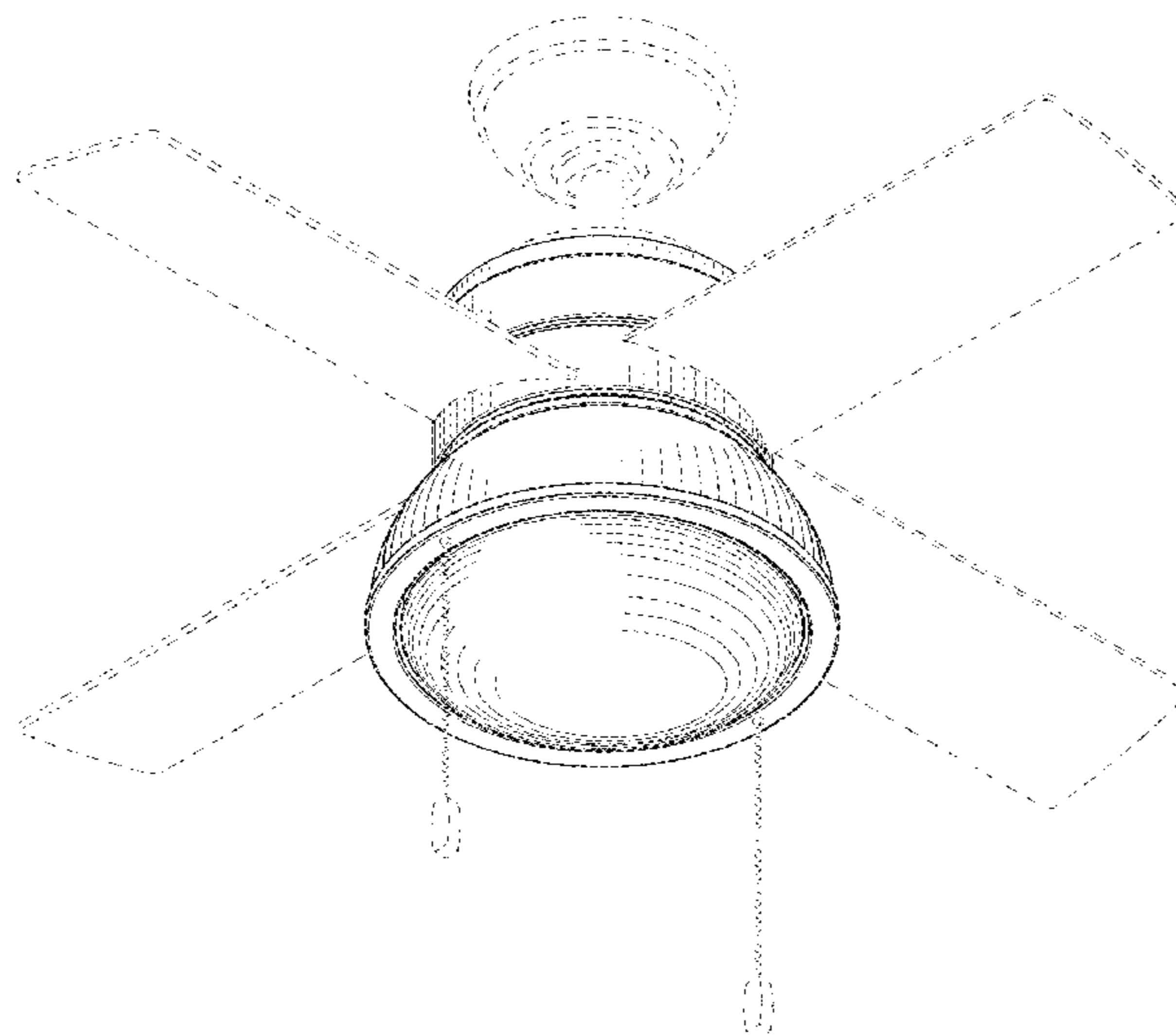
FIG. 5 is a front [side] *elevation* view thereof; and,

FIG. 6 is a right side *elevation* view thereof.

Portions of the ceiling fan environment and the ceiling fan motor housing and light kit combination are shown in broken lines. Portions shown in broken lines form no part of the claimed design.

1 Claim, 6 Drawing Sheets

Matter enclosed in heavy brackets [] appears in the original patent but forms no part of this reissue; matter printed in italics indicates the additions made by reissue.



(AMENDED)

(56)

References Cited

U.S. PATENT DOCUMENTS

D557,787 S 12/2007 Gajewski
 D567,988 S 4/2008 Lissoni
 D592,792 S 5/2009 Keller
 D599,459 S 9/2009 Hidalgo
 D632,381 S 2/2011 Davenport et al.
 D632,384 S 2/2011 Pan
 D632,412 S 2/2011 Pan
 D633,455 S 3/2011 Chiu
 D633,611 S 3/2011 Pan
 D704,821 S 5/2014 Wang
 D751,187 S 3/2016 Dolan
 D760,368 S 6/2016 Chen
 D783,145 S 4/2017 Wang
 D798,431 S 9/2017 McRoberts
 D800,289 S 10/2017 Guthrie
 D804,633 S 12/2017 Holmes
 D807,488 S 1/2018 McRoberts
 D810,919 S 2/2018 Haggar
 D826,395 S 8/2018 McRoberts et al.
 D827,123 S 8/2018 Guthrie
 D831,268 S 10/2018 Johnson
 D838,357 S 1/2019 Haggar
 D850,606 S 6/2019 Wang
 D854,677 S 7/2019 Haggar
 D877,316 S * 3/2020 Wang D23/411
 D904,597 S * 12/2020 O'Connell D26/59
 D917,685 S * 4/2021 Jung D23/364
 D920,499 S * 5/2021 Holmes D26/59
 D921,880 S * 6/2021 Haggar D23/377
 D933,193 S * 10/2021 Haggar D26/59
 D933,806 S * 10/2021 Haggar D23/377
 D936,813 S * 11/2021 McRoberts D23/377
 11,162,501 B1 * 11/2021 Dewitt F04D 29/646
 D939,133 S * 12/2021 McRoberts D26/118
 D948,700 S * 4/2022 McRoberts D26/59
 D969,302 S * 11/2022 Eiffert D23/411
 D972,711 S * 12/2022 Holmes Bradley D23/411
 D989,273 S * 6/2023 Haggar D23/413
 D989,275 S * 6/2023 Haggar D23/413

D991,435 S * 7/2023 McRoberts D23/411
 2005/0214145 A1 9/2005 Grinbergs
 2021/0099048 A1* 4/2021 Lin H02K 5/26

OTHER PUBLICATIONS

<https://www.menards.com/main/lighting-ceiling-fans/ceiling-fans/indoor-ceiling-fans/turn-of-the-century-reg-alban-52-brushed-nickel-led-ceiling-fan/p-1473854532487-c-7488.htm?tid=8991733599029403053&ipos=12>, Turn of the Century, Alban 52" Brushed Nickel LED Ceiling Fan, Model No. 20351, accessed Sep. 21, 2017.
<http://www.minkagroup.net/products/f534l-wh>, Minka Group, Lun-Aire 54" 5-Blade LED Ceiling Fan in White Finish with White Blades w/Etched Opal Glass, Model No. F534L-WH, accessed Sep. 21, 2017.
<http://www.minkagroup.net/products/f683l-gi>, Fanimation Xeno Ceiling Fan, Model No. FP6728, accessed Sep. 21, 2017.
<https://www.menards.com/main/lighting-ceiling-fans/ceiling-fans/indoor-ceiling-fans/turn-of-the-century-reg-alban-52-brushed-nickel-led-celling-fan/p-147385433248-c-7488.htm?tid=8991733599029403053&ipos=12>, Turn of the Century, Alban 52" Brushed Nickel LED Ceiling Fan, Model No. 20351, accessed Sep. 21, 2017.
<http://www.montecarlofans.com/53867/57-Destin---Brushed-Steel-3DSTR57BSD.html>, Monte Carlo Destin Collection, 57" Destin, Brushed Steel, Product No. 3DSTR57BSD, accessed Sep. 21, 2017.
<http://www.homedepot.com/p/Hampton-Bay-Merope-52-in-Satin-Nickel-Indoor-Ceiling-Fan-HE-12027/203838990>, Hampton Bay, Merope 52 in. Satin Nickel Indoor Ceiling Fan, Model No. HE-12027, accessed Sep. 21, 2017.
<http://www.hunterfan.com/Ceiling-Fans/Clanton?ModelNumber=59202>, Minka Group, Shade 45" 4-Blade LED Ceiling Fan in Grey Iron Finish with Matte Black Blades w/Clear Fresnel Glass, Model No. F683L-GI, accessed Sep. 21, 2017.
<http://www.fanimation.com/products/index.php/fans/xeno.html>, Hunter Fan, Clanton 52" Ceiling Fan in Brushed Steel Finish, Model No. 59202, accessed Sep. 21, 2017.

* cited by examiner

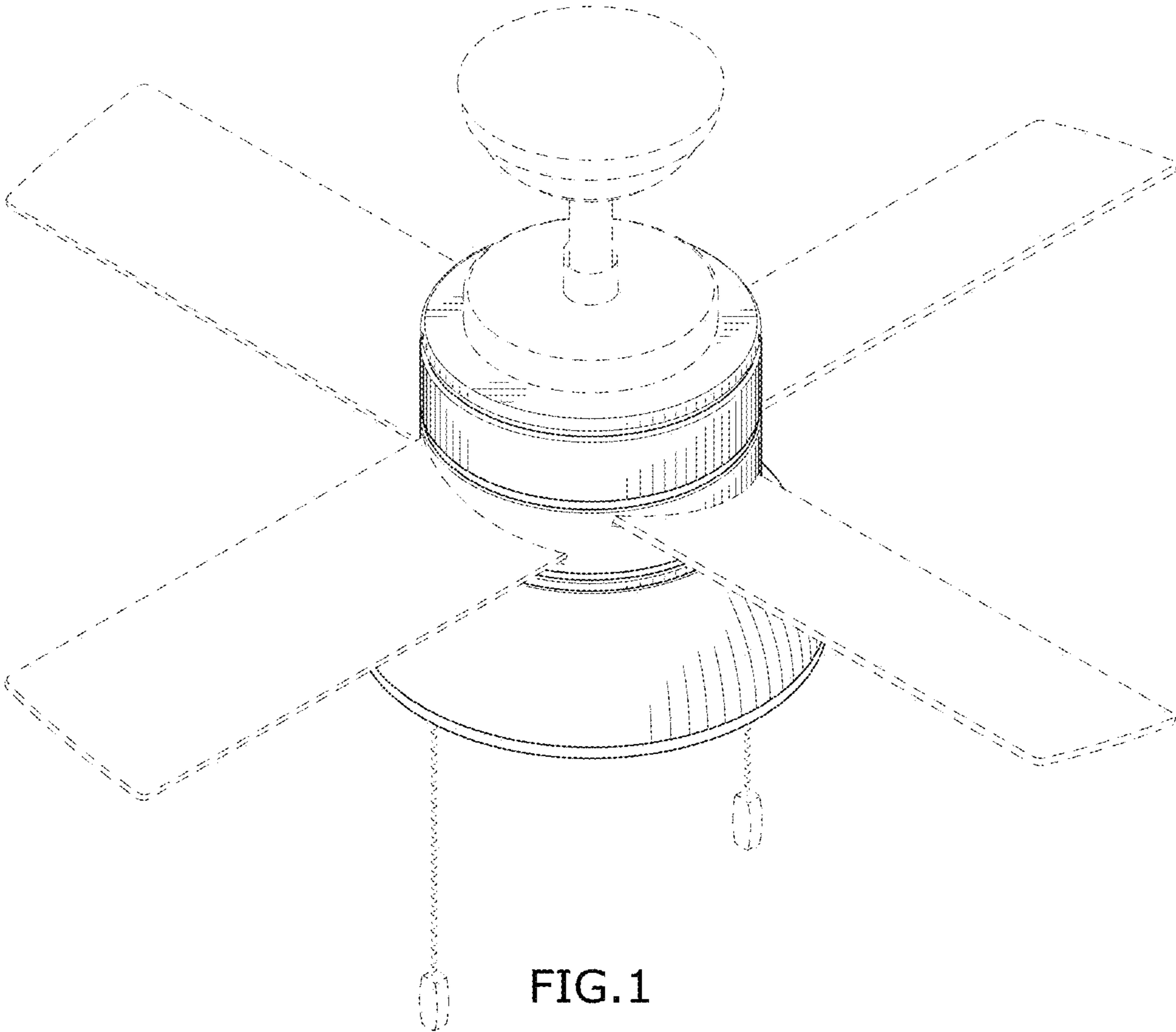


FIG.1

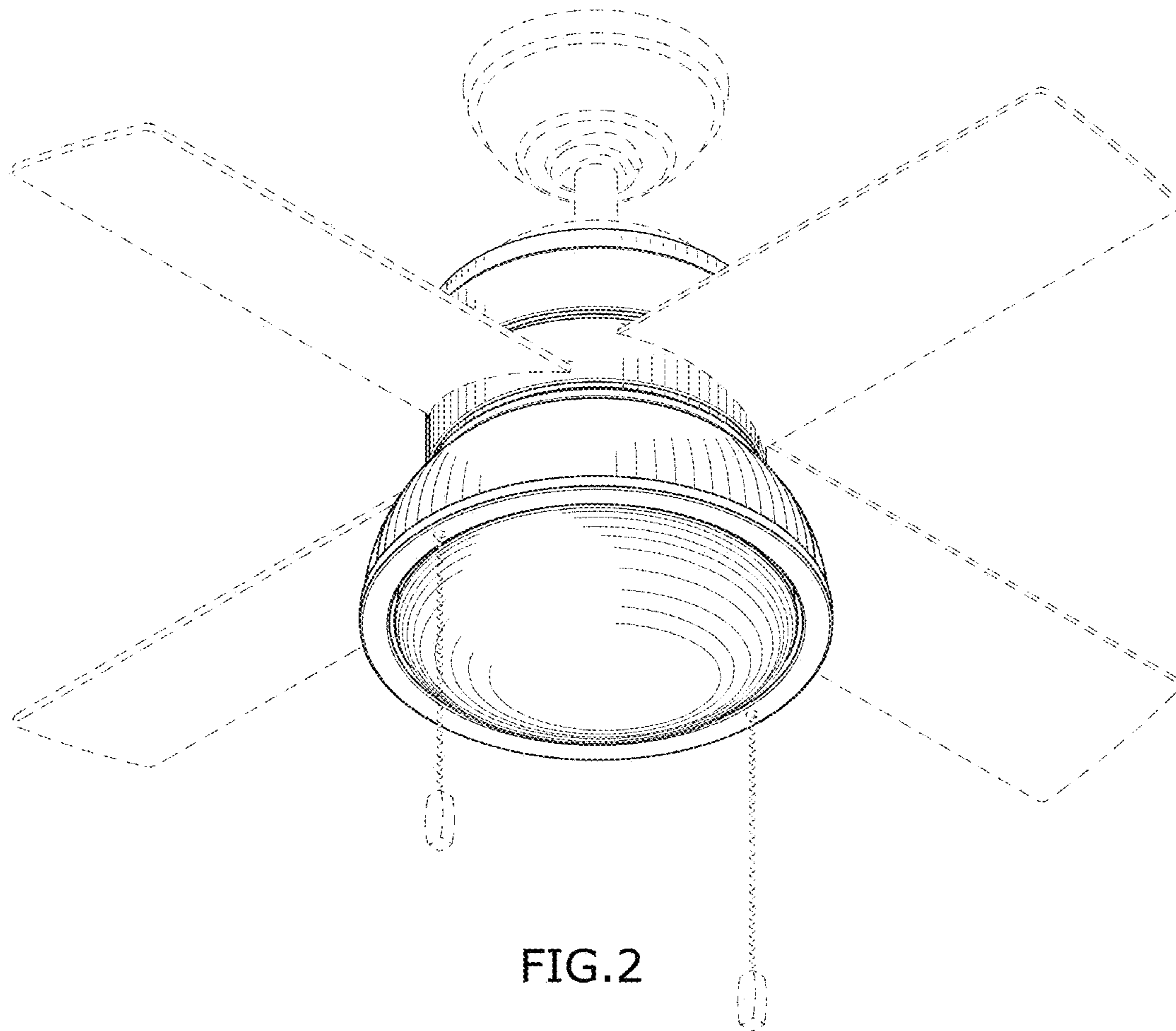


FIG.2
(AMENDED)

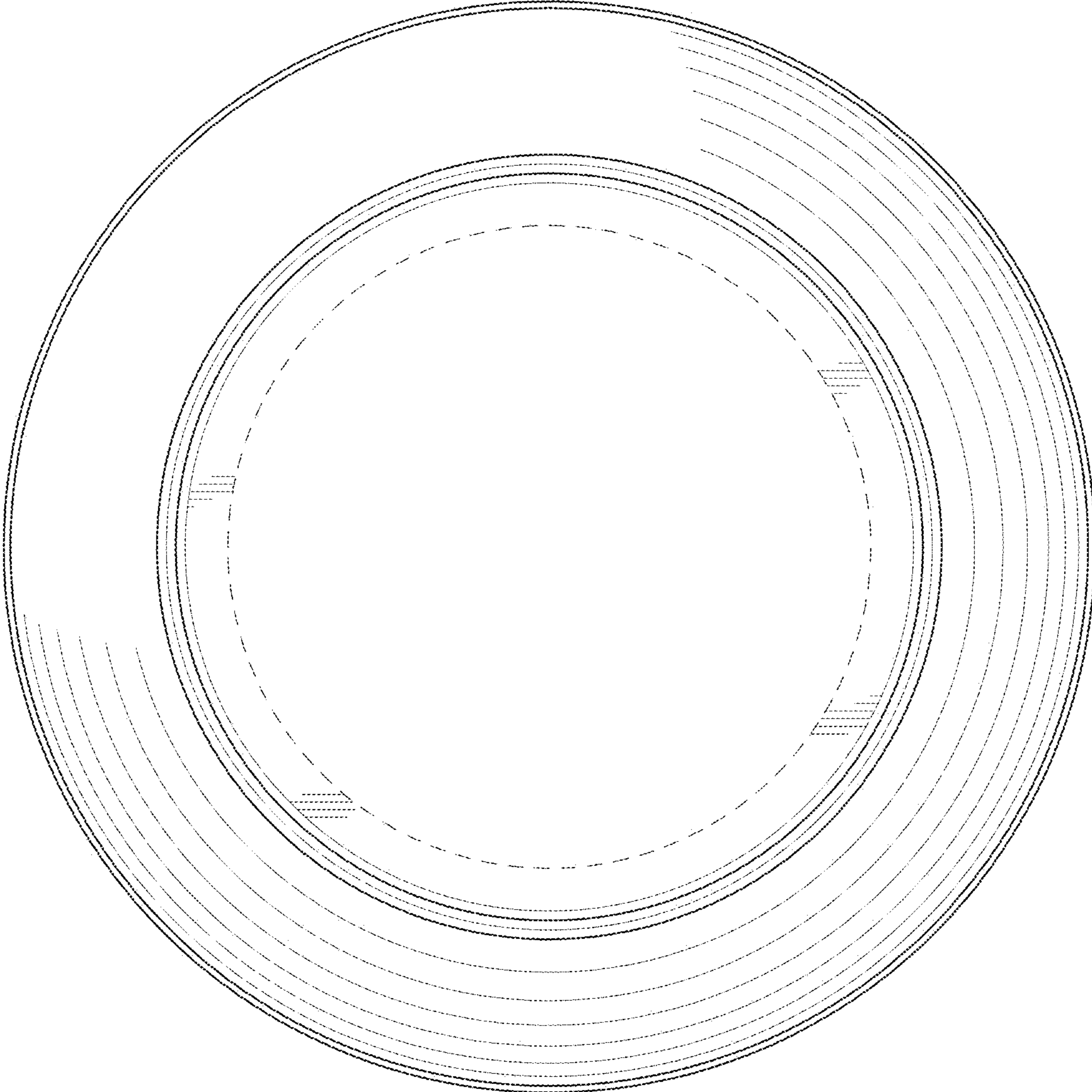


FIG.3

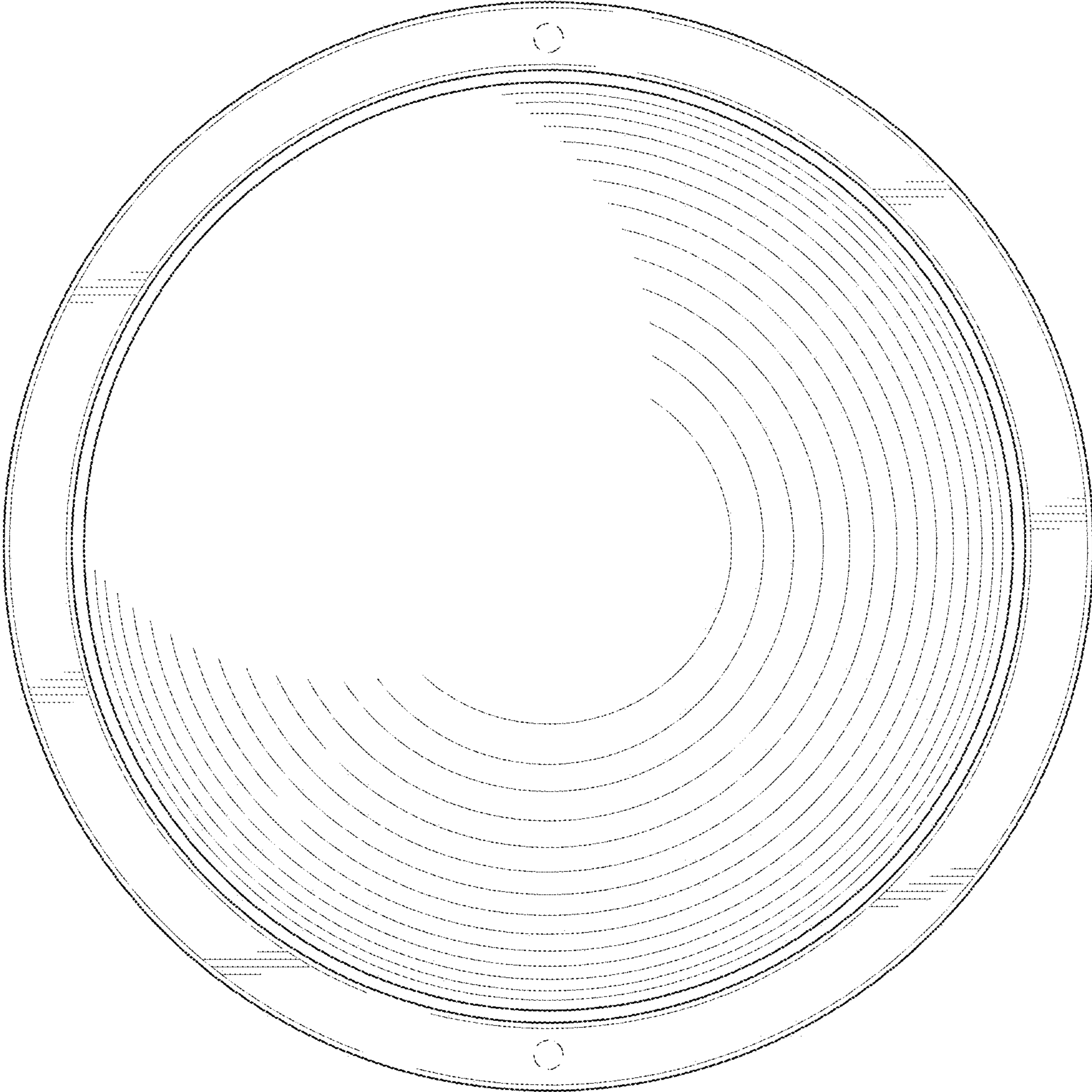


FIG.4

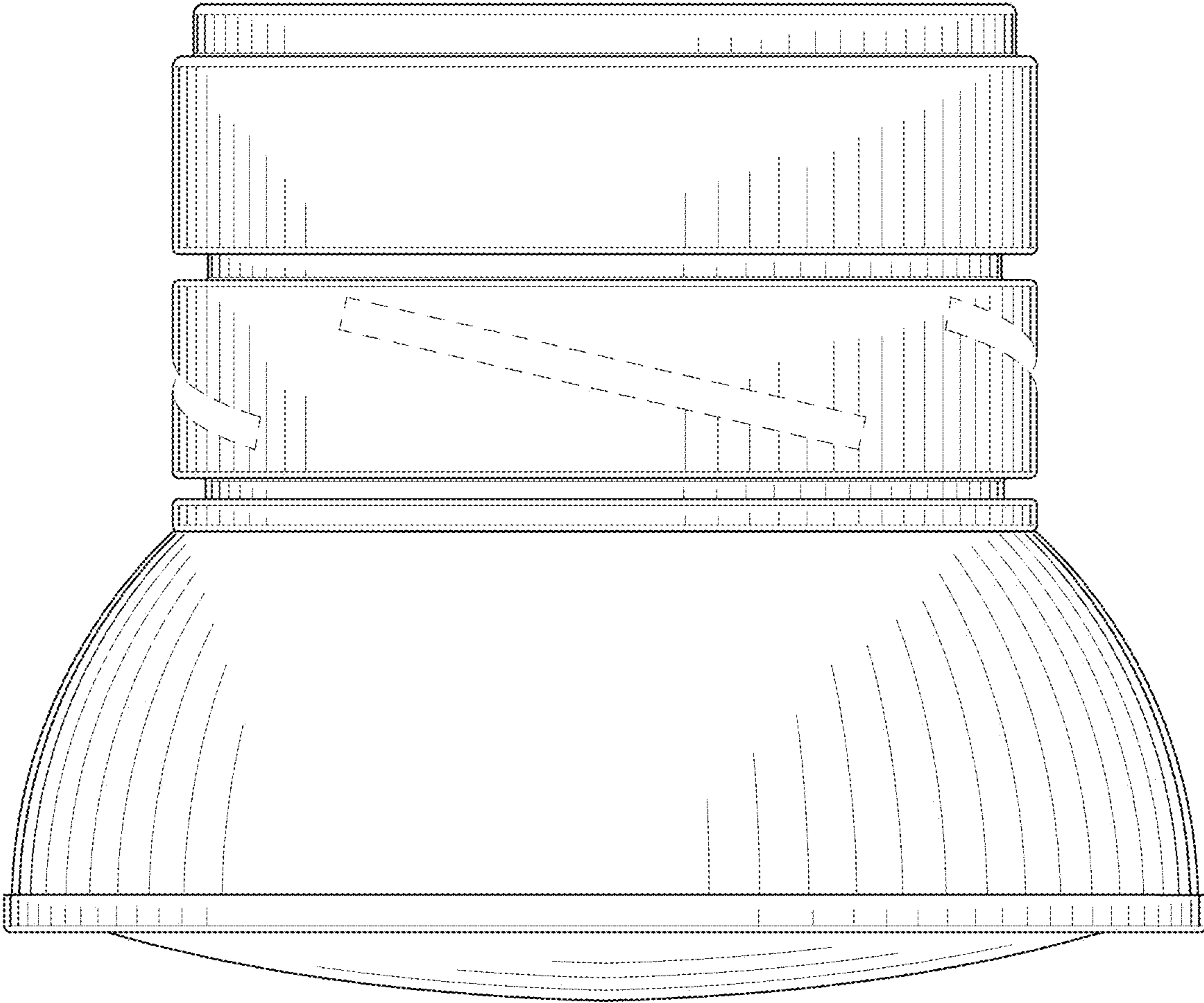


FIG.5

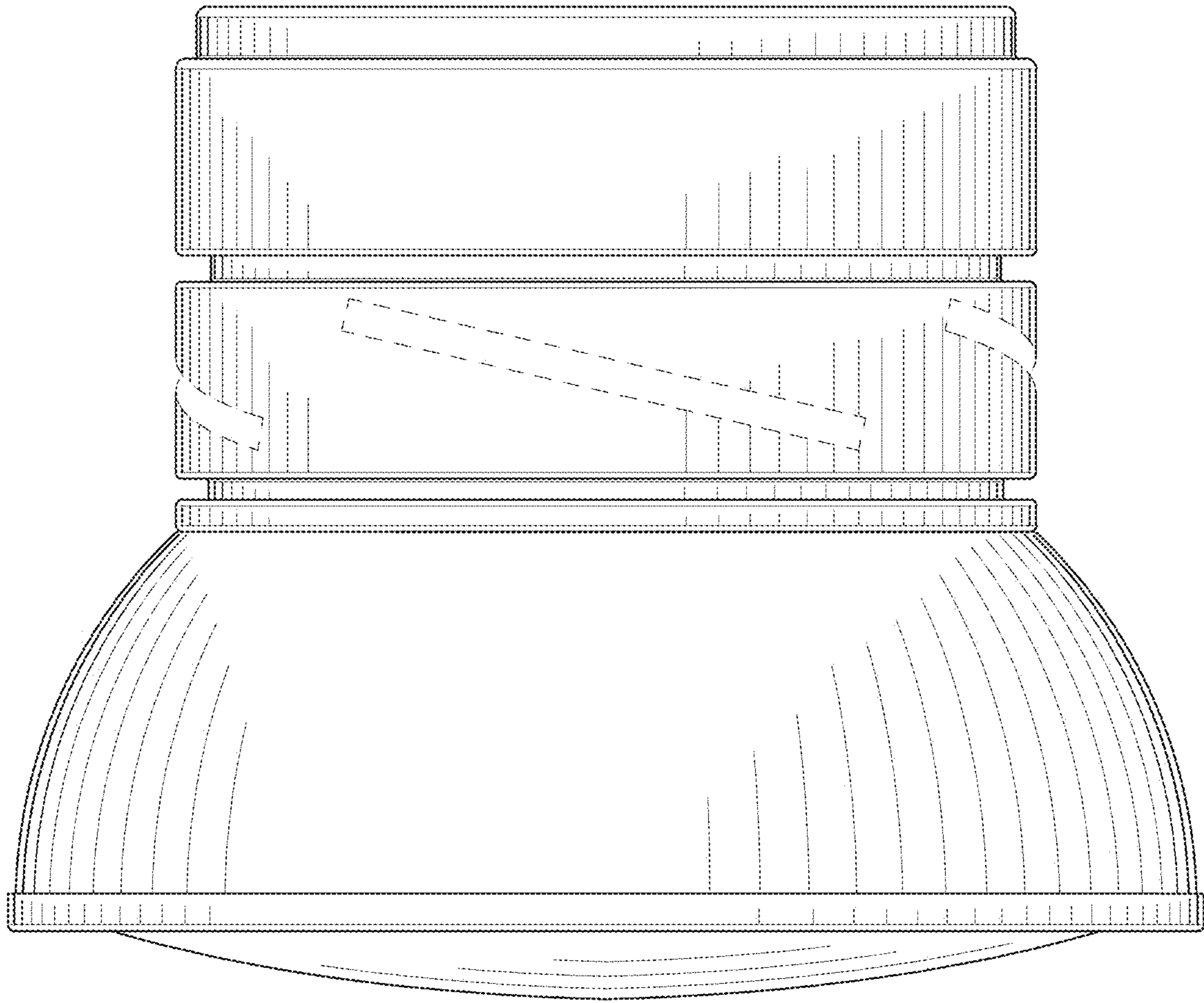


FIG.6