



US00RE50209E

(19) **United States**
(12) **Reissued Patent**
Choi et al.

(10) **Patent Number: US RE50,209 E**
(45) **Date of Reissued Patent: *Nov. 12, 2024**

(54) **APPARATUS FOR TRANSMITTING BROADCAST SIGNALS, APPARATUS FOR RECEIVING BROADCAST SIGNALS, METHOD FOR TRANSMITTING BROADCAST SIGNALS AND METHOD FOR RECEIVING BROADCAST SIGNALS**

(58) **Field of Classification Search**
None
See application file for complete search history.

(56) **References Cited**

U.S. PATENT DOCUMENTS

(71) Applicant: **LG ELECTRONICS INC.**, Seoul (KR)

6,975,691 B1 12/2005 Shiraishi
8,085,871 B2 * 12/2011 Kim H04B 7/0634
375/350

(72) Inventors: **Jinyong Choi**, Seoul (KR); **Woosuk Ko**, Seoul (KR); **Sangchul Moon**, Seoul (KR); **Sungryong Hong**, Seoul (KR)

(Continued)

FOREIGN PATENT DOCUMENTS

(73) Assignee: **LG ELECTRONICS INC.**, Seoul (KR)

CN 101730990 A 6/2010
CN 101984570 A 3/2011

(Continued)

(*) Notice: This patent is subject to a terminal disclaimer.

OTHER PUBLICATIONS

(21) Appl. No.: **17/869,598**

U.S. Appl. No. 16/678,754, filed Nov. 8, 2019.

(Continued)

(22) Filed: **Jul. 20, 2022**

Primary Examiner — Yuzhen Ge

Related U.S. Patent Documents

(74) *Attorney, Agent, or Firm* — Birch, Stewart, Kolasch & Birch, LLP

Reissue of:

(64) Patent No.: **10,721,112**
Issued: **Jul. 21, 2020**
Appl. No.: **16/678,754**
Filed: **Nov. 8, 2019**

(57) **ABSTRACT**

A method and device for processing broadcast signals are discussed. The method includes receiving the broadcast signals carrying service data, demodulating the broadcast signals by an Orthogonal Frequency Division Multiplexing (OFDM) scheme, MIMO processing data in the broadcast signals based on a rotation value, where the rotation value has zero (0) degree for a modulation order corresponding to equal to or greater than 64 Quadrature Amplitude Modulation (QAM) and a code rate corresponding to at least one of 2/15, 3/15, 4/15, 5/15, 6/15, 7/15, 8/15, 9/15, 10/15, 11/15, 12/15 or 13/15, and the rotation value has zero (0) degree for a modulation order corresponding to Quadrature Phase Shift Keying (QPSK) and a code rate corresponding to at least one of 2/15, 3/15, 4/15 or 5/15, and decoding the data.

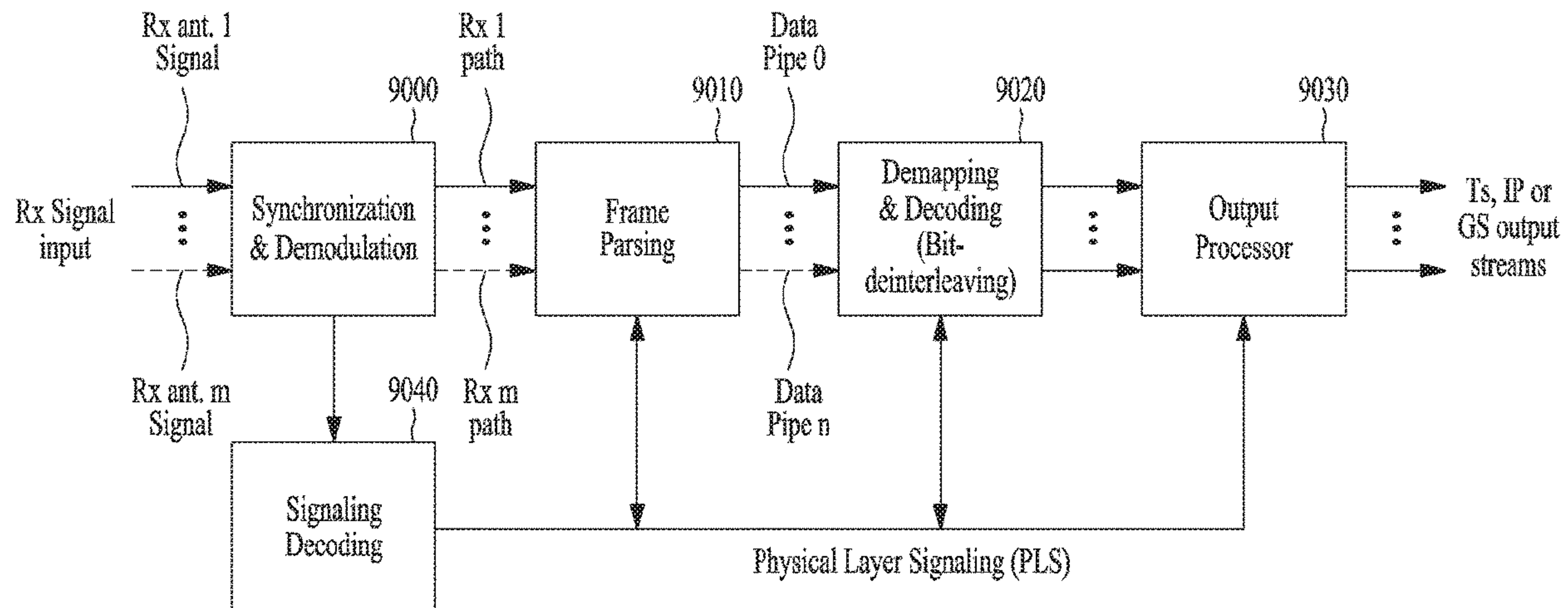
U.S. Applications:

(60) Division of application No. 16/376,891, filed on Apr. 5, 2019, now Pat. No. 10,491,446, which is a division
(Continued)

(51) **Int. Cl.**
H04L 27/26 (2006.01)
H04B 7/0413 (2017.01)
(Continued)

(52) **U.S. Cl.**
CPC **H04B 7/0413** (2013.01); **H04L 27/22** (2013.01); **H04L 27/2627** (2013.01);
(Continued)

10 Claims, 36 Drawing Sheets



Related U.S. Application Data

of application No. 16/175,365, filed on Oct. 30, 2018, now Pat. No. 10,277,445, which is a continuation of application No. 15/877,068, filed on Jan. 22, 2018, now Pat. No. 10,135,659, which is a continuation of application No. 15/467,134, filed on Mar. 23, 2017, now Pat. No. 9,906,393, which is a continuation of application No. 15/060,165, filed on Mar. 3, 2016, now Pat. No. 9,635,520.

(60) Provisional application No. 62/206,812, filed on Aug. 18, 2015, provisional application No. 62/204,465, filed on Aug. 13, 2015, provisional application No. 62/130,561, filed on Mar. 9, 2015.

(51) **Int. Cl.**

H04L 27/22 (2006.01)
H04L 27/34 (2006.01)
H04L 27/36 (2006.01)
H04L 27/38 (2006.01)
H04W 4/06 (2009.01)
H04B 7/10 (2017.01)
H04L 27/00 (2006.01)
H04L 27/18 (2006.01)

(52) **U.S. Cl.**

CPC *H04L 27/2649* (2013.01); *H04L 27/3444* (2013.01); *H04L 27/362* (2013.01); *H04L 27/38* (2013.01); *H04W 4/06* (2013.01); *H04B 7/10* (2013.01); *H04L 27/0008* (2013.01); *H04L 27/18* (2013.01)

(56) **References Cited**

U.S. PATENT DOCUMENTS

8,780,771 B2 * 7/2014 Kim H04B 7/0473
 370/344
 9,484,993 B2 11/2016 Moon et al. H04B 7/068

9,614,760 B2 4/2017 Hwang et al.
 9,628,589 B2 4/2017 Mouhouche et al.
 2001/0001616 A1 5/2001 Rakib et al.
 2007/0071121 A1 3/2007 van Rooyen
 2009/0225722 A1 * 9/2009 Cudak H04L 5/0053
 370/330
 2010/0220798 A1 9/2010 Trachewsky
 2010/0246719 A1 9/2010 Ko et al.
 2013/0175606 A1 7/2013 Cheng et al.
 2013/0215996 A1 8/2013 Boutros et al.
 2013/0251058 A1 9/2013 Wu et al.
 2013/0266085 A1 * 10/2013 Sesia H04B 7/0689
 375/295
 2013/0272448 A1 10/2013 Moon et al. H04B 7/0413
 375/295
 2014/0314177 A1 * 10/2014 Choi H04L 27/34
 375/349
 2015/0038156 A1 * 2/2015 Kilpatrick, II H04W 52/325
 455/561

FOREIGN PATENT DOCUMENTS

CN 103297375 A 9/2013
 EP 2 568 650 A2 3/2013
 KR 10-2013-0133810 A 12/2013
 WO WO 2011/096703 A2 8/2011
 WO WO 2011/096704 A2 8/2011
 WO WO 2011/096732 A2 8/2011
 WO WO 2011/096773 A2 8/2011
 WO WO 2011/098703 A2 8/2011
 WO WO 2011/099732 A2 8/2011
 WO WO 2014/175606 A1 10/2014
 WO WO 2015/016663 A1 2/2015

OTHER PUBLICATIONS

U.S. Appl. No. 16/376,891, filed Apr. 5, 2019.
 U.S. Appl. No. 16/175,365, filed Oct. 30, 2018.
 U.S. Appl. No. 15/877,068, filed Jan. 22, 2018.
 U.S. Appl. No. 15/467,134, filed Mar. 23, 2017.
 U.S. Appl. No. 15/060,165, filed Mar. 3, 2016.

* cited by examiner

FIG. 1

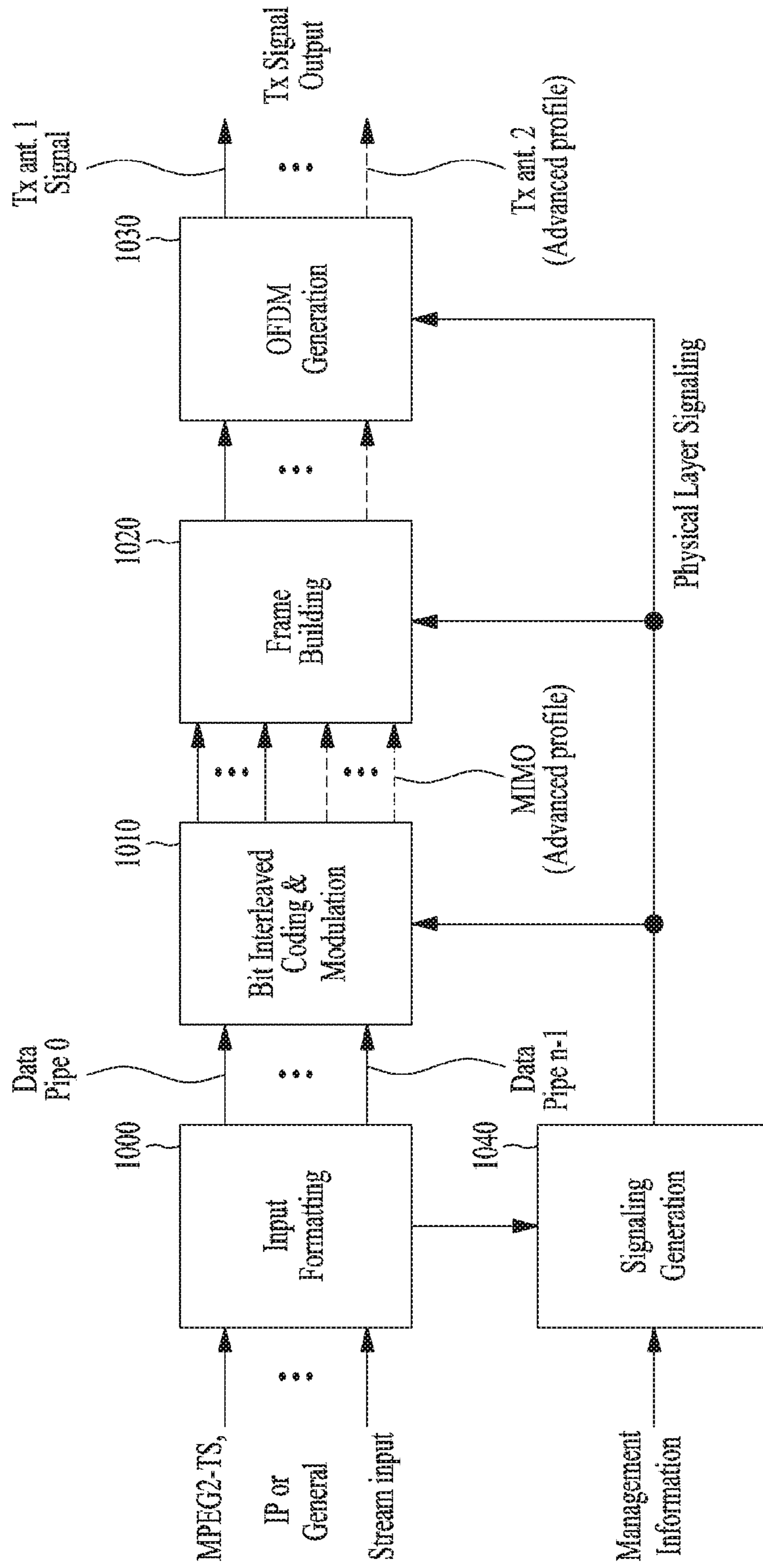


FIG. 2

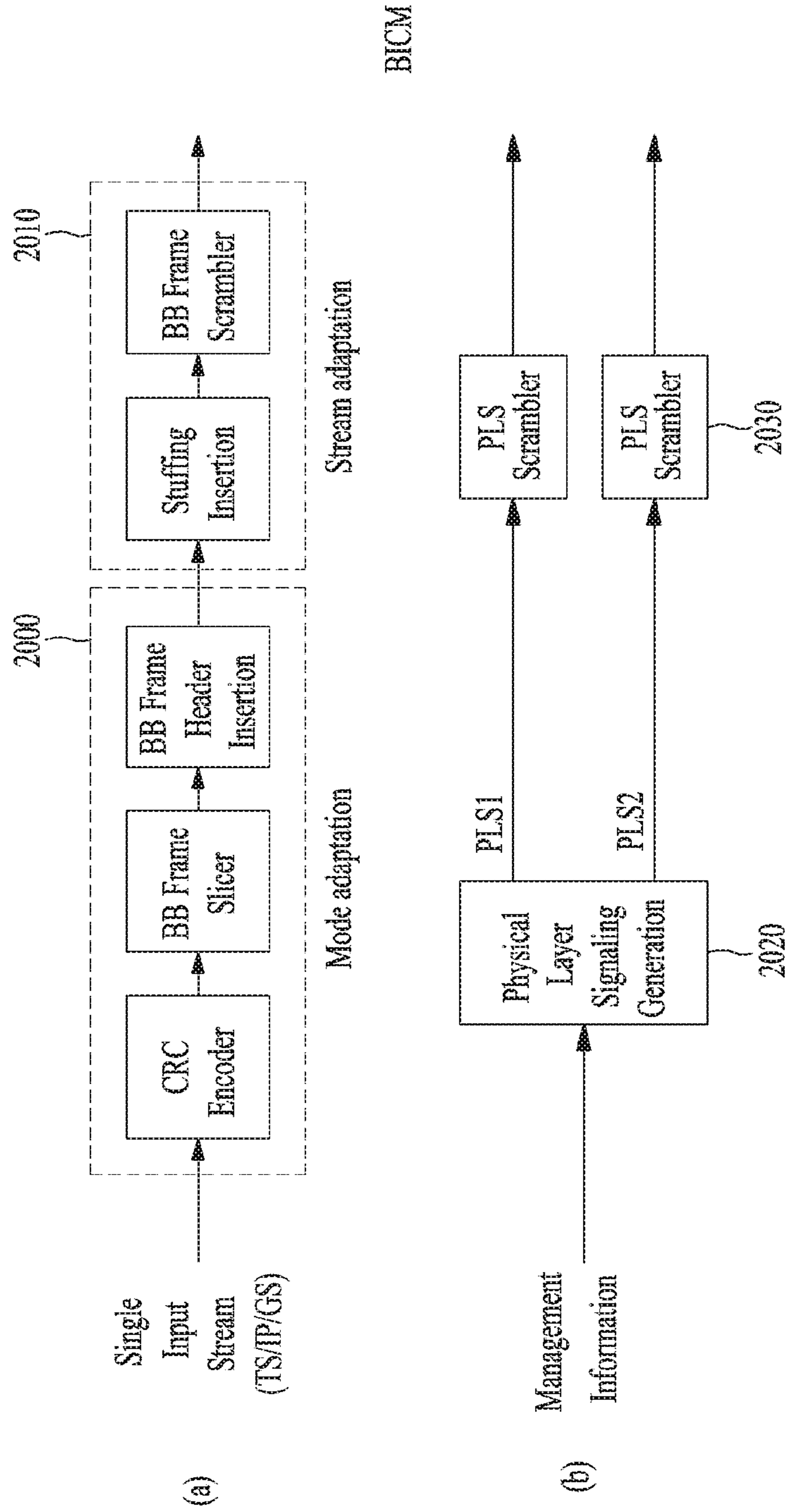


FIG. 3

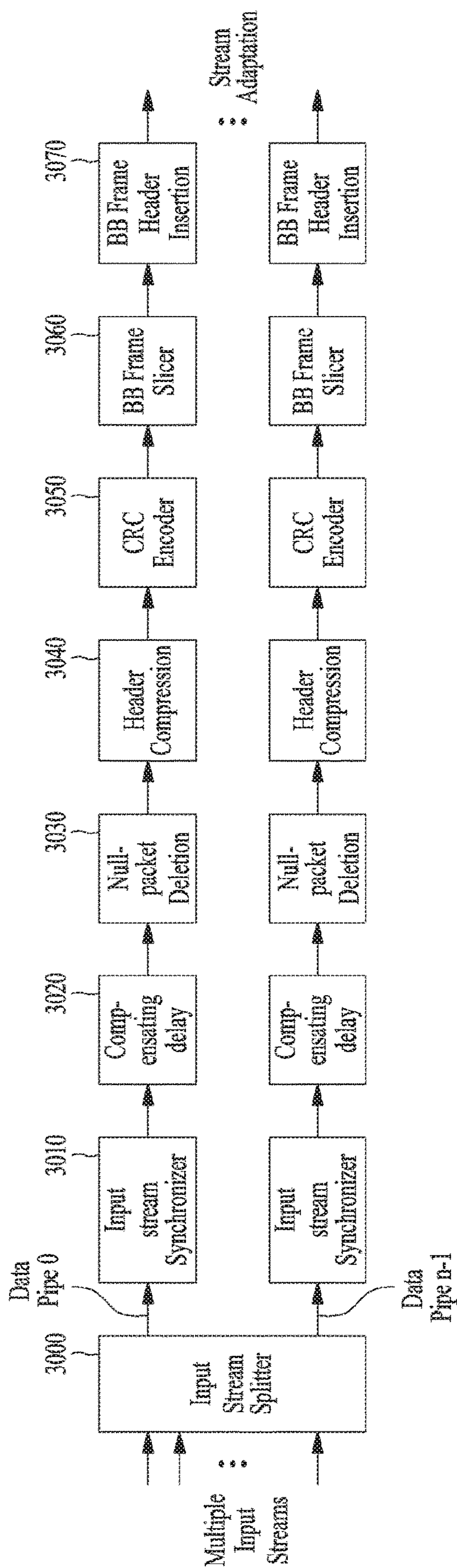


FIG. 4

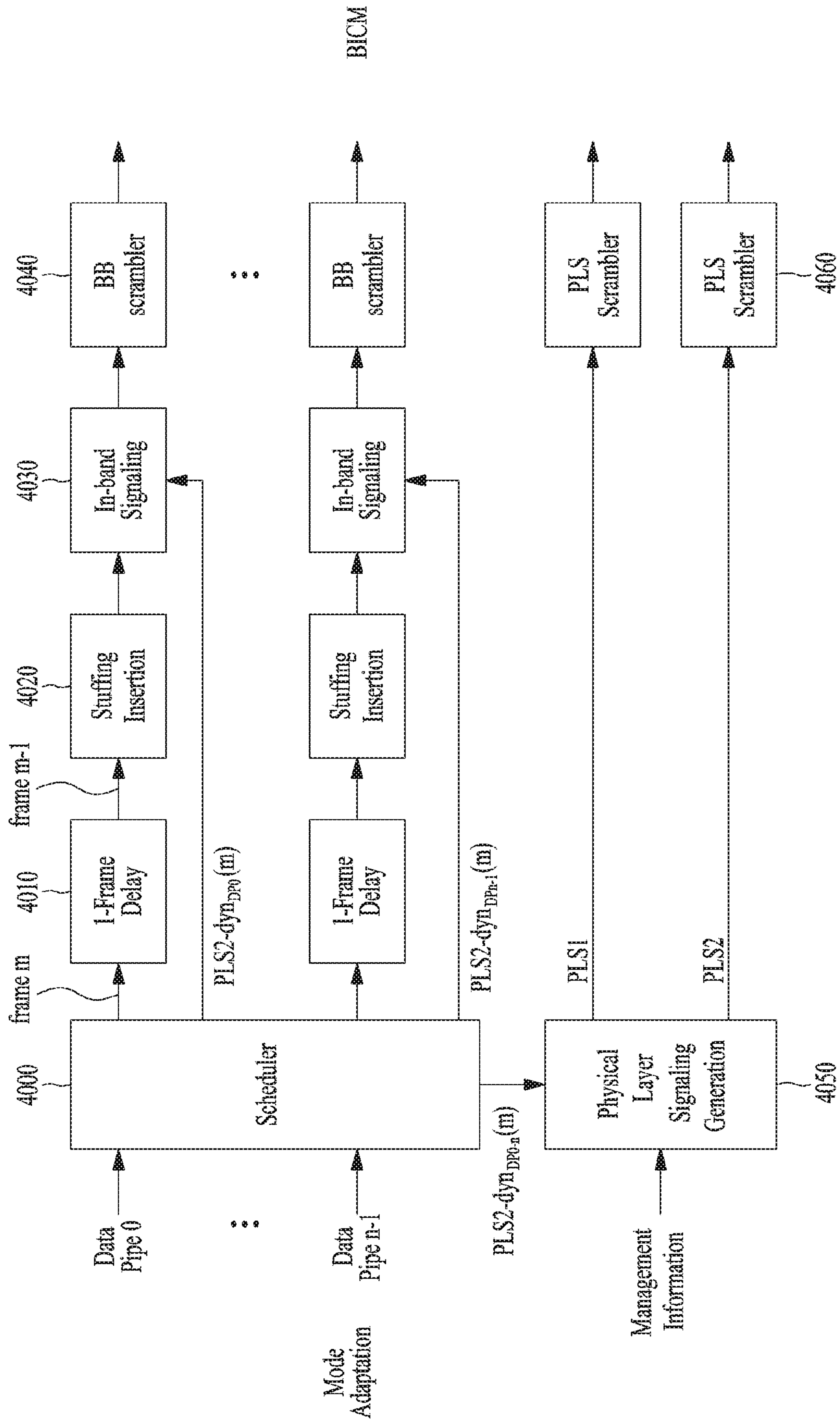


FIG. 5

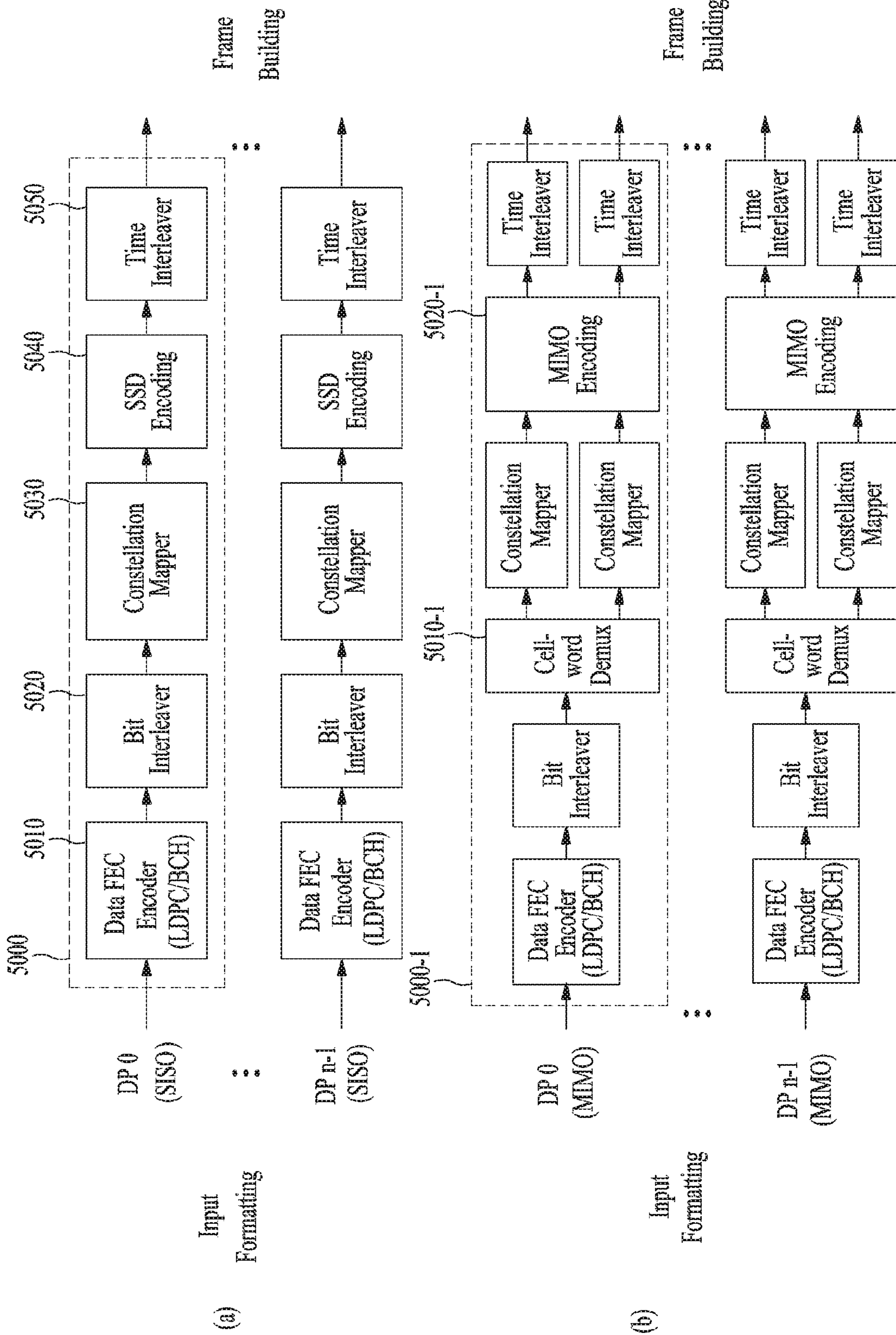


FIG. 6

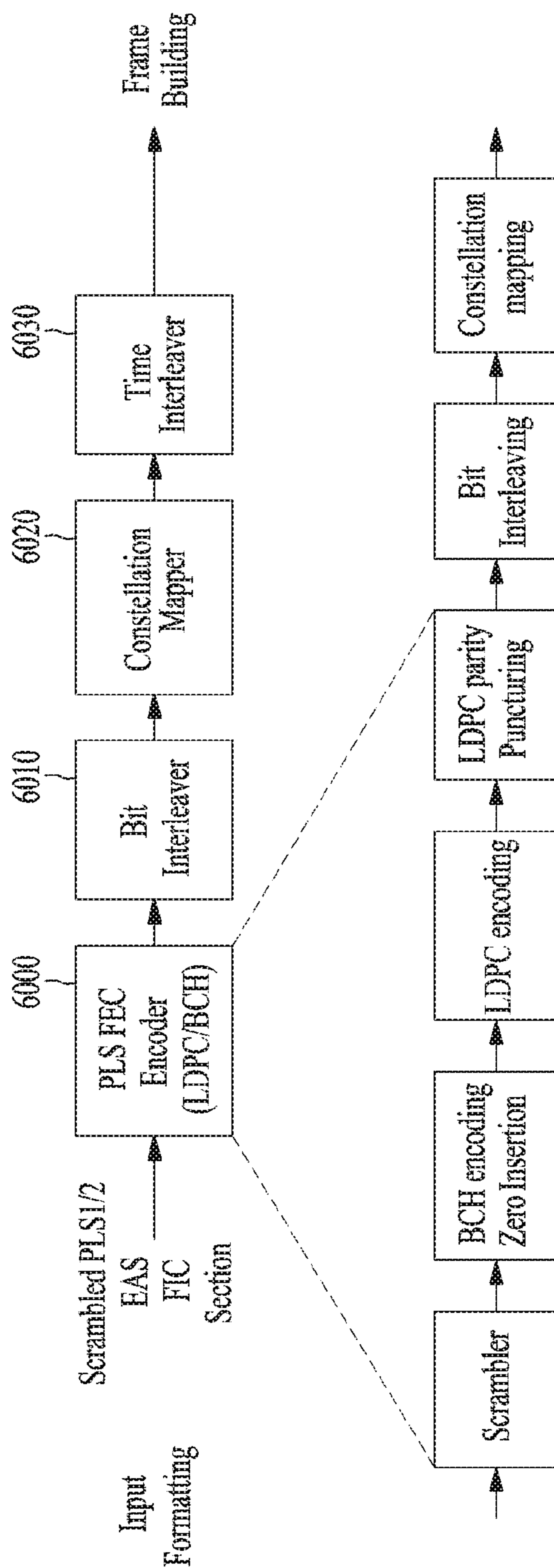


FIG. 7

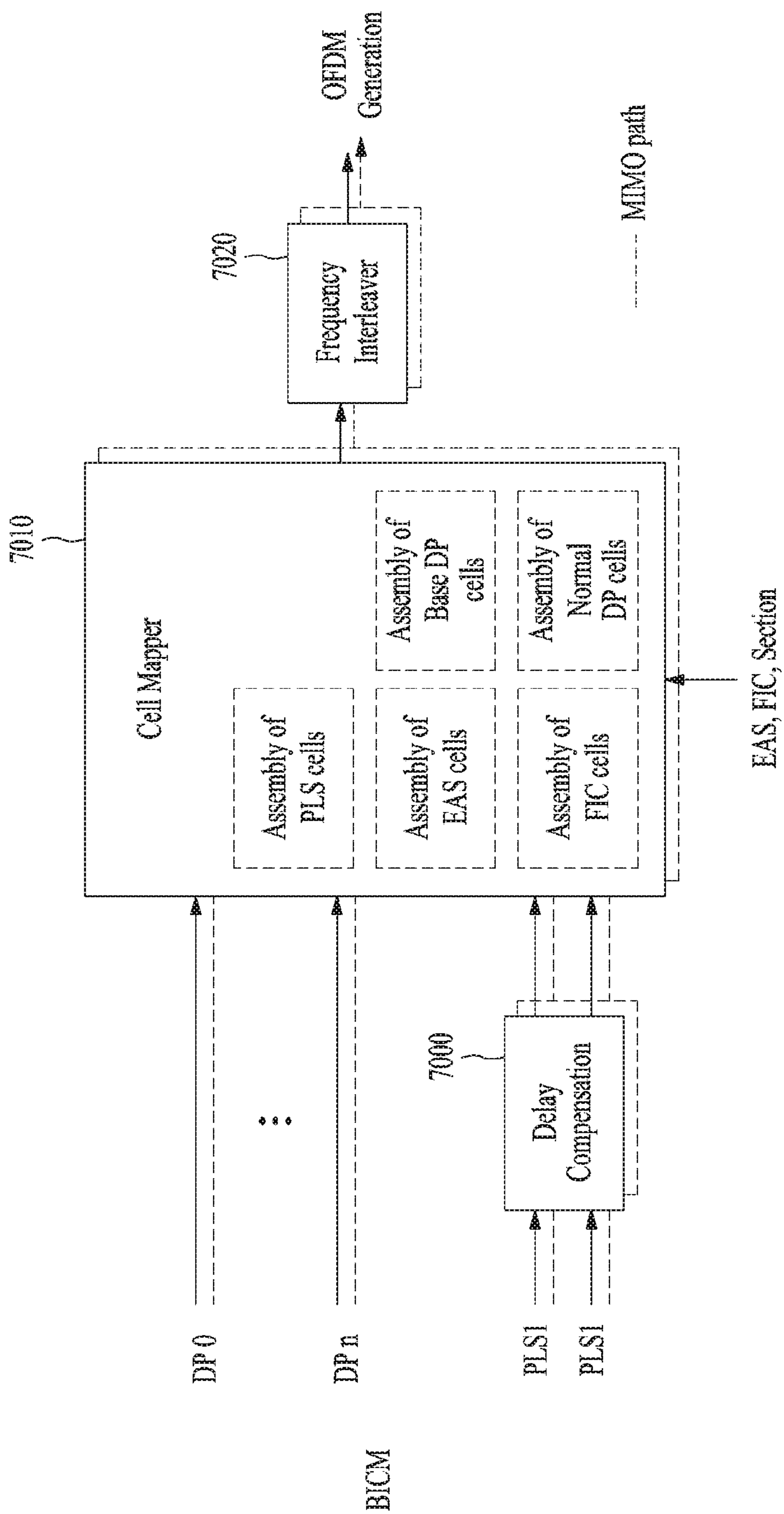


FIG. 8

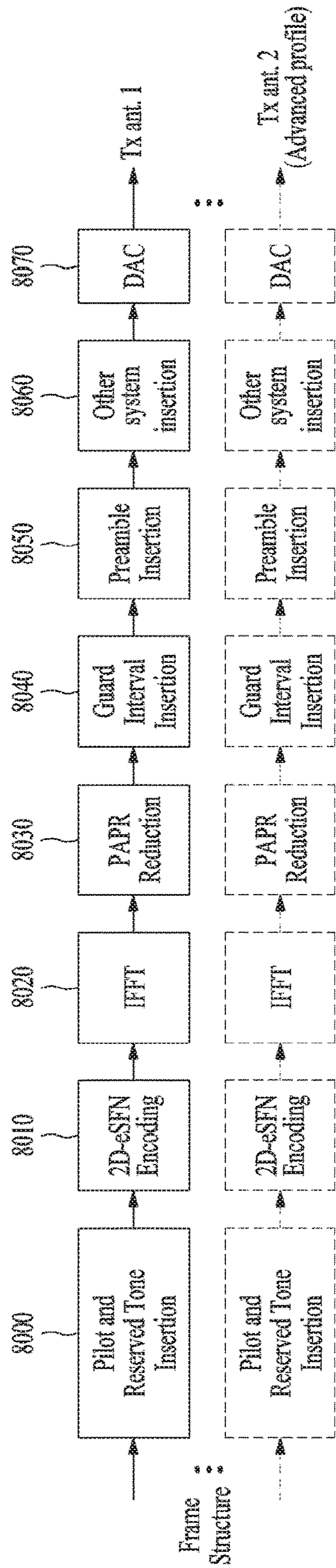


FIG. 9

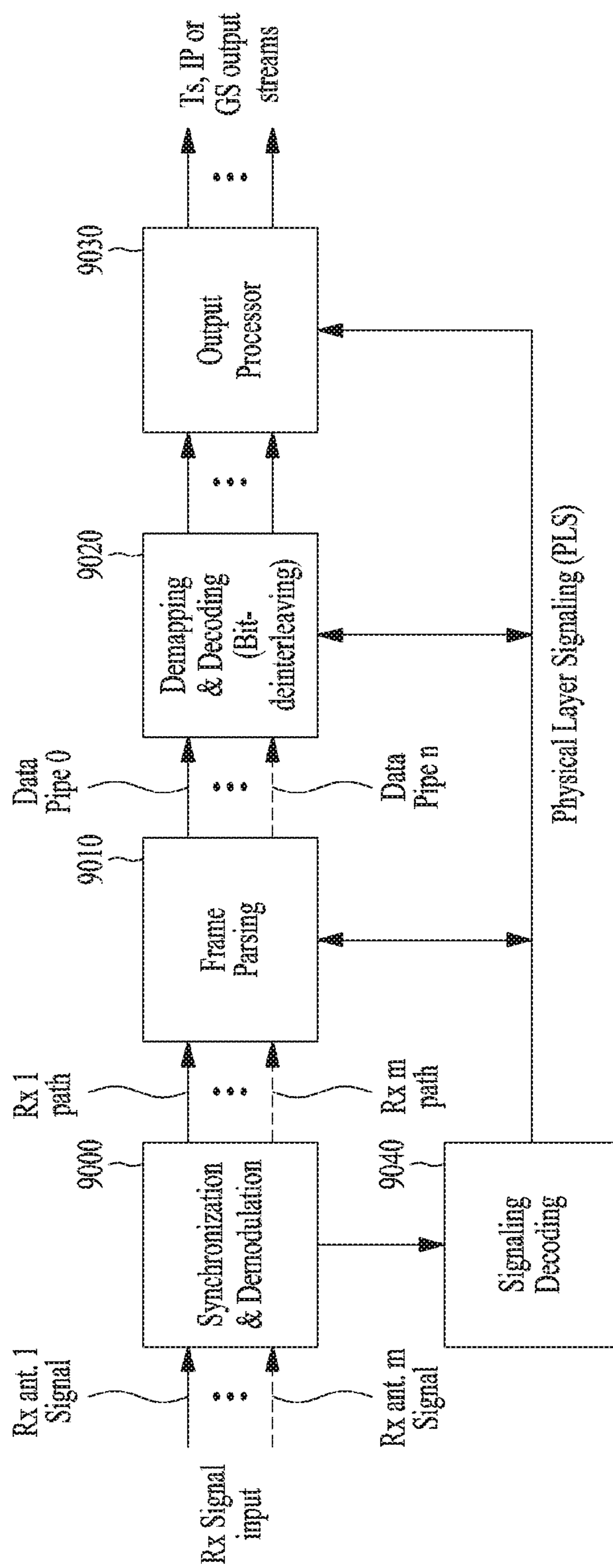


FIG. 10

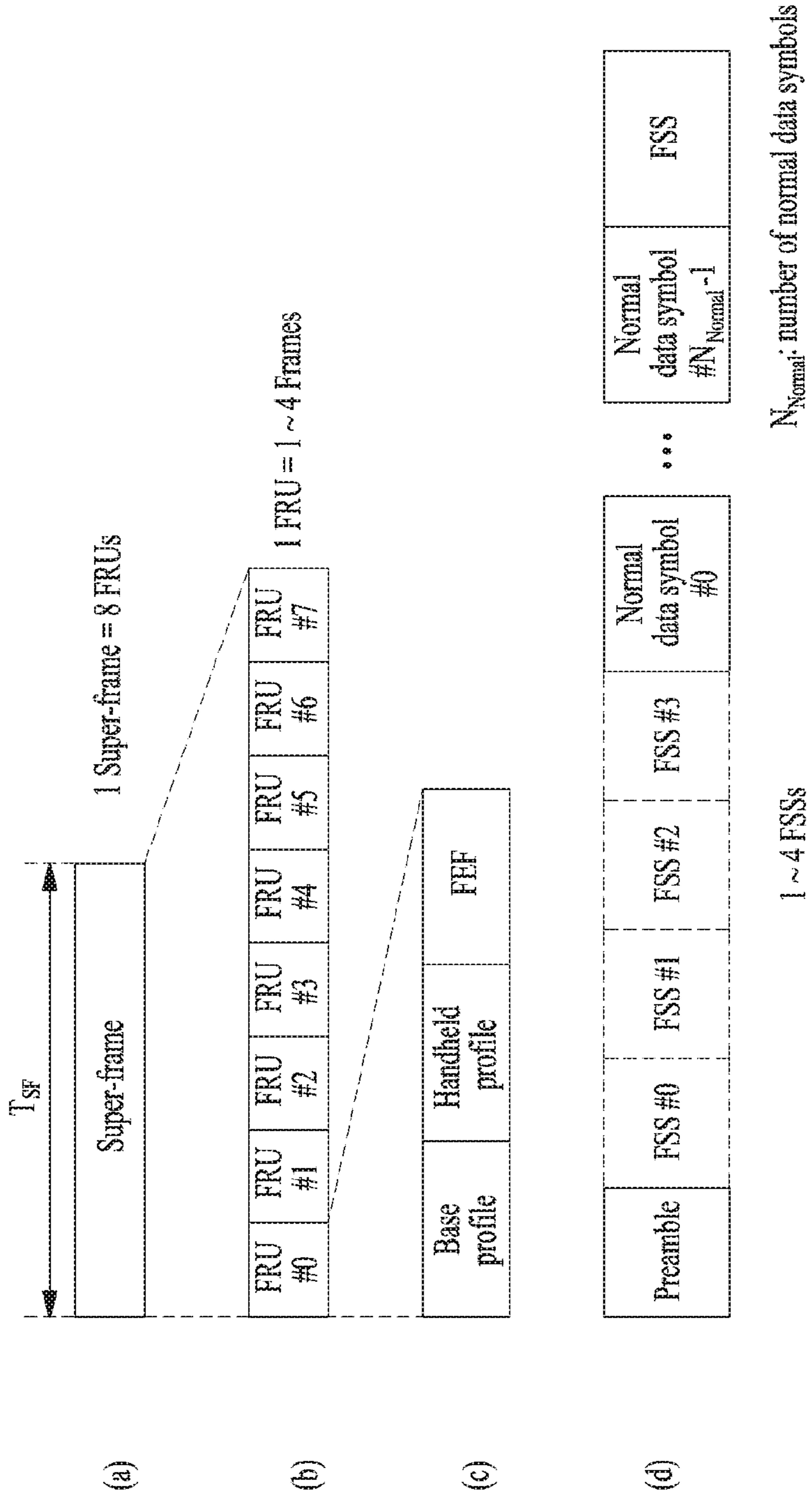


FIG. 11

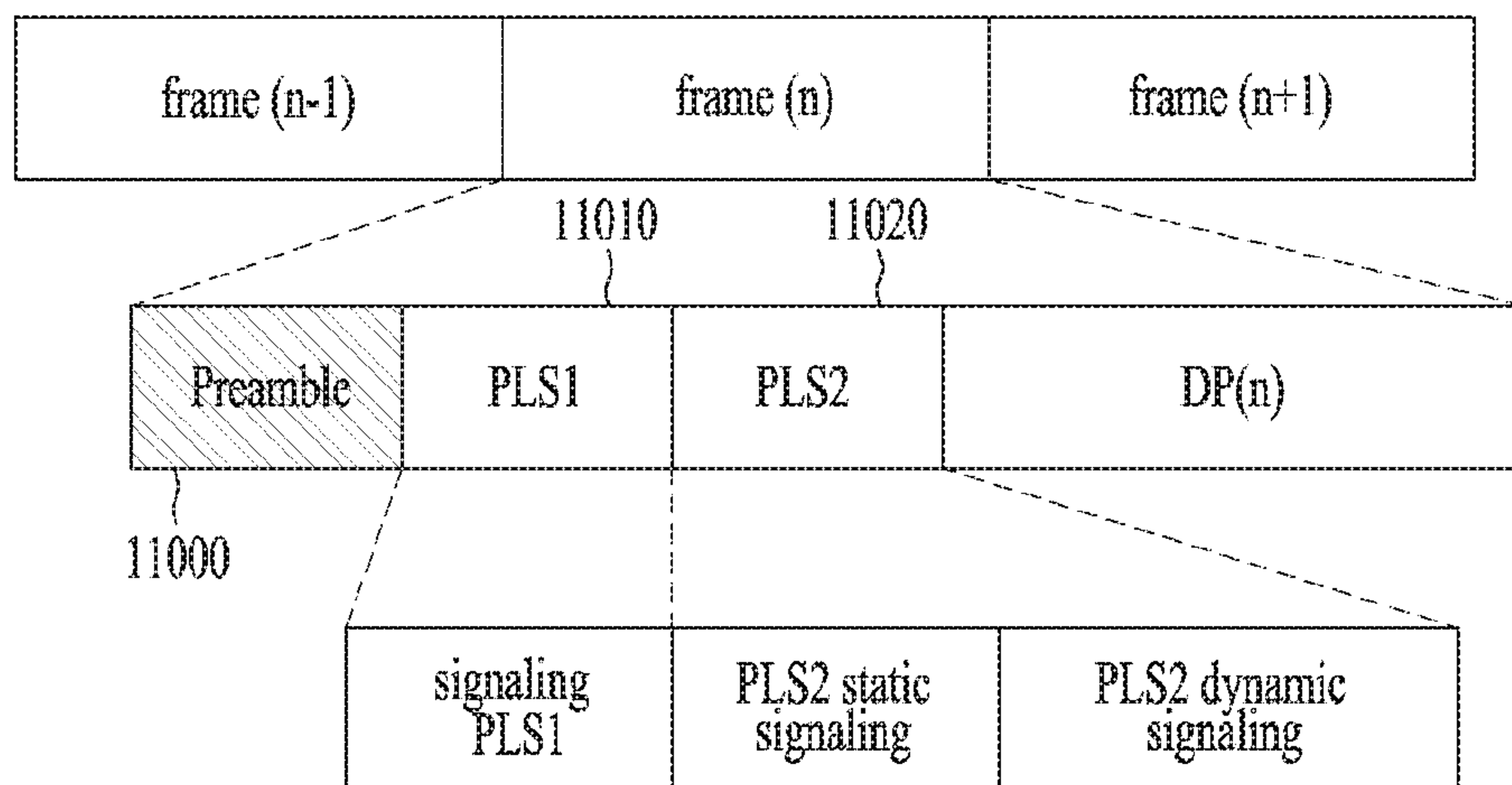


FIG. 12

Content	Bits
PHY_PROFILE	3
FFT_SIZE	2
GI_FRACTION	3
EAC_FLAG	1
PILOT_MODE	1
PAPR_FLAG	1
FRU_CONFIGURE	3
RESERVED	7

FIG. 13

Content	Bits
PREAMBLE_DATA	20
NUM_FRAME_FRU	2
PAYLOAD_TYPE	3
NUM_FSS	2
SYSTEM_VERSION	8
CELL_ID	16
NETWORK_ID	16
SYSTEM_ID	16
for i = 0:3	
FRU_PHY_PROFILE	3
FRU_FRAME_LENGTH	2
FRU_GI_FRACTION	3
RESERVED	4
end	
PLS2_FEC_TYPE	2
PLS2_MOD	3
PLS2_SIZE_CELL	15
PLS2_STAT_SIZE_BIT	14
PLS2_SYN_SIZE_BIT	14
PLS2_REP_FLAG	1
PLS2_REP_SIZE_CELL	15
PLS2_NEXT_FEC_TYPE	2
PLS2_NEXT_MODE	3
PLS2_NEXT_REP_FLAG	1
PLS2_NEXT_REP_SIZE_CELL	15
PLS2_NEXT_REP_STAT_SIZE_BIT	14
PLS2_NEXT_REP_DYN_SIZE_BIT	14
PLS2_AP_MODE	2
PLS2_AP_SIZE_CELL	15
PLS2_NEXT_AP_MODE	2
PLS2_NEXT_AP_SIZE_CELL	15
RESERVED	32
CRC 32	32

FIG. 14

Content	Bits
FIC_FLAG	1
AUX_FLAG	1
NUM_DP	6
for i = 1: NUM_DP	
DP_ID	6
DP_TYPE	3
DP_GROUP_ID	8
BASE_DP_ID	6
DP_FEC_TYPE	2
DP_COD	4
DP_MOD	4
DP_SSD_FLAG	1
if PHY_PROFILE = '010'	
DP_MIMO	3
end	
DP_TI_TYPE	1
DP_TI_LENGTH	2
DP_TI_BYPASS	1
DP_FRAME_INTERVAL	2
DP_FIRST_FRAME_IDX	5
DP_NUM_BLOCK_MAX	10
DP_PAYLOAD_TYPE	2
DP_INBAND_MODE	2
DP_PROTOCOL_TYPE	2
DP_CRC_MODE	2
if DP_PAYLOAD_TYPE == TS('00')	
DNP_MODE	2
ISSY_MODE	2
HC_MODE_TS	2
if HC_MODE_TS == '01' or '10'	
PID	13
end	
if DP_PAYLOAD_TYPE == IP('01')	
HC_MODE_IP	2
end	
RESERVED	8
end	
if FIC_FLAG == 1	
FIC_VERSION	8
FIC_LENGTH_BYTE	13
RESERVED	8
end	
if AUX_FLAG == 1	
NUM_AUX	4
AUX_CONFIG_RFU	8
for - 1 : NUM_AUX	
AUX_STREAM_TYPE	4
AUX_PRIVATE_CONF	28
end	
end	

FIG. 15

Content		Bit
FRAME_INDEX		5
PLS_CHANGE_COUNTER		4
FIC_CHANGE_COUNTER		4
RESERVED		16
for i = 1: NUM_DP		
	DP_ID	6
	DP_START	15 (or 13)
	DP_NUM_BLOCK	10
end	RESERVED	8
EAC_FLAG		1
EAS_WAKE_UP_VERSION_NUM		8
if EAC_FLAG = 1		
	EAC_LENGTH_BYTE	12
else		
	EAC_COUNTER	12
end		
for i=1:NUM_AUX		
	AUX_PRIVATE_DYN	48
end		
CRC 32		32

FIG. 16

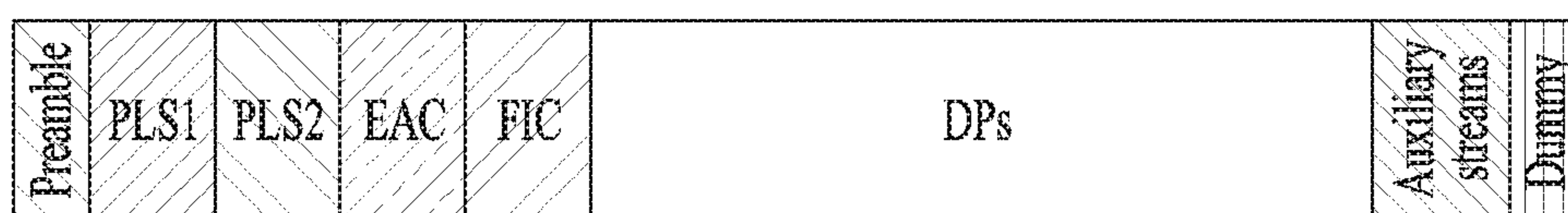


FIG. 17

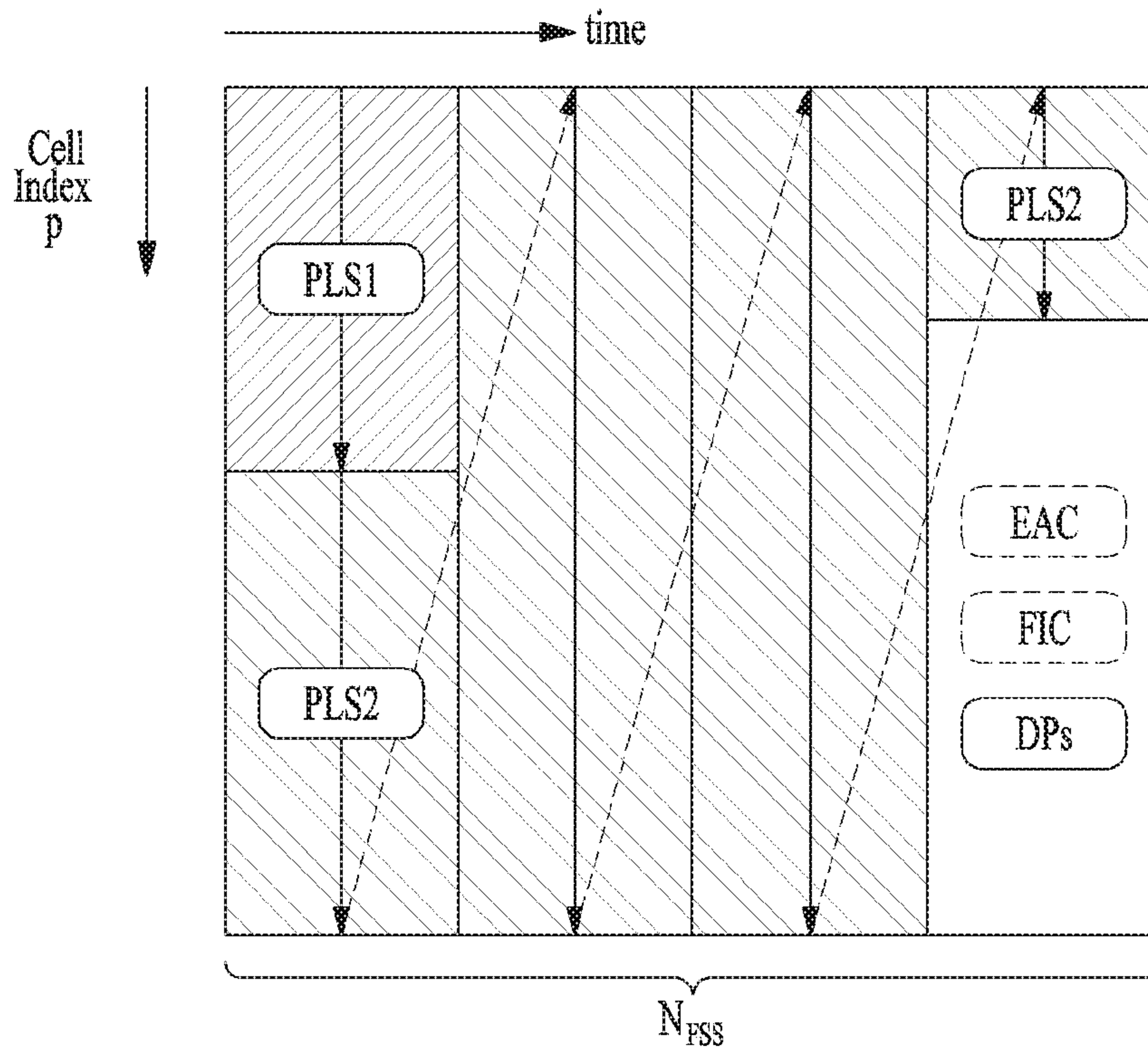


FIG. 18

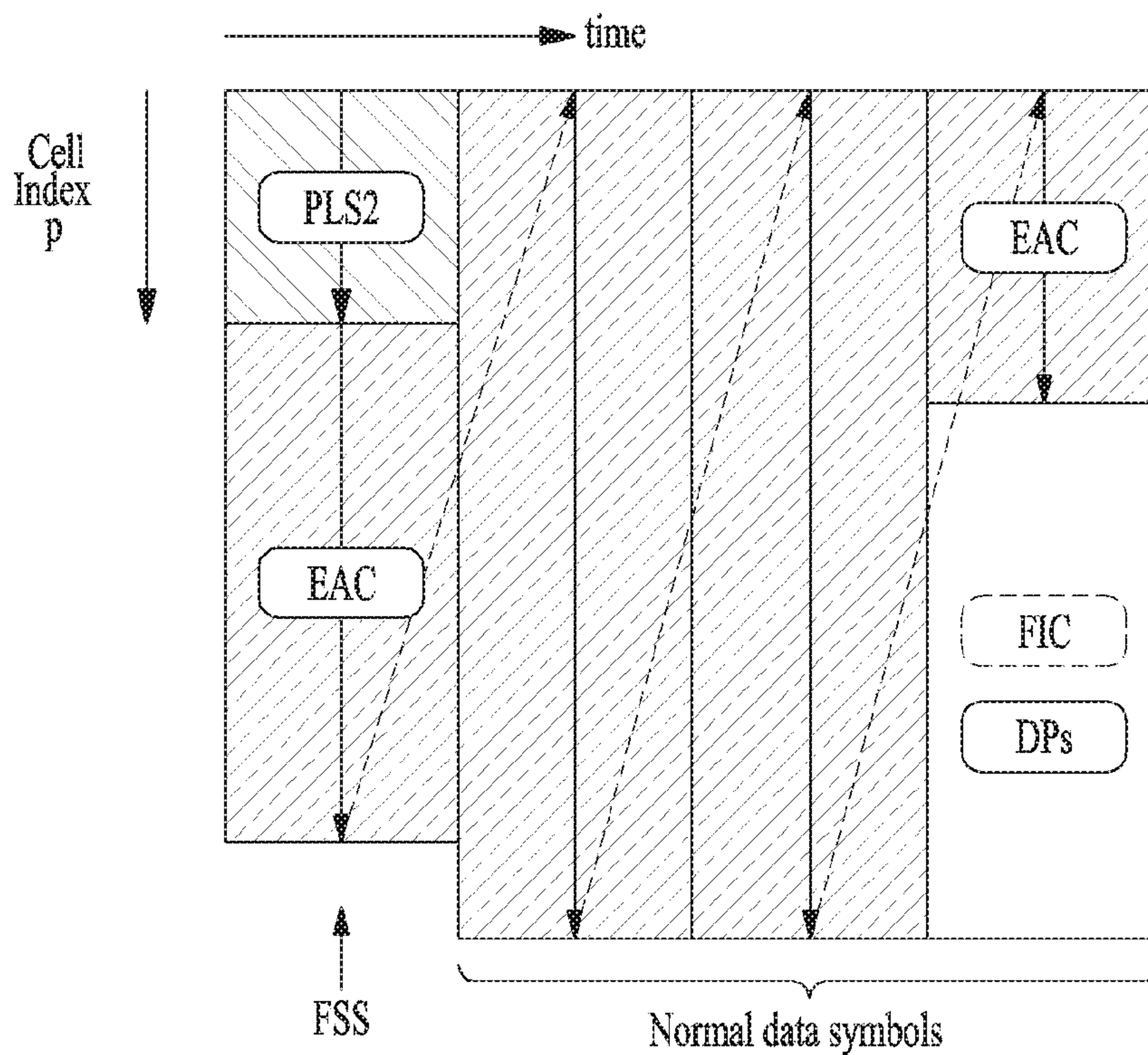


FIG. 19

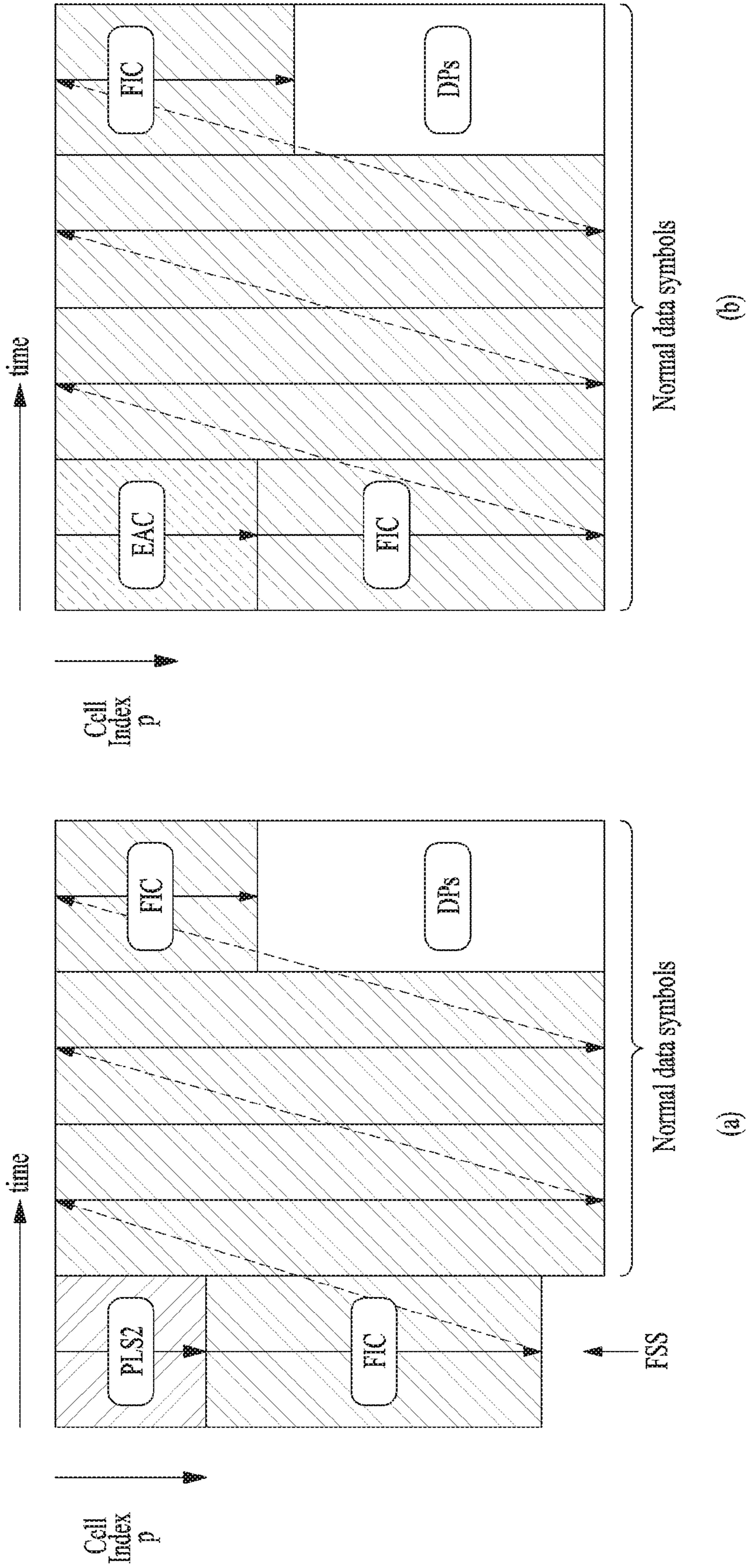


FIG. 20

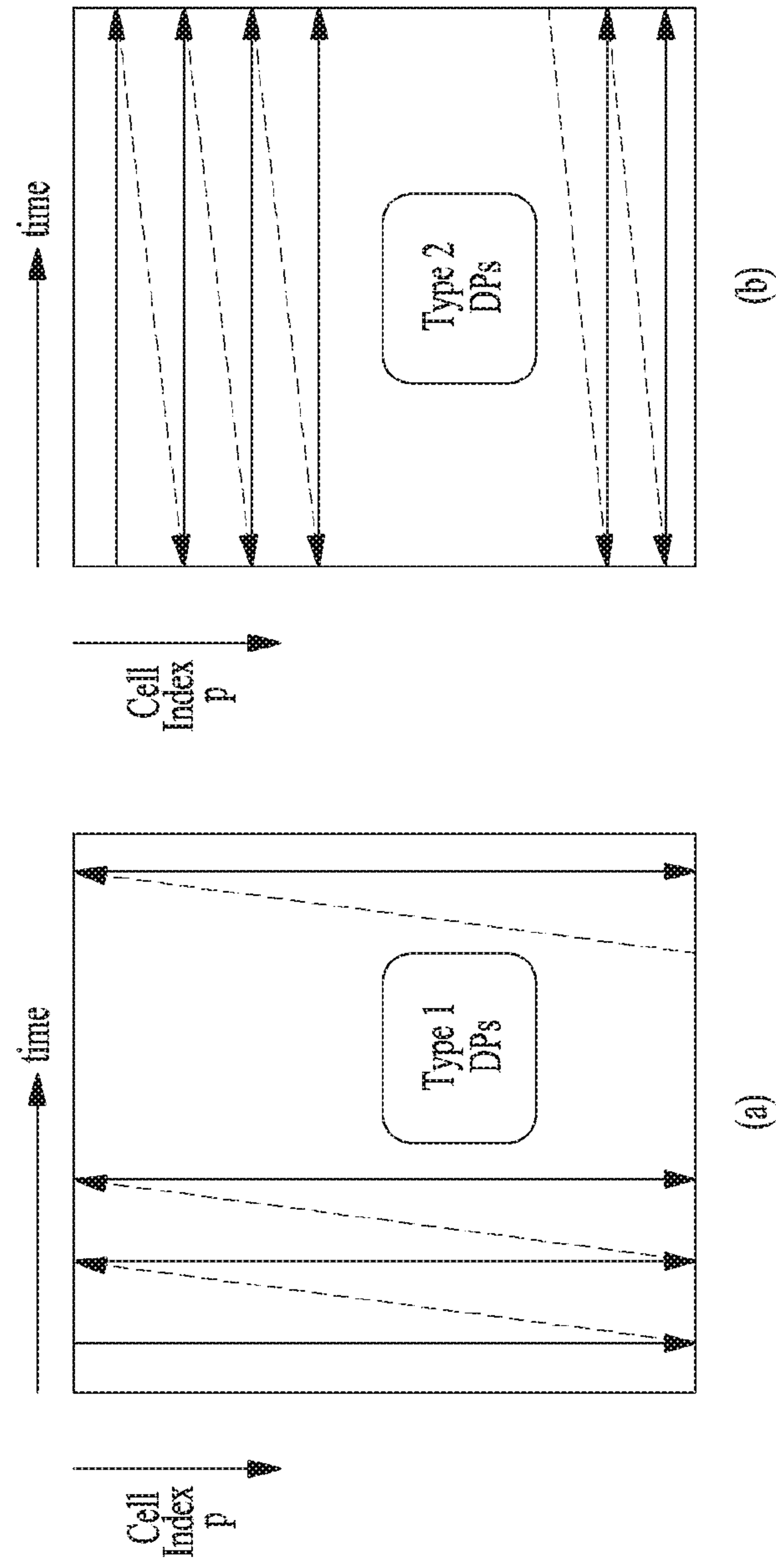
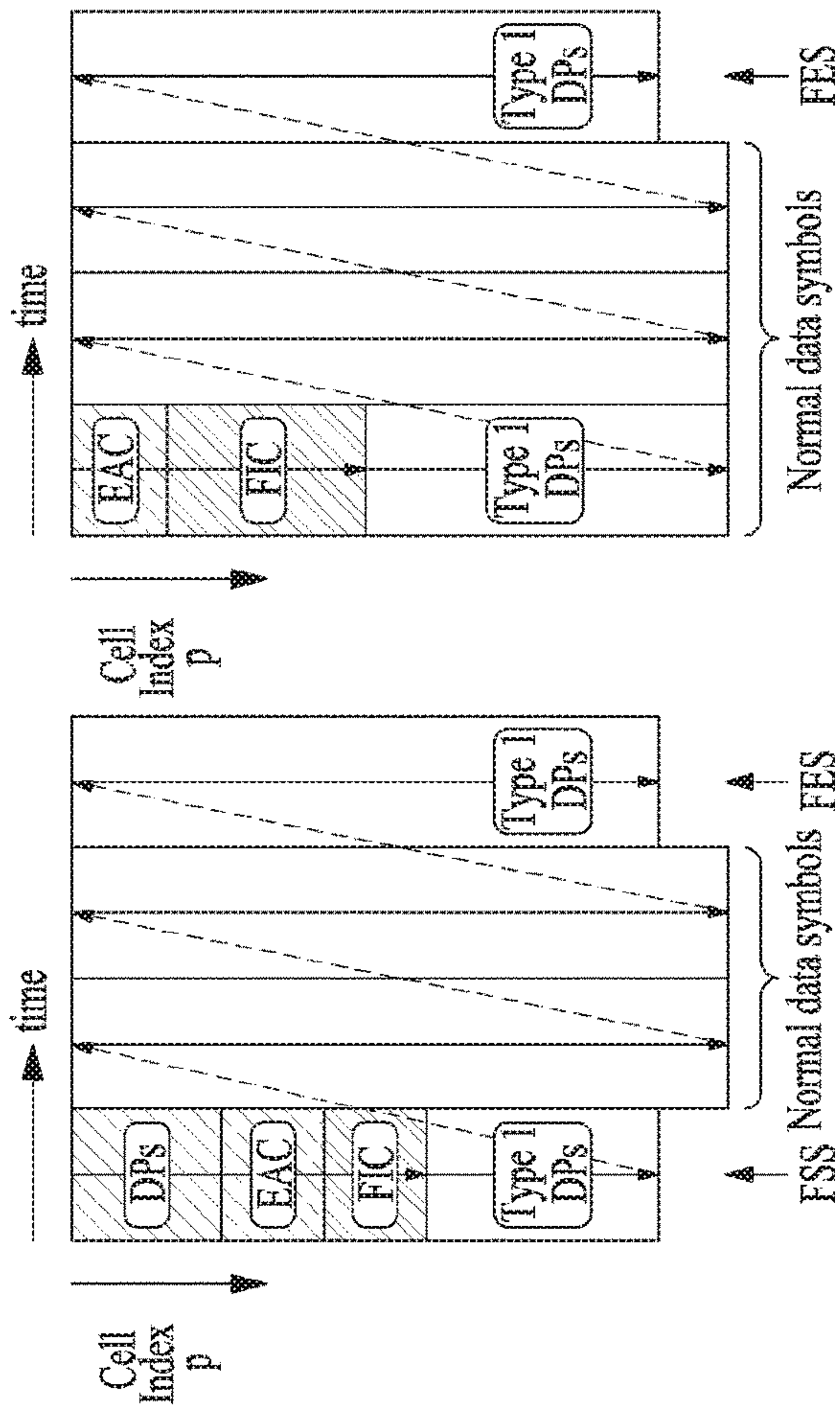
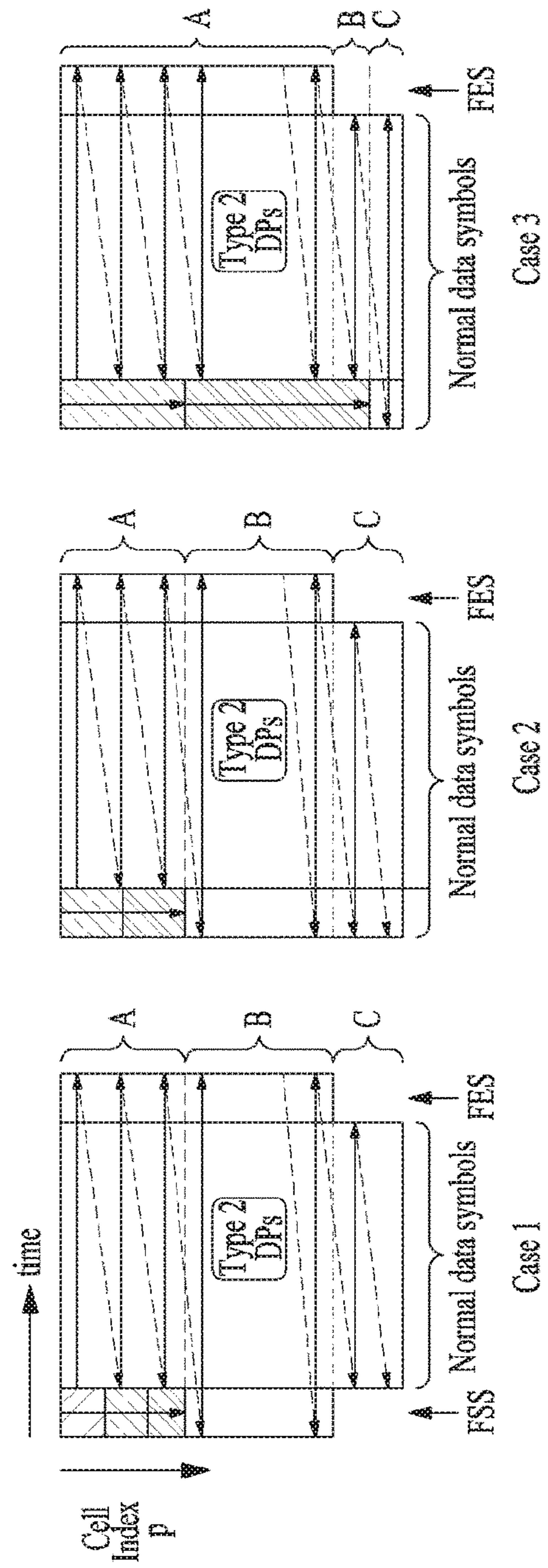


FIG. 21



(a)



(b)

FIG. 22

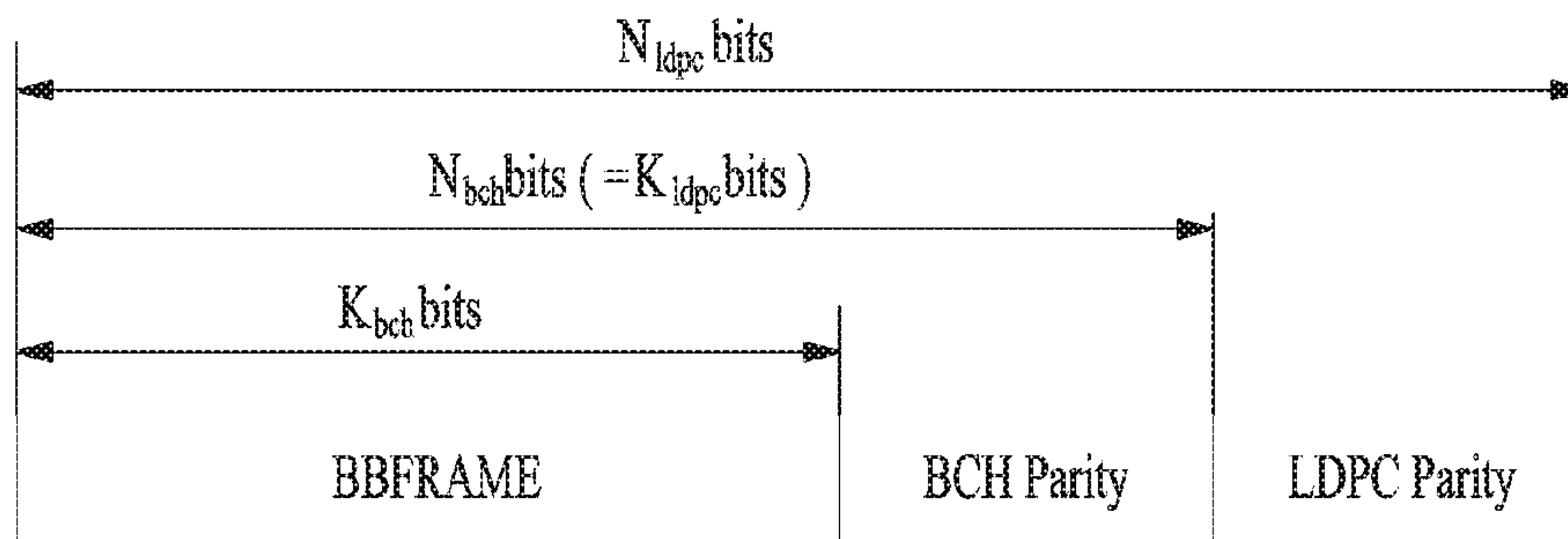


FIG. 23

$N_{QCB} = 45$, for short LDPC block
 $N_{QCB} = 180$, for long LDPC block

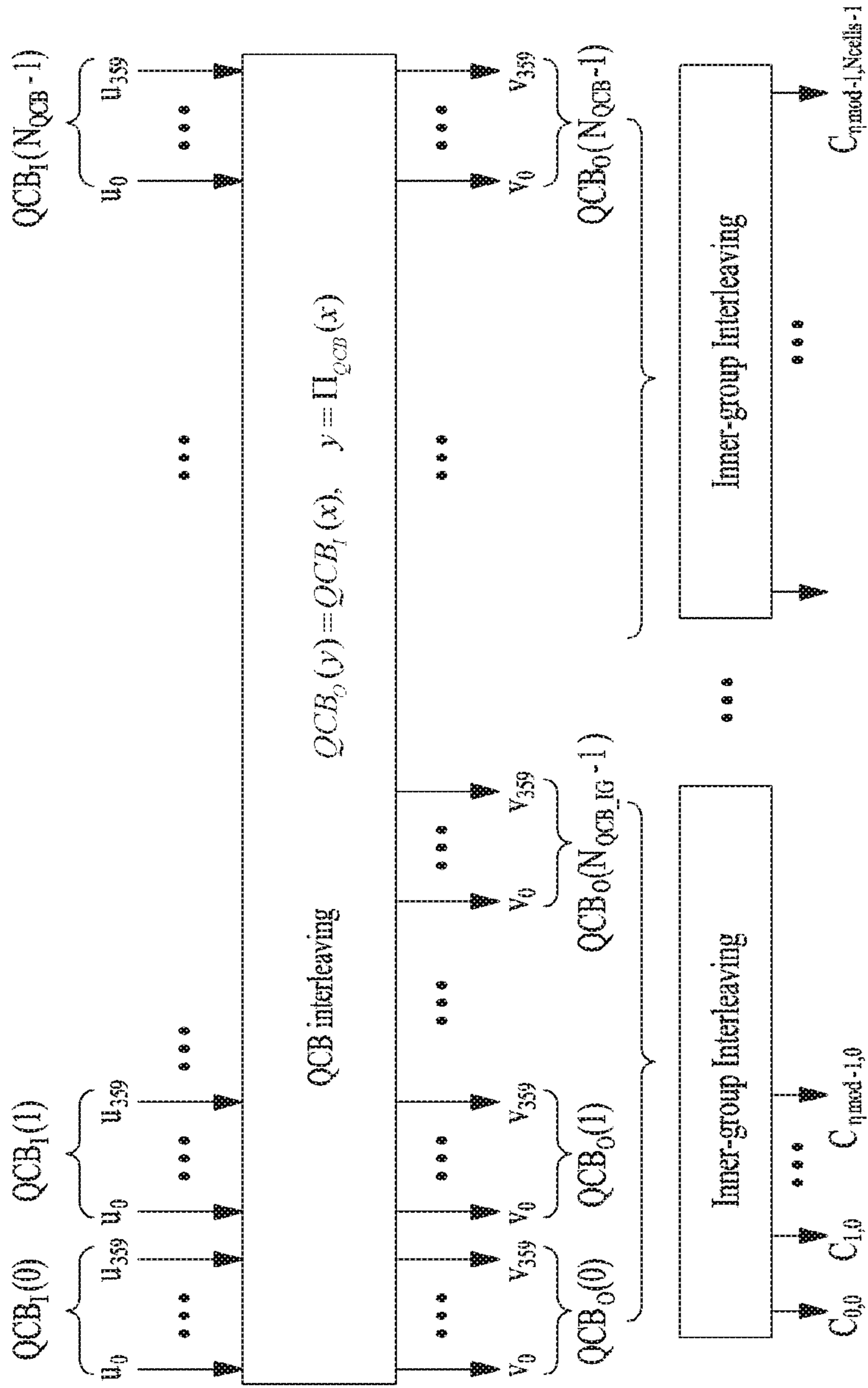
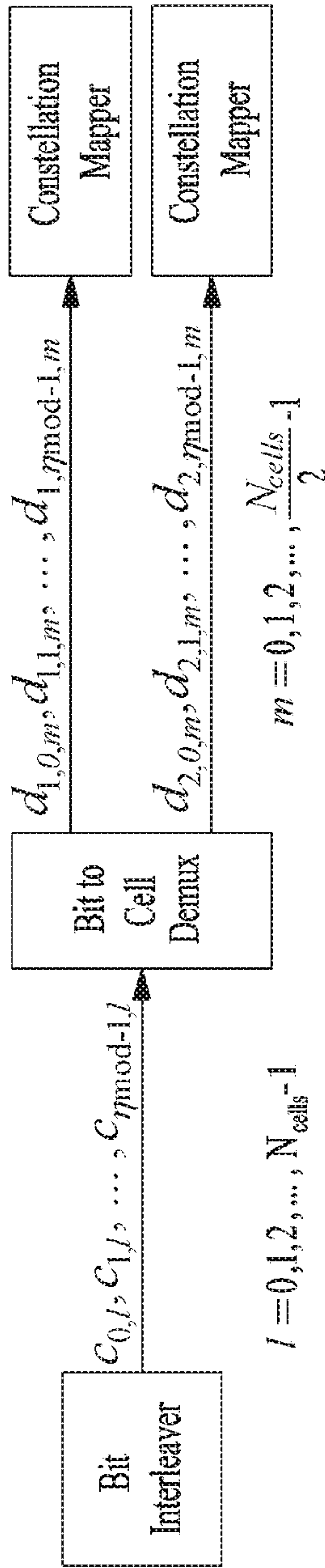


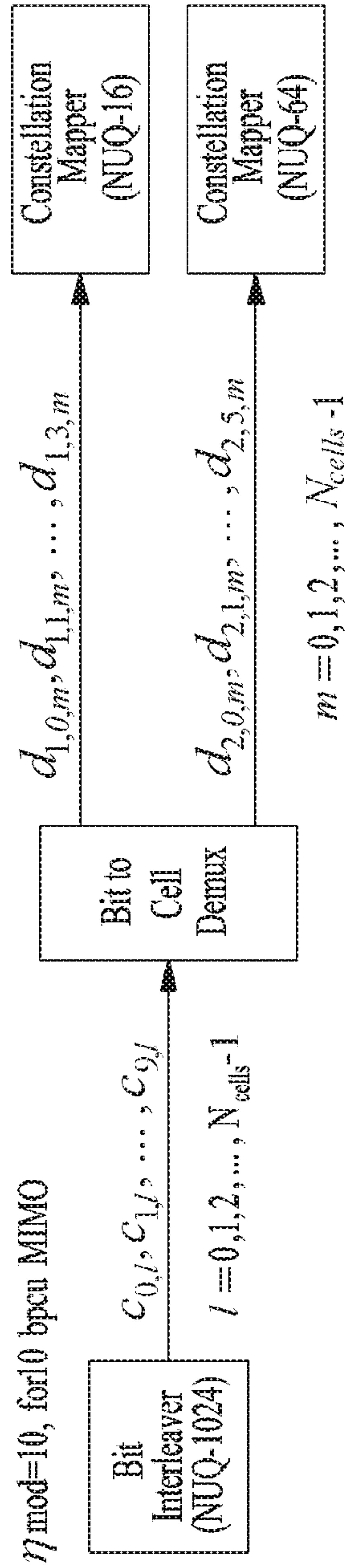
FIG. 24



$$\eta \text{ mod} = \begin{cases} 4, & \text{for 8 bpcu MIMO} \\ 6, & \text{for 12 bpcu MIMO} \end{cases}$$

$$d_{1,k,m} = c_{k,2m}, \quad d_{2,k,m} = c_{k,2m+1}, \quad k = 0, 1, \dots, \eta \text{ mod} - 1, \quad m = 0, 1, \dots, \frac{N_{\text{cells}} - 1}{2}$$

(a)



$$\{d_{1,0,m}, d_{1,1,m}, d_{1,2,m}, d_{1,3,m}\} = \{c_{0,m}, c_{1,m}, c_{4,m}, c_{5,m}\}$$

$$\{d_{2,0,m}, d_{2,1,m}, d_{2,2,m}, d_{2,3,m}, d_{2,4,m}, d_{2,5,m}\} = \{c_{2,m}, c_{3,m}, c_{6,m}, c_{7,m}, c_{8,m}, c_{9,m}\}, \quad m = 0, 1, \dots, N_{\text{cells}} - 1$$

(b)

FIG. 25

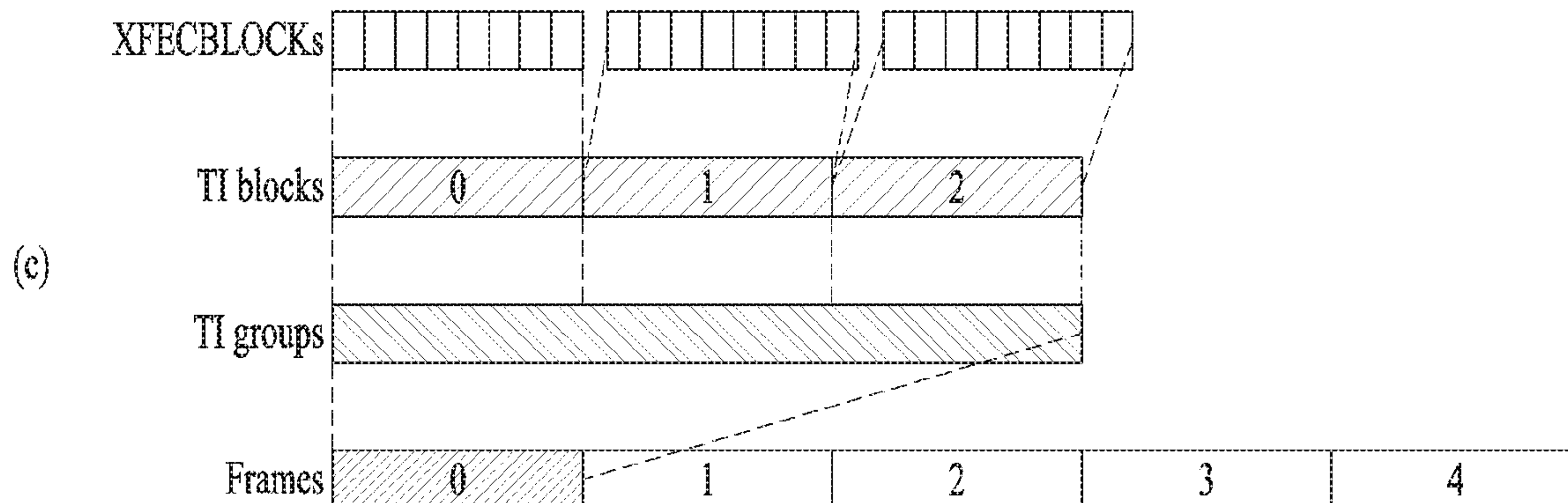
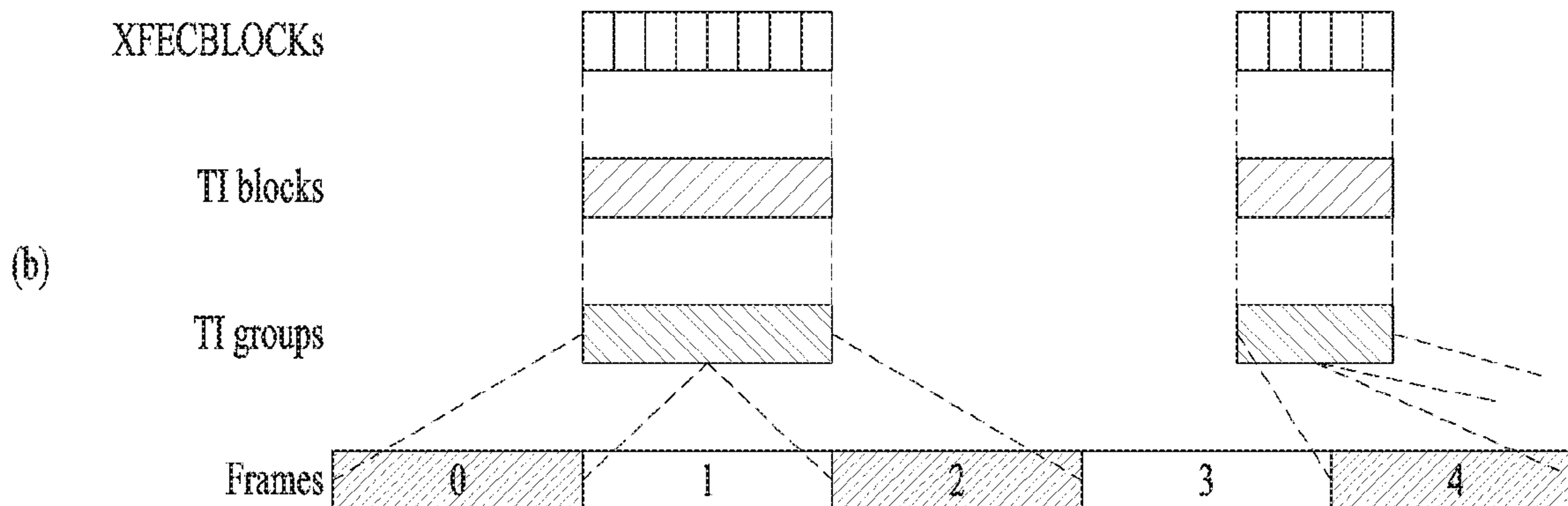
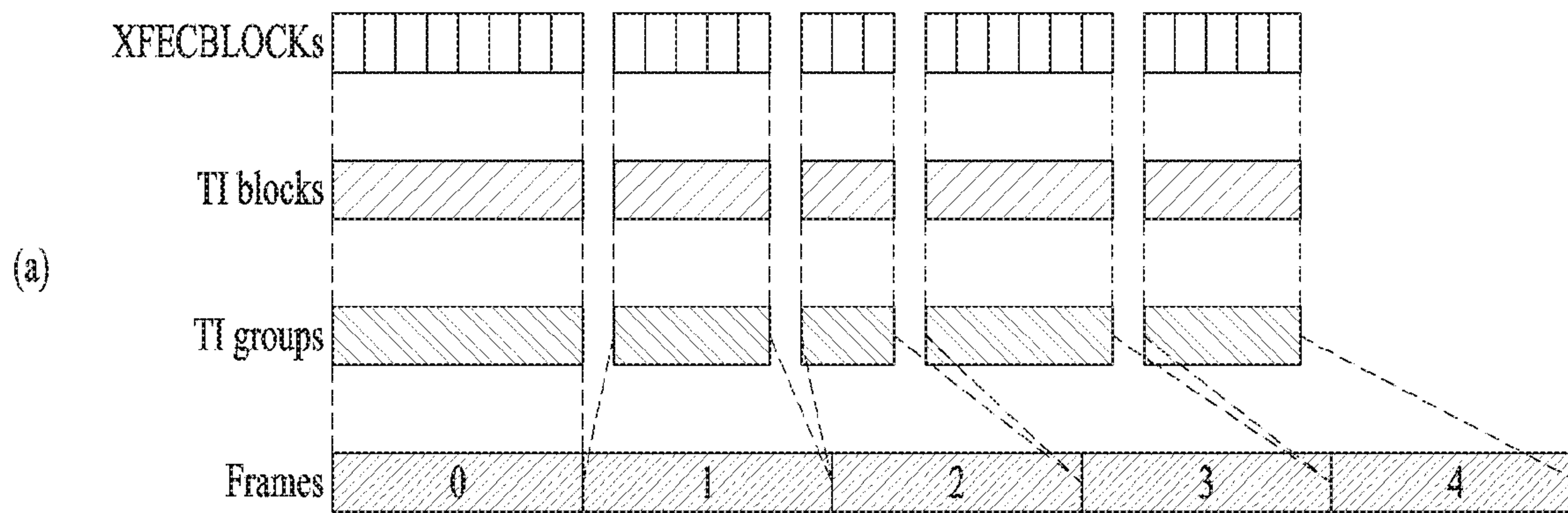


FIG. 26

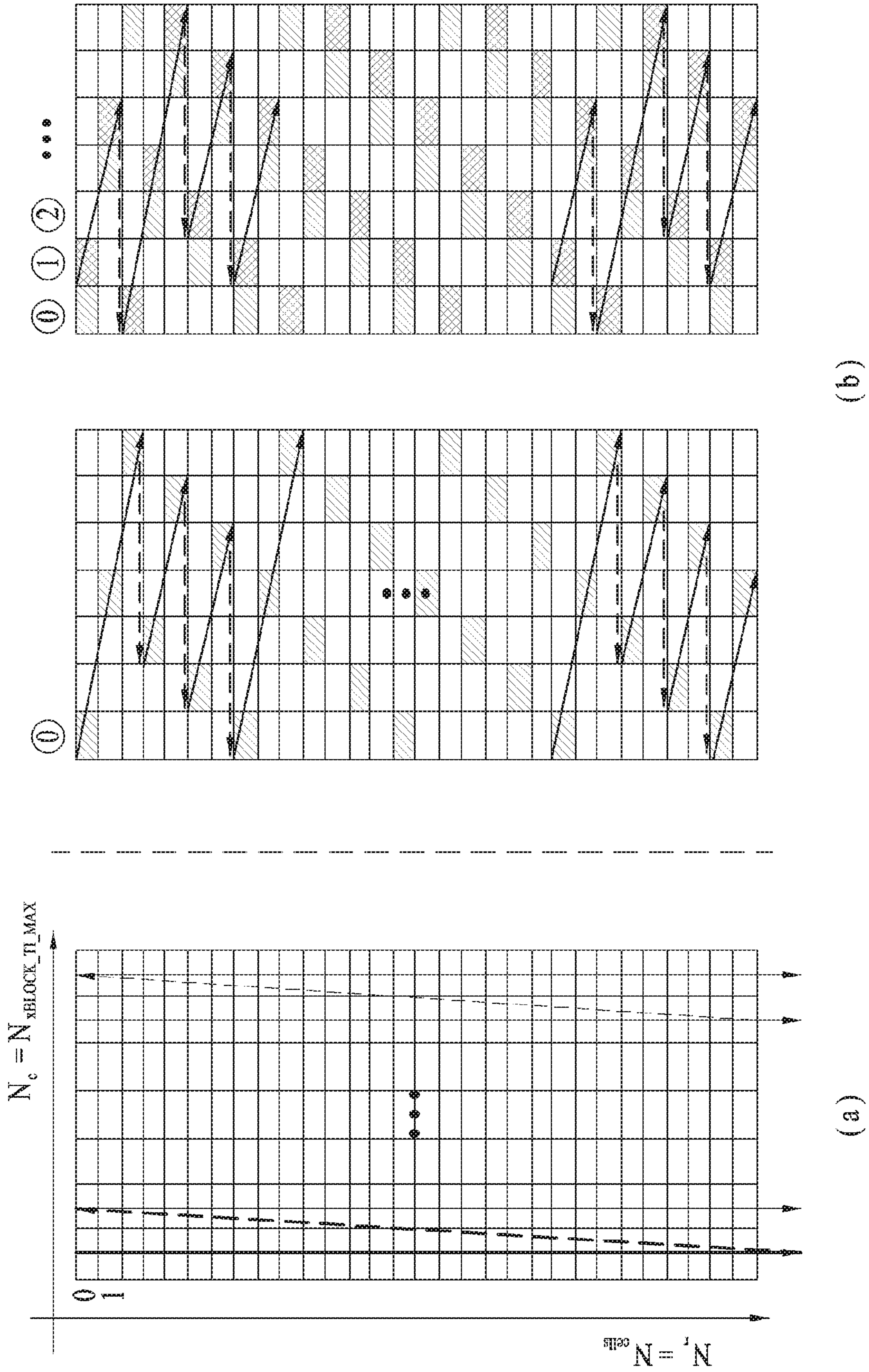


FIG. 27

Virtual XFECBLOCKs

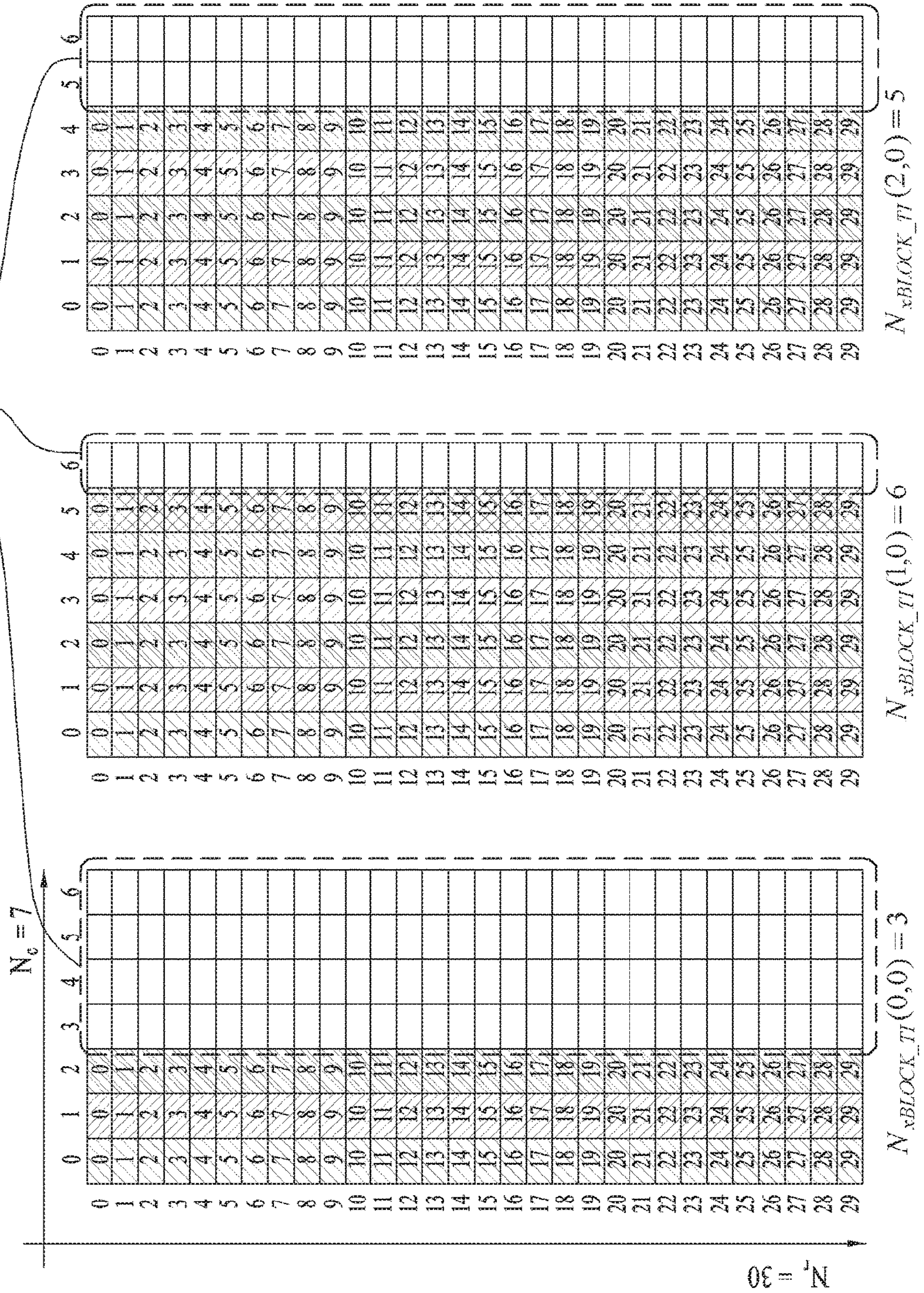


FIG. 28

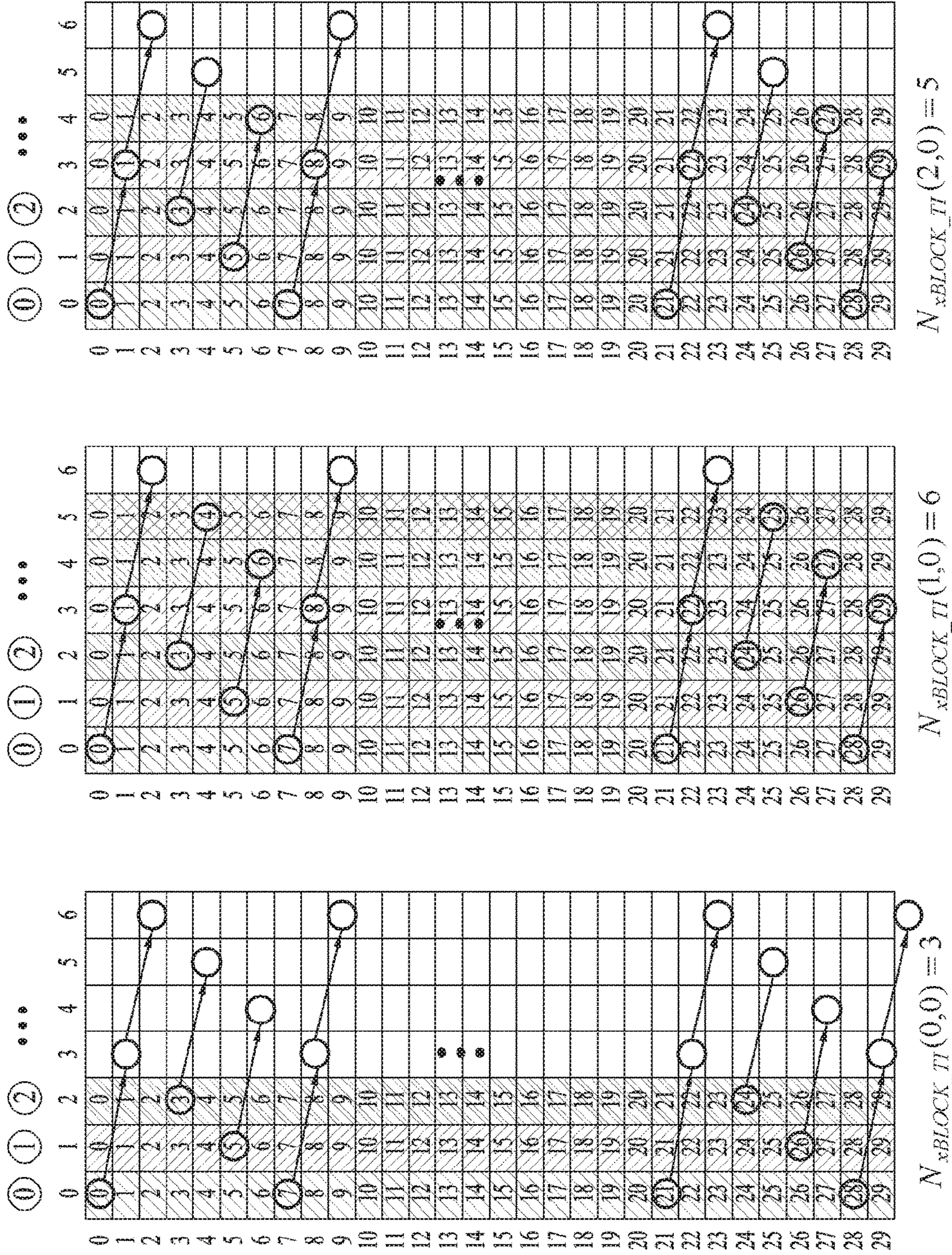
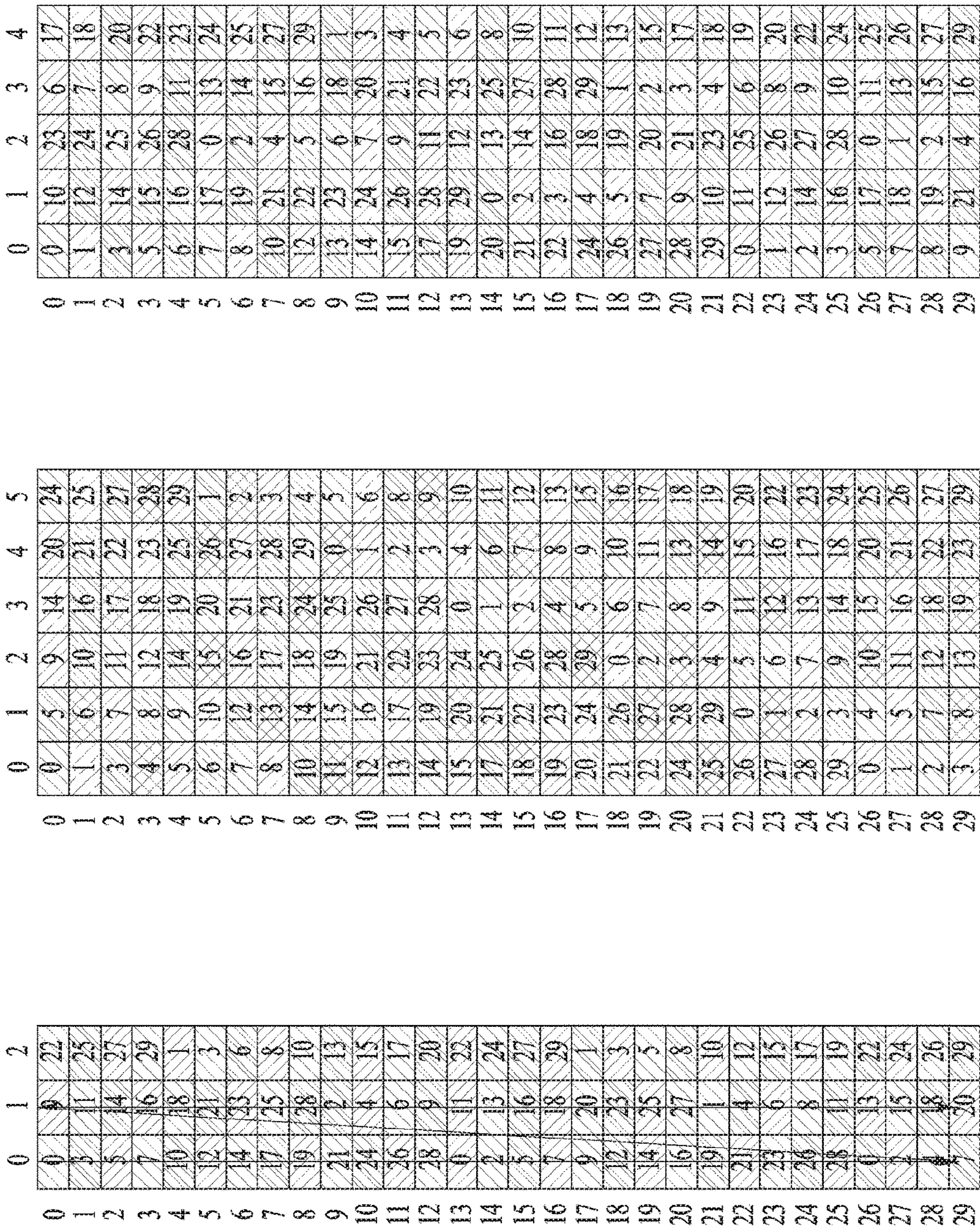


FIG. 29



$N_{xBLOCK_T}(0,0) = 3$

$N_{xBLOCK_T}(1,0) = 6$

$N_{xBLOCK_T}(2,0) = 5$

FIG. 30

$$\begin{bmatrix} X_1(f_1) \\ X_2(f_1) \end{bmatrix} = \frac{1}{\sqrt{1+a^2}} \underbrace{\begin{bmatrix} 1 & 0 \\ 0 & e^{j\phi(q)} \end{bmatrix}}_P \underbrace{\begin{bmatrix} 1 & a \\ a & -1 \end{bmatrix}}_S \begin{bmatrix} S_1 \\ S_2 \end{bmatrix} \text{ or } \begin{bmatrix} X_1(f_1) \\ X_2(f_1) \end{bmatrix} = \frac{1}{\sqrt{1+a^2}} \underbrace{\begin{bmatrix} 1 & 0 \\ 0 & e^{j\phi(q)} \end{bmatrix}}_P \underbrace{\begin{bmatrix} 1 & -a \\ a & 1 \end{bmatrix}}_S \begin{bmatrix} S_1 \\ S_2 \end{bmatrix}$$

$X = P \cdot S$

$e^{j\phi(q)} = \cos\phi(q) + j \sin\phi(q), \phi(q) = \frac{2\pi}{N}q, q = 0, \dots, N_{data} - 1, (N = 9)$

(a)

$$\begin{bmatrix} X_1(f_1) & X_1(f_2) \\ X_2(f_1) & X_2(f_2) \end{bmatrix} = \frac{1}{\sqrt{1+a^2}} \begin{bmatrix} 1 & 0 \\ 0 & e^{j\phi(q)} \end{bmatrix} \underbrace{\begin{bmatrix} S_1 + aS_2 & aS_3 - S_4 \\ S_3 + aS_4 & aS_1 - S_2 \end{bmatrix}}_{\text{Frequency diversity}} \left. \vphantom{\begin{bmatrix} X_1(f_1) & X_1(f_2) \\ X_2(f_1) & X_2(f_2) \end{bmatrix}} \right\} \text{Spatial diversity}$$

or

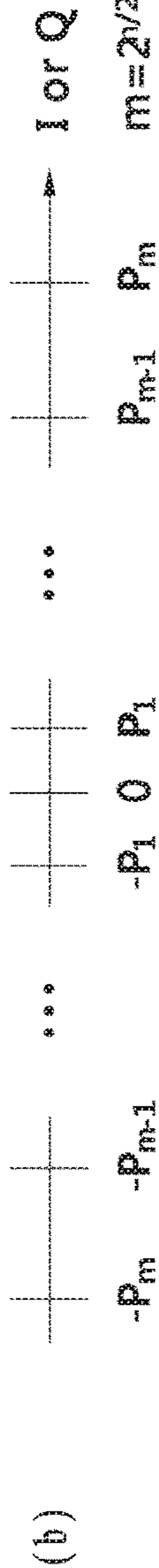
$$\begin{bmatrix} X_1(f_1) & X_1(f_2) \\ X_2(f_1) & X_2(f_2) \end{bmatrix} = \frac{1}{\sqrt{1+a^2}} \begin{bmatrix} 1 & 0 \\ 0 & e^{j\phi(q)} \end{bmatrix} \begin{bmatrix} S_1 - aS_2 & aS_3 + S_4 \\ S_3 - aS_4 & aS_1 + S_2 \end{bmatrix}$$

(b)

FIG. 31

$$(a) \quad a = \sqrt{2} + (2^{\frac{n}{2}} - 1) \text{ for } 2^n \text{ QAM} + 2^n \text{ QAM} \quad a = \begin{cases} \sqrt{2} + 1 & \text{for QPSK + QPSK} \\ \sqrt{2} + 3 & \text{for 16QAM + 16QAM} \\ \sqrt{2} + 7 & \text{for 64QAM + 64QAM} \\ \sqrt{2} + 15 & \text{for 256QAM + 256QAM} \end{cases}$$

1D-NUC PAM grid



$$a = b(P_m - P_{m-1}) + P_m \text{ for } 2^n \text{ QAM} + 2^n \text{ QAM}, m = 2^{\frac{n}{2}-1} \text{ for } 2^n \text{ QAM}, b = \text{Separation factor (e.g. } \frac{\sqrt{2}}{2} \text{)}$$

For 1D-16NUC + 1D-16NUC MIMO

P={1, 3.7}

$$a = \frac{\sqrt{2}}{2}(3.7 - 1) + 3.7$$

For 1D-64NUC + 1D-64NUC MIMO

P={1, 3.27, 5.93, 10.27}

$$a = \frac{\sqrt{2}}{2}(10.27 - 5.93) + 10.27$$

For 1D-256NUC + 1D-256NUC MIMO

P={1, 1.02528, 3.01031, 3.2249, 5.2505, 6.05413, 8.48014, 11.385}

$$a = \frac{\sqrt{2}}{2}(11.385 - 8.48014) + 11.385$$

FIG. 32

$$(a) \quad \begin{bmatrix} Y_1(f_1) \\ Y_2(f_1) \end{bmatrix} = \frac{1}{\sqrt{1+\alpha^2}} \begin{bmatrix} 1 & \alpha \cdot e^{j\varphi} \\ e^{j\varphi} & \alpha \end{bmatrix} \begin{bmatrix} X_1(f_1) \\ X_2(f_1) \end{bmatrix} + \begin{bmatrix} n_1 \\ n_2 \end{bmatrix} \quad \mathbf{Y} = \begin{bmatrix} Y_1(f_1) \\ Y_2(f_1) \end{bmatrix} \quad \mathbf{H}_{PI} = \frac{1}{\sqrt{1+\alpha^2}} \begin{bmatrix} 1 & \alpha \cdot e^{j\varphi} \\ e^{j\varphi} & \alpha \end{bmatrix} \quad \mathbf{X} = \begin{bmatrix} X_1(f_1) \\ X_2(f_1) \end{bmatrix} \quad \mathbf{n} = \begin{bmatrix} n_1 \\ n_2 \end{bmatrix}$$

i.e., $\mathbf{Y} = \mathbf{H}_{PI}\mathbf{X} + \mathbf{n}$, \mathbf{n} : AWGN, $\mathbf{X} = \mathbf{P}\mathbf{S}$, φ : uniform random variable $U(0, \pi)$

$$(b) \quad \text{BICMcap.} = \int \left[\sum_{\mathbf{Y}} \int p(b_i=0, \mathbf{Y}) \log_2 \frac{p(b_i=0, \mathbf{Y})}{p(b_i=0)p(\mathbf{Y})} d\mathbf{Y} + \int p(b_i=1, \mathbf{Y}) \log_2 \frac{p(b_i=1, \mathbf{Y})}{p(b_i=1)p(\mathbf{Y})} d\mathbf{Y} \right] p(\varphi) d\varphi$$

$p(b_i=0) = p(b_i=1) = 1/2$, i.e., $p(\mathbf{S} = \mathbf{M}_j) = 1/M^2$, $p(\varphi) = 1/\pi$, where $\mathbf{S} \in \{\text{constellation set}\}$ and $M = \text{constellation size}$

$$\begin{aligned} p(b_i=j, \mathbf{Y}) &= p(\mathbf{Y} | b_i=j) \cdot p(b_i=j) \\ &= \sum_{\mathbf{M}_j} p(\mathbf{Y} | \mathbf{S} = \mathbf{M}_j) \cdot \frac{1}{M^2} \\ &= \sum_{\mathbf{M}_j} \frac{1}{\pi\sigma^2} e^{-\frac{|\mathbf{Y} - \mathbf{H}_b \mathbf{P} \mathbf{M}_j|^2}{\sigma^2}} \cdot \frac{1}{M^2} \\ \frac{p(b_i=j, \mathbf{Y})}{p(b_i=j)p(\mathbf{Y})} &= \frac{p(\mathbf{Y} | b_i=j)}{p(\mathbf{Y})} \\ &= \frac{p(\mathbf{Y} | b_i=j)}{\sum_j p(b_i=j, \mathbf{Y})} \\ &= \frac{\sum_{\mathbf{M}_j} \frac{1}{\pi\sigma^2} e^{-\frac{|\mathbf{Y} - \mathbf{H}_b \mathbf{P} \mathbf{M}_j|^2}{\sigma^2}} \cdot \frac{1}{M^2}}{\sum_j \sum_{\mathbf{M}_j} \frac{1}{\pi\sigma^2} e^{-\frac{|\mathbf{Y} - \mathbf{H}_b \mathbf{P} \mathbf{M}_j|^2}{\sigma^2}} \cdot \frac{1}{M^2}} \end{aligned}$$

$\mathbf{M}_j \in \{\text{constellation set} | b_i = j\}$

FIG. 33

(a) $\hat{s}_{ml} = \arg \{ \min \| r - Hs \|^2 \leq R^2 \}$

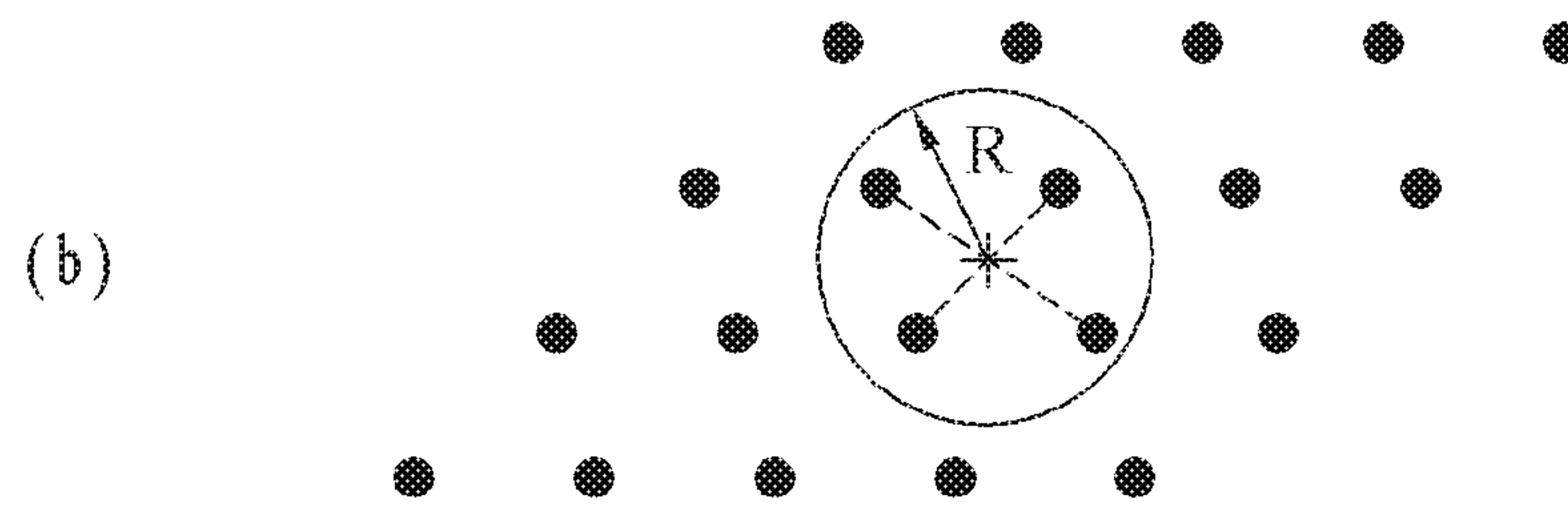


FIG. 34

$$\theta = \tan(a)$$

Code rate	8bpcu		12bpcu		16bpcu	
	Constellation	a(degree)	Constellation	a	Constellation	a
2/15	NUC-16 for CR_3/15	0°	NUC-64 for CR_5/15	8°	NUC-256 for CR_6/15	40°
3/15	NUC-16 for CR_3/15	0°	NUC-64 for CR_5/15	8°	NUC-256 for CR_6/15	40°
4/15	NUC-16 for CR_5/15	0°	NUC-64 for CR_5/15	8°	NUC-256 for CR_6/15	40°
5/15	NUC-16 for CR_5/15	0°	NUC-64 for CR_5/15	8°	NUC-256 for CR_6/15	40°
6/15	NUC-16 for CR_6/15	20°	NUC-64 for CR_6/15	8°	NUC-256 for CR_6/15	40°
7/15	NUC-16 for CR_7/15	25°	NUC-64 for CR_6/15	15°	NUC-256 for CR_6/15	30°
8/15	NUC-16 for CR_8/15	25°	NUC-64 for CR_10/15	20°	NUC-256 for CR_9/15	30°
9/15	NUC-16 for CR_9/15	25°	NUC-64 for CR_11/15	35°	NUC-256 for CR_10/15	30°
10/15	NUC-16 for CR_10/15	35°	NUC-64 for CR_11/15	20°	NUC-256 for CR_12/15	45°
11/15	NUC-16 for CR_11/15	35°	NUC-64 for CR_11/15	20°	NUC-256 for CR_12/15	45°
12/15	NUC-16 for CR_12/15	35°	NUC-64 for CR_13/15	20°	NUC-256 for CR_13/15	45°
13/15	NUC-16 for CR_13/15	35°	NUC-64 for CR_13/15	20°	NUC-256 for CR_13/15	45°

FIG. 35

$$\theta = \tan(a)$$

Code rate	8bpcu		12bpcu		16bpcu	
	Constellation	a(degree)	Constellation	a	Constellation	a
2/15	NUC-16 for CR_2/15	0°	NUC-64 for CR_5/15	8°	NUC-256 for CR_6/15	40°
3/15	NUC-16 for CR_3/15	0°	NUC-64 for CR_5/15	8°	NUC-256 for CR_6/15	40°
4/15	NUC-16 for CR_4/15	0°	NUC-64 for CR_5/15	8°	NUC-256 for CR_6/15	40°
5/15	NUC-16 for CR_5/15	0°	NUC-64 for CR_5/15	8°	NUC-256 for CR_5/15 or NUC-256 for CR_6/15	40°
6/15	NUC-16 for CR_6/15	20°	NUC-64 for CR_6/15	8°	NUC-256 for CR_6/15	40°
7/15	NUC-16 for CR_7/15	25°	NUC-64 for CR_7/15	15°	NUC-256 for CR_6/15	30°
8/15	NUC-16 for CR_8/15	25°	NUC-64 for CR_8/15	20°	NUC-256 for CR_8/15	30°
9/15	NUC-16 for CR_9/15	25°	NUC-64 for CR_9/15	35°	NUC-256 for CR_10/15	30°
10/15	NUC-16 for CR_10/15	35°	NUC-64 for CR_10/15	20°	NUC-256 for CR_12/15	45°
11/15	NUC-16 for CR_11/15	35°	NUC-64 for CR_11/15	20°	NUC-256 for CR_11/15	45°
12/15	NUC-16 for CR_12/15	35°	NUC-64 for CR_12/15	20°	NUC-256 for CR_12/15	45°
13/15	NUC-16 for CR_13/15	35°	NUC-64 for CR_13/15	20°	NUC-256 for CR_13/15	45°

FIG. 36

$$\theta = \tan(a)$$

Code rate	20bpcu		24bpcu	
	Constellation	a(degree)	Constellation	a(degree)
2/15	NUC-1024 for CR_6/15	45°	NUC-2048 for CR_6/15	45°
3/15	NUC-1024 for CR_6/15	45°	NUC-2048 for CR_6/15	45°
4/15	NUC-1024 for CR_6/15	45°	NUC-2048 for CR_6/15	45°
5/15	NUC-1024 for CR_6/15	45°	NUC-2048 for CR_6/15	45°
6/15	NUC-1024 for CR_6/15	45°	NUC-2048 for CR_6/15	45°
7/15	NUC-1024 for CR_7/15	45°	NUC-2048 for CR_7/15	45°
8/15	NUC-1024 for CR_8/15	45°	NUC-2048 for CR_8/15	45°
9/15	NUC-1024 for CR_9/15	45°	NUC-2048 for CR_9/15	45°
10/15	NUC-1024 for CR_10/15	45°	NUC-2048 for CR_10/15	45°
11/15	NUC-1024 for CR_11/15	45°	NUC-2048 for CR_11/15	45°
12/15	NUC-1024 for CR_12/15	45°	NUC-2048 for CR_12/15	45°
13/15	NUC-1024 for CR_13/15	45°	NUC-2048 for CR_13/15	45°

FIG. 37

$$\begin{bmatrix} X_1(f_1) \\ X_2(f_1) \end{bmatrix} = \underbrace{\begin{bmatrix} 1 & 0 \\ 0 & e^{j\phi(q)} \end{bmatrix}}_P \underbrace{\begin{bmatrix} \text{Precodingmatrix} \\ \text{type1, 2, 3, 4} \end{bmatrix}}_S \begin{bmatrix} S_1 \\ S_2 \end{bmatrix}$$

$$e^{j\phi(q)} = \cos\phi(q) + j \sin\phi(q), \phi(q) = \frac{2\pi}{N}q, q = 0, \dots, N_{data} - 1, (N = 9)$$

$$X = P \cdot S$$

$$\begin{aligned} \text{Type 1} & \frac{1}{\sqrt{1+a^2}} \begin{bmatrix} 1 & a \\ a & -1 \end{bmatrix} & \text{Type 2} & \frac{1}{\sqrt{1+a^2}} \begin{bmatrix} 1 & -a \\ a & 1 \end{bmatrix} \\ \text{Type 3} & \begin{bmatrix} \cos \theta & -\sin \theta \\ \sin \theta & \cos \theta \end{bmatrix} & & \theta = \tan^{-1}(a) \\ \text{Type 4} & \begin{bmatrix} \cos \theta(n) & -\sin \theta(n) \\ \sin \theta(n) & \cos \theta(n) \end{bmatrix} & & \theta(n) = \frac{2\pi}{N}n, n = 0, 1, \dots, N-1 \end{aligned}$$

FIG. 38

$$\begin{aligned}
 \text{Type 1 } \begin{bmatrix} X_1(f_1) & X_1(f_2) \\ X_2(f_1) & X_2(f_2) \end{bmatrix} &= \frac{1}{\sqrt{1+a^2}} \begin{bmatrix} 1 & 0 \\ 0 & e^{j\phi(a)} \end{bmatrix} \begin{bmatrix} S_1 + aS_2 & aS_3 - S_4 \\ S_3 + aS_4 & aS_1 - S_2 \end{bmatrix} \left. \vphantom{\begin{bmatrix} X_1(f_1) & X_1(f_2) \\ X_2(f_1) & X_2(f_2) \end{bmatrix}} \right\} \text{Spatial diversity} \\
 &\quad \text{Frequency diversity} \\
 \text{Type 2 } \begin{bmatrix} X_1(f_1) & X_1(f_2) \\ X_2(f_1) & X_2(f_2) \end{bmatrix} &= \frac{1}{\sqrt{1+a^2}} \begin{bmatrix} 1 & 0 \\ 0 & e^{j\phi(a)} \end{bmatrix} \begin{bmatrix} S_1 - aS_2 & aS_3 + S_4 \\ S_3 - aS_4 & aS_1 + S_2 \end{bmatrix} \\
 \text{Type 3 } \begin{bmatrix} X_1(f_1) & X_1(f_2) \\ X_2(f_1) & X_2(f_2) \end{bmatrix} &= \begin{bmatrix} 1 & 0 \\ 0 & e^{j\phi(a)} \end{bmatrix} \begin{bmatrix} \cos\theta \cdot S_1 - \sin\theta \cdot S_2 & \sin\theta \cdot S_3 - \cos\theta \cdot S_4 \\ \cos\theta \cdot S_3 - \sin\theta \cdot S_4 & \sin\theta \cdot S_1 - \cos\theta \cdot S_2 \end{bmatrix} \\
 \text{Type 4 } \begin{bmatrix} X_1(f_1) & X_1(f_2) \\ X_2(f_1) & X_2(f_2) \end{bmatrix} &= \begin{bmatrix} 1 & 0 \\ 0 & e^{j\phi(a)} \end{bmatrix} \begin{bmatrix} \cos\theta(n) \cdot S_1 - \sin\theta(n) \cdot S_2 & \sin\theta(n) \cdot S_3 - \cos\theta(n) \cdot S_4 \\ \cos\theta(n) \cdot S_3 - \sin\theta(n) \cdot S_4 & \sin\theta(n) \cdot S_1 - \cos\theta(n) \cdot S_2 \end{bmatrix}
 \end{aligned}$$

FIG. 39

Type 2	
MIMO_encoding_parameter : 4bits,	
0	→ a : 0,
1	→ a : 0.087489
2	→ a : 0.176327
3	→ a : 0.267949
4	→ a : 0.36397,
5	→ a : 0.466308
6	→ a : 0.57735
7	→ a : 0.700208
8	→ a : 0.8391
9	→ a : 1

Type 3	
MIMO_encoding_parameter : 4bits,	
0	→ θ : 0°
1	→ θ : 5°
2	→ θ : 10°
3	→ θ : 15°
4	→ θ : 20°
5	→ θ : 25°
6	→ θ : 30°
7	→ θ : 35°
8	→ θ : 40°
9	→ θ : 45°

$$\theta = \tan(a)$$

FIG. 40

$$\theta = \tan^{-1}(a)$$

Code rate	4bpcu		8bpcu	
	Constellation	theta	Constellation	theta
2/15	QPSK for CR_2/15	0°	NUC-16 for CR_2/15	0°
3/15	QPSK for CR_3/15	0°	NUC-16 for CR_3/15	0°
4/15	QPSK for CR_4/15	0°	NUC-16 for CR_4/15	0°
5/15	QPSK for CR_5/15	0°	NUC-16 for CR_5/15	0°
6/15	QPSK for CR_6/15	5°	NUC-16 for CR_6/15	0°
7/15	QPSK for CR_7/15	5°	NUC-16 for CR_7/15	0°
8/15	QPSK for CR_8/15	20°	NUC-16 for CR_8/15	0° or 5°
9/15	QPSK for CR_9/15	20°	NUC-16 for CR_9/15	0° or 5°
10/15	QPSK for CR_10/15	35°	NUC-16 for CR_10/15	0° or 5°
11/15	QPSK for CR_11/15	35°	NUC-16 for CR_11/15	0° or 5°
12/15	QPSK for CR_12/15	35°	NUC-16 for CR_12/15	5°
13/15	QPSK for CR_13/15	40°	NUC-16 for CR_13/15	5°

FIG. 41

$$\theta = \tan^{-1}(a)$$

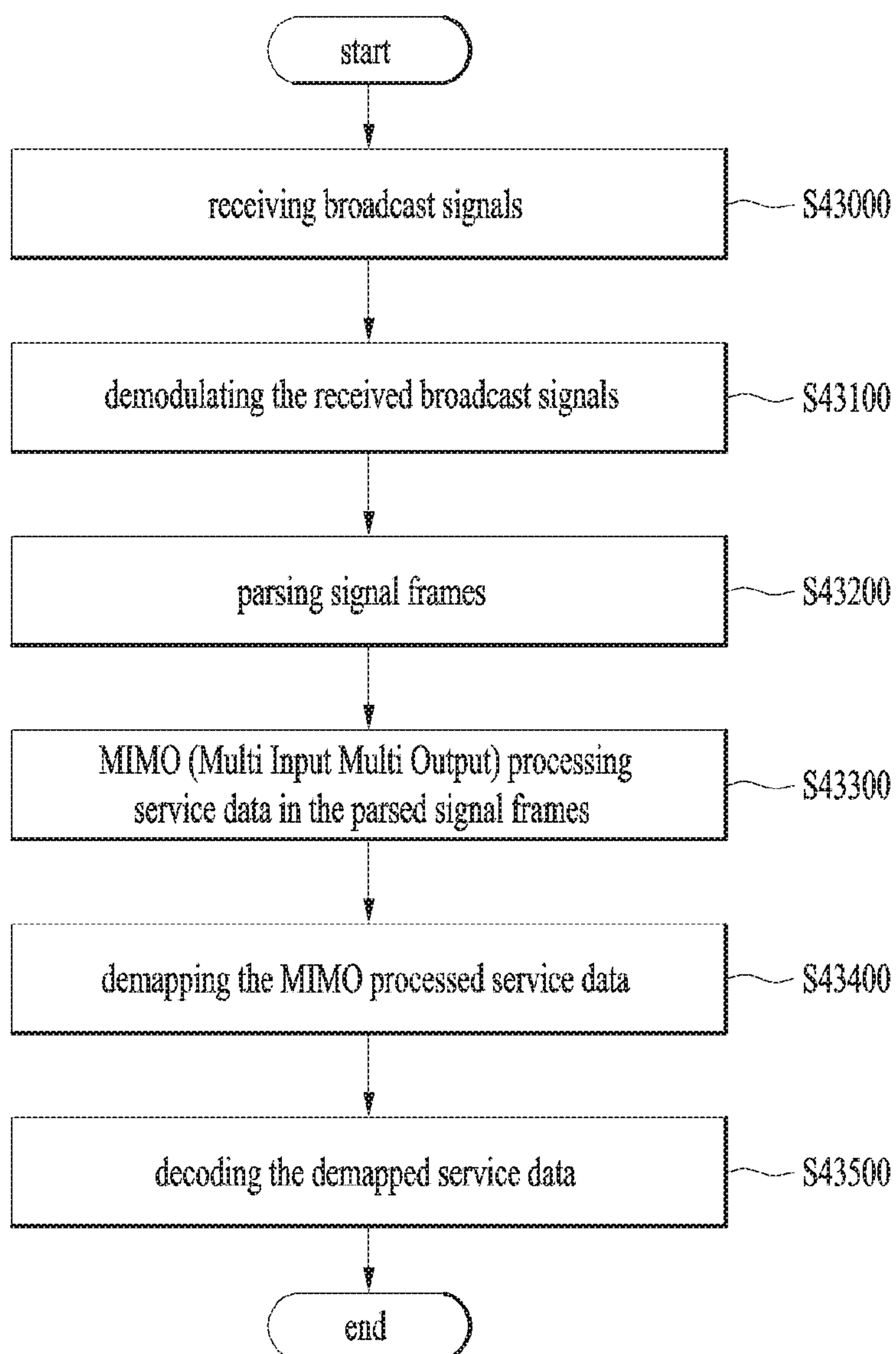
Code rate	12bpcu		16bpcu		20bpcu	
	Constellation	theta	Constellation	theta	Constellation	theta
2/15	NUC-64 for CR_2/15	0°	NUC-256 for CR_2/15	0°	NUC-1K for CR_2/15	0°
3/15	NUC-64 for CR_3/15	0°	NUC-256 for CR_3/15	0°	NUC-1K for CR_3/15	0°
4/15	NUC-64 for CR_4/15	0°	NUC-256 for CR_4/15	0°	NUC-1K for CR_4/15	0°
5/15	NUC-64 for CR_5/15	0°	NUC-256 for CR_5/15	0°	NUC-1K for CR_5/15	0°
6/15	NUC-64 for CR_6/15	0°	NUC-256 for CR_6/15	0°	NUC-1K for CR_6/15	0°
7/15	NUC-64 for CR_7/15	0°	NUC-256 for CR_7/15	0°	NUC-1K for CR_7/15	0°
8/15	NUC-64 for CR_8/15	0°	NUC-256 for CR_8/15	0°	NUC-1K for CR_8/15	0°
9/15	NUC-64 for CR_9/15	0°	NUC-256 for CR_9/15	0°	NUC-1K for CR_9/15	0°
10/15	NUC-64 for CR_10/15	0°	NUC-256 for CR_10/15	0°	NUC-1K for CR_10/15	0°
11/15	NUC-64 for CR_11/15	0°	NUC-256 for CR_11/15	0°	NUC-1K for CR_11/15	0°
12/15	NUC-64 for CR_12/15	0°	NUC-256 for CR_12/15	0°	NUC-1K for CR_12/15	0°
13/15	NUC-64 for CR_13/15	0°	NUC-256 for CR_13/15	0°	NUC-1K for CR_13/15	0°

FIG. 42

$$\theta = \tan^{-1}(a)$$

Code rate	4bpcu	
	Constellation	theta
2/15	NUC-2K for CR_2/15	0°
3/15	NUC-2K for CR_3/15	0°
4/15	NUC-2K for CR_4/15	0°
5/15	NUC-2K for CR_5/15	0°
6/15	NUC-2K for CR_6/15	0°
7/15	NUC-2K for CR_7/15	0°
8/15	NUC-2K for CR_8/15	0°
9/15	NUC-2K for CR_9/15	0°
10/15	NUC-2K for CR_10/15	0°
11/15	NUC-2K for CR_11/15	0°
12/15	NUC-2K for CR_12/15	0°
13/15	NUC-2K for CR_13/15	0°

FIG. 43



**APPARATUS FOR TRANSMITTING
BROADCAST SIGNALS, APPARATUS FOR
RECEIVING BROADCAST SIGNALS,
METHOD FOR TRANSMITTING
BROADCAST SIGNALS AND METHOD FOR
RECEIVING BROADCAST SIGNALS**

Matter enclosed in heavy brackets [] appears in the original patent but forms no part of this reissue specification; matter printed in italics indicates the additions made by reissue; a claim printed with strikethrough indicates that the claim was canceled, disclaimed, or held invalid by a prior post-patent action or proceeding.

CROSS-REFERENCE TO RELATED
APPLICATIONS

[This Application is a Divisional of U.S. patent application Ser. No. 16/376,891 filed on Apr. 5, 2019, which is a Divisional of U.S. patent application Ser. No. 16/175,365 filed on Oct. 30, 2018 (now U.S. Pat. No. 10,277,445, issued on Apr. 30, 2019), which is a Continuation of U.S. patent application Ser. No. 15/877,068 filed on Jan. 22, 2018 (now U.S. Pat. No. 10,135,659, issued on Nov. 20, 2018), which is a Continuation of U.S. patent application Ser. No. 15/467,134 filed on Mar. 23, 2017 (now U.S. Pat. No. 9,906,393, issued on Feb. 27, 2018), which is a Continuation of U.S. patent application Ser. No. 15/060,165 filed on Mar. 3, 2016 (now U.S. Pat. No. 9,635,520, issued on Apr. 25, 2017), which claims the benefit under 35 U.S.C. § 119(e) to U.S. Provisional Application Nos. 62/206,812 filed on Aug. 18, 2015, 62/204,465 filed on Aug. 13, 2015 and 62/130,561 filed on Mar. 9, 2015, where all of these application are hereby expressly incorporated by reference into the present application.]

This Application is a Reissue of U.S. Pat. No. 10,721,112 issued on Jul. 21, 2020 (U.S. patent application Ser. No. 16/678,754 filed Nov. 8, 2019), which is a Divisional of U.S. patent application Ser. No. 16/376,891 filed on Apr. 5, 2019 (now U.S. Pat. No. 10,491,446, issued on Nov. 26, 2019), which is a Divisional of U.S. patent application Ser. No. 16/175,365 filed on Oct. 30, 2018 (now U.S. Pat. No. 10,277,445, issued on Apr. 30, 2019), which is a Continuation of U.S. patent application Ser. No. 15/877,068 filed on Jan. 22, 2018 (now U.S. Pat. No. 10,135,659, issued on Nov. 20, 2018), which is a Continuation of U.S. patent application Ser. No. 15/467,134 filed on Mar. 23, 2017 (now U.S. Pat. No. 9,906,393, issued on Feb. 27, 2018), which is a Continuation of U.S. patent application Ser. No. 15/060,165 filed on Mar. 3, 2016 (now U.S. Pat. No. 9,635,520, issued on Apr. 25, 2017), which claims the benefit under 35 U.S.C. § 119(e) to U.S. Provisional Application Nos. 62/206,812 filed on Aug. 18, 2015, 62/204,465 filed on Aug. 13, 2015 and 62/130,561 filed on Mar. 9, 2015, where all of these application are hereby expressly incorporated by reference into the present application.

BACKGROUND OF THE INVENTION

Field of the Invention

The present invention relates to an apparatus for transmitting broadcast signals, an apparatus for receiving broadcast signals and methods for transmitting and receiving broadcast signals.

Discussion of the Related Art

As analog broadcast signal transmission comes to an end, various technologies for transmitting/receiving digital broadcast signals are being developed. A digital broadcast signal may include a larger amount of video/audio data than an analog broadcast signal and further include various types of additional data in addition to the video/audio data.

That is, a digital broadcast system can provide HD (high definition) images, multi-channel audio and various additional services. However, data transmission efficiency for transmission of large amounts of data, robustness of transmission/reception networks and network flexibility in consideration of mobile reception equipment need to be improved for digital broadcast.

SUMMARY OF THE INVENTION

Accordingly, the present invention is directed to an apparatus for transmitting broadcast signals and an apparatus for receiving broadcast signals for future broadcast services and methods for transmitting and receiving broadcast signals for future broadcast services.

An object of the present invention is to provide an apparatus and method for transmitting broadcast signals to multiplex data of a broadcast transmission/reception system providing two or more different broadcast services in a time domain and transmit the multiplexed data through the same RF signal bandwidth and an apparatus and method for receiving broadcast signals corresponding thereto.

Another object of the present invention is to provide an apparatus for transmitting broadcast signals, an apparatus for receiving broadcast signals and methods for transmitting and receiving broadcast signals to classify data corresponding to services by components, transmit data corresponding to each component as a data pipe, receive and process the data

Still another object of the present invention is to provide an apparatus for transmitting broadcast signals, an apparatus for receiving broadcast signals and methods for transmitting and receiving broadcast signals to signal signaling information necessary to provide broadcast signals.

To achieve the object and other advantages and in accordance with the purpose of the invention, as embodied and broadly described herein, a method for receiving broadcast signals, the method comprises receiving broadcast signals, demodulating the received broadcast signals by an OFDM (Orthogonal Frequency Division Multiplex) scheme, parsing signal frames from the demodulated broadcast signals, MIMO (Multi Input Multi Output) processing service data in the parsed signal frames based on a rotation matrix with a rotation angle, wherein the value of the rotation angle depends on a modulation order and code rate of the service data, wherein the modulation order is one of QPSK modulation and NUC (non-uniform constellation), demapping the MIMO processed service data and decoding the demapped service data.

The present invention can process data according to service characteristics to control QoS (Quality of Services) for each service or service component, thereby providing various broadcast services.

The present invention can achieve transmission flexibility by transmitting various broadcast services through the same RF signal bandwidth.

The present invention can improve data transmission efficiency and increase robustness of transmission/reception of broadcast signals using a MIMO system.

According to the present invention, it is possible to provide broadcast signal transmission and reception methods and apparatus capable of receiving digital broadcast signals without error even with mobile reception equipment or in an indoor environment.

BRIEF DESCRIPTION OF THE DRAWINGS

The accompanying drawings, which are included to provide a further understanding of the invention and are incorporated in and constitute a part of this application, illustrate embodiment(s) of the invention and together with the description serve to explain the principle of the invention. In the drawings:

FIG. 1 illustrates a structure of an apparatus for transmitting broadcast signals for future broadcast services according to an embodiment of the present invention.

FIG. 2 illustrates an input formatting block according to one embodiment of the present invention.

FIG. 3 illustrates an input formatting block according to another embodiment of the present invention.

FIG. 4 illustrates an input formatting block according to another embodiment of the present invention.

FIG. 5 illustrates a BICM block according to an embodiment of the present invention.

FIG. 6 illustrates a BICM block according to another embodiment of the present invention.

FIG. 7 illustrates a frame building block according to one embodiment of the present invention.

FIG. 8 illustrates an OFDM generation block according to an embodiment of the present invention.

FIG. 9 illustrates a structure of an apparatus for receiving broadcast signals for future broadcast services according to an embodiment of the present invention.

FIG. 10 illustrates a frame structure according to an embodiment of the present invention.

FIG. 11 illustrates a signaling hierarchy structure of the frame according to an embodiment of the present invention.

FIG. 12 illustrates preamble signaling data according to an embodiment of the present invention.

FIG. 13 illustrates PLS1 data according to an embodiment of the present invention.

FIG. 14 illustrates PLS2 data according to an embodiment of the present invention.

FIG. 15 illustrates PLS2 data according to another embodiment of the present invention.

FIG. 16 illustrates a logical structure of a frame according to an embodiment of the present invention.

FIG. 17 illustrates PLS mapping according to an embodiment of the present invention.

FIG. 18 illustrates EAC mapping according to an embodiment of the present invention.

FIG. 19 illustrates FIC mapping according to an embodiment of the present invention.

FIG. 20 illustrates a type of DP according to an embodiment of the present invention.

FIG. 21 illustrates DP mapping according to an embodiment of the present invention.

FIG. 22 illustrates an FEC structure according to an embodiment of the present invention.

FIG. 23 illustrates a bit interleaving according to an embodiment of the present invention.

FIG. 24 illustrates a cell-word demultiplexing according to an embodiment of the present invention.

FIG. 25 illustrates a time interleaving according to an embodiment of the present invention.

FIG. 26 illustrates the basic operation of a twisted row-column block interleaver according to an embodiment of the present invention.

FIG. 27 illustrates an operation of a twisted row-column block interleaver according to another embodiment of the present invention.

FIG. 28 illustrates a diagonal-wise reading pattern of a twisted row-column block interleaver according to an embodiment of the present invention.

FIG. 29 illustrates interleaved XFECBLOCKs from each interleaving array according to an embodiment of the present invention.

FIG. 30 shows equations that express a matrix according to the MIMO scheme according to an embodiment of the present invention.

FIG. 31 shows the MIMO parameter "a" when an NUC is applied according to an embodiment of the present invention.

FIG. 32 shows an equation that expresses a MIMO scheme in consideration of power imbalance and a correlated channel environment and an equation that expresses a capacity of BICM according to an embodiment of the present invention.

FIG. 33 shows an equation that expresses a condition of a MIMO decoder for an NUC.

FIG. 34 shows MIMO constellations and MIMO parameters "a" proposed for 8 bits per cell unit (bpcu), 12 bpcu, and 16 bpcu according to an embodiment of the present invention.

FIG. 35 shows MIMO constellations and MIMO parameters "a" proposed for 8 bpcu, 12 bpcu, and 16 bpcu according to another embodiment of the present invention.

FIG. 36 shows MIMO constellations and MIMO parameters "a" proposed for 20 bpcu and 24 bpcu according to an embodiment of the present invention.

FIG. 37 shows a type of a precoding matrix of the PH-eSM scheme according to an embodiment of the present invention.

FIG. 38 shows a MIMO matrix of the FRFD scheme according to an embodiment of the present invention.

FIG. 39 shows signaling information for signaling a MIMO matrix according to an embodiment of the present invention.

FIG. 40 shows MIMO constellations and MIMO parameters proposed for 4 bpcu and 8 bpcu according to another embodiment of the present invention.

FIG. 41 shows MIMO constellations and MIMO parameters proposed for 12 bpcu, 16 bpcu and 20 bpcu according to another embodiment of the present invention.

FIG. 42 shows MIMO constellations and MIMO parameters proposed for 24 bpcu according to another embodiment of the present invention.

FIG. 43 is a flowchart illustrating a method for receiving broadcast signals according to an embodiment of the present invention.

DETAILED DESCRIPTION OF THE INVENTION

Reference will now be made in detail to the preferred embodiments of the present invention, examples of which are illustrated in the accompanying drawings. The detailed description, which will be given below with reference to the accompanying drawings, is intended to explain exemplary embodiments of the present invention, rather than to show the only embodiments that can be implemented according to the present invention. The following detailed description

5

includes specific details in order to provide a thorough understanding of the present invention. However, it will be apparent to those skilled in the art that the present invention may be practiced without such specific details.

Although most terms used in the present invention have been selected from general ones widely used in the art, some terms have been arbitrarily selected by the applicant and their meanings are explained in detail in the following description as needed. Thus, the present invention should be understood based upon the intended meanings of the terms rather than their simple names or meanings.

The present invention provides apparatuses and methods for transmitting and receiving broadcast signals for future broadcast services. Future broadcast services according to an embodiment of the present invention include a terrestrial broadcast service, a mobile broadcast service, a UHDTV service, etc. The present invention may process broadcast signals for the future broadcast services through non-MIMO (Multiple Input Multiple Output) or MIMO according to one embodiment. A non-MIMO scheme according to an embodiment of the present invention may include a MISO (Multiple Input Single Output) scheme, a SISO (Single Input Single Output) scheme, etc.

While MISO or MIMO uses two antennas in the following for convenience of description, the present invention is applicable to systems using two or more antennas.

The present invention may define three physical layer (PL) profiles—base, handheld and advanced profiles—each optimized to minimize receiver complexity while attaining the performance required for a particular use case. The physical layer (PHY) profiles are subsets of all configurations that a corresponding receiver should implement.

The three PHY profiles share most of the functional blocks but differ slightly in specific blocks and/or parameters. Additional PHY profiles can be defined in the future. For the system evolution, future profiles can also be multiplexed with the existing profiles in a single RF channel through a future extension frame (FEF). The details of each PHY profile are described below.

1. Base Profile

The base profile represents a main use case for fixed receiving devices that are usually connected to a roof-top antenna. The base profile also includes portable devices that could be transported to a place but belong to a relatively stationary reception category. Use of the base profile could be extended to handheld devices or even vehicular by some improved implementations, but those use cases are not expected for the base profile receiver operation.

Target SNR range of reception is from approximately 10 to 20 dB, which includes the 15 dB SNR reception capability of the existing broadcast system (e.g. ATSC A/53). The receiver complexity and power consumption are not as critical as in the battery-operated handheld devices, which will use the handheld profile. Key system parameters for the base profile are listed in below table 1.

TABLE 1

LDPC codeword length	16K, 64K bits
Constellation size	4~10 bpcu (bits per channel use)
Time de-interleaving memory size	$\leq 2^{19}$ data cells
Pilot patterns	Pilot pattern for fixed reception
FFT size	16K, 32K points

2. Handheld Profile

The handheld profile is designed for use in handheld and vehicular devices that operate with battery power. The

6

devices can be moving with pedestrian or vehicle speed. The power consumption as well as the receiver complexity is very important for the implementation of the devices of the handheld profile. The target SNR range of the handheld profile is approximately 0 to 10 dB, but can be configured to reach below 0 dB when intended for deeper indoor reception.

In addition to low SNR capability, resilience to the Doppler Effect caused by receiver mobility is the most important performance attribute of the handheld profile. Key system parameters for the handheld profile are listed in the below table 2.

TABLE 2

LDPC codeword length	16K bits
Constellation size	2~8 bpcu
Time de-interleaving memory size	$\leq 2^{18}$ data cells
Pilot patterns	Pilot patterns for mobile and indoor reception
FFT size	8K, 16K points

3. Advanced Profile

The advanced profile provides highest channel capacity at the cost of more implementation complexity. This profile requires using MIMO transmission and reception, and UHDTV service is a target use case for which this profile is specifically designed. The increased capacity can also be used to allow an increased number of services in a given bandwidth, e.g., multiple SDTV or HDTV services.

The target SNR range of the advanced profile is approximately 20 to 30 dB. MIMO transmission may initially use existing elliptically-polarized transmission equipment, with extension to full-power cross-polarized transmission in the future. Key system parameters for the advanced profile are listed in below table 3.

TABLE 3

LDPC codeword length	16K, 64K bits
Constellation size	8~12 bpcu (bits per channel use)
Time de-interleaving memory size	$\leq 2^{19}$ data cells
Pilot patterns	Pilot pattern for fixed reception
FFT size	16K, 32K points

In this case, the base profile can be used as a profile for both the terrestrial broadcast service and the mobile broadcast service. That is, the base profile can be used to define a concept of a profile which includes the mobile profile. Also, the advanced profile can be divided advanced profile for a base profile with MIMO and advanced profile for a handheld profile with MIMO. Moreover, the three profiles can be changed according to intention of the designer.

The following terms and definitions may apply to the present invention. The following terms and definitions can be changed according to design.

auxiliary stream: sequence of cells carrying data of as yet undefined modulation and coding, which may be used for future extensions or as required by broadcasters or network operators

base data pipe: data pipe that carries service signaling data
baseband frame (or BBFRAME): set of K_{bch} bits which form the input to one FEC encoding process (BCH and LDPC encoding)

cell: modulation value that is carried by one carrier of the OFDM transmission

coded block: LDPC-encoded block of PLS1 data or one of the LDPC-encoded blocks of PLS2 data

data pipe: logical channel in the physical layer that carries service data or related metadata, which may carry one or multiple service(s) or service component(s).

data pipe unit: a basic unit for allocating data cells to a DP in a frame.

data symbol: OFDM symbol in a frame which is not a preamble symbol (the frame signaling symbol and frame edge symbol is included in the data symbol)

DP_ID: this 8-bit field identifies uniquely a DP within the system identified by the SYSTEM_ID

dummy cell: cell carrying a pseudo-random value used to fill the remaining capacity not used for PLS signaling, DPs or auxiliary streams

emergency alert channel: part of a frame that carries EAS information data

frame: physical layer time slot that starts with a preamble and ends with a frame edge symbol

frame repetition unit: a set of frames belonging to same or different physical layer profile including a FEF, which is repeated eight times in a super-frame

fast information channel: a logical channel in a frame that carries the mapping information between a service and the corresponding base DP

FECBLOCK: set of LDPC-encoded bits of a DP data

FFT size: nominal FFT size used for a particular mode, equal to the active symbol period T_s expressed in cycles of the elementary period T

frame signaling symbol: OFDM symbol with higher pilot density used at the start of a frame in certain combinations of FFT size, guard interval and scattered pilot pattern, which carries a part of the PLS data

frame edge symbol: OFDM symbol with higher pilot density used at the end of a frame in certain combinations of FFT size, guard interval and scattered pilot pattern

frame-group: the set of all the frames having the same PHY profile type in a super-frame.

future extension frame: physical layer time slot within the super-frame that could be used for future extension, which starts with a preamble

Futurecast UTB system: proposed physical layer broadcasting system, of which the input is one or more MPEG2-TS or IP or general stream(s) and of which the output is an RF signal

input stream: A stream of data for an ensemble of services delivered to the end users by the system.

normal data symbol: data symbol excluding the frame signaling symbol and the frame edge symbol

PHY profile: subset of all configurations that a corresponding receiver should implement

PLS: physical layer signaling data consisting of PLS1 and PLS2

PLS1: a first set of PLS data carried in the FSS symbols having a fixed size, coding and modulation, which carries basic information about the system as well as the parameters needed to decode the PLS2

NOTE: PLS1 data remains constant for the duration of a frame-group.

PLS2: a second set of PLS data transmitted in the FSS symbol, which carries more detailed PLS data about the system and the DPs

PLS2 dynamic data: PLS2 data that may dynamically change frame-by-frame

PLS2 static data: PLS2 data that remains static for the duration of a frame-group

preamble signaling data: signaling data carried by the preamble symbol and used to identify the basic mode of the system

preamble symbol: fixed-length pilot symbol that carries basic PLS data and is located in the beginning of a frame

NOTE: The preamble symbol is mainly used for fast initial band scan to detect the system signal, its timing, frequency offset, and FFT-size.

reserved for future use: not defined by the present document but may be defined in future

super-frame: set of eight frame repetition units

time interleaving block (TI block): set of cells within which time interleaving is carried out, corresponding to one use of the time interleaver memory

TI group: unit over which dynamic capacity allocation for a particular DP is carried out, made up of an integer, dynamically varying number of XFECBLOCKs

NOTE: The TI group may be mapped directly to one frame or may be mapped to multiple frames. It may contain one or more TI blocks.

Type 1 DP: DP of a frame where all DPs are mapped into the frame in TDM fashion

Type 2 DP: DP of a frame where all DPs are mapped into the frame in FDM fashion

XFECBLOCK: set of Ncells cells carrying all the bits of one LDPC FECBLOCK

FIG. 1 illustrates a structure of an apparatus for transmitting broadcast signals for future broadcast services according to an embodiment of the present invention.

The apparatus for transmitting broadcast signals for future broadcast services according to an embodiment of the present invention can include an input formatting block **1000**, a BICM (Bit interleaved coding & modulation) block **1010**, a frame building block **1020**, an OFDM (Orthogonal Frequency Division Multiplexing) generation block **1030** and a signaling generation block **1040**. A description will be given of the operation of each module of the apparatus for transmitting broadcast signals.

IP stream/packets and MPEG2-TS are the main input formats, other stream types are handled as General Streams. In addition to these data inputs, Management Information is input to control the scheduling and allocation of the corresponding bandwidth for each input stream. One or multiple TS stream(s), IP stream(s) and/or General Stream(s) inputs are simultaneously allowed.

The input formatting block **1000** can demultiplex each input stream into one or multiple data pipe(s), to each of which an independent coding and modulation is applied. The data pipe (DP) is the basic unit for robustness control, thereby affecting quality-of-service (QoS). One or multiple service(s) or service component(s) can be carried by a single DP. Details of operations of the input formatting block **1000** will be described later.

The data pipe is a logical channel in the physical layer that carries service data or related metadata, which may carry one or multiple service(s) or service component(s).

Also, the data pipe unit: a basic unit for allocating data cells to a DP in a frame.

In the BICM block **1010**, parity data is added for error correction and the encoded bit streams are mapped to complex-value constellation symbols. The symbols are interleaved across a specific interleaving depth that is used for the corresponding DP. For the advanced profile, MIMO encoding is performed in the BICM block **1010** and the additional data path is added at the output for MIMO transmission. Details of operations of the BICM block **1010** will be described later.

The Frame Building block **1020** can map the data cells of the input DPs into the OFDM symbols within a frame. After mapping, the frequency interleaving is used for frequency-

domain diversity, especially to combat frequency-selective fading channels. Details of operations of the Frame Building block **1020** will be described later.

After inserting a preamble at the beginning of each frame, the OFDM Generation block **1030** can apply conventional OFDM modulation having a cyclic prefix as guard interval. For antenna space diversity, a distributed MISO scheme is applied across the transmitters. In addition, a Peak-to-Average Power Reduction (PAPR) scheme is performed in the time domain. For flexible network planning, this proposal provides a set of various FFT sizes, guard interval lengths and corresponding pilot patterns. Details of operations of the OFDM Generation block **1030** will be described later.

The Signaling Generation block **1040** can create physical layer signaling information used for the operation of each functional block. This signaling information is also transmitted so that the services of interest are properly recovered at the receiver side. Details of operations of the Signaling Generation block **1040** will be described later.

FIGS. **2**, **3** and **4** illustrate the input formatting block **1000** according to embodiments of the present invention. A description will be given of each figure.

FIG. **2**, including (a) and (b), illustrates an input formatting block according to one embodiment of the present invention. FIG. **2** shows an input formatting module when the input signal is a single input stream.

The input formatting block illustrated in FIG. **2** corresponds to an embodiment of the input formatting block **1000** described with reference to FIG. **1**.

The input to the physical layer may be composed of one or multiple data streams. Each data stream is carried by one DP. The mode adaptation modules slice the incoming data stream into data fields of the baseband frame (BBF). The system supports three types of input data streams: MPEG2-TS, Internet protocol (IP) and Generic stream (GS). MPEG2-TS is characterized by fixed length (188 byte) packets with the first byte being a sync-byte (0x47). An IP stream is composed of variable length IP datagram packets, as signaled within IP packet headers. The system supports both IPv4 and IPv6 for the IP stream. GS may be composed of variable length packets or constant length packets, signaled within encapsulation packet headers.

FIG. **2(a)** shows a mode adaptation block **2000** and a stream adaptation **2010** for signal DP, and FIG. **2(b)** shows a PLS generation block **2020** and a PLS scrambler **2030** for generating and processing PLS data. A description will be given of the operation of each block.

The Input Stream Splitter splits the input TS, IP, GS streams into multiple service or service component (audio, video, etc.) streams. The mode adaptation module **2010** is comprised of a CRC Encoder, BB (baseband) Frame Slicer, and BB Frame Header Insertion block.

The CRC Encoder provides three kinds of CRC encoding for error detection at the user packet (UP) level, i.e., CRC-8, CRC-16, and CRC-32. The computed CRC bytes are appended after the UP. CRC-8 is used for TS stream and CRC-32 for IP stream. If the GS stream doesn't provide the CRC encoding, the proposed CRC encoding should be applied.

BB Frame Slicer maps the input into an internal logical-bit format. The first received bit is defined to be the MSB. The BB Frame Slicer allocates a number of input bits equal to the available data field capacity. To allocate a number of input bits equal to the BBF payload, the UP packet stream is sliced to fit the data field of BBF.

BB Frame Header Insertion block can insert fixed length BBF header of 2 bytes is inserted in front of the BB Frame.

The BBF header is composed of STUFFI (1 bit), SYNCDC (13 bits), and RFU (2 bits). In addition to the fixed 2-Byte BBF header, BBF can have an extension field (1 or 3 bytes) at the end of the 2-byte BBF header.

The stream adaptation **2010** is comprised of stuffing insertion block and BB scrambler.

The stuffing insertion block can insert stuffing field into a payload of a BB frame. If the input data to the stream adaptation is sufficient to fill a BB-Frame, STUFFI is set to '0' and the BBF has no stuffing field. Otherwise STUFFI is set to '1' and the stuffing field is inserted immediately after the BBF header. The stuffing field comprises two bytes of the stuffing field header and a variable size of stuffing data.

The BB scrambler scrambles complete BBF for energy dispersal. The scrambling sequence is synchronous with the BBF. The scrambling sequence is generated by the feedback shift register.

The PLS generation block **2020** can generate physical layer signaling (PLS) data. The PLS provides the receiver with a means to access physical layer DPs. The PLS data consists of PLS1 data and PLS2 data.

The PLS1 data is a first set of PLS data carried in the FSS symbols in the frame having a fixed size, coding and modulation, which carries basic information about the system as well as the parameters needed to decode the PLS2 data. The PLS1 data provides basic transmission parameters including parameters required to enable the reception and decoding of the PLS2 data. Also, the PLS1 data remains constant for the duration of a frame-group.

The PLS2 data is a second set of PLS data transmitted in the FSS symbol, which carries more detailed PLS data about the system and the DPs. The PLS2 contains parameters that provide sufficient information for the receiver to decode the desired DP. The PLS2 signaling further consists of two types of parameters, PLS2 Static data (PLS2-STAT data) and PLS2 dynamic data (PLS2-DYN data). The PLS2 Static data is PLS2 data that remains static for the duration of a frame-group and the PLS2 dynamic data is PLS2 data that may dynamically change frame-by-frame.

Details of the PLS data will be described later.

The PLS scrambler **2030** can scramble the generated PLS data for energy dispersal.

The above-described blocks may be omitted or replaced by blocks having similar or identical functions.

FIG. **3** illustrates an input formatting block according to another embodiment of the present invention.

The input formatting block illustrated in FIG. **3** corresponds to an embodiment of the input formatting block **1000** described with reference to FIG. **1**.

FIG. **3** shows a mode adaptation block of the input formatting block when the input signal corresponds to multiple input streams.

The mode adaptation block of the input formatting block for processing the multiple input streams can independently process the multiple input streams.

Referring to FIG. **3**, the mode adaptation block for respectively processing the multiple input streams can include an input stream splitter **3000**, an input stream synchronizer **3010**, a compensating delay block **3020**, a null packet deletion block **3030**, a head compression block **3040**, a CRC encoder **3050**, a BB frame slicer **3060** and a BB header insertion block **3070**. Description will be given of each block of the mode adaptation block.

Operations of the CRC encoder **3050**, BB frame slicer **3060** and BB header insertion block **3070** correspond to those of the CRC encoder, BB frame slicer and BB header

insertion block described with reference to FIG. 2 and thus description thereof is omitted.

The input stream splitter **3000** can split the input TS, IP, GS streams into multiple service or service component (audio, video, etc.) streams.

The input stream synchronizer **3010** may be referred as ISSY. The ISSY can provide suitable means to guarantee Constant Bit Rate (CBR) and constant end-to-end transmission delay for any input data format. The ISSY is always used for the case of multiple DPs carrying TS, and optionally used for multiple DPs carrying GS streams.

The compensating delay block **3020** can delay the split TS packet stream following the insertion of ISSY information to allow a TS packet recombining mechanism without requiring additional memory in the receiver.

The null packet deletion block **3030**, is used only for the TS input stream case. Some TS input streams or split TS streams may have a large number of null-packets present in order to accommodate VBR (variable bit-rate) services in a CBR TS stream. In this case, in order to avoid unnecessary transmission overhead, null-packets can be identified and not transmitted. In the receiver, removed null-packets can be re-inserted in the exact place where they were originally by reference to a deleted null-packet (DNP) counter that is inserted in the transmission, thus guaranteeing constant bit-rate and avoiding the need for time-stamp (PCR) updating.

The head compression block **3040** can provide packet header compression to increase transmission efficiency for TS or IP input streams. Because the receiver can have a priori information on certain parts of the header, this known information can be deleted in the transmitter.

For Transport Stream, the receiver has a-priori information about the sync-byte configuration (0x47) and the packet length (188 Byte). If the input TS stream carries content that has only one PID, i.e., for only one service component (video, audio, etc.) or service sub-component (SVC base layer, SVC enhancement layer, MVC base view or MVC dependent views), TS packet header compression can be applied (optionally) to the Transport Stream. IP packet header compression is used optionally if the input stream is an IP stream.

The above-described blocks may be omitted or replaced by blocks having similar or identical functions.

FIG. 4 illustrates an input formatting block according to another embodiment of the present invention.

The input formatting block illustrated in FIG. 4 corresponds to an embodiment of the input formatting block **1000** described with reference to FIG. 1.

FIG. 4 illustrates a stream adaptation block of the input formatting module when the input signal corresponds to multiple input streams.

Referring to FIG. 4, the mode adaptation block for respectively processing the multiple input streams can include a scheduler **4000**, an 1-Frame delay block **4010**, a stuffing insertion block **4020**, an in-band signaling **4030**, a BB Frame scrambler **4040**, a PLS generation block **4050** and a PLS scrambler **4060**. Description will be given of each block of the stream adaptation block.

Operations of the stuffing insertion block **4020**, the BB Frame scrambler **4040**, the PLS generation block **4050** and the PLS scrambler **4060** correspond to those of the stuffing insertion block, BB scrambler, PLS generation block and the PLS scrambler described with reference to FIG. 2 and thus description thereof is omitted.

The scheduler **4000** can determine the overall cell allocation across the entire frame from the amount of FEC-

BLOCKS of each DP. Including the allocation for PLS, EAC and FIC, the scheduler generate the values of PLS2-DYN data, which is transmitted as in-band signaling or PLS cell in FSS of the frame. Details of FECBLOCK, EAC and FIC will be described later.

The 1-Frame delay block **4010** can delay the input data by one transmission frame such that scheduling information about the next frame can be transmitted through the current frame for in-band signaling information to be inserted into the DPs.

The in-band signaling **4030** can insert un-delayed part of the PLS2 data into a DP of a frame.

The above-described blocks may be omitted or replaced by blocks having similar or identical functions.

FIG. 5, including (a) and (b), illustrates a BICM block according to an embodiment of the present invention.

The BICM block illustrated in FIG. 5 corresponds to an embodiment of the BICM block **1010** described with reference to FIG. 1.

As described above, the apparatus for transmitting broadcast signals for future broadcast services according to an embodiment of the present invention can provide a terrestrial broadcast service, mobile broadcast service, UHDTV service, etc.

Since QoS (quality of service) depends on characteristics of a service provided by the apparatus for transmitting broadcast signals for future broadcast services according to an embodiment of the present invention, data corresponding to respective services needs to be processed through different schemes. Accordingly, the a BICM block according to an embodiment of the present invention can independently process DPs input thereto by independently applying SISO, MISO and MIMO schemes to the data pipes respectively corresponding to data paths. Consequently, the apparatus for transmitting broadcast signals for future broadcast services according to an embodiment of the present invention can control QoS for each service or service component transmitted through each DP.

FIG. 5(a) shows the BICM block shared by the base profile and the handheld profile, and FIG. 5(b) shows the BICM block of the advanced profile.

The BICM block shared by the base profile and the handheld profile and the BICM block of the advanced profile can include plural processing blocks for processing each DP.

A description will be given of each processing block of the BICM block for the base profile and the handheld profile and the BICM block for the advanced profile.

A processing block **5000** of the BICM block for the base profile and the handheld profile can include a Data FEC encoder **5010**, a bit interleaver **5020**, a constellation mapper **5030**, an SSD (Signal Space Diversity) encoding block **5040** and a time interleaver **5050**.

The Data FEC encoder **5010** can perform the FEC encoding on the input BBF to generate FECBLOCK procedure using outer coding (BCH), and inner coding (LDPC). The outer coding (BCH) is optional coding method. Details of operations of the Data FEC encoder **5010** will be described later.

The bit interleaver **5020** can interleave outputs of the Data FEC encoder **5010** to achieve optimized performance with combination of the LDPC codes and modulation scheme while providing an efficiently implementable structure. Details of operations of the bit interleaver **5020** will be described later.

The constellation mapper **5030** can modulate each cell word from the bit interleaver **5020** in the base and the handheld profiles, or cell word from the Cell-word demul-

plexer **5010-1** in the advanced profile using either QPSK, QAM-16, non-uniform QAM (NUQ-64, NUQ-256, NUQ-1024) or non-uniform constellation (NUC-16, NUC-64, NUC-256, NUC-1024) to give a power-normalized constellation point, $e_{l,i}$. This constellation mapping is applied only for DPs. Observe that QAM-16 and NUQs are square shaped, while NUCs have arbitrary shape. When each constellation is rotated by any multiple of 90 degrees, the rotated constellation exactly overlaps with its original one. This "rotation-sense" symmetric property makes the capacities and the average powers of the real and imaginary components equal to each other. Both NUQs and NUCs are defined specifically for each code rate and the particular one used is signaled by the parameter DP_MOD filed in PLS2 data.

The SSD encoding block **5040** can precode cells in two (2D), three (3D), and four (4D) dimensions to increase the reception robustness under difficult fading conditions.

The time interleaver **5050** can operate at the DP level. The parameters of time interleaving (TI) may be set differently for each DP. Details of operations of the time interleaver **5050** will be described later.

A processing block **5000-1** of the BICM block for the advanced profile can include the Data FEC encoder, bit interleaver, constellation mapper, and time interleaver. However, the processing block **5000-1** is distinguished from the processing block **5000** further includes a cell-word demultiplexer **5010-1** and a MIMO encoding block **5020-1**.

Also, the operations of the Data FEC encoder, bit interleaver, constellation mapper, and time interleaver in the processing block **5000-1** correspond to those of the Data FEC encoder **5010**, bit interleaver **5020**, constellation mapper **5030**, and time interleaver **5050** described and thus description thereof is omitted.

The cell-word demultiplexer **5010-1** is used for the DP of the advanced profile to divide the single cell-word stream into dual cell-word streams for MIMO processing. Details of operations of the cell-word demultiplexer **5010-1** will be described later.

The MIMO encoding block **5020-1** can process the output of the cell-word demultiplexer **5010-1** using MIMO encoding scheme. The MIMO encoding scheme was optimized for broadcasting signal transmission. The MIMO technology is a promising way to get a capacity increase but it depends on channel characteristics. Especially for broadcasting, the strong LOS component of the channel or a difference in the received signal power between two antennas caused by different signal propagation characteristics makes it difficult to get capacity gain from MIMO. The proposed MIMO encoding scheme overcomes this problem using a rotation-based pre-coding and phase randomization of one of the MIMO output signals.

MIMO encoding is intended for a 2x2 MIMO system requiring at least two antennas at both the transmitter and the receiver. Two MIMO encoding modes are defined in this proposal; full-rate spatial multiplexing (FR-SM) and full-rate full-diversity spatial multiplexing (FRFD-SM). The FR-SM encoding provides capacity increase with relatively small complexity increase at the receiver side while the FRFD-SM encoding provides capacity increase and additional diversity gain with a great complexity increase at the receiver side. The proposed MIMO encoding scheme has no restriction on the antenna polarity configuration.

MIMO processing is required for the advanced profile frame, which means all DPs in the advanced profile frame are processed by the MIMO encoder. MIMO processing is applied at DP level. Pairs of the Constellation Mapper

outputs NUQ ($e_{1,i}$ and $e_{2,i}$) are fed to the input of the MIMO Encoder. Paired MIMO Encoder output ($g_{1,i}$ and $g_{2,i}$) is transmitted by the same carrier k and OFDM symbol 1 of their respective TX antennas.

The above-described blocks may be omitted or replaced by blocks having similar or identical functions.

FIG. 6 illustrates a BICM block according to another embodiment of the present invention.

The BICM block illustrated in FIG. 6 corresponds to an embodiment of the BICM block **1010** described with reference to FIG. 1.

FIG. 6 illustrates a BICM block for protection of physical layer signaling (PLS), emergency alert channel (EAC) and fast information channel (FIC). EAC is a part of a frame that carries EAS information data and FIC is a logical channel in a frame that carries the mapping information between a service and the corresponding base DP. Details of the EAC and FIC will be described later.

Referring to FIG. 6, the BICM block for protection of PLS, EAC and FIC can include a PLS FEC encoder **6000**, a bit interleaver **6010** and a constellation mapper **6020**.

Also, the PLS FEC encoder **6000** can include a scrambler, BCH encoding/zero insertion block, LDPC encoding block and LDPC parity puncturing block. Description will be given of each block of the BICM block.

The PLS FEC encoder **6000** can encode the scrambled PLS 1/2 data, EAC and FIC section.

The scrambler can scramble PLS 1 data and PLS2 data before BCH encoding and shortened and punctured LDPC encoding.

The BCH encoding/zero insertion block can perform outer encoding on the scrambled PLS 1/2 data using the shortened BCH code for PLS protection and insert zero bits after the BCH encoding. For PLS1 data only, the output bits of the zero insertion may be permuted before LDPC encoding.

The LDPC encoding block can encode the output of the BCH encoding/zero insertion block using LDPC code. To generate a complete coded block, C_{ldpc} , parity bits, P_{ldpc} are encoded systematically from each zero-inserted PLS information block, I_{ldpc} and appended after it.

$$C_{ldpc} = [I_{ldpc} \ P_{ldpc}] = [i_0, i_1, \dots, i_{K_{ldpc}-1}, p_0, p_1, \dots, p_{N_{ldpc}-K_{ldpc}-1}] \quad [\text{Math figure 1}]$$

The LDPC code parameters for PLS1 and PLS2 are as following table 4.

TABLE 4

Signaling Type	K_{sig}	K_{bch}	N_{bch_parity}	K_{ldpc} (= N_{bch})	N_{ldpc}	N_{ldpc_parity}	code rate	Q_{ldpc}
PLS1	342	1020	60	1080	4320	3240	1/4	36
PLS2	<1021	>1020	2100	2160	7200	5040	3/10	56

The LDPC parity puncturing block can perform puncturing on the PLS1 data and PLS 2 data.

When shortening is applied to the PLS1 data protection, some LDPC parity bits are punctured after LDPC encoding. Also, for the PLS2 data protection, the LDPC parity bits of PLS2 are punctured after LDPC encoding. These punctured bits are not transmitted.

The bit interleaver **6010** can interleave the each shortened and punctured PLS1 data and PLS2 data.

The constellation mapper **6020** can map the bit interleaved PLS1 data and PLS2 data onto constellations.

The above-described blocks may be omitted or replaced by blocks having similar or identical functions.

FIG. 7 illustrates a frame building block according to one embodiment of the present invention.

The frame building block illustrated in FIG. 7 corresponds to an embodiment of the frame building block 1020 described with reference to FIG. 1.

Referring to FIG. 7, the frame building block can include a delay compensation block 7000, a cell mapper 7010 and a frequency interleaver 7020. Description will be given of each block of the frame building block.

The delay compensation block 7000 can adjust the timing between the data pipes and the corresponding PLS data to ensure that they are co-timed at the transmitter end. The PLS data is delayed by the same amount as data pipes are by addressing the delays of data pipes caused by the Input Formatting block and BICM block. The delay of the BICM block is mainly due to the time interleaver 5050. In-band signaling data carries information of the next TI group so that they are carried one frame ahead of the DPs to be signaled. The Delay Compensating block delays in-band signaling data accordingly.

The cell mapper 7010 can map PLS, EAC, FIC, DPs, auxiliary streams and dummy cells into the active carriers of the OFDM symbols in the frame. The basic function of the cell mapper 7010 is to map data cells produced by the TIs for each of the DPs, PLS cells, and EAC/FIC cells, if any, into arrays of active OFDM cells corresponding to each of the OFDM symbols within a frame. Service signaling data (such as PSI (program specific information)/SI) can be separately gathered and sent by a data pipe. The Cell Mapper operates according to the dynamic information produced by the scheduler and the configuration of the frame structure. Details of the frame will be described later.

The frequency interleaver 7020 can randomly interleave data cells received from the cell mapper 7010 to provide frequency diversity. Also, the frequency interleaver 7020 can operate on very OFDM symbol pair comprised of two sequential OFDM symbols using a different interleaving-seed order to get maximum interleaving gain in a single frame.

The above-described blocks may be omitted or replaced by blocks having similar or identical functions.

FIG. 8 illustrates an OFDM generation block according to an embodiment of the present invention.

The OFDM generation block illustrated in FIG. 8 corresponds to an embodiment of the OFDM generation block 1030 described with reference to FIG. 1.

The OFDM generation block modulates the OFDM carriers by the cells produced by the Frame Building block, inserts the pilots, and produces the time domain signal for transmission. Also, this block subsequently inserts guard intervals, and applies PAPR (Peak-to-Average Power Ratio) reduction processing to produce the final RF signal.

Referring to FIG. 8, the OFDM generation block can include a pilot and reserved tone insertion block 8000, a 2D-eSFN encoding block 8010, an IFFT (Inverse Fast Fourier Transform) block 8020, a PAPR reduction block 8030, a guard interval insertion block 8040, a preamble insertion block 8050, other system insertion block 8060 and a DAC block 8070. Description will be given of each block of the frame building block.

The pilot and reserved tone insertion block 8000 can insert pilots and the reserved tone.

Various cells within the OFDM symbol are modulated with reference information, known as pilots, which have transmitted values known a priori in the receiver. The

information of pilot cells is made up of scattered pilots, continual pilots, edge pilots, FSS (frame signaling symbol) pilots and FES (frame edge symbol) pilots. Each pilot is transmitted at a particular boosted power level according to pilot type and pilot pattern. The value of the pilot information is derived from a reference sequence, which is a series of values, one for each transmitted carrier on any given symbol. The pilots can be used for frame synchronization, frequency synchronization, time synchronization, channel estimation, and transmission mode identification, and also can be used to follow the phase noise.

Reference information, taken from the reference sequence, is transmitted in scattered pilot cells in every symbol except the preamble, FSS and FES of the frame. Continual pilots are inserted in every symbol of the frame. The number and location of continual pilots depends on both the FFT size and the scattered pilot pattern. The edge carriers are edge pilots in every symbol except for the preamble symbol. They are inserted in order to allow frequency interpolation up to the edge of the spectrum. FSS pilots are inserted in FSS(s) and FES pilots are inserted in FES. They are inserted in order to allow time interpolation up to the edge of the frame.

The system according to an embodiment of the present invention supports the SFN network, where distributed MISO scheme is optionally used to support very robust transmission mode. The 2D-eSFN is a distributed MISO scheme that uses multiple TX antennas, each of which is located in the different transmitter site in the SFN network.

The 2D-eSFN encoding block 8010 can process a 2D-eSFN processing to distorts the phase of the signals transmitted from multiple transmitters, in order to create both time and frequency diversity in the SFN configuration. Hence, burst errors due to low flat fading or deep-fading for a long time can be mitigated.

The IFFT block 8020 can modulate the output from the 2D-eSFN encoding block 8010 using OFDM modulation scheme. Any cell in the data symbols which has not been designated as a pilot (or as a reserved tone) carries one of the data cells from the frequency interleaver. The cells are mapped to OFDM carriers.

The PAPR reduction block 8030 can perform a PAPR reduction on input signal using various PAPR reduction algorithms in the time domain.

The guard interval insertion block 8040 can insert guard intervals and the preamble insertion block 8050 can insert preamble in front of the signal. Details of a structure of the preamble will be described later. The other system insertion block 8060 can multiplex signals of a plurality of broadcast transmission/reception systems in the time domain such that data of two or more different broadcast transmission/reception systems providing broadcast services can be simultaneously transmitted in the same RF signal bandwidth. In this case, the two or more different broadcast transmission/reception systems refer to systems providing different broadcast services. The different broadcast services may refer to a terrestrial broadcast service, mobile broadcast service, etc. Data related to respective broadcast services can be transmitted through different frames.

The DAC block 8070 can convert an input digital signal into an analog signal and output the analog signal. The signal output from the DAC block 8070 can be transmitted through multiple output antennas according to the physical layer profiles. A Tx antenna according to an embodiment of the present invention can have vertical or horizontal polarity.

The above-described blocks may be omitted or replaced by blocks having similar or identical functions according to design.

FIG. 9 illustrates a structure of an apparatus for receiving broadcast signals for future broadcast services according to an embodiment of the present invention.

The apparatus for receiving broadcast signals for future broadcast services according to an embodiment of the present invention can correspond to the apparatus for transmitting broadcast signals for future broadcast services, described with reference to FIG. 1.

The apparatus for receiving broadcast signals for future broadcast services according to an embodiment of the present invention can include a synchronization & demodulation module 9000, a frame parsing module 9010, a demapping & decoding module 9020, an output processor 9030 and a signaling decoding module 9040. A description will be given of operation of each module of the apparatus for receiving broadcast signals.

The synchronization & demodulation module 9000 can receive input signals through m Rx antennas, perform signal detection and synchronization with respect to a system corresponding to the apparatus for receiving broadcast signals and carry out demodulation corresponding to a reverse procedure of the procedure performed by the apparatus for transmitting broadcast signals.

The frame parsing module 9010 can parse input signal frames and extract data through which a service selected by a user is transmitted. If the apparatus for transmitting broadcast signals performs interleaving, the frame parsing module 9010 can carry out deinterleaving corresponding to a reverse procedure of interleaving. In this case, the positions of a signal and data that need to be extracted can be obtained by decoding data output from the signaling decoding module 9040 to restore scheduling information generated by the apparatus for transmitting broadcast signals.

The demapping & decoding module 9020 can convert the input signals into bit domain data and then deinterleave the same as necessary. The demapping & decoding module 9020 can perform demapping for mapping applied for transmission efficiency and correct an error generated on a transmission channel through decoding. In this case, the demapping & decoding module 9020 can obtain transmission parameters necessary for demapping and decoding by decoding the data output from the signaling decoding module 9040.

The output processor 9030 can perform reverse procedures of various compression/signal processing procedures which are applied by the apparatus for transmitting broadcast signals to improve transmission efficiency. In this case, the output processor 9030 can acquire necessary control information from data output from the signaling decoding module 9040. The output of the output processor 8300 corresponds to a signal input to the apparatus for transmitting broadcast signals and may be MPEG-TSs, IP streams (v4 or v6) and generic streams.

The signaling decoding module 9040 can obtain PLS information from the signal demodulated by the synchronization & demodulation module 9000. As described above, the frame parsing module 9010, demapping & decoding module 9020 and output processor 9030 can execute functions thereof using the data output from the signaling decoding module 9040.

FIG. 10, including (a)-(d), illustrates a frame structure according to an embodiment of the present invention.

FIG. 10 shows an example configuration of the frame types and FRUs in a super-frame. FIG. 10(a) shows a super frame according to an embodiment of the present invention,

FIG. 10(b) shows FRU (Frame Repetition Unit) according to an embodiment of the present invention, FIG. 10(c) shows frames of variable PHY profiles in the FRU, and FIG. 10(d) shows a structure of a frame.

A super-frame may be composed of eight FRUs. The FRU is a basic multiplexing unit for TDM of the frames, and is repeated eight times in a super-frame.

Each frame in the FRU belongs to one of the PHY profiles, (base, handheld, advanced) or 1-BF. The maximum allowed number of the frames in the FRU is four and a given PHY profile can appear any number of times from zero times to four times in the FRU (e.g., base, base, handheld, advanced). PHY profile definitions can be extended using reserved values of the PHY_PROFILE in the preamble, if required.

The FEF part is inserted at the end of the FRU, if included. When the FEF is included in the FRU, the minimum number of FEFs is 8 in a super-frame. It is not recommended that FBF parts be adjacent to each other.

One frame is further divided into a number of OFDM symbols and a preamble. As shown in (d), the frame comprises a preamble, one or more frame signaling symbols (FSS), normal data symbols and a frame edge symbol (FES).

The preamble is a special symbol that enables fast Future-cast UTB system signal detection and provides a set of basic transmission parameters for efficient transmission and reception of the signal. The detailed description of the preamble will be described later.

The main purpose of the FSS(s) is to carry the PLS data. For fast synchronization and channel estimation, and hence fast decoding of PLS data, the FSS has more dense pilot pattern than the normal data symbol. The FES has exactly the same pilots as the FSS, which enables frequency-only interpolation within the FES and temporal interpolation, without extrapolation, for symbols immediately preceding the FES.

FIG. 11 illustrates a signaling hierarchy structure of the frame according to an embodiment of the present invention.

FIG. 11 illustrates the signaling hierarchy structure, which is split into three main parts: the preamble signaling data 11000, the PLS1 data 11010 and the PLS2 data 11020. The purpose of the preamble, which is carried by the preamble symbol in every frame, is to indicate the transmission type and basic transmission parameters of that frame. The PLS1 enables the receiver to access and decode the PLS2 data, which contains the parameters to access the DP of interest. The PLS2 is carried in every frame and split into two main parts: PLS2-STAT data and PLS2-DYN data. The static and dynamic portion of PLS2 data is followed by padding, if necessary.

FIG. 12 illustrates preamble signaling data according to an embodiment of the present invention.

Preamble signaling data carries 21 bits of information that are needed to enable the receiver to access PLS data and trace DPs within the frame structure. Details of the preamble signaling data are as follows:

PHY_PROFILE: This 3-bit field indicates the PHY profile type of the current frame. The mapping of different PHY profile types is given in below table 5.

TABLE 5

Value	PHY profile
000	Base profile
001	Handheld profile
010	Advanced profiled

19

TABLE 5-continued

Value	PHY profile
011~110	Reserved
111	FEF

FFT_SIZE: This 2 bit field indicates the FFT size of the current frame within a frame-group, as described in below table 6.

TABLE 6

Value	FFT size
00	8K FFT
01	16K FFT
10	32K FFT
11	Reserved

GI_FRACTION: This 3 bit field indicates the guard interval fraction value in the current super-frame, as described in below table 7.

TABLE 7

Value	GI_FRACTION
000	$\frac{1}{5}$
001	$\frac{1}{10}$
010	$\frac{1}{20}$
011	$\frac{1}{40}$
100	$\frac{1}{80}$
101	$\frac{1}{160}$
110~111	Reserved

EAC_FLAG: This 1 bit field indicates whether the EAC is provided in the current frame. If this field is set to '1', emergency alert service (EAS) is provided in the current frame. If this field set to '0', EAS is not carried in the current frame. This field can be switched dynamically within a super-frame.

PILOT_MODE: This 1-bit field indicates whether the pilot mode is mobile mode or fixed mode for the current frame in the current frame-group. If this field is set to '0', mobile pilot mode is used. If the field is set to '1', the fixed pilot mode is used.

20

PAPR_FLAG: This 1-bit field indicates whether PAPR reduction is used for the current frame in the current frame-group. If this field is set to value '1', tone reservation is used for PAPR reduction. If this field is set to '0', PAPR reduction is not used.

FRU_CONFIGURE: This 3-bit field indicates the PHY profile type configurations of the frame repetition units (FRU) that are present in the current super-frame. All profile types conveyed in the current super-frame are identified in this field in all preambles in the current super-frame. The 3-bit field has a different definition for each profile, as show in below table 8.

TABLE 8

	Current PHY_ PROFILE = '000' (base)	Current PHY_ PROFILE = '001' (handheld)	Current PHY_ PROFILE = '010' (advanced)	Current PHY_PROFILE = '111' (FEF)
FRU_CONFIGURE = 000	Only base profile present	Only handheld profile present	Only advanced profile present	Only FEF present
FRU_CONFIGURE = 1XX	Handheld profile present	Base profile present	Base profile present	Base profile present
FRU_CONFIGURE = X1X	Advanced profile present	Advanced profile present	Handheld profile present	Handheld profile present
FRU_CONFIGURE = XX1	FEF present	FEF present	FEF present	Advanced profile present

RESERVED: This 7-bit field is reserved for future use.

FIG. 13 illustrates PLS1 data according to an embodiment of the present invention.

PLS1 data provides basic transmission parameters including parameters required to enable the reception and decoding of the PLS2. As above mentioned, the PLS1 data remain unchanged for the entire duration of one frame-group. The detailed definition of the signaling fields of the PLS1 data are as follows:

PREAMBLE_DATA: This 20-bit field is a copy of the preamble signaling data excluding the EAC_FLAG.

NUM_FRAME_FRU: This 2-bit field indicates the number of the frames per FRU.

PAYLOAD_TYPE: This 3-bit field indicates the format of the payload data carried in the frame-group. PAYLOAD_TYPE is signaled as shown in table 9.

TABLE 9

value	Payload type
1XX	TS stream is transmitted
X1X	IP stream is transmitted
XX1	GS stream is transmitted

NUM_FSS: This 2-bit field indicates the number of FSS symbols in the current frame.

SYSTEM_VERSION: This 8-bit field indicates the version of the transmitted signal format. The SYSTEM_VERSION is divided into two 4-bit fields, which are a major version and a minor version.

Major version: The MSB four bits of SYSTEM_VERSION field indicate major version information. A change in the major version field indicates a non-backward-compatible change. The default value is '0000'. For the version described in this standard, the value is set to '0000'.

21

Minor version: The LSB four bits of SYSTEM_VERSION field indicate minor version information. A change in the minor version field is backward-compatible.

CELL_ID: This is a 16-bit field which uniquely identifies a geographic cell in an ATSC network. An ATSC cell coverage area may consist of one or more frequencies, depending on the number of frequencies used per Futurecast UTB system. If the value of the CELL_ID is not known or unspecified, this field is set to '0'.

NETWORK_ID: This is a 16-bit field which uniquely identifies the current ATSC network.

SYSTEM_ID: This 16-bit field uniquely identifies the Futurecast UTB system within the ATSC network. The Futurecast UTB system is the terrestrial broadcast system whose input is one or more input streams (TS, IP, GS) and whose output is an RF signal. The Futurecast UTB system carries one or more PHY profiles and FEF, if any. The same Futurecast UTB system may carry different input streams and use different RF frequencies in different geographical areas, allowing local service insertion. The frame structure and scheduling are controlled in one place and is identical for all transmissions within a Futurecast UTB system. One or more Futurecast UTB systems may have the same SYSTEM_ID meaning that they all have the same physical layer structure and configuration.

The following loop consists of FRU_PHY_PROFILE, FRU_FRAME_LENGTH, FRU_GI_FRACTION, and RESERVED which are used to indicate the FRU configuration and the length of each frame type. The loop size is fixed so that four PHY profiles (including a FEF) are signaled within the FRU. If NUM_FRAME_FRU is less than 4, the unused fields are filled with zeros.

FRU_PHY_PROFILE: This 3-bit field indicates the PHY profile type of the (i+1)th (i is the loop index) frame of the associated FRU. This field uses the same signaling format as shown in the table 8.

FRU_FRAME_LENGTH: This 2-bit field indicates the length of the (i+1)th frame of the associated FRU. Using FRU_FRAME_LENGTH together with FRU_GI_FRACTION, the exact value of the frame duration can be obtained.

FRU_GI_FRACTION: This 3-bit field indicates the guard interval fraction value of the (i+1)th frame of the associated FRU. FRU_GI_FRACTION is signaled according to the table 7.

RESERVED: This 4-bit field is reserved for future use.

The following fields provide parameters for decoding the PLS2 data.

PLS2_FEC_TYPE: This 2-bit field indicates the FEC type used by the PLS2 protection. The FEC type is signaled according to table 10. The details of the LDPC codes will be described later.

TABLE 10

Content	PLS2 FEC type
00	4K-1/4 and 7K-3/10 LDPC codes
01~11	Reserved

PLS2_MOD: This 3-bit field indicates the modulation type used by the PLS2. The modulation type is signaled according to table 11.

TABLE 11

Value	PLS2_MODE
000	BPSK
001	QPSK

22

TABLE 11-continued

Value	PLS2_MODE
010	QAM-16
011	NUQ-64
100~111	Reserved

PLS2_SIZE_CELL: This 15-bit field indicates Ctotal_partial_block, the size (specified as the number of QAM cells) of the collection of full coded blocks for PLS2 that is carried in the current frame-group. This value is constant during the entire duration of the current frame-group.

PLS2_STAT_SIZE_BIT: This 14-bit field indicates the size, in bits, of the PLS2-STAT for the current frame-group. This value is constant during the entire duration of the current frame-group.

PLS2_DYN_SIZE_BIT: This 14-bit field indicates the size, in bits, of the PLS2-DYN for the current frame-group. This value is constant during the entire duration of the current frame-group.

PLS2_REP_FLAG: This 1-bit flag indicates whether the PLS2 repetition mode is used in the current frame-group. When this field is set to value '1', the PLS2 repetition mode is activated. When this field is set to value '0', the PLS2 repetition mode is deactivated.

PLS2_REP_SIZE_CELL: This 15-bit field indicates Ctotal_partial_block, the size (specified as the number of QAM cells) of the collection of partial coded blocks for PLS2 carried in every frame of the current frame-group, when PLS2 repetition is used. If repetition is not used, the value of this field is equal to 0. This value is constant during the entire duration of the current frame-group.

PLS2_NEXT_FEC_TYPE: This 2-bit field indicates the FEC type used for PLS2 that is carried in every frame of the next frame-group. The FEC type is signaled according to the table 10.

PLS2_NEXT_MOD: This 3-bit field indicates the modulation type used for PLS2 that is carried in every frame of the next frame-group. The modulation type is signaled according to the table 11.

PLS2_NEXT_REP_FLAG: This 1-bit flag indicates whether the PLS2 repetition mode is used in the next frame-group. When this field is set to value '1', the PLS2 repetition mode is activated. When this field is set to value '0', the PLS2 repetition mode is deactivated.

PLS2_NEXT_REP_SIZE_CELL: This 15-bit field indicates Ctotal_full_block, the size (specified as the number of QAM cells) of the collection of full coded blocks for PLS2 that is carried in every frame of the next frame-group, when PLS2 repetition is used. If repetition is not used in the next frame-group, the value of this field is equal to 0. This value is constant during the entire duration of the current frame-group.

PLS2_NEXT_REP_STAT_SIZE_BIT: This 14-bit field indicates the size, in bits, of the PLS2-STAT for the next frame-group. This value is constant in the current frame-group.

PLS2_NEXT_REP_DYN_SIZE_BIT: This 14-bit field indicates the size, in bits, of the PLS2-DYN for the next frame-group. This value is constant in the current frame-group.

PLS2_AP_MODE: This 2-bit field indicates whether additional parity is provided for PLS2 in the current frame-group. This value is constant during the entire duration of the current frame-group. The below table 12 gives the values of

23

this field. When this field is set to '00', additional parity is not used for the PLS2 in the current frame-group.

TABLE 12

Value	PLS2-AP mode
00	AP is not provided
01	AP1 mode
10~11	Reserved

PLS2_AP_SIZE_CELL: This 15-bit field indicates the size (specified as the number of QAM cells) of the additional parity bits of the PLS2. This value is constant during the entire duration of the current frame-group.

PLS2_NEXT_AP_MODE: This 2-bit field indicates whether additional parity is provided for PLS2 signaling in every frame of next frame-group. This value is constant during the entire duration of the current frame-group. The table 12 defines the values of this field

PLS2_NEXT_AP_SIZE_CELL: This 15-bit field indicates the size (specified as the number of QAM cells) of the additional parity bits of the PLS2 in every frame of the next frame-group. This value is constant during the entire duration of the current frame-group.

RESERVED: This 32-bit field is reserved for future use.

CRC_32: A 32-bit error detection code, which is applied to the entire PLS1 signaling.

FIG. 14 illustrates PLS2 data according to an embodiment of the present invention.

FIG. 14 illustrates PLS2-STAT data of the PLS2 data. The PLS2-STAT data are the same within a frame-group, while the PLS2-DYN data provide information that is specific for the current frame.

The details of fields of the PLS2-STAT data are as follows:

FIC_FLAG: This 1-bit field indicates whether the FIC is used in the current frame-group. If this field is set to '1', the FIC is provided in the current frame. If this field set to '0', the FIC is not carried in the current frame. This value is constant during the entire duration of the current frame-group.

AUX_FLAG: This 1-bit field indicates whether the auxiliary stream(s) is used in the current frame-group. If this field is set to '1', the auxiliary stream is provided in the current frame. If this field set to '0', the auxiliary stream is not carried in the current frame. This value is constant during the entire duration of current frame-group.

NUM_DP: This 6-bit field indicates the number of DPs carried within the current frame. The value of this field ranges from 1 to 64, and the number of DPs is NUM_DP+1.

DP_ID: This 6-bit field identifies uniquely a DP within a PHY profile.

DP_TYPE: This 3-bit field indicates the type of the DP. This is signaled according to the below table 13.

TABLE 13

Value	DP Type
000	DP Type 1
001	DP Type 2
010~111	reserved

DP_GROUP_ID: This 8-bit field identifies the DP group with which the current DP is associated. This can be used by a receiver to access the DPs of the service components associated with a particular service, which will have the same DP_GROUP_ID.

24

BASE_DP_ID: This 6-bit field indicates the DP carrying service signaling data (such as PSI/SI) used in the Management layer. The DP indicated by BASE_DP_ID may be either a normal DP carrying the service signaling data along with the service data or a dedicated DP carrying only the service signaling data

DP_FEC_TYPE: This 2-bit field indicates the FEC type used by the associated DP. The FEC type is signaled according to the below table 14.

TABLE 14

Value	FEC_TYPE
00	16K LDPC
01	64K LDPC
10~11	Reserved

DP_COD: This 4-bit field indicates the code rate used by the associated DP. The code rate is signaled according to the below table 15.

TABLE 15

Value	Code rate
0000	5/15
0001	6/15
0010	7/15
0011	8/15
0100	9/15
0101	10/15
0110	11/15
0111	12/15
1000	13/15
1001~1111	Reserved

DP_MOD: This 4-bit field indicates the modulation used by the associated DP. The modulation is signaled according to the below table 16.

TABLE 16

Value	Modulation
0000	QPSK
0001	QAM-16
0010	NUQ-64
0011	NUQ-256
0100	NUQ-1024
0101	NUC-16
0110	NUC-64
0111	NUC-256
1000	NUC-1024
1001~1111	reserved

DP_SSD_FLAG: This 1-bit field indicates whether the SSD mode is used in the associated DP. If this field is set to value '1', SSD is used. If this field is set to value '0', SSD is not used.

The following field appears only if PHY_PROFILE is equal to '010', which indicates the advanced profile:

DP_MIMO: This 3-bit field indicates which type of MIMO encoding process is applied to the associated DP. The type of MIMO encoding process is signaled according to the table 17.

TABLE 17

Value	MIMO encoding
000	FR-SM
001	FRFD-SM
010~111	reserved

25

DP_TI_TYPE: This 1-bit field indicates the type of time-interleaving. A value of '0' indicates that one TI group corresponds to one frame and contains one or more TI-blocks. A value of '1' indicates that one TI group is carried in more than one frame and contains only one TI-block.

DP_TI_LENGTH: The use of this 2-bit field (the allowed values are only 1, 2, 4, 8) is determined by the values set within the DP_TI_TYPE field as follows:

If the DP_TI_TYPE is set to the value '1', this field indicates PI, the number of the frames to which each TI group is mapped, and there is one TI-block per TI group (NTI=1). The allowed PI values with 2-bit field are defined in the below table 18.

If the DP_TI_TYPE is set to the value '0', this field indicates the number of TI-blocks NTI per TI group, and there is one TI group per frame (PI=1). The allowed PI values with 2-bit field are defined in the below table 18.

TABLE 18

2-bit field	P_I	N_{TI}
00	1	1
01	2	2
10	4	3
11	8	4

DP_FRAME_INTERVAL: This 2-bit field indicates the frame interval (HUMP) within the frame-group for the associated DP and the allowed values are 1, 2, 4, 8 (the corresponding 2-bit field is '00', '01', '10', or '11', respectively). For DPs that do not appear every frame of the frame-group, the value of this field is equal to the interval between successive frames. For example, if a DP appears on the frames 1, 5, 9, 13, etc., this field is set to '4'. For DPs that appear in every frame, this field is set to '1'.

DP_TI_BYPASS: This 1-bit field determines the availability of time interleaver 5050. If time interleaving is not used for a DP, it is set to '1'. Whereas if time interleaving is used it is set to '0'.

DP_FIRST_FRAME_IDX: This 5-bit field indicates the index of the first frame of the super-frame in which the current DP occurs. The value of DP_FIRST_FRAME_IDX ranges from 0 to 31

DP_NUM_BLOCK_MAX: This 10-bit field indicates the maximum value of DP_NUM_BLOCKS for this DP. The value of this field has the same range as DP_NUM_BLOCKS.

DP_PAYLOAD_TYPE: This 2-bit field indicates the type of the payload data carried by the given DP. DP_PAYLOAD_TYPE is signaled according to the below table 19.

TABLE 19

Value	Payload Type
00	TS.
01	IP
10	GS
11	reserved

DP_INBAND_MODE: This 2-bit field indicates whether the current DP carries in-band signaling information. The in-band signaling type is signaled according to the below table 20.

26

TABLE 20

Value	In-band mode
00	In-band signaling is not carried.
01	INBAND-PLS is carried only
10	INBAND-ISSY is carried only
11	INBAND-PLS and INBAND-ISSY are carried

DP_PROTOCOL_TYPE: This 2-bit field indicates the protocol type of the payload carried by the given DP. It is signaled according to the below table 21 when input payload types are selected.

TABLE 21

Value	If DP_PAYLOAD_TYPE Is TS	If DP_PAYLOAD_TYPE Is IP	If DP_PAYLOAD_TYPE Is GS
00	MPEG2-TS	IPv4	(Note)
01	Reserved	IPv6	Reserved
10	Reserved	Reserved	Reserved
11	Reserved	Reserved	Reserved

DP_CRC_MODE: This 2-bit field indicates whether CRC encoding is used in the Input Formatting block. The CRC mode is signaled according to the below table 22.

TABLE 22

Value	CRC mode
00	Not used
01	CRC-8
10	CRC-16
11	CRC-32

DNP_MODE: This 2-bit field indicates the null-packet deletion mode used by the associated DP when DP_PAYLOAD_TYPE is set to TS ('00'). DNP_MODE is signaled according to the below table 23. If DP_PAYLOAD_TYPE is not TS ('00'), DNP_MODE is set to the value '00'.

TABLE 23

Value	Null-packet deletion mode
00	Not used
01	DNP-NORMAL
10	DNP-OFFSET
11	reserved

ISSY_MODE: This 2-bit field indicates the ISSY mode used by the associated DP when DP_PAYLOAD_TYPE is set to TS ('00'). The ISSY_MODE is signaled according to the below table 24 If DP_PAYLOAD_TYPE is not TS ('00'), ISSY_MODE is set to the value '00'.

TABLE 24

Value	ISSY mode
00	Not used
01	ISSY-UP
10	ISSY-BBF
11	reserved

HC_MODE_TS: This 2-bit field indicates the TS header compression mode used by the associated DP when DP_PAYLOAD_TYPE is set to TS ('00'). The HC_MODE_TS is signaled according to the below table 25.

27

TABLE 25

Value	Header compression mode
00	HC_MODE_TS 1
01	HC_MODE_TS 2
10	HC_MODE_TS 3
11	HC_MODE_TS 4

HC_MODE_IP: This 2-bit field indicates the IP header compression mode when DP_PAYLOAD_TYPE is set to IP ('01'). The HC_MODE_IP is signaled according to the below table 26.

TABLE 26

Value	Header compression mode
00	No compression
01	HC_MODE_IP 1
10~41	reserved

PID: This 13-bit field indicates the PID number for TS header compression when DP_PAYLOAD_TYPE is set to TS ('00') and HC_MODE_TS is set to '01' or '10'.

RESERVED: This 8-bit field is reserved for future use.

The following field appears only if FIC_FLAG is equal to '1':

FIC_VERSION: This 8-bit field indicates the version number of the FIC.

FIC_LENGTH_BYTE: This 13-bit field indicates the length, in bytes, of the FIC.

RESERVED: This 8-bit field is reserved for future use.

The following field appears only if AUX_FLAG is equal to '1':

NUM_AUX: This 4-bit field indicates the number of auxiliary streams. Zero means no auxiliary streams are used.

AUX_CONFIG_RFU: This 8-bit field is reserved for future use.

AUX_STREAM_TYPE: This 4-bit is reserved for future use for indicating the type of the current auxiliary stream.

AUX_PRIVATE_CONFIG: This 28-bit field is reserved for future use for signaling auxiliary streams.

FIG. 15 illustrates PLS2 data according to another embodiment of the present invention.

FIG. 15 illustrates PLS2-DYN data of the PLS2 data. The values of the PLS2-DYN data may change during the duration of one frame-group, while the size of fields remains constant.

The details of fields of the PLS2-DYN data are as follows:

FRAME_INDEX: This 5-bit field indicates the frame index of the current frame within the super-frame. The index of the first frame of the super-frame is set to '0'.

PLS_CHANGE_COUNTER: This 4-bit field indicates the number of super-frames ahead where the configuration will change. The next super-frame with changes in the configuration is indicated by the value signaled within this field. If this field is set to the value '0000', it means that no scheduled change is foreseen: e.g., value '1' indicates that there is a change in the next super-frame.

FIC_CHANGE_COUNTER: This 4-bit field indicates the number of super-frames ahead where the configuration (i.e., the contents of the FIC) will change. The next super-frame with changes in the configuration is indicated by the value signaled within this field. If this field is set to the value '0000', it means that no scheduled change is foreseen: e.g., value '0001' indicates that there is a change in the next super-frame.

28

RESERVED: This 16-bit field is reserved for future use.

The following fields appear in the loop over NUM_DP, which describe the parameters associated with the DP carried in the current frame.

DP_ID: This 6-bit field indicates uniquely the DP within a PHY profile.

DP_START: This 15-bit (or 13-bit) field indicates the start position of the first of the DPs using the DPU addressing scheme. The DP_START field has differing length according to the PHY profile and FFT size as shown in the below table 27.

TABLE 27

PHY profile	DP_START field size	
	64K	16K
Base	13 bit	15 bit
Handheld	—	13 bit
Advanced	13 bit	15 bit

DP_NUM_BLOCK: This 10-bit field indicates the number of FEC blocks in the current TI group for the current DP. The value of DP_NUM_BLOCK ranges from 0 to 1023

RESERVED: This 8-bit field is reserved for future use.

The following fields indicate the FIC parameters associated with the EAC.

EAC_FLAG: This 1-bit field indicates the existence of the EAC in the current frame. This bit is the same value as the EAC_FLAG in the preamble.

EAS_WAKE_UP_VERSION_NUM: This 8-bit field indicates the version number of a wake-up indication.

If the EAC_FLAG field is equal to '1', the following 12 bits are allocated for EAC_LENGTH_BYTE field. If the EAC_FLAG field is equal to '0', the following 12 bits are allocated for EAC_COUNTER.

EAC_LENGTH_BYTE: This 12-bit field indicates the length, in byte, of the EAC.

EAC_COUNTER: This 12-bit field indicates the number of the frames before the frame where the EAC arrives.

The following field appears only if the AUX_FLAG field is equal to '1':

AUX_PRIVATE_DYN: This 48-bit field is reserved for future use for signaling auxiliary streams. The meaning of this field depends on the value of AUX_STREAM_TYPE in the configurable PLS2-STAT.

CRC_32: A 32-bit error detection code, which is applied to the entire PLS2.

FIG. 16 illustrates a logical structure of a frame according to an embodiment of the present invention.

As above mentioned, the PLS, EAC, FIC, DPs, auxiliary streams and dummy cells are mapped into the active carriers of the OFDM symbols in the frame. The PLS1 and PLS2 are first mapped into one or more FSS(s). After that, EAC cells, if any, are mapped immediately following the PLS field, followed next by FIC cells, if any. The DPs are mapped next after the PLS or EAC, FIC, if any. Type 1 DPs follows first, and Type 2 DPs next. The details of a type of the DP will be described later. In some case, DPs may carry some special data for EAS or service signaling data. The auxiliary stream or streams, if any, follow the DPs, which in turn are followed by dummy cells. Mapping them all together in the above mentioned order, i.e. PLS, EAC, FIC, DPs, auxiliary streams and dummy data cells exactly fill the cell capacity in the frame.

FIG. 17 illustrates PLS mapping according to an embodiment of the present invention.

PLS cells are mapped to the active carriers of FSS(s). Depending on the number of cells occupied by PLS, one or more symbols are designated as FSS(s), and the number of FSS(s) NFSS is signaled by NUM_FSS in PLS1. The FSS is a special symbol for carrying PLS cells. Since robustness and latency are critical issues in the PLS, the FSS(s) has higher density of pilots allowing fast synchronization and frequency-only interpolation within the FSS.

PLS cells are mapped to active carriers of the NFSS FSS(s) in a top-down manner as shown in an example in FIG. 17. The PLS1 cells are mapped first from the first cell of the first FSS in an increasing order of the cell index. The PLS2 cells follow immediately after the last cell of the PLS1 and mapping continues downward until the last cell index of the first FSS. If the total number of required PLS cells exceeds the number of active carriers of one FSS, mapping proceeds to the next FSS and continues in exactly the same manner as the first FSS.

After PLS mapping is completed, DPs are carried next. If EAC, FIC or both are present in the current frame, they are placed between PLS and “normal” DPs.

FIG. 18 illustrates EAC mapping according to an embodiment of the present invention.

EAC is a dedicated channel for carrying EAS messages and links to the DPs for EAS. EAS support is provided but EAC itself may or may not be present in every frame. EAC, if any, is mapped immediately after the PLS2 cells. EAC is not preceded by any of the FIC, DPs, auxiliary streams or dummy cells other than the PLS cells. The procedure of mapping the EAC cells is exactly the same as that of the PLS.

The EAC cells are mapped from the next cell of the PLS2 in increasing order of the cell index as shown in the example in FIG. 18. Depending on the EAS message size, EAC cells may occupy a few symbols, as shown in FIG. 18.

EAC cells follow immediately after the last cell of the PLS2, and mapping continues downward until the last cell index of the last FSS. If the total number of required EAC cells exceeds the number of remaining active carriers of the last FSS mapping proceeds to the next symbol and continues in exactly the same manner as FSS(s). The next symbol for mapping in this case is the normal data symbol, which has more active carriers than a FSS.

After EAC mapping is completed, the FIC is carried next, if any exists. If FIC is not transmitted (as signaled in the PLS2 field), DPs follow immediately after the last cell of the EAC.

FIG. 19, including (a) and (b), illustrates FIC mapping according to an embodiment of the present invention.

FIG. 19(a) shows an example mapping of FIC cell without EAC, and FIG. 19(b) shows an example mapping of FIC cell with EAC.

FIC is a dedicated channel for carrying cross-layer information to enable fast service acquisition and channel scanning. This information primarily includes channel binding information between DPs and the services of each broadcaster. For fast scan, a receiver can decode FIC and obtain information such as broadcaster ID, number of services, and BASE_DP_ID. For fast service acquisition, in addition to FIC, base DP can be decoded using BASE_DP_ID. Other than the content it carries, a base DP is encoded and mapped to a frame in exactly the same way as a normal DP. Therefore, no additional description is required for a base DP. The FIC data is generated and consumed in the Management Layer. The content of FIC data is as described in the Management Layer specification.

The FIC data is optional and the use of FIC is signaled by the FIC_FLAG parameter in the static part of the PLS2. If FIC is used, FIC_FLAG is set to ‘1’ and the signaling field for FIC is defined in the static part of PLS2. Signaled in this field are FIC_VERSION, and FIC_LENGTH_BYTE. FIC uses the same modulation, coding and time interleaving parameters as PLS2. FIC shares the same signaling parameters such as PLS2_MOD and PLS2_FEC. FIC data, if any, is mapped immediately after PLS2 or EAC if any. FIC is not preceded by any normal DPs, auxiliary streams or dummy cells. The method of mapping FIC cells is exactly the same as that of EAC which is again the same as PLS.

Without EAC after PLS, FIC cells are mapped from the next cell of the PLS2 in an increasing order of the cell index as shown in an example in (a). Depending on the FIC data size, FIC cells may be mapped over a few symbols, as shown in (b).

FIC cells follow immediately after the last cell of the PLS2, and mapping continues downward until the last cell index of the last FSS. If the total number of required FIC cells exceeds the number of remaining active carriers of the last FSS, mapping proceeds to the next symbol and continues in exactly the same manner as FSS(s). The next symbol for mapping in this case is the normal data symbol which has more active carriers than a FSS.

If EAS messages are transmitted in the current frame, EAC precedes FIC, and FIC cells are mapped from the next cell of the EAC in an increasing order of the cell index as shown in (b).

After FIC mapping is completed, one or more DPs are mapped, followed by auxiliary streams, if any, and dummy cells.

FIG. 20, including (a) and (b), illustrates a type of DP according to an embodiment of the present invention.

FIG. 20(a) shows type 1 DP, and FIG. 20(b) shows type 2 DP.

After the preceding channels, i.e., PLS, EAC and FIC, are mapped, cells of the DPs are mapped. A DP is categorized into one of two types according to mapping method:

Type 1 DP: DP is mapped by TDM

Type 2 DP: DP is mapped by FDM

The type of DP is indicated by DP_TYPE field in the static part of PLS2. FIG. 20 illustrates the mapping orders of Type 1 DPs and Type 2 DPs. Type 1 DPs are first mapped in the increasing order of cell index, and then after reaching the last cell index, the symbol index is increased by one. Within the next symbol, the DP continues to be mapped in the increasing order of cell index starting from p=0. With a number of DPs mapped together in one frame, each of the Type 1 DPs are grouped in time, similar to TDM multiplexing of DPs.

Type 2 DPs are first mapped in the increasing order of symbol index, and then after reaching the last OFDM symbol of the frame, the cell index increases by one and the symbol index rolls back to the first available symbol and then increases from that symbol index. After mapping a number of DPs together in one frame, each of the Type 2 DPs are grouped in frequency together, similar to FDM multiplexing of DPs.

Type 1 DPs and Type 2 DPs can coexist in a frame if needed with one restriction; Type 1 DPs always precede Type 2 DPs. The total number of OFDM cells carrying Type 1 and Type 2 DPs cannot exceed the total number of OFDM cells available for transmission of DPs:

$$D_{DP1} + D_{DP2} \leq D_{DP}$$

[Expression 2]

where DDP1 is the number of OFDM cells occupied by Type 1 DPs, DDP2 is the number of cells occupied by Type 2 DPs. Since PLS, EAC, FIC are all mapped in the same way as Type 1 DP, they all follow “Type 1 mapping rule”. Hence, overall, Type 1 mapping always precedes Type 2 mapping.

FIG. 21, including (a) and (b), illustrates DP mapping according to an embodiment of the present invention.

FIG. 21(a) shows an addressing of OFDM cells for mapping type 1 DPs and FIG. 21(b) shows an addressing of OFDM cells for mapping for type 2 DPs.

Addressing of OFDM cells for mapping Type 1 DPs (0, . . . , DDP1-1) is defined for the active data cells of Type 1 DPs. The addressing scheme defines the order in which the cells from the TIs for each of the Type 1 DPs are allocated to the active data cells. It is also used to signal the locations of the DPs in the dynamic part of the PLS2.

Without EAC and FIC, address 0 refers to the cell immediately following the last cell carrying PLS in the last FSS. If EAC is transmitted and FIC is not in the corresponding frame, address 0 refers to the cell immediately following the last cell carrying EAC. If FIC is transmitted in the corresponding frame, address 0 refers to the cell immediately following the last cell carrying FIC. Address 0 for Type 1 DPs can be calculated considering two different cases as shown in (a). In the example in (a), PLS, EAC and FIC are assumed to be all transmitted. Extension to the cases where either or both of EAC and FIC are omitted is straightforward. If there are remaining cells in the FSS after mapping all the cells up to FIC as shown on the left side of (a).

Addressing of OFDM cells for mapping Type 2 DPs (0, . . . , DDP2-1) is defined for the active data cells of Type 2 DPs. The addressing scheme defines the order in which the cells from the TIs for each of the Type 2 DPs are allocated to the active data cells. It is also used to signal the locations of the DPs in the dynamic part of the PLS2.

Three slightly different cases are possible as shown in (b). For the first case shown on the left side of (b), cells in the last FSS are available for Type 2 DP mapping. For the second case shown in the middle, FIC occupies cells of a normal symbol, but the number of FIC cells on that symbol is not larger than CFSS. The third case, shown on the right side in (b), is the same as the second case except that the number of FIC cells mapped on that symbol exceeds CFSS.

The extension to the case where Type 1 DP(s) precede Type 2 DP(s) is straightforward since PLS, EAC and FIC follow the same “Type 1 mapping rule” as the Type 1 DP(s).

A data pipe unit (DPU) is a basic unit for allocating data cells to a DP in a frame.

A DPU is defined as a signaling unit for locating DPs in a frame. A Cell Mapper 7010 may map the cells produced by the TIs for each of the DPs. A Time interleaver 5050 outputs a series of TI-blocks and each TI-block comprises a variable number of XFECBLOCKs which is in turn composed of a set of cells. The number of cells in an XFECBLOCK, Ncells, is dependent on the FECBLOCK size, Nldpc, and the number of transmitted bits per constellation symbol. A DPU is defined as the greatest common divisor of all possible values of the number of cells in a XFECBLOCK, Ncells, supported in a given PHY profile. The length of a DPU in cells is defined as LDPU. Since each PHY profile supports different combinations of FECBLOCK size and a different number of bits per constellation symbol, LDPU is defined on a PHY profile basis.

FIG. 22 illustrates an FEC structure according to an embodiment of the present invention.

FIG. 22 illustrates an FEC structure according to an embodiment of the present invention before bit interleaving.

As above mentioned, Data FEC encoder may perform the FEC encoding on the input BBF to generate FECBLOCK procedure using outer coding (BCH), and inner coding (LDPC). The illustrated FEC structure corresponds to the FECBLOCK. Also, the FECBLOCK and the FEC structure have same value corresponding to a length of LDPC code-word.

The BCH encoding is applied to each BBF (Kbch bits), and then LDPC encoding is applied to BCH-encoded BBF (Kldpc bits=Nbch bits) as illustrated in FIG. 22.

The value of Nldpc is either 64800 bits (long FECBLOCK) or 16200 bits (short FECBLOCK).

The below table 28 and table 29 show FEC encoding parameters for a long FECBLOCK and a short FECBLOCK, respectively.

TABLE 28

LDPC Rate	N _{ldpc}	K _{ldpc}	K _{bch}	BCH error correction capability	N _{bch} -K _{bch}
5/15	64800	21600	21408	12	192
6/15		25920	25728		
7/15		30240	30048		
8/15		34560	34368		
9/15		38880	38688		
10/15		43200	43008		
11/15		47520	47328		
12/15		51840	51648		
13/15		56160	55968		

TABLE 29

LDPC Rate	N _{ldpc}	K _{ldpc}	K _{bch}	BCH error correction capability	N _{bch} -K _{bch}
5/15	16200	5400	5232	12	168
6/15		6480	6312		
7/15		7560	7392		
8/15		8640	8472		
9/15		9720	9552		
10/15		10800	10632		
11/15		11880	11712		
12/15		12960	12792		
13/15		14040	13872		

The details of operations of the BCH encoding and LDPC encoding are as follows:

A 12-error correcting BCH code is used for outer encoding of the BBF. The BCH generator polynomial for short FECBLOCK and long FECBLOCK are obtained by multiplying together all polynomials.

LDPC code is used to encode the output of the outer BCH encoding. To generate a completed Bldpc (FECBLOCK), Pldpc (parity bits) is encoded systematically from each Ildpc (BCH-encoded BBF), and appended to Ildpc. The completed Bldpc (FECBLOCK) is expressed as follows.

$$B_{ldpc} = [I_{ldpc} \ P_{ldpc}] = [i_0, i_1, \dots, i_{K_{ldpc}-1}, p_0, p_1, \dots, p_{N_{ldpc}-K_{ldpc}-1}] \quad \text{[Expression 3]}$$

The parameters for long FECBLOCK and short FECBLOCK are given in the above table 28 and 29, respectively.

The detailed procedure to calculate Nldpc-Kldpc parity bits for long FECBLOCK, is as follows:

- 1) Initialize the parity bits,

$$p_0 = p_1 = p_2 = \dots = p_{N_{ldpc}-K_{ldpc}-1} = 0 \quad \text{[Expression 4]}$$

33

2) Accumulate the first information bit— i_0 , at parity bit addresses specified in the first row of addresses of parity check matrix. The details of addresses of parity check matrix will be described later. For example, for rate 13/15:

$$\begin{aligned} P_{983} &= P_{983} \oplus i_0 & P_{2815} &= P_{2815} \oplus i_0 & P_{4837} &= P_{4837} \oplus i_0 \\ P_{4989} &= P_{4989} \oplus i_0 & P_{6138} &= P_{6138} \oplus i_0 & P_{6458} &= P_{6458} \oplus i_0 \\ P_{6921} &= P_{6921} \oplus i_0 & P_{6974} &= P_{6974} \oplus i_0 & P_{7572} &= P_{7572} \oplus i_0 \\ P_{8260} &= P_{8260} \oplus i_0 & P_{8496} &= P_{8496} \oplus i_0 & & \end{aligned} \quad [\text{Expression 5}]$$

3) For the next 359 information bits, i_s , $s=1, 2, \dots, 359$ accumulate i_s at parity bit addresses using following expression.

$$\{x + (s \bmod 360) \times Q_{ldpc}\} \bmod (N_{ldpc} - K_{ldpc}) \quad [\text{Expression 6}]$$

where x denotes the address of the parity bit accumulator corresponding to the first bit i_0 , and Q_{ldpc} is a code rate dependent constant specified in the addresses of parity check matrix. Continuing with the example, $Q_{ldpc}=24$ for rate 13/15, so for information bit i_1 , the following operations are performed:

$$\begin{aligned} P_{1007} &= P_{1007} \oplus i_1 & P_{2839} &= P_{2839} \oplus i_1 & P_{4861} &= P_{4861} \oplus i_1 \\ P_{5013} &= P_{5013} \oplus i_1 & P_{6162} &= P_{6162} \oplus i_1 & P_{6482} &= P_{6482} \oplus i_1 \\ P_{6945} &= P_{6945} \oplus i_1 & P_{6998} &= P_{6998} \oplus i_1 & P_{7596} &= P_{7596} \oplus i_1 \\ P_{8284} &= P_{8284} \oplus i_1 & P_{8520} &= P_{8520} \oplus i_1 & & \end{aligned} \quad [\text{Expression 7}]$$

4) For the 361st information bit i_{360} , the addresses of the parity bit accumulators are given in the second row of the addresses of parity check matrix. In a similar manner the addresses of the parity bit accumulators for the following 359 information bits i_s , $s=361, 362, \dots, 719$ are obtained using the expression 6, where x denotes the address of the parity bit accumulator corresponding to the information bit i_{360} , i.e., the entries in the second row of the addresses of parity check matrix.

5) In a similar manner, for every group of 360 new information bits, a new row from addresses of parity check matrixes used to find the addresses of the parity bit accumulators.

After all of the information bits are exhausted, the final parity bits are obtained as follows:

6) Sequentially perform the following operations starting with $i=1$

$$p_i = p_i \oplus p_{i-1}, i=1, 2, \dots, N_{ldpc} - K_{ldpc} - 1 \quad [\text{Math Figure 8}]$$

where final content of p_i , $i=0, 1, \dots, N_{ldpc} - K_{ldpc} - 1$ is equal to the parity bit p_i .

TABLE 30

Code Rate	Q_{ldpc}
5/15	120
6/15	108
7/15	96
8/15	84
9/15	72
10/15	60
11/15	48
12/15	36
13/15	24

This LDPC encoding procedure for a short FECBLOCK is in accordance with t LDPC encoding procedure for the long FECBLOCK, except replacing the table 30 with table 31, and replacing the addresses of parity check matrix for the long FECBLOCK with the addresses of parity check matrix for the short FECBLOCK.

34

TABLE 31

Code Rate	Q_{ldpc}
5/15	30
6/15	27
7/15	24
8/15	21
9/15	18
10/15	15
11/15	12
12/15	9
13/15	6

FIG. 23 illustrates a bit interleaving according to an embodiment of the present invention.

The outputs of the LDPC encoder are bit-interleaved, which consists of parity interleaving followed by Quasi-Cyclic Block (QCB) interleaving and inner-group interleaving.

It shows Quasi-Cyclic Block (QCB) interleaving and (b) shows inner-group interleaving.

The FECBLOCK may be parity interleaved. At the output of the parity interleaving, the LDPC codeword consists of 180 adjacent QC blocks in a long FECBLOCK and 45 adjacent QC blocks in a short FECBLOCK. Each QC block in either a long or short FECBLOCK consists of 360 bits. The parity interleaved LDPC codeword is interleaved by QCB interleaving. The unit of QCB interleaving is a QC block. The QC blocks at the output of parity interleaving are permuted by QCB interleaving as illustrated in FIG. 23, where $N_{cells} = 64800/\eta \bmod$ or $16200/\eta \bmod$ according to the FECBLOCK length. The QCB interleaving pattern is unique to each combination of modulation type and LDPC code rate.

After QCB interleaving, inner-group interleaving is performed according to modulation type and order ($\eta \bmod$) which is defined in the below table 32. The number of QC blocks for one inner-group, N_{QCB_IG} , is also defined.

TABLE 32

Modulation type	η_{mod}	N_{QCB_IG}
QAM-16	4	2
NUC-16	4	4
NUQ-64	6	3
NUC-64	6	6
NUQ-256	8	4
NUC-256	8	8
NUQ-1024	10	5
NUC-1024	10	10

The inner-group interleaving process is performed with N_{QCB_IG} QC blocks of the QCB interleaving output. Inner-group interleaving has a process of writing and reading the bits of the inner-group using 360 columns and N_{QCB_IG} rows. In the write operation, the bits from the QCB interleaving output are written row-wise. The read operation is performed column-wise to read out m bits from each row, where m is equal to 1 for NUC and 2 for NUQ.

FIG. 24, including (a) and (b), illustrates a cell-word demultiplexing according to an embodiment of the present invention.

FIG. 24(a) shows a cell-word demultiplexing for 8 and 12 bpcu MIMO, and FIG. 24(b) shows a cell-word demultiplexing for 10 bpcu MIMO.

Each cell word ($c_{0,1}, c_{1,1}, \dots, c_{\eta \bmod - 1, 1}$) of the bit interleaving output is demultiplexed into ($d_{1,0,m}, d_{1,1,m}, \dots, d_{1,\eta \bmod - 1,m}$) and ($d_{2,0,m}, d_{2,1,m}, \dots, d_{2,\eta \bmod - 1,m}$)

as shown in (a), which describes the cell-word demultiplexing process for one XFECBLOCK.

For the 10 bpcu MIMO case using different types of NUQ for MIMO encoding, the Bit Interleaver for NUQ-1024 is re-used. Each cell word (c0,1, c1,1, . . . , c9,1) of the Bit Interleaver output is demultiplexed into (d1,0,m, d1,1, m . . . , d1,3,m) and (d2,0,m, d2,1,m . . . , d2,5,m), as shown in (b).

FIG. 25, including (a)-(c), illustrates a time interleaving according to an embodiment of the present invention.

FIG. 25(a) to FIG. 25(c) show examples of TI mode.

The time interleaver operates at the DP level. The parameters of time interleaving (TI) may be set differently for each DP.

The following parameters, which appear in part of the PLS2-STAT data, configure the TI:

DP_TI_TYPE (allowed values: 0 or 1): Represents the TI mode; '0' indicates the mode with multiple TI blocks (more than one TI block) per TI group. In this case, one TI group is directly mapped to one frame (no inter-frame interleaving). '1' indicates the mode with only one TI block per TI group. In this case, the TI block may be spread over more than one frame (inter-frame interleaving).

DP_TI_LENGTH: If DP_TI_TYPE='0', this parameter is the number of TI blocks NTI per TI group. For DP_TI_TYPE='1', this parameter is the number of frames PI spread from one TI group.

DP_NUM_BLOCK_MAX (allowed values: 0 to 1023): Represents the maximum number of XFECBLOCKs per TI group.

DP_FRAME_INTERVAL (allowed values: 1, 2, 4, 8): Represents the number of the frames HUMP between two successive frames carrying the same DP of a given PHY profile.

DP_TI_BYPASS (allowed values: 0 or 1): If time interleaving is not used for a DP, this parameter is set to '1'. It is set to '0' if time interleaving is used.

Additionally, the parameter DP_NUM_BLOCK from the PLS2-DYN data is used to represent the number of XFECBLOCKs carried by one TI group of the DP.

When time interleaving is not used for a DP, the following TI group, time interleaving operation, and TI mode are not considered. However, the Delay Compensation block for the dynamic configuration information from the scheduler will still be required. In each DP, the XFECBLOCKs received from the SSD/MIMO encoding are grouped into TI groups. That is, each TI group is a set of an integer number of XFECBLOCKs and will contain a dynamically variable number of XFECBLOCKs. The number of XFECBLOCKs in the TI group of index n is denoted by NxBLOCK_Group(n) and is signaled as DP_NUM_BLOCK in the PLS2-DYN data. Note that NxBLOCK_Group(n) may vary from the minimum value of 0 to the maximum value NxBLOCK_Group_MAX (corresponding to DP_NUM_BLOCK_MAX) of which the largest value is 1023.

Each TI group is either mapped directly onto one frame or spread over PI frames. Each TI group is also divided into more than one TI blocks(NTI), where each TI block corresponds to one usage of time interleaver memory. The TI blocks within the TI group may contain slightly different numbers of XFECBLOCKs. If the TI group is divided into multiple TI blocks, it is directly mapped to only one frame. There are three options for time interleaving (except the extra option of skipping the time interleaving) as shown in the below table 33.

TABLE 33

Modes	Descriptions
Option-1	Each TI group contains one TI block and is mapped directly to one frame as shown in (a). This option is signaled in the PLS2-STAT by DP_TI_TYPE = '0' and DP_TI_LENGTH = '1' (N _{TI} = 1).
Option-2	Each TI group contains one TI block and is mapped to more than one frame. (b) shows an example, where one TI group is mapped to two frames, i.e., DP_TI_LENGTH = '2' (P _I = 2) and DP_FRAME_INTERVAL (I _{HUMP} = 2). This provides greater time diversity for low data-rate services. This option is signaled in the PLS2-STAT by DP_TI_TYPE = '1'.
Option-3	Each TI group is divided into multiple TI blocks and is mapped directly to one frame as shown in (c). Each TI block may use full TI memory, so as to provide the maximum bit-rate for a DP. This option is signaled in the PLS2-STAT signaling by DP_TI_TYPE = '0' and DP_TI_LENGTH = N _{TI} , while P _I = 1.

In each DP, the TI memory stores the input XFECBLOCKs (output XFECBLOCKs from the SSD/MIMO encoding block). Assume that input XFECBLOCKs are defined as

$$(d_{n,s,0,0}, d_{n,s,0,1}, \dots, d_{n,s,0,N_{cells}-1}, d_{n,s,1,0}, \dots, d_{n,s,1,N_{cells}-1}, \dots, d_{n,s,N_{xBLOCK_TI}(n,s)-1,0}, \dots, d_{n,s,N_{xBLOCK_TI}(n,s)-1,N_{cells}-1}),$$

where $d_{n,s,r,q}$ is the qth cell of the rth XFECBLOCK in the sth TI block of the nth TI group and represents the outputs of SSD and MIMO encodings as follows

$$d_{n,s,r,q} = \begin{cases} f_{n,s,r,q}, & \text{the output of SSD ... encoding} \\ g_{n,s,r,q}, & \text{the output of MIMO ... encoding} \end{cases}$$

In addition, assume that output XFECBLOCKs from the time interleaver 5050 are defined as

$$(h_{n,s,0}, h_{n,s,1}, \dots, h_{n,s,i}, \dots, h_{n,s,N_{xBLOCK_TI}(n,s) \times N_{cells}-1}),$$

where $h_{n,s,i}$ is the ith output cell (for $i=0, \dots, N_{xBLOCK_TI}(n,s) \times N_{cells}-1$) in the sth TI block of the nth TI group.

Typically, the time interleaver will also act as a buffer for DP data prior to the process of frame building. This is achieved by means of two memory banks for each DP. The first TI-block is written to the first bank. The second TI-block is written to the second bank while the first bank is being read from and so on.

The TI is a twisted row-column block interleaver. For the sth TI block of the nth TI group, the number of rows N_r of a TI memory is equal to the number of cells N_{cells} , i.e., $N_r = N_{cells}$ while the number of columns N_c is equal to the number $N_{xBLOCK_TI}(n,s)$.

FIG. 26, including (a) and (b), illustrates the basic operation of a twisted row-column block interleaver according to an embodiment of the present invention.

FIG. 26(a) shows a writing operation in the time interleaver and FIG. 26(b) shows a reading operation in the time interleaver. The first XFECBLOCK is written column-wise into the first column of the TI memory, and the second XFECBLOCK is written into the next column, and so on as shown in FIG. 26(a). Then, in the interleaving array, cells are read out diagonal-wise. During diagonal-wise reading from the first row (rightwards along the row beginning with the left-most column) to the last row, N_r cells are read out as shown in (b). In detail, assuming $z_{n,s,i}$ ($i=0, \dots, N_r N_c$) as the TI memory cell position to be read sequentially, the reading process in such an interleaving array is performed by

calculating the row index $R_{n,s,i}$, the column index $C_{n,s,i}$, and the associated twisting parameter $T_{n,s,i}$ as follows expression.

GENERATE($R_{n,s,i}$, $C_{n,s,i}$) = [Expression 9]

$$\left\{ \begin{array}{l} R_{n,s,i} = \text{mod}(i, N_r), \\ T_{n,s,i} = \text{mod}(S_{\text{shift}} \times R_{n,s,i}, N_c), \\ C_{n,s,i} = \text{mod}\left(T_{n,s,i} + \left\lfloor \frac{i}{N_r} \right\rfloor, N_c\right) \end{array} \right\}$$

where S_{shift} is a common shift value for the diagonal-wise reading process regardless of $N_{x\text{BLOCK_TI}}(n,s)$, and it is determined by $N_{x\text{BLOCK_TI_MAX}}$ given in the PLS2-STAT as follows expression.

$$\text{for } \begin{cases} N'_{x\text{BLOCK_TI_MAX}} = N_{x\text{BLOCK_TI_MAX}} + 1, & \text{if } N_{x\text{BLOCK_TI_MAX}} \bmod 2 = 0 \\ N'_{x\text{BLOCK_TI_MAX}} = N_{x\text{BLOCK_TI_MAX}} & \text{if } N_{x\text{BLOCK_TI_MAX}} \bmod 2 = 1 \end{cases} \quad [\text{Expression 10}]$$

$$S_{\text{shift}} = \frac{N'_{x\text{BLOCK_TI_MAX}} - 1}{2}$$

As a result, the cell positions to be read are calculated by a coordinate as $Z_{n,s,i} = N_r C_{n,s,i} + R_{n,s,i}$.

FIG. 27 illustrates an operation of a twisted row-column block interleaver according to another embodiment of the present invention.

More specifically, FIG. 27 illustrates the interleaving array in the TI memory for each TI group, including virtual XFECBLOCKs when $N_{x\text{BLOCK_TI}}(0,0)=3$, $N_{x\text{BLOCK_TI}}(1,0)=6$, $N_{x\text{BLOCK_TI}}(2,0)=5$.

The variable number $N_{x\text{BLOCK_TI}}(n,s)=N_r$ will be less than or equal to $N'_{x\text{BLOCK_TI_MAX}}$. Thus, in order to achieve a single-memory deinterleaving at the receiver side, regardless of $N_{x\text{BLOCK_TI}}(n,s)$, the interleaving array for use in a twisted row-column block interleaver is set to the size of $N_r \times N_c = N_{\text{cells}} \times N_{x\text{BLOCK_TI_MAX}}$ by inserting the virtual XFECBLOCKs into the TI memory and the reading process is accomplished as follow expression.

(Expression 11)

$$\begin{array}{l} p = 0; \\ \text{for } i = 0; i < N_{\text{cells}} N'_{x\text{BLOCK_TI_MAX}}; i = i + 1 \\ \{ \text{GENERATE}(R_{n,s,i}, C_{n,s,i}); \\ V_i = N_r C_{n,s,i} + R_{n,s,i} \\ \text{if } V_i < N_{\text{cells}} N_{x\text{BLOCK_TI}}(n,s) \\ \{ \\ Z_{n,s,p} = V_i; p = p + 1; \\ \} \\ \} \end{array}$$

The number of TI groups is set to 3. The option of time interleaver is signaled in the PLS2-STAT data by DP_TI_TYPE='0', DP_FRAME_INTERVAL='1', and DP_TI_LENGTH='1', i.e., NTI=1, IJUMP=1, and PI=1. The number of XFECBLOCKs, each of which has Ncells=30 cells, per TI group is signaled in the PLS2-DYN data by $N_{x\text{BLOCK_TI}}(0,0)=3$, $N_{x\text{BLOCK_TI}}(1,0)=6$, and $N_{x\text{BLOCK_TI}}(2,0)=5$, respectively. The maximum number

of XFECBLOCK is signaled in the PLS2-STAT data by $N_{x\text{BLOCK_Group_MAX}}$, which leads to $\lfloor N_{x\text{BLOCK_Group_MAX}} / N_{\text{TI}} \rfloor = N_{x\text{BLOCK_TI_MAX}} = 6$.

FIG. 28 illustrates a diagonal-wise reading pattern of a twisted row-column block interleaver according to an embodiment of the present invention.

More specifically FIG. 28 shows a diagonal-wise reading pattern from each interleaving array with parameters of $N'_{x\text{BLOCK_TI_MAX}}=7$ and $S_{\text{shift}}=(7-1)/2=3$. Note that in the reading process shown as pseudocode above, if $V_i \geq N_{\text{cells}} N_{x\text{BLOCK_TI}}(n,s)$, the value of V_i is skipped and the next calculated value of V_i is used.

FIG. 29 illustrates interleaved XFECBLOCKs from each interleaving array according to an embodiment of the present invention.

FIG. 29 illustrates the interleaved XFECBLOCKs from each interleaving array with parameters of $N'_{x\text{BLOCK_TI_MAX}}=7$ and $S_{\text{shift}}=3$.

The frequency interleaving process according to one embodiment of the present invention will hereinafter be described.

The frequency interleaver 7020 according to one embodiment is configured to apply different interleaving sequences to respective cells corresponding to each OFDM symbol so as to improve the frequency diversity performance in the OFDM symbol structure composed of a plurality of cells.

In the present invention, the above-mentioned frequency interleaving method may be referred to as 'random frequency interleaving' or 'random FI', and may also be changed according to designer's intention.

The above-mentioned broadcast signal transmission apparatus or the frequency interleaver 7020 contained in the broadcast signal transmission apparatus may apply different interleaving sequences either to constituent symbols (i.e., respective symbols) of at least one frame or to respective cells corresponding to two paired symbols, and may perform frequency interleaving, thereby obtaining the frequency diversity.

The at least one symbol may be converted into at least one OFDM symbols in a subsequent modulation process. That is, the at least one symbol may be converted into each OFDM symbol or two paired OFDM symbols (i.e., pair-wise OFDM symbol or each OFDM symbol pair).

The frequency interleaver according to one embodiment may perform frequency interleaving of cells corresponding to OFDM symbols entered using the frequency interleaving address generated on the basis of the main interleaving sequence (or basic interleaving sequence) and the symbol offset.

Hereinafter, a description will be given of MIMO processing (or a MIMO encoding method or decoding method) according to an embodiment of the present invention.

A next generation broadcast system according to an embodiment of the present invention may use a MIMO scheme to deliver more data. In particular, the next generation broadcast system according to the present embodiment may overcome a correlated channel environment in which channel capacity is decreased and system operation is disturbed using dual-polar MIMO in which a signal is trans-

mitted using a vertical/horizontal polarity of an antenna. However, even when dual-polar MIMO is used, two components may have different power ratios according to difference in radio wave propagation characteristic of a vertical/horizontal polarity. In other words, a power imbalance state may occur. In this state, power is different between a signal output from an antenna of a horizontal polarity and a signal output from an antenna of a vertical polarity. To overcome this power imbalance environment, the MIMO scheme according to the present embodiment may include a PH-eSM scheme (PH-eSM PI) that requires less complexity of a receiver, a full-rate full-diversity (FRFD) scheme (FRFD PH-eSM PI) that can exhibit higher performance even though a design of the receiver is complex, and a scheme created by combining each of the above schemes with a non-uniform constellation (NUC). The PH-eSM scheme refers to a scheme of rotating angles of signals input to a MIMO decoder to overcome complexity of the receiver and power imbalance. The FRFD scheme is a scheme of acquiring additional diversity gain in the frequency domain by adding additional complexity.

When MIMO is combined with an NUC, the NUC uses a grid value optimized for each SNR (or code rate of FEC or combination of modulation and code rate (MODCOD)). Thus, when MIMO encoding is performed, a transmitting end needs to use a parameter "a" of MIMO encoding having an optimized value for each SNR.

Hereinafter, a scheme will be proposed to optimize the MIMO parameter "a" according to SNR or MODCOD in a MIMO system to which an NUC (1D-NUC or 2D-NUC) is applied. In addition, a description will be given of a method of reducing complexity of the receiver using a decoder suitable for an NUC (for example, a sphere decoder (SD) and a complex-sphere decoder).

FIG. 30, including (a) and (b), shows equations that express a matrix according to the MIMO scheme according to an embodiment of the present invention.

Specifically, FIG. 30(a) is an equation that expresses the PH-eSM scheme or a MIMO matrix according to the PH-eSM scheme, and FIG. 30(b) is an equation that expresses the FRFD scheme or a MIMO matrix according to the FRFD scheme.

As described in the foregoing, the PH-eSM scheme is a scheme that reduces complexity according to MIMO decoding. A MIMO processor may generate signals X_1 and X_2 to be transmitted using two transmitted symbols (input symbols or a symbol pair) output from a constellation mapper, for example, QAM symbols S_1 and S_2 . In an OFDM transmission/reception system, the signals X_1 and X_2 may be transmitted on the same frequency carrier f_1 ($X_1(f_1)$, $X_2(f_1)$). Here, the signal X_1 may be transmitted through an antenna 1 (TX1), and the signal X_2 may be transmitted through an antenna 2 (TX2). According to this scheme, even when power imbalance is present between two transmit antennas, it is possible to implement efficient signal transmission that minimizes loss.

In a left part of the figure, a value X refers to an output of MIMO processing of a transmitter, S refers to an input signal, and P refers to a MIMO matrix. P may be referred to as a precoding matrix.

The precoding matrix may include a rotation matrix for combining constellations of input symbols by rotating angles of the input symbols, and a phase-hopping matrix for configuring phase rotation of symbols transmitted through the antenna 2 (TX2).

"a" in the rotation matrix may be referred to as a MIMO parameter. When input symbols correspond to QAM sym-

bols, a value thereof may be determined according to QAM order. When the receiver receives the signals X_1 and X_2 and independently decodes the signals X_1 and X_2 , that is, when the receiver decodes the symbols S_1 and S_2 only using the signal X_1 or decodes the symbols S_1 and S_2 only using the signal X_2 , a value of "a" is optimized based on Euclidean distance and Hamming distance. Thus, the receiver may obtain low bit error rate (BER) performance. The receiver according to the present embodiment may perform ML and sub-ML (sphere) decoding, etc. using the matrix shown in the figure to perform a reverse operation of MIMO processing at a transmitting side.

A parameter θ of the phase-hopping matrix indicates a phase rotation angle, and a value thereof is determined according to the equation shown in the figure.

The FRFD scheme is a scheme of obtaining high performance by performing more complex decoding in the receiver.

As illustrated in the figure, the MIMO processor on the transmitting side may receive four input symbols S_1 , S_2 , S_3 , and S_4 and output transmitted signals X_1 and X_2 using the matrix shown in the figure. In this case, the same value as a parameter according to the PH-eSM scheme may be used as the MIMO parameter a.

In addition, in the FRFD scheme, the output signals X_1 and X_2 may be transmitted on two frequency carriers f_1 and f_2 ($X_1(f_1)$, $X_2(f_1)$, $X_1(f_2)$, $X_2(f_2)$). Therefore, the signal X_1 is transmitted through two frequency carriers of the antenna 1 (TX1), and the signal X_2 is transmitted through two frequency carriers of the antenna 2 (TX2). Thus, this scheme has an advantage of effectively coping with a case in which power imbalance occurs between carriers in addition to power imbalance between antennas.

FIG. 31, including (a) and (b), shows the MIMO parameter "a" when an NUC is applied according to an embodiment of the present invention.

The above-described MIMO parameter "a" may have a different value according to uniform QAM and 1D-NUC modulation value of an input symbol.

FIG. 31(a) shows examples of a value of the MIMO parameter "a" according to QAM combinations, and FIG. 31(b) shows a process of determining the value of the MIMO parameter "a" according to 1D-NUC modulation and the value a according to each modulation combination.

As shown in FIG. 31(a), the value of the MIMO parameter "a" may be set according to QAM combinations, that is, QPSK, 16 QAM, 64 QAM, and 256 QAM.

In addition, as shown in FIG. 31(b), in a 1D-NUC modulation combination, the value of the MIMO parameter "a" may be calculated by defining a PAM grid of a used I or Q component and using a largest value (P_m) and a second largest value (P_{m-1}) of the grid. Therefore, the receiver may separately decode a signal received through one antenna by applying the value a.

Further, as shown in the figure, the value a may be calculated using a sub-constellation separation factor b. The factor b refers to a parameter for adjusting an interval between sub-constellations present in a MIMO-processed signal. In an example of the present invention, the factor b has a value of

$$\frac{\sqrt{2}}{2}$$

The value b refers to a value obtained by adjusting a Euclidean distance and a Hamming distance based on a point having largest power and an adjacent point thereof in constellations.

However, in 1D-NUC, a grid value optimized for each code rate of 1-EC or SNR is used, and thus the MIMO parameter “ a ” needs to have an optimized value for each SNR.

Therefore, the present invention proposes a method of calculating a value of the MIMO parameter “ a ” optimized for each SNR. To apply an NUC to the above-described two MIMO schemes for each SNR (or FEC code rate), the following two factors need to be considered.

First, an NUC, which is most suitable for MIMO, needs to be found to obtain shaping gain. Second, a value of the MIMO parameter “ a ” needs to be calculated in an NUC optimized for each SNR.

However, when an NUC suitable for each SNR and the MIMO parameter “ a ” are simultaneously calculated through capacity analysis of BICM in a MIMO environment, the calculation may be restricted due to operation quantity. Therefore, the present invention proposes the following process.

First, an NUC suitable for MIMO is determined by comparing performances of NUCs optimized for SISO on a non-power imbalanced MIMO channel for each SNR (or FEC code rate). When a BICM capacity can be analyzed on a MIMO channel, it is possible to obtain an optimized NUC for MIMO which provides a maximum capacity at a certain SNR by analyzing capacities according to SNRs.

However, when operation quantity is too large to perform actual calculation, an NUC for MIMO may be determined by comparing performances using an optimized NUC set (NUC for each SNR) in SISO. For example, an NUC for MIMO at a code rate of 5/15 of 12 bpcu (1D-64NUC+1D-64NUC) may be determined to be 1D-64NUC corresponding to an SISO code rate of 5/15.

Thereafter, a MIMO parameter “ a ” optimized for each SNR may be calculated by analyzing capacities in a power imbalanced MIMO channel environment based on an NUC determined through the above-described process.

FIG. 32, including (a) and (b), shows an equation that expresses a MIMO scheme in consideration of power imbalance and a correlated channel environment and an equation that expresses a capacity of BICM according to an embodiment of the present invention.

Specifically, FIG. 32(a) shows an equation that expresses a MIMO scheme in consideration of power imbalance and a correlated channel environment, and FIG. 32(b) shows an equation that expresses a capacity of BICM.

As shown in FIG. 32(a), according to an embodiment of the present invention, a power imbalance (PI) factor α and an active white Gaussian noise (AWGN) value are applied to the above-described MIMO matrix in order to consider a correlated channel environment and a power imbalance channel environment which can be generated when the MIMO scheme is used. The factor α according to the present embodiment may have values as below according to magnitudes of PI.

PI 9 dB: 0.354817, PI 6 dB: 0.501187, PI 3 dB: 0.70711

In addition, as shown in FIG. 32(b), a BICM capacity may be determined on the assumption of AWGN and individually identically distributed (IID) input.

In other words, an algorithm for obtaining a value of the parameter a proposed in the present invention is as below.

First step: An initial NUC of an SNR or a MIMO FEC code rate (CR) having optimum performance is obtained by

comparing BER performance using an NUC corresponding to an FEC code rate (5/15, 6/15, 7/15, . . . , 13/15) of SISO. For example, an NUC of a MIMO FEC CR of 6/15 may have an NUC corresponding to an SISO FEC CR of 5/15.

Second step: A MIMO parameter “ a ” having optimum performance may be calculated by analyzing BICM performance as described above with reference to FIG. 32 with respect to the NUC obtained in the first step. In this case, a value of the parameter a may be calculated based on a power imbalance and a correlated channel environment described above with reference to FIG. 32.

FIG. 33, including (a) and (b), shows an equation that expresses a condition of a MIMO decoder for an NUC.

A receiver according to an embodiment of the present invention may perform a reverse operation of MIMO processing on the transmitting side. In addition, this figure illustrates a MIMO decoder for reducing complexity in a MIMO system to which an NUC is applied.

An SD refers to a MIMO decoder having reduced complexity while having maximum-likelihood (ML) performance. Therefore, the MIMO decoder according to the present embodiment may find a constellation point free of noise within a radius R of a hyper-sphere around a received signal r . The equation shown in FIG. 33(a) expresses ML according to a relation among the received signal r , the constellation point free of noise, and the radius R of the hyper-sphere, and FIG. 33(b) illustrates constellation points free of noise within the value of R of the hyper-sphere around the received signal. In the equation, HS denotes the constellation point free of noise.

Most SDs are based on a real-valued SD which is based on a constellation based on QAM or PSK. However, these SDs are not suitable for application to an NUC such as 2D-NUC. Therefore, an embodiment of the present invention may be based on a complex SD suitable for 2D-NUC. The complex SD suitable for 2D-NUC is advantageous in optimizing hardware execution. Thus, a value of an initial radius R may be selected according to change in noise for each antenna, and complexity of an algorithm may be based on a noise level and a channel condition. In other words, according to an embodiment of the present invention, a broadcast signal transmission/reception system may use a value of R according to a constellation of each MODCOD to optimize MIMO performance.

FIG. 34 shows MIMO constellations and MIMO parameters “ a ” proposed for 8 bpcu, 12 bpcu, and 16 bpcu according to an embodiment of the present invention.

A leftmost column of a table shown in the figure indicates code rates, and an upper row of the table indicates values of bpcu.

When a constellation according to an embodiment of the present invention is used, it is possible to obtain shaping gain optimized for each code rate (MODCOD). In addition, a MIMO parameter “ a ” according to the present embodiment may optimize MIMO performance when a constellation optimized for each MODCOD is applied. Further, optimum performance for each MODCOD may be acquired by applying a constellation and a MIMO parameter “ a ” according to the present embodiment.

FIG. 35 shows MIMO constellations and MIMO parameters “ a ” proposed for 8 bpcu, 12 bpcu, and 16 bpcu according to another embodiment of the present invention.

This figure shows a constellation that optimizes performance while maintaining a baseline of SISO for a constellation acquired through the above-described method for 8 bpcu, 12 bpcu, and 16 bpcu.

A leftmost column of a table shown in the figure indicates code rates, and an upper row of the table indicates values of bpcu. A MIMO parameter "a" is a value that can optimize MIMO performance when a constellation optimized for each MODCOD is applied.

When the constellation according to the embodiment of the present invention is used, it is possible to obtain optimized shaping gain while maintaining a baseline of SISO for each code rate (MODCOD) as much as possible. Therefore, additional configurations for MIMO may be reduced in the transmitter and the receiver, and thus complexity of a transmission/reception configuration may be reduced. In addition, it is possible to obtain optimum performance for each MODCOD by applying the constellation and the MIMO parameter "a" according to the present embodiment.

FIG. 36 shows MIMO constellations and MIMO parameters "a" proposed for 20 bpcu and 24 bpcu according to an embodiment of the present invention.

The present embodiment is different from the embodiments described above with reference to FIGS. 34 and 35 in values of bpcu, and details thereof are the same. Thus, a description of the details will be omitted.

FIG. 37 shows a type of a precoding matrix of the PH-eSM scheme according to an embodiment of the present invention.

An equation shown at the top of the figure expresses a MIMO matrix of the above-described PH-eSM scheme, and four types of precoding matrices in the equation shown at the top of the figure are shown at the bottom of the figure.

As described in the foregoing, the MIMO matrix of the PH-eSM scheme may include a precoding matrix (P), and the precoding matrix may include a rotation matrix and a phase rotation matrix. The rotation matrix may include the above-described MIMO parameter "a", and the rotation matrix may be expressed in the four types as shown at the bottom of the figure.

The four types of precoding matrices shown at the bottom of the figure are different from one another only in terms of expression and are substantially the same. That is, the MIMO parameter "a" may be expressed using a rotation angle θ .

In the precoding matrix of Type 4, a value of the matrix may be changed according to a value of n without fixing a rotation angle of a rotation matrix used for precoding. In this case, the value of n may change according to an OFDM carrier index or change according to an OFDM symbol index. The receiver may decode the value of n in synchronization with the transmitter. Therefore, when the precoding matrix of Type 4 is used, there is an advantage of obtaining average performance of several rotation angles without being affected by MIMO encoding performance which depends on a particular rotation angle of a rotation matrix.

In this case, a value of "a" and a value of a rotation angle may be determined based on a constellation value. When the signals X_1 and X_2 respectively transmitted through the antenna 1 (TX1) and the antenna 2 (TX2) are independently decoded, that is, when the symbols S_1 and S_2 are decoded only using the signal X_1 or only using the signal X_2 , a value of "a" is optimized based on Euclidean distance and Hamming distance. Thus, the receiver may obtain low BER performance

The receiver may perform ML and sub-ML (sphere) decoding, etc. using the matrix shown in the figure on signals MIMO-processed using the matrix, thereby performing a reverse operation of MIMO processing on the transmitting side.

FIG. 38 shows a MIMO matrix of the FRFD scheme according to an embodiment of the present invention.

As described in the foregoing, the FRFD scheme is a scheme of obtaining high performance by performing more complex decoding in the receiver. Details are the same as the above description with reference to FIG. 30. Four types of matrices shown in the figure are different from one another only in terms of expression and are substantially the same.

FIG. 39 shows signaling information for signaling a MIMO matrix according to an embodiment of the present invention.

The present invention proposes a method of transmitting a value of a MIMO parameter "a" using a signaling field (or signaling information) for signaling the value to the receiver. The signaling field may be expressed by MIMO encoding_parameter, and have a size of 4 bits. In addition, a bit resolution of a MIMO parameter may vary according to size of the signaling field.

The signaling field according to the present embodiment may be included in PLS1 or PLS2 described above. In addition, PLS1 and PLS2 according to the present embodiment may be referred to as L1 signaling information. The receiver according to the present embodiment may receive the above-described signaling information to perform flexible decoding.

A signaling field indicating a MIMO parameter (or MIMO encoding parameter) of a matrix corresponding to Type 2 is shown on the left side of the figure, and a signaling field indicating a MIMO parameter (or MIMO encoding parameter) of a matrix corresponding to Type 3 is shown on the right side of the figure.

Each of the MIMO parameter of the matrix corresponding to Type 2 and the MIMO parameter of the matrix corresponding to Type 3 may be defined as "a" or a rotation angle. A relation between the two parameters is shown at the bottom of the figure.

Therefore, in Type 2, "a" corresponds to 0 when a value of MIMO encoding_parameter corresponds to 0, and "a" corresponds to 1 when a value of MIMO encoding_parameter corresponds to 9. In a similar manner, in Type 3, a rotation angle corresponds to 0° when a value of MIMO encoding_parameter corresponds to 0, and a rotation angle corresponds to 45° when a value of MIMO encoding_parameter corresponds to 9.

In addition, a bit resolution of a MIMO parameter according to a value of MIMO encoding_parameter may change. Further, in Type 3, a resolution between MIMO parameters determined according to a value of MIMO encoding_parameter based on 4 bits may correspond to 5 degrees.

MIMO parameters of matrices corresponding to Type 1 and Type 4 according to an embodiment of the present invention may have similar values to those of MIMO parameters of matrices corresponding to Type 2 and Type 3.

FIG. 40 shows MIMO constellations and MIMO parameters proposed for 4 bpcu and 8 bpcu according to another embodiment of the present invention.

FIG. 40 shows optimized MIMO parameters when an ML decoder is applied to 4 bpcu (QPSK+QPSK) and 8 bpcu (16NUC+16NUC).

FIG. 40 shows rotation angles as another embodiment of the MIMO parameters described above with reference to FIGS. 34 to 36. In addition, a rotation angle may be expressed using "a" according to an equation shown at the right top of the table.

A leftmost column of the table shown in the figure indicates code rates, and an upper row of the table indicates values of bpcu.

When the receiver performs ML decoding, optimum MIMO performance may be obtained by applying the MIMO parameters shown in the figure.

A MIMO parameter rotation angle according to an embodiment of the present invention may optimize MIMO performance when a constellation optimized for each MODCOD is applied. In addition, optimum performance may be obtained for each MODCOD by applying a constellation and a MIMO parameter rotation angle according to the present embodiment.

FIG. 41 shows MIMO constellations and MIMO parameters proposed for 12 bpcu, 16 bpcu and 20 bpcu according to another embodiment of the present invention.

FIG. 41 shows optimized MIMO parameters when a linear receiver is applied to 12 bpcu (64NUC+64NUC), 16 bpcu (256NUC+256NUC), and 20 bpcu (1024NUC+1024NUC).

The linear receiver according to the present embodiment may include a MIMO demapper using an equalizer based on an MMSE filter. In this case, optimum MIMO performance may be obtained when the MIMO parameters shown in the figure are used. When the MIMO parameters and a linear type-reception configuration are used, there is an advantage of reducing complexity of the receiver while minimizing performance deterioration.

A MIMO parameter rotation angle according to an embodiment of the present invention may optimize MIMO performance when a constellation optimized for each MODCOD is applied. In addition, optimum performance may be obtained for each MODCOD by applying a constellation and a MIMO parameter rotation angle according to the present embodiment.

FIG. 42 shows MIMO constellations and MIMO parameters proposed for 24 bpcu according to another embodiment of the present invention.

FIG. 42 shows optimized MIMO parameters when a linear receiver is applied to 24 bpcu (2048NUC+2048NUC). The present embodiment is different from the embodiment described above with reference to FIG. 41 in values of bpcu, and details thereof are the same. Thus, the details will be omitted.

FIG. 43 is a flowchart illustrating a method for receiving broadcast signals according to an embodiment of the present invention.

The apparatus for receiving broadcast signals according to an embodiment of the present invention may perform a reverse process of transmitting broadcast signals which is described in FIG. 1 to FIG. 8, FIG. 10 to FIG. 57.

The apparatus for receiving broadcast signals according to an embodiment of the present invention or a receiver can receive broadcast signals (S43000).

Then the apparatus for receiving broadcast signals according to an embodiment of the present invention or a synchronization & demodulation module in the apparatus for receiving broadcast signals can demodulate the received broadcast signals by an OFDM (Orthogonal Frequency Division Multiplexing) scheme (S43100). Details are as described in FIG. 9.

The apparatus for receiving broadcast signals according to an embodiment of the present invention or the frame parsing module can parse at least one signal frame from the frequency deinterleaved broadcast signals (S43200). The detailed process of parsing is as described in FIG. 9.

Then the apparatus for receiving broadcast signals according to an embodiment of the present invention or the demapping & decoding module in the apparatus for receiving broadcast signals can MIMO process service data in the

parsed signal frame (S43300). More specifically, the MIMO processing of an apparatus for transmitting broadcast signals is performed on a pair of symbols of the mapped service data based on a rotation matrix with a rotation angle. The value of the rotation angle depends on a modulation order and code rate of the service data and the modulation order is one of QPSK modulation and NUC (non-uniform constellation). The details of MIMO processing are as described in FIG. 30 to FIG. 42. The apparatus for receiving broadcast signals according to an embodiment of the present invention can perform MIMO processing as a reverse process of the apparatus for transmitting.

Then, the apparatus for receiving broadcast signals according to an embodiment of the present invention or the demapping & decoding module can de-map the MIMO processed service data (S43400) and decode the demapped service data (S43500). The detailed process of the two steps is as described in FIG. 9.

It will be appreciated by those skilled in the art that various modifications and variations can be made in the present invention without departing from the spirit or scope of the inventions. Thus, it is intended that the present invention covers the modifications and variations of this invention provided they come within the scope of the appended claims and their equivalents.

Both apparatus and method inventions are mentioned in this specification and descriptions of both of the apparatus and method inventions may be complementarily applicable to each other.

A module, a unit or a block according to embodiments of the present invention is a processor/hardware executing a sequence of instructions stored in a memory (or storage unit). The steps or the methods in the above described embodiments can be operated in/by hardwares/processors. In addition, the method of the present invention may be implemented as a code that may be written on a processor readable recording medium and thus, read by the processors provided in the apparatus according to embodiments of the present invention.

What is claimed is:

1. A method for processing broadcast signals, the method comprising:

receiving the broadcast signals carrying service data; demodulating the broadcast signals by an Orthogonal Frequency Division Multiplexing (OFDM) scheme; Multiple Input Multiple Output (MIMO) processing data in the broadcast signals based on a rotation value, the rotation value has zero (0) degree for a modulation order corresponding to equal to or greater than 64 Quadrature Amplitude Modulation (QAM) and a code rate corresponding to at least one of 2/15, 3/15, 4/15, 5/15, 6/15, 7/15, 8/15, 9/15, 10/15, 11/15, 12/15 or 13/15,

the rotation value has zero (0) degree for a modulation order corresponding to Quadrature Phase Shift Keying (QPSK) and a code rate corresponding to at least one of 2/15, 3/15, 4/15 or 5/15,

the rotation value has non-zero degree for a modulation order corresponding to Quadrature Phase Shift Keying (QPSK) and a code rate corresponding to at least one of 6/15, 7/15, 8/15, 9/15, 10/15, 11/15, 12/15 or 13/15; and

decoding the data.

2. The method of claim 1, wherein the data in the MIMO processing is rotated based on a matrix having the rotation value.

3. A device for processing broadcast signals, the device comprising:

a tuner configured to receive the broadcast signals carrying service data;

a demodulator configured to demodulate the broadcast signals by an Orthogonal Frequency Division Multiplexing (OFDM) scheme;

a Multiple Input Multiple Output (MIMO) processor configured to MIMO process data in the broadcast signals based on a rotation value,

the rotation value has zero (0) degree for a modulation order corresponding to equal to or greater than 64 Quadrature Amplitude Modulation (QAM) and a code rate corresponding to at least one of 2/15, 3/15, 4/15, 5/15, 6/15, 7/15, 8/15, 9/15, 10/15, 11/15, 12/15 or 13/15,

the rotation value has zero (0) degree for a modulation order corresponding to Quadrature Phase Shift Keying (QPSK) and a code rate corresponding to at least one of 2/15, 3/15, 4/15 or 5/15,

the rotation value has non-zero degree for a modulation order corresponding to Quadrature Phase Shift Keying (QPSK) and a code rate corresponding to at least one of 6/15, 7/15, 8/15, 9/15, 10/15, 11/15, 12/15 or 13/15; and

a decoder configured to decode the data.

4. The device of claim 3, wherein the data, by the MIMO processor, is rotated based on a matrix having the rotation value.

5. A method for transmitting broadcast signals, the method comprising:

encoding data;

Multiple Input Multiple Output (MIMO) processing the data based on a rotation value,

the rotation value has zero (0) degree for a modulation order corresponding to equal to or greater than 64 Quadrature Amplitude Modulation (QAM) and a code rate corresponding to at least one of 2/15, 3/15, 4/15, 5/15, 6/15, 7/15, 8/15, 9/15, 10/15, 11/15, 12/15 or 13/15,

the rotation value has zero (0) degree for a modulation order corresponding to Quadrature Phase Shift Keying (QPSK) and a code rate corresponding to at least one of 2/15, 3/15, 4/15 or 5/15,

the rotation value has non-zero degree for a modulation order corresponding to Quadrature Phase Shift Keying (QPSK) and a code rate corresponding to at least one of 6/15, 7/15, 8/15, 9/15, 10/15, 11/15, 12/15 or 13/15;

modulating broadcast signals including the data by an Orthogonal Frequency Division Multiplexing (OFDM) scheme; and

transmitting the broadcast signals.

6. An apparatus for transmitting broadcast signals, the apparatus comprising:

an encoder configured to encode data;

a Multiple Input Multiple Output (MIMO) processor configured to MIMO process the data based on a rotation value,

the rotation value has zero (0) degree for a modulation order corresponding to equal to or greater than 64 Quadrature Amplitude Modulation (QAM) and a code rate corresponding to at least one of 2/15, 3/15, 4/15, 5/15, 6/15, 7/15, 8/15, 9/15, 10/15, 11/15, 12/15 or 13/15,

the rotation value has zero (0) degree for a modulation order corresponding to Quadrature Phase Shift Keying (QPSK) and a code rate corresponding to at least one of 2/15, 3/15, 4/15 or 5/15,

the rotation value has non-zero degree for a modulation order corresponding to Quadrature Phase Shift Keying (QPSK) and a code rate corresponding to at least one of 6/15, 7/15, 8/15, 9/15, 10/15, 11/15, 12/15 or 13/15;

a modulator configured to modulate broadcast signals including the data by an Orthogonal Frequency Division Multiplexing (OFDM) scheme; and

a transmitter configured to transmit the broadcast signals.

7. An apparatus for receiving broadcast signals, the apparatus comprising:

a receiver to receive the broadcast signals carrying service data that are processed by a Multiple-Input Multiple-Output (MIMO) operation;

a demodulator to demodulate the broadcast signals by an Orthogonal Frequency Division Multiplexing (OFDM) scheme,

wherein the MIMO operation is based on rotation matrices,

wherein values of rotation angles of the rotation matrices depend on modulation orders and code rates of the service data;

a demapper to demap data in the broadcast signals; and

a decoder to decode the data based on the code rates, wherein when a modulation order is Quadrature Phase Shift Keying (QPSK) and the code rates are 2/15, 3/15, 4/15, and 5/15, the values of the rotation angles are zero (0) degrees,

wherein when a modulation order is QPSK and the code rates are 6/15, 7/15, 8/15, 9/15, 10/15, 11/15, 12/15 and 13/15, the values of the rotation angles are non-zero (0) degrees.

8. The apparatus of claim 7,

wherein when a modulation order is a Non-Uniform Constellation (NUC) 64 and the code rates are 6/15, 7/15, 8/15, 9/15, 10/15, 11/15, 12/15 and 13/15, the values of the rotation angles are non-zero (0) degrees,

wherein when a modulation order is a NUC-256 and the code rates are 6/15, 7/15, 8/15, 9/15, 10/15, 11/15, 12/15 and 13/15, the values of the rotation angles are non-zero (0) degrees,

wherein when a modulation order is a NUC-1024 and the code rates are 6/15, 7/15, 8/15, 9/15, 10/15, 11/15, 12/15 and 13/15, the values of the rotation angles are non-zero (0) degrees.

9. A method for receiving broadcast signals, the method comprising:

receiving the broadcast signals carrying service data that are processed by a Multiple-Input Multiple-Output (MIMO) operation;

demodulating the broadcast signals by an Orthogonal Frequency Division Multiplexing (OFDM) scheme, wherein the MIMO operation is based on rotation matrices,

wherein values of rotation angles of the rotation matrices depend on modulation orders and code rates of the service data;

demapping data in the broadcast signals; and

decoding the data based on the code rates, wherein when a modulation order is Quadrature Phase Shift Keying (QPSK) and the code rates are 2/15, 3/15, 4/15, and 5/15, the values of the rotation angles are zero (0) degrees,

wherein when a modulation order is QPSK and the code rates are 6/15, 7/15, 8/15, 9/15, 10/15, 11/15, 12/15 and 13/15, the values of the rotation angles are non-zero (0) degrees.

10. The method of claim 9, 5

wherein when a modulation order is a Non-Uniform-Constellation (NUC) 64 and the code rates are 6/15, 7/15, 8/15, 9/15, 10/15, 11/15, 12/15 and 13/15, the values of the rotation angles are non-zero (0) degrees,

wherein when a modulation order is a NUC-256 and the 10
code rates are 6/15, 7/15, 8/15, 9/15, 10/15, 11/15, 12/15 and 13/15, the values of the rotation angles are non-zero (0) degrees,

wherein when a modulation order is a NUC-1024 and the 15
code rates are 6/15, 7/15, 8/15, 9/15, 10/15, 11/15, 12/15 and 13/15, the values of the rotation angles are non-zero (0) degrees.

* * * * *