



US00RE50198E

(19) **United States**
(12) **Reissued Patent**
Han et al.

(10) **Patent Number:** **US RE50,198 E**
(45) **Date of Reissued Patent:** **Nov. 5, 2024**

(54) **ELECTRONIC APPARATUS AND METHOD FOR CONTROLLING THE SAME**

(58) **Field of Classification Search**
CPC H04N 21/42222
See application file for complete search history.

(71) Applicant: **SAMSUNG ELECTRONICS CO., LTD.**, Suwon-si (KR)

(56) **References Cited**

(72) Inventors: **Sang-jin Han**, Gunpo-si (KR);
Yong-hwan Kwon, Seongnam-si (KR);
Jung-geun Kim, Suwon-si (KR)

U.S. PATENT DOCUMENTS

(73) Assignee: **SAMSUNG ELECTRONICS CO., LTD.**, Suwon-si (KR)

6,681,031 B2 1/2004 Cohen et al.
6,762,692 B1 7/2004 Mingot et al.
7,181,394 B2 2/2007 Kusumoto
7,801,730 B1 * 9/2010 Miyazaki et al. 704/275
8,032,382 B2 * 10/2011 Yamamoto et al. 704/275
(Continued)

(21) Appl. No.: **16/256,789**

FOREIGN PATENT DOCUMENTS

(22) Filed: **Jan. 24, 2019**

CN 1319223 A 10/2001
CN 101202074 A 6/2008
(Continued)

Related U.S. Patent Documents

Reissue of:

(64) Patent No.: **9,552,057**
Issued: **Jan. 24, 2017**
Appl. No.: **13/687,771**
Filed: **Nov. 28, 2012**

OTHER PUBLICATIONS

Communication issued Oct. 10, 2018, issued by the Korean Intellectual Property Office in counterpart Korean Patent Application No. 10-2011-0147512.

(30) **Foreign Application Priority Data**

Dec. 30, 2011 (KR) 10-2011-0147512

(Continued)

Primary Examiner — Cameron Saadat

(74) *Attorney, Agent, or Firm* — Sughrue Mion, PLLC

(51) **Int. Cl.**

G06F 3/01 (2006.01)
G06F 3/16 (2006.01)
G06F 9/451 (2018.01)
G10L 15/22 (2006.01)
H04N 21/422 (2011.01)

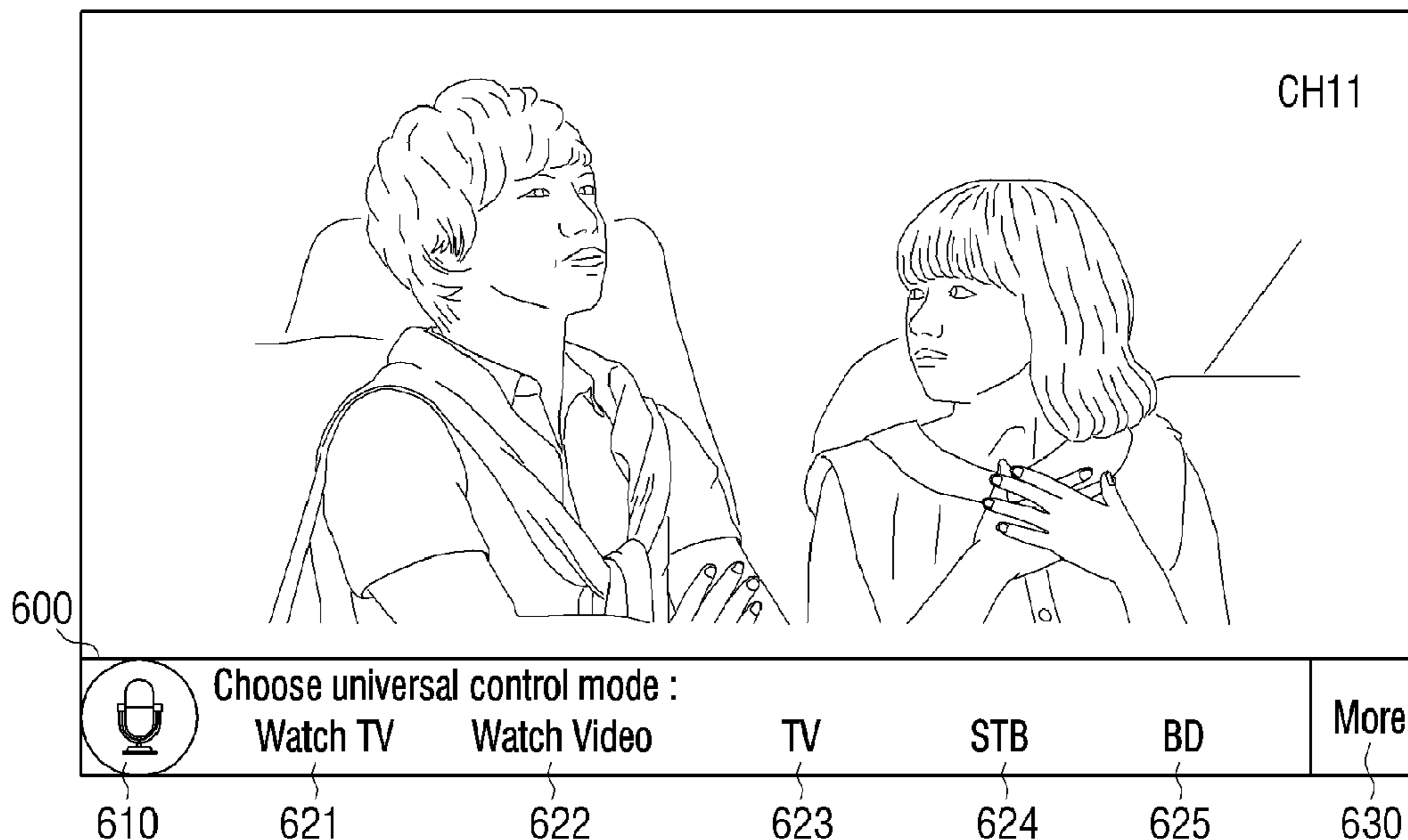
(57) **ABSTRACT**

An electronic apparatus and a control method thereof are provided, which displays first voice guide information indicating voice commands available to control the electronic apparatus, and if a command to control an external device connected to the electronic apparatus is received, changes the first voice guide information and displays second voice guide information to indicating voice commands available to control the external device.

(52) **U.S. Cl.**

CPC **G06F 3/01** (2013.01); **G06F 3/017** (2013.01); **G06F 3/167** (2013.01); **G06F 9/453** (2018.02); **G10L 15/22** (2013.01); **H04N 21/42203** (2013.01); **H04N 21/42222** (2013.01); **G10L 2015/223** (2013.01)

26 Claims, 9 Drawing Sheets



(56)

References Cited

U.S. PATENT DOCUMENTS

8,121,707	B2	7/2012	Haga et al.	
8,212,707	B2	7/2012	Haga et al.	
8,279,253	B2	10/2012	Kim	
2002/0161572	A1	10/2002	Kusumoto	
2003/0069996	A1	4/2003	Parrott	
2005/0027538	A1*	2/2005	Halonen et al.	704/275
2005/0114140	A1*	5/2005	Brackett et al.	704/270
2007/0033055	A1*	2/2007	Tanaka	704/275
2007/0247794	A1*	10/2007	Jaffe et al.	361/681
2008/0049905	A1*	2/2008	Seo	379/88.03
2008/0129686	A1	6/2008	Han	
2008/0225112	A1	9/2008	Kim	
2009/0005026	A1*	1/2009	Lunsford et al.	455/418
2009/0164113	A1*	6/2009	Kang	701/200
2009/0262001	A1*	10/2009	Haga et al.	341/176
2010/0315563	A1*	12/2010	Park	H04N 21/4108 348/734
2011/0061078	A1	3/2011	Rothschild	
2012/0124245	A1*	5/2012	Reeves	G05B 19/0426 715/744
2012/0259639	A1*	10/2012	Yeh et al.	704/270
2013/0073293	A1*	3/2013	Jang et al.	704/275
2014/0223299	A1	8/2014	Han	

FOREIGN PATENT DOCUMENTS

CN	101267569	A	9/2008
CN	101420543	A	4/2009
CN	101561965	A	10/2009
EP	1207516	A1	5/2002
JP	2000-203357	A	7/2000
JP	2001-197379	A	7/2001
JP	2002-108390	A	4/2002
JP	2002-525690	A	8/2002

JP	2003-508857	A	3/2003
JP	2003-241784	A	8/2003
JP	2004-031999	A	1/2004
JP	2004-538680	A	12/2004
JP	2006-251298	A	9/2006
KR	10-0227433	B1	11/1999
KR	10-0510122	B1	10/2005
KR	10-2008-0050895	A	6/2008
KR	10-2008-0096239	A	10/2008
WO	02/091114	A2	11/2002

OTHER PUBLICATIONS

Decision to Refuse dated May 20, 2016 issued by European Patent Office in counterpart European Patent Application No. 12 198 524.6.

Office Action issued on Nov. 28, 2016 from the State Intellectual Property Office of P. R. China in corresponding Chinese Application No. 201210592980.

Office Action issued on Oct. 3, 2016 from the Japanese Patent Office in corresponding Japanese Application No. 2012-286588.

Communication, dated Jun. 26, 2013, issued by the European Patent Office in counterpart European Application No. 12198524.6.

Griffin Technology: "Griffin and Dijit Announce Android-Compatible Beacon Universal Remote Control System", Nov. 8, 2011, XP002698565, <http://web.archive.org/web/20111112141722/http://www.griffintechology.com/press/release/griffin-and-dijit-announce-android-compatible-beacon-universal-remote-control-system>, pp. 1-4.

Communication, Issued by the European Patent Office, Dated Jan. 12, 2015, in counterpart European Application No. 12 198 524.6.

Communication dated Sep. 22, 2015 issued by the European Patent Office in counterpart European Application No. 12198524.6.

* cited by examiner

FIG. 1

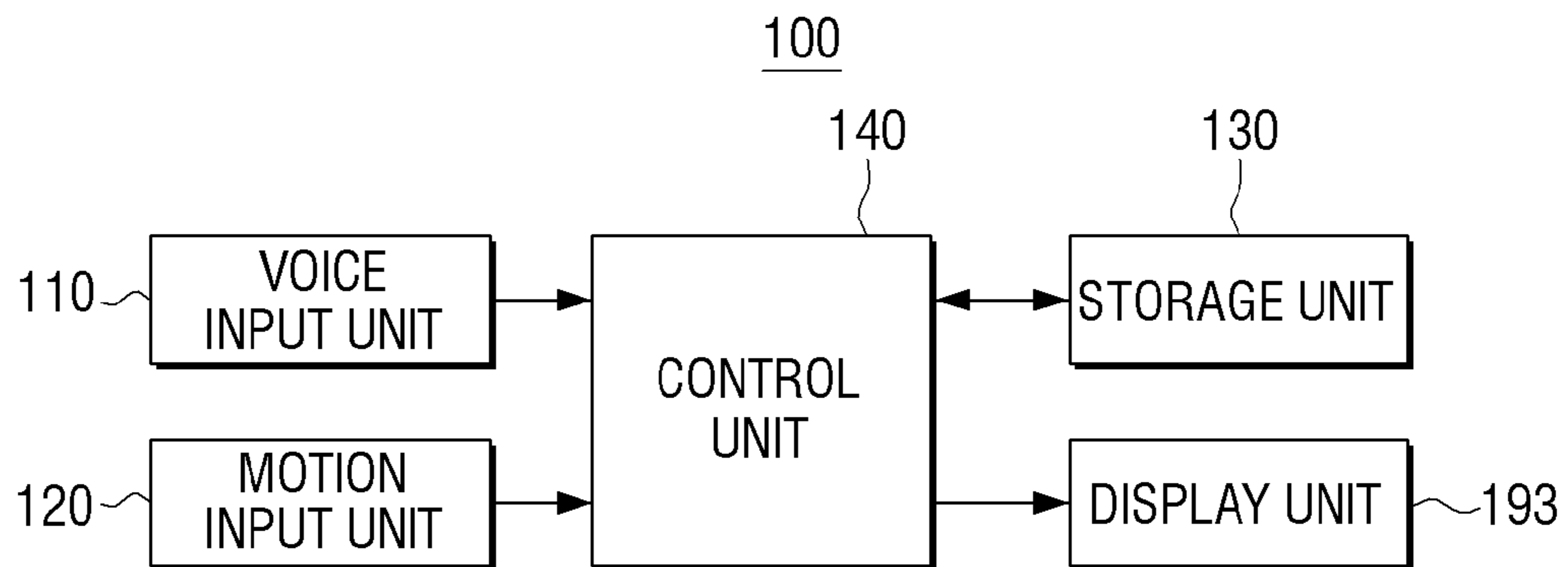


FIG. 2

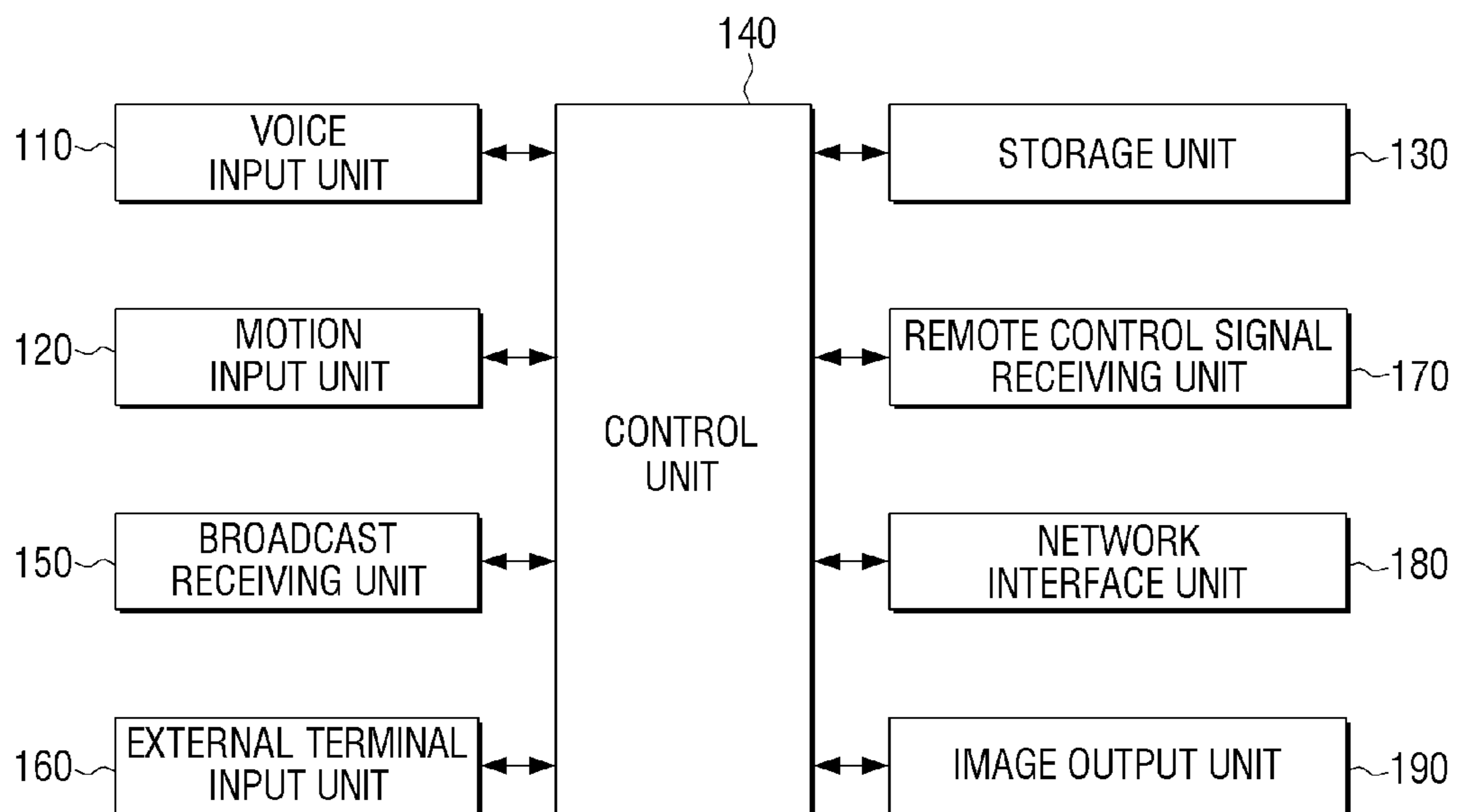


FIG. 3

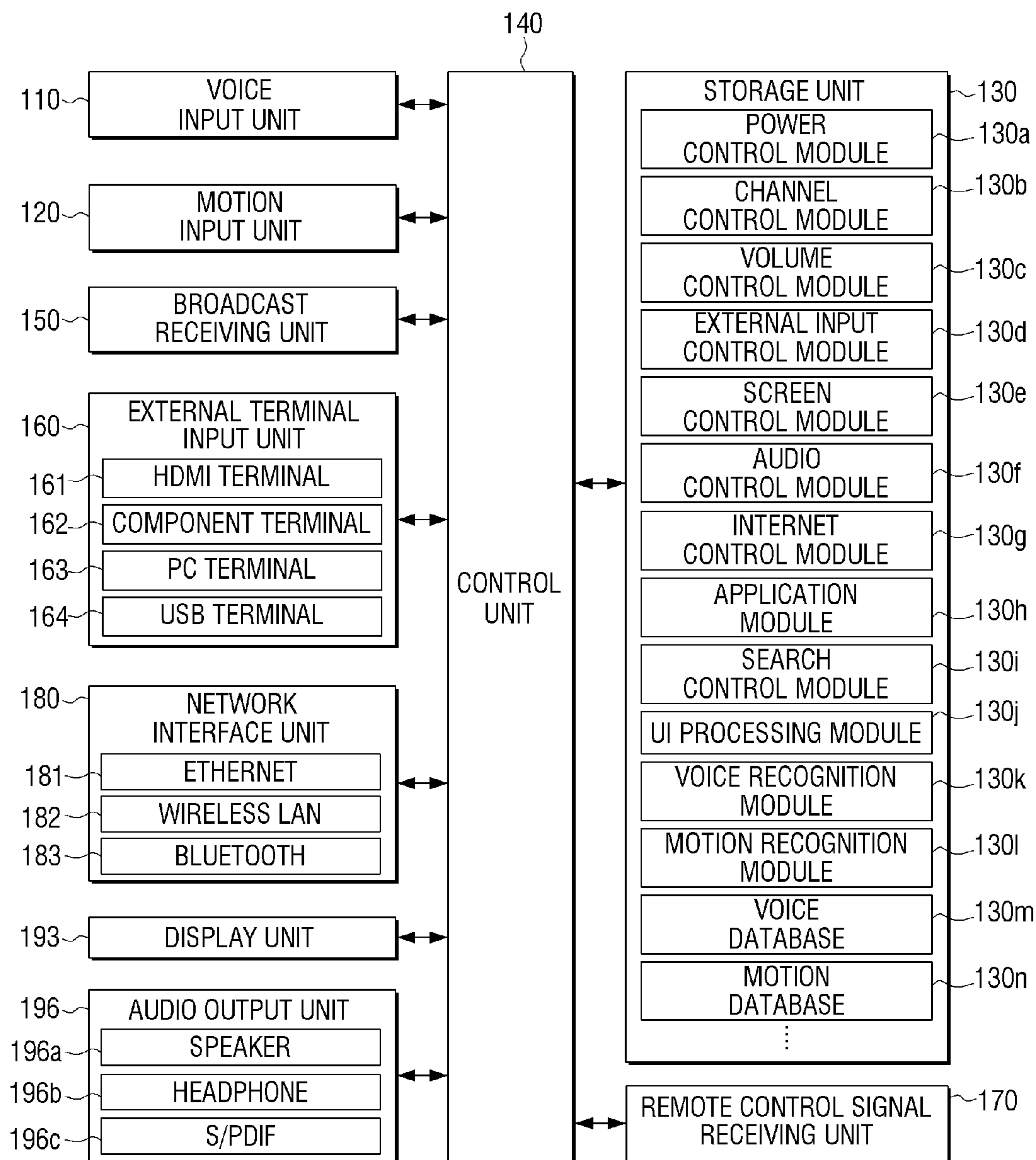


FIG. 4

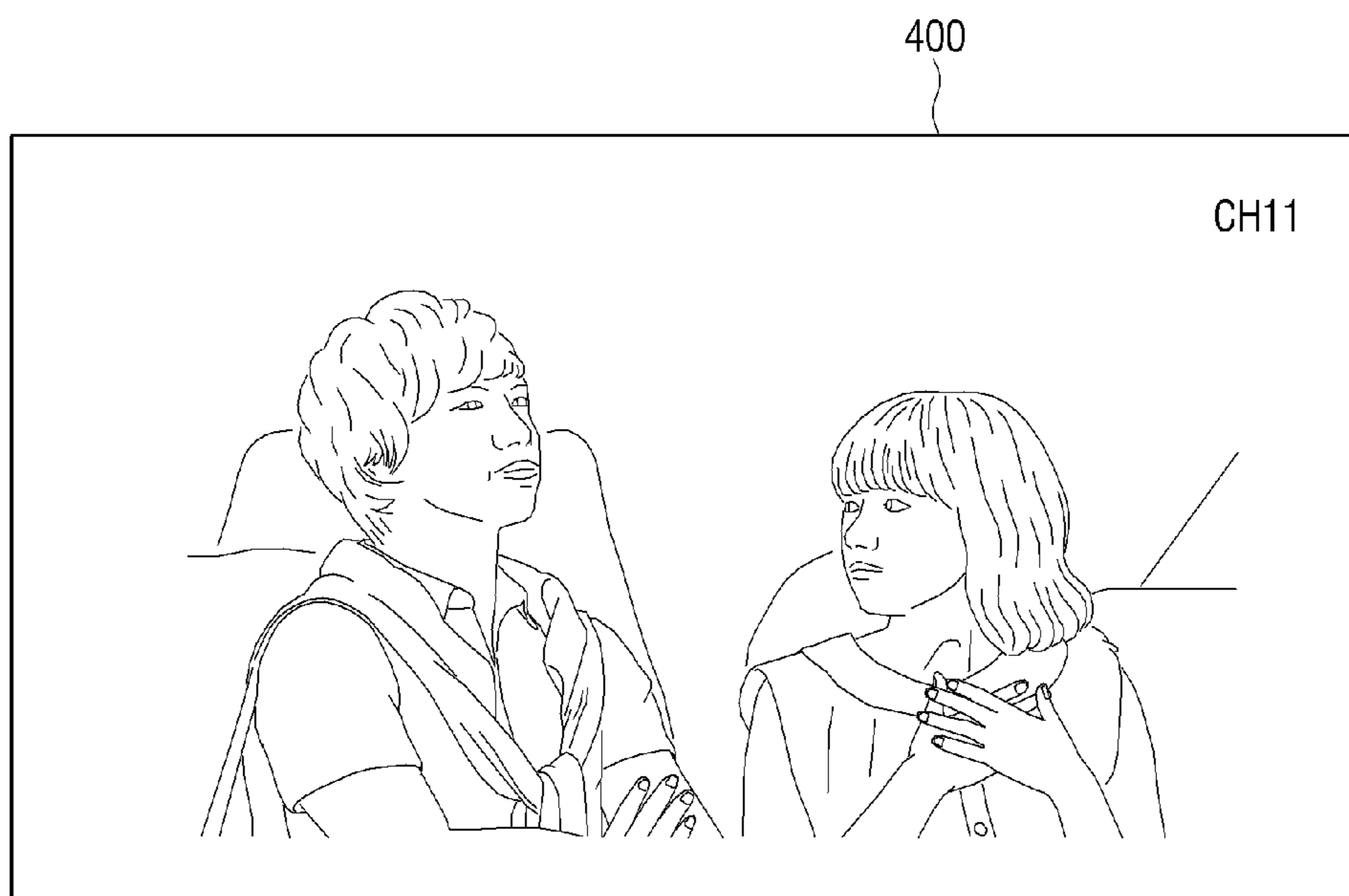


FIG. 5

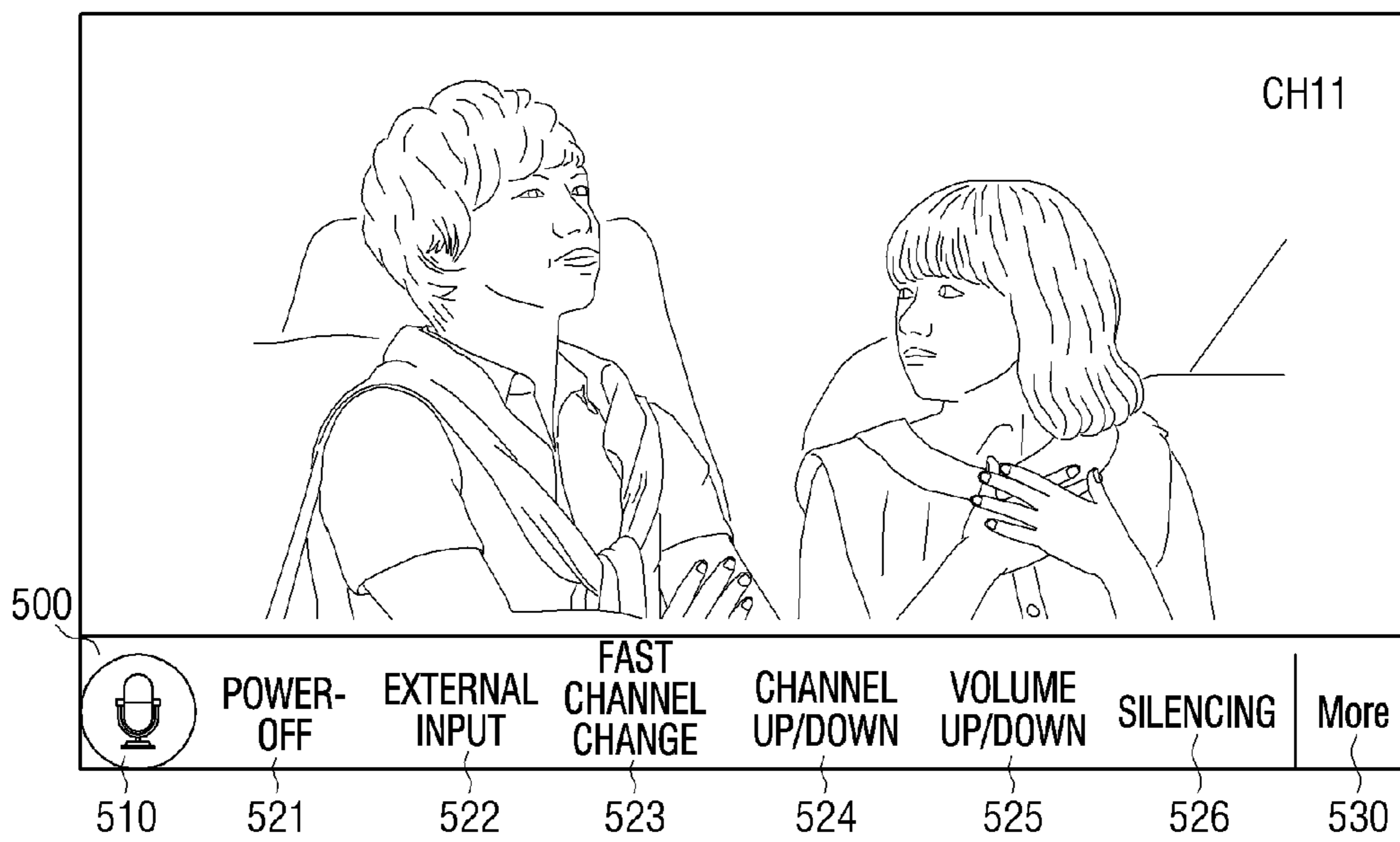


FIG. 6

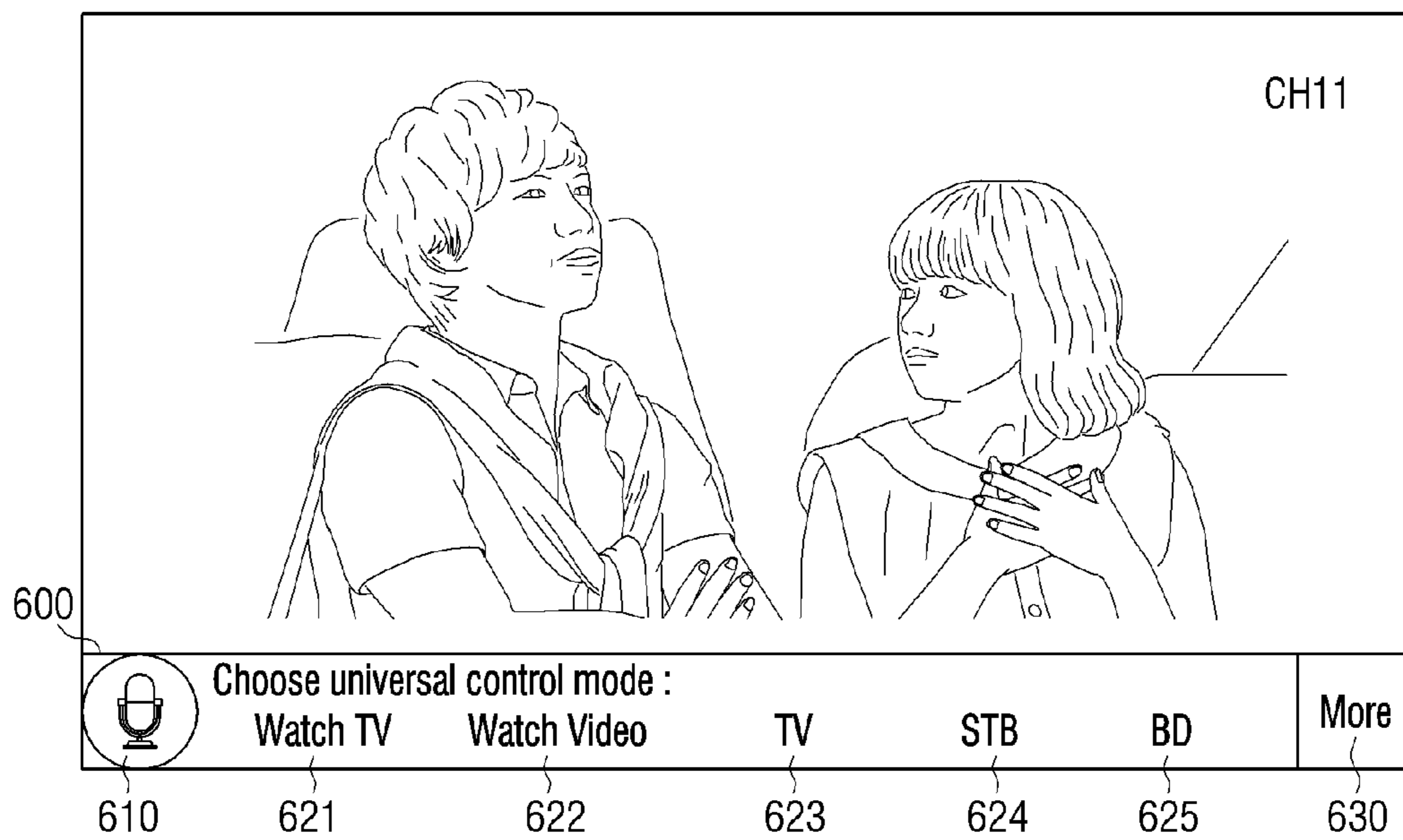


FIG. 7

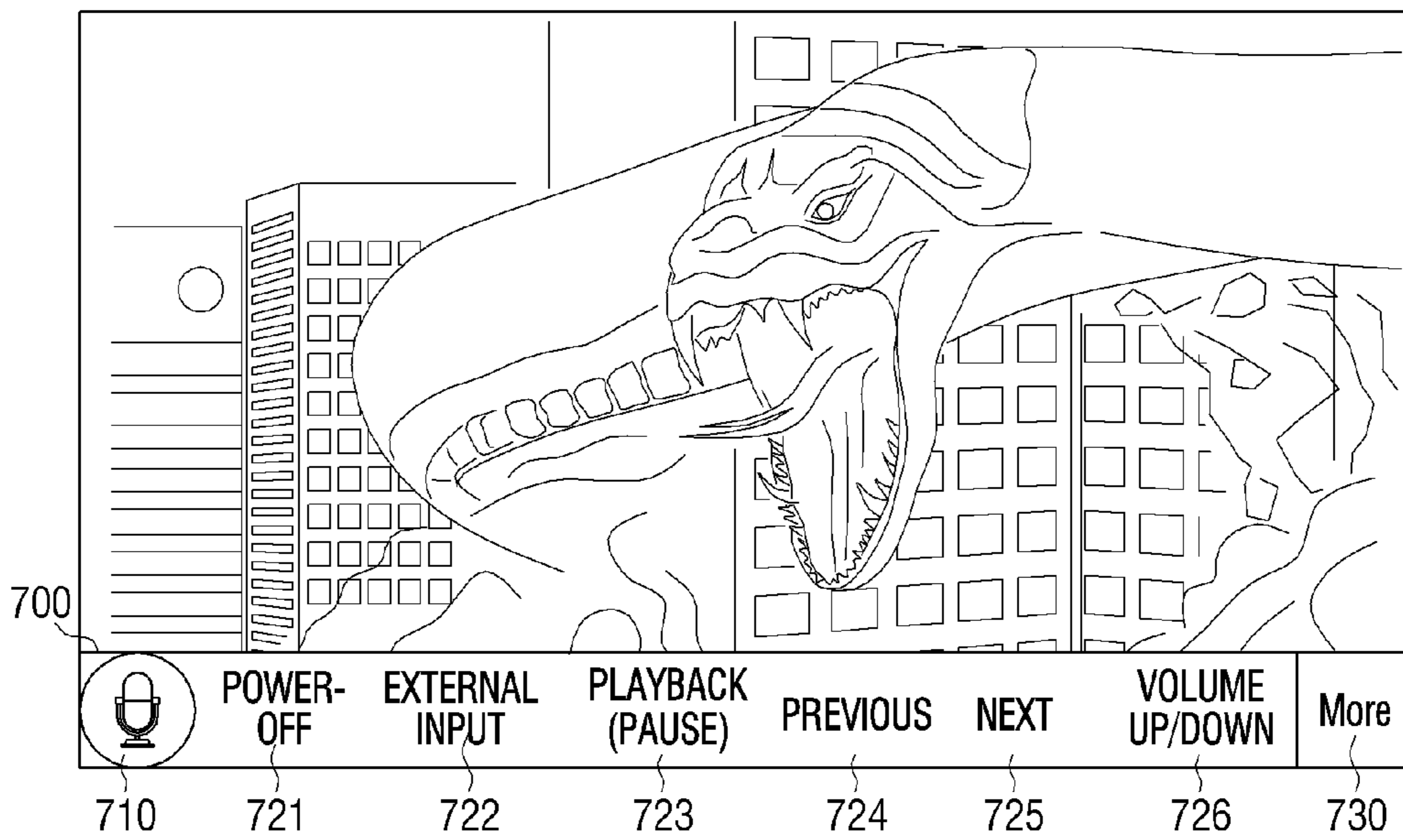


FIG. 8

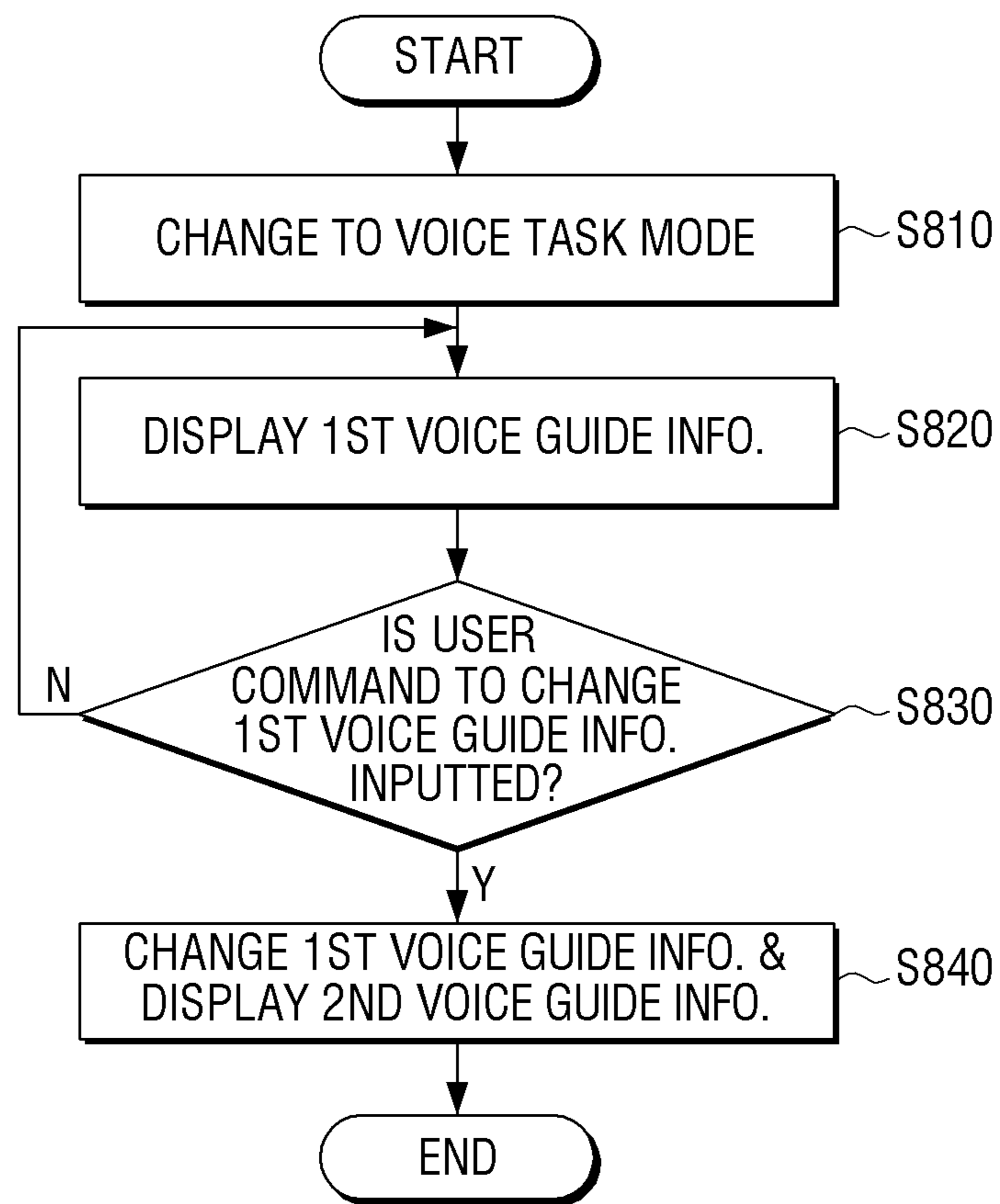
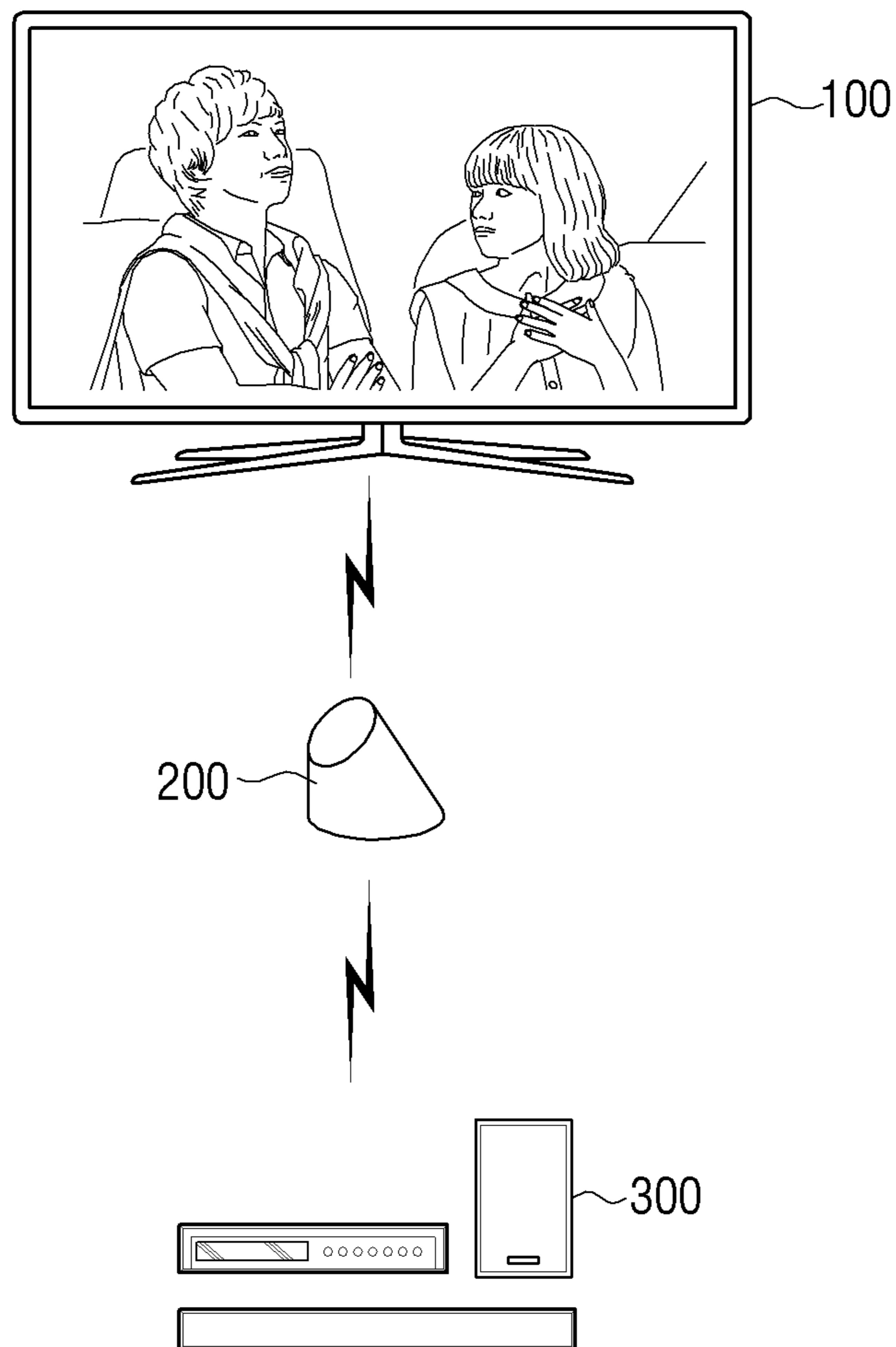


FIG. 9

10



ELECTRONIC APPARATUS AND METHOD FOR CONTROLLING THE SAME

Matter enclosed in heavy brackets [] appears in the original patent but forms no part of this reissue specification; matter printed in italics indicates the additions made by reissue; a claim printed with strikethrough indicates that the claim was canceled, disclaimed, or held invalid by a prior post-patent action or proceeding.

CROSS-REFERENCE TO RELATED APPLICATIONS

This is a reissue application of U.S. Pat. No. 9,552,057, which was filed as U.S. application Ser. No. 13/687,771 on Nov. 28, 2012 and issued on Jan. 24, 2017, the disclosure of which is hereby incorporated by reference in its entirety.

This application claims priority from Korean Patent Application No. 10-2011-0147512, filed on Dec. 30, 2011, in the Korean Intellectual Property Office, the disclosure of which is incorporated herein by reference in its entirety.

BACKGROUND

1. Field

Apparatuses and methods consistent with exemplary embodiments relate to controlling an electronic apparatus and a method for controlling the same, and more particularly, to an electronic apparatus controlled in accordance with a user's voice or motion and a method for controlling the same.

2. Description of the Related Art

Various types of electronic apparatuses have been developed and distributed thanks to the advancement in the field of electronics. Against this backdrop, home users are now provided with various types of electronic apparatuses including televisions (TVs). These electronic apparatuses for home use have a variety of functions to meet the customer's increasing demands. For example, TVs now can access the Internet and provide Internet service. Further, users can view numerous digital broadcast channels on TVs.

Thus, it is increasingly necessary for the users to be familiar with numerous and increasing methods of input to utilize the functions provided by the electronic apparatuses more efficiently. For example, the input may be made through remote control, mouse or touchpad.

However, it may be difficult to efficiently use all the functions provided by the electronic apparatuses with various input devices. For example, a remote control has to accommodate many buttons, if the remote control is the only device that is provided to control all the functions of the electronic apparatus. The problem is casual or novice users would not find it easy to handle such a remote control. In another example, if users are required to input choices through the menus displayed on the screen, it would be cumbersome for the users who have to check the complicated menu trees one by one until they find the right menu.

Accordingly, to provide an electronic apparatus which is controlled more conveniently and intuitively, technology based on voice and motion recognition has been developed. In a system to control electronic apparatuses using voice or motion recognition, a user interface (UI) is necessary to guide the user through the voice or motion recognition.

However, the conventional UI relating to voice or motion recognition is provided in the same form, irrespective of the executed applications or user preference. For example, irre-

spective of whether the electronic apparatus (e.g., TV) is connected to a set top box to perform the function of broadcast reception or connected to a DVD player to perform the function of playing back images, there is always the same form of UI provided to the user.

SUMMARY

Exemplary embodiments of the present inventive concept overcome the above disadvantages and other disadvantages not described above. Also, the present inventive concept is not required to overcome the disadvantages described above, and an exemplary embodiment of the present inventive concept may not overcome any of the problems described above.

One or more exemplary embodiments provide an electronic apparatus which can provide different sound or motion guide information depending on types and functions of external devices connected thereto, and a method for controlling the same.

According to an aspect of an exemplary embodiment, there is provided a method for controlling an electronic apparatus, the method including: displaying first voice guide information to inform a user of voice commands available to control the electronic apparatus, receiving a user's command to control an external device connected to the electronic apparatus, and in response to the received user's command, changing the first voice guide information and displaying second voice guide information to inform the user of voice commands available to control the external device.

The method may include searching a plurality of voice guide information stored in the electronic apparatus to find the second voice guide information that corresponds to the external device.

If the electronic apparatus is a television (TV), the first voice guide information may include at least one of a voice command regarding power control, a voice command regarding operating the external device, a voice command regarding a channel setting, and a voice command regarding a volume setting, and if the external device is one of a DVD player and a Blu-ray Disc (BD) player, the second voice guide information may include at least one of a voice command regarding power control of the external device, a voice command regarding operating the external device, and a voice command regarding a playback setting of the external device.

The method may include, if the first voice guide information is displayed, and if a user's voice command contained in the first voice guide information is received, controlling the electronic apparatus according to the user's voice command, and if the second voice guide information is displayed, and if a user's voice command contained in the second voice guide information is received, generating a control signal corresponding to the received user's voice command and transmitting the generated control signal to the external device.

The method may include, if the second voice guide information is displayed, and if a user's voice command corresponding to one of the voice commands included in the second voice guide information is received, generating a control signal corresponding to the received user's command, and wirelessly transmitting the generated control signal to a relay device to transmit to the external device.

The generated control signal may be transmitted to the relay device by using Bluetooth communication, and the

relay device may convert the transmitted control signal into an infrared (IR) signal and transmit the converted IR signal to the external device.

The first and second voice guide information may each include an icon which indicates that the operation mode of the electronic apparatus is a voice control mode.

The first and second voice guide information may be displayed on a bottom of a screen on which content is displayed on the electronic apparatus.

The user's command may be a user's voice command input through a voice input unit to control an external device.

According to an aspect of another exemplary embodiment, there is an electronic apparatus is provided, which may include a voice input device which receives a user's voice command input, a display, and a controller which controls the display to display first voice guide information to inform a user of voice commands available to control the electronic apparatus, and if a user's command to control an external device connected to the electronic apparatus is received, changes the first voice guide information and displays second voice guide information to inform a user of voice commands available to control the external device.

The electronic apparatus may include a storage which stores a plurality of voice guide information, wherein the controller may search the plurality of stored voice guide information of the storage to find the second voice guide information corresponding to the external device.

If the electronic apparatus is a TV, the first voice guide information may include at least one of a voice command regarding power control, a voice command regarding operating the external device, a voice command regarding a channel setting, and a voice command regarding a volume setting, and if the external device is one of a DVD player and a Blu-ray Disc (BD) player, the second voice guide information may include at least one of a voice command regarding power control of the external device, a voice command regarding operating the external device, and a voice command regarding playback setting of the external device.

The electronic apparatus may include an external terminal input device which connects the electronic apparatus to the external device, wherein, if the first voice guide information is displayed, and if a user's voice command contained in the first voice guide information is received, the controller may control the electronic apparatus according to the user's voice command, and if the second voice guide information is displayed, and if a user's voice command contained in the second voice guide information is received, the controller may generate a control signal corresponding to the received user's voice command and transmit the generated control signal to the external device.

The electronic apparatus may include a network interface which performs communication with a relay device that communicates with the external device, wherein, if the second voice guide information is displayed, and if a user's voice command corresponding to one of the voice command included in the second voice guide information is received, the controller may generate a control signal corresponding to the received user's voice command, and wirelessly transmit the generated control signal to a relay device to transmit to the external device.

The generated control signal may be transmitted to the relay device by Bluetooth communication, and the relay device may convert the transmitted control signal into an infrared (IR) signal and transmit the converted IR signal to the external device.

The first and second voice guide information may each include an icon which indicates that the operation mode of the electronic apparatus is a voice control mode.

The first and second voice guide information may be displayed on a bottom of a screen on which content is displayed on the electronic apparatus.

The user's command may be a user's voice command input through a voice input device to control an external device.

According to another aspect of an exemplary embodiment, there is provided a method for controlling an electronic apparatus, the method including: displaying first motion guide information to inform the user of motion commands available to control the electronic apparatus, receiving a user's command to control an external device connected to the electronic apparatus, and in response to the received user's command, changing the first motion guide information and displaying second motion guide information to inform the user of motion commands available to control the external device.

According to another aspect of an exemplary embodiment, there is provided an electronic apparatus, including: a motion input device which receives a user's motion, a display, and a controller which controls the display to display first motion guide information to inform a user of motion commands available to control the electronic apparatus, and if a user's command to control an external device connected to the electronic apparatus is received, changes the first motion guide information and displays second motion guide information to inform the user of motion commands available to control the external device.

According to an aspect of another exemplary embodiment, there is provided a method for controlling an external device, the method including: receiving a user's command to control an external device connected to the electronic apparatus; and in response to the received user's command, displaying motion guide information to inform the user of motion commands available to control the external device.

According to an aspect of another exemplary embodiment, there is provided a method for controlling an external device, the method including: receiving a user's command to control an external device connected to the electronic apparatus; and in response to the received user's command, displaying voice guide information to inform the user of voice commands available to control the external device.

BRIEF DESCRIPTION OF THE DRAWINGS

The above and/or other aspects will be more apparent by describing certain exemplary embodiments with reference to the accompanying drawings, in which:

FIGS. 1 to 3 are block diagrams of an electronic apparatus according to various exemplary embodiments;

FIGS. 4 to 7 are views provided to illustrate a method for providing different voice guide information depending on an external device connected to the electronic apparatus, according to an exemplary embodiment;

FIG. 8 is a flowchart provided to explain a method for providing different voice guide information depending on an external device connected to the electronic apparatus, according to an exemplary embodiment; and

FIG. 9 is a view illustrating a system having an electronic apparatus, an external device, and a relay device relaying the electronic apparatus and the external device, according to an exemplary embodiment.

5

DETAILED DESCRIPTION OF EXEMPLARY EMBODIMENTS

Certain exemplary embodiments will now be described in greater detail with reference to the accompanying drawings.

In the following description, same drawing reference numerals are used for the same elements even in different drawings. The matters defined in the description, such as detailed construction and elements, are provided to assist in a comprehensive understanding of the present inventive concept. Accordingly, it is apparent that the exemplary embodiments of the present inventive concept can be carried out without those specifically defined matters. Also, well-known functions or constructions are not described in detail since they would obscure the exemplary embodiments with unnecessary detail.

FIG. 1 is a schematic block diagram of an electronic apparatus according to an exemplary embodiment.

Referring to FIG. 1, the electronic apparatus 100 may include a voice input unit 110 (e.g., a voice input device such as a microphone, etc.), a motion input unit 120 (e.g., a motion input device such as motion detecting camera, gyroscope, etc.), a storage unit 130 (e.g., a storage, memory, etc.), a control unit 140 (e.g., a controller, processor, etc.) and a display unit 193 (e.g., a display, etc.). The electronic apparatus 100 may be implemented as a TV, a set-top box, a PC or a digital TV or mobile phone, but not limited thereto.

The voice input unit 110 receives a voice of a user when a user utters spoken commands, words, sentences, etc. The voice input unit 110 converts the input voice into an electric voice signal and outputs the signal to the control unit 140. By way of example, the voice input unit 110 may be implemented as a microphone. Further, the voice input unit 110 may be implemented together with the electronic apparatus 100 in a single device, or provided separately. If separately provided, the voice input unit 110 may be connected to the electronic apparatus 100 in a wired manner or via a wireless network.

The motion input unit 120 receives an image signal of a user's photographed motion (e.g., successive frames) and provides the same to the lens and the image sensor. By way of example, the motion input unit 120 may be implemented as a camera unit 120 which includes a lens and an image sensor. Further, the motion input unit 120 may be provided integrally with the electronic apparatus 100, or provided separately. If provided separately, the motion recognition unit 120 may connect to the electronic apparatus 100 in a wired manner or via a wireless network.

The storage unit 130 may store various data and programs to drive and control the electronic apparatus 100. The storage unit 130 may also store a voice recognition module to perceive or recognize voice input through the voice input unit 110 and a motion recognition module to perceive or recognize motion input through the motion input unit.

The storage unit 130 may include a voice database and a motion database. As used herein, the voice database refers to a database in which preset voices and voice tasks matching the preset voices are recorded. The motion database refers to a database in which preset motions and motion tasks matching the preset motions are recorded.

The display unit 193 may display an image corresponding to the broadcast signal received through the broadcast receiving unit. The display unit 193 may display image data (e.g., video) which is input through an external terminal input unit. The display unit 193 may also display voice guide information providing guidance on performing a voice task

6

and motion guide information providing guidance on performing a motion task according to the control by the control unit 140.

The control unit 140 may control the voice input unit 110, the motion input unit 120, the storage unit 130, the display unit 193. The control unit 140 may include a central processing unit (CPU), a module to control the electronic apparatus 100, a Read Only Memory (ROM), and a Random Access Memory (RAM) to store data.

If a voice is input into or received through the voice input unit 110, the control unit 140 perceives the voice using the voice recognition module and the voice database. The voice recognition may be mainly categorized into an isolated word recognition method which perceives voice utterance based on isolated words, a continuous speech recognition method which perceives continuous sentences and a conversational voice, and a keyword spotting method in the hybrid form of the isolated word recognition method and the continuous speech recognition method, which detects and perceives predetermined keywords.

If the user's voice is input, the control unit 140 detects a beginning and end of the voice utterance of the user within the input voice signal, to thus determine voice segment. The control unit 140 may detect the voice segment by calculating the energy of the input voice signal, dividing the energy levels of the voice signal according to the calculated energies, and implementing dynamic programming. The control unit 140 detects the phoneme, which is the smallest unit of the voice, based on the acoustic model from the voice signal within the detected voice segment and generates phoneme data. The control unit 140 implements a Hidden Markov Model (HMM) on the generated phoneme data to generate text information. However, the method for perceiving a user's voice is not limited to the example explained above. Accordingly, various other methods may be implemented to perceive the user's voice. As a result, the control unit 140 perceives the user's voice contained in the voice signal.

If receiving a motion through the motion input unit 120, the control unit 140 perceives the motion by using the motion recognition module and the motion database. The motion recognition may include perceiving continuous object motions, by distinguishing an image (e.g., successive frames) input through the motion input unit 120 into a background and an object which is subject to the user motion areas (e.g., a user's hand). If the user's motion is input, the control unit 140 stores the received image in units of frames and detects an object by using the stored frames. The control unit 140 detects the object by detecting at least one of shape, color or motion of the object included in the frames. The control unit 140 may trace the detected motion of the object by using the location of the object or the shape of each object respectively included in the plurality of frames.

The control unit 140 determines a user's motion in accordance with the motion of the traced object. By way of example, the control unit 140 determines a user's motion by using at least one of changes in the shape of the object, speed, location and direction of the object. The user's motion may include a grab in which the user clenches his hand, a pointing move in which the user motions to move the indicated cursor by hand, a slap in which the user moves his hand to one direction above a predetermined speed, a shake in which the user waves his hand left/right or up/down, and a rotation in which the user rotates his hand. The technical concept of an exemplary embodiment may be applicable to motions other than those explained above. By way of example, the user's motion may additionally include a spread motion in which the user unfolds his clenched hand

and if a hand is in a fixed position for predetermined time, it may be determined as a specific motion.

The control unit **140** determines if the object escapes a certain area (e.g., 40 cm×40 cm square) within a certain time (e.g., 800 ms) to thus determine whether the user's motion is the pointing move or the slap. If the object escapes the certain area within the certain time, the control unit **140** may determine the user's motion to be the slap. In another example, if determining that the speed of the object is below a preset speed (e.g., 30 cm/s), the control unit may determine the user's motion to be the pointing move. If determining that the speed of the object exceeds the preset speed, the control unit **140** determines the user's motion to be the slap.

The control unit **140** performs tasks of the electronic apparatus **100** using the perceived voice and motion. The tasks of the electronic apparatus **100** may include at least one of: power control, channel change, volume adjustment, content (e.g., video, music, photo, etc.) playback, selection of Graphical User Interface (GUI) controls displayed on the screen or Internet service tasks (e.g., search, browsing, etc.), which may be performed by the electronic apparatus **100**.

Further, the control unit **140** displays on the display unit **193** the first voice guide information to guide voice command to control the electronic apparatus **100** in the voice task mode. As used herein, the 'voice task mode' is the operation mode in which the electronic apparatus **100** is controlled in accordance with the input user's voice command, following the voice start command which is input into the voice input unit **110**. That is, in the voice task mode, once the voice start command is input through the voice input unit **110**, the electronic apparatus **100** is controlled in accordance with the input user's voice command. In addition, instead of a voice start command, another type of user command can be used to start the voice task mode. Another type of user command may include an input of a specific button on the remote control, input of a specific button on the electronic apparatus **100**, or a user's specific motion, etc.

Then if a user's command to control an external device connected to the electronic apparatus **100** is input, the control unit **140** controls the display unit **193** to change the currently-displayed first voice guide information to second voice guide information. To be specific, a plurality of voice guide information may be stored at the storage unit **130**, and the control unit **140** may search the plurality of voice guide information and read out the second voice guide information corresponding to the external device, and display the read second voice guide information on the display unit **193**. Several voice guide information correspond to each electronic apparatus **100** and to several external devices connected to electronic apparatus **100**. If the voice guide information which a user wishes to use to control an external device is not stored in the storage unit **130**, it may be received through the external terminal input unit **160** and/or the network interface **180**.

The first and second voice guide information may include different voice commands. By way of example, if the electronic apparatus **100** is a TV, the first voice guide information may include a voice command regarding power control, a voice command regarding operating an external device, a voice command regarding channel setting, or a voice command regarding volume setting. If the external device is one of a DVD player and a BD player, the second voice guide information may include a voice command regarding a TV power control, a voice command regarding an external device power control, a voice command regarding an external device function execution.

To be specific, if the first voice guide information is displayed, and if the voice command included in the first voice guide information is input, the control unit **140** controls the electronic apparatus **100** in accordance with the input voice command.

However, if the second voice guide information is displayed and if the voice command included in the second voice guide information is input through the voice input unit **110**, the control unit **140** may generate a control signal corresponding to the input voice command and transmit the generated control signal to the external device via an external terminal input unit **160**.

If a relay device which is used for communicating to the electronic apparatus **100** and to the external device exists, and if the voice command included in the second voice guide information is input through the voice input unit **110**, the control unit **140** may generate a control signal corresponding to the input voice command and transmit the generated control signal to the external device through the relay device. Herein, the relay device and the electronic apparatus **100** may communicate through the network interface **180**, the relay device and the external device may also communicate through a wireless network interface. In this case, the generated control signal may be transmitted from the electronic apparatus **100** to the relay device by Bluetooth communication, and the relay device may be implemented by converting the transmitted control signal into an Infrared (IR) signal and transmit the control signal to the external device. The wireless network interface which is used in communicating the relay device and the external device may include Radio Frequency (RF) communication interface besides the IR communication interface, the RF communication interface may be used Near Field Communication (NFC) communication interface, Zigbee communication interface, and Bluetooth communication interface, etc.

The interface between the relay device and the electronic apparatus **100**, and the interface between the relay device and the external device are not limited to the interface described above. These interfaces may be implemented as a wired/wireless communication interface or as various types of two-way communication interfaces. Especially, if an existing interface which is used in external device remote control for communicating between the relay device and the external device is used, it may be used to implement in controlling the external device through a voice command which is input through the electronic apparatus **100** in an exemplary embodiment and a user's motion.

The process of providing the voice guide information depending on the connected external device will be explained in greater detail below with reference to FIGS. 4 to 7.

FIG. 2 is a block diagram of the electronic apparatus **100** according to another aspect of an exemplary embodiment. Referring to FIG. 2, the electronic apparatus **100** may include a voice input unit **110**, a motion input unit **120**, a storage unit **130**, a control unit **140**, a broadcast receiving unit **150** (e.g., a tuner, a broadcast receiver, etc.), an external terminal input unit **160** (e.g., an external input, etc.), a remote control signal receiving unit **170** (e.g., remote control receiver, etc.), a network interface unit **180** (e.g., a network interface card, etc.), and an image output unit **190** (e.g., an image input device, camera, etc.). Referring to FIG. 2, the electronic apparatus **100** may be implemented as a set-top box, smart TV, etc.

Since the voice input unit **110**, the storage unit **130**, and the control unit **140** have been explained above with reference to FIG. **1**, repetitive explanation thereof will be omitted for the sake of brevity.

The broadcast receiving unit **150** receives an external broadcast signal in a wired or wireless manner. The broadcast signal may include video, audio and additional data (e.g., EPG, metadata, etc.). The broadcast receiving unit **150** may receive the broadcast signal from a variety of types broadcast signals including terrestrial broadcasting, cable broadcasting, satellite broadcasting, or internet broadcasting.

The external terminal input unit **160** may receive image data (e.g., video, photo, etc.) or audio data (e.g., music, etc.) from a source external to the electronic apparatus **100**. The external terminal input unit **160** may include at least one of a High-Definition Multimedia Interface (HDMI) input terminal **161**, a component input terminal **162**, a PC input terminal **163**, or a USB input terminal **164**. The remote control signal receiving unit **170** may receive a remote control signal from outside the remote controller. The remote control signal receiving unit **170** may receive the remote control signal when the electronic apparatus **100** is in voice task mode or motion task mode. Remote control signal receiving unit **170** may be implemented using a wired or wireless communication interface, or as a one-way or a two-way communication interface.

The network interface unit **180** may connect the electronic apparatus **100** to an external device (e.g., server, another electronic apparatus) under control of the control unit **140**. The control unit **140** may control the external device to download an application from the external device connected via the network interface unit **180** to provide an internet service such as web browsing to a user, or to receive image data, audio data, and text data from an external apparatus. The network interface unit **180** may be implemented as a wired or wireless communication interface, or as various types of two-way communication interfaces. For example, the network interface unit **180** may be at least one of Ethernet **181**, wireless LAN **182**, and Bluetooth **183**.

The image output unit **190** may output an external broadcast signal received through the broadcast receiving unit **150**, or data input at the external terminal input unit **160**, or data stored at the storage unit **130**, or data received through the network interface **180** to an external electronic apparatus (e.g., monitor, TV, speaker, etc.). In addition, if the electronic apparatus **100** is equipped with the display or a speaker, etc., the output unit **190** may output through the display or the speaker, etc.

FIG. **3** is a block diagram of the electronic apparatus **100** according to another aspect of an exemplary embodiment. Referring to FIG. **3**, the electronic apparatus **100** may include a voice input unit **110**, a motion input unit **120**, a storage unit **130**, a control unit **140**, a broadcast receiving unit **150**, an external terminal input unit **160**, a remote control signal receiving unit **170**, a network interface unit **180**, a display unit **193** and an audio output unit **196**. The electronic apparatus **100** may be a digital TV, but not limited thereto.

Since the voice input unit **110**, the motion input unit **120**, the storage unit **130**, the control unit **140**, the broadcast receiving unit **150**, the external terminal input unit **160**, the remote control signal receiving unit **170**, the network interface unit **180**, the display unit **193** are identical to those with the same reference numerals explained above with reference to FIGS. **1** and **2**, the detailed explanation thereof will be omitted for the sake of brevity.

The audio output unit **196** outputs sound corresponding to the broadcast signal, or outputs sound received through the network interface **180**, under control of the control unit **140**. The audio output unit **196** (e.g., audio output, speaker, etc.) may include at least one of a speaker **196a**, a headphone output terminal **196b** or S/PDIF output terminal **196c**.

The storage unit **130** may include a power control module **130a**, a channel control module **130b**, a volume control module **130c**, an external input control module **130d**, a screen control module **130e**, an audio control module **130f**, an internet control module **130g**, an application module **130h**, a search control module **130i**, a UI processing module **130j**, a voice recognition module **130k**, a motion recognition module **130l**, a voice database **130m**, and a motion database **130n**. The modules **130a** to **130n** may be implemented as software to perform the functions of power control, channel control, volume control, external input control, screen control, audio control, internet control, application execution, search control, or UI processing. The control unit **140** may perform a corresponding function by executing the software stored at the storage unit **130**.

As explained above, each control module **130a** to **130n** may be implemented not only by executing the software stored in the storage unit **130**, but also by implementing each in separate hardware.

According to the connected external device, an exemplary embodiment which offers voice guide information will be explained in detail with reference to FIGS. **4** to **7**.

The control unit **140** receives a broadcast signal from an external broadcast station via the broadcast receiving unit **150**, and performs signal-processing on the received broadcast signal. Referring to FIG. **4**, the control unit **140** then displays the signal-processed broadcast image **400** on the display unit **193** and outputs the signal-processed broadcast sound through the audio output unit **196**.

In response to a voice start command input through the voice input unit **110**, the control unit **140** perceives the voice start command and thus changes to the voice task mode. As used herein, the 'voice start command' refers to a user command to start the voice task mode in which the electronic apparatus **100** is controlled by the voice command as input to the voice input unit **110**. Another type of user command may be used to start the voice task mode in replace of the voice start command. Another type of user command may include input of a specific button on the remote control, input of a specific button on the electronic apparatus **100**, a user's specific motion, etc.

In the voice task mode, the control unit **140** displays first voice guide information **500** to perform the voice task mode (see FIG. **5**). The first voice guide information **500** may be displayed on the bottom of the displayed broadcast image. The first voice guide information **500** may include an icon **510** indicating the current mode of the display apparatus to be in voice task mode and a plurality of voice commands **521** to **526**, and **530** guiding the user voice commands. The plurality of voice commands may include power-off voice command **521**, an external input voice command **522**, a fast channel change voice command **523**, a channel up/down voice command **524**, a volume up/down voice command **525**, a silencing voice command **526**, and a MORE voice command **530**. By using the MORE voice command **530**, the user may view more voice commands than those currently displayed. One will understand that, other than the voice commands of the first voice guide information **500** listed above, the voice commands may include additional voice commands (e.g., channel list voice command, etc.).

With the first voice guide information displayed, if the voice command “Universal Control” is input into the voice input unit **110**, the control unit **140** displays third voice guide information **600** to select the external device to be controlled (see FIG. 6). The third voice guide information **600** may include an icon **610** indicating that the current mode of the display device is voice task mode and a plurality of voice commands **621** to **625**, **630** guiding the user’s voice. The plurality of voice commands may include Watch TV voice command **621**, Watch Video voice command **622**, TV voice command **623**, set-top box (STB) voice command **624**, Blue-ray disk player (BD) voice command **625**, and MORE voice command **630**. However, one will understand that, other than the voice commands of the third voice guide information **600** listed above, the voice commands may include additional voice commands (e.g., DVD player voice command, USB voice command, etc.).

With the third voice guide information displayed, if a user’s voice “BD” is input through the voice input unit **110**, the control unit **140** may control the BD by using the user’s voice. The control unit **140** then searches the plurality of voice guide information stored in the storage unit **130** for the voice guide information to control the BD, and then displays the voice guide information to control the BD as in FIG. 7.

That is, for the broadcast reception, the control unit **140** may display the first voice guide information **500** as illustrated in FIG. 5. However, when selected to external device to be controlled, the control unit **140** changes the displayed voice guide information to the second voice guide information as illustrated in FIG. 7. The second voice guide information **700** includes an icon **710** to indicate that the current mode of the display device is voice task mode, and a plurality of voice commands **721** to **726**, **730** to guide the user’s voice. The plurality of voice commands include a power-off voice command **721**, an external input voice command **722**, a playback (pause) voice command **723**, a previous file voice command **724**, a next file voice command **725**, or a volume up/down voice command **726**. However, the second voice guide information **700** is not limited to the voice commands listed above. Accordingly, the second voice guide information **700** may include additional voice commands such as fast-forward voice command, rewind voice command, etc.

As explained above, since different voice guide information is provided depending on the type of the selected external device, the user is able to control the electronic apparatus more conveniently and efficiently.

An exemplary embodiment above explains a situation in which the electronic apparatus **100** may select a BD as an external device to be controlled in accordance with the voice command, however this example is only for illustrative purpose. In another aspect of exemplary embodiment, the electronic apparatus **100** may select the BD using a remote control, or the like.

Although it is assumed that different voice guide information is provided in accordance with the type of the selected external device, this is written only for illustrative purpose. Accordingly, different motion guide information may be provided in the motion task mode in accordance with the type of the selected external device.

A control method of an electronic apparatus will be explained below with reference to FIG. 8 according to an exemplary embodiment.

The electronic apparatus **100** changes to the voice task mode (S810). Specifically, if a voice start command is input through the voice input unit **110** of the electronic apparatus **100**, the electronic apparatus **100** changes the control mode

to the voice task mode in which the electronic apparatus **100** is controlled in accordance with the user’s voice.

In the voice task mode, the electronic apparatus **100** displays the first voice guide information (S820). To perform broadcast reception, the electronic apparatus **100** may include voice commands to control the broadcast reception function. By way of example, the first voice guide information may include a voice command for channel setting.

The electronic apparatus **100** determines if a user’s command to control an external device is input (S830). The user’s command may be the user’s voice command as explained above with reference to FIG. 6, or a command issued through the external input change buttons provided on the remote control operated in association with the electronic apparatus **100**.

If the user’s command to control external device is input (S830—Y), the electronic apparatus **100** changes the first voice guide information and thus displays the second voice guide information (S840). In this case, a user can select the type of the external device, and if the external device is Blue-ray (BD) player or DVD player, the voice command for channel setting disappears from the second voice guide information, and voice commands for image playback (e.g., voice command to playback/stop, voice command for next file playback, etc.) may appear. If the user’s command is not a command to control external device (S830—N), the first voice guide information remains displayed (S820).

As explained above, since different voice guide information is displayed depending on the type of the selected external device, the user is able to control the connected external device using voice recognition more conveniently and intuitively.

Although the electronic apparatus **100** is connected directly to the external device through the external terminal input unit **160** in an exemplary embodiment explained above, this example is only illustrative. Accordingly, the technical concept of an exemplary embodiment may also be applicable to an example where not only the electronic apparatus **100** is connected to the external device using a relay device which is connected via the network interface unit **180** but also the electronic apparatus **100** is connected to the external device using both the external terminal input unit **160** and the relay device. To be specific, the system **10** illustrated in FIG. 9 may include the electronic apparatus **100**, the relay device **200** and the external device **300**, in which the electronic apparatus **100** may be connected to the external device **300** via the relay device **200**.

Specifically, if a user’s voice, corresponding to the voice command, contained in the second voice guide information is input through the voice input unit **110**, the electronic apparatus **100** generates a control signal corresponding to the voice command as input. The electronic apparatus **100** then transmits the control signal to the relay device **200** using the Bluetooth communication of the network interface unit **180**. If the control signal is transmitted, the relay device **200** converts the received control signal into IR signal form and transmits the converted signal to the external device **300**. On receiving the IR signal, the external device **300** demodulates the IR signal and is controlled in accordance with the voice command input to the electronic apparatus **100**.

The interface between the relay device and the electronic apparatus **100**, and the interface between the relay device and the external device are not limited to the interfaces described above. These interfaces may be implemented using a wired/wireless communication interface or using various types of two-way communication interfaces.

13

Program codes executed by a computer or processor to perform a control method according to various exemplary embodiments may be recorded on various types of recording media. Specifically, the program codes may be recorded on a variety of recording media readable on a terminal, such as, RAM (Random Access Memory), Flash memory, ROM (Read Only Memory), EPROM (Erasable Programmable ROM), EEPROM (Electrically Erasable and Programmable ROM), register, hard disk, removable disk, memory card, USB memory, or CD-ROM.

The foregoing embodiments and advantages are merely exemplary and are not to be construed as limiting the inventive concept. The present teachings can be readily applied to other types of apparatuses. Also, the description of the exemplary embodiments of the present inventive concept is intended to be illustrative, and not to limit the scope of the claims, and many alternatives, modifications, and variations will be apparent to those skilled in the art.

What is claimed is:

1. A method for controlling an electronic apparatus, the method comprising:

displaying a content and first voice guide information indicating voice commands available to control the electronic apparatus;

receiving a command to display second voice guide information corresponding to a plurality of external devices connected to the electronic apparatus;

in response to the received command, displaying the second voice guide information including a plurality of voice commands corresponding to the plurality of external devices while the content is displayed;

receiving a voice command corresponding to an external device of the plurality of external devices; and

in response to the received voice command, displaying third voice guide information indicating voice commands available to control the external device corresponding to the received voice command while the content is displayed.

2. The method of claim 1, further comprising searching a plurality of voice guide information stored in the electronic apparatus to find the third voice guide information that corresponds to the external device.

3. The method of claim 1, wherein the electronic apparatus is a television, and the first voice guide information comprises at least one of a voice command regarding power control, a voice command regarding operating the external device, a voice command regarding a channel setting, and a voice command regarding a volume setting, and

wherein the external device is one of a digital versatile disc player and a Blu-ray disc player, the third voice guide information comprises at least one of a voice command regarding power control of the external device, a voice command regarding operating the external device, and a voice command regarding a playback setting of the external device.

4. The method of claim 1, further comprising:

[if the first voice guide information is displayed, and if] based on a first voice command contained in the first voice guide information [is] being received while the first voice guide information is displayed, controlling the electronic apparatus according to the first voice command; and

[if the third voice guide information is displayed, and if] based on a third voice command contained in the third voice guide information [is] being received while the third voice guide information is displayed, generating a

14

control signal corresponding to the third voice command and transmitting the generated control signal to the external device.

5. The method of claim 1, further comprising:

[if the third voice guide information is displayed, and if] based on a voice command corresponding to one of the voice commands included in the third voice guide information [is] being received while the third voice guide information is displayed, generating a control signal corresponding to the voice command; and

wirelessly transmitting the generated control signal to a relay device which transmits the generated control signal to the external device.

6. The method of claim 5, wherein the generated control signal is transmitted to the relay device by using Bluetooth communication, and

wherein the relay device converts the transmitted control signal into an infrared (IR) signal and transmits the converted IR signal to the external device.

7. The method of claim 1, wherein the first voice guide information and the second voice guide information each include an icon which indicates that an operation mode of the electronic apparatus is a voice control mode.

8. The method of claim 1, wherein the first voice guide information and the second voice guide information are displayed on a bottom of a screen on which content is displayed on the electronic apparatus.

9. The method of claim 1, wherein the command is a voice command received through a voice input device to control the external device.

10. An electronic apparatus comprising:

an external device interface;

a voice input unit which receives a command;

a display; and

a [controller] processor which controls the display to display a content and first voice guide information indicating voice commands available to control the electronic apparatus, in response to receiving a command to display second voice guide information corresponding to a plurality of external devices connected to the electronic apparatus via the external device interface, display the second voice guide information including a plurality of voice commands corresponding to the plurality of external devices while the content is displayed, and in response to a command to select an external device of the plurality of external devices, display third voice guide information indicating voice commands available to control the external device corresponding to the received voice command while the content is displayed.

11. The electronic apparatus of claim 10, further comprising:

a [storage unit] memory which stores a plurality of voice guide information, wherein the [controller] processor searches the plurality of stored voice guide information of the [storage unit] memory to find the third voice guide information corresponding to the external device.

12. The electronic apparatus of claim 10, wherein the electronic apparatus is a television, and the first voice guide information comprises at least one of a voice command regarding power control, a voice command regarding operating the external device, a voice command regarding a channel setting, and a voice command regarding a volume setting, and

wherein the external device is one of a digital versatile disc player and a Blu-ray disc player, the third voice guide information comprises at least one of a voice

15

command regarding power control of the external device, a voice command regarding operating the external device, and a voice command regarding a playback setting of the external device.

13. The electronic apparatus of claim 10, further comprising:

an external terminal input [unit] *terminal* which connects the electronic apparatus to the external device, wherein, [if the first voice guide information is displayed, and if] *based on* a first voice command contained in the first voice guide information [is] *being received while the first voice guide information is displayed*, the [controller] processor controls the electronic apparatus according to the first voice command, and

[if the third voice guide information is displayed, and if] *based on* a third voice command contained in the third voice guide information [is] *being received while the third voice guide information is displayed*, the [controller] processor generates a control signal corresponding to the third voice command and transmits the generated control signal to the external device.

14. The electronic apparatus of claim 10, further comprising:

a network interface [unit] *card* which performs communication with a relay device that communicates with the external device,

wherein [if the third voice guide information is displayed, and if] *based on* a voice command corresponding to one of the voice commands included in the third voice guide information [is] *being received while the third voice guide information is displayed*, the [controller] processor generates a control signal corresponding to the voice command, and wirelessly transmits the generated control signal to the relay device to transmit to the external device.

15. The electronic apparatus of claim 14, wherein the generated control signal is transmitted to the relay device by using Bluetooth communication, and the relay device converts the transmitted control signal into an infrared (IR) signal and transmits the converted IR signal to the external device.

16. The electronic apparatus of claim 10, wherein the first voice guide information and the second voice guide information each include an icon which indicates that an operation mode of the electronic apparatus is a voice control mode.

[17. The electronic apparatus of claim 10, wherein the first voice guide information and the second voice guide information are displayed on a bottom of a screen on which content is displayed on the electronic apparatus.]

[18. The electronic apparatus of claim 10, wherein the command is a voice command received through the voice input device to control the external device.]

19. A method for controlling a device, the method comprising:

displaying a content and first voice guide information including a plurality of first commands to control the device and a second command to display second voice guide information corresponding to a plurality of external devices connected to the device;

receiving the second command;

in response to receiving the second command, displaying the second voice guide information including a plurality of voice commands corresponding to the plurality of external devices while the content is displayed;

16

receiving a voice command of the plurality of voice commands corresponding to [the] an external device; and

in response to the received command, displaying third voice guide information indicating voice commands available to control the external device corresponding to the received command while the content is displayed.

20. An electronic apparatus comprising:

a voice input unit which receives a command; a display; and

a processor which controls the display to display a content and first voice guide information indicating voice commands available to control the electronic apparatus, in response to receiving a command to display second voice guide information corresponding to a plurality of external devices connected to the electronic apparatus, display the second voice guide information including a plurality of voice commands corresponding to the plurality of external devices while a content is displayed, and in response to receiving a command to select an external device of the plurality of external devices, display third voice guide information indicating voice commands available to control the external device corresponding to the received voice command while a content is displayed.

21. The electronic apparatus of claim 20, further comprising:

wherein based on a voice command corresponding to one of the voice commands included in the third voice guide information being received while the third voice guide information is displayed, the processor generates a control signal corresponding to the voice command, and transmits the generated control signal to the external device.

22. The electronic apparatus of claim 20, further comprising:

a memory which stores a plurality of voice guide information, wherein the processor searches the plurality of stored voice guide information of the memory to find the third voice guide information corresponding to the external device.

23. The electronic apparatus of claim 20, wherein the electronic apparatus is a television, and the first voice guide information comprises at least one of a voice command regarding power control, a voice command regarding operating the external device, a voice command regarding a channel setting, and a voice command regarding a volume setting, and

wherein the external device is one of a digital versatile disc player and a Blu-ray disc player, the third voice guide information comprises at least one of a voice command regarding power control of the external device, a voice command regarding operating the external device, and a voice command regarding a playback setting of the external device.

24. The electronic apparatus of claim 20, further comprising:

an external terminal input terminal which connects the electronic apparatus to the external device, wherein based on a first voice command contained in the first voice guide information being received while the first voice guide information is displayed, the processor controls the electronic apparatus according to the first voice command, and

based on a third voice command contained in the third voice guide information being received while the third

17

voice guide information is displayed, the processor generates a control signal corresponding to the third voice command and transmits the generated control signal to the external device.

25. The electronic apparatus of claim 20, further comprising:

a network interface card which performs communication with a relay device that communicates with the external device,

wherein based on a voice command corresponding to one of the voice commands included in the third voice guide information being received while the third voice guide information is displayed, the processor generates a control signal corresponding to the voice command, and wirelessly transmits the generated control signal to the relay device to transmit to the external device.

26. The electronic apparatus of claim 25, wherein the generated control signal is transmitted to the relay device by using Bluetooth communication, and the relay device converts the transmitted control signal into an infrared (IR) signal and transmits the converted IR signal to the external device.

27. The electronic apparatus of claim 20, wherein the first voice guide information and the second voice guide infor-

18

mation each include an icon which indicates that an operation mode of the electronic apparatus is a voice control mode.

28. An electronic apparatus comprising:

a display; and

a processor which controls the display to display a content and first voice guide information indicating voice commands available to control the electronic apparatus, in response to receiving a command to display second voice guide information corresponding to a plurality of external devices connected to the electronic apparatus via the external device interface, display the second voice guide information including a plurality of voice commands corresponding to the plurality of external devices while the content is displayed, and in response to a command to select an external device of the plurality of external devices, display third voice guide information indicating voice commands available to control the external device corresponding to the received voice command while the content is displayed.

* * * * *