



US00RE50196E

(19) **United States**  
(12) **Reissued Patent**  
**Gosselin et al.**

(10) **Patent Number: US RE50,196 E**  
(45) **Date of Reissued Patent: Nov. 5, 2024**

(54) **DESKTOP LASER CUTTER**

(71) Applicant: **Glowforge Inc.**, Seattle, WA (US)  
(72) Inventors: **Mark Gosselin**, Seattle, WA (US);  
**Anna-Pia Slothower**, Sausalito, CA (US);  
**Erich Slothower**, Sausalito, CA (US);  
**John Plunkett**, Sausalito, CA (US)  
(73) Assignee: **Glowforge Inc.**, Seattle, WA (US)

(21) Appl. No.: **29/856,963**  
(22) Filed: **Oct. 18, 2022**

**Related U.S. Patent Documents**

Reissue of:

(64) Patent No.: **Des. 850,528**  
Issued: **Jun. 4, 2019**  
Appl. No.: **29/586,721**  
Filed: **Dec. 6, 2016**

U.S. Applications:

(62) Division of application No. 29/540,496, filed on Sep. 24, 2015, now Pat. No. Des. 827,705.

(51) **LOC (14) Cl.** ..... **18-04**  
(52) **U.S. Cl.**  
USPC ..... **D18/34.3**; D18/50  
(58) **Field of Classification Search**  
USPC ..... D18/36, 43, 39, 47, 34.3, 50, 56, 59;  
D9/414, 419, 430, 431; D14/498, 500;  
D23/364, 365; D15/127

(Continued)

(56) **References Cited**

**U.S. PATENT DOCUMENTS**

2,654,794 A 10/1953 Zaugg  
D197,096 S \* 12/1963 Gugelot ..... D18/36  
(Continued)

**OTHER PUBLICATIONS**

Chua, Mike. "Dremel Unveils "First-of-its-kind" Desktop Digilab Laser Cutter". Sep. 25, 2017, 3pages. [retrieved on Oct. 24, 2017]. Retrieved from Internet: URL: <https://mikesounds.com/the-dremel-digilab-laser-cutter/>.

(Continued)

*Primary Examiner* — Philip S Hyder

(74) *Attorney, Agent, or Firm* — LEE SULLIVAN SHEA & SMITH LLP

(57) **CLAIM**

The ornamental design for a desktop laser cutter, as shown and described.

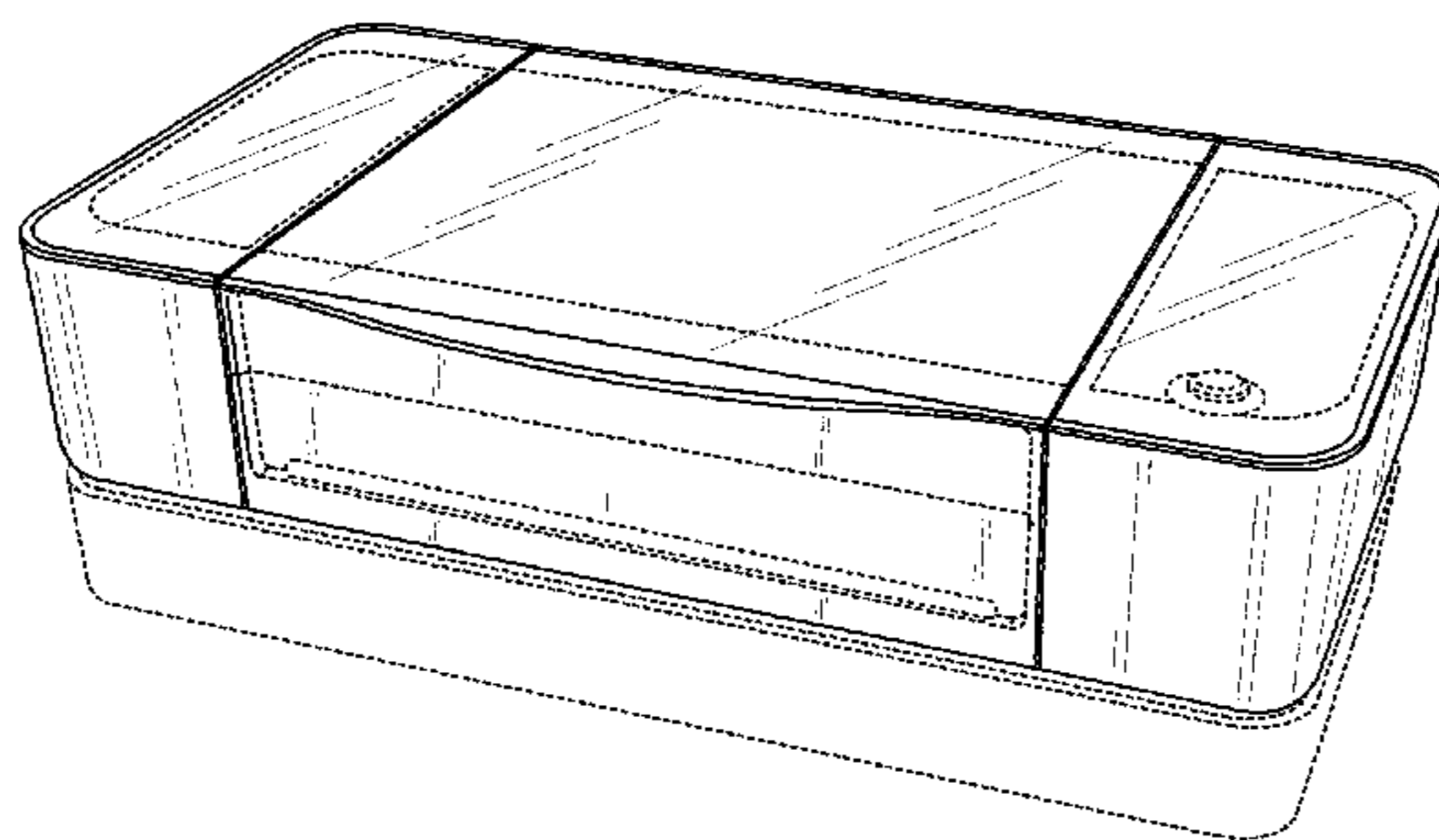
**DESCRIPTION**

FIG. 1 is a top-left perspective view showing an embodiment of the desktop laser cutter;  
FIG. 2 is a right side elevational view thereof;  
FIG. 3 is a left side elevational view thereof;  
FIG. 4 is a front elevational view thereof;  
FIG. 5 is a rear elevational view thereof;  
FIG. 6 is a top plan view thereof; and  
FIG. 7 is a bottom plan view thereof.  
FIG. 8 is a top-left perspective view showing a second embodiment of the combined desktop laser cutter and filter;  
FIG. 9 is a right side elevational view thereof;  
FIG. 10 is a left side elevational view thereof;  
FIG. 11 is a front elevational view thereof;  
FIG. 12 is a rear elevational view thereof;  
FIG. 13 is a top plan view thereof; and  
FIG. 14 is a bottom plan view thereof.

The broken lines in the drawings illustrate environment and portions of the desktop laser cutter, which form no part of the claimed design.

**1 Claim, 14 Drawing Sheets**

**Matter enclosed in heavy brackets [ ] appears in the original patent but forms no part of this reissue; matter printed in italics indicates the additions made by reissue.**



(58) **Field of Classification Search**

CPC .. B23K 26/38; B23K 37/0276; B23K 26/362;  
B23K 26/0823; B23K 26/042; B23K  
26/128; G03G 15/0836; G03G 15/0837;  
G03G 15/0867; G03G 15/0832; G03G  
15/0834; G03G 15/0877; G03G 15/0868;  
G03G 15/50; G03G 15/0872; G03G  
15/0898; G03G 15/5016; G03G 15/60;  
G03G 15/65

See application file for complete search history.

(56) **References Cited**

U.S. PATENT DOCUMENTS

D241,821 S	10/1976	Jewell	
4,192,062 A	3/1980	Balde et al.	
D264,791 S	6/1982	Conti	
4,387,949 A	6/1983	Haitmanek	
4,463,998 A	8/1984	Reavis et al.	
D281,247 S	11/1985	Lahey et al.	
D286,639 S	11/1986	Strand	
D290,091 S	6/1987	Ware et al.	
D293,082 S	12/1987	Butler	
4,723,857 A	2/1988	Yokoi	
D295,186 S	4/1988	Hadtke	
D336,918 S	6/1993	Yonezawa et al.	
D343,754 S	2/1994	Pierce et al.	
5,694,295 A	12/1997	Mochizuki et al.	
D413,919 S	9/1999	Kobayashi et al.	
D439,608 S	3/2001	Gassett et al.	
D462,087 S *	8/2002	Dwyer	D18/55
D465,600 S	11/2002	Dolan	
D468,765 S	1/2003	Kobayashi et al.	
6,580,388 B1 *	6/2003	Stoyanov	G01S 7/411 342/192
D488,352 S	4/2004	Tisdale et al.	
D489,754 S	5/2004	Akahane et al.	
D491,220 S	6/2004	Whitehorn et al.	
D493,913 S	8/2004	Kwok	
D501,503 S	2/2005	Leong et al.	
D519,151 S *	4/2006	Tashiro	D18/54
D523,841 S *	6/2006	Van Kastel	D14/188
D536,373 S *	2/2007	Inoue et al.	D18/55
D544,907 S	6/2007	Tjin Wong Joe et al.	
D552,167 S	10/2007	Lee et al.	
D558,266 S	12/2007	Falk	
D558,822 S *	1/2008	Smith	D18/55
D562,126 S	2/2008	Kienemund-Paroll	
D574,360 S *	8/2008	Matsuoka	D14/168
D575,635 S	8/2008	Rozenzweig	
D585,427 S *	1/2009	Lee	D14/204
D589,876 S	4/2009	Hong et al.	
D599,736 S *	9/2009	Ferber	D13/108
D603,894 S	11/2009	Yamano et al.	
D607,506 S	1/2010	Kim et al.	
D610,589 S	2/2010	Chia et al.	
D614,234 S *	4/2010	Ishikawa	D18/55
7,784,782 B2	8/2010	Cook et al.	
D624,639 S *	9/2010	Dilorenzo	D23/365
D641,395 S *	7/2011	Park	D18/55
D643,301 S	8/2011	Consylman	
D649,236 S	11/2011	Bilko et al.	
D661,346 S	6/2012	Suzuki et al.	
D665,445 S	8/2012	Emmenegger et al.	
D666,088 S	8/2012	Anderson et al.	
D667,050 S	9/2012	Takeuchi	
D669,473 S *	10/2012	Gronau	D14/420
D670,885 S *	11/2012	Merrick	D99/37
D674,010 S	1/2013	Nanno	

D681,107 S	4/2013	Larson et al.	
D682,329 S *	5/2013	Day	D15/146
D684,465 S	6/2013	Vernon et al.	
D699,726 S	2/2014	Seki et al.	
D700,840 S	3/2014	Vernon et al.	
D706,269 S *	6/2014	Qian	D14/422
D708,229 S	7/2014	Onoue et al.	
D716,428 S *	10/2014	Farone	D23/364
8,909,085 B2 *	12/2014	Short	G03G 15/6552 399/81
D723,562 S	3/2015	Inada et al.	
D727,328 S *	4/2015	Nanno	D14/421
D727,790 S	4/2015	Ramadan	
D730,942 S *	6/2015	Wong	D14/203.1
D735,310 S *	7/2015	Drew	D23/365
D735,723 S *	8/2015	He	D14/422
D736,709 S	8/2015	Byrne et al.	
D744,031 S	11/2015	Tanaka et al.	
9,278,553 B2	3/2016	Nakano et al.	
9,301,031 B2	3/2016	Gengler et al.	
D754,787 S	4/2016	Yoshioka et al.	
D757,164 S	5/2016	Hiraga	
9,332,667 B2	5/2016	Namba	
D761,903 S	7/2016	Matsumoto	
D765,772 S	9/2016	Clark, III et al.	
D766,359 S	9/2016	Takahashi	
D767,940 S	10/2016	Gross et al.	
D768,768 S *	10/2016	Takahashi	D18/50
D770,565 S *	11/2016	Tanaka	D18/50
D777,248 S *	1/2017	Oguchi	D18/50
D781,955 S *	3/2017	Kim	D18/50
D786,348 S *	5/2017	Mita	D18/56
D786,964 S	5/2017	Clark, III et al.	
D792,508 S *	7/2017	Nakagawa	D18/50
D795,338 S *	8/2017	Umezawa	D18/34.3
9,771,233 B2 *	9/2017	Miura	B65H 31/02
D799,590 S *	10/2017	Dwyer	D18/50
D799,593 S *	10/2017	Kim	D18/55
D800,212 S *	10/2017	Nanno	D18/19
D809,593 S	2/2018	Tashima	
D827,705 S *	9/2018	Gosselin	D18/34.3
D849,834 S	5/2019	Gosselin et al.	
2003/0180058 A1	9/2003	Alegria et al.	
2009/0310997 A1	12/2009	Lee et al.	
2011/0019347 A1	1/2011	Imai	
2013/0108317 A1	5/2013	Tsuchiya	

OTHER PUBLICATIONS

You Tube. "Mr Beam's laser cutter", May 8, 2017, 1 page. [retrieved on Oct. 24, 2017], Retrieved from the Internet: URL: <<https://www.youtube.com/watch?v=8goXAmSncZE>>.

Youtube. "Meet the Glowforge 3D Laser Printer", Sep. 24, 2015, 1 page. [retrieved on Jul. 24, 2017], Retrieved from the Internet: URL: <<https://www.youtube.com/watch?v=0R3mMUshFvU>>.

Youtube. "Full Spectrum Muse Hobby Laser", May 6, 2017, 1 page. [retrieved on Jul. 24, 2017], Retrieved from the Internet: URL: <<https://www.youtube.com/watch?v=SEF6k-Zsl5A>>.

Youtube. "Epilog Mini 18 Laser Engraver Unboxing Video", Mar. 1, 2015, 1 page. [retrieved on Jul. 24, 2017], Retrieved from the Internet: URL: <[https://www.youtube.com/watch?v=EcyPL\\_3J8Mc](https://www.youtube.com/watch?v=EcyPL_3J8Mc)>.

Youtube. "Full Spectrum Laser Pro Series CO2", Jun. 28, 2016, 1 page. [retrieved on Jul. 24, 2017], Retrieved from the Internet: URL: <<https://www.youtube.com/watch?v=gJthUfZHA0w>>.

Mike Shouts—Laser Cutter, announced Sep. 25, 2017 [online], [site visited Oct. 24, 2017]. Available from internet, URL: <<https://mikesounds.com/the-dremel-digilab-laser-cutter/>>.\*

\* cited by examiner

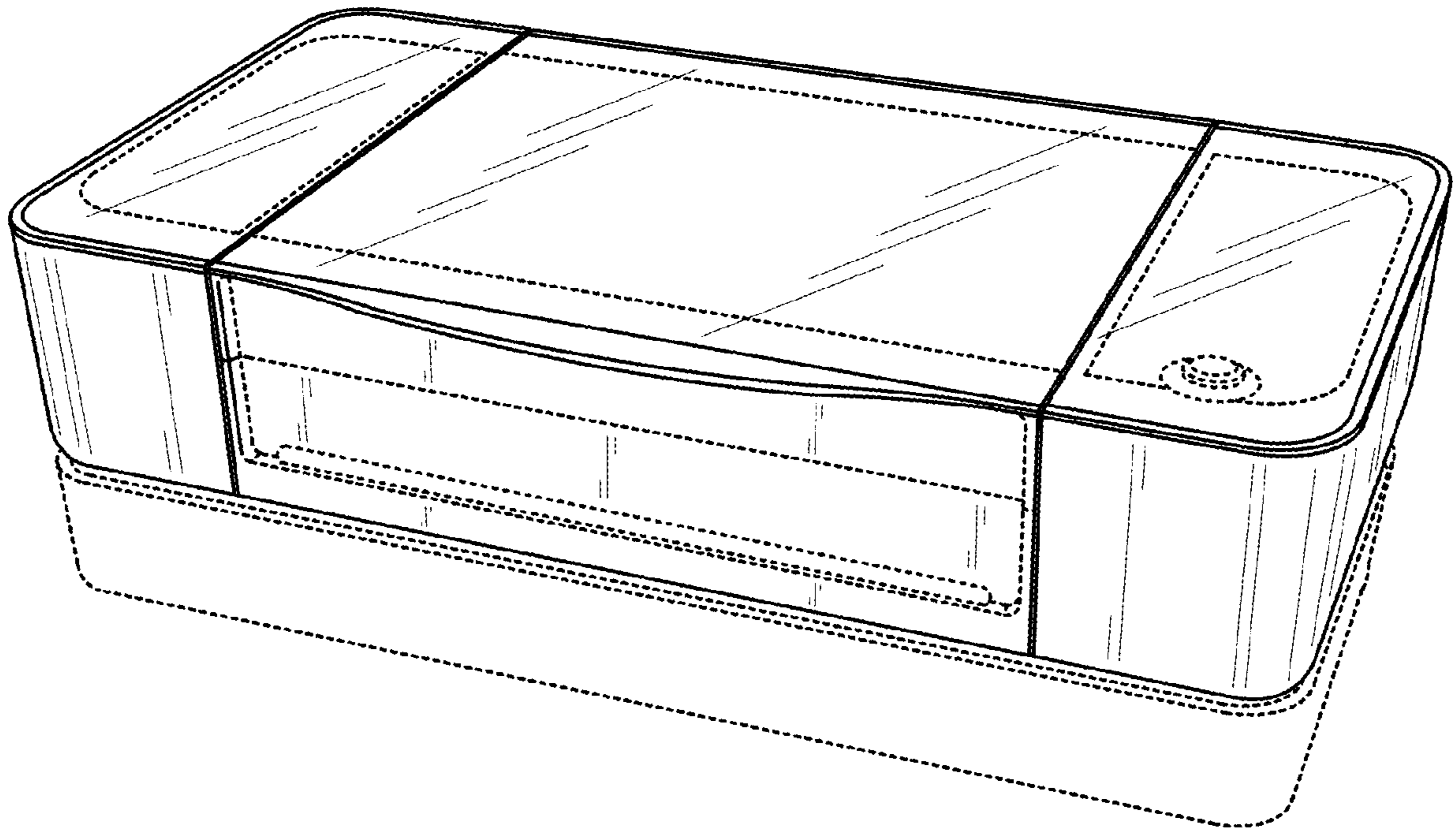
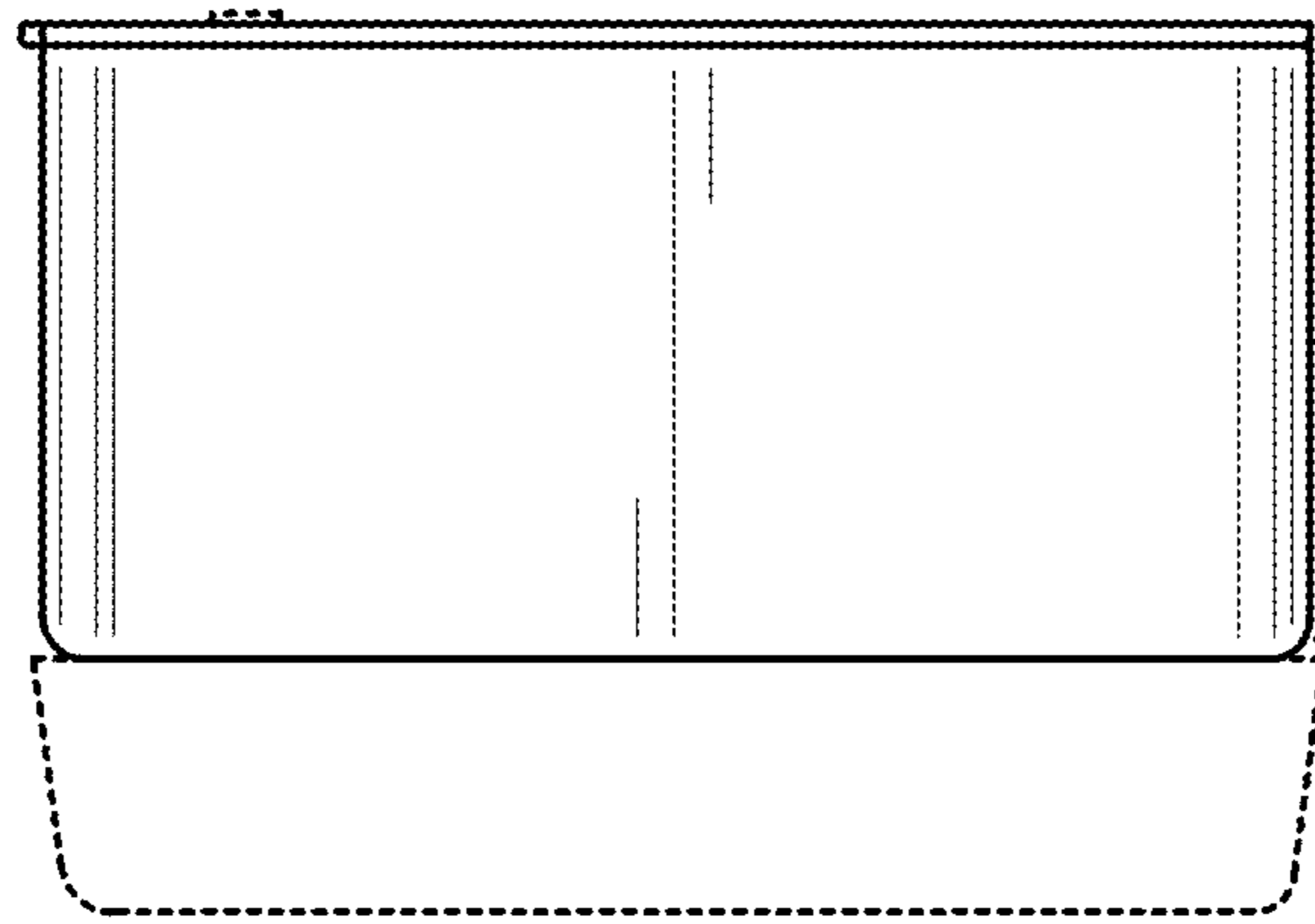
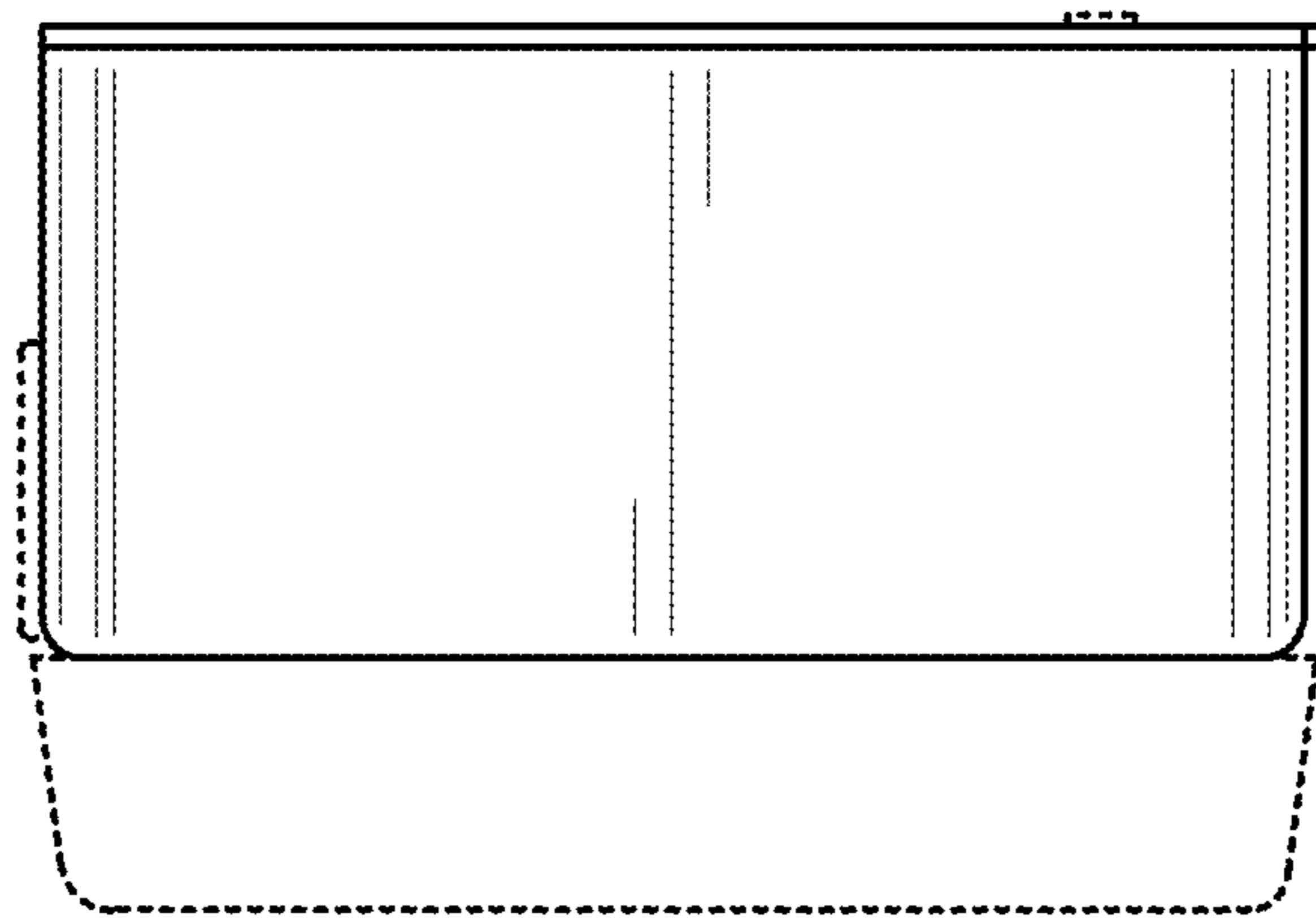


FIG. 1  
(AMENDED)



**FIG. 2**  
(AMENDED)



**FIG. 3**  
(AMENDED)

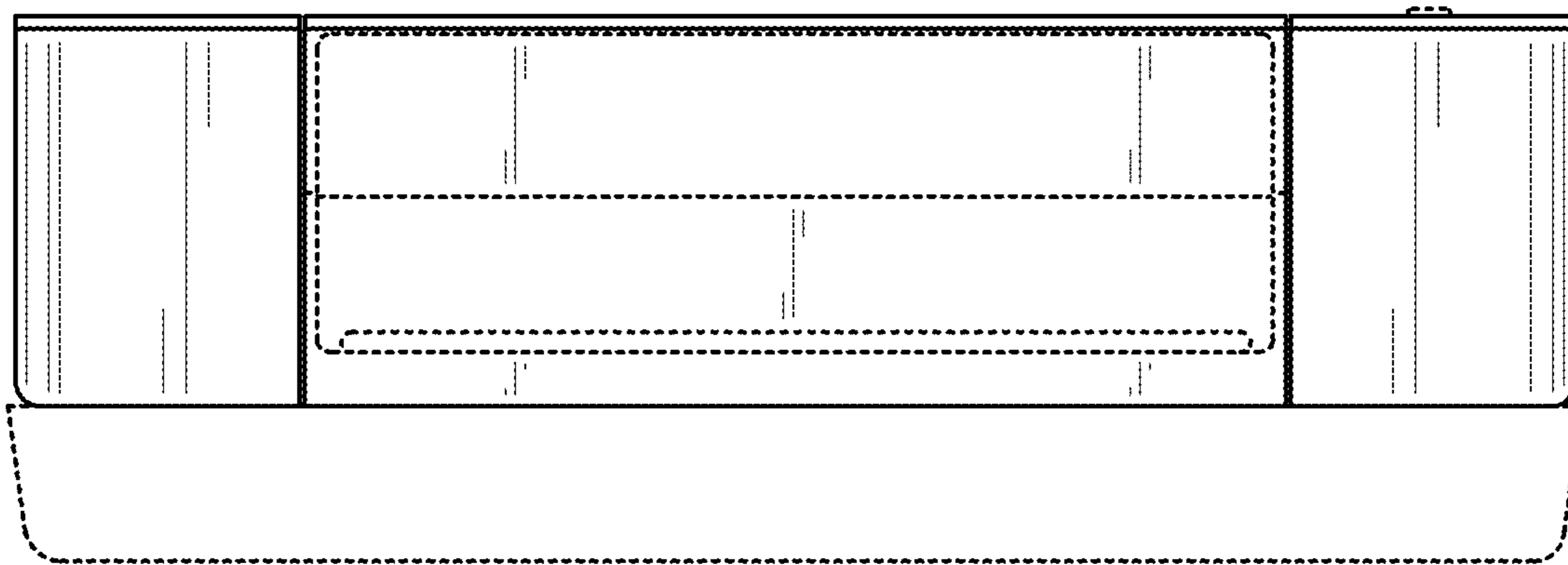
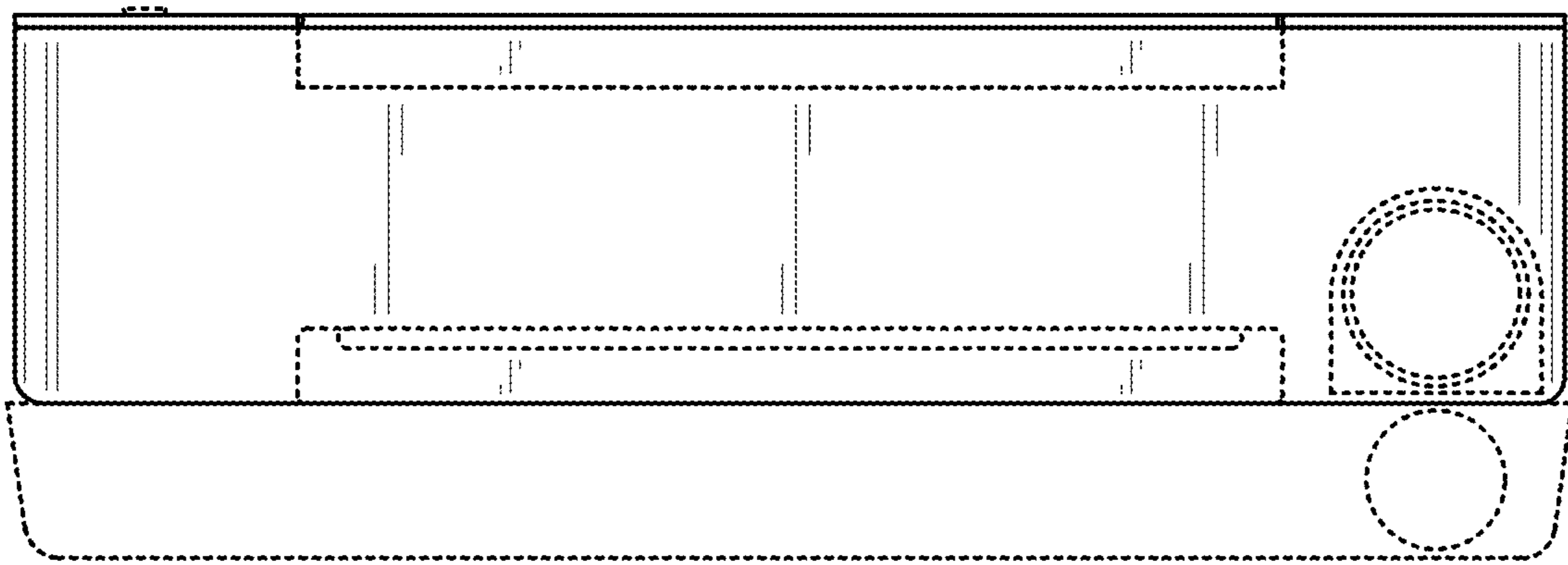
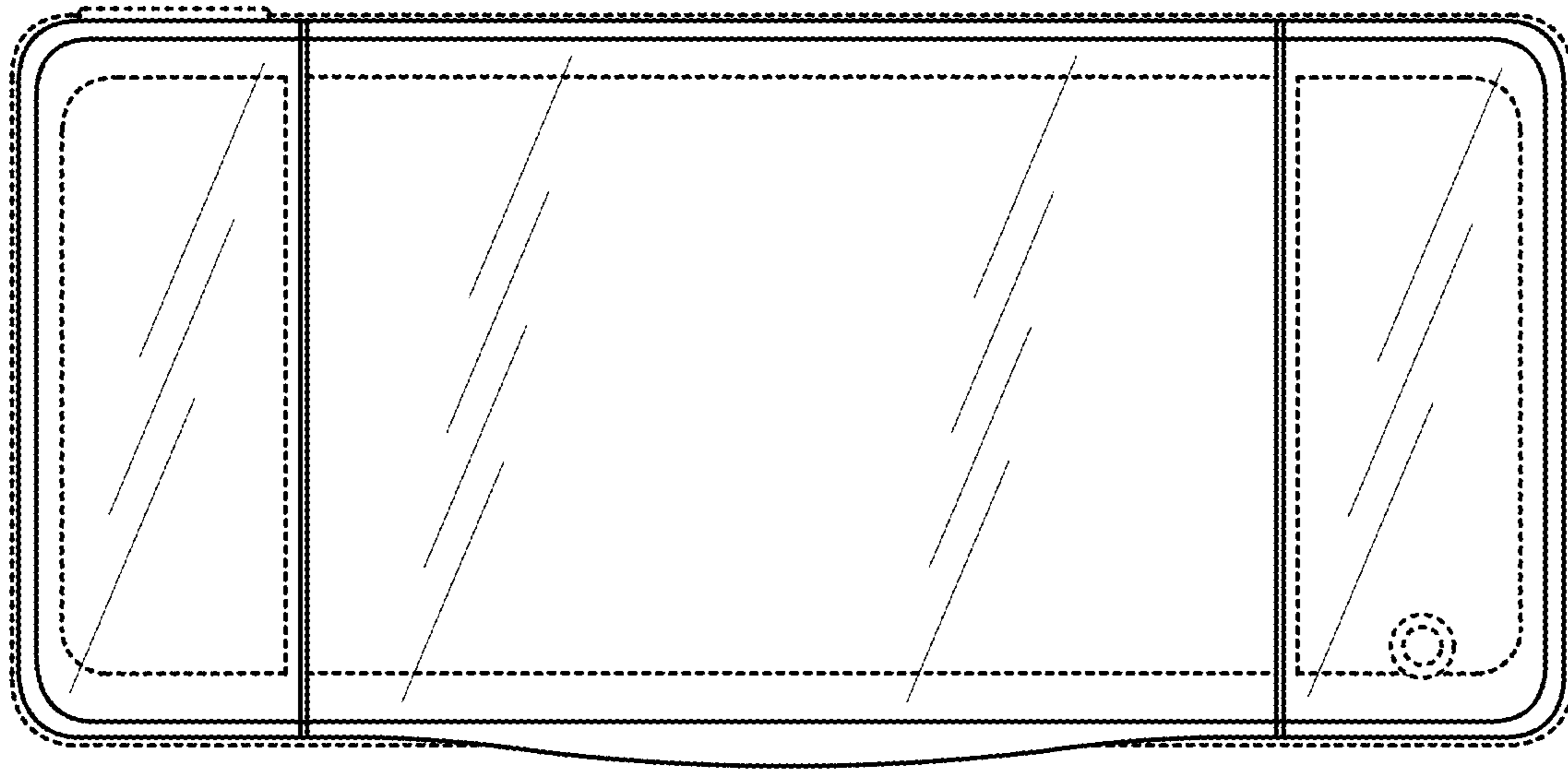


FIG. 4  
(AMENDED)

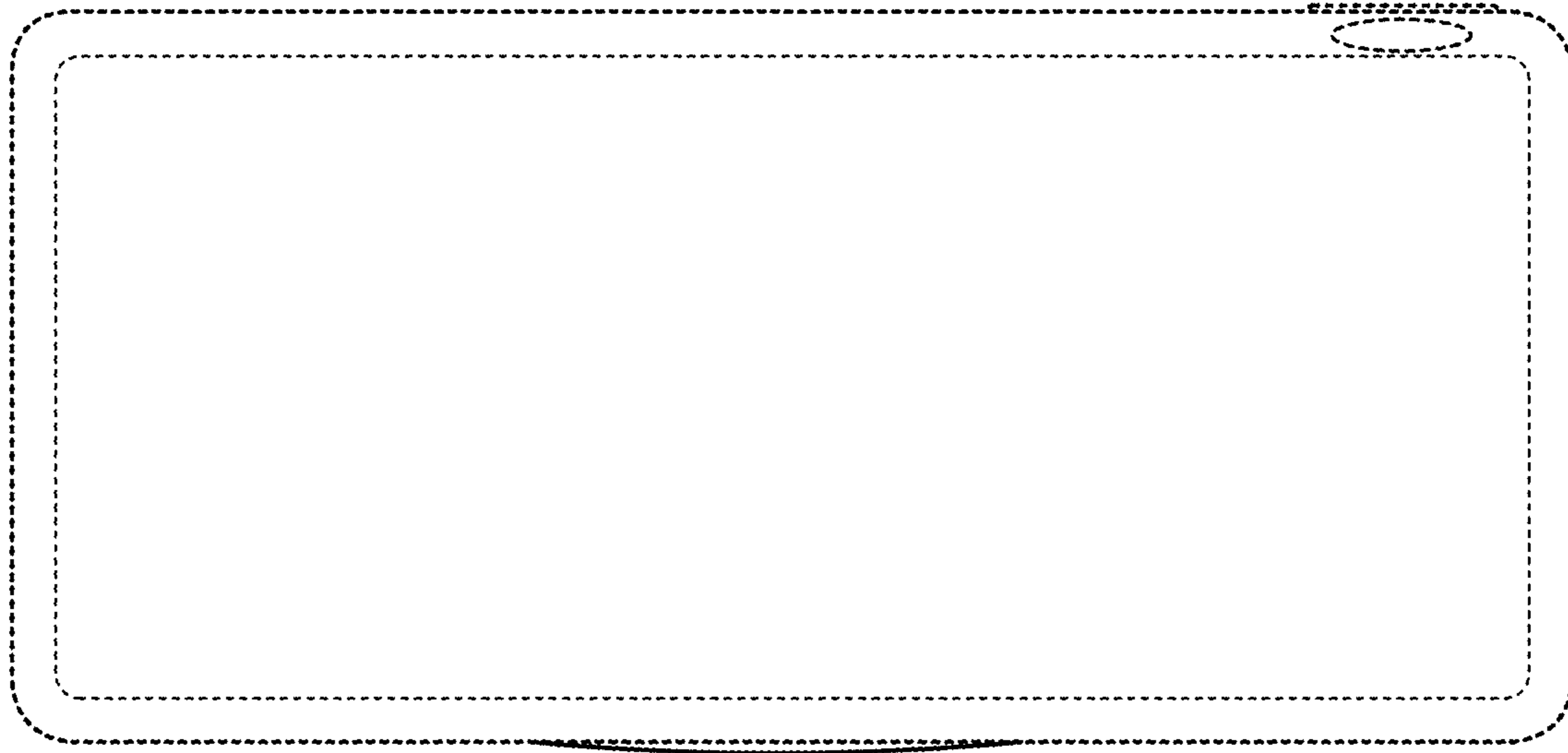


**FIG. 5**  
(AMENDED)

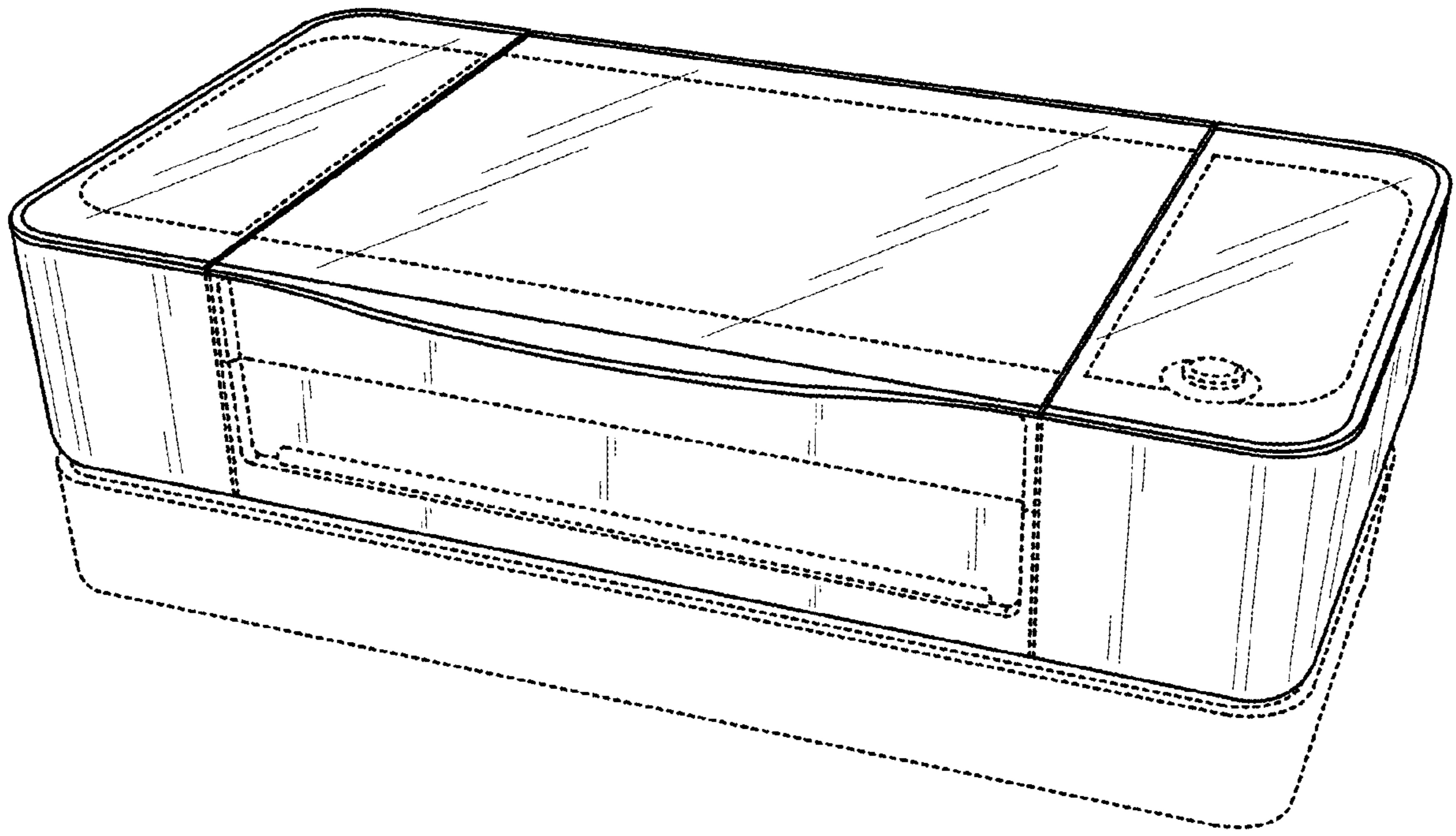


**FIG. 6**  
(AMENDED)

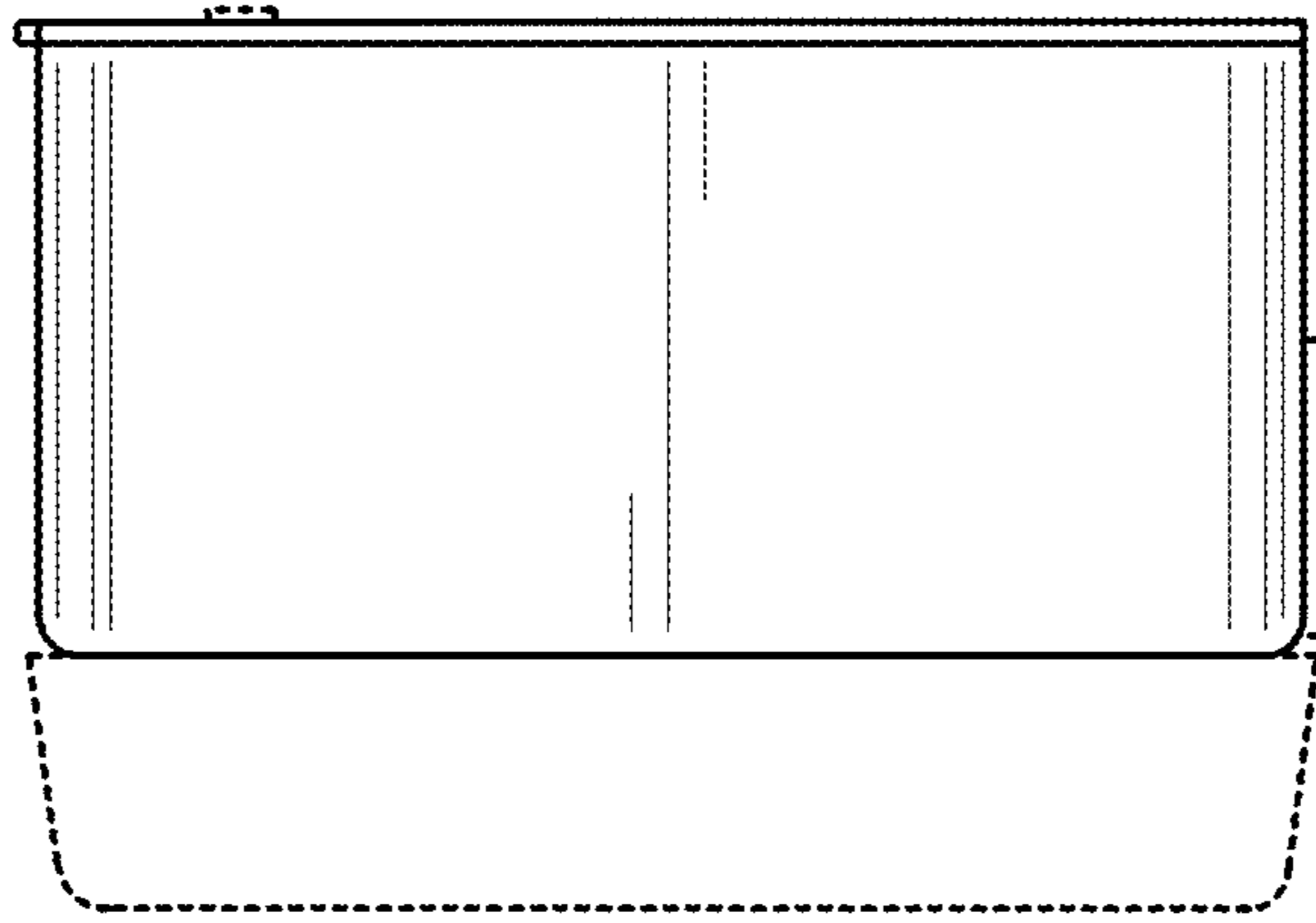




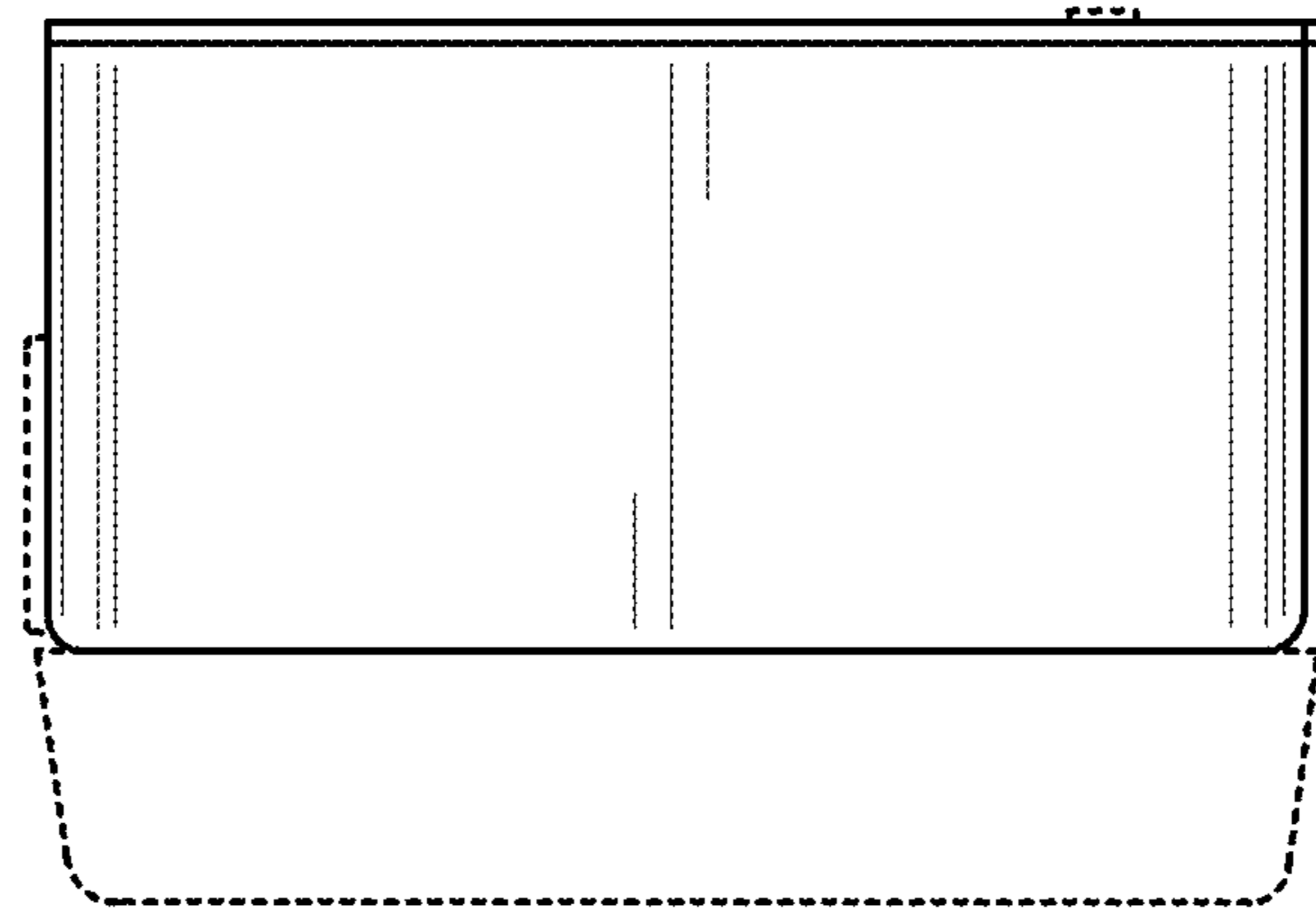
**FIG. 7**  
(AMENDED)



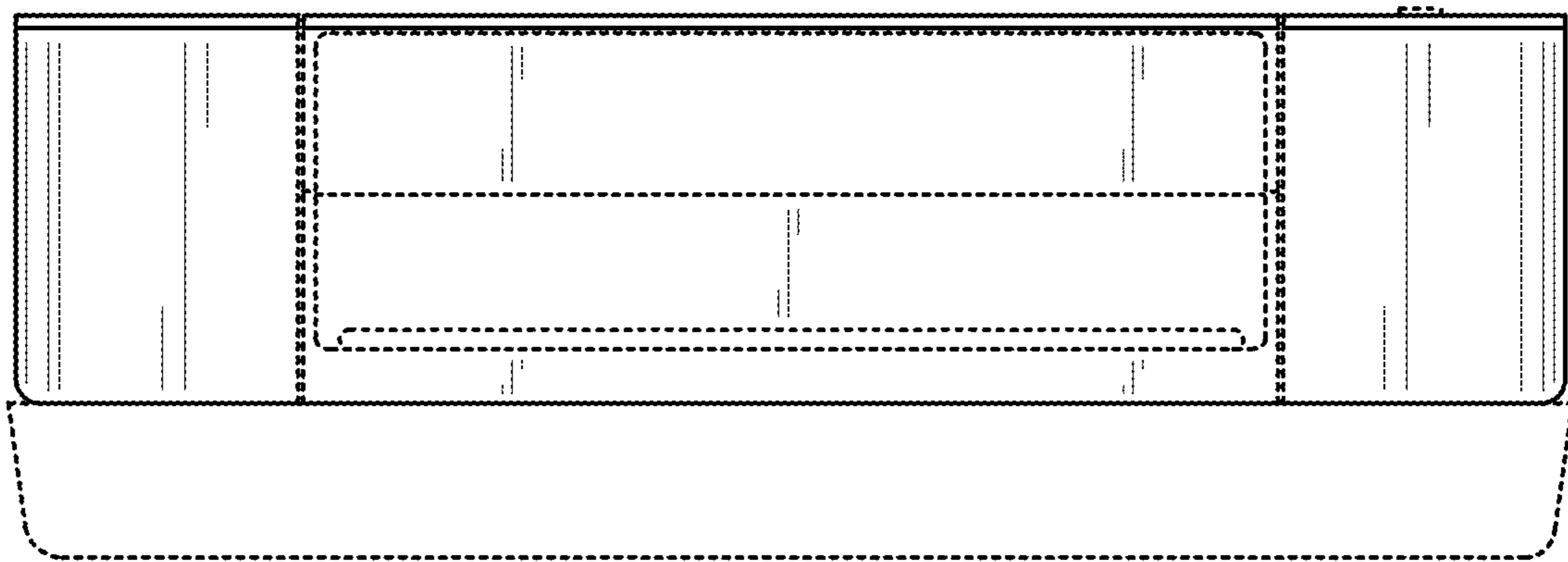
**FIG. 8**  
(AMENDED)



**FIG. 9**  
(AMENDED)



**FIG. 10**  
(AMENDED)



**FIG. 11**  
(AMENDED)

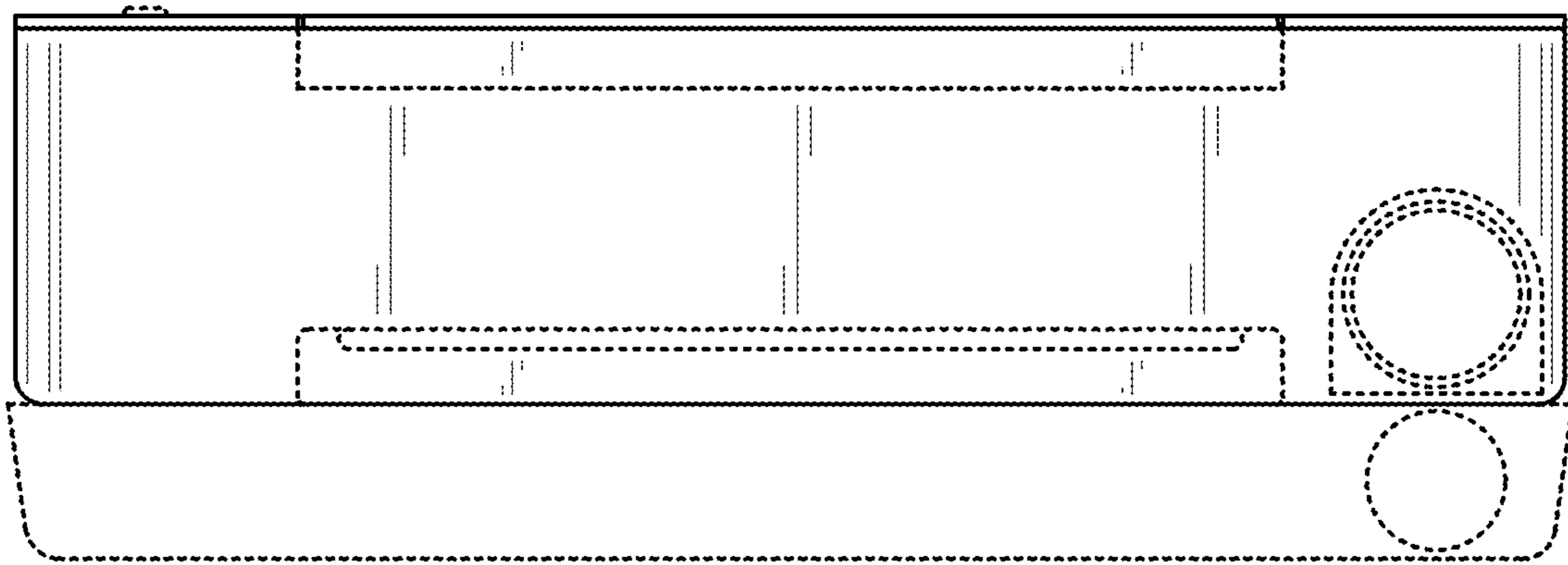
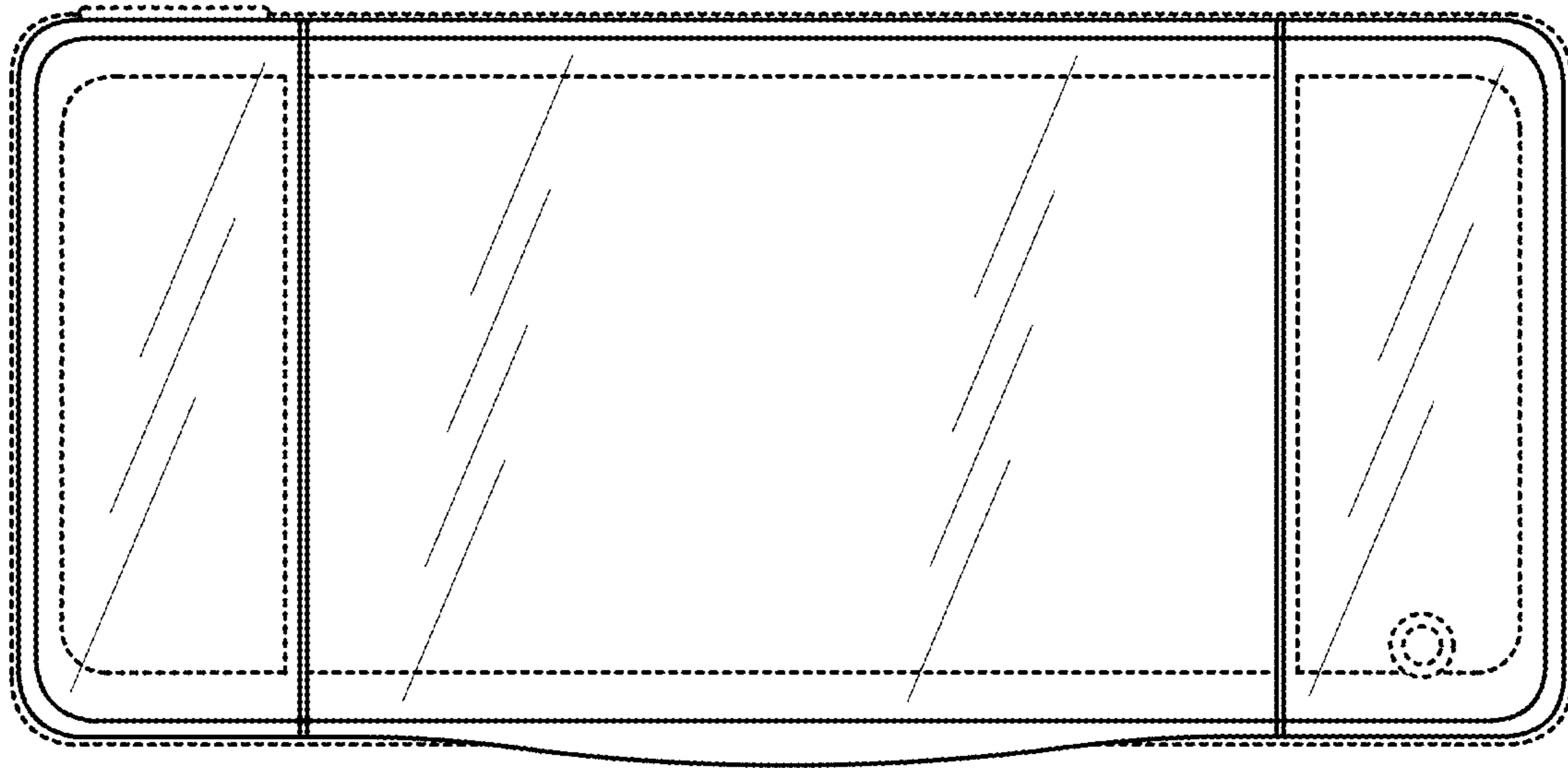
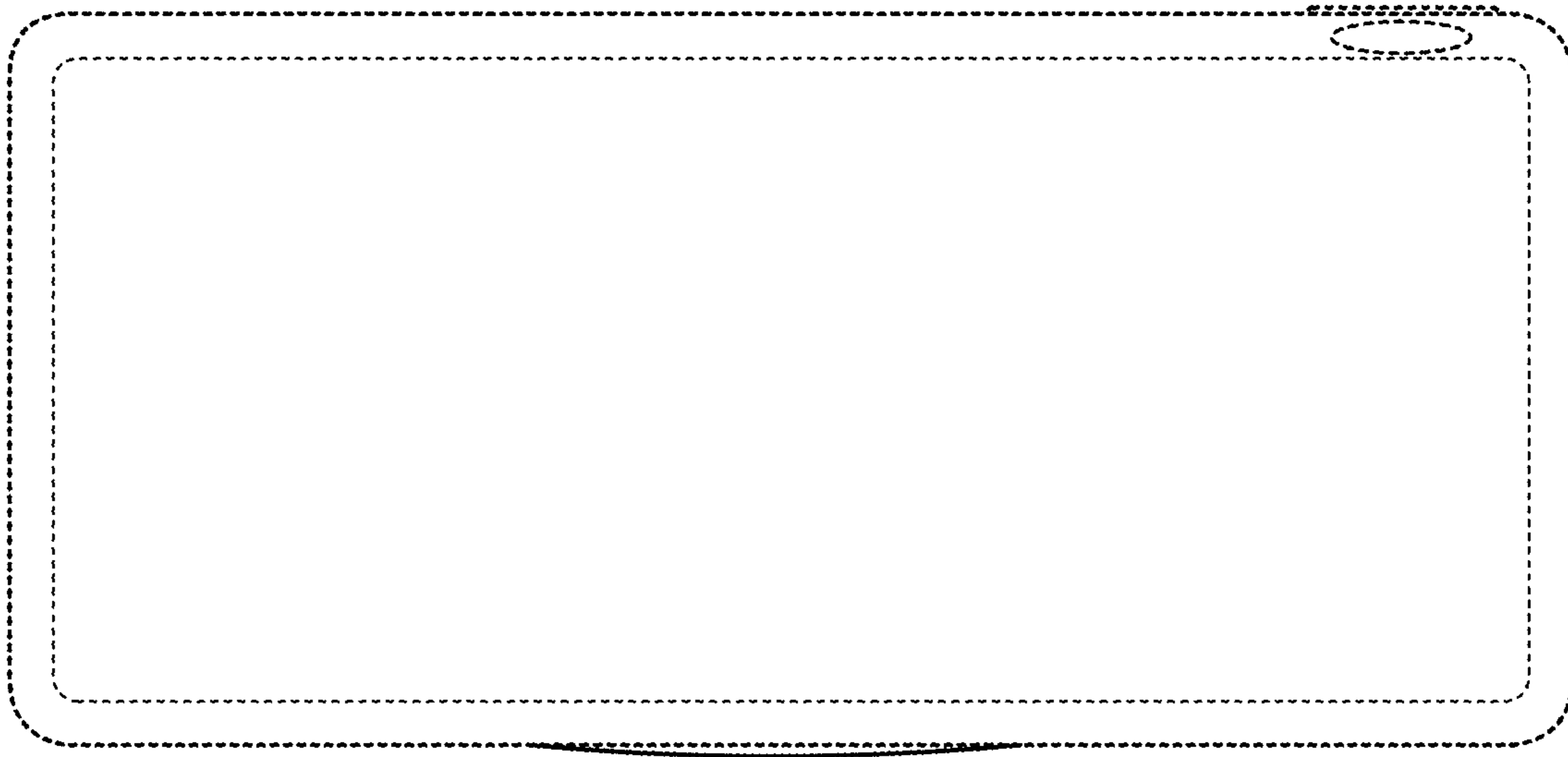


FIG. 12  
(AMENDED)



**FIG. 13**  
(AMENDED)



**FIG. 14**  
(AMENDED)