

US00RE50095E

(19) **United States**  
(12) **Reissued Patent**  
**Brill et al.**

(10) **Patent Number: US RE50,095 E**  
(45) **Date of Reissued Patent: Aug. 27, 2024**

(54) **SEMI-ROUND FLOOR DRAIN**

OTHER PUBLICATIONS

(71) Applicant: **INFINITY DRAIN LTD.**, Amityville, NY (US)  
(72) Inventors: **Jonathan Brill**, Amityville, NY (US); **Bhash Ramkarran**, Amityville, NY (US); **Alan Trink**, Amityville, NY (US)

Infinity Drain CDI 22 2" Clamp Down Drain, Cast Iron, [https://www.amazon.com/Infinity-Drain-Clamp-Down-Cast/dp/B008H85W1Y/ref=pd\\_day0\\_h1\\_60\\_5/143-5672237-2678107?encoding=UTF8&pd\\_rd\\_i=B008H85W1Y&pd\\_rd\\_r=b54ec78e-7d52-11e9-ae3-91e0c1ba0bc6&pd\\_rd\\_w=17K](https://www.amazon.com/Infinity-Drain-Clamp-Down-Cast/dp/B008H85W1Y/ref=pd_day0_h1_60_5/143-5672237-2678107?encoding=UTF8&pd_rd_i=B008H85W1Y&pd_rd_r=b54ec78e-7d52-11e9-ae3-91e0c1ba0bc6&pd_rd_w=17K) (Year: 2012).\*

(Continued)

(73) Assignee: **INFINITY DRAIN LTD.**, Amityville, NY (US)

*Primary Examiner* — Philip S Hyder

(74) *Attorney, Agent, or Firm* — F. Chau & Associates, LLC

(21) Appl. No.: **29/883,945**

(57) **CLAIM**

(22) Filed: **Feb. 6, 2023**

The ornamental design for a semi-round floor drain, as shown and described.

**Related U.S. Patent Documents**

**DESCRIPTION**

Reissue of:

(64) Patent No.: **Des. 890,307**  
Issued: **Jul. 14, 2020**  
Appl. No.: **29/637,886**  
Filed: **Feb. 22, 2018**

[FIG. 1 is a perspective view of a semi-round floor drain in accordance with the present invention;]  
[FIG. 2 is a top plan view thereof;]  
[FIG. 3 is a left elevational view thereof;]  
[FIG. 4 is a bottom elevational view thereof;]  
[FIG. 5 is a right elevational view thereof;]  
[FIG. 6 is a front elevational view thereof;]  
[FIG. 7 is a rear elevational view thereof.]

U.S. Applications:

(62) Division of application No. 29/831,857, filed on Mar. 23, 2022, which is an application for the reissue of Pat. No. Des. 890,307.

*FIG. 8 is a perspective view of a semi-round floor drain in accordance with the present invention;*  
*FIG. 9 is a top plan view thereof;*  
*FIG. 10 is a left elevational view thereof;*  
*FIG. 11 is a bottom elevational view thereof;*  
*FIG. 12 is a right elevational view thereof;*  
*FIG. 13 is a front elevational view thereof; and,*  
*FIG. 14 is a rear elevational view thereof.*

(51) **LOC (14) Cl.** ..... **23-01**  
(52) **U.S. Cl.**  
USPC ..... **D23/259**  
(58) **Field of Classification Search**  
USPC ..... D23/259, 260, 262, 265, 269, 303, 304;  
D8/349, 354

(Continued)

The broken lines shown in the drawings illustrate portions of the semi-round floor drain and screws used with the semi-round floor drain that form no part of the claimed design.

(56) **References Cited**

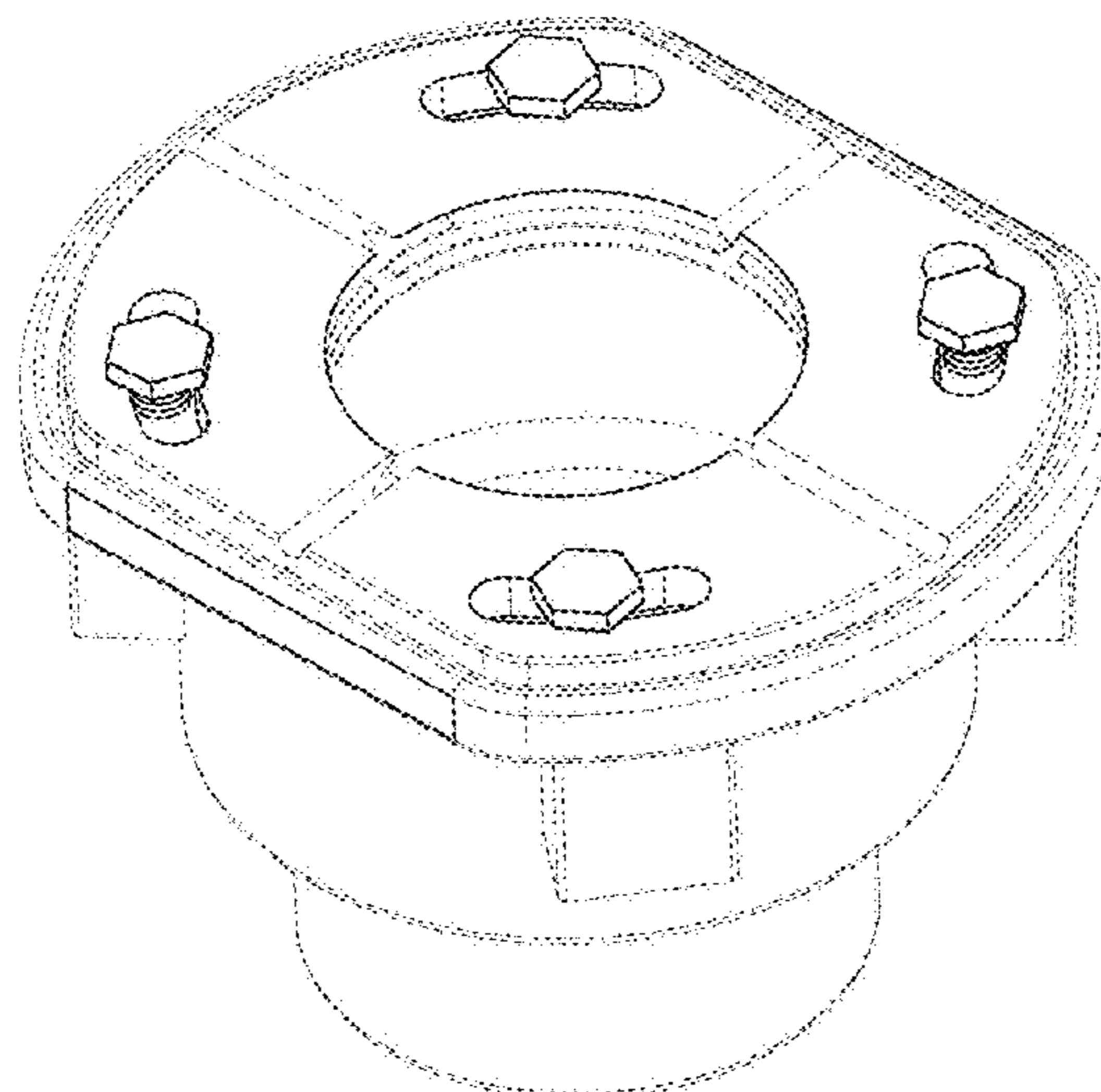
**1 Claim, 8 Drawing Sheets**

**U.S. PATENT DOCUMENTS**

2,803,348 A \* 8/1957 Bingham ..... E03F 5/06  
210/498  
4,146,939 A \* 4/1979 Izzi ..... E03F 5/0409  
4/286

(Continued)

**Matter enclosed in heavy brackets [ ] appears in the original patent but forms no part of this reissue; matter printed in italics indicates the additions made by reissue.**



(58) **Field of Classification Search**

CPC ..... E03C 1/22; A47K 3/405; E03F 5/0408;  
E03F 2005/0415; E03F 5/04; E03F 5/041;  
E03F 2005/0413

See application file for complete search history.

(56) **References Cited**

U.S. PATENT DOCUMENTS

4,233,697 A \* 11/1980 Cornwall ..... E03D 11/16  
4/293  
4,462,123 A \* 7/1984 Morris ..... E03F 5/0407  
4/286  
4,827,539 A \* 5/1989 Kiziah ..... E03D 11/16  
285/58  
4,984,308 A \* 1/1991 Handal ..... F16L 5/08  
4/252.6  
5,018,224 A \* 5/1991 Hodges ..... E03D 11/16  
4/DIG. 9  
5,115,554 A \* 5/1992 Fell, Sr. .... E03D 11/16  
285/58  
D334,051 S \* 3/1993 Fell, Sr. .... D23/262  
6,065,160 A \* 5/2000 Winn ..... E03D 11/16  
4/252.5  
D426,874 S \* 6/2000 Warshawsky ..... D23/241  
D447,224 S \* 8/2001 Barnum ..... D23/308  
6,408,918 B1 \* 6/2002 Hummell ..... B32B 38/1841  
156/391  
6,442,769 B1 \* 9/2002 Phillips ..... F16L 23/12  
4/252.4  
D506,668 S \* 6/2005 Black ..... D8/354  
D509,887 S \* 9/2005 Sutopo ..... D23/293.1  
D542,396 S \* 5/2007 Bates ..... D23/313  
7,309,443 B2 \* 12/2007 Kelty ..... C02F 1/325  
210/167.1  
D574,931 S \* 8/2008 Hughes ..... D23/262  
D579,092 S \* 10/2008 Cummings ..... D23/313  
7,624,759 B1 \* 12/2009 Ismert ..... E03C 1/22  
4/293  
D633,605 S \* 3/2011 Tanus ..... D23/308  
D641,459 S \* 7/2011 Corpuz, Jr. .... D23/313  
D647,181 S \* 10/2011 Kovach ..... D23/259  
D649,627 S \* 11/2011 Corpuz, Jr. .... D23/313  
8,336,127 B1 \* 12/2012 Butcher ..... E03D 11/16  
4/252.1  
D693,856 S \* 11/2013 Thompson ..... D15/28  
D699,821 S \* 2/2014 Beaudoin ..... D23/267  
D715,901 S \* 10/2014 Antoniello ..... D23/259  
D722,366 S \* 2/2015 Beaudoin ..... D23/261  
D722,679 S \* 2/2015 Beaudoin ..... D23/261  
D725,238 S \* 3/2015 Beaudoin ..... D23/261  
D729,354 S \* 5/2015 Kieper ..... D23/262  
D729,355 S \* 5/2015 Kieper ..... D23/262  
9,068,678 B2 \* 6/2015 Whitehead ..... F16L 23/024  
D739,507 S \* 9/2015 Watson ..... D23/262  
9,157,213 B2 \* 10/2015 Beaudoin ..... E05C 3/12  
9,187,887 B2 \* 11/2015 Coronado ..... F16L 47/32

D751,676 S \* 3/2016 Frick ..... F16L 37/0841  
D23/262  
D787,646 S \* 5/2017 Davis ..... D23/259  
D791,395 S \* 7/2017 Rashidi Doust ..... D26/113  
D814,267 S \* 4/2018 Verbowski ..... D8/354  
10,240,331 B1 \* 3/2019 Condon ..... E03D 11/16  
D883,449 S \* 5/2020 Newcomb ..... D23/259  
D900,980 S \* 11/2020 Newcomb ..... D23/259  
D927,655 S \* 8/2021 Coronado ..... D23/269  
11,186,977 B2 \* 11/2021 Lorkowski ..... E03D 11/16  
D948,587 S \* 4/2022 Dvorak ..... F04B 1/122  
D15/143  
2003/0093855 A1 \* 5/2003 Rendell ..... E03D 11/17  
4/252.4  
2003/0115814 A1 \* 6/2003 Nielsen ..... E03F 5/0406  
52/302.1  
2009/0145828 A1 \* 6/2009 Andrei ..... F04D 29/708  
210/167.1  
2010/0037376 A1 \* 2/2010 Hughes ..... E03D 11/16  
4/252.5  
2013/0067648 A1 \* 3/2013 Whitehead ..... E03D 11/16  
29/428  
2014/0255098 A1 \* 9/2014 Beaudoin ..... E05C 3/12  
405/36  
2015/0240468 A1 \* 8/2015 Zhou ..... E03D 11/16  
4/252.1  
2018/0073237 A1 \* 3/2018 Say ..... E03F 5/0411  
2019/0106874 A1 \* 4/2019 Brill ..... E03F 5/0408

OTHER PUBLICATIONS

Infinity Drain CDS 22 2" Clamp Down Drain,ABS, [https://www.amazon.com/Infinity-Drain-CDA-C1amp-Down/dp/B00LC196J0/ref=sr\\_1\\_99\\_sspacrid=36JJRZ9Y6R71X&keywords=infinity+drain&qid=1558612699&s=gateway&sprefix=infinity+drain%2Caps%2C141&sr=8-99-spons&psc=1](https://www.amazon.com/Infinity-Drain-CDA-C1amp-Down/dp/B00LC196J0/ref=sr_1_99_sspacrid=36JJRZ9Y6R71X&keywords=infinity+drain&qid=1558612699&s=gateway&sprefix=infinity+drain%2Caps%2C141&sr=8-99-spons&psc=1) (Year: 2017).  
Infinity Drain 2in. No Hub Platic Floor Drain ICDP22; Ferguson Website; Copyright 2019; Visited Online Oct. 10, 2019; [https://www.ferguson.com/product/infinity-drain-2-in-no-hub-plastic-floor-drain-icdp22/\\_R-4642315](https://www.ferguson.com/product/infinity-drain-2-in-no-hub-plastic-floor-drain-icdp22/_R-4642315) (Year: 2019).  
330-NL Assemblies; Lakeside Supply Company PDF p. 1; Posted online 3 years ago; 2016; Visited Online Oct. 10, 2019; <https://docplayer.net/23075283-Wade-specification-drainage-products.html> (Year: 2016).  
330-NL Assemblies; Lakeside Supply Company PDF p. 1; WayBack Internet Archive Date Aug. 16, 2017, Posted Online 11 months earlier Jul. 2016; Visited Online Oct. 10, 2019; <https://web.archive.org/web/20170816200644/https://docplayer.net/23075283-Wade-specification-drainage-products.html> (Year: 2016).  
Infinity Drain Throat ABS Clamp Down Drain Model CDA 22; Build.com website copyright date 2000-2019; Visited Online Oct. 10, 2019; <https://www.build.com/infinity-drain-cda-22/s1364853#overview>.  
Clamp Down Floor Drain CDI 22; Infinity Drain Website; Visited online Oct. 10, 2019; Wayback Internet Archive Date Dec. 19, 2016; [https://web.archive.org/web/20161219181902/http://infinitydrain.com/components-and-parts?component\\_type=parts](https://web.archive.org/web/20161219181902/http://infinitydrain.com/components-and-parts?component_type=parts) (Year: 2016).  
\* cited by examiner

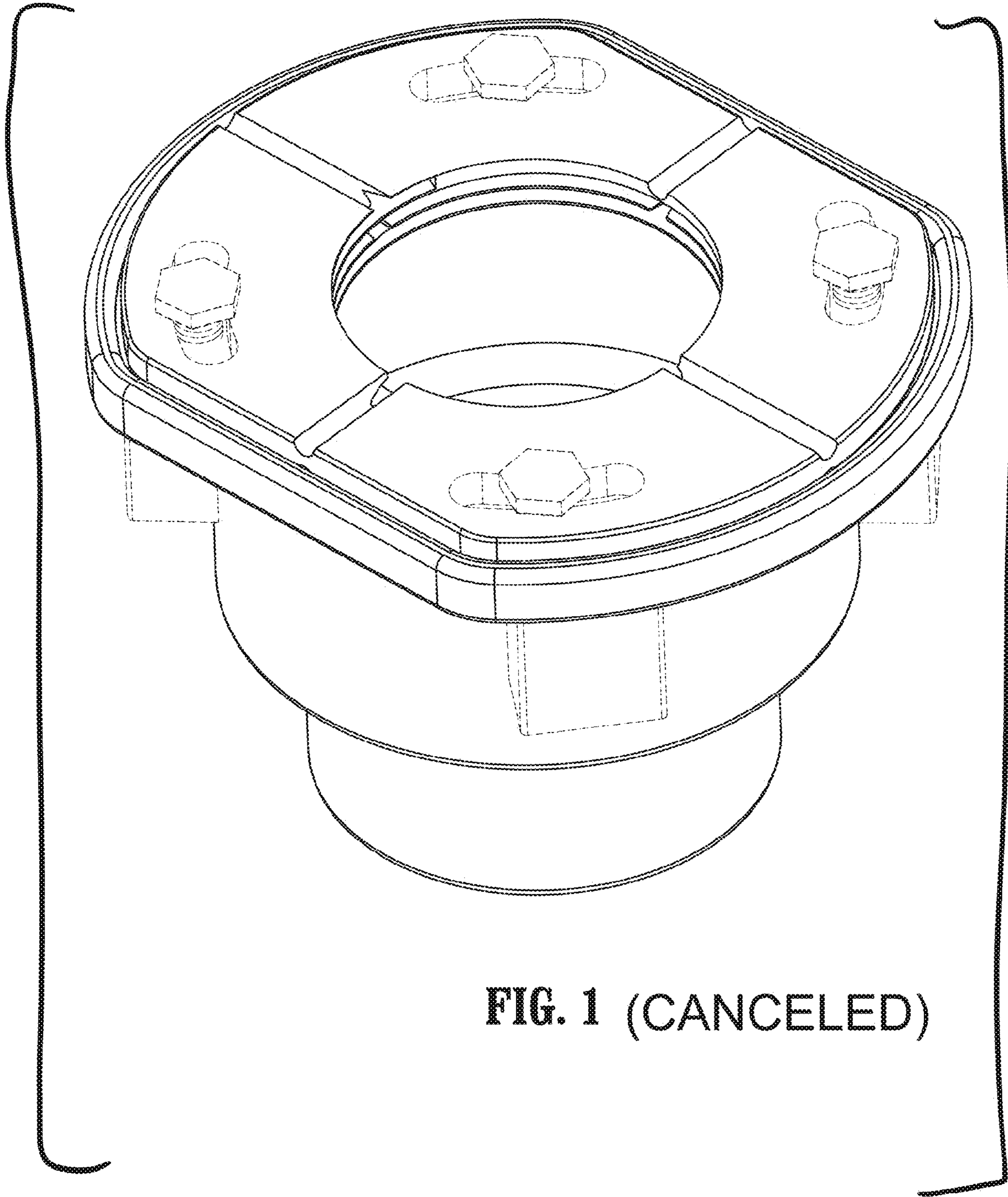
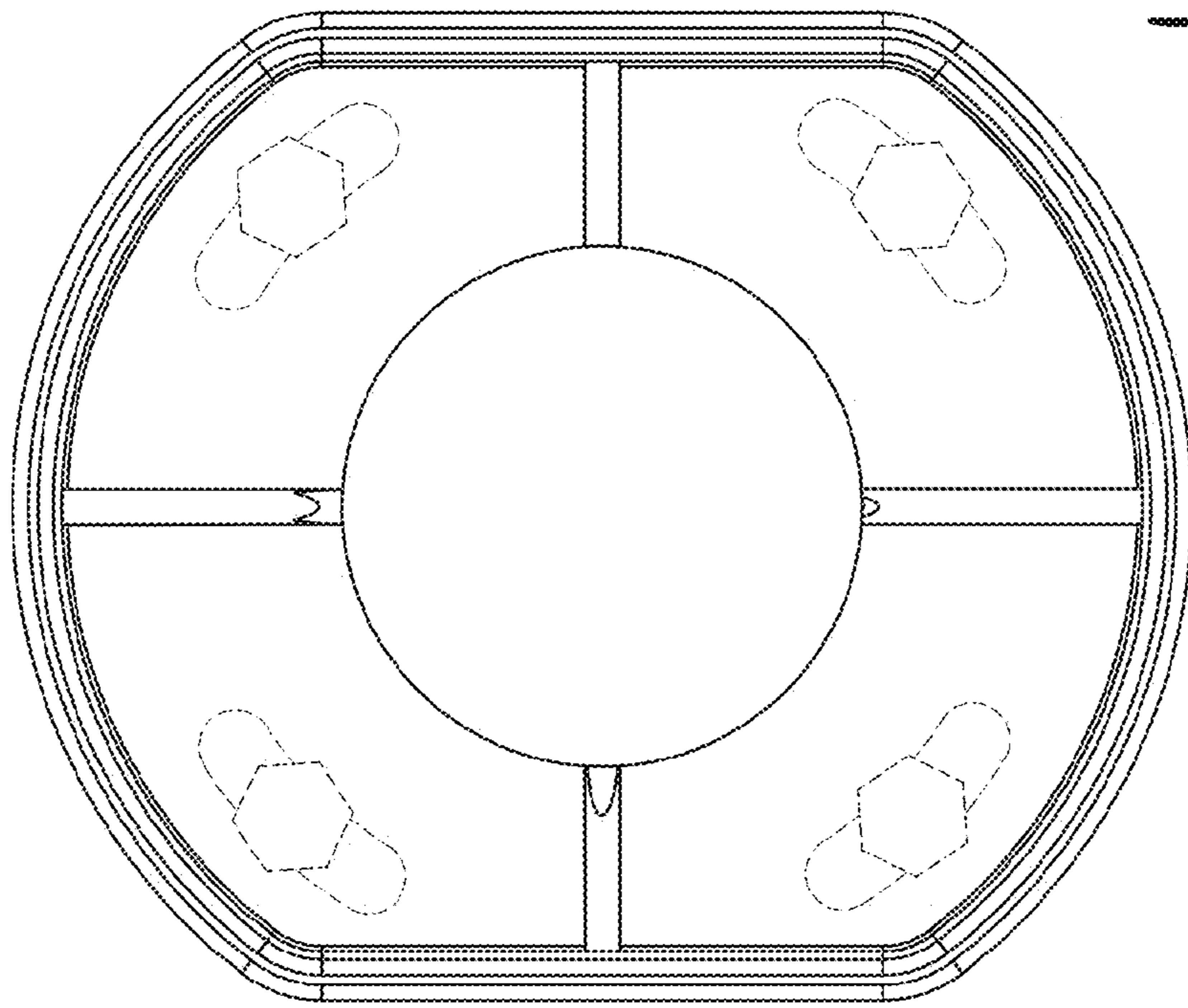
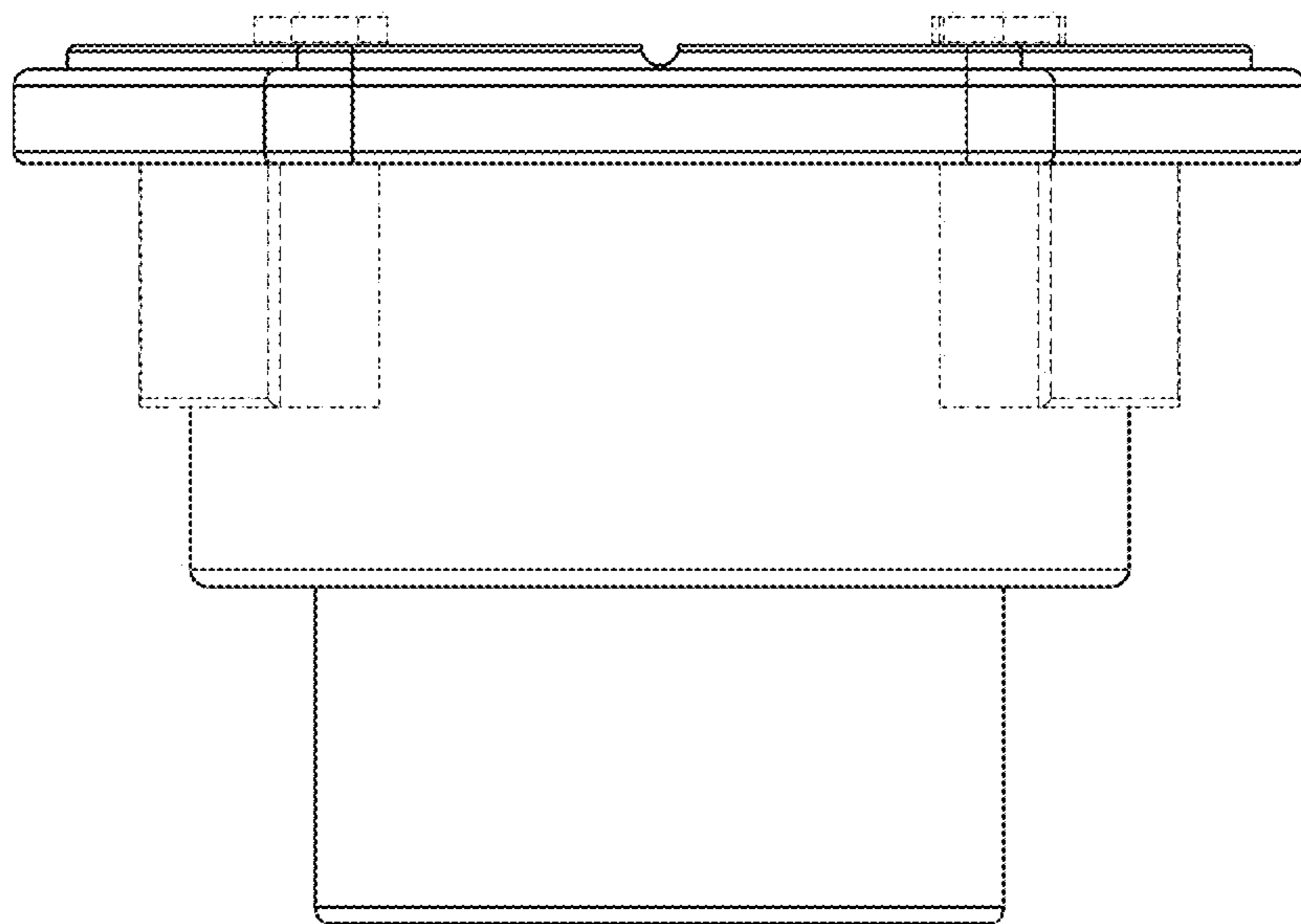


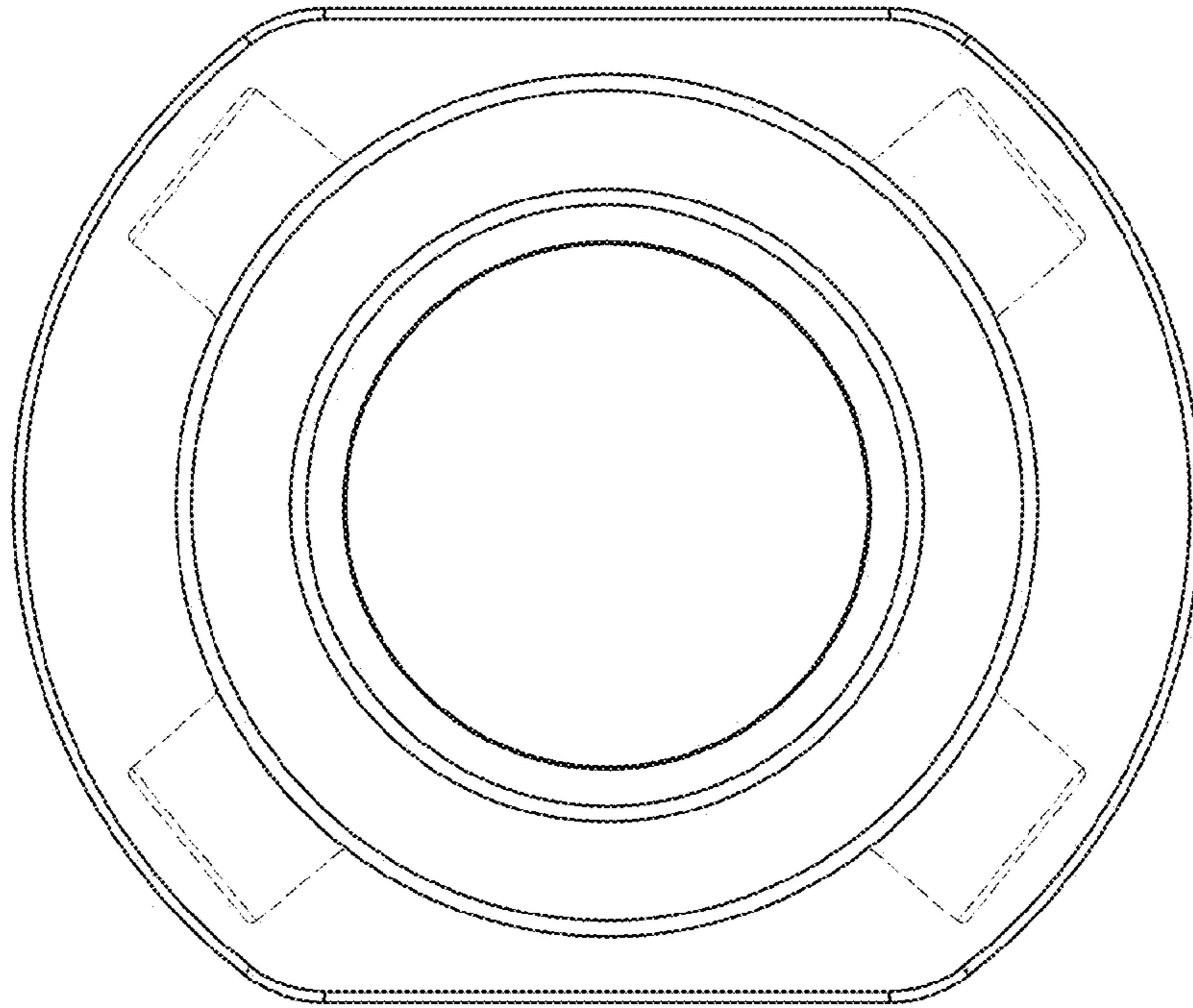
FIG. 1 (CANCELED)



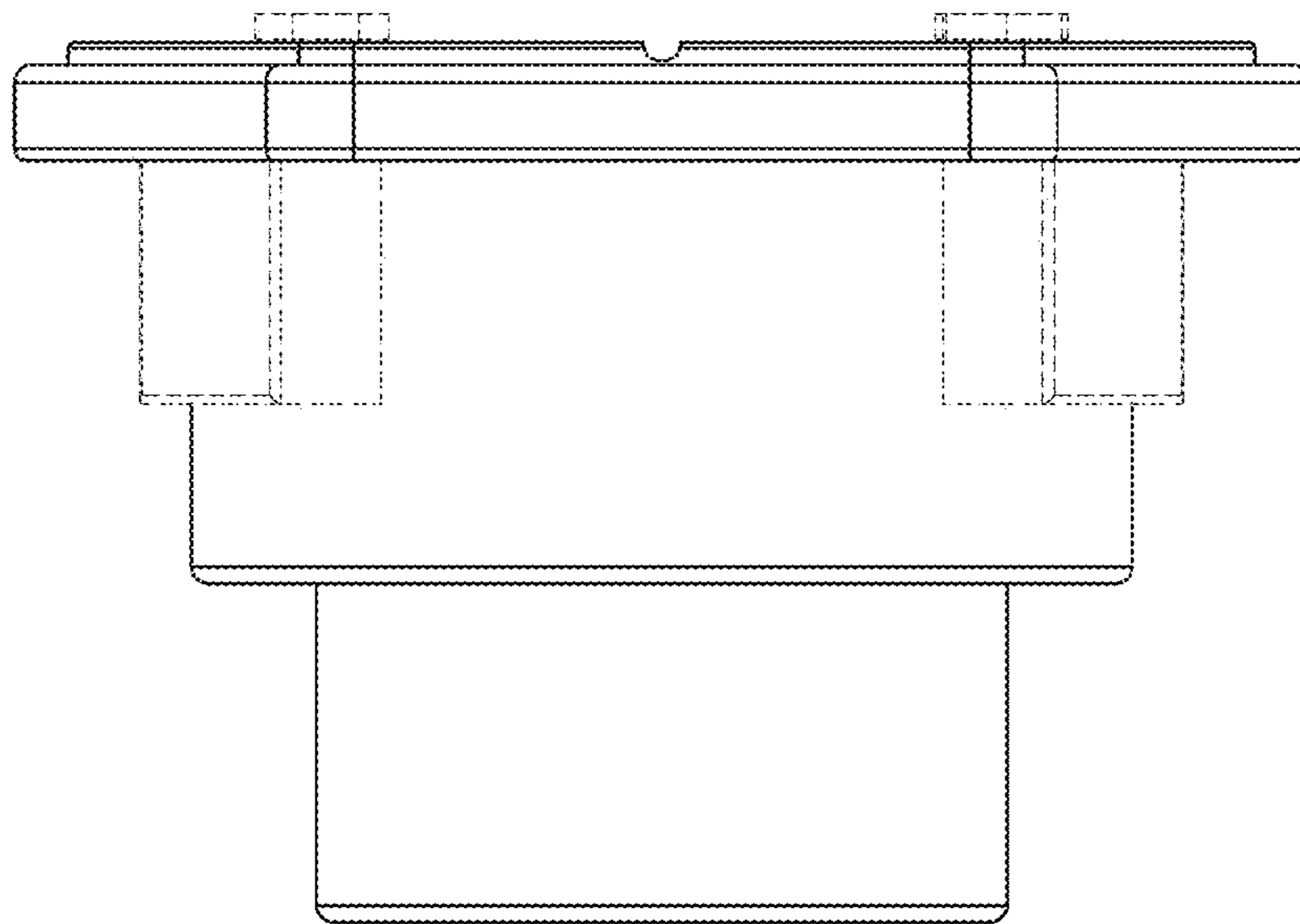
**FIG. 2 (CANCELED)**



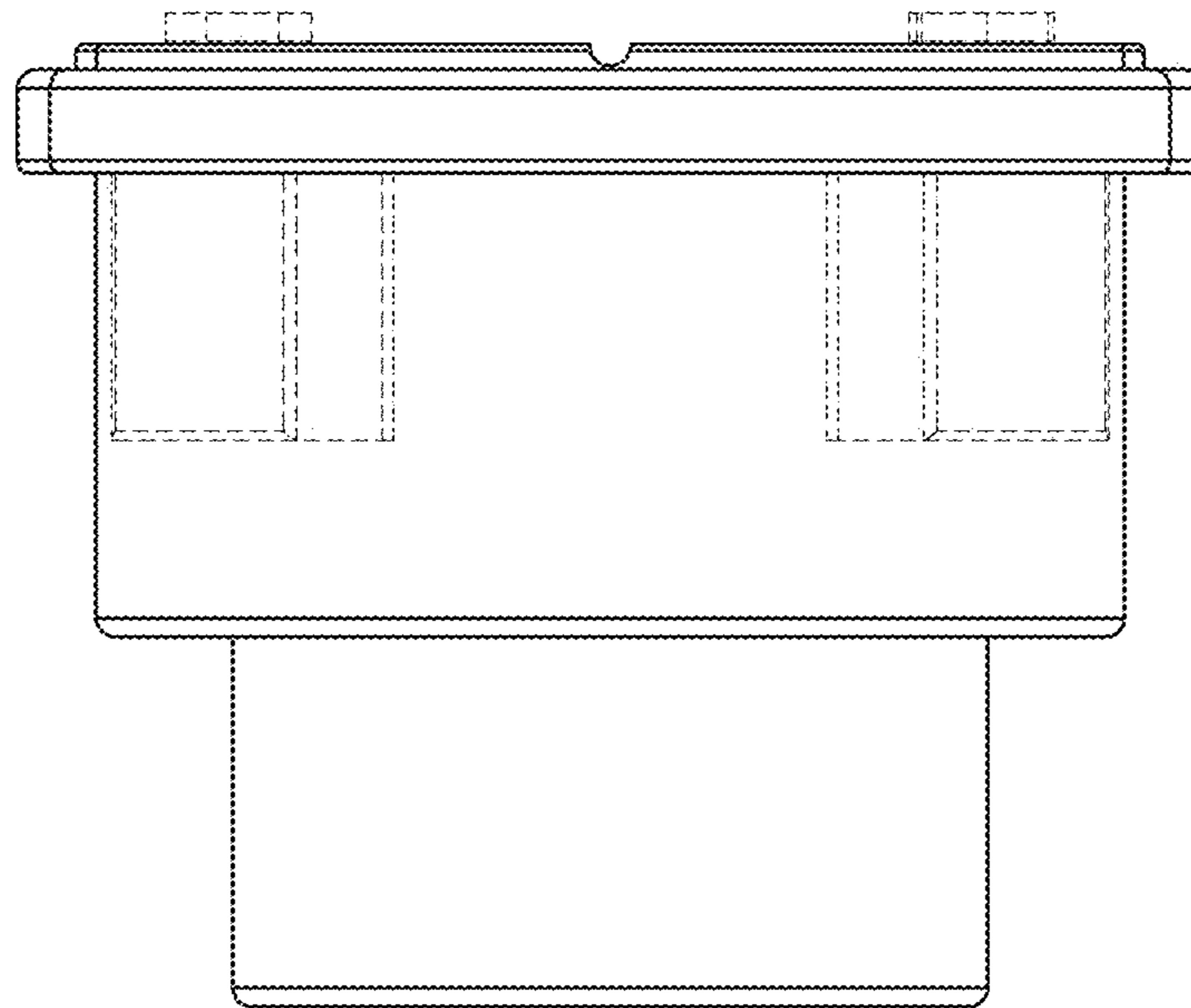
**FIG. 3 (CANCELED)**



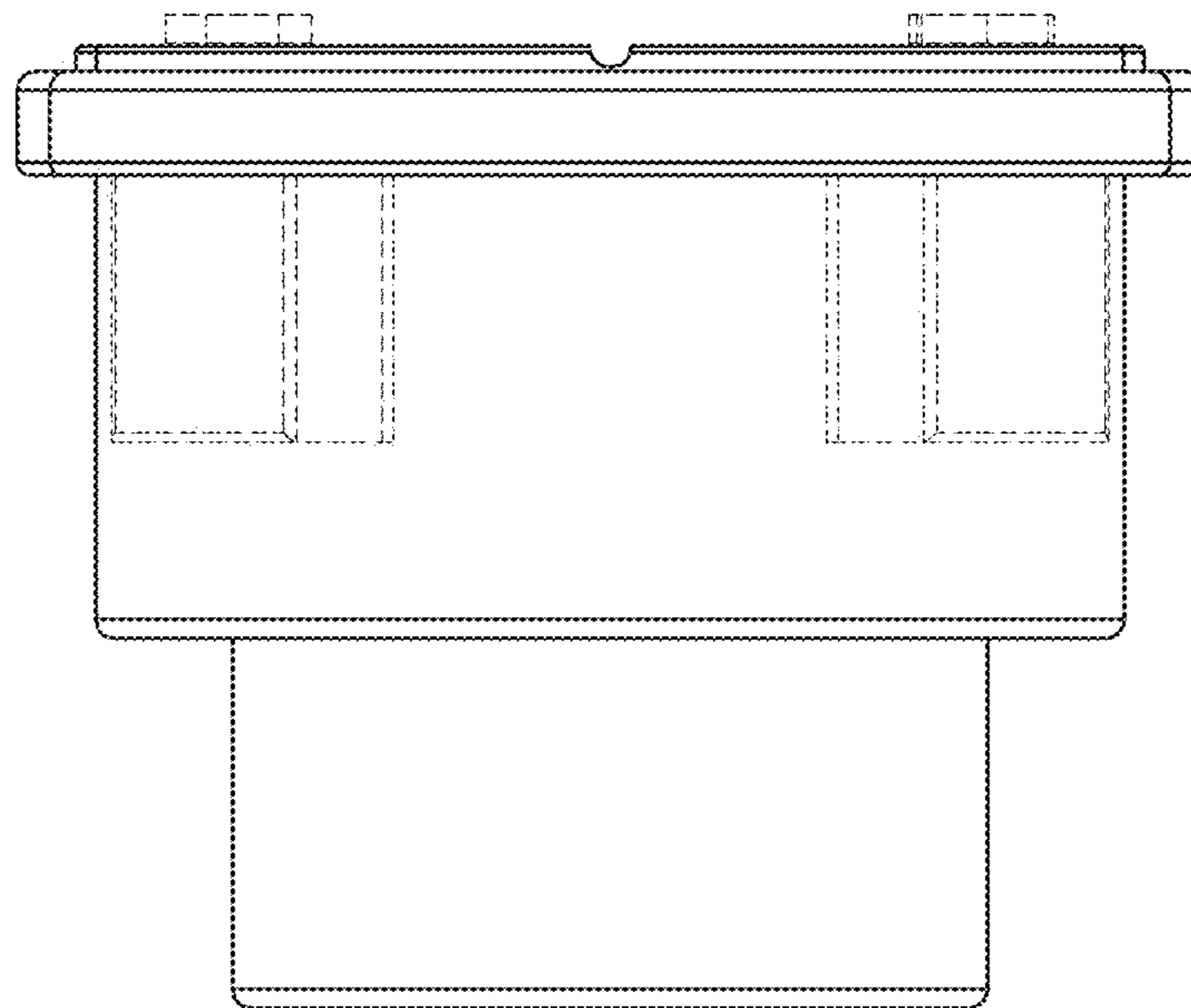
**FIG. 4 (CANCELED)**



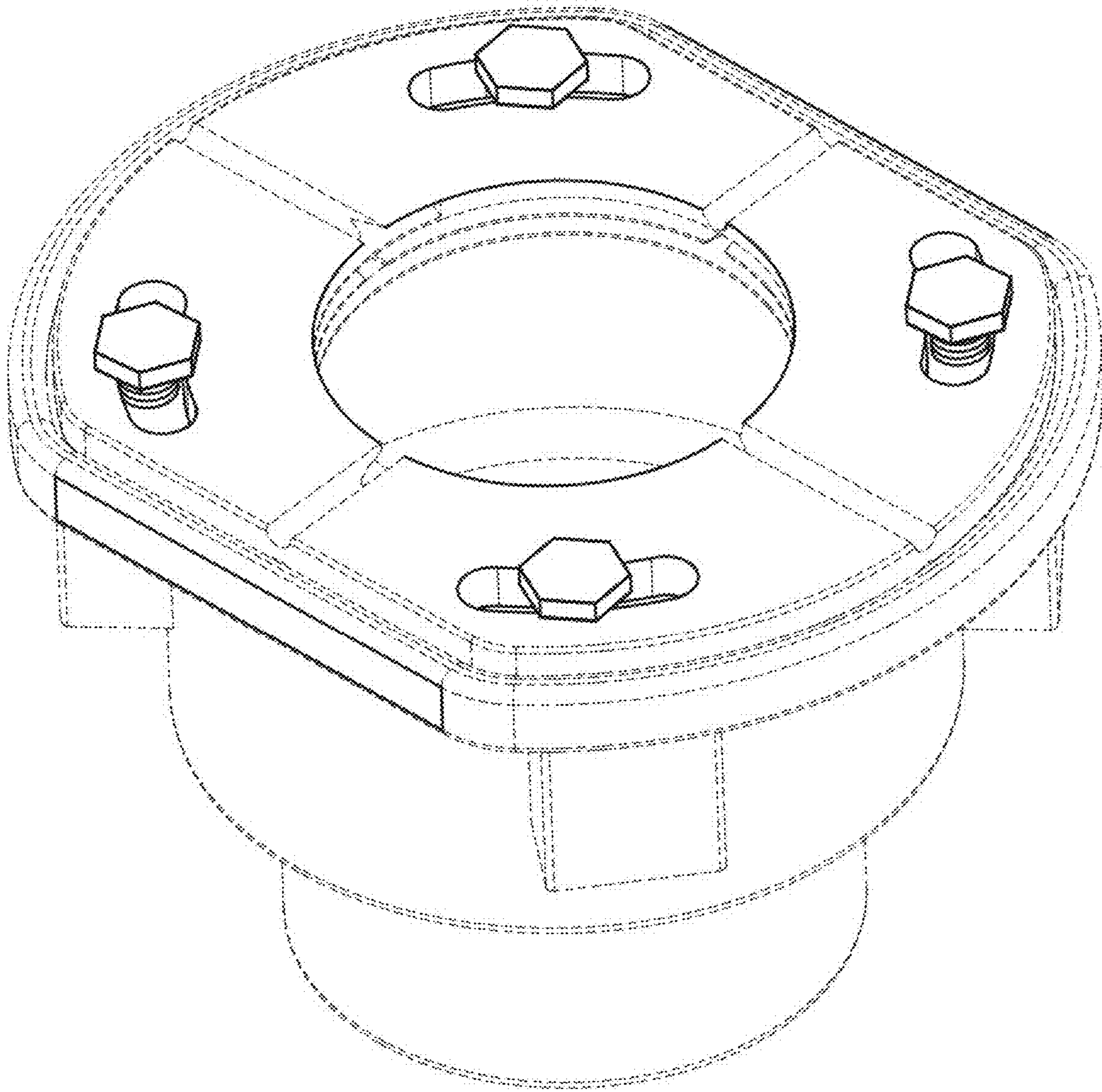
**FIG. 5 (CANCELED)**



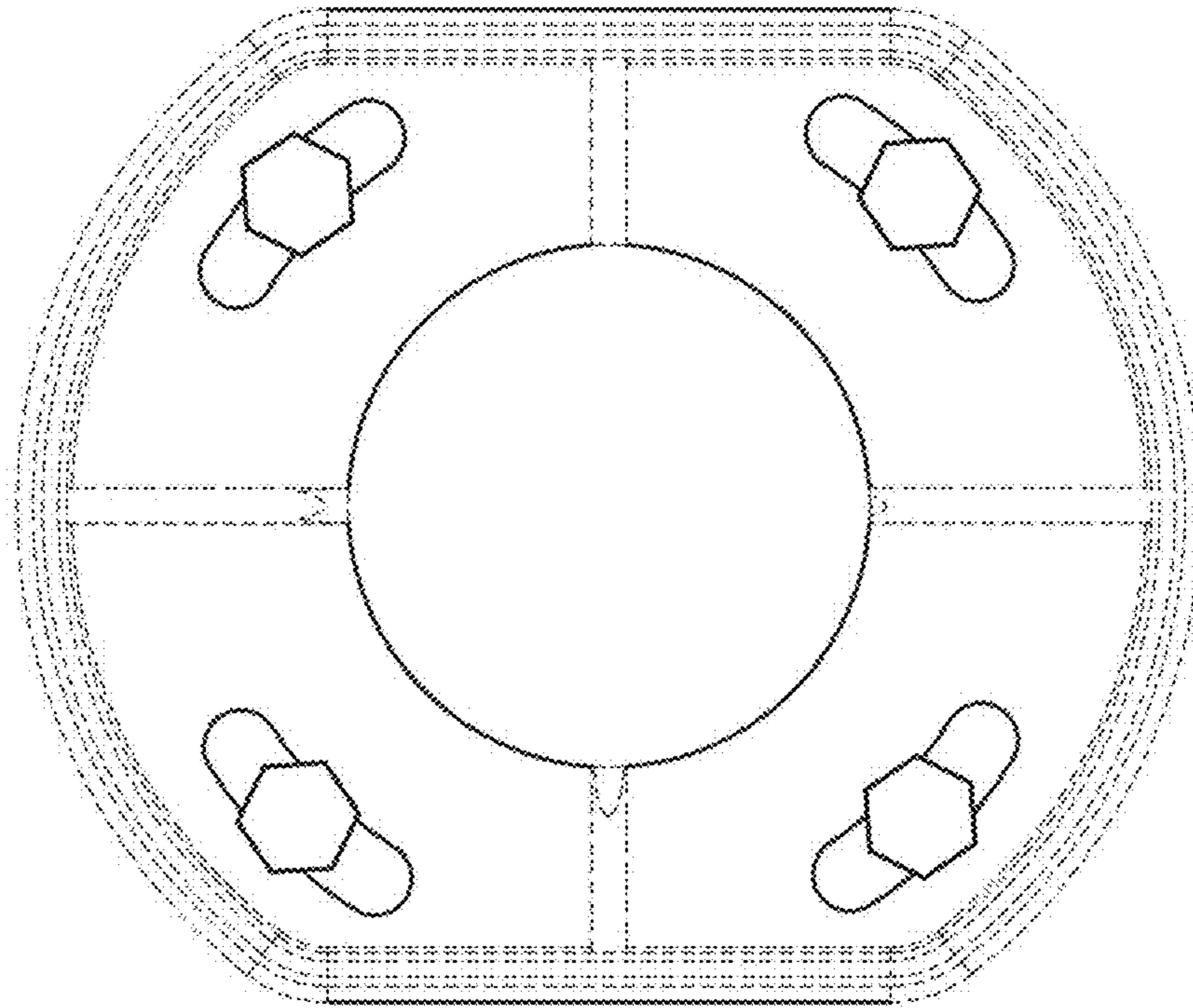
**FIG. 6 (CANCELED)**



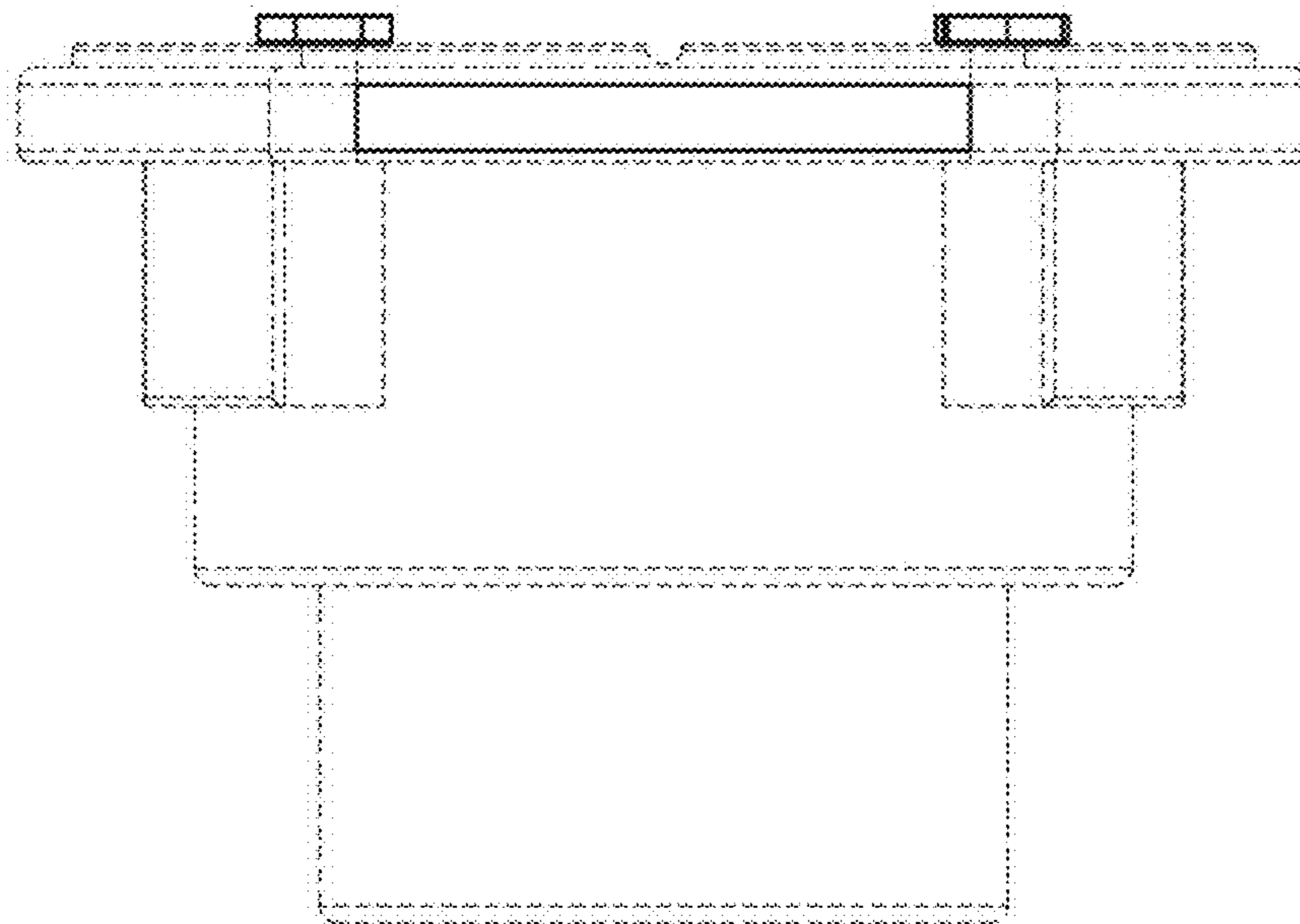
**FIG. 7 (CANCELED)**



**FIG. 8 (New)**

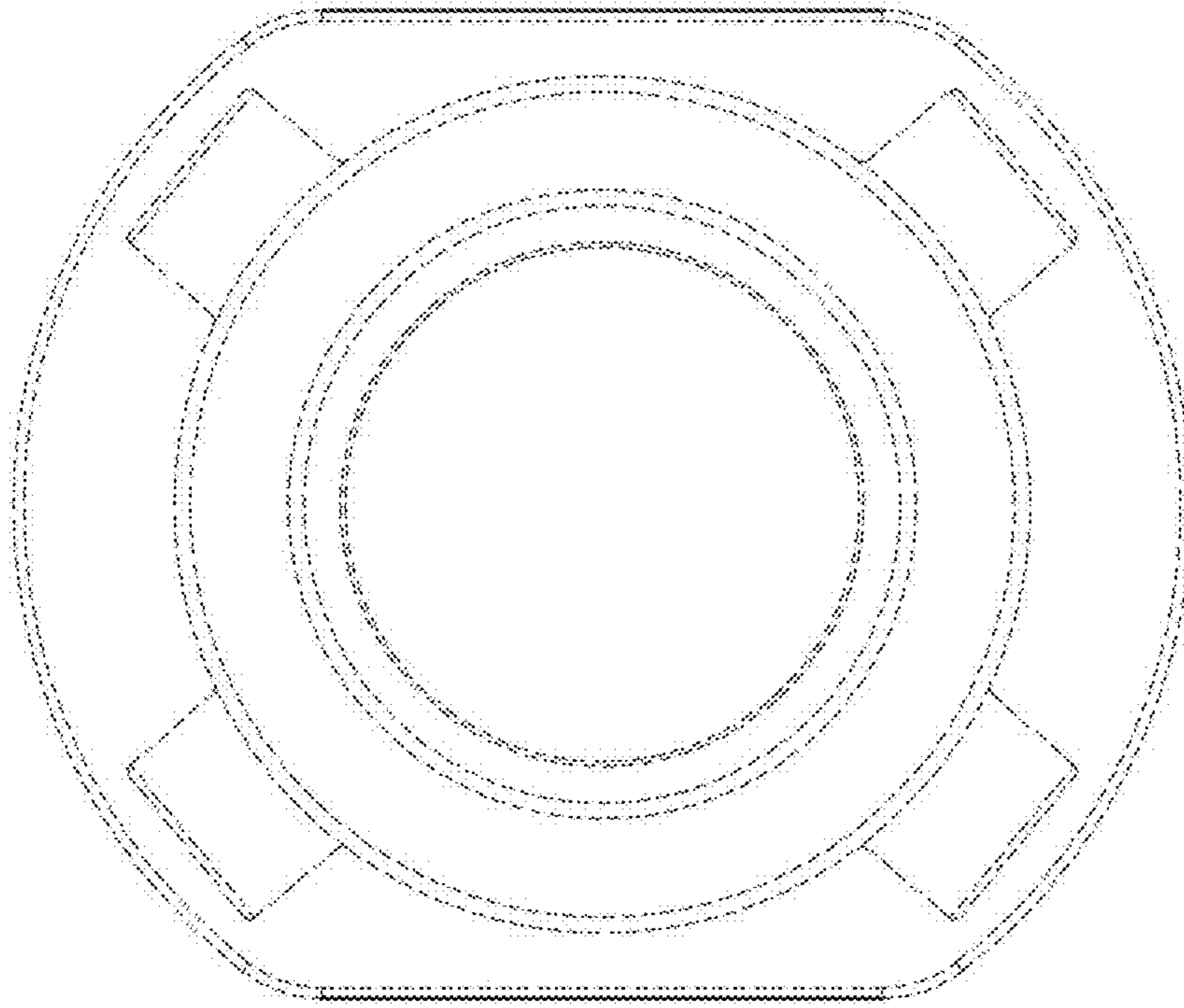


**FIG. 9 (New)**

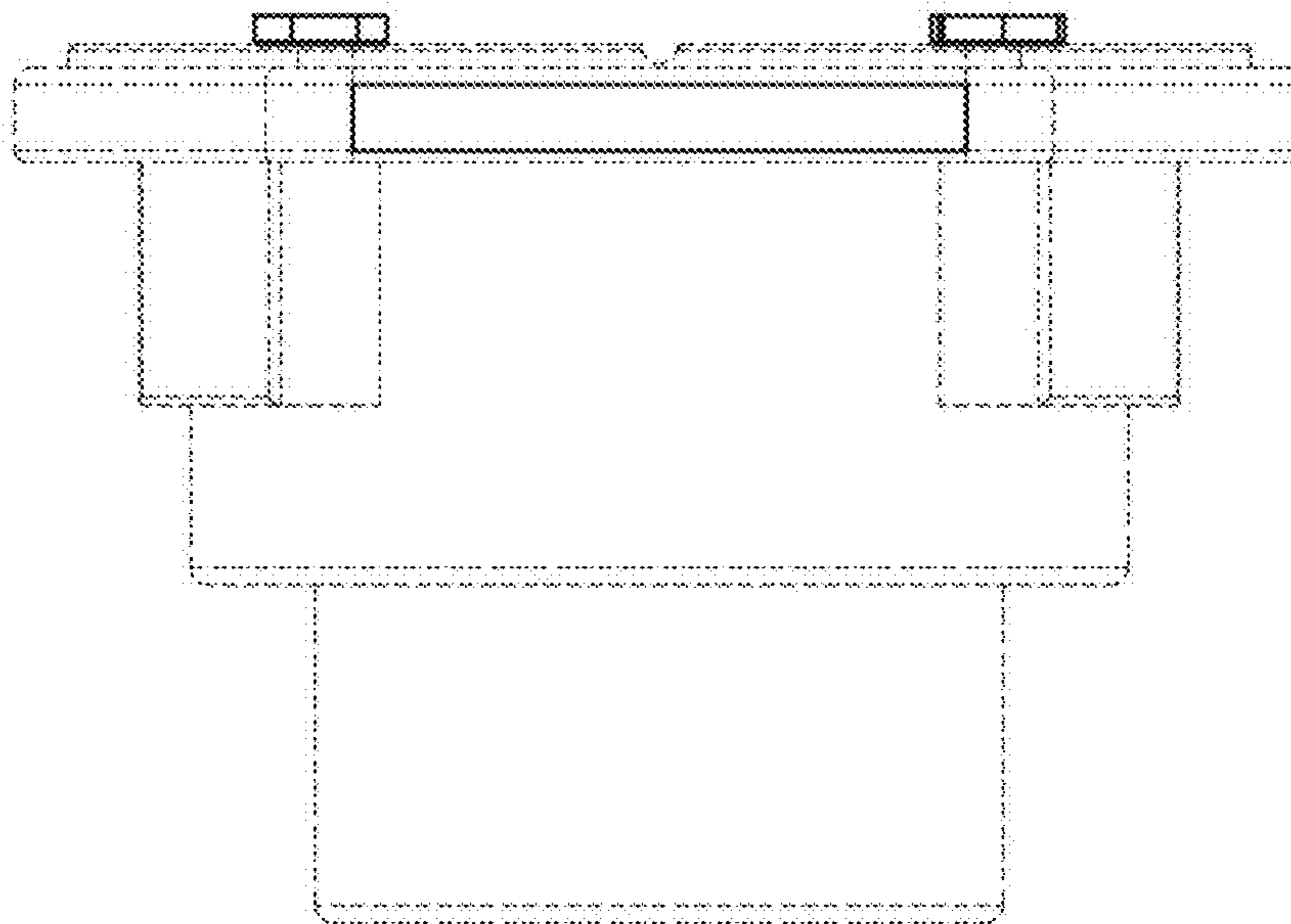


**FIG. 10 (New)**

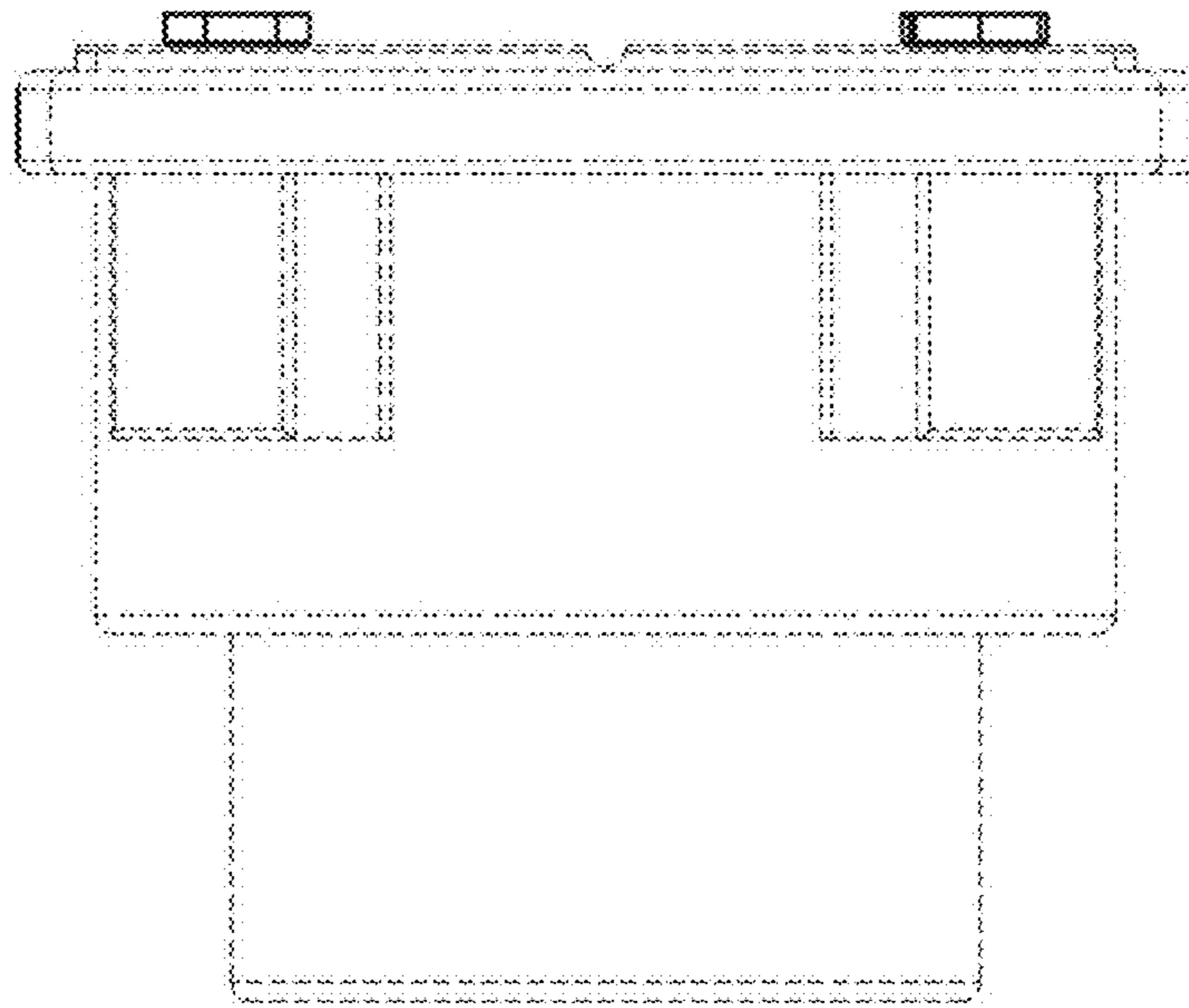




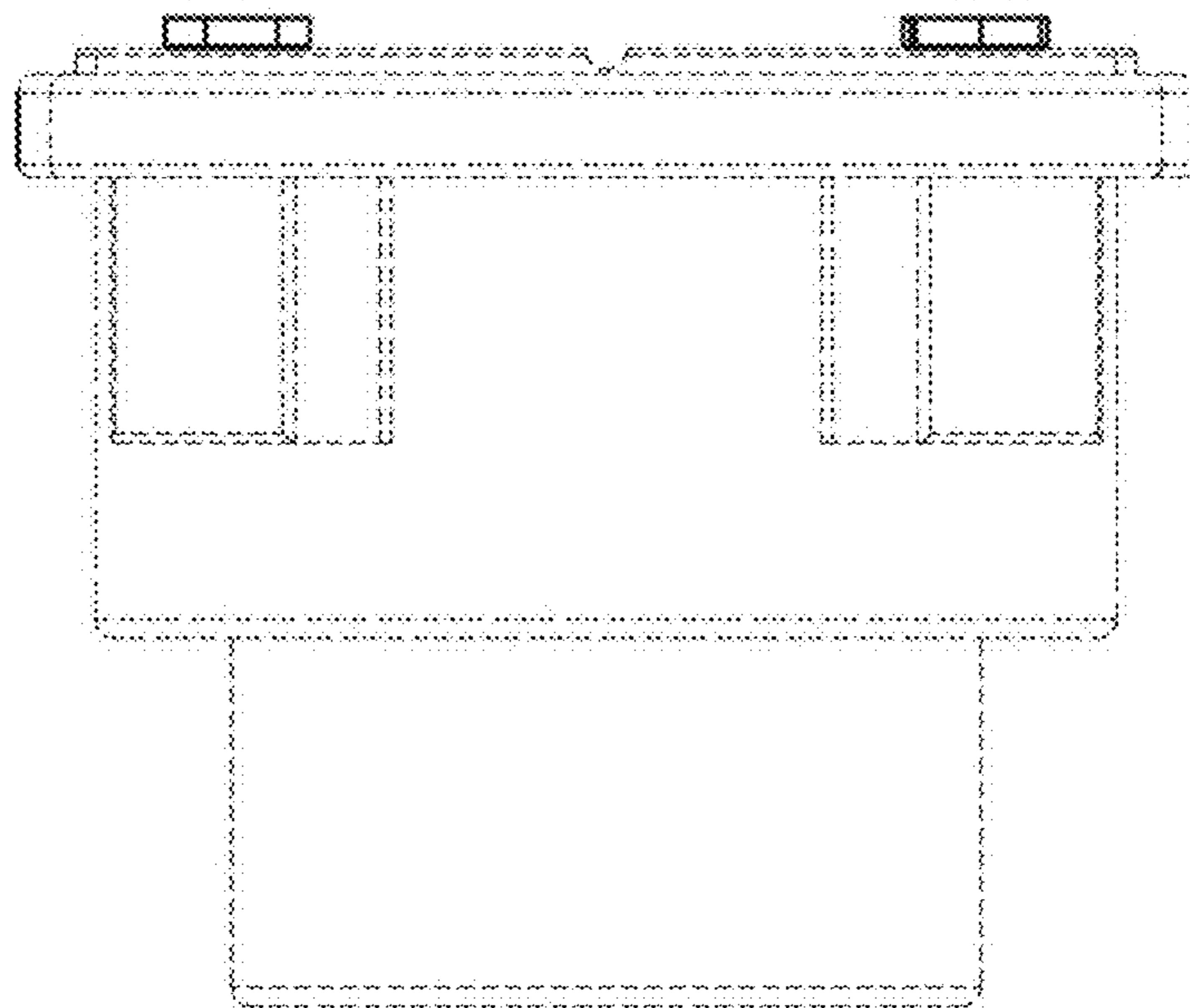
**FIG. 11 (New)**



**FIG. 12 (New)**



**FIG. 13 (New)**



**FIG. 14 (New)**