



US00RE50070E

(19) **United States**  
(12) **Reissued Patent**  
**Ma**

(10) **Patent Number: US RE50,070 E**  
(45) **Date of Reissued Patent: Aug. 6, 2024**

- (54) **MAGNETIC LAMP**
- (71) Applicant: **Shenzhen City Donglin High-Tech Co., Ltd., Shenzhen (CN)**
- (72) Inventor: **Zenan Ma, Shenzhen (CN)**
- (73) Assignee: **Shenzhen City Donglin High-Tech Co., Ltd., Shenzhen (CN)**
- (21) Appl. No.: **29/873,430**
- (22) Filed: **Mar. 31, 2023**

D344,605	S	*	2/1994	Aspenwall	.....	D26/76
D393,734	S		4/1998	Casteel		
D424,732	S		5/2000	Cece		
D481,483	S		10/2003	Waugh et al.		
D543,651	S		5/2007	Hargreaves		
D581,079	S	*	11/2008	Mier-Langner	.....	D26/72
D606,229	S	*	12/2009	Johansen	.....	D26/80
D608,043	S	*	1/2010	Ko	.....	D26/72
D646,003	S	*	9/2011	Wang	.....	D26/51
D655,854	S		5/2012	Kim et al.		
D663,882	S	*	7/2012	Muraishi	.....	D26/76
D690,844	S	*	10/2013	Wang	.....	D26/51
D693,047	S	*	11/2013	Haumann	.....	D26/89
8,608,337	B2	*	12/2013	Nourishad	.....	F21S 8/04 362/225
D709,636	S	*	7/2014	Murata	.....	D26/72
D715,466	S	*	10/2014	Wang	.....	D26/24
D730,558	S	*	5/2015	Dungan	.....	D26/76
D735,390	S	*	7/2015	Yanping	.....	D26/74
D791,383	S	*	7/2017	Yu	.....	D26/76
D791,997	S	*	7/2017	van den Dool	.....	D26/76
D800,942	S	*	10/2017	Poyrah	.....	D26/72
D801,570	S	*	10/2017	Grandsart	.....	D26/76
9,874,333	B2	*	1/2018	Lay	.....	F21S 8/04
D819,878	S	*	6/2018	Cerce	.....	D26/138
D820,500	S		6/2018	Li et al.		
D825,792	S	*	8/2018	Johnson	.....	D26/24
D858,852	S	*	9/2019	Chen	.....	D26/76
D859,199	S	*	9/2019	Goltche	.....	D10/114.4
D860,484	S	*	9/2019	Wang	.....	D26/24
D861,950	S	*	10/2019	Hsu	.....	D26/76
D862,766	S	*	10/2019	Kim	.....	D26/76
D869,048	S	*	12/2019	Chai	.....	D26/76
D872,339	S	*	1/2020	Chen	.....	D26/76
D876,700	S	*	2/2020	Patterson	.....	D26/76
D880,021	S	*	3/2020	Meise	.....	D26/24
D880,044	S	*	3/2020	Chen	.....	D26/76
D884,243	S	*	5/2020	Li	.....	D26/63
D889,722	S	*	7/2020	Veltri	.....	D26/76
D897,022	S	*	9/2020	Guo	.....	D26/76
D900,374	S	*	10/2020	Luo	.....	D26/85
D917,091	S	*	4/2021	Ma	.....	D26/76
D935,679	S	*	11/2021	Yuan	.....	D26/76
D935,680	S	*	11/2021	Yuan	.....	D26/76
D938,087	S	*	12/2021	Zou	.....	D26/85
D938,640	S	*	12/2021	Zou	.....	D26/85
D939,756	S	*	12/2021	Yuan	.....	D26/85
D940,376	S	*	1/2022	Yuan	.....	D26/85
D945,045	S	*	3/2022	Shen	.....	D26/85
D945,046	S	*	3/2022	Shen	.....	D26/85
D965,196	S		9/2022	Johnson		
D970,784	S	*	11/2022	Ai	.....	D26/76
D975,906	S	*	1/2023	Li	.....	D26/76

**Related U.S. Patent Documents**

Reissue of:

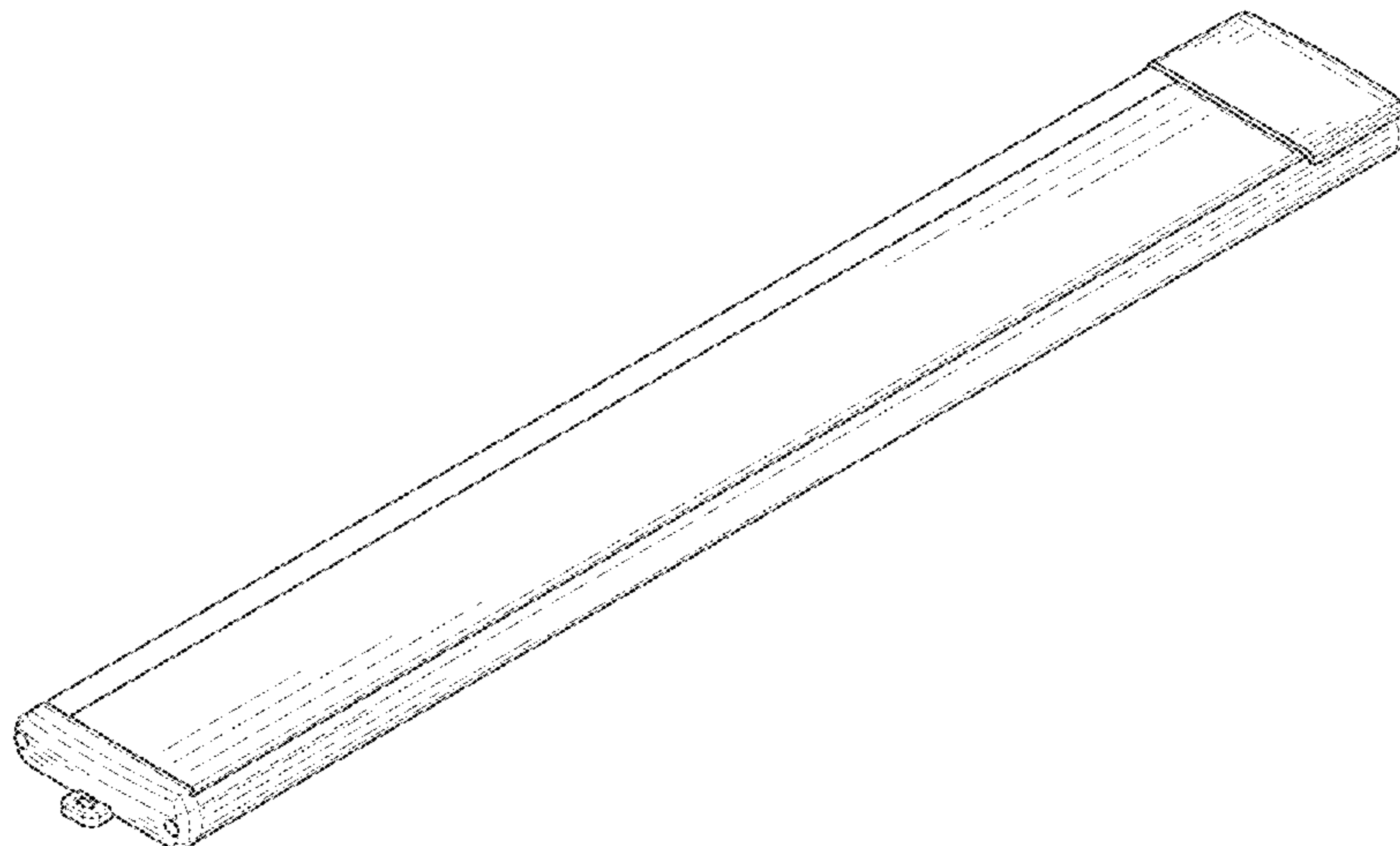
- (64) Patent No.: **Des. 917,091**
- Issued: **Apr. 20, 2021**
- Appl. No.: **29/677,990**
- Filed: **Jan. 25, 2019**

- (51) **LOC (14) Cl.** ..... **26-04**
- (52) **U.S. Cl.**  
USPC ..... **D26/76**
- (58) **Field of Classification Search**  
USPC ..... D26/1, 2, 24, 37, 60, 61, 63, 65, 67, 71,  
D26/72, 85, 89, 93, 94, 98, 99, 106, 111,  
D26/118, 119, 125  
CPC ..... F21S 2/00; F21S 9/02; F21S 9/03; F21S  
9/032; F21S 9/035; F21S 6/00; F21S  
10/00; F21S 10/007; F21S 10/02; F21S  
10/046; F21S 8/02; F21S 8/03; F21S  
8/04; F21V 7/0058; F21V 21/30  
See application file for complete search history.

(56) **References Cited**

**U.S. PATENT DOCUMENTS**

D123,048	S	10/1940	Doane
D123,887	S	12/1940	Koehler
D166,093	S	3/1952	McPhail
D175,188	S	7/1955	Phillips
D191,531	S	10/1961	Spaulding
D203,406	S	1/1966	Wince et al.
D292,322	S	10/1987	Krol
D329,715	S	9/1992	Dieperink



D984,013	S	*	4/2023	Pan	.....	D26/85
D991,530	S	*	7/2023	Pettit	.....	D26/76
D994,945	S	*	8/2023	Xie	.....	D26/85
D998,851	S	*	9/2023	Xia	.....	D26/85
D1,003,491	S	*	10/2023	Hu	.....	D26/87
D1,006,295	S	*	11/2023	Ghasabi	.....	D26/76
D1,007,739	S	*	12/2023	Zhu	.....	D26/72
D1,011,591	S	*	1/2024	Ma	.....	D26/24
D1,014,819	S	*	2/2024	Barlettano	.....	D26/76
2007/0127235	A1	*	6/2007	Cooper	.....	F21L 4/00 362/217.1

## FOREIGN PATENT DOCUMENTS

CN	303828465	S	8/2016
CN	304195538	S	7/2017
CN	306599486	S	6/2021
CN	307459643	S	7/2022
CN	307596084	S	10/2022
CN	307850009	S	2/2023
CN	307880379	S	2/2023
EM	000365846-0001	S	9/2005
EM	001227060-0001	S	8/2010
GB	9002721241-0003	S	7/2015
GB	6107126	S	1/2021
GB	6221935	S	7/2022
JP	1592875	S	12/2017
KR	30-0255360	S	3/2000
KR	30-0579990	S	11/2010
KR	30-0632367	S	3/2012

## OTHER PUBLICATIONS

“LED Direct Wire Under Cabinet Light in 3000K Soft White.” Favorite Monkey., May 28, 2021 [online], [retrieved on Mar. 6, 2024]. Retrieved from the Internet <URL: <https://favoritemonkey.com/product/24-inch-led-direct-wire-under-cabinet-light-3000k/>>.\*

“GE 12-in Plug-in LED Under Cabinet Light Bar Light.” Lowes., Apr. 17, 2018 [online], [retrieved on Mar. 6, 2024]. Retrieved from the Internet <URL: <https://www.lowes.com/pd/GE-GE-Fixture-LED-12in-Convertible-Linkable-Hi-Low-Off-3000K-90-CRI/1003002676>>.\*

“Genlamp Warm White Linkable LED Strip Light 300mm.” Bourne Superstore., Sep. 30, 2019 [online], [retrieved on Mar. 6, 2024]. Retrieved from the Internet <URL: <https://www.bournesuperstore.com.au/warm-white-linkable-led-strip-light-300mm>>.\*

“Under Cabinet Lighting Rechargeable, Motion Sensor Closet Lights, Usb Rechargeable Dimmable Closet Light Night Light Bar, for Kitchen.” Amazon., Apr. 26, 2021 [online], [retrieved on Mar. 6, 2024]. Retrieved from the Internet <URL: <https://www.amazon.ae/Cabinet-Lighting-Rechargeable-Dimmable-Kitchen/dp/B093H13XG6>>.\*

“EVERDOSS Under Cabinet Lights Motion Sensor Light Indoor, 30 LED Under Cabinet Lighting, Wireless USB . . . 6 Pack Warm Light.” Amazon., Sep. 22, 2022 [online], [retrieved on Mar. 6, 2024]. Retrieved from the Internet <URL: <https://www.amazon.com/EVERDOSS-Wireless-Rechargeable-Magnetic-Anywhere/dp/B0B8Y75DRT?th=1>>.\*

“Svarog Closet Lights, 340 Lumens Under Cabinet Lights Wireless 19.49" Detachable Battery Motion Sensor Light Indoor Dimming Magnetic Night Light for Cupboard, Kitchen, Bedroom, Wardrobe, Hallway.” Amazon., Oct. 1, 2022 [online], [retrieved on Mar. 6, 2024]. Retrieved from the Internet <URL: <https://www.amazon.com/Svarog-Rechargeable-Wireless-Dimmable-Magnetic/dp/B09H2LRZDD?th=1>>.\*

[No Author Listed] Moston 3 Pack Upgraded USB Rechargeable 10 LED Magnetic Motion Sensor Night Light, Dusk to Dawn Photocell, Auto On/Off. Portable, Cordless, Stick-on Anywhere for Cabinet, Closet, Wardrobe (Silver). Amazon.com. [https://www.amazon.co.uk/Upgraded-Rechargeable-Magnetic-Photocell-Off-Portable/dp/B06XPD3BP2/ref=sr\\_1\\_1\\_?crd=65KGXT8S942K&keywords=B06XPD3BP2&qid=1680180897&sprefix=b06xpd3bp2%2Caps%2C170&sr=8-1](https://www.amazon.co.uk/Upgraded-Rechargeable-Magnetic-Photocell-Off-Portable/dp/B06XPD3BP2/ref=sr_1_1_?crd=65KGXT8S942K&keywords=B06XPD3BP2&qid=1680180897&sprefix=b06xpd3bp2%2Caps%2C170&sr=8-1). Oct. 21, 2017:1-5.

amazon.co.uk: Moston 3 Pack Upgraded USB Rechargeable Light. Date uploaded Mar. 16, 2017 [site visited Sep. 11, 2020]. Retrieved from internet, <[https://www.amazon.co.uk/Upgraded-Rechargeable-Magnetic-Photocell-Off-Portable/dp/B06XPD3BP2/ref=sr\\_1\\_1\\_?crd=65KGXT8S942K&keywords=B06XPD3BP2&qid=1680180897&sprefix=b06xpd3bp2%2Caps%2C170&sr=8-1](https://www.amazon.co.uk/Upgraded-Rechargeable-Magnetic-Photocell-Off-Portable/dp/B06XPD3BP2/ref=sr_1_1_?crd=65KGXT8S942K&keywords=B06XPD3BP2&qid=1680180897&sprefix=b06xpd3bp2%2Caps%2C170&sr=8-1)>(Year: 2017).\*

\* cited by examiner

*Primary Examiner* — Darlington Ly  
(74) *Attorney, Agent, or Firm* — Wolf, Greenfield & Sacks, P.C.

## (57) CLAIM

The ornamental design for a magnetic lamp, as shown and described.

## DESCRIPTION

FIG. 1 is a front elevational view of a magnetic lamp showing my new design;

FIG. 2 is a rear elevational view thereof;

FIG. 3 is a left side *elevational* view thereof;

FIG. 4 is a right side *elevational* view thereof;

FIG. 5 is an enlarged top plan view thereof;

FIG. 6 is an enlarged bottom plan view thereof; [and,]

FIG. 7 is a perspective view thereof[.];

FIG. 8 is a front elevational view of a magnetic lamp showing my new design in accordance to another embodiment;

*FIG. 9 is a rear elevational view of the magnetic lamp of FIG. 8;*

*FIG. 10 is a left side elevational view of the magnetic lamp of FIG. 8;*

*FIG. 11 is a right side elevational view of the magnetic lamp of FIG. 8;*

*FIG. 12 is an enlarged top plan view of the magnetic lamp of FIG. 8;*

*FIG. 13 is an enlarged bottom plan view of the magnetic lamp of FIG. 8; and,*

*FIG. 14 is a perspective view of the magnetic lamp of FIG. 8.*

Throughout the drawings the broken lines depict portions of the magnetic lamp that form no part of the claimed design.

## 1 Claim, 14 Drawing Sheets

**Matter enclosed in heavy brackets [ ] appears in the original patent but forms no part of this reissue; matter printed in italics indicates the additions made by reissue.**

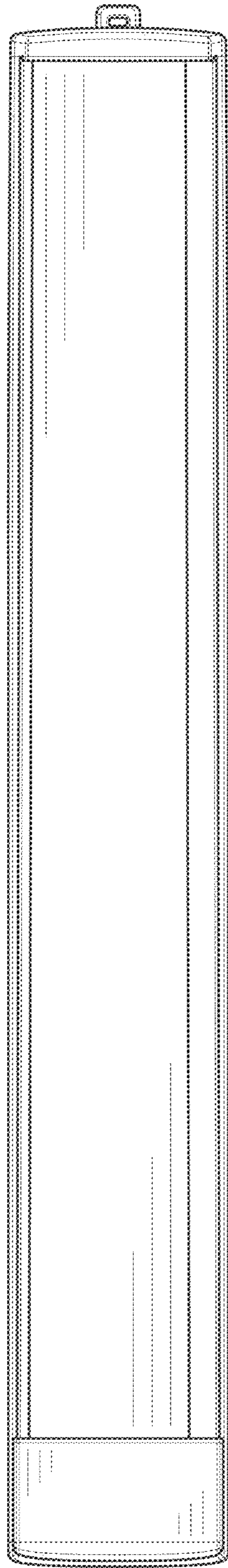


FIG. 1

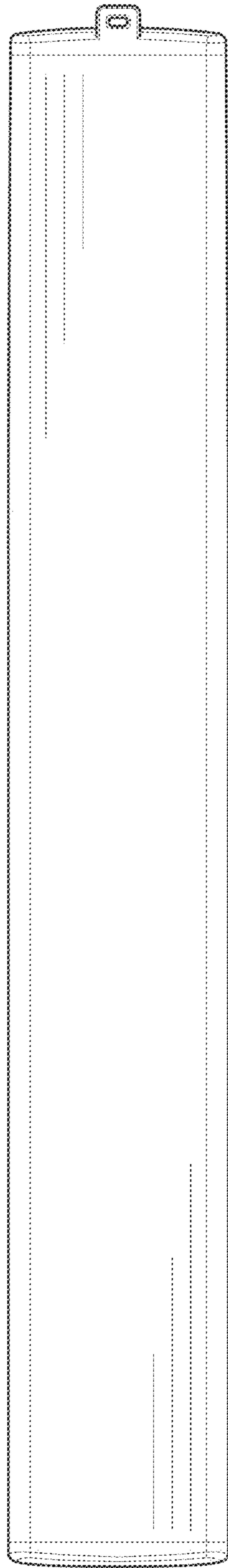


FIG. 2

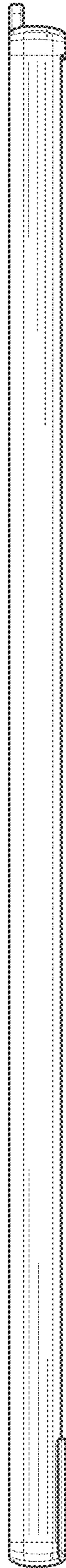


FIG. 3

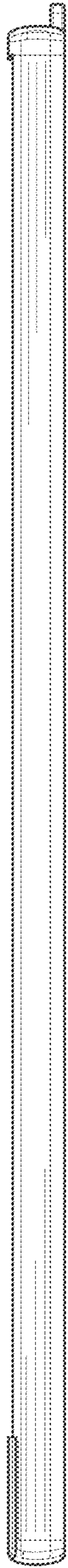


FIG. 4

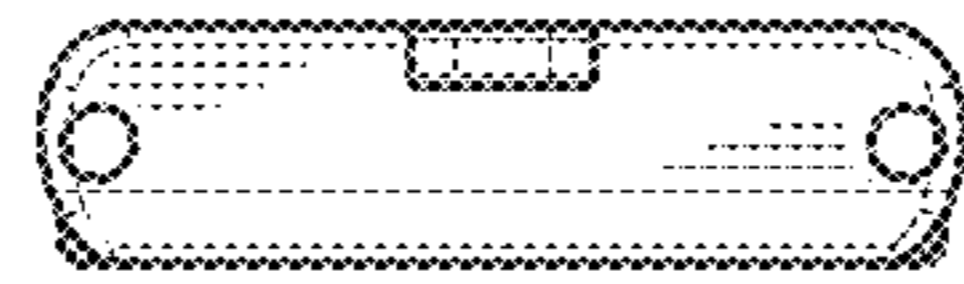


FIG. 5

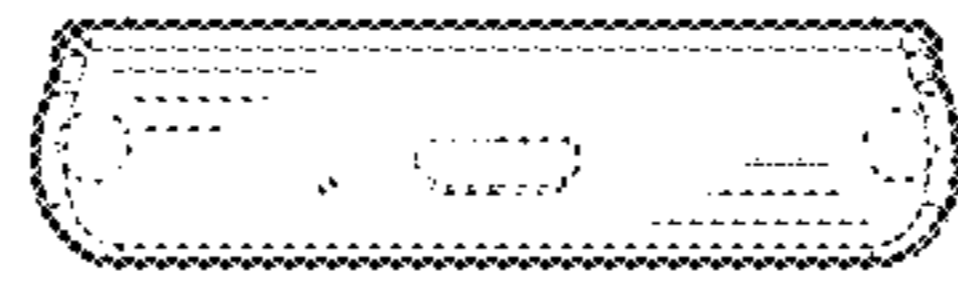


FIG. 6



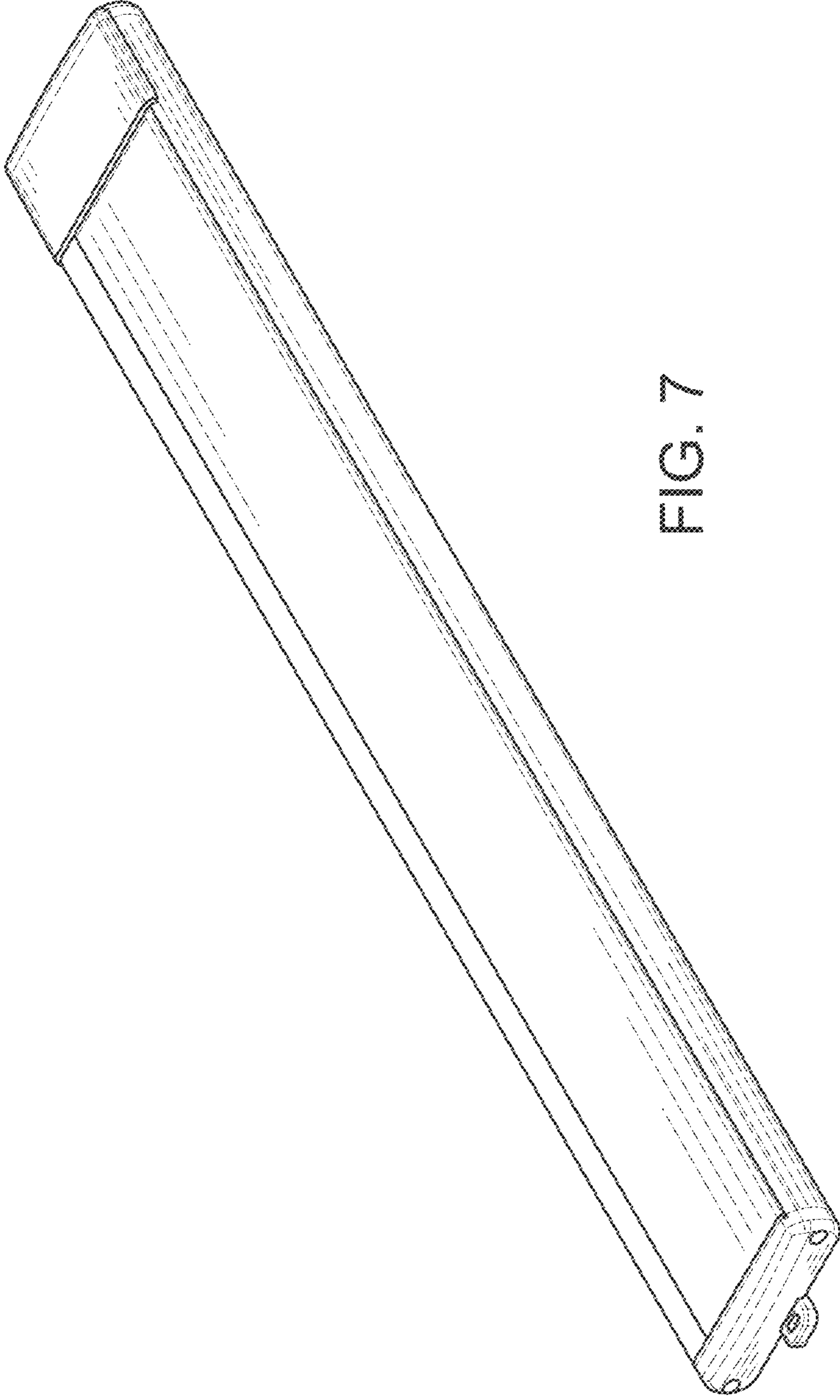


FIG. 7

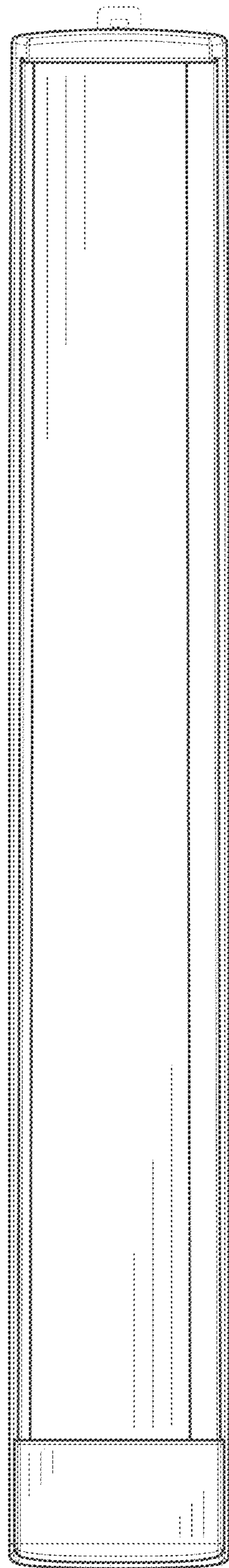


FIG. 8  
(New)

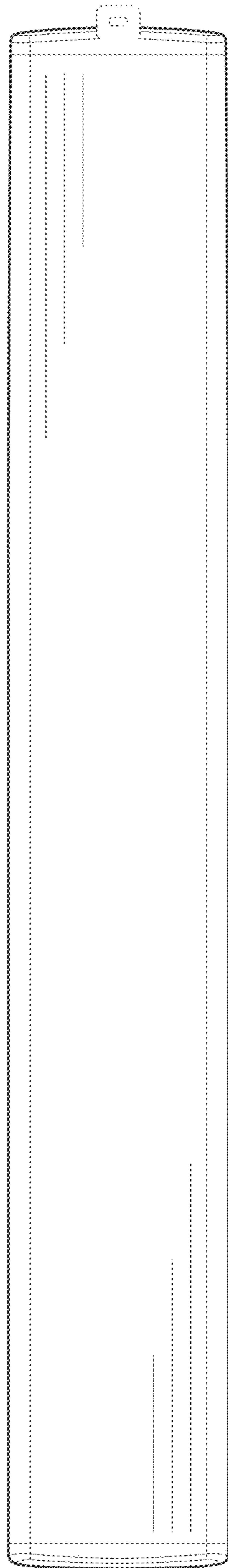


FIG. 9  
(New)

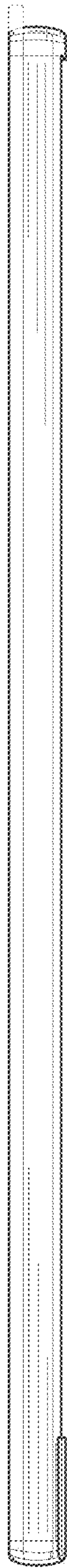


FIG. 10  
(New)

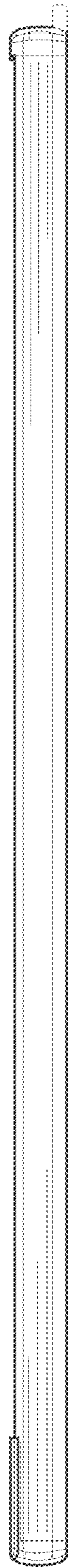


FIG. 11  
(New)

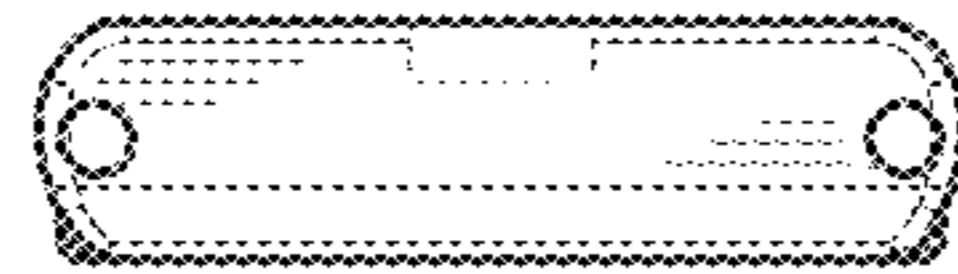


FIG. 12  
(New)



FIG. 13  
(New)

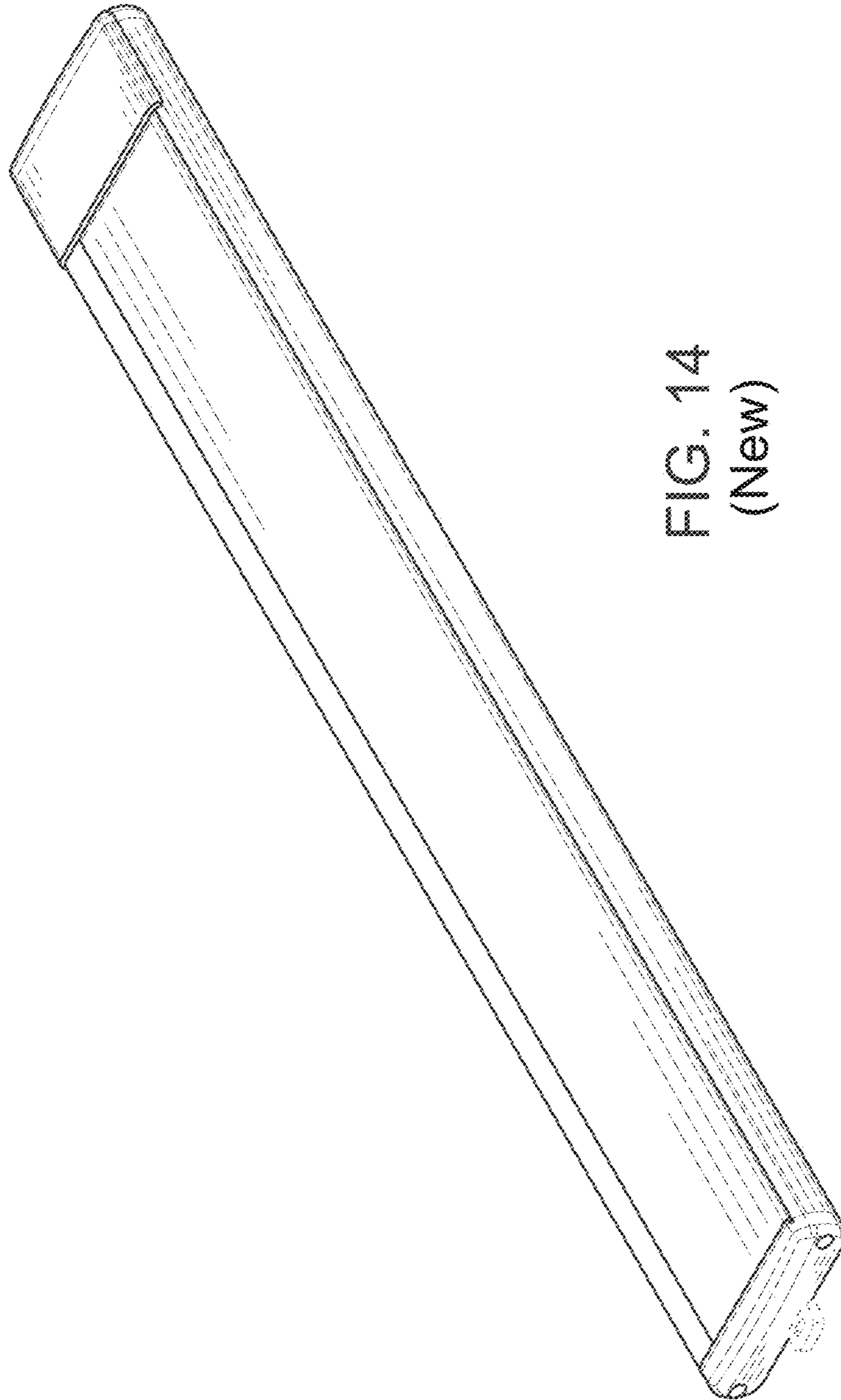


FIG. 14  
(New)