



US00RE50059E

(19) **United States**
(12) **Reissued Patent**
Zhang et al.

(10) **Patent Number: US RE50,059 E**
(45) **Date of Reissued Patent: Jul. 30, 2024**

(54) **GAS STOVE TABLE**

(71) Applicant: **Shenzhen Fanttik Technology Innovation Co., Ltd.**, Shenzhen (CN)
(72) Inventors: **Weijun Zhang**, Shenzhen (CN);
Haizhuan Lu, Shenzhen (CN)
(73) Assignee: **SHENZHEN FANTTIK TECHNOLOGY INNOVATION CO., LTD.**, Shenzhen (CN)

(21) Appl. No.: **29/793,300**
(22) Filed: **Mar. 24, 2023**
Related U.S. Patent Documents

Reissue of:
(64) Patent No.: **Des. 917,681**
Issued: **Apr. 27, 2021**
Appl. No.: **29/720,789**
Filed: **Jan. 16, 2020**

(51) **LOC (14) Cl.** **23-03**
(52) **U.S. Cl.**
USPC **D23/332; D23/339**

(58) **Field of Classification Search**
USPC D23/314, 317, 328, 329, 332, 334, 335,
D23/336, 338, 339, 341, 342-350;
D7/332, 334-337, 339, 341; D6/685,
D6/686, 688.12, 689, 691, 691.1
CPC F24C 7/105; F24C 1/10; F24C 3/04; F24C
7/065; F23D 14/12; F24H 3/00; A47J
2037/0777; A47J 37/0763; F24B 3/00;
F24B 1/95; F24B 1/00; F24B 13/00;
F24B 1/18; F24B 13/004; F24B 1/192;
F24B 1/181; F24B 1/182; F24B 1/1802
See application file for complete search history.

(56) **References Cited**
U.S. PATENT DOCUMENTS

3,491,744 A * 1/1970 Von Kohorn, Jr.
A47J 37/0781
D7/334
D233,499 S * 11/1974 Sakata D7/346
D442,808 S * 5/2001 Black D6/708.15
D513,312 S * 12/2005 Borowske D23/342

(Continued)

OTHER PUBLICATIONS

Amazon TACKLIFE Gas Fire Pit Table, 28 inch 50,000 BTU Steel Surface Outdoor Propane Fire Table https://www.amazon.com/dp/B07ZB9NG9R/ref=emc_b_5_i?th=1 (Year: 2020).*

Primary Examiner — Darlington Ly

(57) **CLAIM**

The ornamental design for a gas stove table, as shown and described.

DESCRIPTION

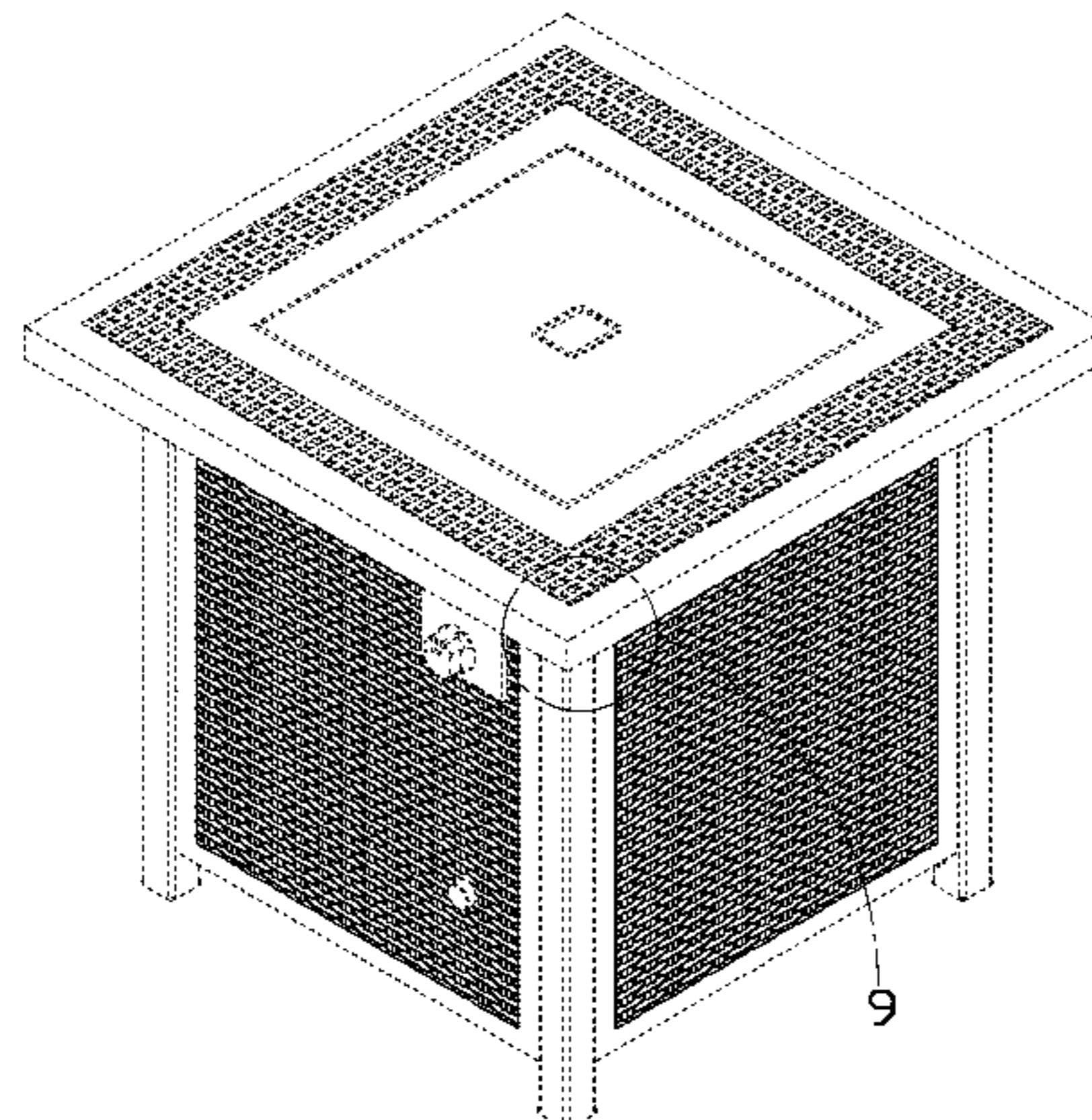
FIG. 1 is a front, right and top perspective view of a gas stove table showing our new design;
FIG. 2 is a rear, left and bottom perspective view thereof;
FIG. 3 is a front elevational view thereof;
FIG. 4 is a rear elevational view thereof;
FIG. 5 is a left side *elevational* view thereof;
FIG. 6 is a right side *elevational* view thereof;
FIG. 7 is a top plan view thereof;
FIG. 8 is a bottom plan view thereof; and,
FIG. 9 is an enlarged *and partial perspective* view of [portion] *area 9* in FIG. 1.

The broken lines in the drawings illustrate portions of the gas stove table [which] *that* form no part of the claimed design.

The dash-dot broken lines encircling area 9 in FIGS. 1 and 9 do not represent actual subject matter and are provided for annotative purposes to show the area of enlargement.

1 Claim, 9 Drawing Sheets

Matter enclosed in heavy brackets [] appears in the original patent but forms no part of this reissue; matter printed in italics indicates the additions made by reissue.



(Amended)

(56)

References Cited

U.S. PATENT DOCUMENTS

D580,194 S * 11/2008 Lambert D6/689
D580,681 S * 11/2008 Lambert D6/689
D613,968 S * 4/2010 Lambert D6/689
D618,933 S * 7/2010 Lambert D6/689
D698,908 S * 2/2014 Krieger D23/314
10,240,796 B1 * 3/2019 Stilwell F24B 1/191
D848,591 S * 5/2019 O'Brien Wheeler D23/343
D857,865 S * 8/2019 Wang D23/339
D901,651 S * 11/2020 Wang D23/339
D912,233 S * 3/2021 Zhang D23/339
D917,681 S * 4/2021 Zhang D23/339
D919,776 S * 5/2021 Zhong D23/339
D955,792 S * 6/2022 Li D6/691.1
D981,166 S * 3/2023 Wang D7/334
D981,167 S * 3/2023 Wang D7/334
D983,578 S * 4/2023 Chen D23/339
D987,794 S * 5/2023 Zemel D23/338
D995,736 S * 8/2023 Yan D23/339
D998,118 S * 9/2023 Li D23/339
D998,121 S * 9/2023 Zemel D23/338
D999,356 S * 9/2023 Cho D23/364
2017/0261210 A1 * 9/2017 Harris F24B 1/181
2019/0301739 A1 * 10/2019 Dobias F24C 5/08
2020/0191407 A1 * 6/2020 Zemel A47B 37/04

* cited by examiner

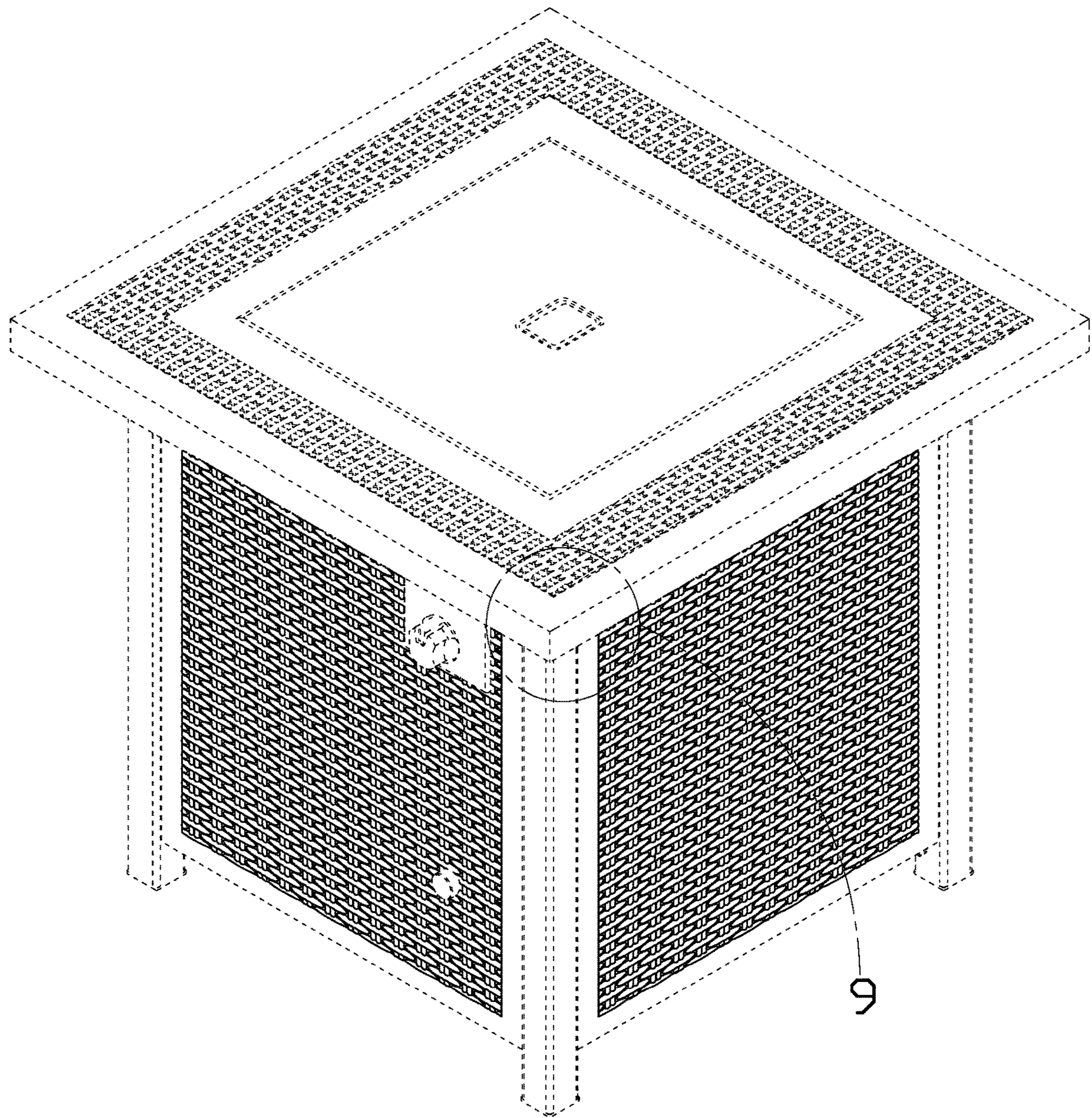


FIG. 1 (Amended)

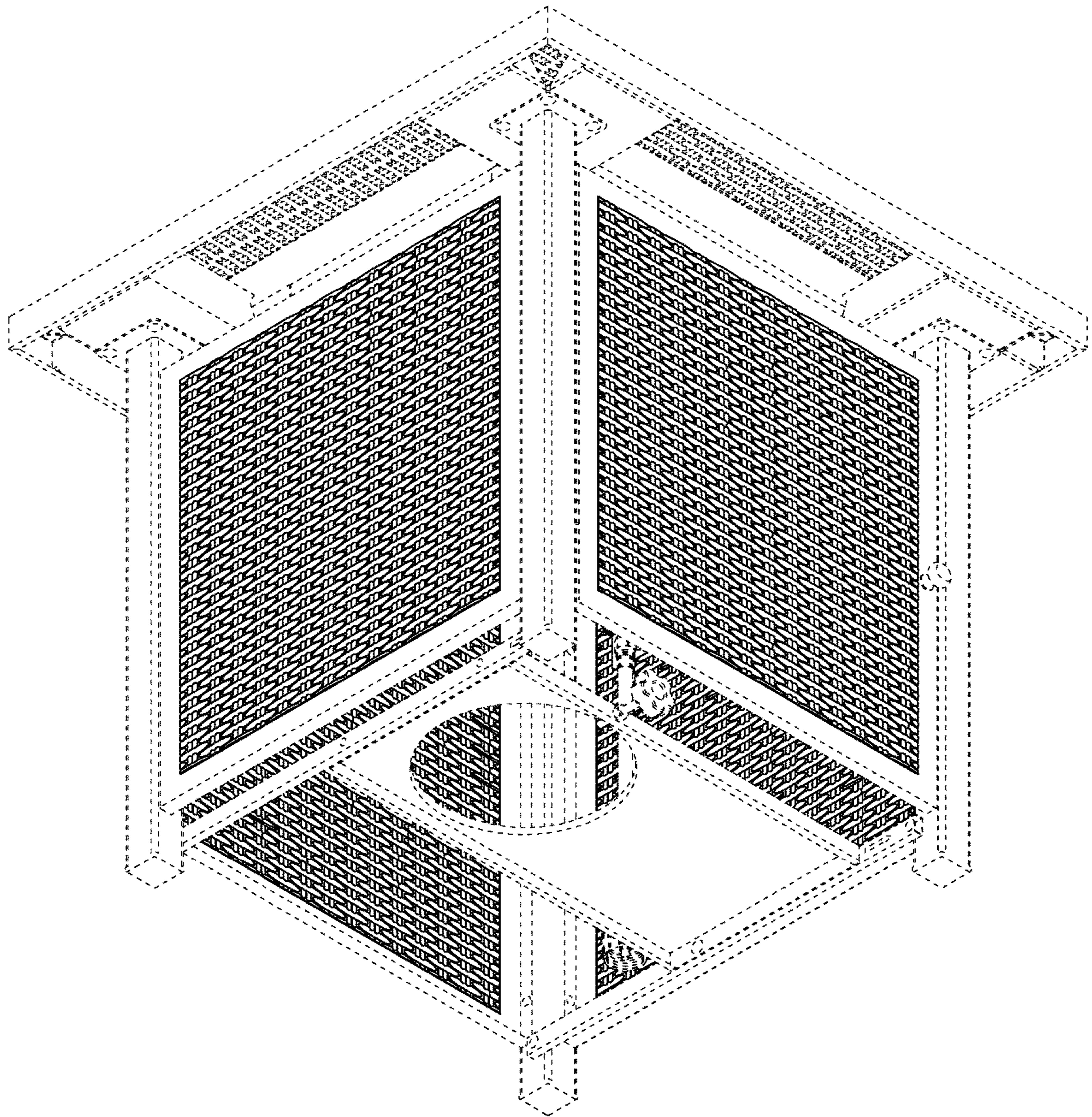


FIG. 2 (Amended)

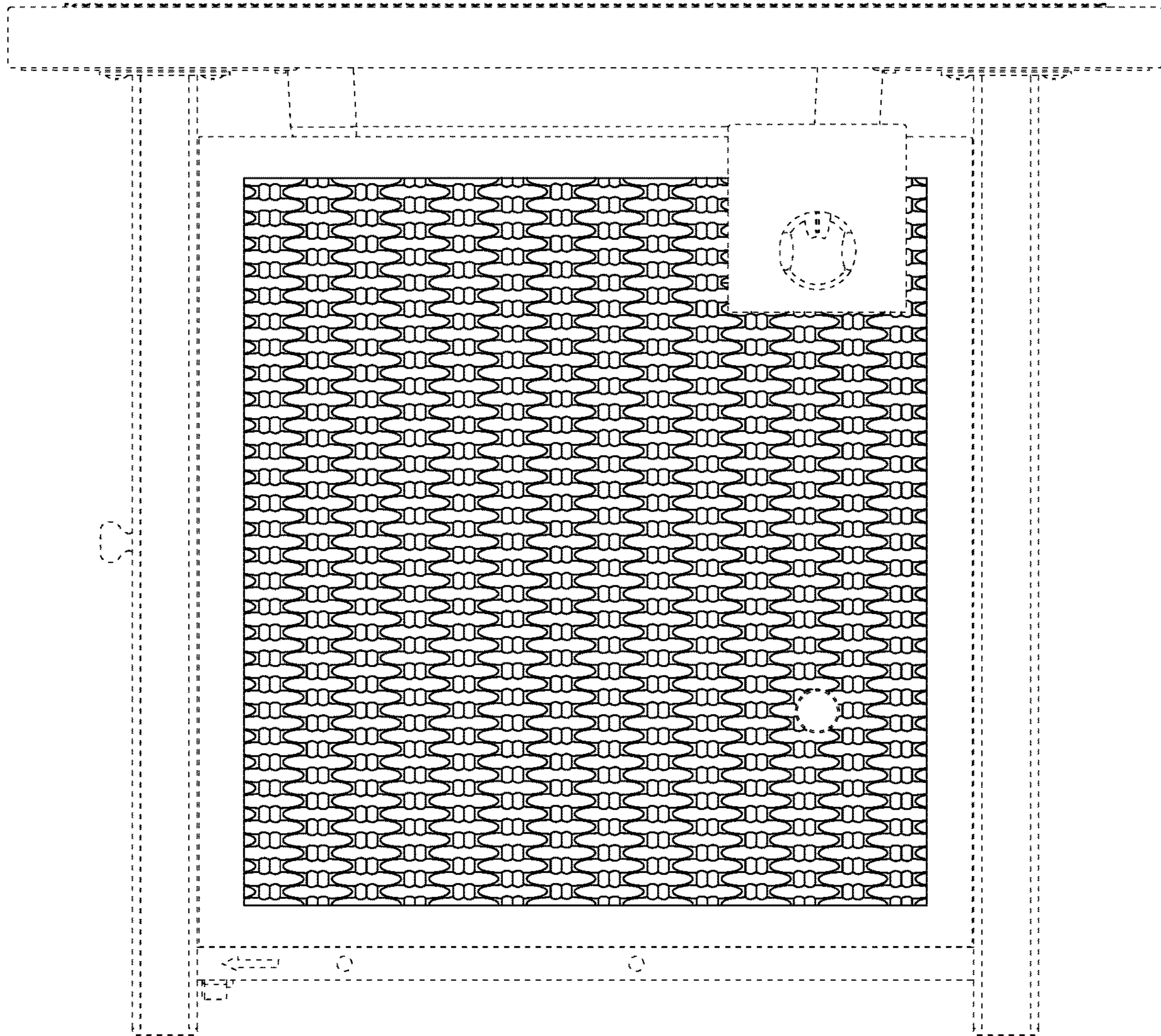


FIG. 3 (Amended)

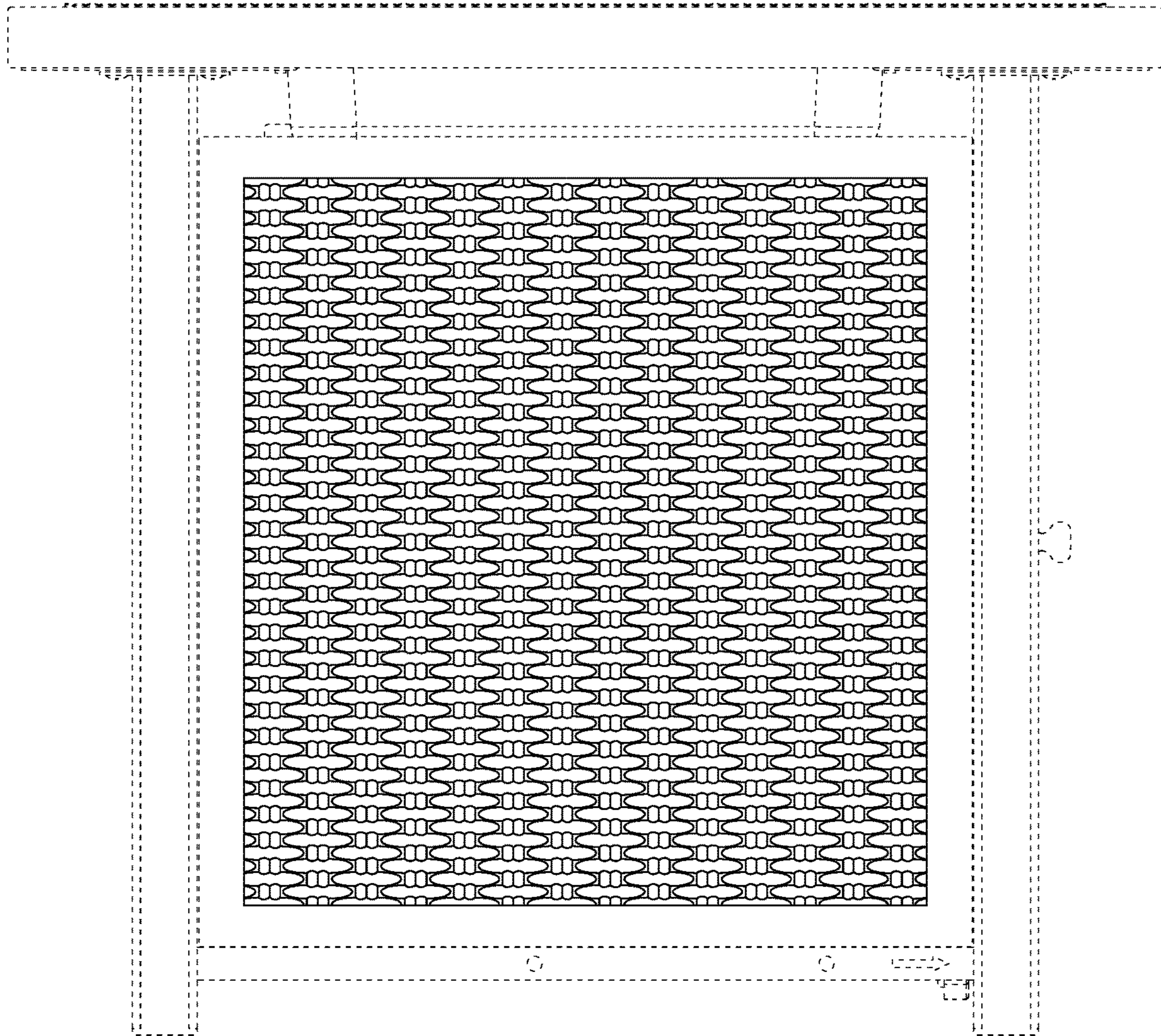


FIG. 4 (Amended)

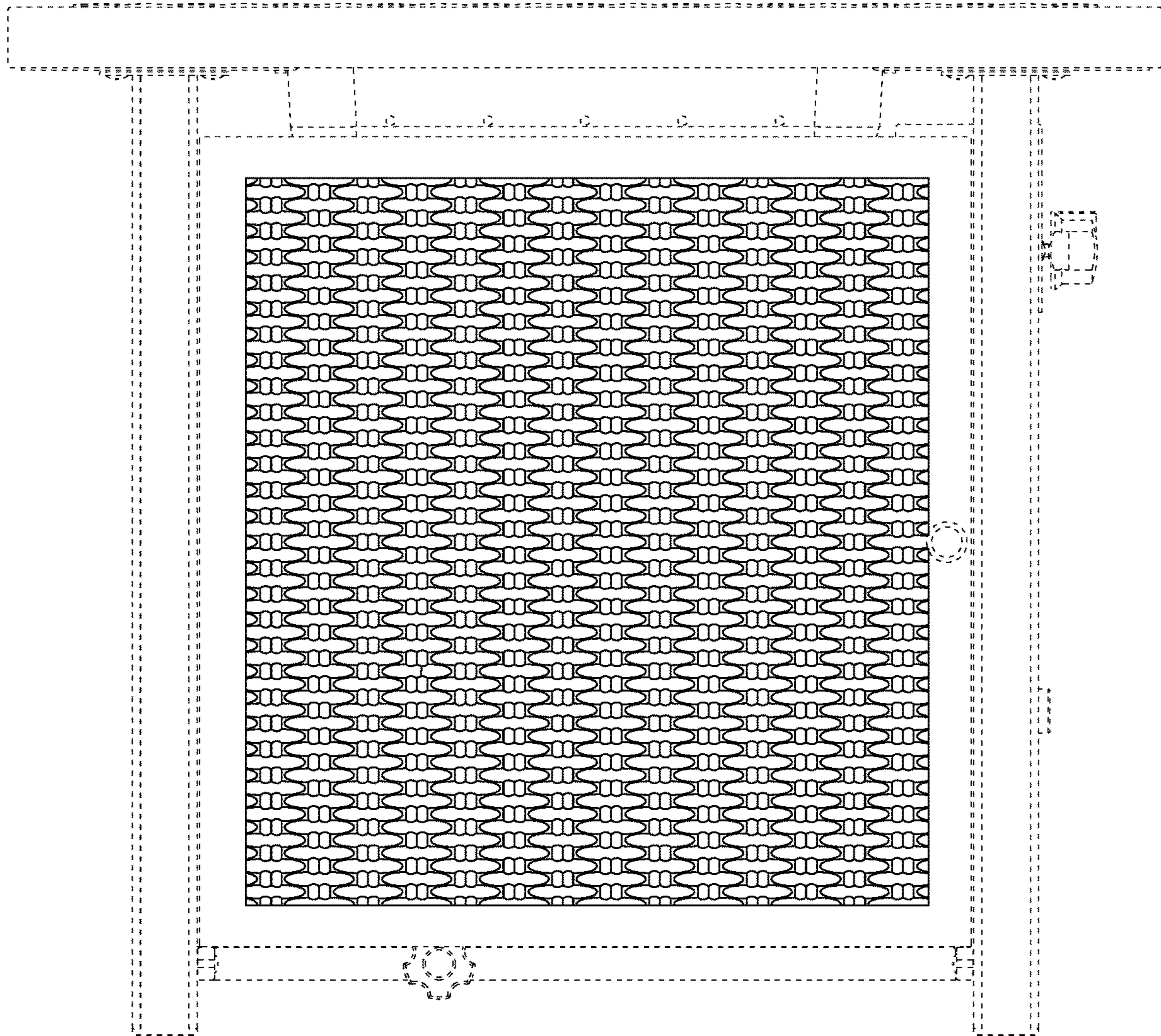


FIG. 5 (Amended)

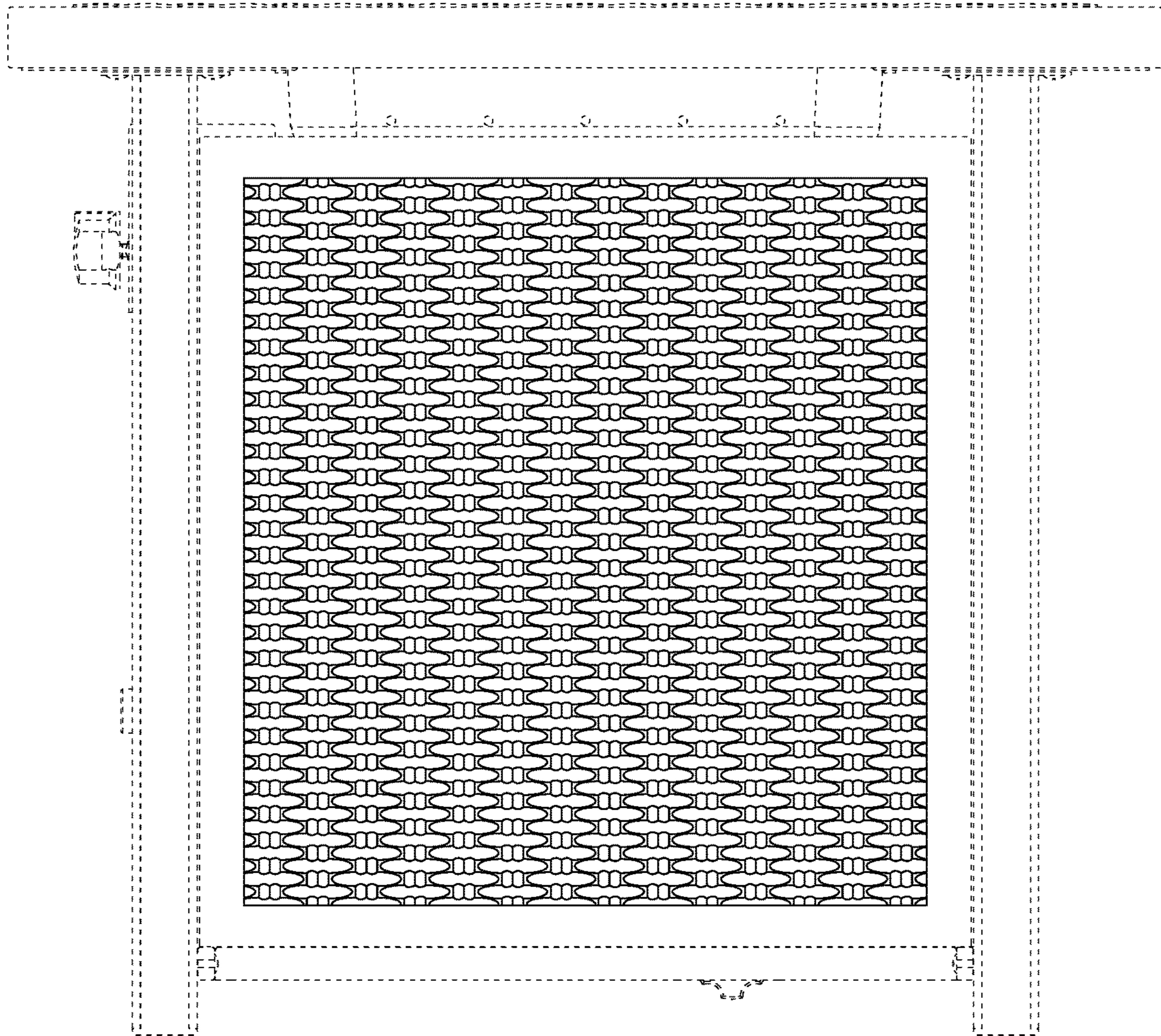


FIG. 6 (Amended)

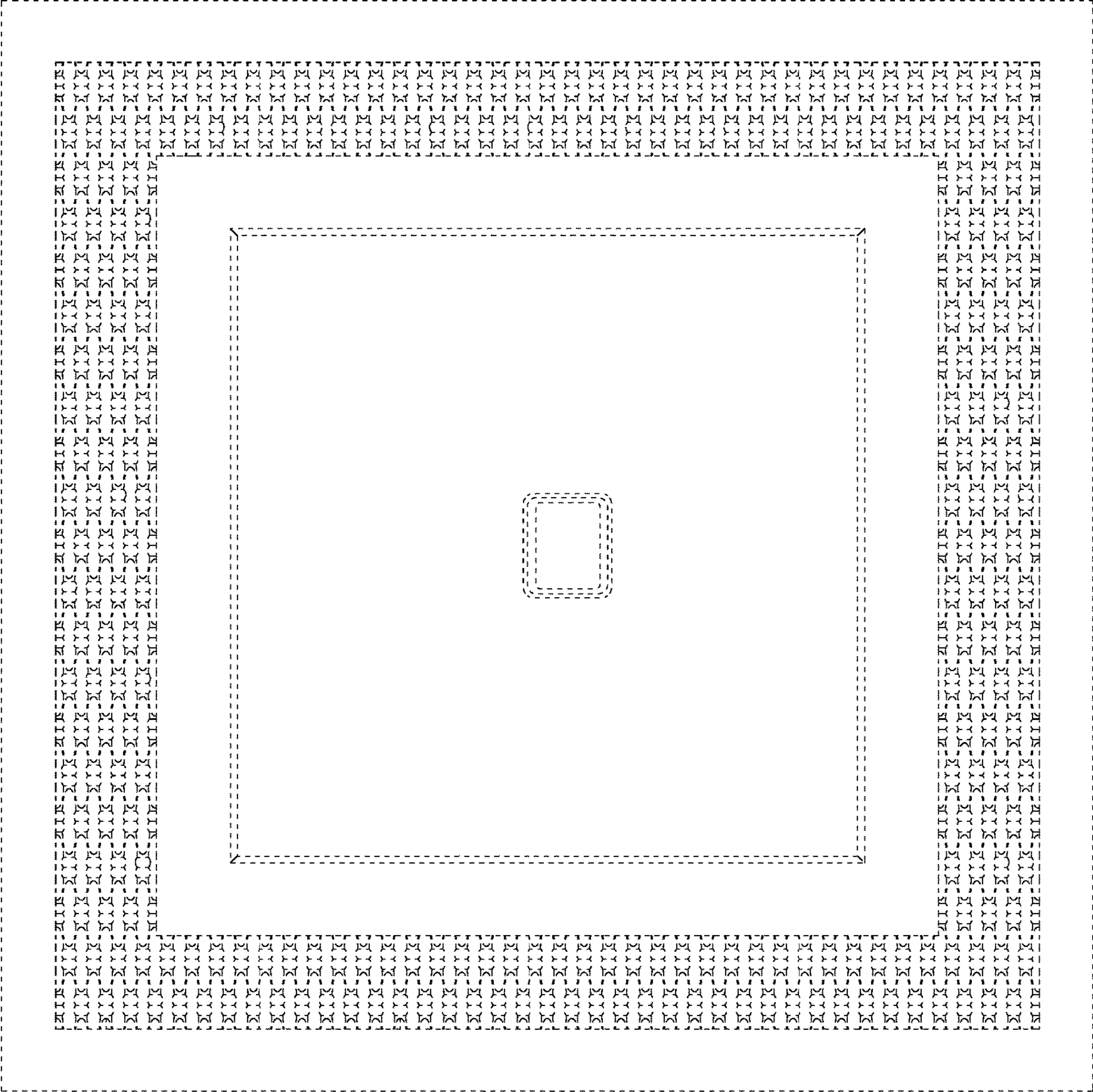


FIG. 7 (Amended)

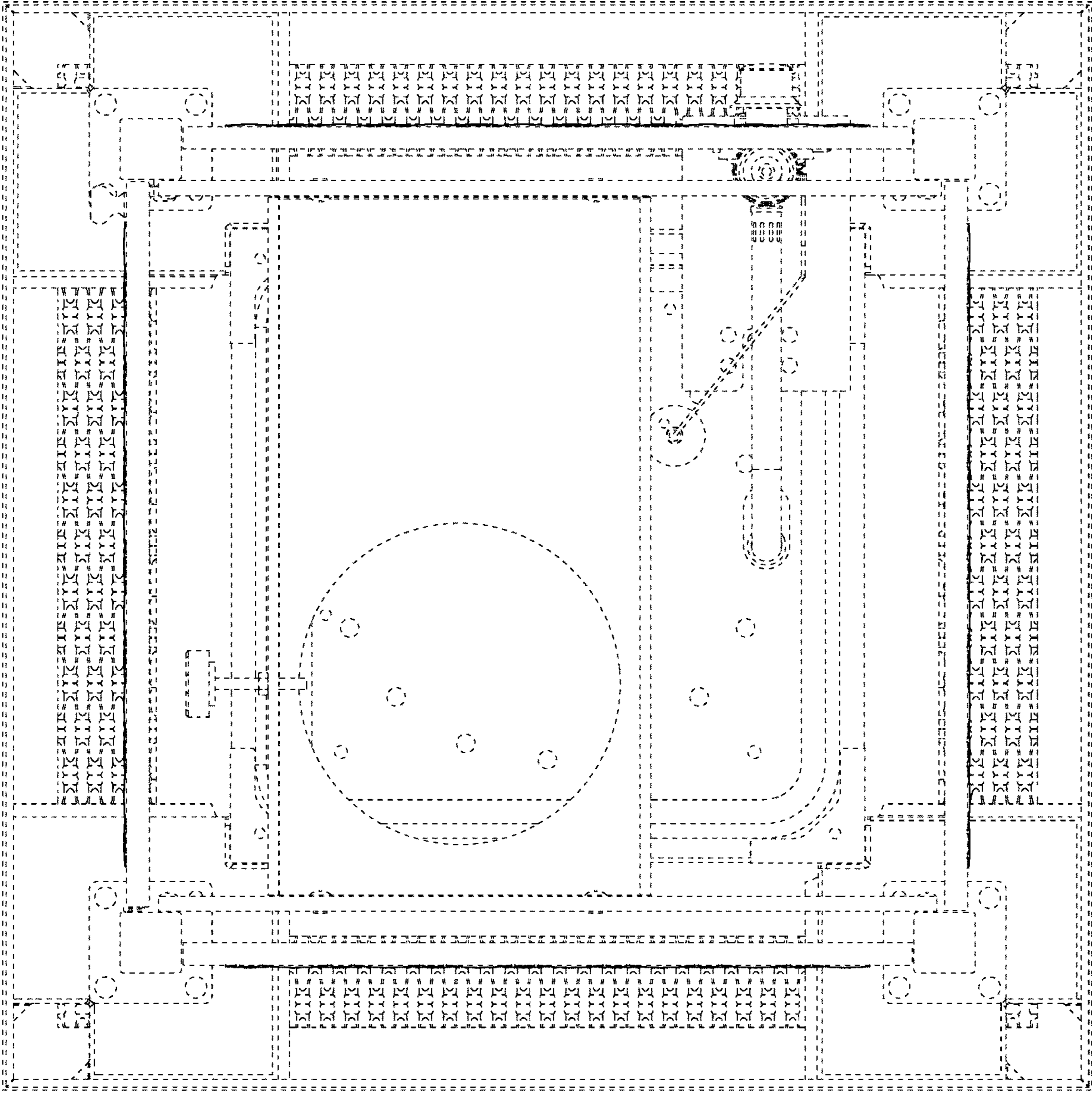


FIG. 8 (Amended)

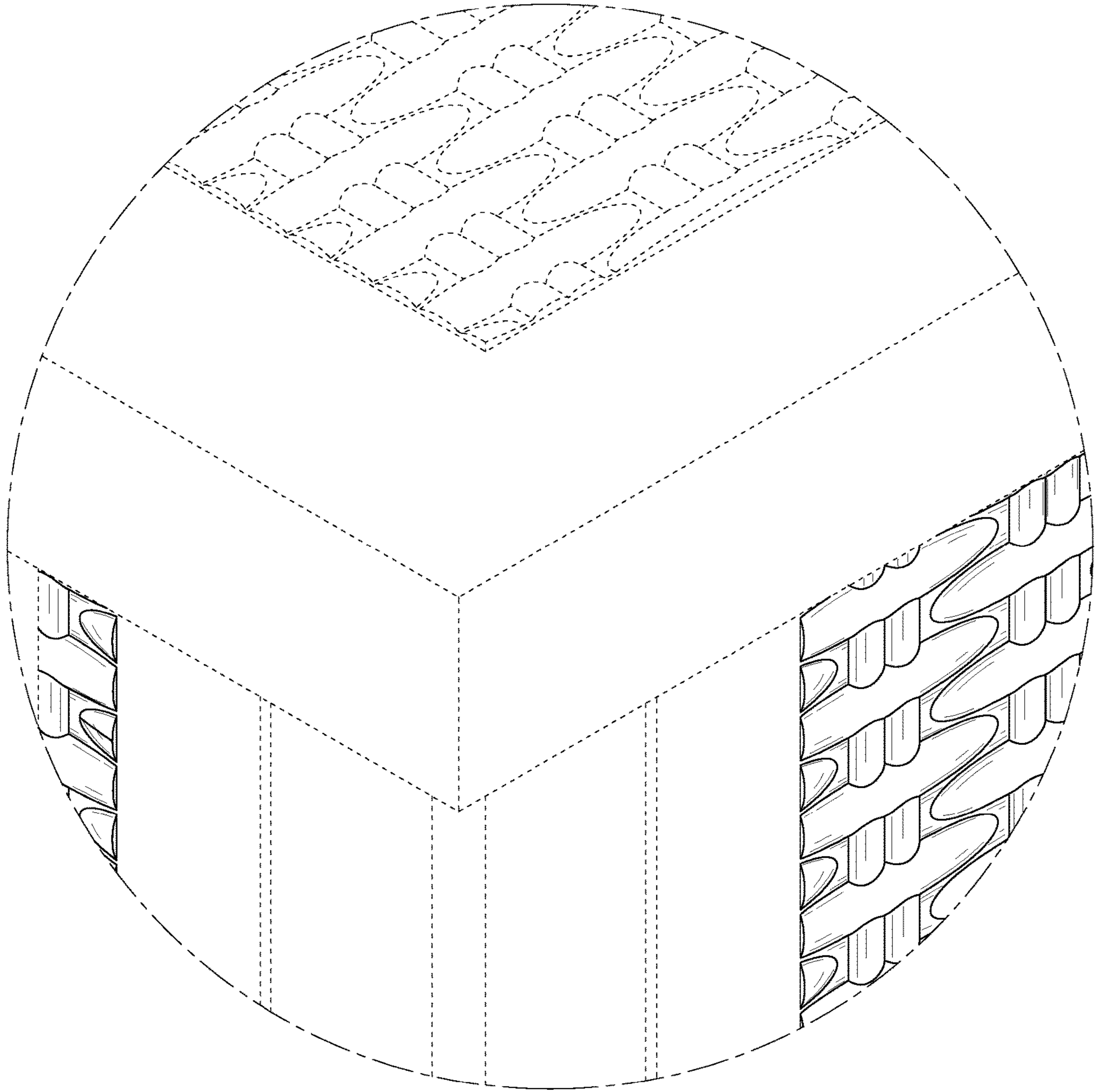


FIG. 9 (Amended)