



US00RE50058E

(19) **United States**  
(12) **Reissued Patent**  
**Brill et al.**

(10) **Patent Number: US RE50,058 E**  
(45) **Date of Reissued Patent: Jul. 30, 2024**

(54) <b>SEMI-ROUND FLOOR DRAIN</b>	4,406,480 A * 9/1983 Izzi ..... E03D 11/16 285/58
(71) Applicant: <b>INFINITY DRAIN LTD.</b> , Amityville, NY (US)	4,462,123 A * 7/1984 Morris ..... E03F 5/0407 4/286
(72) Inventors: <b>Jonathan Brill</b> , Amityville, NY (US); <b>Bhash Ramkarran</b> , Amityville, NY (US); <b>Alan Trink</b> , Amityville, NY (US)	D334,051 S * 3/1993 Fell, Sr. .... D23/262 5,492,372 A * 2/1996 Dranberg ..... E03D 11/16 285/15
(73) Assignee: <b>INFINITY DRAIN LTD.</b> , Amityville, NY (US)	D426,874 S * 6/2000 Warshawsky ..... D23/241 (Continued)

(21) Appl. No.: **29/831,857**

(22) Filed: **Mar. 23, 2022**

**Related U.S. Patent Documents**

Reissue of:

(64) Patent No.: **Des. 890,307**  
 Issued: **Jul. 14, 2020**  
 Appl. No.: **29/637,886**  
 Filed: **Feb. 22, 2018**

(51) **LOC (14) Cl.** ..... **23-01**

(52) **U.S. Cl.**  
USPC ..... **D23/259**

(58) **Field of Classification Search**  
 USPC ..... D23/259, 260, 261, 265, 303, 304  
 CPC ... E03C 1/23; E03C 1/26; E03C 1/262; E03C  
 1/22; E03C 1/264; E03C 1/03; E03C  
 1/24; E03C 1/28; E03C 1/298; E03F  
 5/0404; E03F 5/06; F15D 1/0005; F16L  
 11/00; F16L 37/252; E04D 13/0409;  
 E04H 4/1236; E04H 4/169; B08B 9/0936  
 See application file for complete search history.

(56) **References Cited**

**U.S. PATENT DOCUMENTS**

1,648,665 A \* 11/1927 Swanson ..... E03D 11/16  
285/56  
 2,803,348 A \* 8/1957 Bingham ..... E03F 5/06  
210/498  
 4,146,939 A \* 4/1979 Izzi ..... E03F 5/0409  
4/286

**OTHER PUBLICATIONS**

Office Action dated May 30, 2019 in corresponding U.S. Appl. No. 29/637,886.

(Continued)

*Primary Examiner* — Philip S Hyder  
(74) *Attorney, Agent, or Firm* — F. Chau & Associates, LLC

(57) **CLAIM**

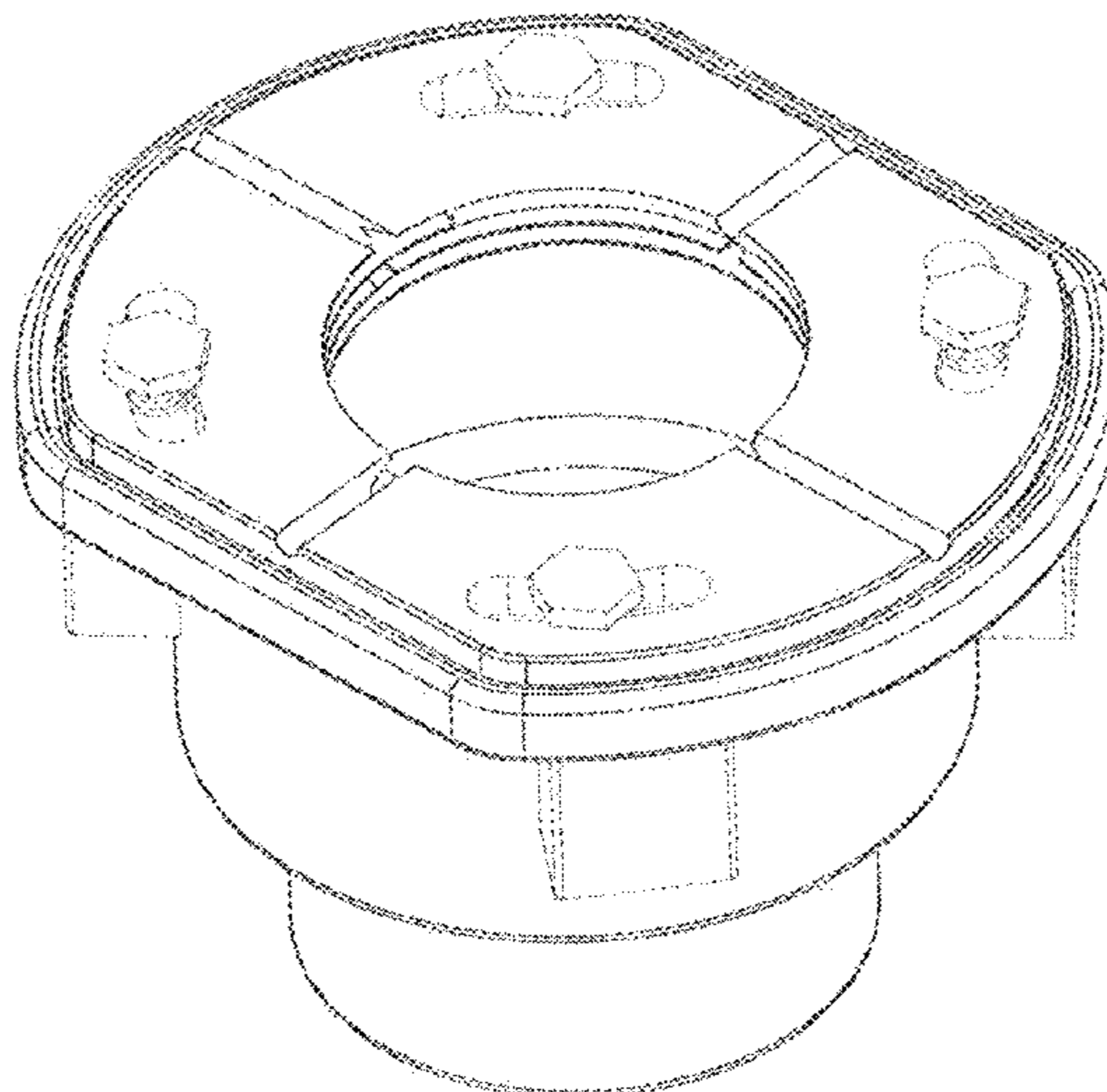
The ornamental design for a semi-round floor drain, as shown and described.

**DESCRIPTION**

FIG. 1 is a perspective view of a semi-round floor drain in accordance with the present invention;  
 FIG. 2 is a top plan view thereof;  
 FIG. 3 is a left elevational view thereof;  
 FIG. 4 is a bottom elevational view thereof;  
 FIG. 5 is a right elevational view thereof;  
 FIG. 6 is a front elevational view thereof; and,  
 FIG. 7 is a rear elevational view thereof.  
 The broken lines shown in the drawings illustrate portions of the semi-round floor drain and screws used with the semi-round floor drain that form no part of the claimed design.

**1 Claim, 4 Drawing Sheets**

**Matter enclosed in heavy brackets [ ] appears in the original patent but forms no part of this reissue; matter printed in italics indicates the additions made by reissue.**



(56)

References Cited

U.S. PATENT DOCUMENTS

D447,224 S \* 8/2001 Barnum ..... D23/308  
 6,408,918 B1 \* 6/2002 Hummell ..... B32B 38/1841  
 156/391  
 6,416,084 B1 \* 7/2002 Mantyla ..... E03D 11/16  
 285/56  
 6,442,769 B1 \* 9/2002 Phillips ..... F16L 23/12  
 4/252.4  
 D506,668 S \* 6/2005 Black ..... D8/354  
 D509,887 S \* 9/2005 Sutopo ..... D23/293.1  
 D542,396 S \* 5/2007 Bates ..... D23/313  
 7,309,443 B2 \* 12/2007 Kelty ..... C02F 1/325  
 210/167.1  
 D574,931 S \* 8/2008 Hughes ..... D23/262  
 D579,092 S \* 10/2008 Cummings ..... D23/313  
 7,624,759 B1 \* 12/2009 Ismert ..... E03C 1/22  
 4/293  
 D633,605 S \* 3/2011 Tanus ..... D23/308  
 7,964,095 B1 \* 6/2011 Graybeal ..... E03F 5/04  
 52/302.1  
 D641,459 S \* 7/2011 Corpuz, Jr. .... D23/313  
 D647,181 S \* 10/2011 Kovach ..... E03D 11/16  
 D23/259  
 D649,627 S \* 11/2011 Corpuz, Jr. .... D23/313  
 D693,856 S \* 11/2013 Thompson ..... D15/28  
 D699,821 S \* 2/2014 Beaudoin ..... D23/267  
 D715,901 S \* 10/2014 Antoniello ..... E03D 11/16  
 D23/259  
 D722,366 S \* 2/2015 Beaudoin ..... D23/261  
 D722,679 S \* 2/2015 Beaudoin ..... D23/261  
 D725,238 S \* 3/2015 Beaudoin ..... D23/261  
 D729,354 S \* 5/2015 Kieper ..... E03D 11/16  
 D23/262  
 D739,507 S \* 9/2015 Watson ..... D23/262  
 9,157,213 B2 \* 10/2015 Beaudoin ..... E05C 3/12  
 D751,676 S \* 3/2016 Frick ..... F16L 37/841  
 D23/262  
 D787,646 S \* 5/2017 Davis ..... D23/259  
 D883,449 S \* 5/2020 Newcomb ..... E03D 11/16  
 D23/259  
 10,774,515 B1 \* 9/2020 Esquivel ..... E03D 11/17  
 11,186,977 B2 \* 11/2021 Lorkowski ..... E03D 11/16  
 11,371,232 B1 \* 6/2022 Ronan, Sr. .... E03D 11/16  
 2002/0148039 A1 \* 10/2002 Minnick ..... E03F 5/0407  
 4/613  
 2003/0115814 A1 \* 6/2003 Nielsen ..... E03F 5/0406  
 52/302.1  
 2009/0145828 A1 \* 6/2009 Andrei ..... F04D 29/708  
 210/167.1  
 2010/0229297 A1 \* 9/2010 Eriksson ..... E03C 1/264  
 4/679

2011/0162132 A1 \* 7/2011 Pen Nuri ..... E03D 11/16  
 4/252.4  
 2014/0208495 A1 \* 7/2014 Wang ..... E03D 11/16  
 4/252.4  
 2014/0255098 A1 \* 9/2014 Beaudoin ..... E05C 3/12  
 405/36  
 2014/0359927 A1 \* 12/2014 Hong ..... E03D 11/16  
 4/252.4  
 2019/0106874 A1 \* 4/2019 Brill ..... E03F 5/0408

OTHER PUBLICATIONS

Office Action dated Nov. 19, 2019 in corresponding U.S. Appl. No. 29/637,886.  
 Infinity Drain CDA 22 2" Clamp Down Drain, ABS, [https://www.amazon.com/infinity-Drain-CDA-Clamp-Down/dp/B00Lc196J0/ref=sr\\_1\\_99\\_sspacrid=36JJRZ9Y6R71X&keywords=infinity+drain&qid=1558612699&s=gateway&sprefix=infinity+drain%2Caps%2C141&sr=8-99-spons&spec=1](https://www.amazon.com/infinity-Drain-CDA-Clamp-Down/dp/B00Lc196J0/ref=sr_1_99_sspacrid=36JJRZ9Y6R71X&keywords=infinity+drain&qid=1558612699&s=gateway&sprefix=infinity+drain%2Caps%2C141&sr=8-99-spons&spec=1) (Year: 2017).  
 Infinity Drain CDI 22 2" Clamp Down Drain, Cast Iron, [https://www.amazon.com/Infinity-Drain-Clamp-Down-Cast/dp/B008H85W1Y/ref=pd\\_day0\\_hi\\_60\\_5/143\\_5672237-2678107?encoding=UTF8&pd\\_rd\\_i=B008H85W1Y&pd\\_rd\\_r=b54ec78e-7d52-11e9-ae3-91e0c1ba0bc6&pd\\_rd\\_w=17K](https://www.amazon.com/Infinity-Drain-Clamp-Down-Cast/dp/B008H85W1Y/ref=pd_day0_hi_60_5/143_5672237-2678107?encoding=UTF8&pd_rd_i=B008H85W1Y&pd_rd_r=b54ec78e-7d52-11e9-ae3-91e0c1ba0bc6&pd_rd_w=17K) (Year: 2012).  
 Infinity Drain CDS 22 2" Clamp Down Drain, ABS, [https://www.amazon.com/infinity-Drain-CDA-Clamp-Down/dp/B00Lc196J0/ref=sr\\_1\\_99\\_sspacrid=36JJRZ9Y6R71X&keywords=infinity+drain&qid=1558612699&s=gateway&sprefix=infinity+drain%2Caps%2C141&sr=8-99-spons&spec=1](https://www.amazon.com/infinity-Drain-CDA-Clamp-Down/dp/B00Lc196J0/ref=sr_1_99_sspacrid=36JJRZ9Y6R71X&keywords=infinity+drain&qid=1558612699&s=gateway&sprefix=infinity+drain%2Caps%2C141&sr=8-99-spons&spec=1) (Year: 2017).  
 Infinity Drain 2in. No Hub Plastic Floor Drain ICDP22; Ferguson Website: Copyright 2019; Visited online Oct. 10, 2019; [https://www.ferguson.com/product/infinity-drain-2-in-no-hub-plastic-floor-drain-icdp22/\\_/R-4642315](https://www.ferguson.com/product/infinity-drain-2-in-no-hub-plastic-floor-drain-icdp22/_/R-4642315) (Year: 2019).  
 330-NL Assemblies; Lakeside Supply Company PDF p. 1; Posted online 3 years ago; 2016; Visited online Oct. 10, 2019; <https://docplayer.net/23075283-Wade-specification-drainage-products.html> (Year: 2016).  
 330-NL Assemblies; Lakeside Supply Company PDF p. 1; WayBack Internet Archive Date Aug. 16, 2017, Posted online 11 months earlier Jul. 2016; Visited Online Oct. 10, 2019; <https://web.archive.org/web/20170816200644/https://docplayer.net/23075283-Wade-specification-drainage-products.html> (Year: 2016).  
 Infinity Drain Throat ABS Clamp Down Drain Model CDA 22; Build.com website copyright date 2000-2019; Visited Online Oct. 10, 2019; <https://www.build.com/infinity-drain-cda-22/s1364853#overview>.  
 Clamp Down Floor Drain CDI 22; Infinity Drain Website; Visited online Oct. 10, 2019; Wayback Internet Archive Date Dec. 19, 2016; [https://web.archive.org/web/20161219181902/http://infinitydrain.com/components-and-parts?component\\_type=parts](https://web.archive.org/web/20161219181902/http://infinitydrain.com/components-and-parts?component_type=parts) (Year: 2016).

\* cited by examiner

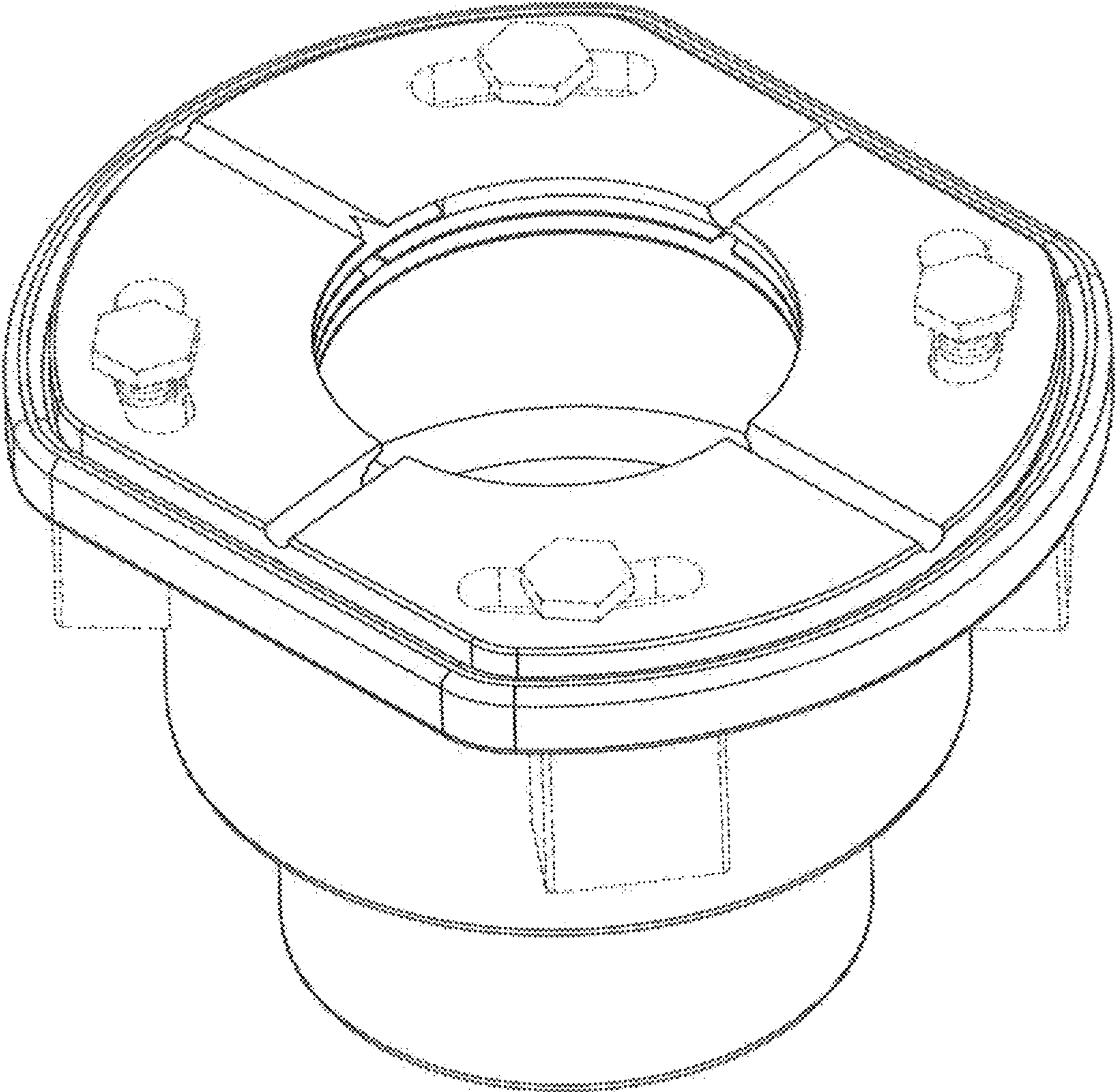


FIG. 1

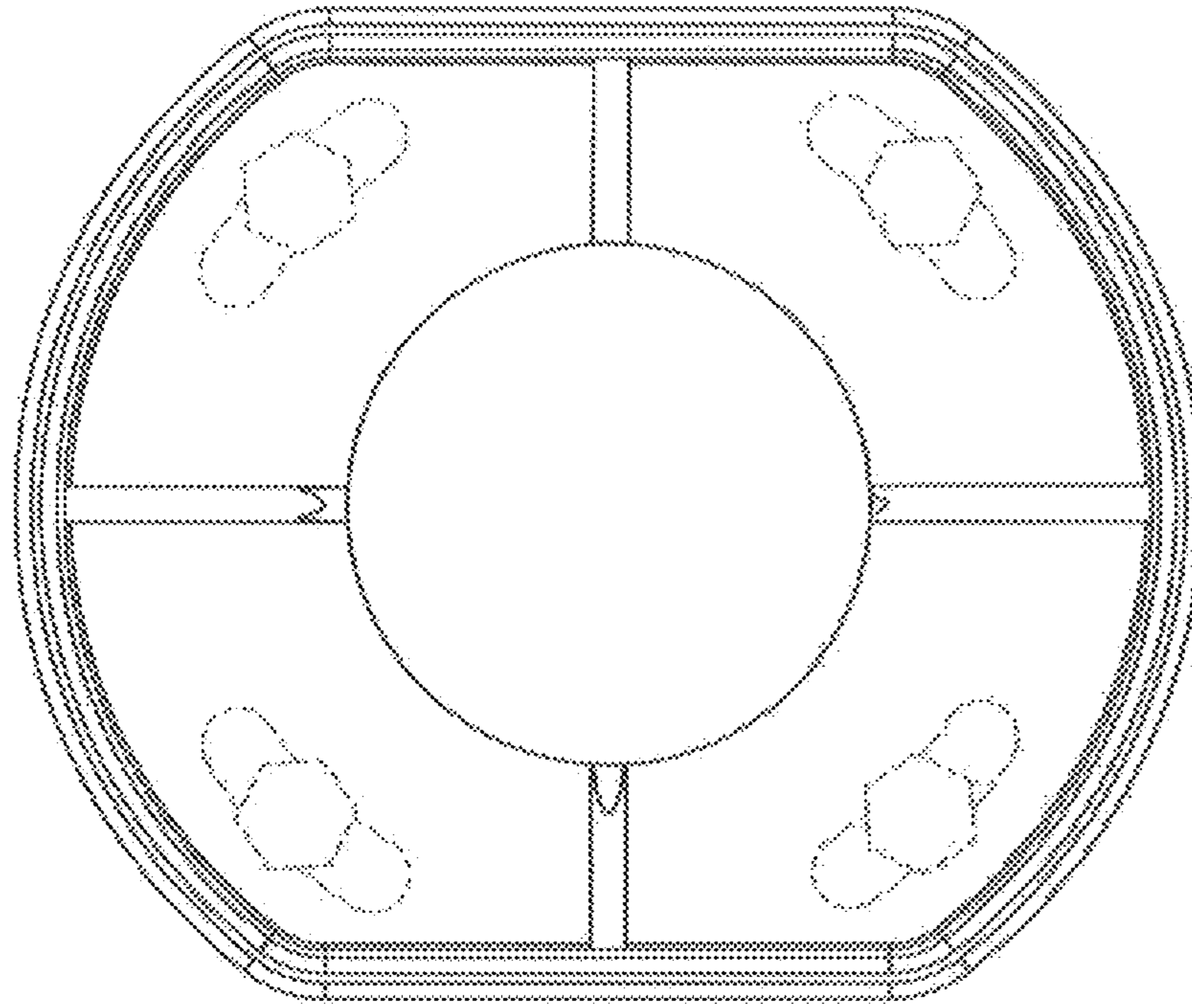


FIG. 2

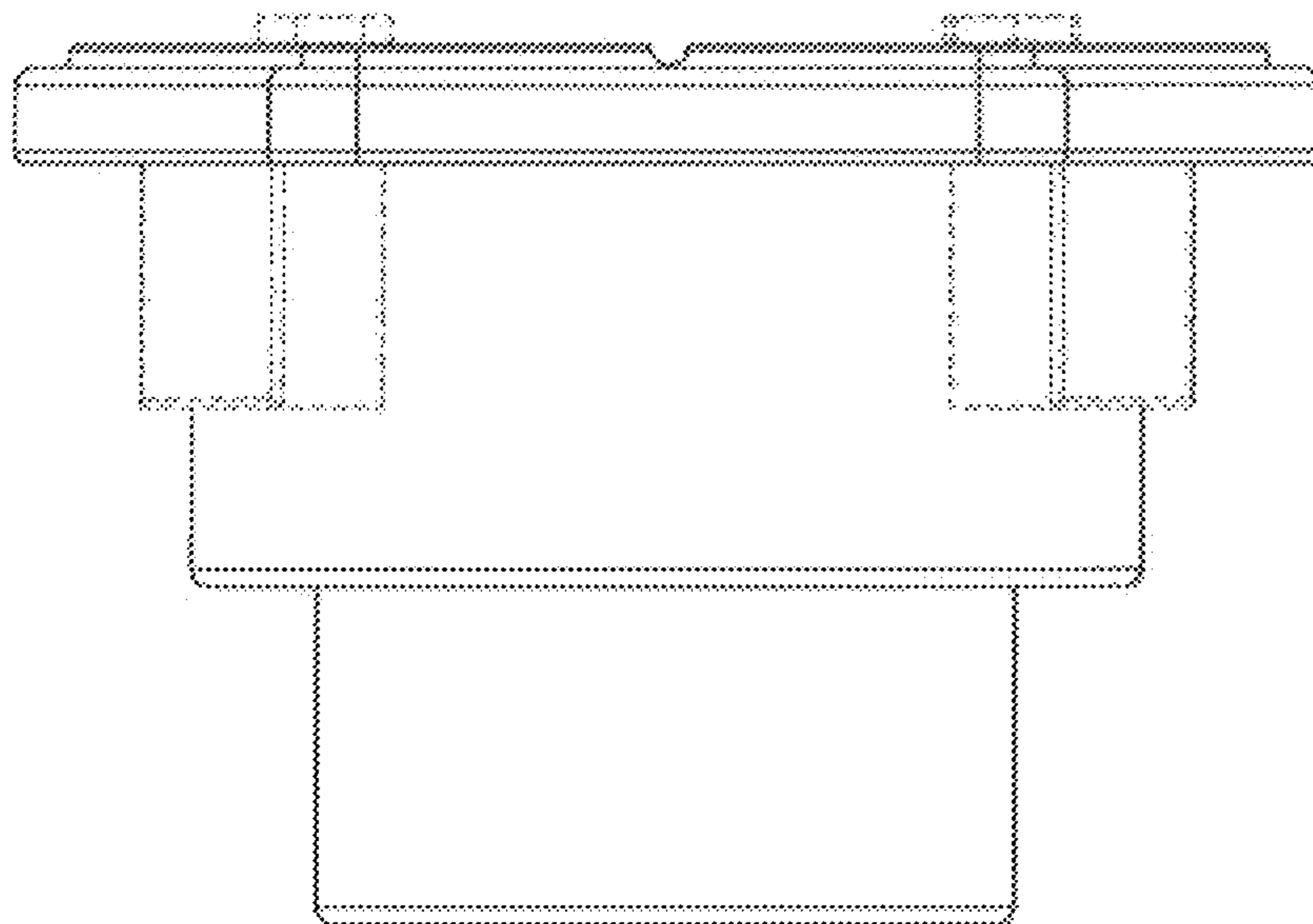
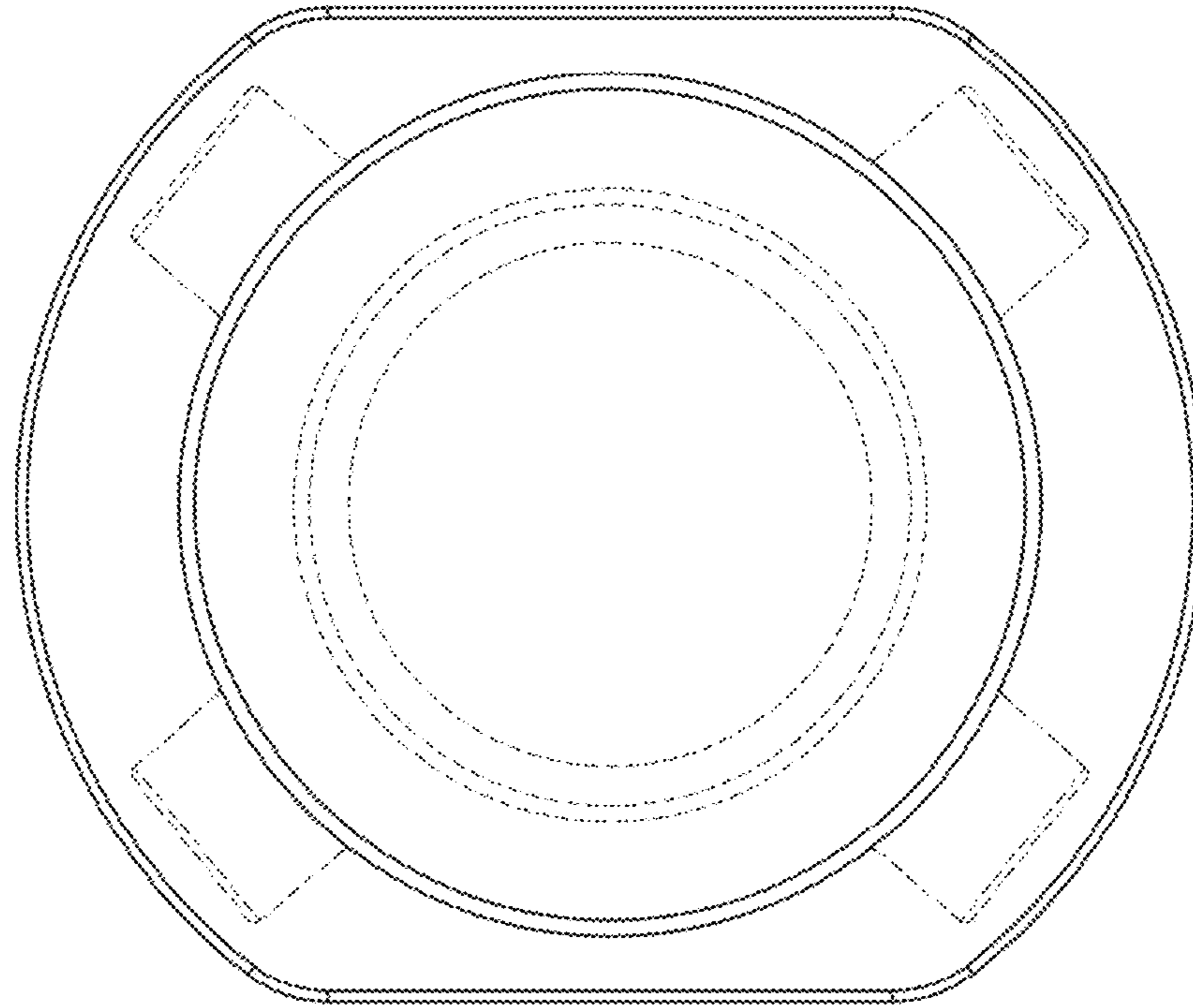
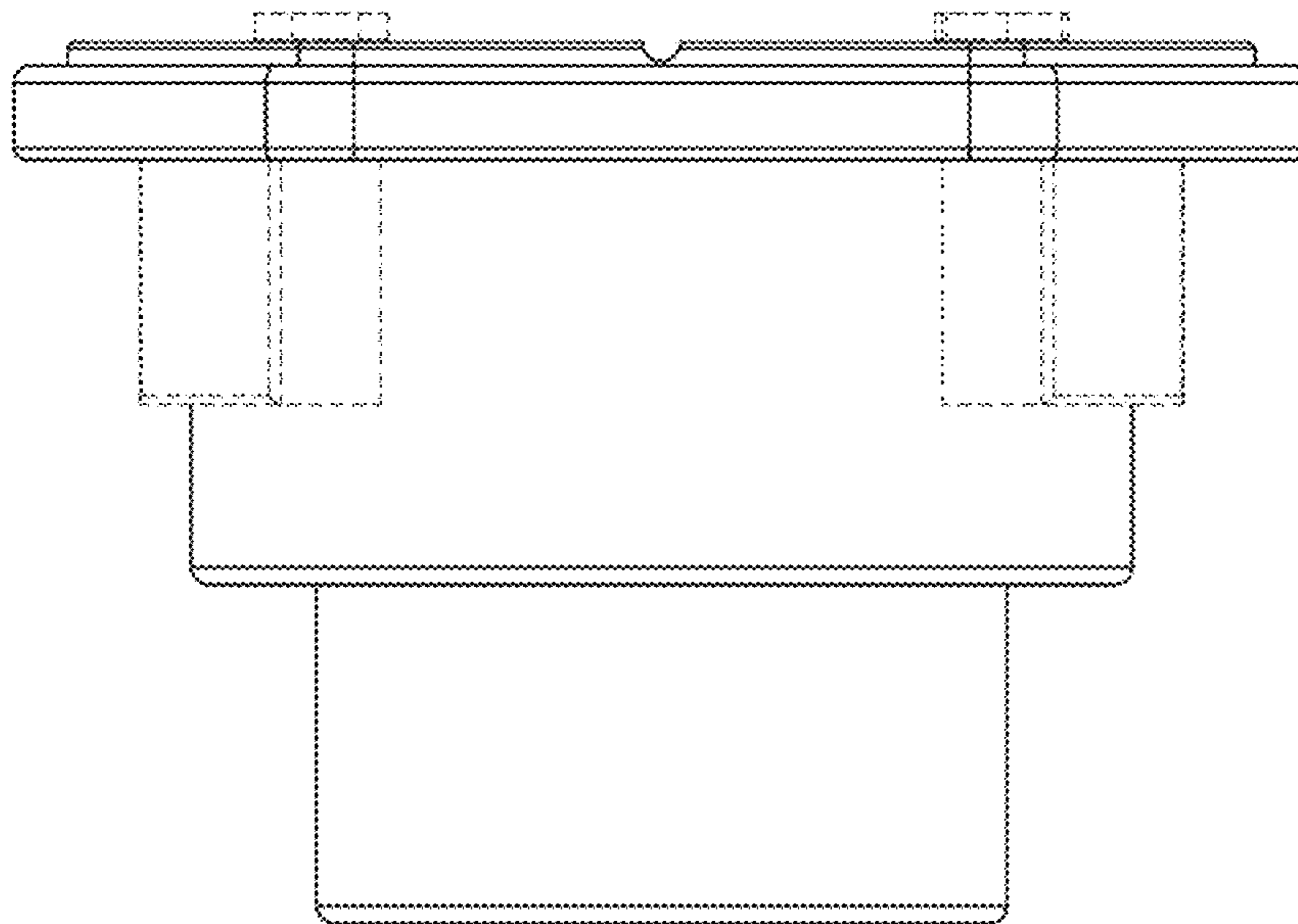


FIG. 3



**FIG. 4 (Amended)**



**FIG. 5**

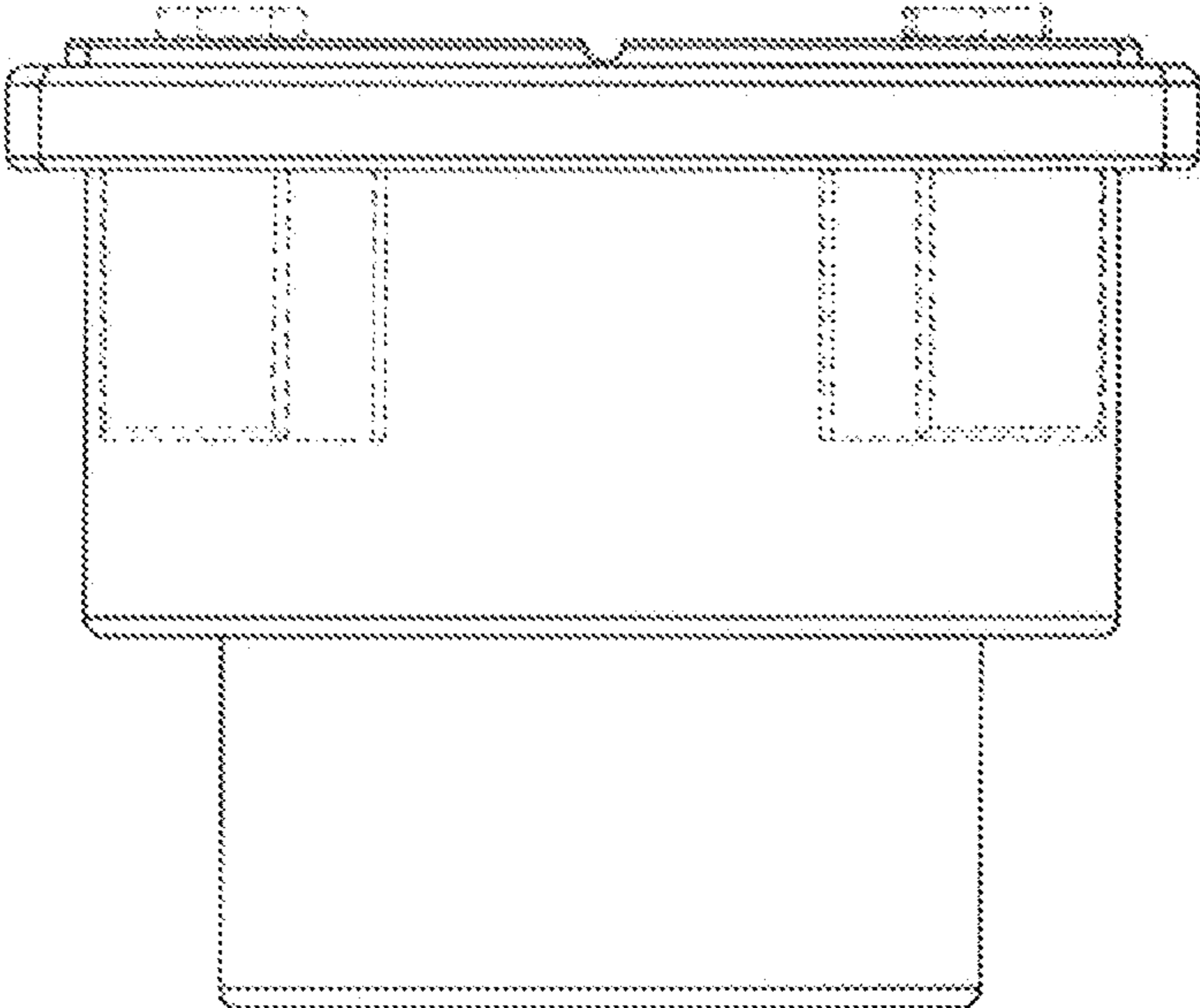


FIG. 6

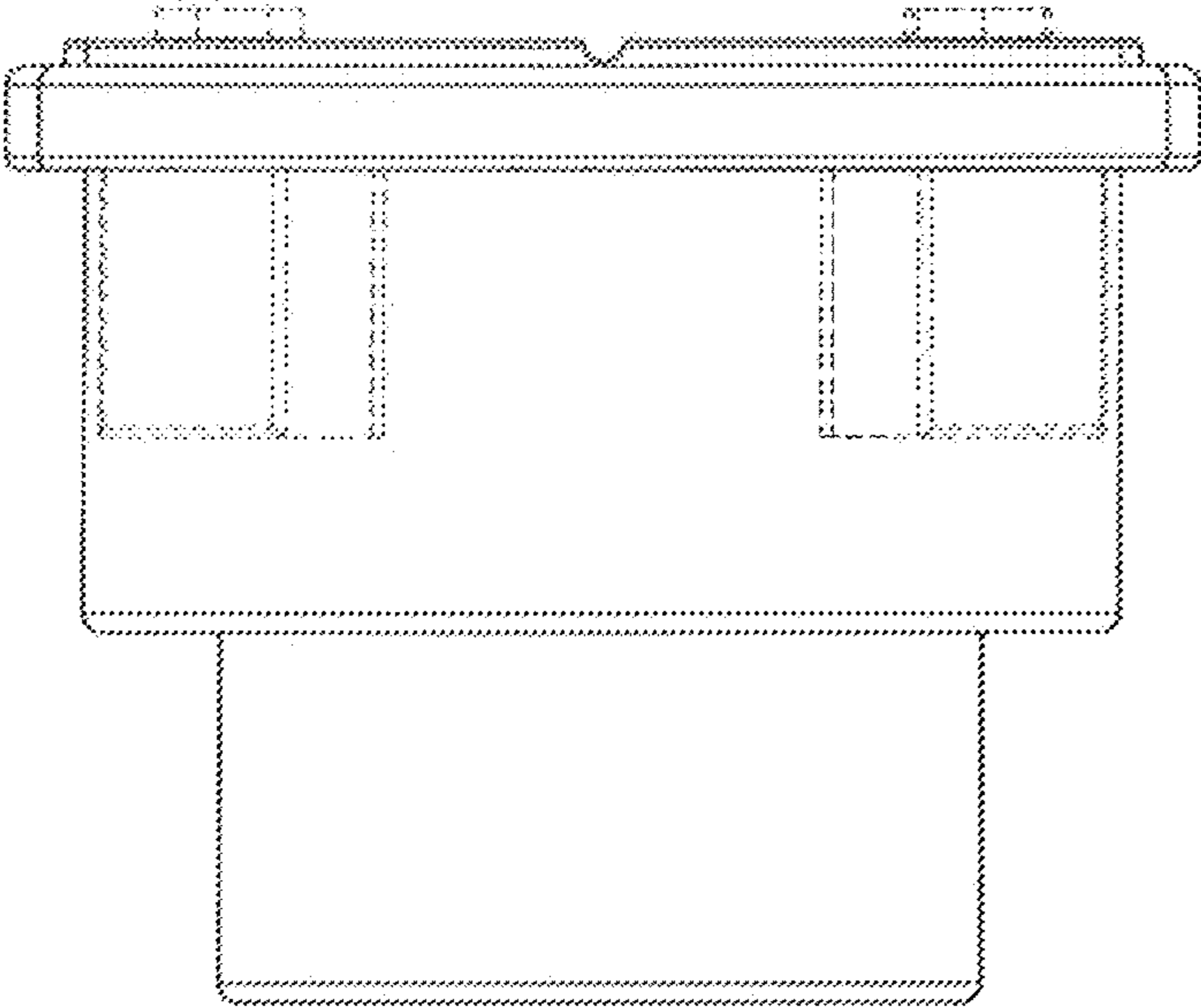


FIG. 7