



US00RE50012E

(19) **United States**
(12) **Reissued Patent**
Song et al.

(10) **Patent Number: US RE50,012 E**
(45) **Date of Reissued Patent: Jun. 11, 2024**

(54) **ORGANIC LIGHT-EMITTING DIODE DISPLAY**

(56) **References Cited**

(71) Applicant: **SAMSUNG DISPLAY CO., LTD.**,
Yongin-si (KR)
(72) Inventors: **Hee Rim Song**, Seoul (KR); **Mu**
Kyung Jeon, Ulsan (KR); **Chong Chul**
Chai, Seoul (KR)
(73) Assignee: **SAMSUNG DISPLAY CO., LTD.**,
Yongin-si (KR)

U.S. PATENT DOCUMENTS

6,943,372 B2 * 9/2005 Lin H01L 27/12
257/347
7,071,613 B2 7/2006 Kim et al.
(Continued)

FOREIGN PATENT DOCUMENTS

JP 4302914 2/2009
JP 4302914 B2 2/2009
(Continued)

(21) Appl. No.: **17/713,314**

(22) Filed: **Apr. 5, 2022**

OTHER PUBLICATIONS

Notice of Allowance dated Jun. 27, 2022 in the Corresponding KR
Patent Application No. 10-2021-0170344.

(Continued)

Related U.S. Patent Documents

Reissue of:

(64) Patent No.: **10,615,240**
Issued: **Apr. 7, 2020**
Appl. No.: **14/928,991**
Filed: **Oct. 30, 2015**

Primary Examiner — Robert L Nasser

(74) *Attorney, Agent, or Firm* — F. Chau & Associates,
LLC

(30) **Foreign Application Priority Data**

Apr. 28, 2015 (KR) 10-2015-0059994

(57) **ABSTRACT**

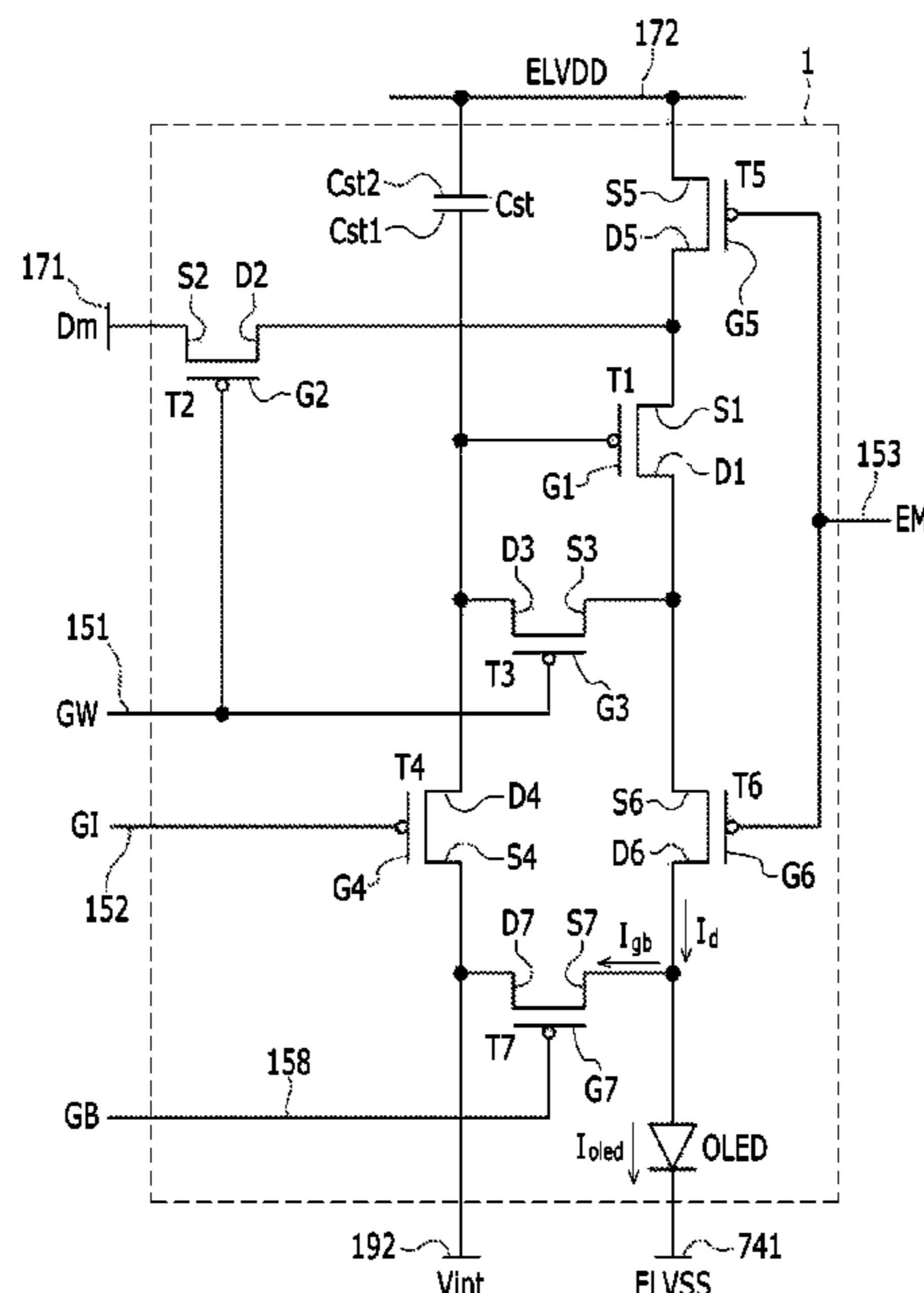
An organic light-emitting diode display is disclosed. In one aspect, the display includes a plurality of pixels formed in a plurality of intersection areas of a plurality of data lines and a plurality of scan lines. Each of the pixels includes a storage capacitor configured to store a data voltage, at least one target transistor having one end electrically connected to a current path of the storage capacitor, an organic light emitting layer, and a first electrode of an OLED formed over the organic light emitting layer. The first electrode includes a first electrode extension configured to block at least a portion of the target transistor from light.

(51) **Int. Cl.**
H01L 27/32 (2006.01)
G09G 3/3233 (2016.01)
(Continued)

(52) **U.S. Cl.**
CPC **H10K 59/126** (2023.02); **G09G 3/3233**
(2013.01); **H10K 50/813** (2023.02);
(Continued)

(58) **Field of Classification Search**
CPC H01L 27/3272; H01L 27/3262; H01L
51/5209; H01L 51/5218; H01L 27/3211;
(Continued)

48 Claims, 7 Drawing Sheets



US RE50,012 E

Page 2

- (51) **Int. Cl.**
H01L 51/52 (2006.01)
H10K 50/813 (2023.01)
H10K 50/818 (2023.01)
H10K 59/121 (2023.01)
H10K 59/126 (2023.01)
H10K 59/35 (2023.01)

2012/0293496 A1* 11/2012 Park G09G 3/003
345/419
2014/0027732 A1 1/2014 Pyo et al.
2014/0111490 A1* 4/2014 Lee G09G 3/3266
345/204
2016/0124557 A1* 5/2016 Choi G06F 3/0412
345/173
2016/0321991 A1 11/2016 Song et al.
2017/0062540 A1* 3/2017 Kim H10K 59/124
2021/0383750 A1 12/2021 Yamazaki et al.

- (52) **U.S. Cl.**
CPC *H10K 50/818* (2023.02); *H10K 59/1213*
(2023.02); *G09G 2300/0861* (2013.01); *G09G*
2320/0238 (2013.01); *H10K 59/1216*
(2023.02); *H10K 59/35* (2023.02)

- (58) **Field of Classification Search**
CPC H01L 27/3265; G09G 3/3233; G09G
2300/0861; G09G 2320/0238
See application file for complete search history.

(56) **References Cited**

U.S. PATENT DOCUMENTS

8,248,329 B2* 8/2012 Yamamoto G09G 3/3233
345/76
9,248,929 B2 2/2016 Ehrmann et al.
10,083,651 B2 9/2018 Yamazaki et al.
10,657,882 B2 5/2020 Yamazaki et al.
11,107,396 B2 8/2021 Yamazaki et al.
2008/0036371 A1* 2/2008 Kim G09G 3/3233
313/504
2012/0050344 A1* 3/2012 Kim G09G 3/3233
345/690
2012/0069059 A1* 3/2012 Lee G09G 3/3225
345/690

FOREIGN PATENT DOCUMENTS

KR 10-0563131 3/2006
KR 10-0570995 4/2006
KR 10-0620851 8/2006
KR 10-0620851 B1 8/2006
KR 10-0700648 3/2007
KR 10-0700648 B1 3/2007
KR 10-0709194 4/2007
KR 10-0709194 B1 4/2007
KR 10-2014-0013513 2/2014
KR 10-2014-0026659 3/2014
KR 10-2014-0087825 7/2014
KR 10-2014-0087825 A 7/2014

OTHER PUBLICATIONS

Office Action dated Nov. 20, 2017 in corresponding U.S. Pat. No.
10,615,240.

Final Office Action dated Apr. 8, 2019 in corresponding U.S. Pat.
No. 10,615,240.

* cited by examiner

FIG. 1

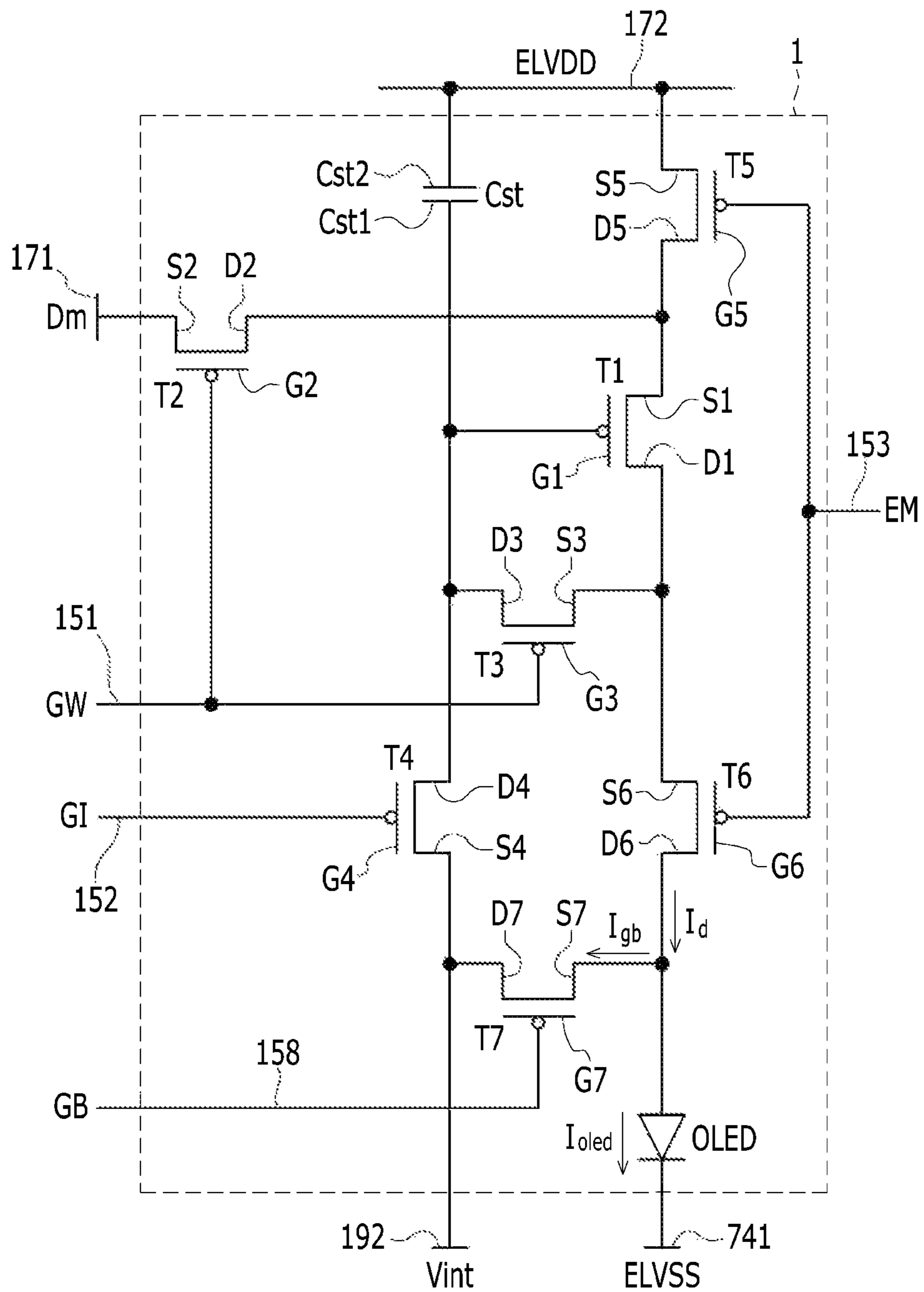


FIG. 2

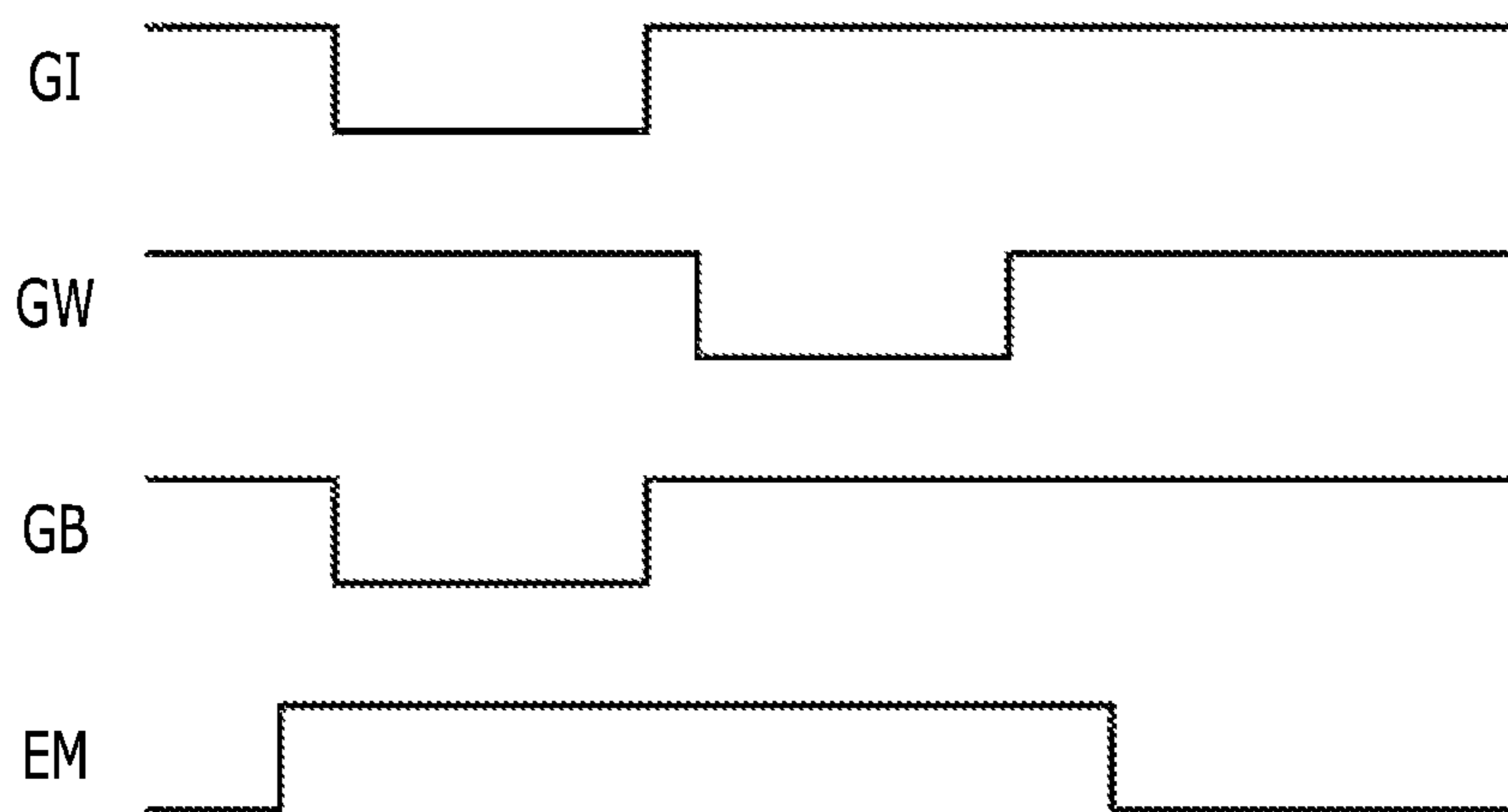


FIG. 3

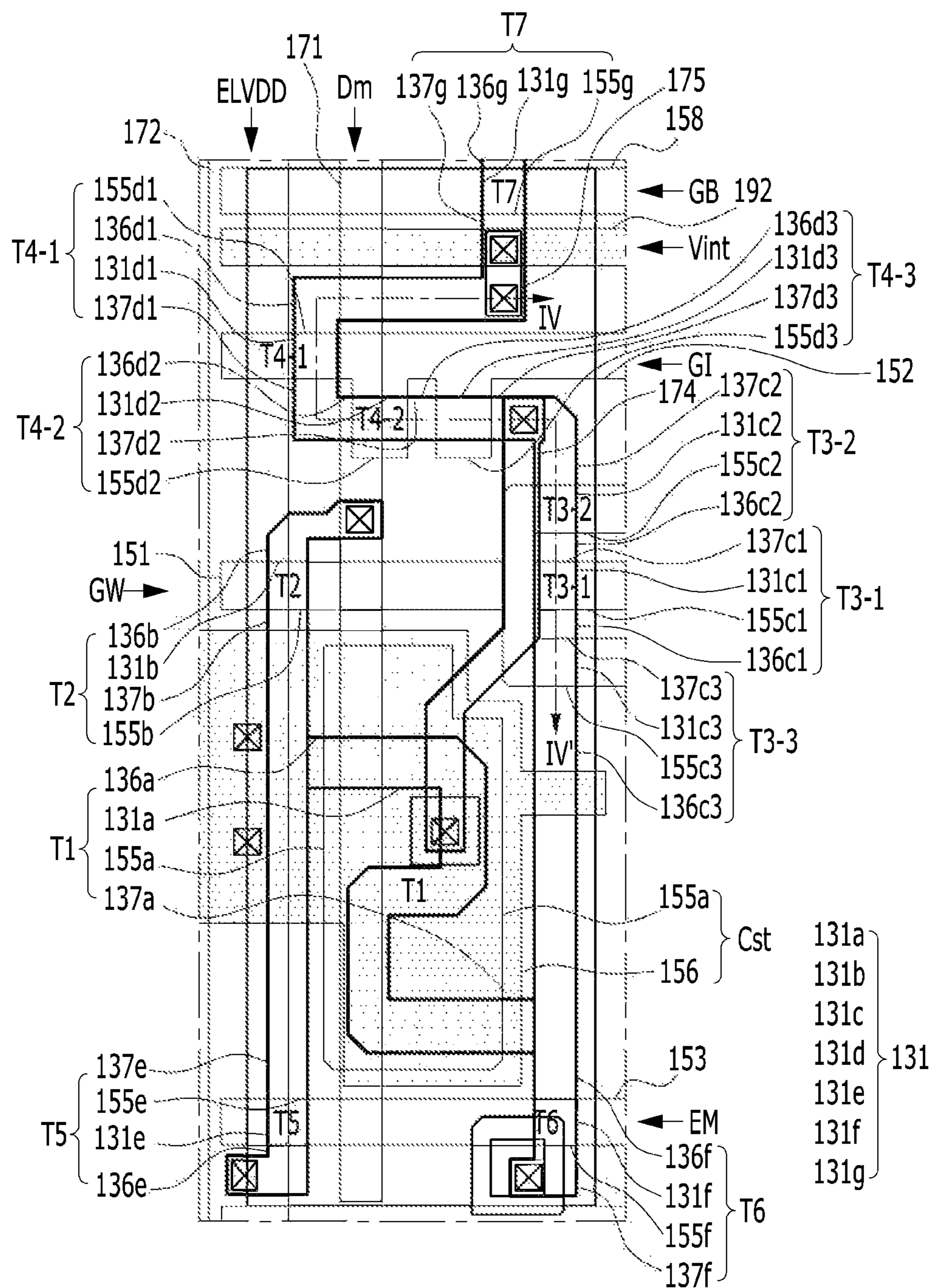


FIG. 4

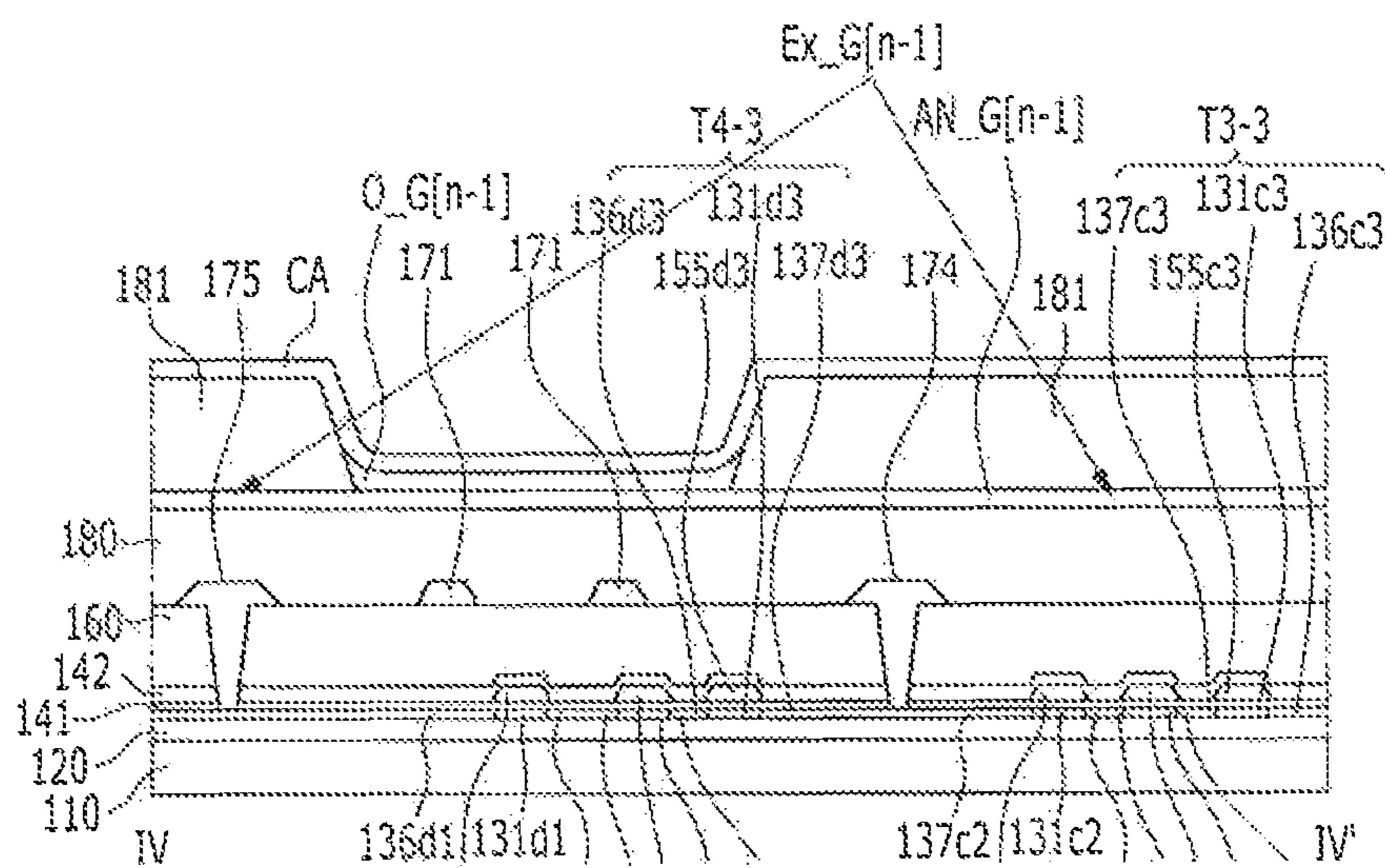


FIG. 5

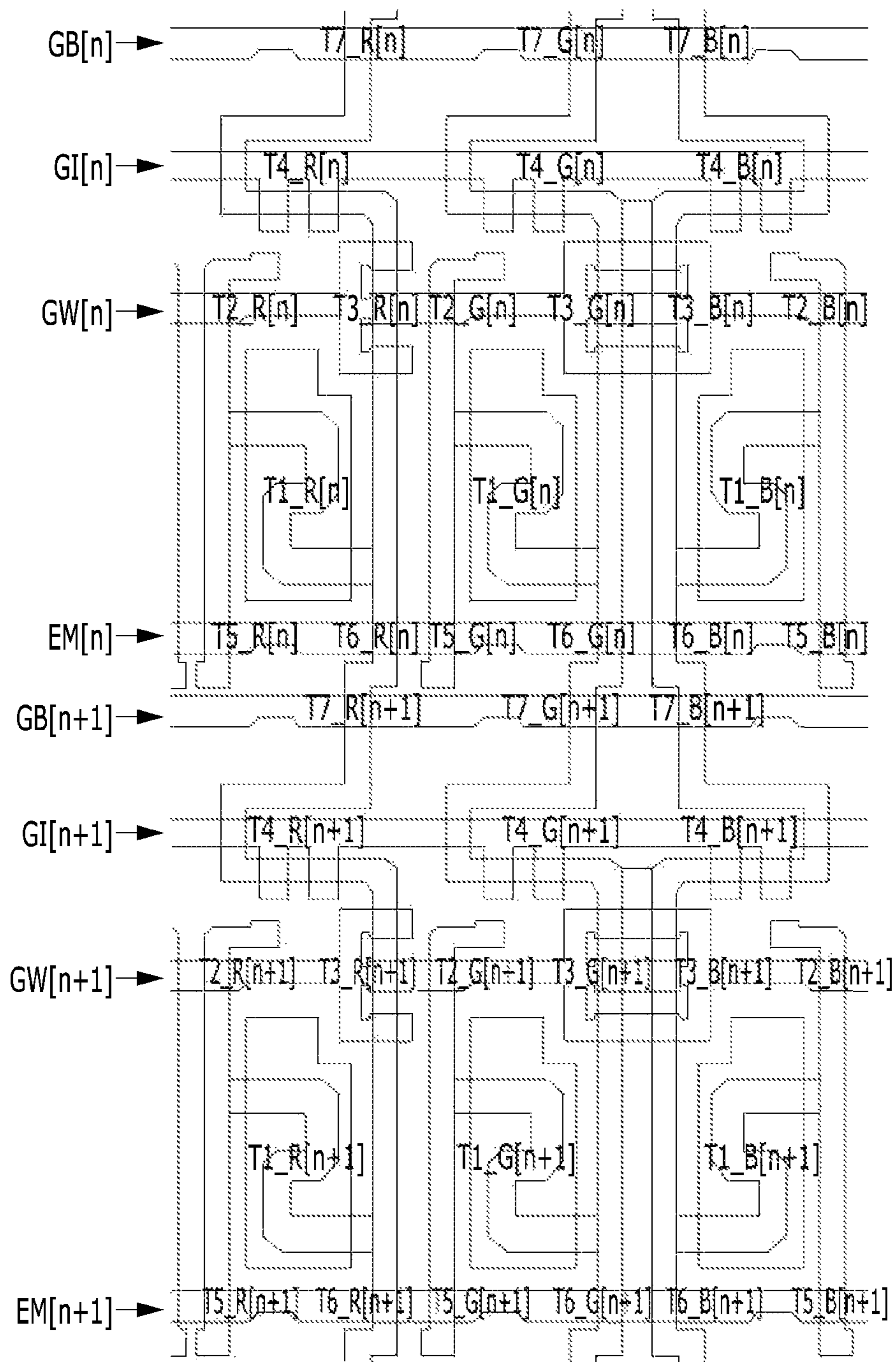


FIG. 6

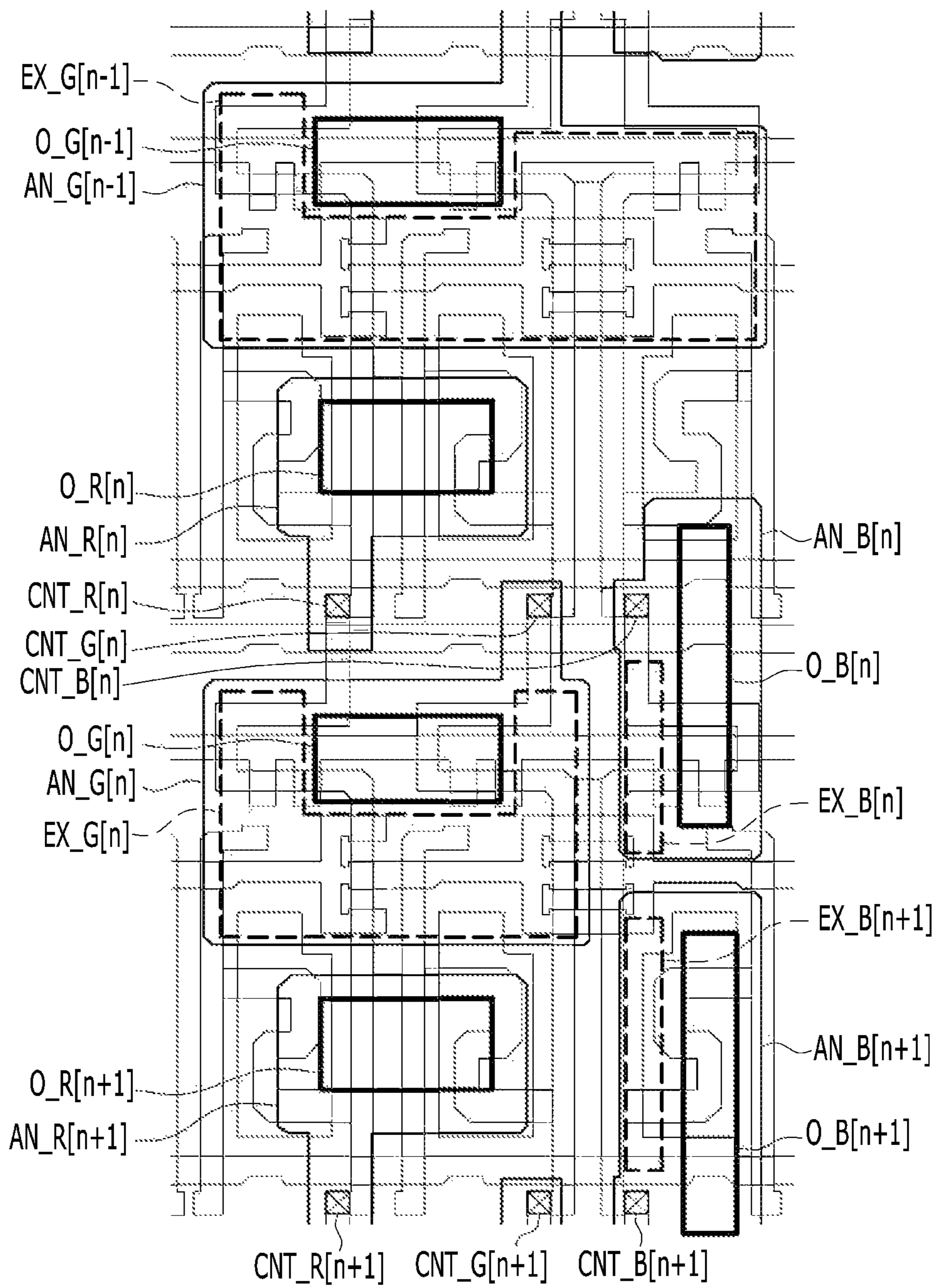
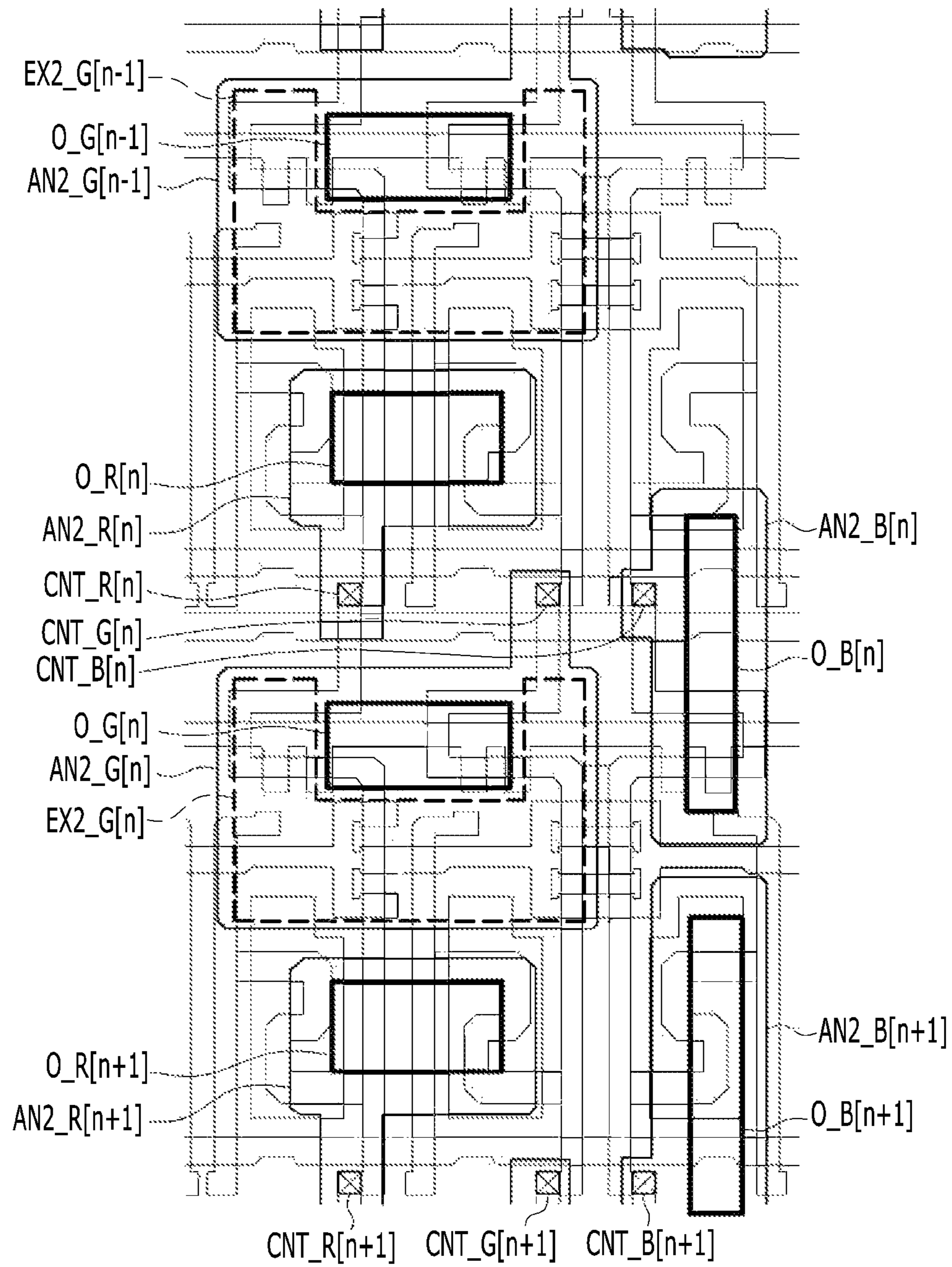


FIG. 7



ORGANIC LIGHT-EMITTING DIODE DISPLAY

Matter enclosed in heavy brackets [] appears in the original patent but forms no part of this reissue specification; matter printed in italics indicates the additions made by reissue; a claim printed with strikethrough indicates that the claim was canceled, disclaimed, or held invalid by a prior post-patent action or proceeding.

CROSS-REFERENCE TO RELATED APPLICATION

This application claims priority to and the benefit of Korean Patent Application No. 10-2015-0059994 filed in the Korean Intellectual Property Office on Apr. 28, 2015, the entire contents of which are incorporated herein by reference.

BACKGROUND

Field

The described technology generally relates to an organic light-emitting diode display.

Description of the Related Technology

An organic light-emitting diode (OLED) includes two electrodes and an interposed organic light emitting layer. Electrons injected from one electrode and holes injected from the other electrode are coupled in the organic light emitting layer so as to form exciton and the exciton discharges energy to thereby emit light.

An OLED display includes a matrix of pixels including OLEDs, and each pixel includes a plurality of transistors for driving the OLED and a storage capacitor.

The storage capacitor included in each pixel is written with a data voltage during a data record period. The storage capacitor adjusts a current flowing in a driving transistor by holding the data voltage written during a next light emitting period to thereby allow the OLED to be emitted at a specific gray scale corresponding to the data voltage.

In general, since a light emitting period in which the storage capacitor holds the data voltage is relatively short upon a normal driving, a flicker phenomenon does not occur or is not viewed by a user.

However, since the number of times the data is written is reduced in a low frequency driving for reducing power consumption, the period in which the storage capacitor holds the data voltage is relatively increased.

Therefore, charges stored in the storage capacitor exit through a current leakage path over time, and a value of voltage held in the storage capacitor is dropped. In this case, since a change in luminance of the OLED occurs, the flicker phenomenon can occur.

In addition, if a transistor formed on the current leakage path is irradiated with external light or leakage light of a neighboring pixel, photo-leakage currents flow in the corresponding transistor.

Therefore, even though the corresponding transistor turned off, the charges stored in the storage capacitor exit along the flow of the current, and the flicker phenomenon is intensified.

Therefore, there is a need for a layout of an OLED display that can block external light or leakage light for the transistor formed on the current leakage path.

The above information disclosed in this Background section is only for enhancement of understanding of the

background of the described technology and therefore it can contain information that does not constitute the prior art that is already known in this country to a person of ordinary skill in the art.

SUMMARY OF CERTAIN INVENTIVE ASPECTS

One inventive aspect relates to an OLED display that can minimize or reduce a flicker phenomenon even upon a low frequency driving.

Another aspect is an OLED display including: a plurality of pixels formed in an intersection area of a plurality of data lines and a plurality of scan lines, wherein each of the plurality of pixels includes: a storage capacitor storing a data voltage; at least one target transistor having one end connected to a current path of the storage capacitor; an organic light emitting layer formed in a light emission area; and a first electrode of an organic light emitting element formed in an area overlapped with an area in which the organic light emitting layer is formed, and the first electrode includes a first electrode extension part formed so as to block at least a part of the target transistor from light.

Each of the plurality of pixels can further include: an initialization transistor having one end connected to one end of the storage capacitor and the other end connected to an initialization voltage line, and the target transistor can be the initialization transistor.

Each of the plurality of pixels can further include: a driving transistor adjusting an amount of current flowing in the organic light emitting element; and a compensation transistor having one end connected to a gate electrode of the driving transistor and one end of the storage capacitor, and the other end connected to one end of the driving transistor, and the target transistor can be the initialization transistor and the compensation transistor.

At least one of the initialization transistor and the compensation transistor can include a plurality of gate electrodes.

Each of the plurality of pixels can correspond to one pixel of a first color pixel, a second color pixel, and a third color pixel, the initialization transistor and the compensation transistor included in each of the first color pixel and the second color pixel can be blocked from light as much as a first area by the first electrode extension part, the initialization transistor and the compensation transistor included in the third color pixel can be blocked from light as much as a second area by the first electrode extension part, and the first area can be larger than the second area.

The initialization transistor and the compensation transistor included in each of the first color pixel and the second color pixel can be entirely blocked from light by the first electrode extension part, the initialization transistor included in the third color pixel can be entirely blocked from light by the first electrode extension part, and the compensation transistor included in the third color pixel can be partially blocked from light by the first electrode extension part.

The OLED display can be a mono color display device.

The initialization transistor and the compensation transistor included in each of the first color pixel and the second color pixel can be entirely blocked from light by the first electrode extension part, and the initialization transistor and the compensation transistor included in the third color pixel may not be blocked from light by the first electrode extension part.

The first color pixel can be a red pixel, the second color pixel can be a green pixel, and the third color pixel can be a blue pixel.

A plurality of organic light emitting layers included in the plurality of pixels which are adjacent to each other can be formed at a minimum interval allowed by a depositing mask.

The first electrode can be configured to have a minimum size including: an area overlapped with an area in which the organic light emitting layer is formed; the first electrode extension part; and a contact part applied with an electrical signal.

The OLED display can include a low power consumption mode driven at a lower frequency, and a time in which the storage capacitor holds a recorded voltage in the low power consumption mode can be longer than a time in which the storage capacitor holds the recorded voltage upon a normal driving.

Another aspect is an organic light-emitting diode (OLED) display, comprising: a plurality of pixels formed in a plurality of intersection areas of a plurality of data lines and a plurality of scan lines. Each of the pixels includes: a storage capacitor configured to store a data voltage; at least one target transistor having one end electrically connected to a current path of the storage capacitor; an organic light emitting layer; and a first electrode of an OLED formed over the organic light emitting layer. The first electrode includes a first electrode extension configured to block at least a portion of the target transistor from light.

In the above OLED display, each of the pixels further includes an initialization transistor having a first end electrically connected to a first end of the storage capacitor and a second end electrically connected to an initialization voltage line, wherein the target transistor includes the initialization transistor.

In the above OLED display, each of the pixels further includes: a driving transistor configured to adjust an amount of current flowing in the OLED; and a compensation transistor having a first end electrically connected to a gate electrode of the driving transistor and the first end of the storage capacitor, and a second end electrically connected to a first end of the driving transistor, wherein the target transistor includes the initialization transistor and the compensation transistor.

In the above OLED display, at least one of the initialization transistor and the compensation transistor includes a plurality of gate electrodes.

In the above OLED display, each of the pixels corresponds to one among a first color pixel, a second color pixel, and a third color pixel, wherein the first electrode extension is further configured to block the initialization and compensation transistors included in each of the first and second color pixels from the light by as much as a first area, wherein the first electrode extension is further configured to block the initialization and compensation transistors included in the third color pixel from the light by as much as a second area, and wherein the first area is larger than the second area.

In the above OLED display, the first electrode extension is further configured to completely block the initialization and compensation transistors included in each of the first and second color pixels from the light, wherein the first electrode extension is further configured to completely block the initialization transistor included in the third color pixel from the light, and wherein the first electrode extension is further configured to partially block the compensation transistor included in the third color pixel from the light.

The above OLED display comprises a mono color display device.

In the above OLED display, the first electrode extension is further configured to completely block the initialization and compensation transistors included in each of the first and second color pixels from the light, wherein the first electrode extension is further configured to not block the initialization and compensation transistors included in the third color pixel from the light.

In the above OLED display, the first, second and third colors respectively include red, green, and blue.

In the above OLED display, a first organic light emitting layer of one of the pixels is adjacent to a second organic light emitting layer, wherein the first and second organic light emitting layers have a minimum interval therebetween formed by a depositing mask.

In the above OLED display, the first electrode is formed over the organic light emitting layer and includes: the first electrode extension; and a contact configured to be applied with an electrical signal.

In the above OLED display, the OLED display is configured to be driven in a low power consumption mode at a first frequency below a predetermined frequency, wherein a time in which the storage capacitor holds a recorded voltage in the low power consumption mode is greater than a time in which the storage capacitor holds the recorded voltage upon a normal driving.

Another aspect is an organic light-emitting diode (OLED) display, comprising: a storage capacitor having a first end electrically connected to a power source and configured to store a data voltage; a target transistor having a first end electrically connected to a second end of the storage capacitor; an OLED configured to receive the data voltage from the storage capacitor and including a first electrode, wherein the first electrode includes a first electrode extension formed over a portion of the target transistor and configured to block at least a portion of the target transistor from light.

In the above OLED display, the target transistor includes: a compensation transistor including a drain electrode electrically connected to the second end of the storage capacitor; and an initialization transistor including a drain electrode electrically connected to the second end of the storage capacitor.

The above OLED display further comprises a plurality of pixels each including the target transistor, wherein the first electrode extension overlaps the target transistor of each pixel in the depth dimension of the OLED display.

In the above OLED display, the compensation transistor includes first to third compensation transistors overlapping the first electrode extension in the depth dimension.

In the above OLED display, the initialization transistor includes first to third initialization transistors overlapping the first electrode in the depth dimension.

In the above OLED display, the OLED further includes an organic light emitting layer overlapping the first electrode and the first electrode extension in the depth dimension of the OLED display.

In the above OLED display, the first electrode has four sides, and wherein the first electrode extension is formed adjacent to three of the four sides of the first electrode.

In the above OLED display, the light includes external light or leakage light from a plurality of pixels other than a selected pixel including the OLED.

According to at least one of the disclosed embodiments, the OLED display can minimize the flicker phenomenon even while using the low frequency driving.

BRIEF DESCRIPTION OF THE DRAWINGS

FIG. 1 is a circuit diagram of one pixel included in an OLED display according to an exemplary embodiment.

5

FIG. 2 is a timing diagram of a signal applied to the pixel according to an exemplary embodiment.

FIG. 3 is a plan view of the pixel according to an exemplary embodiment.

FIG. 4 is a cross-sectional view taken along a line IV-IV' of FIG. 3.

FIG. 5 is a diagram illustrating an arrangement of a plurality of transistors included in a plurality of pixels according to an exemplary embodiment.

FIG. 6 is a drawing illustrating a structure and an arrangement of an anode electrode according to a first exemplary embodiment.

FIG. 7 is a drawing illustrating a structure and an arrangement of an anode electrode according to a second exemplary embodiment.

DETAILED DESCRIPTION OF CERTAIN INVENTIVE EMBODIMENTS

In the following detailed description, the described technology will be described more fully hereinafter with reference to the accompanying drawings, in which exemplary embodiments are shown

As those skilled in the art would realize, the described embodiments can be modified in various different ways, all without departing from the spirit or scope of the described technology.

In the drawings, the thickness of layers, films, panels, regions, etc., are exaggerated for clarity. Like reference numerals designate like elements throughout the specification. It will be understood that when an element such as a layer, film, region, or substrate is referred to as being "on" another element, it can be directly on the other element or intervening elements can also be present. In contrast, when an element is referred to as being "directly on" another element, there are no intervening elements present.

In addition, throughout the specification, unless explicitly described to the contrary, the word "comprise" and variations such as "comprises" or "comprising", will be understood to imply the inclusion of stated elements but not the exclusion of any other elements. In addition, throughout the specification, when an element is referred to as being "on" another element, it means that the element is positioned on or below of a target portion, and does not necessarily mean that the element is positioned at an upper side based on a gravity direction. In this disclosure, the term "substantially" includes the meanings of completely, almost completely or to any significant degree under some applications and in accordance with those skilled in the art. Moreover, "formed on" can also mean "formed over." The term "connected" can include an electrical connection.

FIG. 1 is a circuit diagram of one pixel included in an OLED display according to an exemplary embodiment.

As shown in FIG. 1, one pixel 1 of the OLED display according to the exemplary embodiment includes a plurality of signal lines 151, 152, 153, 158, 171, 172, and 192, a plurality of transistors T1, T2, T3, T4, T5, T6, and T7 connected to the plurality of signal lines, a storage capacitor Cst, and an OLED.

The transistors T1, T2, T3, T4, T5, T6, and T7 includes a driving transistor T1, a switching transistor T2, a compensation transistor T3, an initialization transistor T4, an operation control transistor T5, a light emission control transistor T6, and a bypass transistor T7.

The signal lines 151, 152, 153, 158, 171, 172, and 192 includes a scan line 151 that transfers a scan signal GW, a scan line 152 that transfers a scan signal GI to the initial-

6

ization transistor T4, a light emission control line 153 that transfers a light emission control signal EM to the operation control transistor T5 and the light emission control transistor T6, a bypass control line 158 that transfers a bypass signal GB to the bypass transistor T7, a data line 171 that intersects with the scan line 151 and transfers a data signal Dm, a driving voltage line 172 that transfers a driving voltage ELVDD and is formed to be substantially in parallel to the data line 171, and an initialization voltage line 192 that transfers an initialization voltage Vint initializing the driving transistor T1.

A gate electrode G1 of the driving transistor T1 is connected to one end Cst1 of the storage capacitor Cst, a source electrode S1 of the driving transistor T1 is connected to the driving voltage line 172 via the operation control transistor T5, and a drain electrode D1 of the driving transistor T1 is electrically connected to an anode of the OLED via the light emission control transistor T6. The driving transistor T1 receives the data signal Dm in response to a switching operation of the switching transistor T2 and supplies a driving current I_d to the OLED.

A gate electrode G2 of the switching transistor T2 is connected to the scan line 151, a source electrode S2 of the switching transistor T2 is connected to the data line 171, and a drain electrode D2 of the switching transistor T2 is connected to the source electrode S1 of the driving transistor T1 and is connected to the driving voltage line 172 via the operation control transistor T5. The switching transistor T2 is turned on in response to the scan signal GW received through the scan line 151 to perform a switching operation that transfers the data signal Dm transferred to the data line 171 to the source electrode S1 of the driving transistor T1.

A gate electrode G3 of the compensation transistor T3 is connected to the scan line 151, a source electrode S3 of the compensation transistor T3 is connected to the drain electrode D1 of the driving transistor T1 and is connected to the anode of the OLED via the light emission control transistor T6, and a drain electrode D3 of the compensation transistor T3 is connected together to a drain electrode D4 of the initialization transistor T4, one end Cst1 of the storage capacitor Cst, and the gate electrode G1 of the driving transistor T1. The compensation transistor T3 is turned on in response to the scan signal GW received through the scan line 151 to connect the gate electrode G1 and the drain electrode D1 of the driving transistor T1 to each other, which causes the driving transistor T1 to be diode-connected.

A gate electrode G4 of the initialization transistor T4 is connected to the scan line 152, a source electrode S4 of the initialization transistor T4 is connected to the initialization voltage line 192, and a drain electrode D4 of the initialization transistor T4 is connected together to one end Cst1 of the storage capacitor Cst and the gate electrode G1 of the driving transistor T1 via the drain electrode D3 of the compensation transistor T3. The initialization transistor T4 is turned on in response to the scan signal GI received through the scan line 152 to transfer the initialization voltage Vint to the gate electrode G1 of the driving transistor T1, thereby performing an initialization operation initializing the gate voltage of the gate electrode G1 of the driving transistor T1.

A gate electrode T5 of the operation control transistor T5 is connected to the light emission control line 153, a source electrode S5 of the operation control transistor T5 is connected to the driving voltage line 172, and a drain electrode D5 of the operation control transistor T5 is connected to the source electrode S1 of the driving transistor T1 and the drain electrode S2 of the switching transistor T2.

A gate electrode T6 of the light emission control transistor T6 is connected to the light emission control line 153, a source electrode S6 of the light emission control transistor T6 is connected to the drain electrode D1 of the driving transistor T1 and the source electrode S3 of the compensation transistor T3, and a drain electrode D6 of the light emission control transistor T6 is electrically connected to the anode of the OLED. The operation control transistor T5 and the light emission control transistor T6 are substantially simultaneously (or concurrently) turned on in response to the light emission control signal EM transferred through the light emission control line 153, and as a result, the driving voltage ELVDD is compensated by the driving transistor T1 diode-connected and is transferred to the OLED.

A gate electrode G7 of the bypass transistor T7 is connected to the bypass control line 158, a source electrode S7 of the bypass transistor T7 is connected together to the drain electrode D6 of the light emission control transistor T6 and the anode of the OLED, and a drain electrode D7 of the bypass transistor T7 is connected together to the initialization voltage line 192 and the source electrode S4 of the initialization transistor T4. Depending on the exemplary embodiments, the bypass control line 158 is connected to the scan line 152, such that the bypass signal GB can be substantially equal to the scan signal GI.

The other end Cst2 of the storage capacitor Cst is connected to the driving voltage line 172, and a cathode of the OLED is connected to a common voltage line 741 that transfers a common voltage ELVSS.

Meanwhile, the exemplary embodiment shows seven transistors and one capacitor structure including the bypass transistor T7, but the described technology is not limited thereto. The number of transistors and the number of capacitors can be variously changed.

Hereinafter, a detailed operation process of one pixel of the OLED display according to the exemplary embodiment will be described in detail with reference to FIG. 2.

FIG. 2 is a timing diagram of a signal applied to the pixel according to an exemplary embodiment.

As shown in FIG. 2, first, the scan signal GI of a low level is supplied through the scan line 152 during an initialization period. Then, the initialization transistor T4 is turned on in response to the scan signal GI of the low level, the initialization voltage Vint is connected to the gate electrode G1 of the driving transistor T1 through the initialization transistor T4 from the initialization voltage line 192, and the driving transistor T1 is initialized by the initialization voltage Vint.

Thereafter, a scan signal GW of a low level is supplied through the scan line 151 during a data record period. Then, the switching transistor T2 and the compensation transistor T3 are turned on in response to the scan signal GW of the low level. In this case, the driving transistor T1 is diode-connected by the turned-on compensation transistor T3 and is forward-biased.

Then, a compensation voltage $Dm+V_{th}$ including a threshold voltage V_{th} of the driving transistor T1 (V_{th} is a negative value) reduced from the data signal Dm supplied from the data line 171 is applied to the gate electrode G1 of the driving transistor T1. Here, the data signal Dm is a data voltage. The driving voltage ELVDD and the compensation voltage $Dm+V_{th}$ are applied to both ends of the storage capacitor Cst, and charges corresponding to a voltage difference of both ends are stored in the storage capacitor Cst.

Thereafter, the light emission control signal EM supplied from the light emission control signal 153 during a light emission period is changed from a high level to a low level. Then, the operation control transistor T5 and the light

emission control transistor T6 are turned on by the light emission control signal EM of a low level during the light emission period.

Then, a driving current I_d according to a voltage difference between the gate voltage of the gate electrode G1 of the driving transistor T1 and the driving voltage ELVDD is generated, and the driving current I_d is supplied to the OLED through the light emission control transistor T6.

By the storage capacitor Cst during the light emission period, a voltage of the gate electrode G1 of the driving transistor T1 becomes $ELVDD+(Dm+V_{th})$, and a voltage of the source electrode S1 thereof becomes ELVDD. Therefore, a gate-source voltage V_{gs} of the driving transistor T1 becomes $Dm+V_{th}$. Since the driving current of the transistor is substantially proportional to a square of a value obtained by subtracting the threshold voltage V_{th} from the gate-source voltage V_{gs} , it is substantially proportional to a square value of the data signal Dm. Therefore, the driving current I_d is determined regardless of the threshold voltage V_{th} of the driving transistor T1.

The bypass transistor T7 receives the bypass signal GB from the bypass control line 158. The bypass signal GB is a predetermined level of voltage which can always turn off the bypass transistor T7. And the bypass transistor T7 transfers a transistor-off level of voltage to the gate electrode G7, such that the bypass transistor T7 is always turned-off and some of the driving current I_d exits through the bypass transistor T7 as a bypass current I_{gb} in a state in which the bypass transistor T7 is turned-off.

Also in a case in which a minimum current of the driving transistor T1 displaying a black image flows as the driving current, if the OLED emits light, the black image is not properly displayed. Therefore, the bypass transistor T7 of the OLED display according to the exemplary embodiment can diffuse some of the minimum current of the driving transistor T1 to other current paths other than a current path of the OLED side, as the bypass current I_{gb} . Here, the minimum current of the driving transistor T1 means a current in the condition in which the gate-source voltage V_{gs} of the driving transistor T1 is less than the threshold voltage V_{th} to thereby turn off the driving transistor T1. As described above, a minimum driving current (e.g., a current of about 10 pA or less) in the condition in which the driving transistor T1 is turned-off is transferred to the OLED and is represented by an image of black luminance. If the minimum driving current displaying the black image flows, an influence of a bypass transfer of the bypass current I_{gb} is great, while if a large driving current displaying an image such as a normal image or a white image flows, the influence of the bypass current I_{gb} can be almost insignificant. Therefore, in the case in which the driving current displaying the black image flows, a light emission current I_{oled} of the OLED, which is substantially equal to the driving current I_d minus a current amount of the bypass current I_{gb} exiting through the bypass transistor T7, has a minimum current amount of a level capable of surely representing the black image. Therefore, a contrast ratio can be improved by implementing a substantially exact black luminance image using the bypass transistor T7. The bypass signal GB is substantially equal to the scan signal GI in FIG. 2, but is not limited thereto. The scan signal can be a previous stage scan signal and the scan signal GW can be a current stage scan signal.

FIG. 3 is a plan view of the pixel according to an exemplary embodiment.

First, as shown in FIGS. 1 and 3, the OLED display according to the exemplary embodiment applies the scan signal GW, the scan signal GI, the light emission control

signal EM, and the bypass signal GB, respectively, and includes the scan line **151**, the scan line **152**, the light emission control line **153**, and the bypass control line **158** which are formed along a row direction. In addition, the OLED display according to the exemplary embodiment includes the data line **171** and the driving voltage line **172** which intersect with the scan line **151**, the scan line **152**, the light emission control line **153**, and the bypass control line **158**, and apply the data signal Dm and the driving voltage ELVDD, respectively, to the pixel **1**. The initialization voltage Vint is transferred to the compensation transistor **T3** via the initialization transistor **T4** from the initialization voltage line **192**.

In addition, in the pixel **1**, the driving transistor **T1**, the switching transistor **T2**, the compensation transistor **T3**, the initialization transistor **T4**, the operation control transistor **T5**, the light emission control transistor **T6**, the bypass transistor **T7**, the storage capacitor Cst, and the OLED are formed. The OLED includes an anode, an organic light emitting layer, and a cathode. In this case, in an OLED display according to a first exemplary embodiment, the compensation transistor **T3** and the initialization transistor **T4** are configured as a transistor having a multi gate structure in order to effectively block a leakage current.

A channel of each of the driving transistor **T1**, the switching transistor **T2**, the compensation transistor **T3**, the initialization transistor **T4**, the operation control transistor **T5**, the light emission control transistor **T6**, and the bypass transistor **T7** can be formed in one connected semiconductor, and the semiconductor can be formed so as to be bent in various shapes. The above-mentioned semiconductor can be formed of a polycrystalline semiconductor material or an oxide semiconductor material. The oxide semiconductor material can include an oxide including titanium (Ti), hafnium (Hf), zirconium (Zr), aluminum (Al), tantalum (Ta), germanium (Ge), zinc (Zn), gallium (Ga), tin (Sn) or indium (In), and any one of zinc oxide (ZnO), indium-gallium-zinc oxide (InGaZnO₄), indium-zinc oxide (Zn—In—O), zinc-tin oxide (Zn—Sn—O) indium-gallium oxide (In—Ga—O), indium-tin oxide (In—Sn—O), indium-zirconium oxide (In—Zr—O), indium-zirconium-zinc oxide (In—Zr—Zn—O), indium-zirconium-tin oxide (In—Zr—Sn—O), indium-zirconium-gallium oxide (In—Zr—Ga—O), indium-aluminum oxide (In—Al—O), indium-zinc-aluminum oxide (In—Zn—Al—O), indium-tin-aluminum oxide (In—Sn—Al—O), indium-aluminum-gallium oxide (In—Al—Ga—O), indium-tantalum oxide (In—Ta—O), indium-tantalum-zinc oxide (In—Ta—Zn—O), indium-tantalum-tin oxide (In—Ta—Sn—O), indium-tantalum-gallium oxide (In—Ta—Ga—O), indium-germanium oxide (In—Ge—O), indium-germanium-zinc oxide (In—Ge—Zn—O), indium-germanium-tin oxide (In—Ge—Sn—O), indium-germanium-gallium oxide (In—Ge—Ga—O), titanium-indium-zinc oxide (Ti—In—Zn—O), hafnium-indium-zinc oxide (Hf—In—Zn—O), which are complex oxides thereof. In a case in which the semiconductor is formed of an oxide semiconductor material, a separate passivation layer can be added in order to protect the oxide, semiconductor material which is vulnerable to an external environment such as high temperature, or the like.

The semiconductor includes a channel which is channel-doped with N-type impurities or P-type impurities, and a source doping part and a drain doping part which are formed on both sides of the channel and have a doping amount larger than the doped impurities which are doped on the channel. According to the described technology, the source doping part and the drain doping part correspond to the

source electrode and the drain electrode, respectively. The source electrode and the drain electrode formed in the semiconductor can be formed by doping only the corresponding region. In addition, a region between the source electrodes and the drain electrodes of different transistors in the semiconductor is also doped, thereby making it possible to electrically connect the source electrode and the drain electrode to each other.

As shown in FIG. **3**, a channel **131** includes a driving channel **131a** formed in the driving transistor **T1**, a switching channel **131b** formed in the switching transistor **T2**, a compensation channel **131c** formed in the compensation transistor **T3**, an initialization channel **131d** formed in the initialization transistor **T4**, an operation control channel **131e** formed in the operation control transistor **T5**, a light emission control channel **131f** formed in the light emission control transistor **T6**, and a bypass channel **131g** formed in the bypass transistor **T7**.

The driving transistor **T1** includes the driving channel **131a**, a driving gate electrode **155a**, a driving source electrode **136a**, and a driving drain electrode **137a**. The driving channel **131a** is curved and can have a meandering shape or a zigzag shape. As such, by forming the driving channel **131a** having the curved shape, the driving channel **131a** can be formed to be long in a narrow space. Therefore, a driving range of the gate voltage Vg applied to the driving gate electrode **155a** is widened by the driving channel **131** formed to be long. Since the driving range of the gate voltage Vg is wide, a gray scale of light emitted from the OLED can be more precisely controlled by changing magnitude of the gate voltage Vg, and as a result, resolution of the OLED display can be increased and display quality thereof can be improved. By variously deforming the shape of the above-mentioned driving channel **131a**, various exemplary embodiments such as 'inverse S', 'S', 'M', 'W', etc. can be implemented.

The driving gate electrode **155a** overlaps the driving channel **131a**, and the driving source electrode **136a** and the driving drain electrode **137a** are each formed so as to be adjacent to both sides of the driving channel **131a**. The driving gate electrode **155a** is connected to a first data connection member **174** through a contact hole (not shown).

Meanwhile, the switching transistor **T2** includes a switching channel **131b**, a switching gate electrode **155b**, a switching source electrode **136b**, and a switching drain electrode **137b**. The switching gate electrode **155b**, which is a part extended downwardly from the scan line **151**, overlapped the switching channel **131b**. The switching source electrode **136b** and the switching drain electrode **137b** are each formed so as to be adjacent to both sides of the switching channel **131b**. The switching source electrode **136b** is connected to the data line **171** through the contact hole.

Three compensation transistors **T3** are formed to prevent a leakage current, and include a first compensation transistor **T3-1**, a second compensation transistor **T3-2**, and a third compensation transistor **T3-3** which are adjacent to each other. The first compensation transistor **T3-1** is positioned around the scan line **151**, and the second compensation transistor **T3-2** is positioned around an upper protrusion part of the scan line **151**. In addition, the third compensation transistor **T3-3** is positioned around a lower protrusion part of the scan line **151**. The first compensation transistor **T3-1** includes a first compensation channel **131c1**, a first compensation gate electrode **155c1**, a first compensation source electrode **136c1**, and a first compensation drain electrode **137c1**. The second compensation transistor **T3-2** includes a second compensation channel **131c2**, a second compensa-

tion gate electrode **155c2**, a second compensation source electrode **136c2**, and a second compensation drain electrode **137c2**. In addition, the third compensation transistor T3-3 includes a third compensation channel **131c3**, a third compensation gate electrode **155c3**, a third compensation source electrode **136c3**, and a third compensation drain electrode **137c3**. *In an embodiment, no portion of the compensation transistors T3 overlap the organic light emitting layer O_G[n-1].*

The first compensation gate electrode **155c1**, which is a part of the scan line **151**, overlaps the first compensation channel **131c1**. The first compensation source electrode **136c1** and the first compensation drain electrode **137c1** are each formed so as to be adjacent to both sides of the first compensation channel **131c1**. The first compensation source electrode **136c1** is connected to a light emission control source electrode **136f**, and the first compensation drain electrode **137c1** is connected to the second compensation source electrode **136c2**.

The second compensation gate electrode **155c2**, which is a protrusion part upwardly protruding from the scan line **151**, overlaps the second compensation channel **131c2**. The second compensation source electrode **136c2** and the second compensation drain electrode **137c2** are each formed so as to be adjacent to both sides of the second compensation channel **131c2**. The second compensation drain electrode **137c2** is connected to the first data connection member **174** through the contact hole.

The third compensation gate electrode **155c3** overlaps the third compensation channel **131c3**, and the third compensation source electrode **136c3** and the third compensation drain electrode **137c3** are each formed so as to be adjacent to both sides of the third compensation channel **131c3**. The third compensation drain electrode **137c3** is connected to the first compensation source electrode **136c1**.

Three initialization transistors T4 are formed to prevent the leakage current, and include a first initialization transistor T4-1, a second initialization transistor T4-2, and a third initialization transistor T4-3 which are adjacent to each other. The first initialization transistor T4-1 is positioned around the scan line **152**, and the second initialization transistor T4-2 is positioned around a left protrusion part of the scan line **152**. The third initialization transistor T4-3 is positioned around a right protrusion part of the scan line **152**. The first initialization transistor T4-1 includes a first initialization channel **131d1**, a first initialization gate electrode **155d1**, a first initialization source electrode **136d1**, and a first initialization drain electrode **137d1**, and the second initialization transistor T4-2 includes a second initialization channel **131d2**, a second initialization gate electrode **155d2**, a second initialization source electrode **136d2**, and a second initialization drain electrode **137d2**. In addition, the third initialization transistor T4-3 includes a third initialization channel **131d3**, a third initialization gate electrode **155d3**, a third initialization source electrode **136d3**, and a third initialization drain electrode **137d3**. *In an embodiment, no portion of one of a plurality of initialization transistors T4-1 and T4-2 overlaps the overlap the organic light emitting layer O_G[n-1].*

The first initialization gate electrode **155d1**, which is a part of the scan line **152**, overlaps the first initialization channel **131d1** and is each formed so as to be adjacent to both sides of the first initialization channel **131d1**. The first initialization source electrode **136d1** is connected to a second data connection member **175** through the contact hole, and the first initialization drain electrode **137d1** is connected to the second initialization source electrode **136d2**.

The second initialization gate electrode **155d2**, which is a protrusion part downwardly protruding from the scan line **152**, overlaps the second initialization channel **131d2**. The second initialization source electrode **136d2** and the second initialization drain electrode **137d2** are each formed so as to be adjacent to both sides of the second initialization channel **131d2**.

Similarly, the third initialization gate electrode **155d3**, which is a protrusion part downwardly protruding from the scan line **152**, is overlapped with the third initialization channel **131d3**, and the third initialization source electrode **136d3** and the third initialization drain electrode **137d3** are each formed so as to be adjacent to both sides of the third initialization channel **131d3**. The third initialization drain electrode **137d3** is connected to the first data connection member **174** through the contact hole.

As such, the three compensation transistors, that is, the first compensation transistor T3-1, the second compensation transistor T3-2, and the third compensation transistor T3-3 are formed. And three initialization transistors T4, that is, the first initialization transistor T4-1, the second initialization transistor T4-2, and the third initialization transistor T4-3 are formed, thereby making it possible to effectively (or substantially) prevent the charges from exiting from the storage capacitor Cst.

The operation control transistor T5 includes an operation control channel **131e**, an operation control gate electrode **155e**, an operation control source electrode **136e**, and an operation control drain electrode **137e**. The operation control gate electrode **155e**, which is a part of the light emission control line **153**, overlaps the operation control channel **131e**. And the operation control source electrode **136e** and the operation control drain electrode **137e** are each formed so as to be adjacent to both sides of the operation control channel **131e**. The operation control source electrode **136e** is connected to a part of the driving voltage line **172** through the contact hole.

The light emission control transistor T6 includes a light emission control channel **131f**, a light emission control gate electrode **155f**, a light emission control source electrode **136f**, and a light emission control drain electrode **137f**. The light emission control gate electrode **155f**, which is a part of the light emission control line **153**, overlaps the light emission control channel **131f**. The light emission control source electrode **136f** and the light emission control drain electrode **137f** are each formed so as to be adjacent to both sides of the light emission control channel **131f**.

The bypass transistor T7 includes a bypass channel **131g**, a bypass gate electrode **155g**, a bypass source electrode **136g**, and a bypass drain electrode **137g**. The bypass gate electrode **155g**, which is a part of the bypass control line **158**, overlaps the bypass channel **131g**, and the bypass source electrode **136g** and the bypass drain electrode **137g** are each formed so as to be adjacent to both sides of the bypass channel **131g**.

One end of the driving channel **131a** of the driving transistor T1 is connected to the switching drain electrode **137b** and the operation control drain electrode **137e**, and the other end of the driving channel **131a** is connected to the compensation source electrode **136c** and the light emission control source electrode **136f**.

The storage capacitor Cst includes a first storage electrode **155a** and a second storage electrode **156** which are formed while having a second insulating layer **142** therebetween. The first storage electrode **155a** corresponds to the driving gate electrode **155a**, and the second storage electrode **156**, which is a part extended from the storage line, occupies an

13

area wider than the driving gate electrode **155a** and fully covers the driving gate electrode **155a**. Here, the second insulating layer **142** is a dielectric, and storage capacitance is determined by charges stored in the storage capacitor Cst and a voltage between both electrodes **155a** and **156**. As such, by using the driving gate electrode **155a** as the first storage electrode **155a**, a space in which the storage capacitor can be formed can be secured in a space which is narrowed by the driving channel **131a** occupying a large area in the pixel.

The second storage electrode **156** is connected to the driving voltage line **172** through a contact and is applied with the driving voltage ELVDD.

FIG. 4 is a cross-sectional view taken along a line IV-IV' of FIG. 3.

Referring to FIG. 4, a buffer layer **120** is formed on a substrate **110**. The substrate **110** can be formed of an insulating substrate formed of glass, quartz, ceramic, plastic, or the like. The buffer layer **120** can serve to improve property of a polycrystalline semiconductor and reduce stress applied to the substrate **110** by blocking impurities from the substrate **110** upon a crystallization process for forming the polycrystalline semiconductor.

The semiconductor including the driving channel **131a**, the switching channel **131b**, the compensation channel **131c**, the initialization channel **131d**, the operation control channel **131e**, the light emission control channel **131f**, and the bypass channel **131g** is formed on the buffer layer **120**. In the semiconductor, the driving source electrode **136a** and the driving drain electrode **137a** are formed on both sides of the driving channel **131a**, and the switching source electrode **136b** and the switching drain electrode **137b** are formed on both sides of the switching channel **131b**. In addition, the first compensation source electrode **136c1** and the first compensation drain electrode **137c1** are formed on both sides of the first compensation channel **131c1**, the second compensation source electrode **136c2** and the second compensation drain electrode **137c2** are formed on both sides of the second compensation channel **131c2**. The first initialization source electrode **136d1** and the first initialization drain electrode **137d1** are formed on both sides of the first initialization channel **131d1**. The second initialization source electrode **136d2** and the second initialization drain electrode **137d2** are formed on both sides of the second initialization channel **131d2**. The operation control source electrode **136e** and the operation control drain electrode **137e** are formed on both sides of the operation control channel **131e**, and the light emission control source electrode **136f** and the light emission control drain electrode **137f** are formed on the both sides of the light emission control channel **131f**. In addition, the bypass source electrode **136g** and the bypass drain electrode **137g** are formed on both sides of the bypass channel **131g**.

In addition, the third compensation source electrode **136c3** and the third compensation drain electrode **137c3** are formed on both sides of the third compensation channel **131c3**. The third initialization source electrode **136d3** and the third initialization drain electrode **137d3** are formed on both sides of the third initialization channel **131d3**.

A first gate insulating layer **141** covering the semiconductor is formed on the semiconductor. A first gate wiring including the previous stage scan line **152** including the first initialization gate electrode **155d1**, the second initialization gate electrode **155d2**, and the third initialization gate electrode **155d3** is formed on the first insulating layer **141**. The scan line **151** including the first compensation gate electrode **155c1**, the second compensation gate electrode **155c2**, and

14

the third compensation gate electrode **155c3** is also formed on the first insulating layer **141**.

The second gate insulating layer **142** covering the first gate wiring and the first gate insulating layer **141** is formed on the first gate wiring and the first gate insulating layer **141**. The first gate insulating layer **141** and the second gate insulating layer **142** can be formed of silicon nitride (SiNx) or silicon oxide (SiO₂).

The storage line is formed in parallel to the scan line **151** on the second gate insulating layer **142**. A second gate wiring (not shown) including the second storage electrode **156**, which is a part extended from the storage line, can be formed on the second gate insulating layer **142**.

An interlayer insulating layer **160** is formed on the second gate insulating layer **142** or the second gate wiring (not shown). The interlayer insulating layer **160** can be formed of silicon nitride (SiNx) or silicon oxide (SiO₂).

A contact hole is formed in the interlayer insulating layer **160**. On the interlayer insulating layer **160**, data wirings **171**, **172**, **174**, and **175** including the data line **171**, the driving voltage line **172**, the first data connection member **174**, and the second data connection member **175** are formed.

A first organic insulating layer **180** covering the data wirings **171**, **172**, **174**, and **175**, and the interlayer insulating layer **160** is formed on the data wirings **171**, **172**, **174**, and **175**, and the interlayer insulating layer **160**. The first organic insulating layer **180** includes a via hole for connecting an anode of each pixel to the drain electrode **137f** of the light emission control transistor T6. An anode AN_G[n-1] of the OLED is formed on the first organic insulating layer **180**. The anode can be represented as a first electrode of the OLED.

As resolution of the OLED display is increased, it is difficult to form the anode and the organic light emitting layer so as to be exactly overlapping each pixel circuit forming area. Therefore, the anode AN_G[n-1] and the organic light emitting layer O_G[n-1] shown in FIG. 4 are illustratively shown based on a pixel G[n] of FIG. 6. The pixel G[n] of FIG. 6 is a unit pixel area including transistors T1_G[n], T2_G[n], T3_G[n], T4_G[n], T5_G[n], T6_G[n], and T7_G[n] with reference to FIG. 5. A shape and arrangement of the anode and the organic light emitting layer can be changed for each pixel.

The anode AN_G[n-1] can be formed of a transparent conductive material such as indium tin oxide (ITO), indium zinc oxide (IZO), zinc oxide (ZnO), indium oxide (In₂O₃), or the like, or a reflective metal such as lithium (Li), calcium (Ca), lithium fluoride/calcium (LiF/Ca), lithium fluoride/aluminum (LiF/Al), aluminum (Al), silver (Ag), magnesium (Mg), gold (Au), or the like. In a case in which the anode AN_G[n-1] is formed of the reflective metal of ITO/Ag/ITO, it exhibits reflectivity of about 90%. Therefore, the anode AN_G[n-1] can serve to block external light and leakage light of other pixels.

The second organic insulating layer **181** is formed on the first organic insulating layer **180** or the anode AN_G[n-1]. The second organic insulating layer **181** is also called as a pixel defined layer that partitions a light emission area of an organic light emitting element.

The second organic insulating layer **181** can be formed of a resin such as polyacrylates or polyimides.

The organic light emitting layer O_G[n-1] is formed on the anode AN_G[n-1] in the light emission area partitioned by the second organic insulating layer **181**.

The organic light emitting layer O_G[n-1] is formed in a single layer or a multi-layer including one or more of a light emitting layer, a hole-injection layer (HIL), a hole-trans-

porting layer (HTL), an electron-transporting layer (ETL), and an electron-injection layer (EIL).

In a case in which the organic light emitting layer O_G [n-1] includes all of the above-mentioned layers, the hole-injection layer is positioned on the anode electrode **180**, on which the hole-transporting layer, the light emitting layer, the electron-transporting layer, and the electron-injection layer can be sequentially stacked.

The organic light emitting layer O_G[n-1] can include a red organic light emitting layer that emits red, a green organic light emitting layer that emits green, and a blue organic light emitting layer that emits blue. The red, green, and blue organic light emitting layers are formed in a red pixel, a green pixel, and a blue pixel, respectively, to implement a color image.

In addition, the organic light emitting layer O_G[n-1] stacks the red organic light emitting layer, the green organic light emitting layer, and the blue organic light emitting layer all together in the red pixel, the green pixel, and the blue pixel, and forms a red filter, a green filter, and a blue filter for each pixel, thereby making it possible to implement the color image. As another example, a white organic light emitting layer that emits white is formed in all of the red pixel, the green pixel, and the blue pixel. And the red filter, the green filter, and the blue filter are each formed for each pixel, thereby making it possible to implement the color image. In a case in which the color image is implemented using the white organic light emitting layer and the color filter, a deposition mask for depositing the red organic light emitting layer, the green organic light emitting layer, and the blue organic light emitting layer on the respective individual pixels, that is, the red pixel, the green pixel, and the blue pixel needs not to be used.

The white organic light emitting layer described in another example can be formed in a single organic light emitting layer, and also include a configuration in which a plurality of organic light emitting layers are stacked to enable white light emission. By way of example, the white organic light emitting layer can also include a configuration in which at least one yellow organic light emitting layer and at least one blue organic light emitting layer are combined to enable white light emission, a configuration in which at least one cyan organic light emitting layer and at least one red organic light emitting layer are combined to enable white light emission, a configuration in which at least one magenta organic light emitting layer and at least one green organic light emitting layer are combined to enable white light emission, and the like.

A cathode CA is formed on the second organic insulating layer **181** and the organic light emitting layer O_G[n-1]. The cathode CA can be formed of a transparent conductive material such as ITO, IZO, ZnO, In₂O₃, or the like, or a reflective metal such as lithium, calcium, lithium fluoride/calcium, lithium fluoride/aluminum, aluminum, silver, magnesium, gold, or the like.

According to the present exemplary embodiment, the cathode CA can be formed in a plate shape covering an overall pixel. The cathode CA is applied with a common voltage ELVSS. The cathode can be represented as a second electrode of the OLED.

FIG. **5** is a diagram illustrating an arrangement of a plurality of transistors included in a plurality of pixels according to an exemplary embodiment.

In FIG. **5**, six pixels of which one is described in FIG. **3** are formed. A red pixel R[n] of an n row is formed on a left upper end, a green pixel G[n] of an n row is formed on a center upper end, and a blue pixel B[n] of an n row is formed

on a right upper end. Similarly, a red pixel R[n+1] of an n+1 row is formed on a left lower end, a green pixel G[n+1] of an n+1 row is formed on a center lower end, and a blue pixel B[n+1] of an n+1 row is formed on a right lower end.

In this case, the red pixel R[n] means a unit pixel area including transistors T1_R[n], T2_R[n], T3_R[n], T4_R[n], T5_R[n], T6_R[n], and T7_R[n]. The green pixel G[n] means a unit pixel area including transistors T1_G[n], T2_G[n], T3_G[n], T4_G[n], T5_G[n], T6_G[n], and T7_G[n]. The blue pixel B[n] means a unit pixel area including transistors T1_B[n], T2_B[n], T3_B[n], T4_B[n], T5_B[n], T6_B[n], and T7_B[n]. Each unit pixel area can also be equally applied to the n+1 row.

Color of each pixel is illustrative, and is not absolute. A mono color display can also be configured so that all pixels include only one color.

The six pixels shown in FIG. **5** is a minimal unit for illustrating a shape and an arrangement of the anode according to each exemplary embodiment to be described below in FIGS. **6** and **7**. In FIG. **5**, only a semiconductor layer and scan wiring layers **151**, **152**, **153**, and **158**, which are minimal configurations for showing a position of the transistor of each pixel, are shown, and other electrode layers are omitted for a clear illustration.

Electrode layouts of the red pixel R[n] and the green pixel G[n] are the same as each other, but an electrode layout of the blue pixel B[n] is configured to be bilaterally symmetrical with the electrode layout of the green pixel G[n]. According to another exemplary embodiment, the blue pixel B[n] can be configured in the same electrode layout as that of the red pixel R[n] and the green pixel G[n].

The red pixel R[n] includes the seven transistors T1_R[n], T2_R[n], T3_R[n], T4_R[n], T5_R[n], T6_R[n], and T7_R[n], the green pixel G[n] includes the seven transistors T1_G[n], T2_G[n], T3_G[n], T4_G[n], T5_G[n], T6_G[n], and T7_G[n], and the blue pixel B[n] includes the seven transistors T1_B[n], T2_B[n], T3_B[n], T4_B[n], T5_B[n], T6_B[n], and T7_B[n].

The red pixel R[n], the green pixel G[n], and the blue pixel B[n] share a bypass signal GB[n], a scan signal GI[n], a scan signal GW[n], and a light emission control signal EM[n] which are applied to the n row, in the same signal line.

Since a similar configuration is applied to the red pixel R[n+1], the green pixel G[n+1], and the blue pixel b[n+1] of the n+1 row, a description thereof will be omitted.

FIG. **6** is a drawing illustrating a structure and an arrangement of an anode electrode according to a first exemplary embodiment.

Referring to FIG. **6**, as compared to FIG. **5**, anodes AN_R[n], AN_G[n-1], AN_B[n], AN_R[n+1], AN_G[n], and AN_B[n+1], organic light emitting layers O_R[n], O_G[n-1], O_B[n], O_R[n+1], O_G[n], and O_B[n+1] are additionally shown.

The anode AN_R[n] is included in the red pixel R[n] of the n row, and is formed in an area overlapping an area in which the organic light emitting layer O_R[n] is formed. The anode AN_R[n] is formed to be extended so as to include a contact part CNT_R[n]. The contact part CNT_R[n] is connected to a drain electrode of the light emission control transistor TR6_R[n] of the red pixel R[n]. According to the present exemplary embodiment, the anode AN_R[n] does not include a first electrode extension part.

In the present exemplary embodiment, the first electrode extension part means a portion of which an anode electrode is formed to be extended for blocking light. As described above, in order to prevent an occurrence of a light leakage

current of a target transistor which is on a current leakage path of the storage capacitor Cst, there is a need to block the target transistor from light.

The target transistor means a transistor having one end connected to a current path of the storage capacitor Cst.

Referring to again FIG. 1, a drain electrode D4 of the initialization transistor T4 and a drain electrode D3 of the compensation transistor T3 are connected to one end Cst1 of the storage capacitor Cst. Therefore, since the initialization transistor T4 and the compensation transistor T3 provide the current path through which the charges of the storage capacitor Cst can exit, the initialization transistor T4 and the compensation transistor T3 correspond to the target transistor. According to the exemplary embodiment of FIGS. 6 and 7, the target transistor is the initialization transistors T4_R [n], T4_G[n], T4_B[n], T4_R[n+1], T4_G[n+1], and T4_B [n+1], and the compensation transistors T3_R[n], T3_G[n], T3_B[n], T3_R[n+1], T3_G[n+1], and T3_B[n+1].

The same principle can be applied to a pixel circuit different from the present exemplary embodiment. That is, in the case in which the transistor forming the current path is present on one end of the storage capacitor Cst, it can be determined that the corresponding transistor is the target transistor of the described technology.

Since the size of the anode may not be indefinitely increased in order to block all transistors from light with the anode, the described technology distinguishes the target transistor to be blocked from light with the anode from other transistors. That is, when the size of the anode is unconditionally extended, the anode of the organic light emitting element forms a plurality of other electrodes and parasitic capacitance. Therefore, in some embodiments, a voltage can change through parasitic capacitance according to voltage variation of other electrodes and the desired gray scale may not be represented. In addition, the driving transistor T1 is formed to be larger than other transistors in order to increase a driving range, and as a result, the gate electrode G1 of the driving transistor T1 is also formed to be large. Therefore, the anode and the gate electrode G1 of the driving transistor T1 form large parasitic capacitance, and a control of a driving current amount, which is a role of the driving transistor T1, may not be appropriately performed. Further, as the OLED display becomes high in resolution, the anode is positioned to overlap other pixel areas across the corresponding pixel area, and error caused by parasitic capacitance is randomized.

Therefore, according to the described technology, the anode having a minimum size for a maximum aperture ratio is maintained, and the first electrode extension part blocking the target transistor from light is further included, in addition to an area overlapping the area in which the organic light emitting layer, which is essentially included in the anode, is formed and the contact part applied with an electrical signal.

As described above, since it is preferable to minimize the size of the anode, the size of the first electrode extension part can also be configured depending on a degree of blocking the target transistor from light. The size and configuration of the first electrode extension part are different depending on the first exemplary embodiment of FIG. 6 and a second exemplary embodiment of FIG. 7.

The size of the anode is not unconditionally minimized. In order to achieve the maximum aperture ratio of the OLED display, the size of the anode can be minimized within a range including the area in which the organic light emitting layer is formed. That is, the size of the area of the formed organic light emitting layer can be a criterion of the minimization of the size of the anode.

The size of the area in which the organic light emitting layer is formed can be determined by resolution of the OLED display and a limitation of a configuration of a fine metal mask (FMM), which is a depositing mask used to deposit the organic light emitting layer.

An anode AN_G[n-1] is included in a green pixel (not shown) of an n-1 row, and is formed in an area overlapped with an area in which an organic light emitting layer O_R[n-1] is formed. As described above, as resolution of the OLED display is increased, the anode AN_G[n-1] of the n-1 row is formed so as to be overlapped with the n row.

The anode AN_G[n-1] is formed to be extended so as to include a contact part (not shown). The contact part is connected to a drain electrode of a light emission control transistor (not shown) of the green pixel of the n-1 row.

The anode AN_G[n-1] includes a first electrode extension part EX_G[n-1]. The first electrode extension part EX_G [n-1] is configured to overlap an area in which the initialization transistors T4_R[n], T4_G[n], and T4_B[n], and the compensation transistors T3_R[n], T3_G[n], and T3_B[n] are formed. Therefore, the first electrode extension part EX_G[n-1] can block the initialization transistors T4_R[n], T4_G[n], and T4_B[n], and the compensation transistors T3_R[n], T3_G[n], and T3_B[n], which are the target transistors, from external light and leakage light of other pixels.

The anode AN_B[n] is included in the blue pixel B[n] of the n row, and is formed in an area overlapping an area in which the organic light emitting layer O_B[n] is formed. The anode AN_B[n] is formed to be extended so as to include a contact part CNT_B[n]. The contact part CNT_B[n] is connected to a drain electrode of the light emission control transistor TR6_B[n] of the blue pixel B[n].

The anode AN_B[n] includes a first electrode extension part EX_B[n]. The first electrode extension part EX_B[n] is configured to overlap a part of the compensation transistor T3_B[n+1]. The first electrode extension part EX_B[n] maintains a minimum distance from other anodes AN_B[n+1] and AN_G[n] in order to prevent interference with other anodes AN_B[n+1] and AN_G[n]. Therefore, the first electrode extension part EX_B[n] can partially block the compensation transistor T3_B[n+1], which is the target transistor, from external light and leakage light of other pixels.

In addition, the anode AN_B[n] blocks the initialization transistor T4_B[n+1], which is the target transistor from external light and leakage light of other pixel by an area overlapping the organic light emitting layer O_B[n].

The anode AN_R[n+1] is included in the red pixel R[n+1] of the n+1 row, and is formed in an area overlapping an area in which the organic light emitting layer O_R[n+1] is formed. The anode AN_R[n+1] is formed to be extended so as to include a contact part CNT_R[n+1]. The contact part CNT_R[n+1] is connected to a drain electrode of the light emission control transistor TR6_R[n+1] of the red pixel R[n+1]. According to the present exemplary embodiment, the anode AN_R[n+1] does not include a first electrode extension part.

The anode AN_G[n] is included in the green pixel G[n] of the n row, and is formed in an area overlapping an area in which the organic light emitting layer O_G[n] is formed. As described above, as resolution of the OLED display is increased, the anode of the n row is formed so as to overlap the n+1 row.

The anode AN_G[n] is formed to be extended so as to include a contact part CNT_G[n]. The contact part CNT_G [n] is connected to a drain electrode of the light emission control transistor TR6_G[n] of the green pixel G[n] of the n row.

The anode AN_G[n] includes a first electrode extension part EX_G[n]. The first electrode extension part EX_G[n] is configured to overlap an area in which the initialization transistors T4_R[n+1] and T4_G[n+1], and the compensation transistors T3_R[n+1] and T3_G[n+1] are formed. Therefore, the first electrode extension part EX_G[n] can block the initialization transistors T4_R[n+1] and T4_G[n+1], and the compensation transistors T3_R[n+1] and T3_G[n+1], which are the target transistors, from external light and leakage light of other pixels.

The anode AN_B[n+1] is included in the blue pixel B[n+1] of the n+1 row, and is formed in an area overlapping an area in which the organic light emitting layer O_B[n+1] is formed. The anode AN_B[n+1] is formed to be extended so as to include a contact part CNT_B[n+1]. The contact part CNT_B[n+1] is connected to a drain electrode of the light emission control transistor TR6_B[n+1] of the blue pixel B[n+1].

The anode AN_B[n+1] includes a first electrode extension part EX_B[n+1]. The first electrode extension part EX_B[n+1] is configured to overlap a part of the compensation transistor T3_B[n+1]. The first electrode extension part EX_B[n+1] maintains a minimum distance from other anodes AN_B[n] and AN_G[n] in order to prevent interference with other anodes AN_B[n] and AN_G[n]. Therefore, the first electrode extension part EX_B[n+1] can partially block the compensation transistor T3_B[n+1], which is the target transistor, from external light and leakage light of other pixels.

As a result, according to the first exemplary embodiment of FIG. 6, by the anodes AN_R[n], AN_G[n-1], AN_B[n], AN_R[n+1], AN_G[n], and AN_B[n+1], the initialization transistors T4_R[n], T4_G[n], T4_B[n], T4_R[n+1], T4_G[n+1], and T4_B[n+1], and the compensation transistors T3_R[n], T3_G[n], T3_B[n], T3_R[n+1], and T3_G[n+1], which are the target transistors, are completely blocked from light, and the compensation transistor T3_B[n+1] is partially blocked from light.

In the case in which the first electrode extension part is applied to other pixel circuits, the compensation transistor T3_B[n+1], which is the target transistor, can be completely blocked from light. As described above, the transistor, which is a target of light blocking, does not come from names of the initialization transistors and the compensation transistors, but is defined by a relationship with the storage capacitor.

In a case of an anode design according to the first exemplary embodiment of FIG. 6, a flicker phenomenon can be minimized by a maximum light blocking effect. In addition, the present exemplary embodiment can be more effectively applied to a mono color display device in which a color deviation does not matter.

In addition, referring to again FIG. 4, during a process of manufacturing a general OLED display, a problem in which residues float due to bad adhesive characteristics between the first organic insulating layer 180 and the second organic insulating layer 181 can occur. However, according to the first exemplary embodiment of FIG. 6, since the anode having a wide area is interposed between the first organic insulating layer 180 and the second organic insulating layer 181, adhesive characteristics are improved, thereby making it possible to reduce the above-mentioned problem.

The configuration of the six pixels shown in FIG. 6, which is one set, can be repeatedly applied to a plurality of pixels included in the OLED display to thereby configure a layout.

FIG. 7 is a drawing illustrating a structure and an arrangement of an anode electrode according to a second exemplary embodiment.

Referring to FIG. 7, as compared to FIG. 6, forms of the anodes AN2_R[n], AN2_G[n-1], AN2_B[n], AN2_R[n+1], AN2_G[n], and AN2_B[n+1] are changed.

The anode AN2_R[n] is included in the red pixel R[n] of the n row, and is formed in an area overlapping an area in which the organic light emitting layer O_R[n] is formed. The anode AN2_R[n] is formed to be extended so as to include a contact part CNT_R[n]. The contact part CNT_R[n] is connected to a drain electrode of the light emission control transistor TR6_R[n] of the red pixel R[n]. According to the present exemplary embodiment, the anode AN2_R[n] does not include a first electrode extension part.

An anode AN2_G[n-1] is included in a green pixel (not shown) of an n-1 row, and is formed in an area overlapping an area in which an organic light emitting layer O_G[n-1] is formed. As described above, as resolution of the OLED display is increased, the anode of the n-1 row is formed so as to be overlapped with the n row.

The anode AN2_G[n-1] extends so as to include a contact part (not shown). The contact part is connected to a drain electrode of a light emission control transistor (not shown) of the green pixel of the n-1 row.

The anode AN2_G[n-1] includes a first electrode extension part EX2_G[n-1]. The first electrode extension part EX2_G[n-1] is configured to overlap an area in which the initialization transistors T4_R[n] and T4_G[n], and the compensation transistors T3_R[n] and T3_G[n] are formed. Therefore, the first electrode extension part EX2_G[n-1] can block the initialization transistors T4_R[n] and T4_G[n], and the compensation transistors T3_R[n] and T3_G[n], which are the target transistors, from external light and leakage light of other pixels.

The anode AN2_B[n] is included in the blue pixel B[n] of the n row, and is formed in an area overlapping an area in which the organic light emitting layer O_B[n] is formed. The anode AN2_B[n] extends so as to include a contact part CNT_B[n]. The contact part CNT_B[n] is connected to a drain electrode of the light emission control transistor TR6_B[n] of the blue pixel B[n]. According to the present exemplary embodiment, the anode AN2_B[n] does not include a first electrode extension part.

The anode AN_B[n] blocks the initialization transistor T4_B[n+1], which is the target transistor from external light and leakage light of other pixel by an area overlapping the organic light emitting layer O_B[n].

The anode AN2_R[n+1] is included in the red pixel R[n+1] of the n+1 row, and is formed in an area overlapped with an area in which the organic light emitting layer O_R[n+1] is formed. The anode AN2_R[n+1] is formed to be extended so as to include a contact part CNT_R[n+1].

The contact part CNT_R[n+1] is connected to a drain electrode of the light emission control transistor TR6_R[n+1] of the red pixel R[n+1]. According to the present exemplary embodiment, the anode AN2_R[n+1] does not include a first electrode extension part.

The anode AN2_G[n] is included in the green pixel G[n] of the n row, and is formed in an area overlapping an area in which the organic light emitting layer O_G[n] is formed. As described above, as resolution of the OLED display is increased, the anode of the n row is formed so as to be overlapping the n+1 row.

The anode AN2_G[n] extends so as to include a contact part CNT_G[n]. The contact part CNT_G[n] is connected to

a drain electrode of the light emission control transistor TR6_G[n] of the green pixel G[n] of the n row.

The anode AN2_G[n] includes a first electrode extension part EX2_G[n]. The first electrode extension part EX2_G[n] is configured to be overlapped with an area in which the initialization transistors T4_R[n+1] and T4_G[n+1], and the compensation transistors T3_R[n+1] and T3_G[n+1] are formed. Therefore, the first electrode extension part EX2_G[n] can block the initialization transistors T4_R[n+1] and T4_G[n+1], and the compensation transistors T3_R[n+1] and T3_G[n+1], which are the target transistors, from external light and leakage light of other pixels.

The anode AN2_B[n+1] is included in the blue pixel B[n+1] of the n+1 row, and is formed in an area overlapping an area in which the organic light emitting layer O_B[n+1] is formed. The anode AN2_B[n+1] extends so as to include a contact part CNT_B[n+1]. The contact part CNT_B[n+1] is connected to a drain electrode of the light emission control transistor TR6_B[n+1] of the blue pixel B[n+1]. According to the present exemplary embodiment, the anode AN2_B[n+1] does not include a first electrode extension part.

As a result, according to the second exemplary embodiment of FIG. 7, by the anodes AN2_R[n], AN2_G[n-1], AN2_B[n], AN2_R[n+1], AN2_G[n], and AN2_B[n+1], the initialization transistors T4_R[n], T4_G[n], T4_R[n+1], T4_G[n+1], and T4_B[n+1], and the compensation transistors T3_R[n], T3_G[n], T3_R[n+1], and T3_G[n+1], which are the target transistors, are completely blocked from light, and the initialization transistor T4_B[n] and the compensation transistors T3_B[n] and T3_B[n+1] are not blocked from light.

Although the target transistors included in the blue pixels B[n] and B[n+1] are configured so as not to be blocked from light, since a contribution portion for overall luminance of the blue pixel is low, a flicker which can be viewed is minimized.

The OLED display can include a low power consumption mode driven at a lower frequency, and a time in which the storage capacitor holds a recorded voltage in the low power consumption mode can be longer than a time in which the storage capacitor holds the recorded voltage upon a normal driving. The lower frequency can be a predetermined frequency less than a predetermined frequency.

As a result of measuring luminance of the OLED display configured in the layout of FIG. 7, an overall luminance value of the OLED display is about 681.82 cd/m². In this case, a luminance value of the red pixel is about 185.59 (cd/m²), which is about 27% of the overall luminance. A luminance value of the green pixel is about 444.23 (cd/m²), which is about 65% of the overall luminance. A luminance value of the blue pixel is about 51.99 (cd/m²), which is about 8% of the overall luminance.

That is, even though the flicker phenomenon partially occurs in the blue pixel, the user can not view the flicker phenomenon.

In the case of an anode design according to the second exemplary embodiment of FIG. 7, the anodes included in the same color pixel have the same shape and size. That is, the anodes included in all red pixels have a first shape and size, the anodes included in all green pixels have a second shape and size, and the anodes included in all blue pixels have a third shape and size. There are favorable characteristics that the same capacitance is implemented for the same color pixel and there is no room to cause a color deviation problem.

The drawings and the detailed description of the described technology which are described above are merely illustrative,

are just used for the purpose of describing the inventive technology, and are not used for qualifying the meaning or limiting the scope of the present invention, which is disclosed in the appended claims. Therefore, it will be appreciated to those skilled in the art that various modifications and other equivalent embodiments are available. Accordingly, the actual technical protection scope of the present invention should be determined by the spirit of the appended claims.

What is claimed is:

1. An organic light-emitting diode (OLED) display, comprising:

a plurality of pixels formed in a plurality of intersection areas of a plurality of data lines and a plurality of scan lines,

wherein each of the pixels includes:

a storage capacitor configured to store a data voltage; at least one target transistor having one end electrically connected to a current path of the storage capacitor; an organic light emitting layer; and a first electrode of an OLED formed below the organic light emitting layer, and

wherein the first electrode includes a first electrode extension configured to block at least a portion of the at least one target transistor from light including at least one of external light and light leakage current from the storage capacitor, wherein each of the pixels further includes:

a driving transistor configured to adjust an amount of current flowing in the OLED; and

a compensation transistor having a first end electrically connected to a gate electrode of the driving transistor and a first end of the storage capacitor, and a second end electrically connected to a first end of the driving transistor, wherein the at least one target transistor includes the compensation transistor, wherein the first electrode extension of a first one of the pixels in a first row of the OLED display overlaps the compensation transistor of a second other one of the pixels of the OLED display in a second row adjacent the first row to block the compensation transistor of the second pixel from light, and

wherein no portion of the compensation transistor overlaps the organic light emitting layer of the OLED display.

2. The OLED display of claim 1, wherein each of the pixels further includes an initialization transistor having a first end electrically connected to a first end of the storage capacitor and a second end electrically connected to an initialization voltage line, and wherein the at least one target transistor includes the initialization transistor.

3. The OLED display of claim 2, wherein the first electrode extension further overlaps the initialization transistor of the OLED display.

4. The OLED display of claim 2, wherein at least one of the initialization transistor and the compensation transistor includes a plurality of gate electrodes.

5. The OLED display of claim 2, wherein each of the pixels corresponds to one among a first color pixel, a second color pixel, and a third color pixel, wherein the first electrode extensions of the first and second color pixels are further configured to respectively block the initialization and compensation transistors included in the first and second color pixels from the light by as much as a first area, wherein the first electrode extension of the third color pixel is further configured to block the initialization and compensation

transistors included in the third color pixel from the light by as much as a second area, and wherein the first area is larger than the second area.

6. The OLED display of claim 5, wherein the first electrode extensions of the first and second color pixels are further configured to completely block the initialization and compensation transistor included in the first and second color pixels from the light, wherein the first electrode extension of the third color pixel is further configured to completely block the initialization transistor included in the third color pixel from the light.

7. The OLED display of claim 6, wherein the OLED display comprises a mono color display device.

8. The OLED display of claim 5, wherein the first electrode extensions of the first and second color pixels are further configured to completely block the initialization and compensation transistors included in the first and second color pixels from the light, and wherein the first electrode extension of the third color pixel is further configured to not block the initialization and compensation transistors included in the third color pixel from the light.

9. The OLED display of claim 8, wherein the first, second and third colors respectively include red, green, and blue.

10. The OLED display of claim 1, wherein a first organic light emitting layer of one of the pixels is adjacent to a second organic emitting layer, and wherein the first and second organic light emitting layers have a minimum interval therebetween formed by a depositing mask.

11. The OLED display of claim 10, wherein the first electrode is formed below the organic light emitting layer and includes:

- the first electrode extension; and
- a contact configured to be applied with an electrical signal.

12. The OLED display of claim 1, wherein the OLED display is configured to be driven in a low power consumption mode at a first frequency below a predetermined frequency, and wherein a time in which the storage capacitor holds a recoded voltage in the low power consumption mode is greater than a time in which the storage capacitor holds the recorded voltage upon a normal driving.

13. An organic light-emitting diode (OLED) display, comprising:

- a storage capacitor having a first end electrically connected to a power source and configured to store a data voltage;
 - at least one target transistor having a first end electrically connected to a second end of the storage capacitor;
 - an OLED configured to receive the data voltage from the storage capacitor and including a first electrode; and
 - a driving transistor configured to adjust an amount of current flowing in the OLED;
- wherein the OLED includes an organic light emitting layer, and

wherein the first electrode includes a first electrode extension formed over a portion of the at least one target transistor and configured to block at least a portion of the at least one target transistor from light including at least one of external light and light leakage current from the storage capacitor,

wherein the at least one target transistor includes at least one compensation transistor including a compensation transistor having a first end electrically connected to a gate electrode of the driving transistor and [a first] the second end of the storage capacitor, and a second end electrically connected to a first end of the driving transistor,

wherein the at least one target transistor includes the at least one compensation transistor,

wherein the first electrode extension of a first one of the pixels in a first row of the OLED display overlaps the compensation transistor a second other one of the pixels in a second row of the OLED display adjacent the first row to block the compensation transistor of the second pixel from light, and

wherein no portion of the compensation transistor overlaps the organic light emitting layer of the OLED display.

14. The OLED display of claim 13, wherein the at least one target transistor further includes:

- at least one initialization transistor including a drain electrode electrically connected to the second end of the storage capacitor.

15. The OLED display of claim 14, further comprising a plurality of pixels each including the at least one target transistor.

16. The OLED display of claim 15, wherein the at least one compensation transistor further includes second and third compensation transistors overlapping the first electrode extension.

17. The OLED display of claim 16, wherein the at least one initialization transistor includes first to third initialization transistors overlapping the first electrode.

18. The OLED display of claim 13, wherein the first electrode has four sides, and wherein the first electrode extension is formed adjacent to three of the four sides of the first electrode.

19. The OLED display of claim 13, wherein the light includes external light or leakage light from a plurality of pixels other than a selected pixel including the OLED.

20. *An organic light-emitting diode (OLED) display, comprising:*

- a plurality of pixels, wherein each of the pixels are connected to a corresponding data line of a plurality of data lines and a corresponding scan line of a plurality of scan lines,*

wherein each of the pixels includes:

- a storage capacitor configured to store a data voltage;*
- a compensation transistor having one end electrically connected to a current path of the storage capacitor;*
- an organic light emitting layer;*
- a first electrode of an OLED formed below the organic light emitting layer; and*

a driving transistor configured to adjust an amount of current flowing in the OLED, and

wherein an electrode extension of the first electrode blocks at least a portion of the compensation transistor from light to prevent an occurrence of a light leakage current on a current leakage path of the storage capacitor,

wherein the compensation transistor has a first end electrically connected to a gate electrode of the driving transistor and a first end of the storage capacitor, and a second end electrically connected to a first end of the driving transistor, wherein the electrode extension of the first electrode of a first one of the pixels overlaps the compensation transistor of a second other one of the pixels adjacent the first pixel, and

wherein no portion of the compensation transistor overlaps the organic light emitting layer of the OLED display.

21. The OLED display of claim 20, wherein each of the pixels further includes an initialization transistor having a

25

first end electrically connected to a first end of the storage capacitor and a second end electrically connected to an initialization voltage line.

22. The OLED display of claim 21, wherein the electrode extension of the first electrode further overlaps the initialization transistor of the second pixel.

23. The OLED display of claim 21, wherein at least one of the initialization transistor and the compensation transistor includes a plurality of gate electrodes.

24. The OLED display of claim 21, wherein a first organic light emitting layer of one of the pixels is adjacent to a second organic emitting layer, and wherein the first and second organic light emitting layers have a minimum interval therebetween formed by a depositing mask.

25. The OLED display of claim 24, wherein the first electrode is formed below the organic light emitting layer and includes a contact configured to be applied with an electrical signal.

26. The OLED display of claim 20, wherein each of the pixels corresponds to one among a first color pixel, a second color pixel, and a third color pixel, wherein the electrode extension of the first electrode of the first and second color pixels are further configured to respectively block the compensation transistor included in the first and second color pixels from the light by as much as a first area, wherein the electrode extension of the first electrode of the third color pixel is further configured to block the compensation transistor included in the third color pixel from the light by as much as a second area, and wherein the first area is larger than the second area.

27. The OLED display of claim 26, wherein the electrode extension of the first electrode of the first and second color pixels are further configured to completely block the compensation transistor included in the first and second color pixels from the light, wherein the electrode extension of the first electrode of the third color pixel is further configured to completely block the initialization transistor included in the third color pixel from the light.

28. The OLED display of claim 27, wherein the OLED display comprises a mono color display device.

29. The OLED display of claim 26, wherein the electrode extension of the first electrode of the first and second color pixels are further configured to completely block the compensation transistor included in the first and second color pixels from the light, and wherein the electrode extension of the first electrode of the third color pixel is further configured to not block the compensation transistor included in the third color pixel from the light.

30. The OLED display of claim 29, wherein the first, second and third colors respectively include red, green, and blue.

31. The OLED display of claim 21, wherein the OLED display is configured to be driven in a low power consumption mode at a first frequency below a predetermined frequency, and wherein a time in which the storage capacitor holds a recorded voltage in the low power consumption mode is greater than a time in which the storage capacitor holds the recorded voltage upon a normal driving.

32. An organic light-emitting diode (OLED) display, comprising:

a storage capacitor having a first end electrically connected to a power source and configured to store a data voltage;

at least one compensation transistor having a first end electrically connected to a second end of the storage capacitor;

26

an OLED configured to receive the data voltage from the storage capacitor and including a first electrode; and a driving transistor configured to adjust an amount of current flowing in the OLED;

wherein the OLED includes an organic light emitting layer, and

wherein an electrode extension of the first electrode is formed over a portion of the at least one compensation transistor and configured to block at least a portion of the at least one compensation transistor from light wherein an electrode extension of the first electrode blocks at least a portion of the compensation transistor from light to prevent an occurrence of a light leakage current on a current leakage path of the storage capacitor,

wherein the at least one compensation transistor includes a compensation transistor has a first end electrically connected to a gate electrode of the driving transistor and second end of the storage capacitor, and a second end electrically connected to a first end of the driving transistor,

wherein the electrode extension of the first electrode of a first one of the pixels overlaps the compensation transistor a second other one of the pixels adjacent the first pixel to block the compensation transistor of the second pixel from light, and

wherein no portion of the compensation transistor overlaps the organic light emitting layer of the OLED display.

33. The OLED display of claim 32, further comprising: at least one initialization transistor including a drain electrode electrically connected to the second end of the storage capacitor.

34. The OLED display of claim 32, wherein the at least one compensation transistor further includes second and third compensation transistors overlapping the electrode extension of the first electrode.

35. The OLED display of claim 33, wherein the at least one initialization transistor includes first to third initialization transistors overlapping the electrode extension of the first electrode.

36. The OLED display of claim 32, wherein the first electrode has four sides, and wherein the electrode extension is formed adjacent to three of the four sides of the first electrode.

37. An organic light-emitting diode (OLED) display, comprising:

a plurality of pixels, wherein each of the pixels are connected to a corresponding data line of a plurality of data lines and a corresponding scan line of a plurality of scan lines,

wherein each of the pixels includes:

a storage capacitor configured to store a data voltage; an initialization transistor having a first end electrically connected to a first end of the storage capacitor and a second end electrically connected to an initialization voltage line;

an organic light emitting layer;

a first electrode of an OLED formed below the organic light emitting layer;

a driving transistor configured to adjust an amount of current flowing in the OLED; and

a compensation transistor having a first end electrically connected to a gate electrode of the driving transistor and a first end of the storage capacitor, and a second end electrically connected to a first end of the driving transistor, and

wherein an electrode extension of the first electrode blocks at least a portion of the initialization transistor from light wherein an electrode extension of the first electrode blocks at least a portion of the compensation transistor from light to prevent an occurrence of a light leakage current on a current leakage path of the storage capacitor,

wherein the electrode extension of the first electrode of a first one of the pixels overlaps the initialization transistor and the compensation transistor of a second other one of the pixels adjacent the first pixel, and wherein no portion of one of a plurality of transistors of the initialization transistor overlaps the organic light emitting layer of the OLED display.

38. The OLED display of claim 37, wherein each of the pixels further includes a compensation transistor having a first end electrically connected to a gate electrode of the driving transistor and a first end of the storage capacitor, and a second end electrically connected to a first end of the driving transistor.

39. The OLED display of claim 38, wherein the electrode extension of the first electrode further overlaps the compensation transistor of the second pixel.

40. The OLED display of claim 38, wherein at least one of the initialization transistor and the compensation transistor includes a plurality of gate electrodes.

41. The OLED display of claim 38, wherein a first organic light emitting layer of one of the pixels is adjacent to a second organic emitting layer, and wherein the first and second organic light emitting layers have a minimum interval therebetween formed by a depositing mask.

42. The OLED display of claim 41, wherein the first electrode is formed below the organic light emitting layer and includes a contact configured to be applied with an electrical signal.

43. The OLED display of claim 37, wherein the OLED display is configured to be driven in a low power consumption mode at a first frequency below a predetermined fre-

quency, and wherein a time in which the storage capacitor holds a recoded voltage in the low power consumption mode is greater than a time in which the storage capacitor holds the recorded voltage upon a normal driving.

44. The OLED display of claim 37, wherein each of the pixels corresponds to one among a first color pixel, a second color pixel, and a third color pixel, wherein the electrode extension of the first electrode of the first and second color pixels are further configured to respectively block the initialization transistor included in the first and second color pixels from the light by as much as a first area, wherein the electrode extension of the first electrode of the third color pixel is further configured to block the initialization transistor included in the third color pixel from the light by as much as a second area, and wherein the first area is larger than the second area.

45. The OLED display of claim 44, wherein the electrode extension of the first electrode of the first and second color pixels are further configured to completely block the compensation transistor included in the first and second color pixels from the light, wherein the electrode extension of the first electrode of the third color pixel is further configured to completely block the initialization transistor included in the third color pixel from the light.

46. The OLED display of claim 45, wherein the OLED display comprises a mono color display device.

47. The OLED display of claim 44, wherein the electrode extension of the first electrode of the first and second color pixels are further configured to completely block the compensation transistor included in the first and second color pixels from the light, and wherein the electrode extension of the first electrode of the third color pixel is further configured to not block the compensation transistor included in the third color pixel from the light.

48. The OLED display of claim 47, wherein the first, second and third colors respectively include red, green, and blue.

* * * * *