



US00RE49984E

(19) **United States**  
(12) **Reissued Patent**  
**Samikkannu et al.**

(10) **Patent Number: US RE49,984 E**  
(45) **Date of Reissued Patent: May 28, 2024**

(54) **TABLE**

(71) Applicant: **AMTAB MANUFACTURING CORPORATION**, Bensenville, IL (US)

(72) Inventors: **Doss Samikkannu**, Des Plaines, IL (US); **Jeremias C. Rivera, Jr.**, Elmhurst, IL (US)

(73) Assignee: **AMTAB MANUFACTURING CORPORATION**, Aurora, IL (US)

(21) Appl. No.: **29/725,015**

(22) Filed: **Feb. 21, 2020**

**Related U.S. Patent Documents**

Reissue of:

(64) Patent No.: **Des. 836,928**  
Issued: **Jan. 1, 2019**  
Appl. No.: **29/611,865**  
Filed: **Jul. 26, 2017**

(51) **LOC (14) Cl.** ..... **06-01**

(52) **U.S. Cl.**  
USPC ..... **D6/337**

(58) **Field of Classification Search**  
USPC ..... D6/334–338, 340–342

(Continued)

(56) **References Cited**

**U.S. PATENT DOCUMENTS**

2,777,742 A \* 1/1957 Schieber ..... A47B 5/06  
108/169  
3,191,991 A \* 6/1965 Anderson ..... A47B 3/14  
297/158.4

(Continued)

**OTHER PUBLICATIONS**

AmTab Manufacturing Corporation, AmTab American Tables—  
Since 1958, Mobile Table catalog, 2016, pp. 3, 6, 8 and 9.

*Primary Examiner* — Darlington Ly

(74) *Attorney, Agent, or Firm* — Barnes & Thornburg LLP

(57) **CLAIM**

The ornamental design for a table [with bench seating], as shown and described.

**DESCRIPTION**

FIG. 1 is a top front perspective view of a table [with bench seating] depicting the new design;

FIG. 2 is a front elevational view of the table depicted in FIG. 1;

FIG. 3 is a rear elevational view of the table depicted in FIG. 1;

FIG. 4 is a left side elevational view of the table depicted in a FIG. 1;

FIG. 5 is a right side elevational view of the table depicted in FIG. 1;

FIG. 6 is a top plan view of the table depicted in FIG. 1; and, FIG. 7 is a bottom plan view of the table depicted in FIG. 1[.];

*FIG. 8 is a top and front perspective view of a table depicting another embodiment of the new design;*

*FIG. 9 is a front elevational view of the table depicted in FIG. 8;*

*FIG. 10 is a rear elevational view of the table depicted in FIG. 8;*

*FIG. 11 is a left side elevational view of the table depicted in FIG. 8*

*FIG. 12 is a right side elevational view of the table depicted in FIG. 8;*

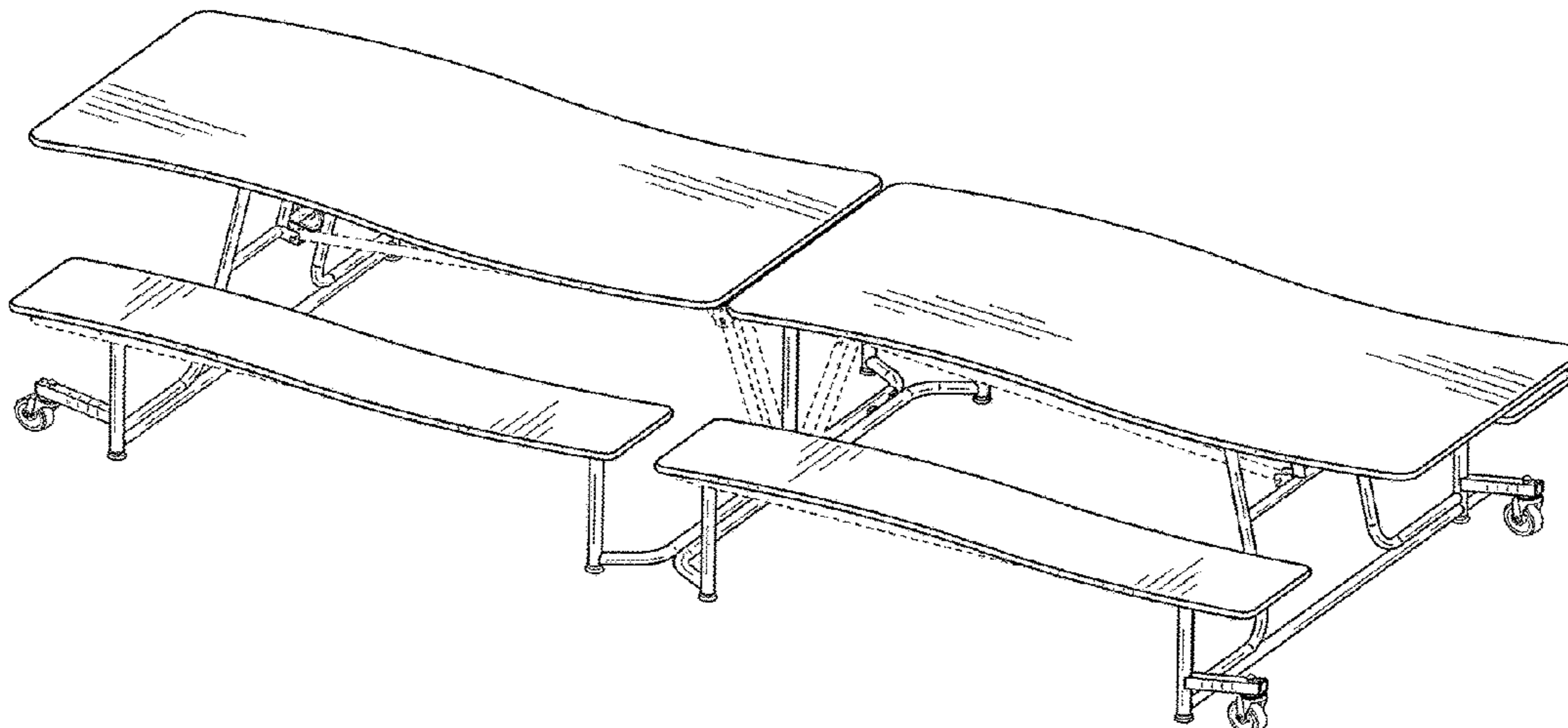
*FIG. 13 is a top plan view of the table depicted in FIG. 8; and,*

*FIG. 14 is a bottom plan view of the table depicted in FIG. 8.*

The broken lines [showing portions of the table frame are for the purpose of illustrating] *in the drawings illustrate* portions of the table [with bench seating] that form no part of the claimed design.

**1 Claim, 10 Drawing Sheets**

**Matter enclosed in heavy brackets [ ] appears in the original patent but forms no part of this reissue; matter printed in italics indicates the additions made by reissue.**



# US RE49,984 E

Page 2

(58) **Field of Classification Search**  
CPC ..... A47B 3/002; A47B 3/083; A47B 3/087;  
A47B 3/14; A47B 2003/145; A47B 83/02  
See application file for complete search history.

(56) **References Cited**

U.S. PATENT DOCUMENTS

D209,758 S 1/1968 Blink et al.  
D211,886 S 8/1968 Benjamin  
4,819,569 A \* 4/1989 Bastian ..... A47B 3/083  
108/169  
4,826,244 A \* 5/1989 Choi ..... A47B 3/14  
108/35  
D327,779 S 7/1992 Jensen  
D390,381 S 2/1998 Dormon  
D413,734 S 9/1999 Bue  
D417,094 S 11/1999 Schwartz  
6,065,802 A 5/2000 Bue  
D439,060 S 3/2001 Larsen  
6,223,661 B1 \* 5/2001 Griepentrog ..... A47B 3/14  
108/115  
6,347,831 B1 2/2002 Nye  
D456,155 S 4/2002 DeVriendt  
6,363,866 B1 4/2002 Schwartz  
D478,732 S 8/2003 Pajerski  
D514,830 S 2/2006 Bue  
D527,209 S 8/2006 Nicoletti  
7,171,911 B1 2/2007 Rivera, Jr.  
D546,097 S 7/2007 Glass

D559,580 S 1/2008 Newhouse  
D571,566 S 6/2008 Patel  
D572,505 S 7/2008 Davis  
D573,360 S 7/2008 Bue  
D604,522 S 11/2009 Wegman  
7,611,193 B2 11/2009 Bue  
D637,826 S 5/2011 DeVriendt  
D639,572 S 6/2011 Frobose  
D659,327 S 5/2012 Davis  
8,181,583 B2 5/2012 Rivera, Jr. et al. .... A47B 3/14  
108/168  
8,205,937 B2 6/2012 Rivera, Jr. et al. .... A47B 3/14  
297/158.4  
D670,089 S 11/2012 Frobose  
8,479,667 B2 7/2013 Rivera, Jr. et al.  
9,101,218 B2 8/2015 Bradley  
D752,316 S 3/2016 Gil  
D781,629 S 3/2017 Handler  
D793,136 S 8/2017 Grano  
D802,945 S 11/2017 Rivera, Jr.  
D832,604 S \* 11/2018 Samikkannu ..... D6/337  
D836,928 S \* 1/2019 Samikkannu ..... D6/337  
10,238,205 B2 \* 3/2019 Dickey ..... A47B 3/083  
D846,925 S 4/2019 Handler  
2002/0161984 A1 10/2002 Lloyd-Jones  
2005/0161984 A1 7/2005 Bue  
2010/0301641 A1 \* 12/2010 Rivera, Jr. .... A47B 3/14  
297/158.4  
2012/0013152 A1 1/2012 Bradley  
2017/0245632 A1 8/2017 Dickey

\* cited by examiner

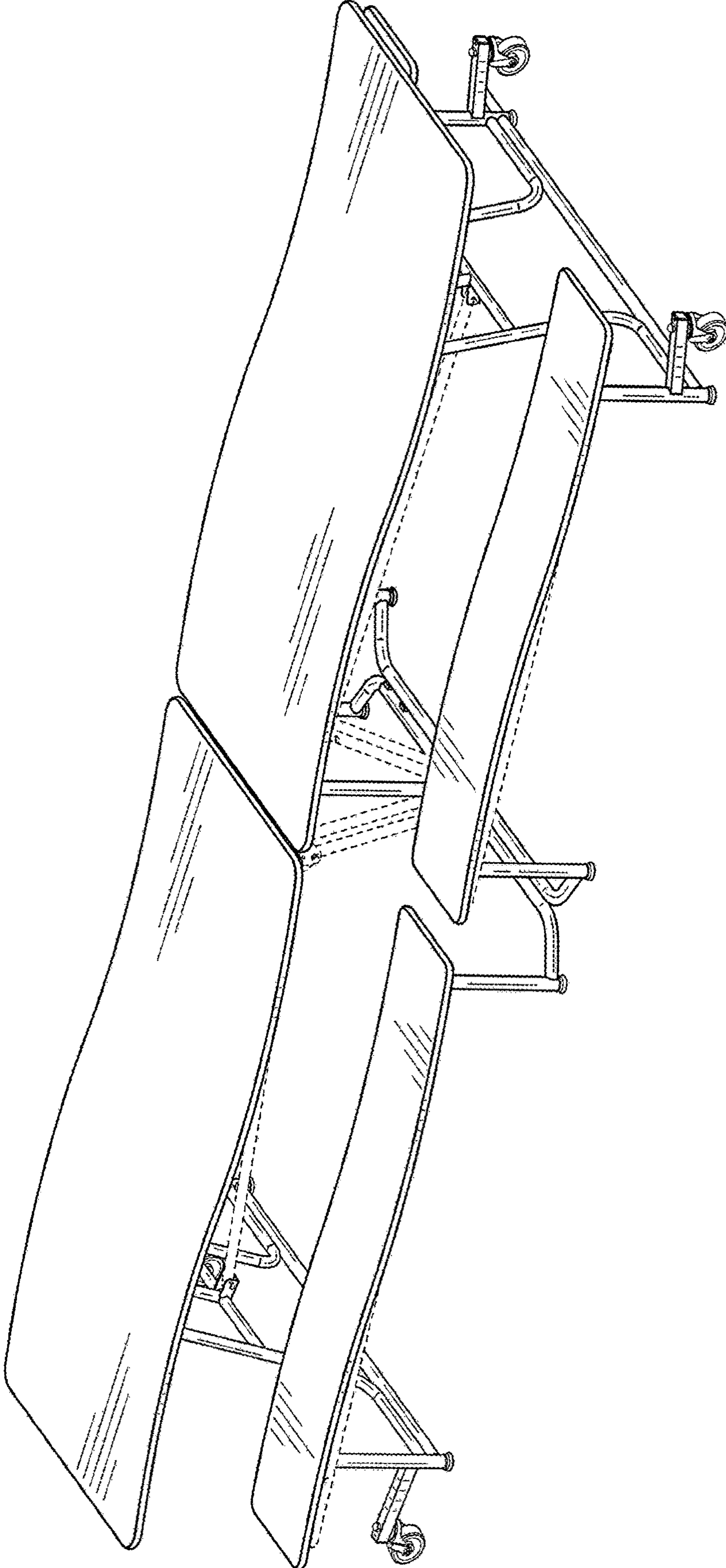


FIG. 1

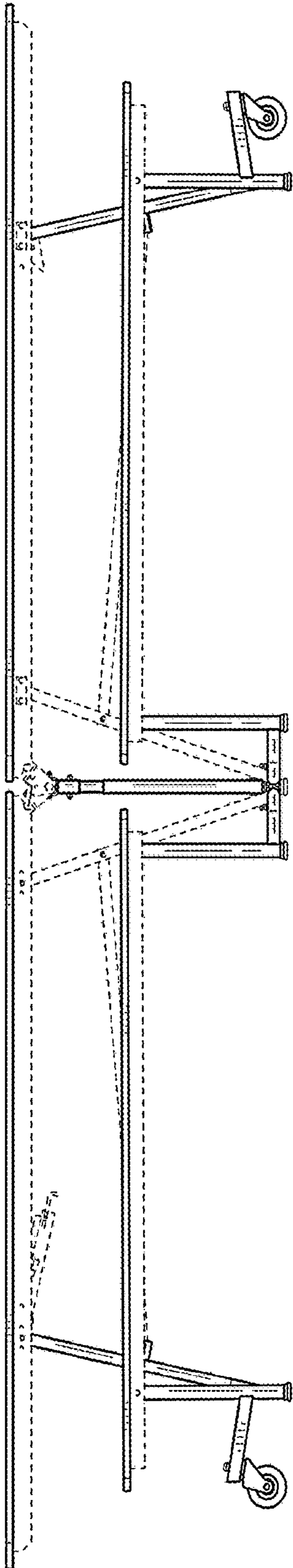


FIG. 2

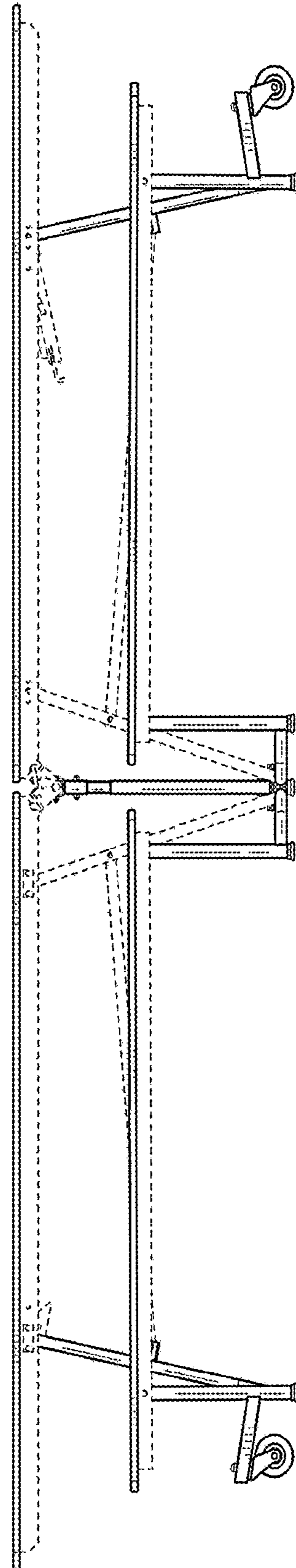


FIG. 3

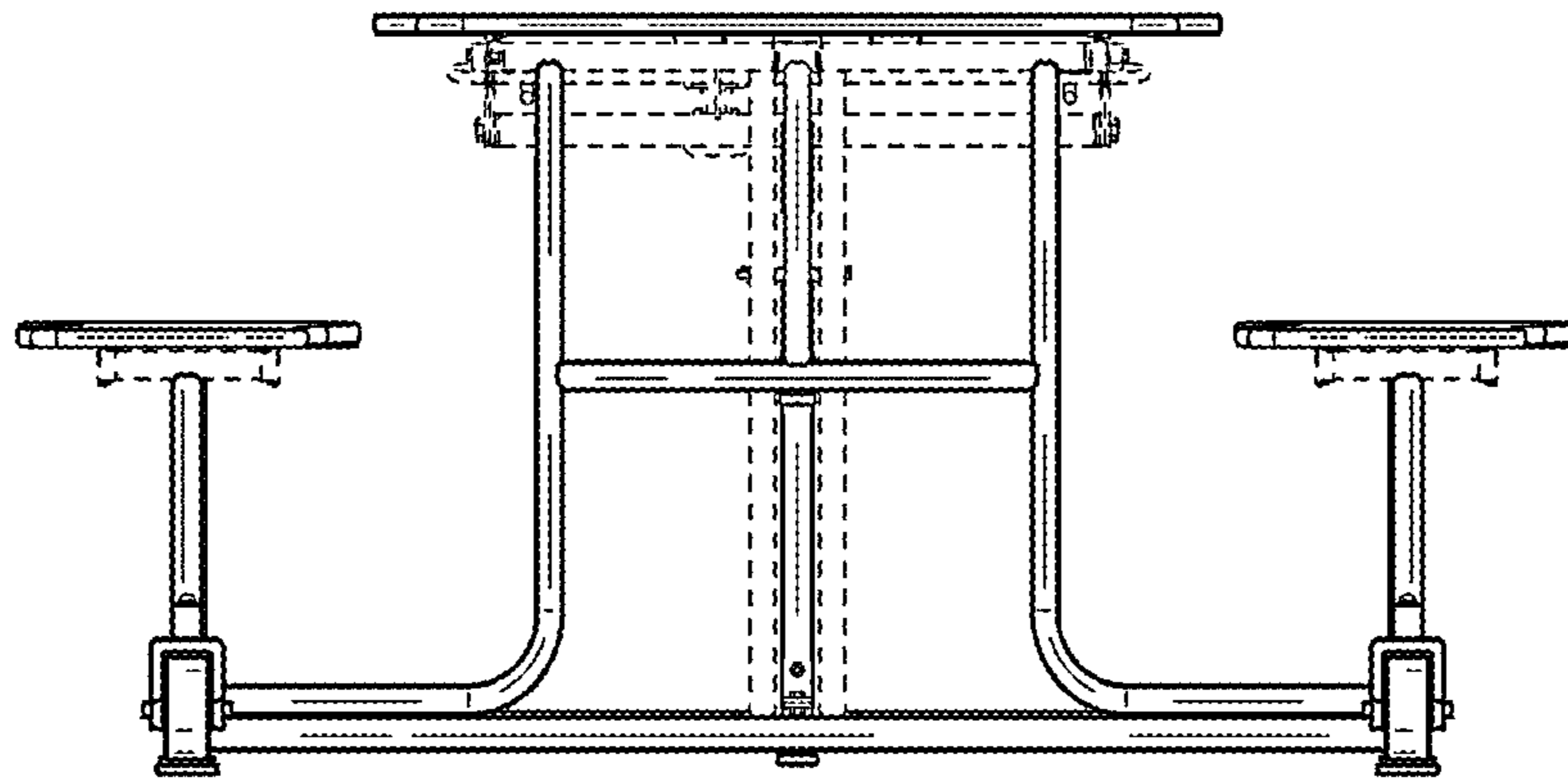


FIG. 4

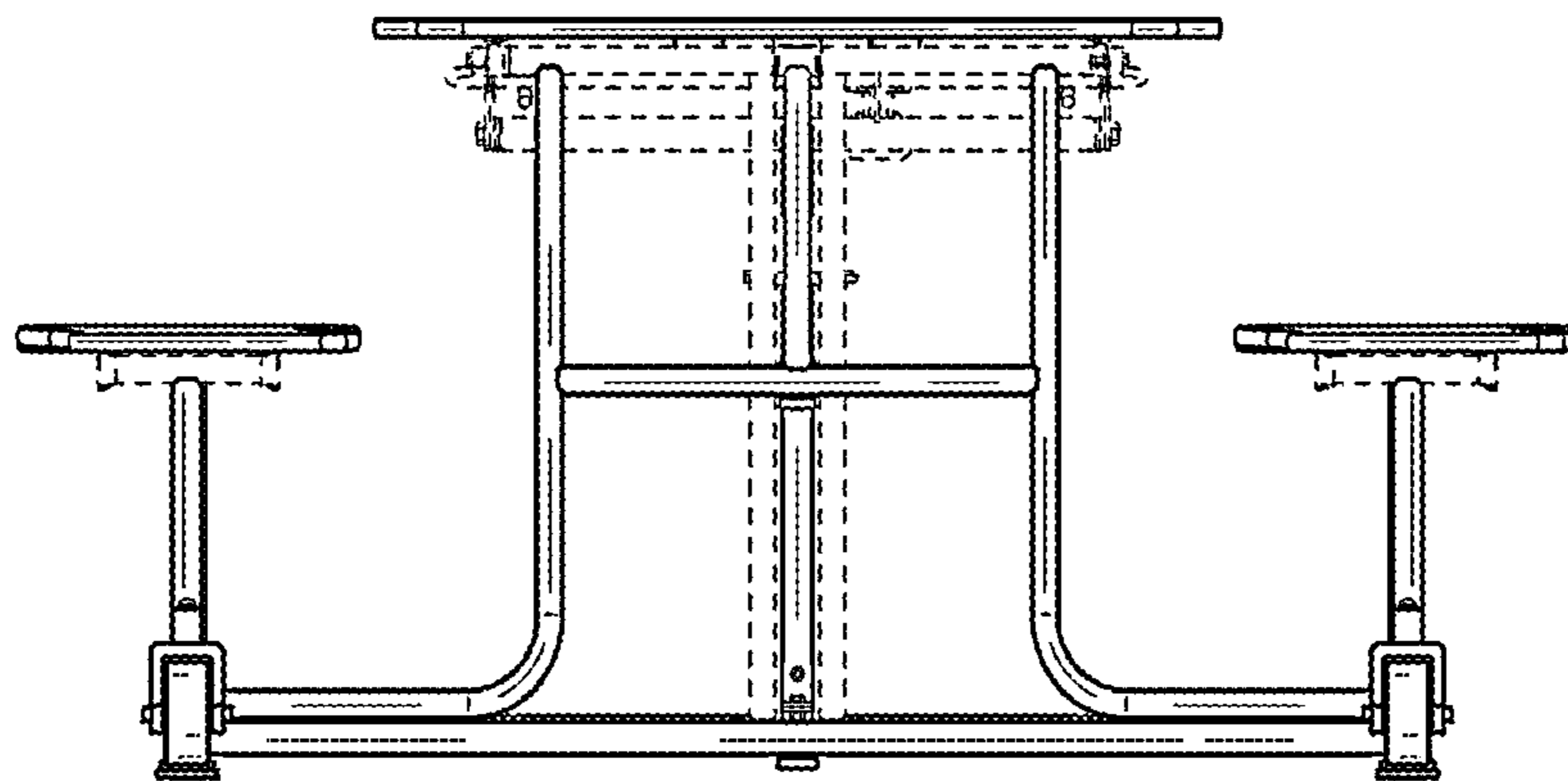


FIG. 5

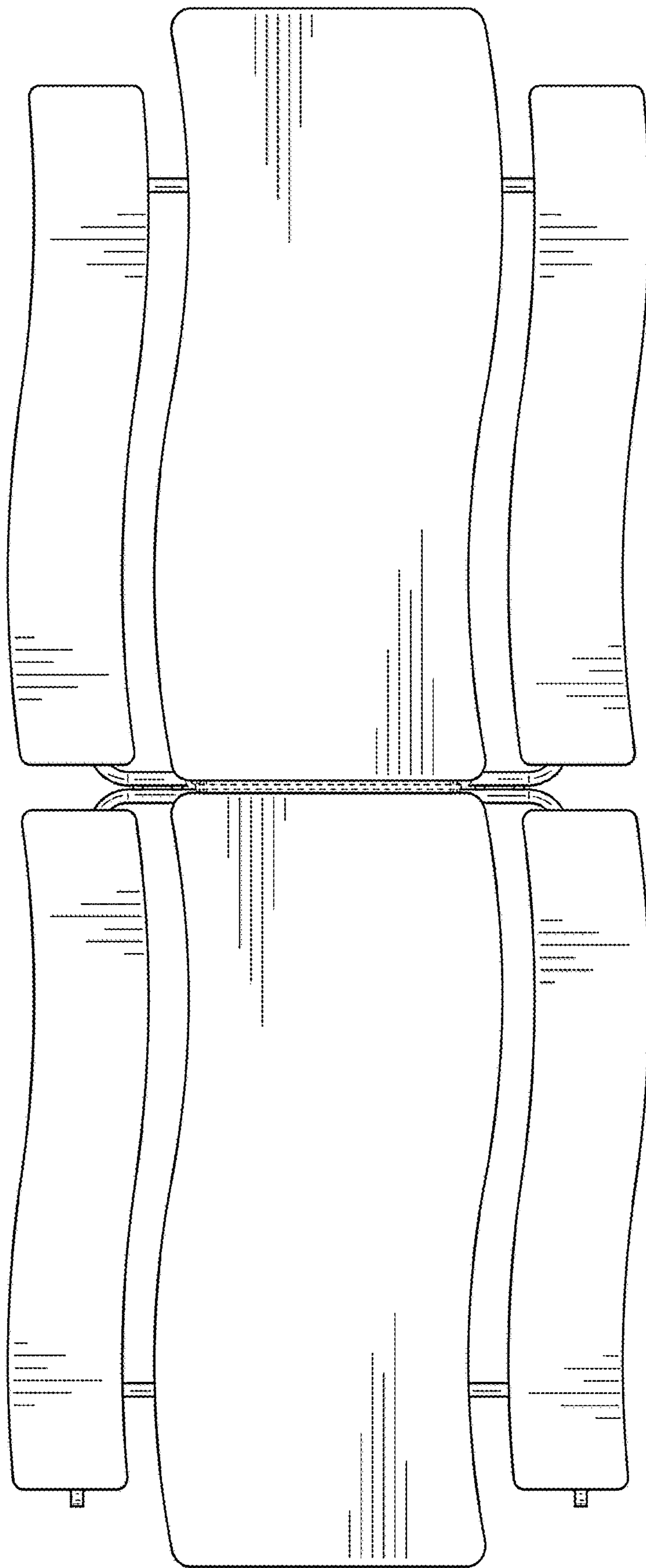


FIG. 6

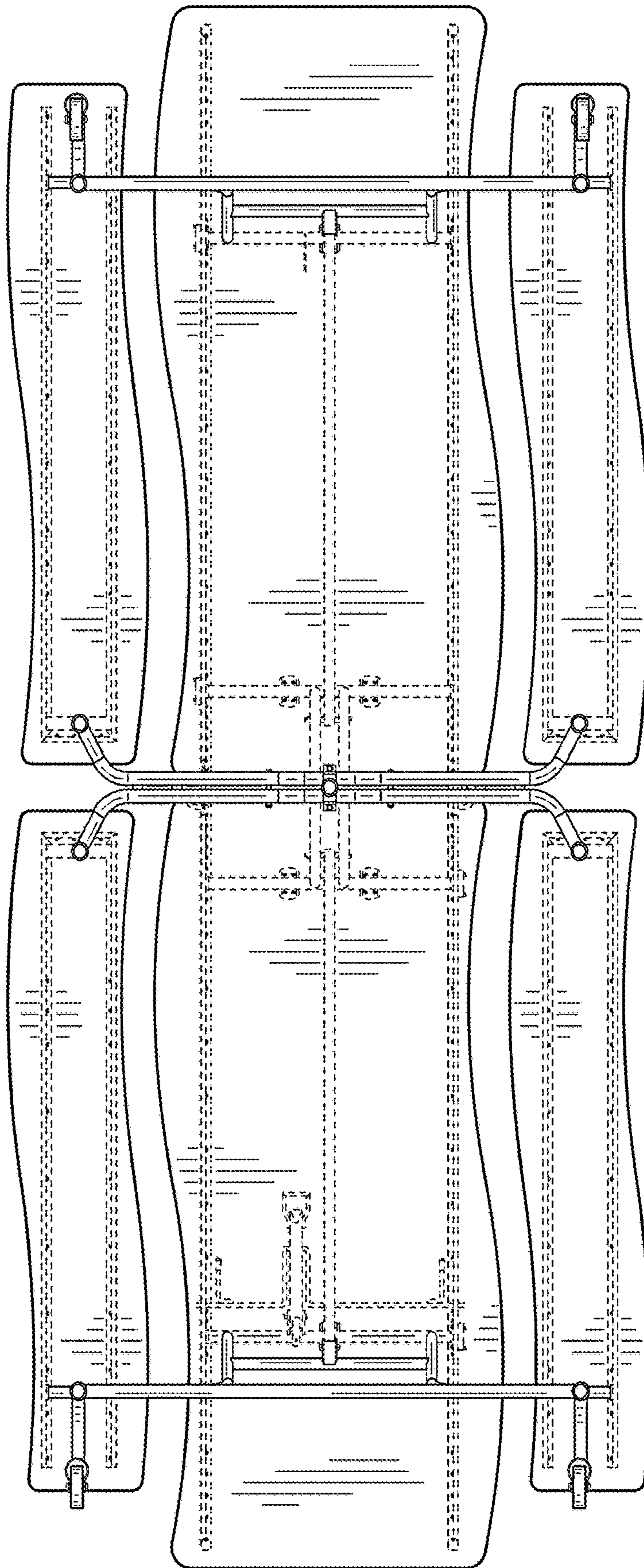


FIG. 7

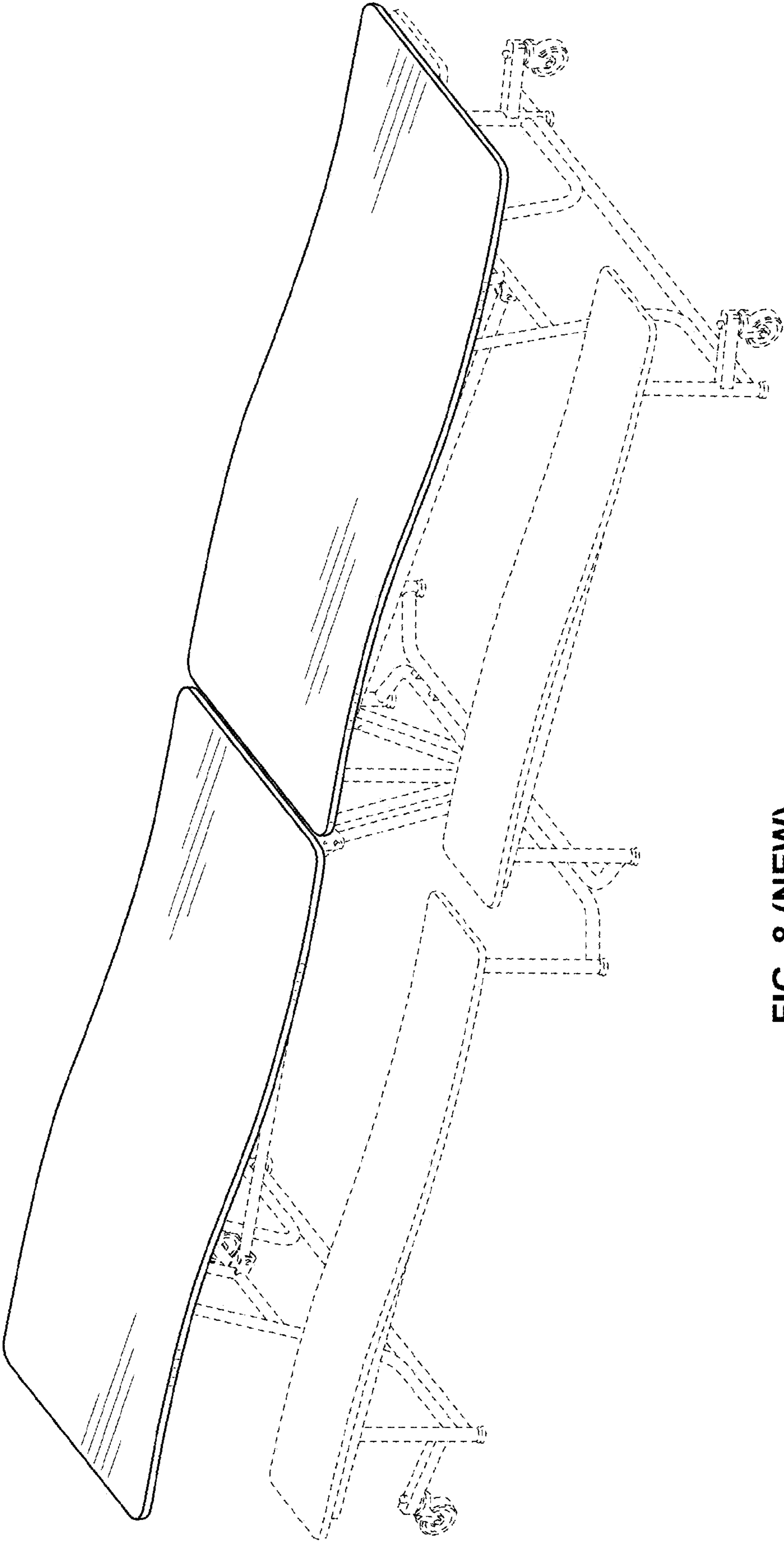


FIG. 8 (NEW)





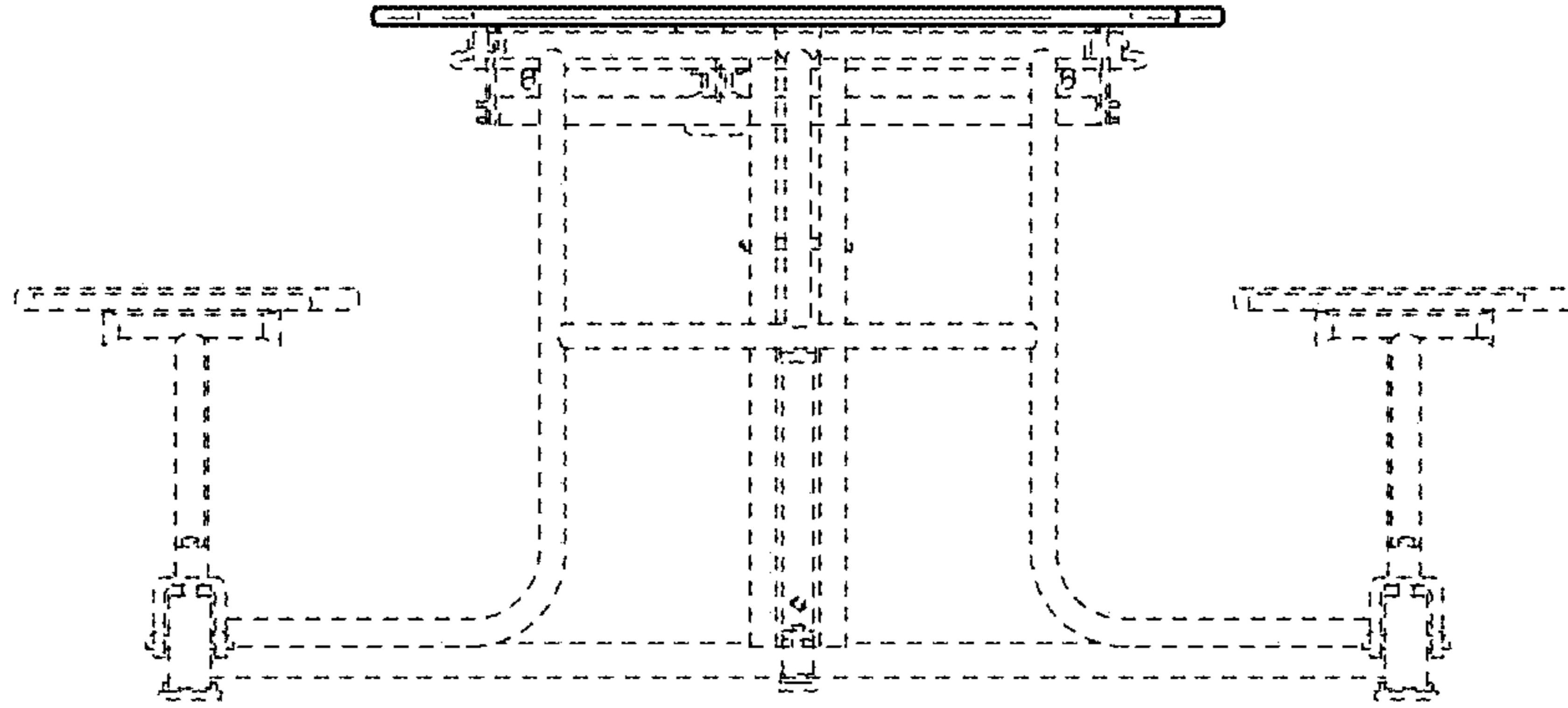


FIG. 11 (NEW)

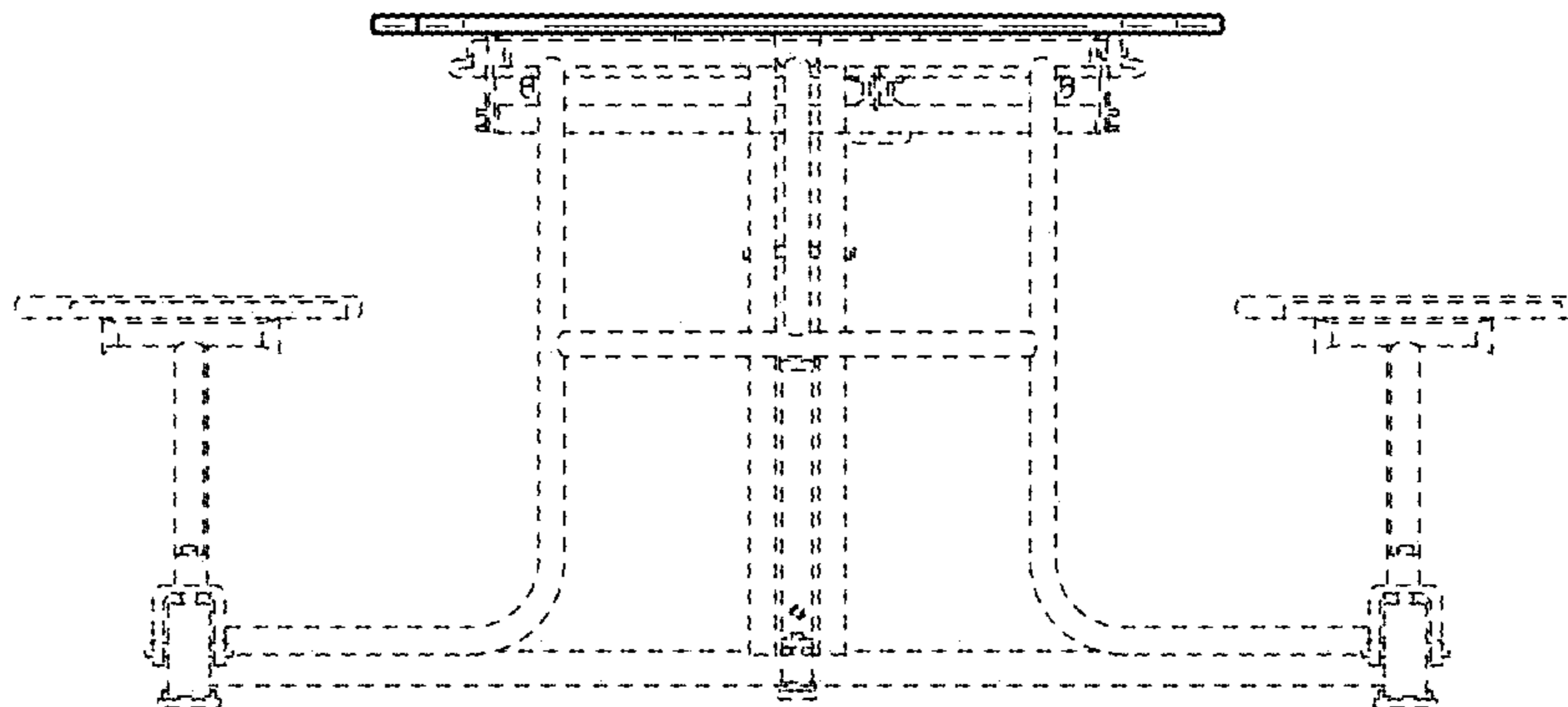


FIG. 12 (NEW)

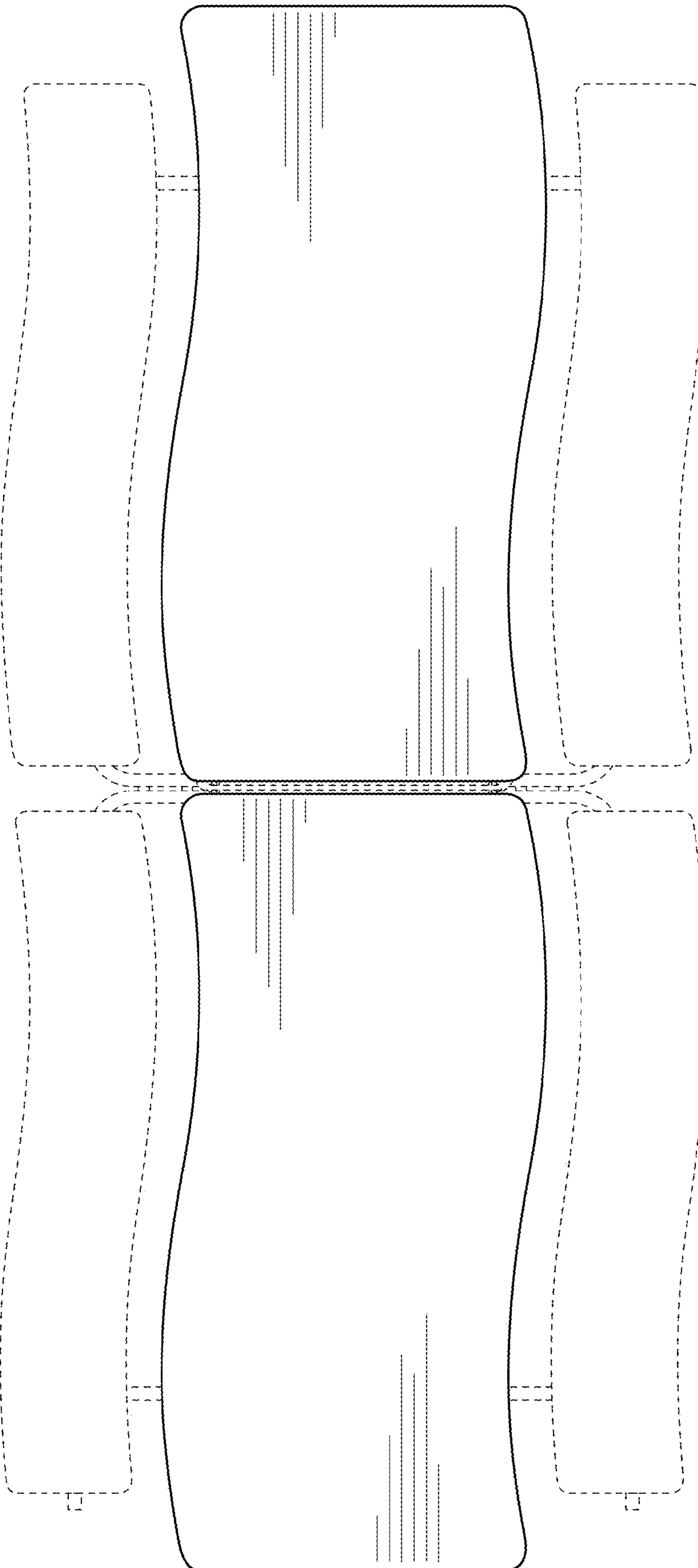


FIG. 13 (NEW)

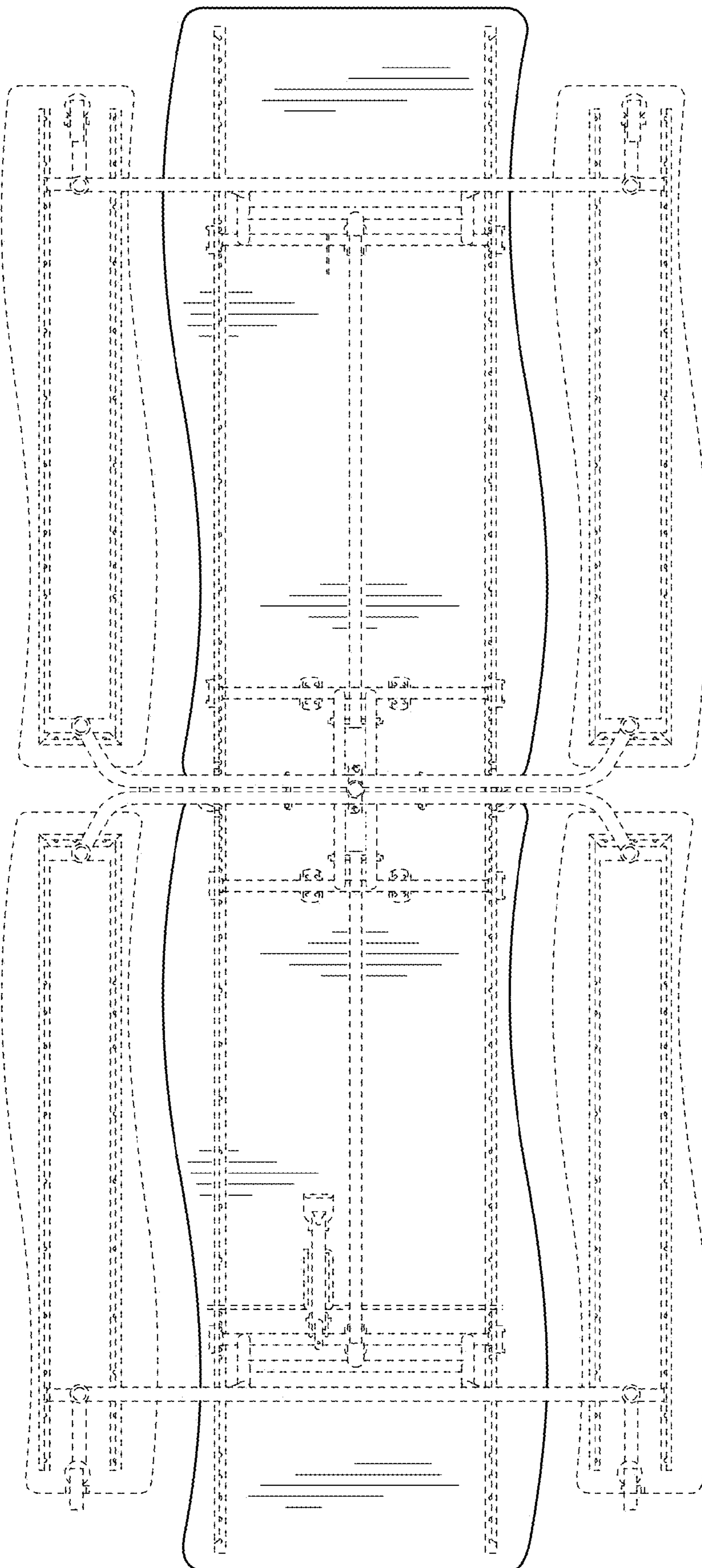


FIG. 14 (NEW)