

US00RE49973E

(19) **United States**  
(12) **Reissued Patent**  
**Miller**

(10) **Patent Number: US RE49,973 E**  
(45) **Date of Reissued Patent: May 21, 2024**

(54) **EXPANDABLE INTERVERTEBRAL IMPLANT, SYSTEM, KIT AND METHOD**

1,965,653 A 7/1934 Kennedy  
2,077,804 A 4/1937 Morrison  
2,115,250 A 4/1938 Bruson  
2,121,193 A 6/1938 Hanicke  
2,170,111 A 8/1939 Bruson  
(Continued)

(71) Applicant: **DePuy Synthes Products, Inc.**,  
Raynham, MA (US)

(72) Inventor: **William Miller**, Middleboro, MA (US)

(73) Assignee: **DePuy Synthes Products, Inc.**,  
Raynham, MA (US)

**FOREIGN PATENT DOCUMENTS**

AU 2006279558 A1 2/2007  
AU 2005314079 B2 7/2012  
(Continued)

(21) Appl. No.: **16/441,356**

(22) Filed: **Jun. 14, 2019**

**OTHER PUBLICATIONS**

Alfen et al., "Developments in the area of Endoscopic Spine Surgery", European Musculoskeletal Review 2006, pp. 23-24, Thesys™, Transforaminal Endoscopic Spine Systems, joi max Medical Solutions.

(Continued)

**Related U.S. Patent Documents**

Reissue of:

(64) Patent No.: **9,717,601**  
Issued: **Aug. 1, 2017**  
Appl. No.: **13/780,796**  
Filed: **Feb. 28, 2013**

*Primary Examiner* — Glenn K Dawson

(74) *Attorney, Agent, or Firm* — BakerHostetler

(51) **Int. Cl.**  
**A61F 2/44** (2006.01)  
**A61F 2/30** (2006.01)  
**A61F 2/46** (2006.01)

(57) **ABSTRACT**

An implant includes a first plate and a second plate, a first wedge member and a second wedge member spaced from the first wedge member that couple the first and second plates together. The first and second wedge members configured to translate along the first and second plates from a first contracted configuration into a second separated configuration. The implant includes an actuation member coupled to the first wedge member and the second wedge member. The actuating member defines a flange extending toward the first and second plates. The actuation member configured to move the first and second wedge members from the first contracted configuration into the second separated configuration so that the first and second plates separate from each other.

(52) **U.S. Cl.**  
CPC ..... **A61F 2/4455** (2013.01); **A61F 2/447** (2013.01); **A61F 2/4611** (2013.01); **A61F 2002/3008** (2013.01); **A61F 2002/30156** (2013.01); **A61F 2002/3082** (2013.01)

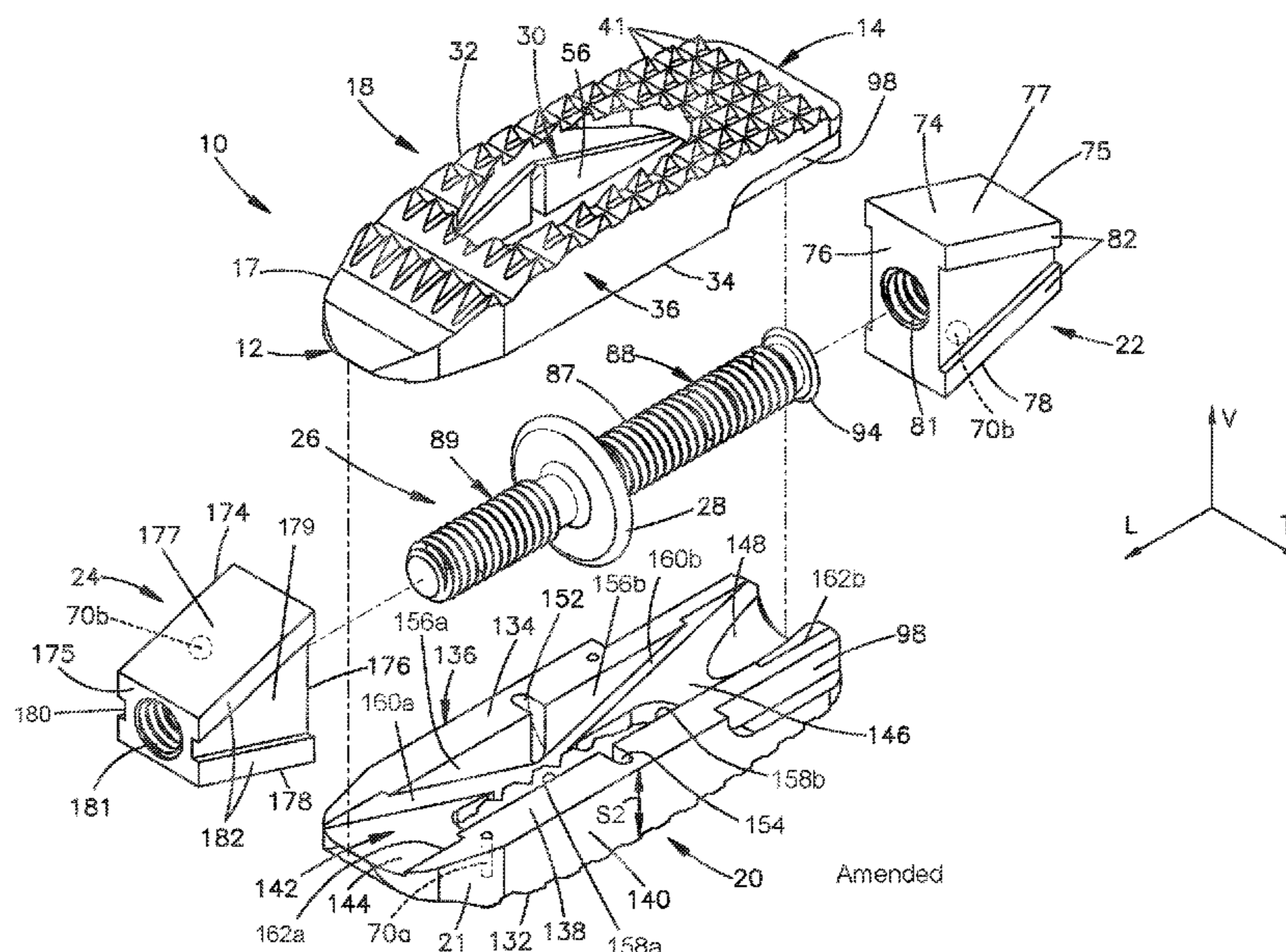
(58) **Field of Classification Search**  
CPC ..... **A61F 2/4455**; **A61F 2/447**; **A61F 2/4611**  
USPC ..... **623/17.15**  
See application file for complete search history.

(56) **References Cited**

**U.S. PATENT DOCUMENTS**

1,802,560 A 4/1931 Kerwin  
1,924,695 A 8/1933 Olson

**35 Claims, 14 Drawing Sheets**



(56)

## References Cited

## U.S. PATENT DOCUMENTS

2,173,655 A	9/1939	Neracher et al.	4,495,174 A	1/1985	Allcock et al.
2,229,024 A	1/1941	Brunson	4,532,660 A	8/1985	Field
2,243,717 A	5/1941	Moreira	4,537,185 A	8/1985	Stednitz
2,381,050 A	8/1945	Hardinge	4,538,612 A	9/1985	Patrick, Jr.
2,388,056 A	10/1945	Hendricks	4,542,539 A	9/1985	Rowe et al.
2,485,531 A	10/1949	William et al.	4,545,374 A	10/1985	Jacobson
2,489,870 A	11/1949	Dzus	4,562,598 A	1/1986	Kranz
2,570,465 A	10/1951	Lundholm	4,573,448 A	3/1986	Kambin
2,677,369 A	5/1954	Knowles	4,595,006 A	6/1986	Burke et al.
2,706,701 A	4/1955	Hans et al.	4,601,710 A	7/1986	Moll
2,710,277 A	6/1955	Shelanski et al.	4,625,722 A	12/1986	Murray
2,826,532 A	3/1958	Hosmer	4,625,725 A	12/1986	Davison et al.
2,900,305 A	8/1959	Siggia	4,627,434 A	12/1986	Murray
2,977,315 A	3/1961	Scheib et al.	4,628,945 A	12/1986	Johnson, Jr.
3,091,237 A	5/1963	Skinner	4,629,450 A	12/1986	Suzuki et al.
3,112,743 A	12/1963	Cochran et al.	4,630,616 A	12/1986	Tretinyak
3,115,804 A	12/1963	Johnson	4,632,101 A	12/1986	Freedland
3,228,828 A	1/1966	Romano	4,640,271 A	2/1987	Lower
3,312,139 A	4/1967	Di Cristina	4,641,640 A	2/1987	Griggs
3,486,505 A	12/1969	Morrison	4,645,503 A	2/1987	Lin et al.
3,489,143 A	1/1970	Halloran	4,646,741 A	3/1987	Smith
3,648,294 A	3/1972	Shahrestani	4,651,717 A	3/1987	Jakubczak
3,698,391 A	10/1972	Mahony	4,653,489 A	3/1987	Tronzo
3,717,655 A	2/1973	Godefroi et al.	4,665,906 A	5/1987	Jervis
3,760,802 A	9/1973	Fischer et al.	4,667,663 A	5/1987	Miyata
3,800,788 A	4/1974	White	4,686,973 A	8/1987	Frisch
3,805,775 A	4/1974	Fischer et al.	4,686,984 A	8/1987	Bonnet
3,811,449 A	5/1974	Gravlee et al.	4,688,561 A	8/1987	Reese
3,842,825 A	10/1974	Wagner	4,697,584 A	10/1987	Haynes
3,848,601 A	11/1974	Ma et al.	4,706,670 A	11/1987	Andersen et al.
3,855,638 A	12/1974	Pilliar	4,714,469 A	12/1987	Kenna
3,867,728 A	2/1975	Stubstad et al.	4,714,478 A	12/1987	Fischer
3,875,595 A	4/1975	Froning	4,721,103 A	1/1988	Freedland
3,889,665 A	6/1975	Ling et al.	4,723,544 A	2/1988	Moore et al.
3,964,480 A	6/1976	Froning	4,743,256 A	5/1988	Brantigan
3,986,504 A	10/1976	Avila	4,743,257 A	5/1988	Toermaelae et al.
4,013,071 A	3/1977	Rosenberg	4,759,766 A	7/1988	Buettner-Janz et al.
4,052,988 A	10/1977	Doddi et al.	4,760,843 A	8/1988	Fischer et al.
4,091,806 A	5/1978	Aginsky	4,772,287 A	9/1988	Ray et al.
4,105,034 A	8/1978	Shalaby et al.	4,790,304 A	12/1988	Rosenberg
4,130,639 A	12/1978	Shalaby et al.	4,790,817 A	12/1988	Luther
4,140,678 A	2/1979	Shalaby et al.	4,796,612 A	1/1989	Reese
4,141,087 A	2/1979	Shalaby et al.	4,802,479 A	2/1989	Haber et al.
4,175,555 A	11/1979	Herbert	4,815,909 A	3/1989	Simons
4,205,399 A	6/1980	Jamiolkowski et al.	4,827,917 A	5/1989	Brumfield
4,236,512 A	12/1980	Aginsky	4,834,069 A	5/1989	Umeda
4,249,435 A	2/1981	Smith et al.	4,834,757 A	5/1989	Brantigan
4,262,665 A	4/1981	Roalstad et al.	4,838,282 A	6/1989	Strasser et al.
4,262,676 A	4/1981	Jamshidi	4,858,601 A	8/1989	Glisson
4,274,163 A	6/1981	Malcom et al.	4,862,891 A	9/1989	Smith
4,275,717 A	6/1981	Bolesky	4,863,476 A	9/1989	Shepperd
4,312,337 A	1/1982	Donohue	4,870,153 A	9/1989	Matzner et al.
4,312,353 A	1/1982	Shahbabian	4,871,366 A	10/1989	von Recum et al.
4,313,434 A	2/1982	Segal	4,873,976 A	10/1989	Schreiber
4,341,206 A	7/1982	Perrett et al.	4,878,915 A	11/1989	Brantigan
4,349,921 A	9/1982	Kuntz	4,880,622 A	11/1989	Allcock et al.
4,350,151 A	9/1982	Scott	4,888,022 A	12/1989	Huebsch
4,351,069 A	9/1982	Ballintyn et al.	4,888,024 A	12/1989	Powlan
4,352,883 A	10/1982	Lim	4,889,119 A	12/1989	Jamiolkowski et al.
4,369,790 A	1/1983	McCarthy	4,892,550 A	1/1990	Huebsch
4,399,814 A	8/1983	Pratt et al.	4,896,662 A	1/1990	Noble
4,401,112 A	8/1983	Rezaian	4,898,186 A	2/1990	Ikada et al.
4,401,433 A	8/1983	Luther	4,898,577 A	2/1990	Badger et al.
4,409,974 A	10/1983	Freedland	4,903,692 A	2/1990	Reese
4,440,921 A	4/1984	Allcock et al.	4,904,261 A	2/1990	Dove et al.
4,449,532 A	5/1984	Storz	4,911,718 A	3/1990	Lee et al.
4,451,256 A	5/1984	Weikl et al.	4,917,554 A	4/1990	Bronn
4,456,005 A	6/1984	Lichty	4,932,969 A	6/1990	Frey et al.
4,462,394 A	7/1984	Jacobs	4,940,467 A	7/1990	Tronzo
4,463,753 A	8/1984	Gustilo	4,941,466 A	7/1990	Romano
4,466,435 A	8/1984	Murray	4,946,378 A	8/1990	Hirayama et al.
4,467,479 A	8/1984	Brody	4,959,064 A	9/1990	Engelhardt
4,488,543 A	12/1984	Tornier	4,961,740 A	10/1990	Ray et al.
4,488,549 A	12/1984	Lee et al.	4,963,144 A	10/1990	Huene
4,494,535 A	1/1985	Haig	4,966,587 A	10/1990	Baumgart
			4,968,317 A	11/1990	Toermaelae et al.
			4,969,888 A	11/1990	Scholten et al.
			4,978,334 A	12/1990	Toye et al.
			4,978,349 A	12/1990	Frigg

(56)

## References Cited

## U.S. PATENT DOCUMENTS

4,981,482 A	1/1991	Ichikawa	5,257,632 A	11/1993	Turkel et al.
4,988,351 A	1/1991	Paulos et al.	5,263,953 A	11/1993	Bagby
4,994,027 A	2/1991	Farrell	5,269,797 A	12/1993	Bonati et al.
4,995,200 A	2/1991	Eberhart	5,280,782 A	1/1994	Wilk
5,002,557 A	3/1991	Hasson	5,285,795 A	2/1994	Ryan et al.
5,006,121 A	4/1991	Hafeli	5,286,001 A	2/1994	Rafeld
5,011,484 A	4/1991	Breard	5,290,243 A	3/1994	Chodorow et al.
5,013,315 A	5/1991	Barrows	5,290,312 A	3/1994	Kojimoto et al.
5,013,316 A	5/1991	Goble et al.	5,300,074 A	4/1994	Frigg
5,015,247 A	5/1991	Michelson	5,303,718 A	4/1994	Krajicek
5,015,255 A	5/1991	Kuslich	5,304,142 A	4/1994	Liebl et al.
5,019,082 A	5/1991	Frey et al.	5,306,307 A	4/1994	Senter et al.
5,030,233 A	7/1991	Ducheyne	5,306,308 A	4/1994	Gross et al.
5,051,189 A	9/1991	Farrah	5,306,309 A	4/1994	Wagner et al.
5,053,035 A	10/1991	McLaren	5,306,310 A	4/1994	Siebels
5,055,104 A	10/1991	Ray	5,308,327 A	5/1994	Heaven et al.
5,059,193 A	10/1991	Kuslich	5,308,352 A	5/1994	Koutrouvelis
5,062,849 A	11/1991	Schelhas	5,312,410 A	5/1994	Miller et al.
5,071,435 A	12/1991	Fuchs et al.	5,312,417 A	5/1994	Wilk
5,071,437 A	12/1991	Steffee	5,314,477 A	5/1994	Marnay
5,080,662 A	1/1992	Paul	5,320,644 A	6/1994	Baumgartner
5,084,043 A	1/1992	Hertzmann et al.	5,322,505 A	6/1994	Krause et al.
5,092,891 A	3/1992	Kummer et al.	5,324,261 A	6/1994	Amundson et al.
5,098,241 A	3/1992	Aldridge et al.	5,330,429 A	7/1994	Noguchi et al.
5,098,433 A	3/1992	Freedland	5,331,975 A	7/1994	Bonutti
5,098,435 A	3/1992	Stednitz et al.	5,334,184 A	8/1994	Bimman
5,102,413 A	4/1992	Poddar	5,334,204 A	8/1994	Clewett et al.
5,108,404 A	4/1992	Scholten et al.	5,342,365 A	8/1994	Waldman
5,114,407 A	5/1992	Burbank	5,342,382 A	8/1994	Brinkerhoff et al.
5,116,336 A	5/1992	Frigg	5,344,252 A	9/1994	Kakimoto
5,120,171 A	6/1992	Lasner	5,361,752 A	11/1994	Moll et al.
5,122,130 A	6/1992	Keller	5,364,398 A	11/1994	Chapman et al.
5,122,133 A	6/1992	Evans	5,370,646 A	12/1994	Reese et al.
5,122,141 A	6/1992	Simpson et al.	5,370,647 A	12/1994	Graber et al.
5,123,926 A	6/1992	Pisharodi	5,370,661 A	12/1994	Branch
5,133,719 A	7/1992	Winston	5,370,697 A	12/1994	Baumgartner
5,133,755 A	7/1992	Brekke	5,372,660 A	12/1994	Davidson et al.
5,134,477 A	7/1992	Knauer et al.	5,374,267 A	12/1994	Siegal
5,139,486 A	8/1992	Moss	5,382,248 A	1/1995	Jacobson et al.
5,147,366 A	9/1992	Arroyo et al.	5,383,932 A	1/1995	Wilson et al.
5,158,543 A	10/1992	Lazarus	5,385,151 A	1/1995	Scarfone et al.
5,163,939 A	11/1992	Winston	5,387,213 A	2/1995	Breard et al.
5,163,989 A	11/1992	Campbell et al.	5,387,215 A	2/1995	Fisher
5,167,663 A	12/1992	Brumfield	5,390,683 A	2/1995	Pisharodi
5,167,664 A	12/1992	Hodorek	5,395,317 A	3/1995	Kambin
5,169,400 A	12/1992	Muehling et al.	5,395,371 A	3/1995	Miller et al.
5,169,402 A	12/1992	Elloy	5,397,364 A	3/1995	Kozak et al.
5,171,278 A	12/1992	Pisharodi	5,401,269 A	3/1995	Buttner-Janz et al.
5,171,279 A	12/1992	Mathews	5,407,430 A	4/1995	Peters
5,171,280 A	12/1992	Baumgartner	5,410,016 A	4/1995	Hubbell et al.
5,176,651 A	1/1993	Allgood et al.	5,415,661 A	5/1995	Holmes
5,176,683 A	1/1993	Kimsey et al.	5,423,816 A	6/1995	Lin
5,176,692 A	1/1993	Wilk et al.	5,423,817 A	6/1995	Lin
5,176,697 A	1/1993	Hasson et al.	5,423,850 A	6/1995	Berger
5,178,501 A	1/1993	Carstairs	5,424,773 A	6/1995	Saito
5,183,052 A	2/1993	Terwilliger	5,425,773 A	6/1995	Boyd et al.
5,183,464 A	2/1993	Dubrul et al.	5,431,658 A	7/1995	Moskovich
5,188,118 A	2/1993	Terwilliger	5,441,538 A	8/1995	Bonutti
5,192,327 A	3/1993	Brantigan	5,443,514 A	8/1995	Steffee
5,195,506 A	3/1993	Hulfish	5,449,359 A	9/1995	Groiso
5,201,742 A	4/1993	Hasson	5,449,361 A	9/1995	Preissman
5,217,462 A	6/1993	Asnis et al.	5,452,748 A	9/1995	Simmons et al.
5,217,475 A	6/1993	Kuber	5,454,365 A	10/1995	Bonutti
5,217,486 A	6/1993	Rice et al.	5,454,790 A	10/1995	Dubrul
5,224,952 A	7/1993	Deniega et al.	5,454,815 A	10/1995	Geisser et al.
5,228,441 A	7/1993	Lundquist	5,454,827 A	10/1995	Aust et al.
5,234,431 A	8/1993	Keller	5,456,686 A	10/1995	Klapper et al.
5,241,972 A	9/1993	Bonati	5,458,641 A	10/1995	Ramirez Jimenez
5,242,410 A	9/1993	Melker	5,458,643 A	10/1995	Oka et al.
5,242,447 A	9/1993	Borzzone	5,462,563 A	10/1995	Shearer et al.
5,242,448 A	9/1993	Pettine et al.	5,464,427 A	11/1995	Curtis et al.
5,242,879 A	9/1993	Abe et al.	5,464,929 A	11/1995	Bezwada et al.
5,246,441 A	9/1993	Ross et al.	5,468,245 A	11/1995	Vargas, III
5,250,049 A	10/1993	Michael	5,470,333 A	11/1995	Ray
5,250,061 A	10/1993	Michelson	5,472,426 A	12/1995	Bonati et al.
			5,474,539 A	12/1995	Costa et al.
			5,480,400 A	1/1996	Berger
			5,484,437 A	1/1996	Michelson
			5,486,190 A	1/1996	Green

(56)

## References Cited

## U.S. PATENT DOCUMENTS

5,496,318 A	3/1996	Howland et al.	5,645,850 A	7/1997	Bezwada et al.
5,498,265 A	3/1996	Asnis et al.	5,647,857 A	7/1997	Anderson et al.
5,501,695 A	3/1996	Anspach et al.	5,648,088 A	7/1997	Bezwada et al.
5,505,710 A	4/1996	Dorsey, III	5,649,931 A	7/1997	Bryant et al.
5,507,816 A	4/1996	Bullivant	5,653,763 A	8/1997	Errico et al.
5,509,923 A	4/1996	Middleman et al.	5,658,335 A	8/1997	Allen
5,512,037 A	4/1996	Russell et al.	5,662,683 A	9/1997	Kay
5,514,143 A	5/1996	Bonutti et al.	5,665,095 A	9/1997	Jacobson et al.
5,514,153 A	5/1996	Bonutti	5,665,122 A	9/1997	Kambin
5,514,180 A	5/1996	Heggeness et al.	5,667,508 A	9/1997	Errico et al.
5,520,690 A	5/1996	Errico et al.	5,669,915 A	9/1997	Caspar et al.
5,520,896 A	5/1996	De et al.	5,669,926 A	9/1997	Aust et al.
5,522,398 A	6/1996	Goldenberg et al.	5,674,294 A	10/1997	Bainville et al.
5,522,790 A	6/1996	Moll et al.	5,674,295 A	10/1997	Ray et al.
5,522,846 A	6/1996	Bonutti	5,674,296 A	10/1997	Bryan et al.
5,522,895 A	6/1996	Mikos	5,676,701 A	10/1997	Yuan et al.
5,522,899 A	6/1996	Michelson	5,679,723 A	10/1997	Cooper et al.
5,527,312 A	6/1996	Ray	5,681,263 A	10/1997	Flesch
5,527,343 A	6/1996	Bonutti	5,683,465 A	11/1997	Shinn et al.
5,527,624 A	6/1996	Higgins et al.	5,693,100 A	12/1997	Pisharodi
5,531,856 A	7/1996	Moll et al.	5,695,513 A	12/1997	Johnson et al.
5,534,023 A	7/1996	Henley	5,697,977 A	12/1997	Pisharodi
5,534,029 A	7/1996	Shima	5,698,213 A	12/1997	Jamiolkowski et al.
5,534,030 A	7/1996	Navarro et al.	5,700,239 A	12/1997	Yoon
5,536,127 A	7/1996	Pennig	5,700,583 A	12/1997	Jamiolkowski et al.
5,538,009 A	7/1996	Byrne et al.	5,702,391 A	12/1997	Lin
5,540,688 A	7/1996	Navas	5,702,449 A	12/1997	McKay
5,540,693 A	7/1996	Fisher	5,702,450 A	12/1997	Bisserie
5,540,711 A	7/1996	Kieturakis et al.	5,702,453 A	12/1997	Rabbe et al.
5,545,164 A	8/1996	Howland	5,702,454 A	12/1997	Baumgartner
5,545,222 A	8/1996	Bonutti	5,707,359 A	1/1998	Bufalini
5,549,610 A	8/1996	Russell et al.	5,713,870 A	2/1998	Yoon
5,549,679 A	8/1996	Kuslich	5,713,903 A	2/1998	Sander et al.
5,554,191 A	9/1996	Lahille et al.	5,716,415 A	2/1998	Steffee
5,556,431 A	9/1996	Buttner-Janz	5,716,416 A	2/1998	Lin
5,558,674 A	9/1996	Heggeness et al.	5,720,753 A	2/1998	Sander et al.
D374,287 S	10/1996	Goble et al.	5,725,531 A	3/1998	Shapiro
5,562,736 A	10/1996	Ray et al.	5,725,541 A	3/1998	Anspach et al.
5,562,738 A	10/1996	Boyd et al.	5,725,588 A	3/1998	Errico et al.
5,564,926 A	10/1996	Braanemark	5,728,097 A	3/1998	Mathews
5,569,248 A	10/1996	Mathews	5,728,116 A	3/1998	Rosenman
5,569,251 A	10/1996	Baker et al.	5,735,853 A	4/1998	Olerud
5,569,290 A	10/1996	McAfee	5,741,253 A	4/1998	Michelson
5,569,548 A	10/1996	Koike et al.	5,741,282 A	4/1998	Anspach et al.
5,571,109 A	11/1996	Bertagnoli	5,743,881 A	4/1998	Demco
5,571,189 A	11/1996	Kuslich	5,743,912 A	4/1998	Lahille et al.
5,571,190 A	11/1996	Ulrich et al.	5,743,914 A	4/1998	Skiba
5,575,790 A	11/1996	Chen et al.	5,749,879 A	5/1998	Middleman et al.
5,591,168 A	1/1997	Judet et al.	5,749,889 A	5/1998	Bacich et al.
5,593,409 A	1/1997	Michelson	5,752,969 A	5/1998	Cunci et al.
5,595,751 A	1/1997	Bezwada et al.	5,755,797 A	5/1998	Baumgartner
5,597,579 A	1/1997	Bezwada et al.	5,755,798 A	5/1998	Papavero et al.
5,601,556 A	2/1997	Pisharodi	5,756,127 A	5/1998	Grisoni et al.
5,601,561 A	2/1997	Terry et al.	5,762,500 A	6/1998	Lazarof
5,601,572 A	2/1997	Middleman et al.	5,762,629 A	6/1998	Kambin
5,607,687 A	3/1997	Bezwada et al.	5,766,252 A	6/1998	Henry et al.
5,609,634 A	3/1997	Voydeville	5,772,661 A	6/1998	Michelson
5,609,635 A	3/1997	Michelson	5,772,662 A	6/1998	Chapman et al.
5,609,636 A	3/1997	Kohrs et al.	5,772,678 A	6/1998	Thomason et al.
5,613,950 A	3/1997	Yoon	5,776,156 A	7/1998	Shikhman
5,618,142 A	4/1997	Sonden et al.	5,782,800 A	7/1998	Yoon
5,618,314 A	4/1997	Harwin et al.	5,782,832 A	7/1998	Larsen et al.
5,618,552 A	4/1997	Bezwada et al.	5,782,865 A	7/1998	Grotz
5,620,698 A	4/1997	Bezwada et al.	5,788,703 A	8/1998	Mittelmeier et al.
5,624,447 A	4/1997	Myers	5,792,044 A	8/1998	Foley et al.
5,626,613 A	5/1997	Schmieding	5,797,909 A	8/1998	Michelson
5,628,751 A	5/1997	Sander et al.	5,800,549 A	9/1998	Bao et al.
5,628,752 A	5/1997	Asnis et al.	5,807,275 A	9/1998	Jamshidi
5,632,746 A	5/1997	Middleman et al.	5,807,327 A	9/1998	Green et al.
5,639,276 A	6/1997	Weinstock et al.	5,810,721 A	9/1998	Mueller et al.
5,643,320 A	7/1997	Lower et al.	5,810,821 A	9/1998	Vandewalle
5,645,589 A	7/1997	Li	5,810,866 A	9/1998	Yoon
5,645,596 A	7/1997	Kim et al.	5,814,084 A	9/1998	Grivas et al.
5,645,597 A	7/1997	Krapiva	5,820,628 A	10/1998	Middleman et al.
5,645,599 A	7/1997	Samani	5,823,979 A	10/1998	Mezo
			5,824,084 A	10/1998	Muschler
			5,824,093 A	10/1998	Ray et al.
			5,824,094 A	10/1998	Serhan et al.
			5,827,289 A	10/1998	Reiley et al.

(56)

## References Cited

## U.S. PATENT DOCUMENTS

5,833,657 A	11/1998	Reinhardt et al.	6,007,566 A	12/1999	Wenstrom, Jr.
5,836,948 A	11/1998	Zucherman et al.	6,007,580 A	12/1999	Lehto et al.
5,837,752 A	11/1998	Shastri et al.	6,010,508 A	1/2000	Bradley
5,846,259 A	12/1998	Berthiaume	6,010,513 A	1/2000	Toermaelae et al.
5,848,986 A	12/1998	Lundquist et al.	6,012,494 A	1/2000	Balazs
5,849,004 A	12/1998	Bramlet	6,015,410 A	1/2000	Toermaelae et al.
5,851,212 A	12/1998	Zirps et al.	6,015,436 A	1/2000	Schoenhoeffer
5,851,216 A	12/1998	Allen	6,019,762 A	2/2000	Cole
5,857,995 A	1/1999	Thomas et al.	6,019,792 A	2/2000	Cauthen
5,859,150 A	1/1999	Jamiolkowski et al.	6,019,793 A	2/2000	Perren et al.
5,860,973 A	1/1999	Michelson	6,022,350 A	2/2000	Ganem
5,860,977 A	1/1999	Zucherman et al.	6,022,352 A	2/2000	Vandewalle
5,865,846 A	2/1999	Bryan et al.	6,030,162 A	2/2000	Huebner
5,865,848 A	2/1999	Baker	6,030,364 A	2/2000	Durgin et al.
5,871,485 A	2/1999	Rao et al.	6,030,401 A	2/2000	Marino
5,873,854 A	2/1999	Wolvek	6,033,406 A	3/2000	Mathews
5,876,404 A	3/1999	Zucherman et al.	6,033,412 A	3/2000	Losken et al.
5,888,220 A	3/1999	Felt et al.	6,036,701 A	3/2000	Rosenman
5,888,221 A	3/1999	Gelbard	6,039,740 A	3/2000	Olerud
5,888,223 A	3/1999	Bray, Jr.	6,039,761 A	3/2000	Li
5,888,224 A	3/1999	Beckers et al.	6,039,763 A	3/2000	Shelokov
5,888,226 A	3/1999	Rogozinski	6,045,552 A	4/2000	Zucherman et al.
5,888,227 A	3/1999	Cottle	6,045,579 A	4/2000	Hochshuler
5,888,228 A	3/1999	Knothe et al.	6,048,309 A	4/2000	Flom et al.
5,893,850 A	4/1999	Cachia	6,048,342 A	4/2000	Zucherman et al.
5,893,889 A	4/1999	Harrington	6,048,346 A	4/2000	Reiley et al.
5,893,890 A	4/1999	Pisharodi	6,048,360 A	4/2000	Khosravi et al.
5,895,428 A	4/1999	Berry	6,049,026 A	4/2000	Muschler
5,902,231 A	5/1999	Foley et al.	6,053,922 A	4/2000	Krause et al.
5,904,690 A	5/1999	Middleman et al.	6,053,935 A	4/2000	Brenneman et al.
5,904,696 A	5/1999	Rosenman	6,056,763 A	5/2000	Parsons
5,908,422 A	6/1999	Bresina	6,063,121 A	5/2000	Xavier et al.
5,916,228 A	6/1999	Ripich et al.	6,066,142 A	5/2000	Serbousek et al.
5,916,267 A	6/1999	Tienboon	6,066,154 A	5/2000	Reiley et al.
5,919,235 A	7/1999	Husson et al.	6,066,175 A	5/2000	Henderson et al.
5,925,056 A	7/1999	Thomas et al.	6,068,630 A	5/2000	Zucherman et al.
5,925,074 A	7/1999	Gingras et al.	6,068,648 A	5/2000	Cole et al.
5,928,235 A	7/1999	Friedl	6,071,982 A	6/2000	Wise et al.
5,928,244 A	7/1999	Tovey et al.	6,073,051 A	6/2000	Sharkey et al.
5,931,870 A	8/1999	Cuckler et al.	6,074,390 A	6/2000	Zucherman et al.
5,935,129 A	8/1999	McDevitt et al.	6,080,155 A	6/2000	Michelson
5,947,999 A	9/1999	Groiso	6,080,158 A	6/2000	Lin
5,948,000 A	9/1999	Larsen et al.	6,080,193 A	6/2000	Hochschuler et al.
5,954,722 A	9/1999	Bono	6,083,225 A	7/2000	Winslow et al.
5,954,747 A	9/1999	Clark	6,083,244 A	7/2000	Lubbers et al.
5,957,902 A	9/1999	Teves	6,090,112 A	7/2000	Zucherman et al.
5,957,924 A	9/1999	Toermaelae et al.	6,090,143 A	7/2000	Meriwether et al.
5,961,554 A	10/1999	Janson et al.	6,096,038 A	8/2000	Michelson
5,964,730 A	10/1999	Williams et al.	6,096,080 A	8/2000	Nicholson et al.
5,964,761 A	10/1999	Kambin	6,099,531 A	8/2000	Bonutti
5,967,783 A	10/1999	Ura	6,102,914 A	8/2000	Bulstra et al.
5,967,970 A	10/1999	Cowan et al.	6,102,950 A	8/2000	Vaccaro
5,968,044 A	10/1999	Nicholson et al.	6,106,557 A	8/2000	Robioneck et al.
5,968,098 A	10/1999	Winslow	6,110,210 A	8/2000	Norton et al.
5,972,015 A	10/1999	Scribner et al.	6,113,624 A	9/2000	Bezwada et al.
5,972,385 A	10/1999	Liu et al.	6,113,637 A	9/2000	Gill et al.
5,976,139 A	11/1999	Bramlet	6,113,638 A	9/2000	Williams et al.
5,976,146 A	11/1999	Ogawa et al.	6,113,640 A	9/2000	Toermaelae et al.
5,976,186 A	11/1999	Bao et al.	6,117,174 A	9/2000	Nolan
5,976,187 A	11/1999	Richelsoph	6,119,044 A	9/2000	Kuzma
5,980,522 A	11/1999	Koros et al.	6,120,508 A	9/2000	Gruenig et al.
5,984,927 A	11/1999	Wenstrom et al.	6,123,705 A	9/2000	Michelson
5,984,966 A	11/1999	Kiema et al.	6,123,711 A	9/2000	Winters
5,985,307 A	11/1999	Hanson et al.	6,126,660 A	10/2000	Dietz
5,989,255 A	11/1999	Pepper et al.	6,126,661 A	10/2000	Faccioli et al.
5,989,291 A	11/1999	Ralph et al.	6,126,663 A	10/2000	Hair
5,993,459 A	11/1999	Larsen et al.	6,126,686 A	10/2000	Badylak et al.
5,997,510 A	12/1999	Schwemberger	6,126,689 A	10/2000	Brett
5,997,538 A	12/1999	Asnis et al.	6,127,597 A	10/2000	Beyar et al.
5,997,541 A	12/1999	Schenk	6,129,762 A	10/2000	Li
6,001,100 A	12/1999	Sherman et al.	6,129,763 A	10/2000	Chauvin et al.
6,001,101 A	12/1999	Augagneur et al.	6,132,435 A	10/2000	Young
6,004,327 A	12/1999	Asnis et al.	6,136,031 A	10/2000	Middleton
6,005,161 A	12/1999	Brekke	6,139,558 A	10/2000	Wagner
6,007,519 A	12/1999	Rosselli	6,139,579 A	10/2000	Steffee et al.
			6,146,384 A	11/2000	Lee et al.
			6,146,387 A	11/2000	Trott et al.
			6,146,420 A	11/2000	McKay
			6,146,421 A	11/2000	Gordon et al.

(56)

## References Cited

## U.S. PATENT DOCUMENTS

6,147,135	A	11/2000	Yuan et al.	6,287,313	B1	9/2001	Sasso
6,149,652	A	11/2000	Zucherman et al.	6,290,724	B1	9/2001	Marino
6,152,926	A	11/2000	Zucherman et al.	6,293,909	B1	9/2001	Chu et al.
6,156,038	A	12/2000	Zucherman et al.	6,293,952	B1	9/2001	Brosens et al.
6,159,179	A	12/2000	Simonson	D449,691	S	10/2001	Reiley et al.
6,159,211	A	12/2000	Boriani et al.	6,296,644	B1	10/2001	Saurat et al.
6,159,244	A	12/2000	Suddaby	6,296,647	B1	10/2001	Robioneck et al.
6,161,350	A	12/2000	Espinosa	6,302,914	B1	10/2001	Michelson
6,162,234	A	12/2000	Freedland et al.	6,306,136	B1	10/2001	Baccelli
6,162,236	A	12/2000	Osada	6,306,177	B1	10/2001	Felt et al.
6,162,252	A	12/2000	Kuras et al.	D450,676	S	11/2001	Huttner
6,165,218	A	12/2000	Husson et al.	6,312,443	B1	11/2001	Stone
6,165,486	A	12/2000	Marra et al.	6,319,254	B1	11/2001	Giet et al.
6,168,595	B1	1/2001	Durham et al.	6,319,272	B1	11/2001	Brenneman et al.
6,168,597	B1	1/2001	Biedermann et al.	6,331,312	B1	12/2001	Lee et al.
6,171,610	B1	1/2001	Vacanti et al.	6,332,882	B1	12/2001	Zucherman et al.
6,174,337	B1	1/2001	Keenan	6,332,883	B1	12/2001	Zucherman et al.
6,175,758	B1	1/2001	Kambin	6,332,894	B1	12/2001	Stalcup et al.
6,176,882	B1	1/2001	Biedermann et al. .. A61F 2/447 623/17.11	6,332,895	B1	12/2001	Suddaby
6,179,794	B1	1/2001	Burras	6,342,074	B1	1/2002	Simpson
6,179,873	B1	1/2001	Zientek	6,346,092	B1	2/2002	Leschinsky
6,183,471	B1	2/2001	Zucherman et al.	6,348,053	B1	2/2002	Cachia
6,183,472	B1	2/2001	Lutz	6,355,043	B1	3/2002	Adam
6,183,474	B1	2/2001	Bramlet et al.	6,361,537	B1	3/2002	Anderson
6,183,517	B1	2/2001	Suddaby	6,361,538	B1	3/2002	Fenaroli et al.
6,187,043	B1	2/2001	Ledergerber	6,361,557	B1	3/2002	Gittings et al.
6,187,048	B1	2/2001	Milner et al.	6,364,828	B1	4/2002	Yeung et al.
6,190,387	B1	2/2001	Zucherman et al.	6,364,897	B1	4/2002	Bonutti
6,190,414	B1	2/2001	Young et al.	6,368,325	B1	4/2002	McKinley et al.
6,193,757	B1	2/2001	Foley et al.	6,368,350	B1	4/2002	Erickson et al.
6,197,033	B1	3/2001	Haid et al.	6,368,351	B1	4/2002	Glenn
6,197,041	B1	3/2001	Shichman et al.	6,371,971	B1	4/2002	Tsugita et al.
6,197,065	B1	3/2001	Martin et al.	6,371,989	B1	4/2002	Chauvin et al.
6,197,325	B1	3/2001	MacPhee et al.	6,375,681	B1	4/2002	Truscott
6,200,322	B1	3/2001	Branch et al.	6,375,682	B1	4/2002	Fleischmann et al.
6,203,565	B1	3/2001	Bonutti et al.	6,375,683	B1	4/2002	Crozet et al.
6,206,826	B1	3/2001	Mathews et al.	6,379,355	B1	4/2002	Zucherman et al.
6,206,922	B1	3/2001	Zdeblick et al.	6,379,363	B1	4/2002	Herrington et al.
D439,980	S	4/2001	Reiley et al.	6,387,130	B1	5/2002	Stone
6,213,957	B1	4/2001	Milliman et al.	6,398,793	B1	6/2002	McGuire
6,214,368	B1	4/2001	Lee et al.	6,402,750	B1	6/2002	Atkinson et al.
6,217,509	B1	4/2001	Foley et al.	6,409,766	B1	6/2002	Brett
6,217,579	B1	4/2001	Koros	6,409,767	B1	6/2002	Perice et al.
6,221,082	B1	4/2001	Marino et al.	6,413,278	B1	7/2002	Marchosky
6,224,603	B1	5/2001	Marino	6,416,551	B1	7/2002	Keller
6,224,631	B1	5/2001	Kohrs	6,419,641	B1	7/2002	Mark et al.
6,224,894	B1	5/2001	Jamiolkowski et al.	6,419,676	B1	7/2002	Zucherman et al.
6,228,058	B1	5/2001	Dennis et al.	6,419,677	B2	7/2002	Zucherman et al.
6,231,606	B1	5/2001	Graf et al.	6,419,704	B1	7/2002	Ferree
6,235,030	B1	5/2001	Zucherman et al.	6,419,705	B1	7/2002	Erickson
6,235,043	B1	5/2001	Reiley et al.	6,419,706	B1	7/2002	Graf
6,238,397	B1	5/2001	Zucherman et al.	6,423,061	B1	7/2002	Bryant
6,238,491	B1	5/2001	Davidson et al.	6,423,067	B1	7/2002	Eisermann
6,241,733	B1	6/2001	Nicholson et al.	6,423,071	B1	7/2002	Lawson
6,241,734	B1	6/2001	Scribner et al.	6,423,083	B2	7/2002	Reiley et al.
6,241,769	B1	6/2001	Nicholson et al.	6,423,089	B1	7/2002	Gingras et al.
6,245,107	B1	6/2001	Ferree	6,425,887	B1	7/2002	McGuckin et al.
6,248,108	B1	6/2001	Toermaelae et al.	6,425,919	B1	7/2002	Lambrecht
6,248,110	B1	6/2001	Reiley et al.	6,425,920	B1	7/2002	Hamada
6,248,131	B1	6/2001	Felt et al.	6,428,541	B1	8/2002	Boyd et al.
6,251,111	B1	6/2001	Barker et al.	6,428,556	B1	8/2002	Chin
6,251,140	B1	6/2001	Marino et al.	6,436,101	B1	8/2002	Hamada
6,258,093	B1	7/2001	Edwards et al.	6,436,140	B1	8/2002	Liu et al.
6,261,289	B1	7/2001	Levy	6,436,143	B1	8/2002	Ross et al.
6,264,676	B1	7/2001	Gellman et al.	6,440,138	B1	8/2002	Reiley et al.
6,264,695	B1	7/2001	Stoy	6,440,154	B2	8/2002	Gellman et al.
6,267,763	B1	7/2001	Castro	6,440,169	B1	8/2002	Elberg et al.
6,267,765	B1	7/2001	Taylor et al.	6,443,989	B1	9/2002	Jackson
6,267,767	B1	7/2001	Strobel et al.	6,447,518	B1	9/2002	Krause et al.
6,277,149	B1	8/2001	Boyle et al.	6,447,527	B1	9/2002	Thompson et al.
6,280,444	B1	8/2001	Zucherman et al.	6,447,540	B1	9/2002	Fontaine et al.
6,280,456	B1	8/2001	Scribner et al.	6,450,989	B2	9/2002	Dubrul et al.
6,280,474	B1	8/2001	Cassidy et al.	6,451,019	B1	9/2002	Zucherman et al.
6,280,475	B1	8/2001	Bao et al.	6,451,020	B1	9/2002	Zucherman et al.
				6,454,806	B1	9/2002	Cohen et al.
				6,454,807	B1	9/2002	Jackson
				6,458,134	B1	10/2002	Songer et al.
				6,461,359	B1	10/2002	Tribus et al.
				6,468,277	B1	10/2002	Justin et al.

(56)

## References Cited

## U.S. PATENT DOCUMENTS

6,468,279 B1	10/2002	Reo	6,582,467 B1	6/2003	Teitelbaum et al.
6,468,309 B1	10/2002	Lieberman	6,582,468 B1	6/2003	Gauchet
6,468,310 B1	10/2002	Ralph et al.	6,585,730 B1	7/2003	Foerster
6,471,724 B2	10/2002	Zdeblick et al.	6,585,740 B2	7/2003	Schlapfer et al.
6,475,226 B1	11/2002	Belef et al.	6,589,240 B2	7/2003	Hinchliffe
6,478,029 B1	11/2002	Boyd et al.	6,589,249 B2	7/2003	Sater et al.
6,478,796 B2	11/2002	Zucherman et al.	6,592,553 B2	7/2003	Zhang et al.
6,478,805 B1	11/2002	Marino et al.	6,592,624 B1	7/2003	Fraser et al.
6,482,235 B1	11/2002	Lambrecht et al.	6,592,625 B2	7/2003	Cauthen
6,485,491 B1	11/2002	Farris et al.	6,595,998 B2	7/2003	Johnson et al.
6,485,518 B1	11/2002	Cornwall et al.	6,596,008 B1	7/2003	Kambin
D467,657 S	12/2002	Scribner	6,599,294 B2	7/2003	Fuss et al.
6,488,693 B2	12/2002	Gannoe et al.	6,599,297 B1	7/2003	Carlsson et al.
6,488,710 B2	12/2002	Besselink	6,602,293 B1	8/2003	Biermann et al.
6,489,309 B1	12/2002	Singh et al.	6,607,530 B1	8/2003	Carl et al.
6,491,626 B1	12/2002	Stone et al.	6,607,544 B1	8/2003	Boucher et al.
6,491,695 B1	12/2002	Roggenbuck	6,607,558 B2	8/2003	Kuras
6,491,714 B1	12/2002	Bennett	6,610,066 B2	8/2003	Dinger et al.
6,491,724 B1	12/2002	Ferree	6,610,091 B1	8/2003	Reiley
6,494,860 B2	12/2002	Rocamora et al.	6,610,094 B2	8/2003	Husson
6,494,883 B1	12/2002	Ferree	6,613,050 B1	9/2003	Wagner et al.
6,494,893 B2	12/2002	Dubrul et al.	6,613,054 B2	9/2003	Scribner et al.
6,498,421 B1	12/2002	Oh et al.	6,616,678 B2	9/2003	Nishtala et al.
6,500,178 B2	12/2002	Zucherman et al.	6,620,196 B1	9/2003	Trieu
6,500,205 B1	12/2002	Michelson	6,623,505 B2	9/2003	Scribner et al.
6,506,192 B1	1/2003	Gertzman et al.	6,626,943 B2	9/2003	Eberlein et al.
6,508,839 B1	1/2003	Lambrecht et al.	6,626,944 B1	9/2003	Taylor
6,511,471 B2	1/2003	Rosenman et al.	6,629,998 B1	10/2003	Lin
6,511,481 B2	1/2003	Von et al.	6,632,224 B2	10/2003	Cachia et al.
6,512,958 B1	1/2003	Swoyer et al.	6,632,235 B2	10/2003	Weikel et al.
D469,871 S	2/2003	Sand	6,635,059 B2	10/2003	Randall et al.
6,514,256 B2	2/2003	Zucherman et al.	6,635,060 B2	10/2003	Hanson et al.
6,517,543 B1	2/2003	Berrepoets et al.	6,635,362 B2	10/2003	Zheng
6,517,580 B1	2/2003	Ramadan et al.	RE38,335 E	11/2003	Aust et al.
6,520,907 B1	2/2003	Foley et al.	D482,787 S	11/2003	Reiss
6,520,991 B2	2/2003	Huene	6,641,564 B1	11/2003	Kraus
D472,323 S	3/2003	Sand	6,641,582 B1	11/2003	Hanson et al.
6,527,774 B2	3/2003	Lieberman	6,641,587 B2	11/2003	Scribner et al.
6,527,803 B1	3/2003	Crozet et al.	6,641,614 B1	11/2003	Wagner et al.
6,527,804 B1	3/2003	Gauchet et al.	6,645,213 B2	11/2003	Sand et al.
6,530,930 B1	3/2003	Marino et al.	6,645,248 B2	11/2003	Casutt
6,533,791 B1	3/2003	Betz et al.	6,648,890 B2	11/2003	Culbert et al.
6,533,797 B1	3/2003	Stone et al.	6,648,893 B2	11/2003	Dudasik
6,533,818 B1	3/2003	Weber et al.	6,648,917 B2	11/2003	Gerbec et al.
6,540,747 B1	4/2003	Marino	6,652,527 B2	11/2003	Zucherman et al.
6,544,265 B2	4/2003	Lieberman	6,652,592 B1	11/2003	Grooms et al.
6,547,793 B1	4/2003	McGuire	D483,495 S	12/2003	Sand
6,547,795 B2	4/2003	Schneiderman	6,655,962 B1	12/2003	Kennard
6,547,823 B2	4/2003	Scarborough et al.	6,656,178 B1	12/2003	Veldhuizen et al.
6,551,319 B2	4/2003	Lieberman	6,656,180 B2	12/2003	Stahurski
6,551,322 B1	4/2003	Lieberman	6,660,004 B2	12/2003	Barker et al.
6,554,831 B1	4/2003	Rivard et al.	6,660,037 B1	12/2003	Husson et al.
6,554,833 B2	4/2003	Levy et al.	6,663,647 B2	12/2003	Reiley et al.
6,554,852 B1	4/2003	Oberlander	6,666,890 B2	12/2003	Michelson
6,558,389 B2	5/2003	Clark et al.	6,666,891 B2	12/2003	Boehm et al.
6,558,390 B2	5/2003	Cragg	6,669,698 B1	12/2003	Tromanhauser et al.
6,558,424 B2	5/2003	Thalgott	6,669,729 B2	12/2003	Chin
6,562,046 B2	5/2003	Sasso	6,669,732 B2	12/2003	Serhan et al.
6,562,049 B1	5/2003	Norlander et al.	6,673,074 B2	1/2004	Shluzas
6,562,072 B1	5/2003	Fuss et al.	6,676,663 B2	1/2004	Higuera et al.
6,562,074 B2	5/2003	Gerbec et al.	6,676,664 B1	1/2004	Al-Assir
6,575,919 B1	6/2003	Reiley et al.	6,676,665 B2	1/2004	Foley et al.
6,575,979 B1	6/2003	Cragg	6,679,833 B2	1/2004	Smith et al.
6,576,016 B1	6/2003	Hochshuler et al.	6,679,915 B1	1/2004	Cauthen
6,579,291 B1	6/2003	Keith et al.	6,682,535 B2	1/2004	Hoogland
6,579,293 B1	6/2003	Chandran	6,682,561 B2	1/2004	Songer et al.
6,579,320 B1	6/2003	Gauchet et al.	6,682,562 B2	1/2004	Viart et al.
6,579,321 B1	6/2003	Gordon et al.	6,685,706 B2	2/2004	Padget et al.
6,582,390 B1	6/2003	Sanderson	6,685,742 B1	2/2004	Jackson
6,582,431 B1	6/2003	Ray	6,689,125 B1	2/2004	Keith et al.
6,582,433 B2	6/2003	Yun	6,689,152 B2	2/2004	Balceta et al.
6,582,437 B2	6/2003	Dorchak et al.	6,689,168 B2	2/2004	Lieberman
6,582,441 B1	6/2003	He et al.	6,692,499 B2	2/2004	Toermaelae et al.
6,582,453 B1	6/2003	Tran et al.	6,692,563 B2	2/2004	Zimmermann
6,582,466 B1	6/2003	Gauchet	6,695,842 B2	2/2004	Zucherman et al.
			6,695,851 B2	2/2004	Zdeblick et al.
			6,699,246 B2	3/2004	Zucherman et al.
			6,699,247 B2	3/2004	Zucherman et al.
			6,706,070 B1	3/2004	Wagner et al.

(56)

## References Cited

## U.S. PATENT DOCUMENTS

6,709,458 B2	3/2004	Michelson	6,866,682 B1	3/2005	An et al.
6,712,819 B2	3/2004	Zucherman et al.	6,875,215 B2	4/2005	Taras et al.
6,716,216 B1	4/2004	Boucher et al.	6,878,167 B2	4/2005	Ferree
6,716,247 B2	4/2004	Michelson	6,881,228 B2	4/2005	Zdeblick et al.
6,716,957 B2	4/2004	Tunc	6,881,229 B2	4/2005	Khandkar et al.
6,719,760 B2	4/2004	Dorchak et al.	6,883,520 B2	4/2005	Lambrecht et al.
6,719,761 B1	4/2004	Reiley et al.	6,887,243 B2	5/2005	Culbert
6,719,773 B1	4/2004	Boucher et al.	6,887,248 B2	5/2005	McKinley et al.
6,719,796 B2	4/2004	Cohen et al.	6,890,333 B2	5/2005	Von et al.
6,723,096 B1	4/2004	Dorchak et al.	6,893,464 B2	5/2005	Kiester
6,723,126 B1	4/2004	Berry	6,893,466 B2	5/2005	Trieu
6,723,127 B2	4/2004	Ralph et al.	6,899,716 B2	5/2005	Cragg
6,723,128 B2	4/2004	Uk	6,899,719 B2	5/2005	Reiley et al.
6,726,691 B2	4/2004	Osorio et al.	6,899,735 B2	5/2005	Coates et al.
D490,159 S	5/2004	Sand	D506,828 S	6/2005	Layne et al.
6,730,126 B2	5/2004	Boehm et al.	6,902,566 B2	6/2005	Zucherman et al.
6,733,093 B2	5/2004	Deland et al.	6,905,512 B2	6/2005	Paes et al.
6,733,460 B2	5/2004	Ogura	6,908,465 B2	6/2005	Von et al.
6,733,532 B1	5/2004	Gauchet et al.	6,908,506 B2	6/2005	Zimmermann
6,733,534 B2	5/2004	Sherman	6,916,323 B2	7/2005	Kitchens
6,733,535 B2	5/2004	Michelson	6,921,403 B2	7/2005	Cragg et al.
6,733,635 B1	5/2004	Ozawa et al.	6,923,810 B1	8/2005	Michelson
6,740,090 B1	5/2004	Cragg et al.	6,923,811 B1	8/2005	Carl et al.
6,740,093 B2	5/2004	Hochschuler et al.	6,923,813 B2	8/2005	Phillips et al.
6,740,117 B2	5/2004	Ralph et al.	6,923,814 B1	8/2005	Hildebrand et al.
D492,032 S	6/2004	Muller et al.	6,929,606 B2	8/2005	Ritland
6,743,166 B2	6/2004	Berci et al.	6,929,647 B2	8/2005	Cohen
6,743,255 B2	6/2004	Ferree	6,936,071 B1	8/2005	Marnay et al.
6,746,451 B2	6/2004	Middleton et al.	6,936,072 B2	8/2005	Lambrecht et al.
6,749,560 B1	6/2004	Konstorum et al.	6,942,668 B2	9/2005	Padget et al.
6,752,831 B2	6/2004	Sybert et al.	6,945,973 B2	9/2005	Bray
6,755,837 B2	6/2004	Ebner	6,945,975 B2	9/2005	Dalton
6,755,841 B2	6/2004	Fraser et al.	6,946,000 B2	9/2005	Senegas et al.
D492,775 S	7/2004	Doelling et al.	6,949,100 B1	9/2005	Venturini
D493,533 S	7/2004	Blain	6,949,108 B2	9/2005	Holmes
6,758,673 B2	7/2004	Fromovich et al.	6,951,561 B2	10/2005	Warren et al.
6,758,847 B2	7/2004	Maguire	6,952,129 B2	10/2005	Lin et al.
6,758,861 B2	7/2004	Ralph et al.	6,953,477 B2	10/2005	Berry
6,758,862 B2	7/2004	Berry et al.	6,955,691 B2	10/2005	Chae et al.
6,761,720 B1	7/2004	Senegas	6,962,606 B2	11/2005	Michelson
6,764,491 B2	7/2004	Frey et al.	6,964,674 B1	11/2005	Matsuura et al.
6,764,514 B1	7/2004	Li et al.	6,964,686 B2	11/2005	Gordon
D495,417 S	8/2004	Doelling et al.	6,966,910 B2	11/2005	Ritland
6,770,075 B2	8/2004	Howland	6,966,912 B2	11/2005	Michelson
6,773,460 B2	8/2004	Jackson	6,969,404 B2	11/2005	Ferree
6,780,151 B2	8/2004	Grabover et al.	6,969,405 B2	11/2005	Suddaby
6,783,530 B1	8/2004	Levy	D512,506 S	12/2005	Layne et al.
6,790,210 B1	9/2004	Cragg et al.	6,972,035 B2	12/2005	Michelson
6,793,656 B1	9/2004	Mathews	6,974,479 B2	12/2005	Trieu
6,793,678 B2	9/2004	Hawkins	6,979,341 B2	12/2005	Scribner et al.
6,793,679 B2	9/2004	Michelson	6,979,352 B2	12/2005	Reynolds
6,796,983 B1	9/2004	Zucherman et al.	6,979,353 B2	12/2005	Bresina
6,805,685 B2	10/2004	Taylor	6,981,981 B2	1/2006	Reiley et al.
6,805,695 B2	10/2004	Keith et al.	6,997,929 B2	2/2006	Manzi et al.
6,805,697 B1	10/2004	Helm et al.	7,004,945 B2	2/2006	Boyd et al.
6,805,714 B2	10/2004	Sutcliffe	7,004,971 B2	2/2006	Serhan et al.
6,808,526 B1	10/2004	Magerl et al.	7,008,431 B2	3/2006	Simonson
6,808,537 B2	10/2004	Michelson	7,008,453 B1	3/2006	Michelson
6,814,736 B2	11/2004	Reiley et al.	7,014,633 B2	3/2006	Cragg
6,814,756 B1	11/2004	Michelson	7,018,089 B2	3/2006	Wenz et al.
6,821,298 B1	11/2004	Jackson	7,018,412 B2	3/2006	Ferreira et al.
6,824,565 B2	11/2004	Muhanna	7,018,415 B1	3/2006	McKay
6,830,589 B2	12/2004	Erickson	7,018,416 B2	3/2006	Hanson et al.
6,835,205 B2	12/2004	Atkinson et al.	7,018,453 B2	3/2006	Klein et al.
6,835,206 B2	12/2004	Jackson	7,022,138 B2	4/2006	Mashburn
6,835,208 B2	12/2004	Marchosky	7,025,746 B2	4/2006	Tal
6,840,941 B2	1/2005	Rogers et al.	7,025,787 B2	4/2006	Bryan et al.
6,840,944 B2	1/2005	Suddaby	7,029,473 B2	4/2006	Zucherman et al.
6,852,126 B2	2/2005	Ahlgren	7,029,498 B2	4/2006	Boehm et al.
6,852,127 B2	2/2005	Varga et al.	7,037,339 B2	5/2006	Houfburg et al.
6,852,129 B2	2/2005	Gerbec et al.	7,041,107 B2	5/2006	Pohjonen et al.
6,855,167 B2	2/2005	Shimp	7,044,954 B2	5/2006	Reiley et al.
6,863,668 B2	3/2005	Gillespie et al.	7,048,694 B2	5/2006	Mark et al.
6,863,672 B2	3/2005	Reiley et al.	7,048,736 B2	5/2006	Robinson et al.
6,863,673 B2	3/2005	Gerbec et al.	7,060,068 B2	6/2006	Tromanhauser et al.
			7,060,073 B2	6/2006	Frey et al.
			7,063,701 B2	6/2006	Michelson
			7,063,702 B2	6/2006	Michelson
			7,063,703 B2	6/2006	Reo



(56)

## References Cited

## U.S. PATENT DOCUMENTS

7,063,725 B2	6/2006	Foley	7,316,714 B2	1/2008	Gordon et al.
7,066,960 B1	6/2006	Dickman	7,318,840 B2	1/2008	McKay
7,066,961 B2	6/2006	Michelson	7,320,689 B2	1/2008	Keller
7,069,087 B2	6/2006	Sharkey et al.	7,320,708 B1	1/2008	Bernstein
7,070,598 B2	7/2006	Lim et al.	7,322,962 B2	1/2008	Forrest
7,070,601 B2	7/2006	Culbert et al.	7,326,211 B2	2/2008	Padget et al.
7,074,203 B1	7/2006	Johanson et al.	7,326,248 B2	2/2008	Michelson
7,074,226 B2	7/2006	Roehm et al.	7,335,203 B2	2/2008	Winslow et al.
7,081,120 B2	7/2006	Li et al.	7,351,262 B2	4/2008	Bindseil et al.
7,081,122 B1	7/2006	Reiley et al.	7,361,140 B2	4/2008	Ries et al.
7,083,650 B2	8/2006	Moskowitz et al.	7,371,238 B2	5/2008	Soboleski et al.
7,087,053 B2	8/2006	Vanney	7,377,942 B2	5/2008	Berry
7,087,055 B2	8/2006	Lim et al.	7,383,639 B2	6/2008	Malandain
7,087,083 B2	8/2006	Pasquet et al.	7,400,930 B2	7/2008	Sharkey et al.
7,089,063 B2	8/2006	Lesh et al.	7,410,501 B2	8/2008	Michelson
7,094,239 B1	8/2006	Michelson	7,413,576 B2	8/2008	Sybert et al.
7,094,257 B2	8/2006	Mujwid et al.	7,422,594 B2	9/2008	Zander
7,094,258 B2	8/2006	Lambrecht et al.	7,434,325 B2	10/2008	Foley et al.
7,101,375 B2	9/2006	Zucherman et al.	7,442,211 B2	10/2008	De et al.
7,114,501 B2	10/2006	Johnson et al.	7,445,636 B2	11/2008	Michelson
7,115,128 B2	10/2006	Michelson	7,445,637 B2	11/2008	Taylor
7,115,163 B2	10/2006	Zimmermann	7,470,273 B2	12/2008	Dougherty-Shah
7,118,572 B2	10/2006	Bramlet et al.	D584,812 S	1/2009	Ries
7,118,579 B2	10/2006	Michelson	7,473,256 B2	1/2009	Assell et al.
7,118,580 B1	10/2006	Beyersdorff et al.	7,473,268 B2	1/2009	Zucherman et al.
7,118,598 B2	10/2006	Michelson	7,476,251 B2	1/2009	Zucherman et al.
7,124,761 B2	10/2006	Lambrecht et al.	7,485,134 B2	2/2009	Simonson
7,125,424 B2	10/2006	Banick et al.	7,488,326 B2	2/2009	Elliott
7,128,760 B2	10/2006	Michelson	7,491,237 B2	2/2009	Randall et al.
7,135,424 B2	11/2006	Worley et al.	7,500,991 B2	3/2009	Bartish et al.
7,153,304 B2	12/2006	Robie et al.	7,503,920 B2	3/2009	Siegal
7,153,305 B2	12/2006	Johnson et al.	7,503,933 B2	3/2009	Michelson
7,153,306 B2	12/2006	Ralph et al.	7,507,241 B2	3/2009	Levy et al.
7,153,307 B2	12/2006	Scribner et al.	7,517,363 B2	4/2009	Rogers
D536,096 S	1/2007	Hoogland et al.	7,520,888 B2	4/2009	Trieu
7,156,874 B2	1/2007	Paponneau et al.	7,547,317 B2	6/2009	Cragg
7,156,875 B2	1/2007	Michelson	7,556,629 B2	7/2009	Von et al.
7,156,876 B2	1/2007	Moumene et al.	7,556,651 B2	7/2009	Humphreys et al.
7,156,877 B2	1/2007	Lotz et al.	7,569,054 B2	8/2009	Michelson
7,163,558 B2	1/2007	Senegas et al.	7,569,074 B2	8/2009	Eisermann et al.
7,166,107 B2	1/2007	Anderson	7,572,279 B2	8/2009	Jackson
7,172,612 B2	2/2007	Ishikawa	7,575,580 B2	8/2009	Lim et al.
7,179,293 B2	2/2007	McKay	7,575,599 B2	8/2009	Villiers et al.
7,179,294 B2	2/2007	Eisermann et al.	7,578,820 B2	8/2009	Moore et al.
7,189,242 B2	3/2007	Boyd et al.	7,588,574 B2	9/2009	Assell et al.
7,201,751 B2	4/2007	Zucherman et al.	7,601,173 B2	10/2009	Messerli et al.
7,204,851 B2	4/2007	Trieu et al.	7,608,083 B2	10/2009	Lee et al.
7,207,991 B2	4/2007	Michelson	7,618,458 B2	11/2009	Biedermann et al.
7,211,112 B2	5/2007	Baynham et al.	7,621,950 B1	11/2009	Globerman et al.
7,214,227 B2	5/2007	Colleran et al.	7,621,960 B2	11/2009	Boyd et al.
7,217,291 B2	5/2007	Zucherman et al.	7,625,377 B2	12/2009	Veldhuizen et al.
7,217,293 B2	5/2007	Branch	7,625,378 B2	12/2009	Foley
7,220,280 B2	5/2007	Kast et al.	7,625,394 B2	12/2009	Molz et al.
7,220,281 B2	5/2007	Lambrecht et al.	7,637,905 B2	12/2009	Saadat et al.
7,223,227 B2	5/2007	Pflueger	7,641,657 B2	1/2010	Cragg
7,223,292 B2	5/2007	Messerli et al.	7,641,670 B2	1/2010	Davison et al.
7,226,481 B2	6/2007	Kuslich	7,641,692 B2	1/2010	Bryan et al.
7,226,482 B2	6/2007	Messerli et al.	7,647,123 B2	1/2010	Sharkey et al.
7,226,483 B2	6/2007	Gerber et al.	7,648,523 B2	1/2010	Mirkovic et al.
7,235,101 B2	6/2007	Berry et al.	7,655,010 B2	2/2010	Serhan et al.
7,238,204 B2	7/2007	Le et al.	7,666,186 B2	2/2010	Harp
7,241,297 B2	7/2007	Shaolian et al.	7,666,266 B2	2/2010	Izawa et al.
7,244,273 B2	7/2007	Pedersen et al.	7,670,354 B2	3/2010	Davison et al.
7,250,060 B2	7/2007	Trieu	7,670,374 B2	3/2010	Schaller
7,252,671 B2	8/2007	Scribner et al.	7,674,265 B2	3/2010	Smith et al.
7,267,683 B2	9/2007	Sharkey et al.	7,674,273 B2	3/2010	Davison et al.
7,267,687 B2	9/2007	McGuckin, Jr.	7,682,370 B2	3/2010	Pagliuca et al.
7,270,679 B2	9/2007	Istephanous et al.	7,682,400 B2	3/2010	Zwirkoski
7,276,062 B2	10/2007	McDaniel et al.	7,691,120 B2	4/2010	Shluzas et al.
7,282,061 B2	10/2007	Sharkey et al.	7,691,147 B2	4/2010	Gutlin et al.
7,291,173 B2	11/2007	Richelsoph et al.	7,699,878 B2	4/2010	Pavlov et al.
7,300,440 B2	11/2007	Zdeblick	7,703,727 B2	4/2010	Selness
7,306,628 B2	12/2007	Zucherman et al.	7,704,280 B2	4/2010	Lechmann et al.
7,309,357 B2	12/2007	Kim	7,717,944 B2	5/2010	Foley et al.
7,311,713 B2	12/2007	Johnson et al.	7,722,530 B2	5/2010	Davison
			7,722,612 B2	5/2010	Sala et al.
			7,722,674 B1	5/2010	Grotz
			7,727,263 B2	6/2010	Cragg
			7,731,751 B2	6/2010	Butler et al.

(56)

## References Cited

## U.S. PATENT DOCUMENTS

7,740,633 B2	6/2010	Assell et al.	8,034,109 B2	10/2011	Zwirkoski
7,744,599 B2	6/2010	Cragg	8,034,110 B2	10/2011	Garner et al.
7,744,650 B2	6/2010	Lindner et al.	8,038,703 B2	10/2011	Dobak et al.
7,749,270 B2	7/2010	Peterman	8,043,293 B2	10/2011	Warnick
7,762,995 B2	7/2010	Eversull et al.	8,043,381 B2	10/2011	Hestad et al.
7,763,025 B2	7/2010	Ainsworth	8,052,754 B2	11/2011	Froehlich
7,763,028 B2	7/2010	Lim et al.	8,057,544 B2	11/2011	Schaller
7,763,038 B2	7/2010	O'Brien	8,057,545 B2	11/2011	Hughes et al.
7,763,055 B2	7/2010	Foley	8,062,375 B2	11/2011	Glerum et al.
7,766,930 B2	8/2010	DiPoto et al.	8,070,815 B2	12/2011	Yu et al.
7,771,473 B2	8/2010	Thramann	8,075,621 B2	12/2011	Michelson
7,771,479 B2	8/2010	Humphreys et al.	8,097,036 B2	1/2012	Cordaro et al.
7,785,368 B2	8/2010	Schaller	8,100,978 B2	1/2012	Bass
7,789,914 B2	9/2010	Michelson	8,105,382 B2	1/2012	Olmos et al. .... A61F 2/46 623/17.15
7,794,463 B2	9/2010	Cragg	8,109,972 B2	2/2012	Zucherman et al.
7,799,032 B2	9/2010	Assell et al.	8,109,977 B2	2/2012	Culbert et al.
7,799,033 B2	9/2010	Assell et al.	8,114,088 B2	2/2012	Miller
7,799,036 B2	9/2010	Davison et al.	8,118,871 B2	2/2012	Gordon
7,799,080 B2	9/2010	Doty	8,128,700 B2	3/2012	Delurio et al.
7,799,081 B2	9/2010	McKinley	8,128,702 B2	3/2012	Zucherman et al.
7,799,083 B2	9/2010	Smith et al.	8,133,232 B2	3/2012	Levy et al.
7,803,161 B2	9/2010	Foley et al.	8,147,549 B2	4/2012	Metcalf et al.
D626,233 S	10/2010	Cipoletti et al.	8,177,812 B2	5/2012	Sankaran
7,814,429 B2	10/2010	Buffet et al.	8,187,327 B2	5/2012	Eddidin et al.
7,819,921 B2	10/2010	Grotz	8,192,495 B2	6/2012	Simpson et al.
7,824,410 B2	11/2010	Simonson et al.	8,202,322 B2	6/2012	Doty
7,824,429 B2	11/2010	Culbert et al.	8,206,423 B2	6/2012	Siegal
7,824,445 B2	11/2010	Biro et al.	8,216,312 B2	7/2012	Gray
7,828,807 B2	11/2010	LeHuec et al.	8,216,314 B2	7/2012	Richelsoph
7,837,734 B2	11/2010	Zucherman et al.	8,216,317 B2	7/2012	Thibodeau
7,846,183 B2	12/2010	Blain	8,221,501 B2	7/2012	Eisermann et al.
7,846,206 B2	12/2010	Oglaza et al.	8,221,502 B2	7/2012	Branch
7,850,695 B2	12/2010	Pagliuca et al.	8,221,503 B2	7/2012	Garcia et al.
7,850,733 B2	12/2010	Baynham et al.	8,231,675 B2	7/2012	Rhoda
7,854,766 B2	12/2010	Moskowitz et al.	8,231,681 B2	7/2012	Castleman et al.
7,857,832 B2	12/2010	Culbert et al.	8,236,029 B2	8/2012	Siegal
7,857,840 B2	12/2010	Krebs	8,236,058 B2	8/2012	Fabian et al.
7,862,590 B2	1/2011	Lim et al.	8,241,328 B2	8/2012	Siegal
7,862,595 B2	1/2011	Foley et al.	8,241,358 B2	8/2012	Butler et al.
7,867,259 B2	1/2011	Foley et al.	8,241,361 B2	8/2012	Link
7,874,980 B2	1/2011	Sonnenschein et al.	8,241,364 B2	8/2012	Hansell et al.
7,875,077 B2	1/2011	Humphreys et al.	8,246,622 B2	8/2012	Siegal et al.
7,879,098 B1	2/2011	Simmons	8,257,440 B2	9/2012	Gordon et al.
7,887,589 B2	2/2011	Glenn et al.	8,257,442 B2	9/2012	Edie et al.
7,892,171 B2	2/2011	Davison et al.	8,262,666 B2	9/2012	Baynham et al.
7,892,249 B2	2/2011	Davison et al.	8,262,736 B2	9/2012	Michelson
7,901,438 B2	3/2011	Culbert et al.	8,267,939 B2	9/2012	Cipoletti et al.
7,901,459 B2	3/2011	Hodges et al.	8,267,965 B2	9/2012	Gimbel et al.
7,909,870 B2	3/2011	Kraus	8,273,128 B2	9/2012	Oh et al.
7,909,874 B2	3/2011	Zielinski	8,273,129 B2	9/2012	Baynham et al.
7,918,874 B2	4/2011	Siegal	8,287,599 B2	10/2012	McGuckin
7,922,719 B2	4/2011	Ralph et al.	8,292,959 B2	10/2012	Webb et al.
7,922,729 B2	4/2011	Michelson	8,303,663 B2	11/2012	Jimenez et al.
7,927,373 B2	4/2011	Parsons et al.	8,313,528 B1	11/2012	Wensel
7,931,674 B2	4/2011	Zucherman et al.	8,317,866 B2	11/2012	Palmatier et al.
7,931,689 B2	4/2011	Hochschuler et al.	8,323,345 B2	12/2012	Sledge
7,935,051 B2	5/2011	Miles et al.	8,328,812 B2	12/2012	Siegal et al.
7,938,832 B2	5/2011	Culbert et al.	8,328,852 B2	12/2012	Zehavi et al.
7,942,903 B2	5/2011	Moskowitz et al.	8,337,559 B2	12/2012	Hansell et al.
7,947,078 B2	5/2011	Siegal	8,343,193 B2	1/2013	Johnson et al.
7,951,199 B2	5/2011	Miller	8,343,222 B2	1/2013	Cope
7,955,391 B2	6/2011	Schaller	8,353,961 B2	1/2013	McClintock et al.
7,959,675 B2	6/2011	Gately	8,361,154 B2	1/2013	Reo
7,963,967 B1	6/2011	Woods	8,366,777 B2	2/2013	Matthis et al.
7,963,993 B2	6/2011	Schaller	8,377,098 B2	2/2013	Andry et al.
7,967,864 B2	6/2011	Schaller	8,377,133 B2	2/2013	Yuan et al.
7,967,865 B2	6/2011	Schaller	8,382,842 B2	2/2013	Greenhalgh et al.
7,985,231 B2	7/2011	Sankaran	8,394,129 B2	3/2013	Morgenstern et al.
7,993,403 B2	8/2011	Foley et al.	8,398,712 B2	3/2013	De et al.
7,998,176 B2	8/2011	Culbert	8,398,713 B2	3/2013	Weiman
8,007,535 B2	8/2011	Hudgins et al.	8,403,990 B2	3/2013	Dryer et al.
8,012,212 B2	9/2011	Link et al.	8,409,282 B2	4/2013	Kim
8,021,424 B2	9/2011	Beger et al.	8,409,290 B2	4/2013	Zamani et al.
8,021,426 B2	9/2011	Segal et al.	8,409,291 B2	4/2013	Blackwell et al.
8,025,697 B2	9/2011	McClellan et al.	8,414,650 B2	4/2013	Bertele et al.
			8,425,559 B2	4/2013	Tebbe et al.
			8,435,298 B2	5/2013	Weiman
			8,454,617 B2	6/2013	Schaller

(56)

References Cited

U.S. PATENT DOCUMENTS

8,454,698 B2	6/2013	De et al.	8,845,728 B1	9/2014	Abdou
8,465,524 B2	6/2013	Siegal	8,845,731 B2	9/2014	Weiman
8,470,043 B2	6/2013	Schaller et al.	8,845,732 B2	9/2014	Weiman
8,480,715 B2	7/2013	Gray	8,845,733 B2	9/2014	O'Neil et al.
8,480,742 B2	7/2013	Pisharodi	8,845,734 B2	9/2014	Weiman
8,480,748 B2	7/2013	Poulos	8,852,242 B2	10/2014	Morgenstern et al.
8,486,109 B2	7/2013	Siegal	8,852,243 B2	10/2014	Morgenstern et al.
8,486,148 B2	7/2013	Butler et al.	8,852,279 B2	10/2014	Weiman
8,491,591 B2	7/2013	Fuerderer	8,864,833 B2	10/2014	Glerum et al.
8,491,653 B2	7/2013	Zucherman et al.	8,888,853 B2	11/2014	Glerum et al.
8,491,657 B2	7/2013	Attia et al.	8,888,854 B2	11/2014	Glerum et al.
8,491,659 B2	7/2013	Weiman	8,894,711 B2	11/2014	Varela
8,506,635 B2	8/2013	Palmatier et al.	8,900,235 B2	12/2014	Siegal
8,518,087 B2	8/2013	Lopez et al.	8,900,307 B2	12/2014	Hawkins et al.
8,518,120 B2	8/2013	Glerum et al.	8,906,098 B2	12/2014	Siegal
8,523,909 B2	9/2013	Hess	8,920,506 B2	12/2014	McGuckin, Jr.
8,523,944 B2	9/2013	Jimenez et al.	8,926,704 B2	1/2015	Glerum
8,535,380 B2	9/2013	Greenhalgh et al.	8,936,641 B2	1/2015	Cain
8,545,567 B1	10/2013	Krueger	8,940,050 B2	1/2015	Laurence et al.
8,551,092 B2	10/2013	Morgan et al.	8,940,052 B2	1/2015	Lechmann et al.
8,551,173 B2	10/2013	Lechmann et al.	8,961,609 B2	2/2015	Schaller
8,556,978 B2	10/2013	Schaller	8,968,408 B2	3/2015	Schaller et al.
8,556,979 B2	10/2013	Glerum et al.	8,979,860 B2	3/2015	Voellmicke et al.
8,568,481 B2	10/2013	Olmos et al. .... A61F 2/30771 623/17.15	8,979,929 B2	3/2015	Schaller
8,579,977 B2	11/2013	Fabian	8,986,387 B1	3/2015	To et al.
8,579,981 B2	11/2013	Lim	8,986,388 B2	3/2015	Siegal et al.
8,591,583 B2	11/2013	Schaller et al.	8,986,389 B2	3/2015	Lim et al.
8,591,585 B2	11/2013	McLaughlin et al.	9,005,291 B2	4/2015	Loebl et al.
8,597,330 B2	12/2013	Siegal	9,017,408 B2	4/2015	Siegal et al.
8,597,333 B2	12/2013	Morgenstern et al.	9,017,413 B2	4/2015	Siegal et al.
8,597,360 B2	12/2013	McLuen et al.	9,039,767 B2	5/2015	Raymond et al.
8,603,168 B2	12/2013	Gordon et al.	9,039,771 B2	5/2015	Glerum et al.
8,603,170 B2	12/2013	Cipoletti et al.	9,044,334 B2	6/2015	Siegal et al.
8,603,177 B2	12/2013	Gray	9,044,338 B2	6/2015	Schaller
8,623,088 B1	1/2014	Tohmeh et al.	9,060,876 B1	6/2015	To et al.
8,623,091 B2	1/2014	Suedkamp et al.	9,066,808 B2	6/2015	Schaller
8,628,576 B2	1/2014	Triplett et al.	9,078,767 B1	7/2015	McLean
8,628,577 B1	1/2014	Jimenez	9,089,428 B2	7/2015	Bertele et al.
8,628,578 B2	1/2014	Miller et al.	9,095,446 B2	8/2015	Landry et al.
8,632,595 B2	1/2014	Weiman	9,095,447 B2	8/2015	Barreiro et al.
8,636,746 B2	1/2014	Jimenez et al.	9,101,488 B2	8/2015	Malandain
8,641,764 B2	2/2014	Gately	9,101,489 B2	8/2015	Protopsaltis et al.
8,663,329 B2	3/2014	Ernst	9,101,491 B2	8/2015	Rodgers et al.
8,663,331 B2	3/2014	McClellan et al.	9,101,492 B2	8/2015	Mangione et al.
8,668,740 B2	3/2014	Rhoda et al.	9,107,766 B1	8/2015	McLean et al.
8,672,977 B2	3/2014	Siegal et al.	9,155,631 B2	10/2015	Seifert et al.
8,679,161 B2	3/2014	Malandain et al.	9,237,956 B1	1/2016	Jensen
8,679,183 B2	3/2014	Glerum et al.	9,254,138 B2	2/2016	Siegal et al.
8,685,095 B2	4/2014	Miller et al.	9,259,326 B2	2/2016	Schaller
8,685,098 B2	4/2014	Glerum et al.	9,271,846 B2	3/2016	Lim et al.
8,696,751 B2	4/2014	Ashley et al.	9,277,928 B2	3/2016	Morgenstern Lopez
8,702,757 B2	4/2014	Thommen et al.	9,282,979 B2	3/2016	O'Neil et al.
8,702,798 B2	4/2014	Matthis et al.	9,283,092 B2	3/2016	Siegal et al.
8,709,086 B2	4/2014	Glerum et al.	9,295,562 B2	3/2016	Lechmann et al.
8,709,088 B2	4/2014	Kleiner et al.	9,314,348 B2	4/2016	Emstad
8,715,351 B1	5/2014	Pinto	9,320,610 B2	4/2016	Alheidt et al.
8,721,723 B2	5/2014	Hansell et al.	9,320,615 B2	4/2016	Suedkamp et al.
8,728,160 B2	5/2014	Globerman et al.	9,326,866 B2	5/2016	Schaller et al.
8,728,166 B2	5/2014	Schwab	9,333,091 B2	5/2016	DiMauro
8,740,954 B2	6/2014	Ghobrial et al.	9,387,087 B2	7/2016	Tyber
8,753,398 B2	6/2014	Gordon et al.	9,402,732 B2	8/2016	Gabelberger
8,758,349 B2	6/2014	Germain et al.	9,402,739 B2	8/2016	Weiman et al.
8,758,441 B2	6/2014	Hovda et al.	9,408,712 B2	8/2016	Siegal et al.
8,764,806 B2	7/2014	Abdou	9,414,923 B2	8/2016	Studer et al.
8,771,360 B2	7/2014	Jimenez et al.	9,414,934 B2	8/2016	Cain
8,777,993 B2	7/2014	Siegal et al.	9,414,936 B2	8/2016	Miller et al.
8,778,025 B2	7/2014	Ragab et al.	9,433,510 B2	9/2016	Lechmann et al.
8,795,366 B2	8/2014	Varela	9,439,776 B2	9/2016	DiMauro et al.
8,795,374 B2	8/2014	Chee	9,439,777 B2	9/2016	DiMauro
8,801,787 B2	8/2014	Schaller	9,445,825 B2	9/2016	Belaney et al.
8,801,792 B2	8/2014	De et al.	9,463,099 B2	10/2016	Levy et al.
8,808,376 B2	8/2014	Schaller	9,474,623 B2	10/2016	Cain
8,828,085 B1	9/2014	Jensen	9,492,288 B2*	11/2016	Wagner ..... A61F 2/4611
8,845,638 B2	9/2014	Siegal et al.	9,510,954 B2	12/2016	Glerum et al.
			9,522,070 B2	12/2016	Flower et al.
			9,532,884 B2	1/2017	Siegal et al.
			9,566,165 B2	2/2017	Lee et al.
			9,566,167 B2	2/2017	Barrus et al.
			9,579,215 B2	2/2017	Suedkamp et al.

(56)

References Cited

U.S. PATENT DOCUMENTS

9,592,129 B2	3/2017	Slivka et al.	10,624,758 B2	4/2020	Slivka et al.
9,597,197 B2	3/2017	Lechmann et al.	10,639,164 B2	5/2020	DiMauro et al.
9,662,223 B2	5/2017	Matthis et al.	10,639,166 B2	5/2020	Weiman et al.
9,662,224 B2	5/2017	Weiman et al.	10,682,241 B2	6/2020	Glerum et al.
9,675,470 B2	6/2017	Packer et al.	10,743,914 B2	8/2020	Lopez et al.
9,724,207 B2	8/2017	DiMauro et al.	10,842,644 B2	11/2020	Weiman et al.
9,730,803 B2	8/2017	DiMauro et al.	10,966,840 B2	4/2021	Voellmicke et al.
9,750,552 B2	9/2017	Stephan et al.	10,973,652 B2	4/2021	Hawkins et al.
9,750,618 B1	9/2017	Daffinson et al.	11,051,954 B2	7/2021	Greenhalgh et al.
9,788,962 B2	10/2017	Gabelberger	11,103,362 B2	8/2021	Butler et al.
9,788,963 B2	10/2017	Aquino et al.	11,426,290 B2 *	8/2022	Miller ..... A61F 2/447
9,788,971 B1	10/2017	Stein	2001/0011174 A1	8/2001	Reiley et al.
9,801,639 B2	10/2017	O'Neil et al.	2001/0012950 A1	8/2001	Nishtala et al.
9,801,640 B2	10/2017	O'Neil et al.	2001/0016741 A1	8/2001	Burkus et al.
9,801,729 B2	10/2017	DiMauro et al.	2001/0016775 A1	8/2001	Scarborough et al.
9,801,734 B1	10/2017	Stein et al.	2001/0027320 A1	10/2001	Sasso
9,808,351 B2	10/2017	O'Neil et al.	2001/0032020 A1	10/2001	Besselink
9,808,353 B2	10/2017	O'Neil et al.	2001/0037126 A1	11/2001	Stack et al.
9,801,729 B2	10/2017	DiMauro et al.	2001/0039452 A1	11/2001	Zucherman et al.
9,801,734 B1	10/2017	Stein et al.	2001/0039453 A1	11/2001	Gresser et al.
9,808,351 B2	11/2017	Kelly et al.	2001/0049529 A1	12/2001	Cachia et al.
9,808,353 B2	11/2017	Suddaby et al.	2001/0049530 A1	12/2001	Culbert et al.
9,814,589 B2	11/2017	DiMauro	2001/0049531 A1	12/2001	Reiley et al.
9,814,590 B2	11/2017	Serhan et al.	2001/0056302 A1	12/2001	Boyer et al.
9,833,334 B2	12/2017	Voellmicke et al.	2002/0001476 A1	1/2002	Nagamine et al.
9,839,528 B2	12/2017	Weiman et al.	2002/0010070 A1	1/2002	Cales et al.
9,839,530 B2	12/2017	Hawkins et al.	2002/0016583 A1	2/2002	Cragg
9,848,991 B2	12/2017	Boehm et al.	2002/0026195 A1	2/2002	Layne et al.
9,872,779 B2	1/2018	Miller et al.	2002/0026244 A1	2/2002	Trieu
9,895,236 B2	2/2018	Voellmicke et al.	2002/0029084 A1	3/2002	Paul et al.
9,907,670 B2	3/2018	Deridder et al.	2002/0032462 A1	3/2002	Houser et al.
9,918,851 B2	3/2018	Willis et al.	2002/0032483 A1	3/2002	Nicholson et al.
9,924,978 B2	3/2018	Thommen et al.	2002/0035400 A1	3/2002	Bryan et al.
9,925,060 B2	3/2018	DiMauro et al.	2002/0037799 A1	3/2002	Li et al.
9,931,223 B2	4/2018	Cain	2002/0045904 A1	4/2002	Fuss et al.
9,931,226 B2	4/2018	Kurtaliaj et al.	2002/0045942 A1	4/2002	Ham
9,937,053 B2	4/2018	Melkent et al.	2002/0055740 A1	5/2002	Lieberman
9,949,769 B2	4/2018	Serhan et al.	2002/0055781 A1	5/2002	Sazy
9,962,272 B1	5/2018	Daffinson et al.	2002/0058947 A1	5/2002	Hochschuler et al.
9,974,664 B2	5/2018	Emerick et al.	2002/0068974 A1	6/2002	Kuslich et al.
9,980,823 B2	5/2018	Matthis et al.	2002/0068976 A1	6/2002	Jackson
9,987,142 B2	6/2018	McConnell	2002/0068977 A1	6/2002	Jackson
9,993,350 B2	6/2018	Cain	2002/0072801 A1	6/2002	Michelson
10,004,607 B2	6/2018	Weiman et al.	2002/0077700 A1	6/2002	Varga et al.
10,034,772 B2	7/2018	Glerum et al.	2002/0077701 A1	6/2002	Kuslich
10,058,433 B2	8/2018	Lechmann et al.	2002/0082584 A1	6/2002	Rosenman et al.
10,085,843 B2	10/2018	DiMauro	2002/0082608 A1	6/2002	Reiley et al.
10,092,417 B2	10/2018	Weiman et al.	2002/0087152 A1	7/2002	Mikus et al.
10,098,759 B2	10/2018	Weiman	2002/0087163 A1	7/2002	Dixon et al.
10,137,009 B2	11/2018	Weiman et al.	2002/0091387 A1	7/2002	Hoogland
10,143,569 B2	12/2018	Weiman et al.	2002/0091390 A1	7/2002	Michelson
10,166,117 B1	1/2019	Daffinson et al.	2002/0099385 A1	7/2002	Ralph et al.
10,182,831 B2	1/2019	Marnay et al.	2002/0107519 A1	8/2002	Dixon et al.
10,219,915 B1	3/2019	Stein	2002/0107573 A1	8/2002	Steinberg
10,238,500 B2	3/2019	Rogers et al.	2002/0120335 A1	8/2002	Angelucci et al.
10,265,191 B2	4/2019	Lim et al.	2002/0128713 A1	9/2002	Ferree
10,307,254 B2	6/2019	Levy et al.	2002/0128715 A1	9/2002	Bryan et al.
10,363,142 B2	7/2019	McClintock et al.	2002/0128716 A1	9/2002	Cohen et al.
10,376,372 B2	8/2019	Serhan et al.	2002/0138078 A1	9/2002	Chappuis
10,398,566 B2	9/2019	Olmos et al.	2002/0138146 A1	9/2002	Jackson
10,405,986 B2	9/2019	Kelly et al.	2002/0143331 A1	10/2002	Zucherman et al.
10,405,989 B2	9/2019	O'Neil et al.	2002/0143334 A1	10/2002	Hoffmann et al.
10,420,651 B2	9/2019	Serhan et al.	2002/0143335 A1	10/2002	Von et al.
10,426,632 B2	10/2019	Butler et al.	2002/0151895 A1	10/2002	Soboleski et al.
10,433,971 B2	10/2019	DiMauro et al.	2002/0151976 A1	10/2002	Foley et al.
10,433,974 B2	10/2019	O'Neil	2002/0156482 A1	10/2002	Scribner et al.
10,433,977 B2	10/2019	Lechmann et al.	2002/0161444 A1	10/2002	Choi
10,449,056 B2	10/2019	Cain	2002/0165612 A1	11/2002	Gerber et al.
10,449,058 B2	10/2019	Lechmann et al.	2002/0169471 A1	11/2002	Ferdinand
10,470,894 B2	11/2019	Foley et al.	2002/0172851 A1	11/2002	Corey et al.
10,492,918 B2	12/2019	DiMauro	2002/0173796 A1	11/2002	Cragg
10,492,924 B2	12/2019	Stein et al.	2002/0173841 A1	11/2002	Ortiz et al.
10,512,489 B2	12/2019	Serhan et al.	2002/0173851 A1	11/2002	McKay
10,537,436 B2	1/2020	Maguire et al.	2002/0183761 A1	12/2002	Johnson et al.
10,548,741 B2	2/2020	Suedkamp et al.	2002/0183778 A1	12/2002	Reiley et al.
10,555,817 B2	2/2020	DiMauro et al.	2002/0183848 A1	12/2002	Ray et al.
10,575,959 B2	3/2020	DiMauro et al.	2002/0191487 A1	12/2002	Sand
10,583,013 B2	3/2020	DiMauro et al.	2002/0193883 A1	12/2002	Wironen
10,583,015 B2 *	3/2020	Olmos ..... A61F 2/4455	2002/0198526 A1	12/2002	Shaolian et al.

(56)

## References Cited

## U.S. PATENT DOCUMENTS

2003/0004575	A1	1/2003	Erickson	2004/0024465	A1	2/2004	Lambrecht et al.
2003/0004576	A1	1/2003	Thalgott	2004/0030387	A1	2/2004	Landry et al.
2003/0006942	A1	1/2003	Searls et al.	2004/0034343	A1	2/2004	Gillespie et al.
2003/0014112	A1	1/2003	Ralph et al.	2004/0034429	A1	2/2004	Lambrecht et al.
2003/0014113	A1	1/2003	Ralph et al.	2004/0049190	A1	3/2004	Biedermann et al.
2003/0014116	A1	1/2003	Ralph et al.	2004/0049203	A1	3/2004	Scribner et al.
2003/0018390	A1	1/2003	Husson	2004/0049223	A1	3/2004	Nishtala et al.
2003/0023305	A1	1/2003	McKay	2004/0049270	A1	3/2004	Gewirtz
2003/0028250	A1	2/2003	Reiley et al.	2004/0054412	A1	3/2004	Gerbec et al.
2003/0028251	A1	2/2003	Mathews	2004/0059333	A1	3/2004	Carl et al.
2003/0032963	A1	2/2003	Reiss et al.	2004/0059337	A1	3/2004	Hanson et al.
2003/0040796	A1	2/2003	Ferree	2004/0059339	A1	3/2004	Roehm et al.
2003/0040799	A1	2/2003	Boyd et al.	2004/0059350	A1	3/2004	Gordon et al.
2003/0045937	A1	3/2003	Ginn	2004/0059418	A1	3/2004	McKay et al.
2003/0045939	A1	3/2003	Casutt	2004/0064144	A1	4/2004	Johnson et al.
2003/0050644	A1	3/2003	Boucher et al.	2004/0068269	A1	4/2004	Bonati et al.
2003/0063582	A1	4/2003	Mizell et al.	2004/0073213	A1	4/2004	Serhan et al.
2003/0065330	A1	4/2003	Zucherman et al.	2004/0073308	A1	4/2004	Kuslich et al.
2003/0065396	A1	4/2003	Michelson	2004/0073310	A1	4/2004	Moumene et al.
2003/0069582	A1	4/2003	Culbert	2004/0082953	A1	4/2004	Petit
2003/0069593	A1	4/2003	Tremulis et al.	2004/0083000	A1	4/2004	Keller et al.
2003/0069642	A1	4/2003	Ralph et al.	2004/0087947	A1	5/2004	Lim et al.
2003/0073998	A1	4/2003	Pagliuca et al.	2004/0088055	A1	5/2004	Hanson et al.
2003/0074063	A1	4/2003	Gerbec et al.	2004/0092933	A1	5/2004	Shaolian et al.
2003/0074075	A1	4/2003	Thomas et al.	2004/0092948	A1	5/2004	Stevens et al.
2003/0078667	A1	4/2003	Manasas et al.	2004/0092988	A1	5/2004	Shaolian et al.
2003/0083642	A1	5/2003	Boyd et al.	2004/0093083	A1	5/2004	Branch et al.
2003/0083688	A1	5/2003	Simonson	2004/0097924	A1	5/2004	Lambrecht et al.
2003/0108588	A1	6/2003	Chen et al.	2004/0097930	A1	5/2004	Justis et al.
2003/0130664	A1	7/2003	Boucher et al.	2004/0097932	A1	5/2004	Ray et al.
2003/0130739	A1	7/2003	Gerbec et al.	2004/0097941	A1	5/2004	Weiner et al.
2003/0135275	A1	7/2003	Garcia	2004/0097973	A1	5/2004	Loshakove et al.
2003/0139648	A1	7/2003	Foley et al.	2004/0098131	A1	5/2004	Bryan et al.
2003/0139812	A1	7/2003	Garcia	2004/0102774	A1	5/2004	Trieu
2003/0139813	A1	7/2003	Messerli et al.	2004/0102784	A1	5/2004	Pasquet et al.
2003/0153874	A1	8/2003	Tal	2004/0102846	A1	5/2004	Keller et al.
2003/0171812	A1	9/2003	Grunberg et al.	2004/0106925	A1	6/2004	Culbert
2003/0187431	A1	10/2003	Simonson	2004/0106940	A1	6/2004	Shaolian et al.
2003/0187445	A1	10/2003	Keith et al.	2004/0111161	A1	6/2004	Trieu
2003/0187506	A1	10/2003	Ross et al.	2004/0116997	A1	6/2004	Taylor et al.
2003/0191414	A1	10/2003	Reiley et al.	2004/0117019	A1	6/2004	Trieu et al.
2003/0191489	A1	10/2003	Reiley et al.	2004/0117022	A1	6/2004	Marnay et al.
2003/0191531	A1	10/2003	Berry et al.	2004/0127906	A1	7/2004	Culbert et al.
2003/0195518	A1	10/2003	Cragg	2004/0127990	A1	7/2004	Bartish et al.
2003/0195547	A1	10/2003	Scribner et al.	2004/0127991	A1	7/2004	Ferree
2003/0195630	A1	10/2003	Ferree	2004/0133124	A1	7/2004	Bates et al.
2003/0199979	A1	10/2003	McGuckin	2004/0133229	A1	7/2004	Lambrecht et al.
2003/0204261	A1	10/2003	Eiserman	2004/0133279	A1	7/2004	Krueger et al.
2003/0208122	A1	11/2003	Melkent et al.	2004/0133280	A1	7/2004	Trieu
2003/0208136	A1	11/2003	Mark et al.	2004/0138748	A1	7/2004	Boyer et al.
2003/0208203	A1	11/2003	Lim et al.	2004/0143284	A1	7/2004	Chin
2003/0208220	A1	11/2003	Worley et al.	2004/0143332	A1	7/2004	Krueger et al.
2003/0208270	A9	11/2003	Michelson	2004/0143734	A1	7/2004	Buer et al.
2003/0220643	A1	11/2003	Ferree	2004/0147129	A1	7/2004	Rolfson
2003/0220648	A1	11/2003	Osorio et al.	2004/0147877	A1	7/2004	Heuser
2003/0220695	A1	11/2003	Sevrain	2004/0147950	A1	7/2004	Mueller et al.
2003/0229350	A1	12/2003	Kay	2004/0148027	A1	7/2004	Errico et al.
2003/0229372	A1	12/2003	Reiley et al.	2004/0153064	A1	8/2004	Foley et al.
2003/0233096	A1	12/2003	Osorio et al.	2004/0153065	A1	8/2004	Lim
2003/0233102	A1	12/2003	Nakamura et al.	2004/0153115	A1	8/2004	Reiley et al.
2003/0233145	A1	12/2003	Landry et al.	2004/0153156	A1	8/2004	Cohen et al.
2003/0233146	A1	12/2003	Grinberg et al.	2004/0153160	A1	8/2004	Carrasco
2004/0002761	A1	1/2004	Rogers et al.	2004/0158206	A1	8/2004	Aboul-Hosn et al.
2004/0006391	A1	1/2004	Reiley	2004/0158258	A1	8/2004	Bonati et al.
2004/0008949	A1	1/2004	Liu et al.	2004/0162617	A1	8/2004	Zucherman et al.
2004/0010251	A1	1/2004	Pitaru et al.	2004/0162618	A1	8/2004	Mujwid et al.
2004/0010260	A1	1/2004	Scribner et al.	2004/0167561	A1	8/2004	Boucher et al.
2004/0010263	A1	1/2004	Boucher et al.	2004/0167562	A1	8/2004	Osorio et al.
2004/0010318	A1	1/2004	Ferree	2004/0167625	A1	8/2004	Beyar et al.
2004/0019354	A1	1/2004	Johnson et al.	2004/0172133	A1	9/2004	Gerber et al.
2004/0019359	A1	1/2004	Worley et al.	2004/0172134	A1	9/2004	Berry
2004/0024408	A1	2/2004	Burkus et al.	2004/0176775	A1	9/2004	Burkus et al.
2004/0024409	A1	2/2004	Sand et al.	2004/0186052	A1	9/2004	Iyer et al.
2004/0024410	A1	2/2004	Olson et al.	2004/0186471	A1	9/2004	Trieu
2004/0024463	A1	2/2004	Thomas et al.	2004/0186482	A1	9/2004	Kolb et al.
				2004/0186528	A1	9/2004	Ries et al.
				2004/0186570	A1	9/2004	Rapp
				2004/0186573	A1	9/2004	Ferree
				2004/0186577	A1	9/2004	Ferree

(56)

## References Cited

## U.S. PATENT DOCUMENTS

2004/0193271	A1	9/2004	Fraser et al.	2005/0113919	A1	5/2005	Cragg et al.
2004/0193277	A1	9/2004	Long et al.	2005/0113927	A1	5/2005	Malek
2004/0199162	A1	10/2004	Von et al.	2005/0113928	A1	5/2005	Cragg et al.
2004/0210231	A1	10/2004	Boucher et al.	2005/0118228	A1	6/2005	Trieu
2004/0210310	A1	10/2004	Trieu	2005/0118550	A1	6/2005	Turri
2004/0215343	A1	10/2004	Hochschuler et al.	2005/0119657	A1	6/2005	Goldsmith
2004/0215344	A1	10/2004	Hochschuler et al.	2005/0119662	A1	6/2005	Reiley et al.
2004/0220580	A1	11/2004	Johnson et al.	2005/0119750	A1	6/2005	Studer
2004/0220668	A1	11/2004	Eisermann et al.	2005/0119751	A1	6/2005	Lawson
2004/0220669	A1	11/2004	Studer	2005/0119752	A1	6/2005	Williams et al.
2004/0220672	A1	11/2004	Shaddock	2005/0119754	A1	6/2005	Trieu et al.
2004/0225292	A1	11/2004	Sasso et al.	2005/0124989	A1	6/2005	Suddaby
2004/0225296	A1	11/2004	Reiss et al.	2005/0124992	A1	6/2005	Ferree
2004/0225361	A1	11/2004	Glenn et al.	2005/0124999	A1	6/2005	Teitelbaum et al.
2004/0230191	A1	11/2004	Frey et al.	2005/0125062	A1	6/2005	Biedermann et al.
2004/0230309	A1	11/2004	DiMauro	2005/0125066	A1	6/2005	McAfee
2004/0243229	A1	12/2004	Vidlund et al.	2005/0130929	A1	6/2005	Boyd
2004/0243239	A1	12/2004	Taylor	2005/0131267	A1	6/2005	Talmadge
2004/0243241	A1	12/2004	Istephanous et al.	2005/0131268	A1	6/2005	Talmadge
2004/0249377	A1	12/2004	Kaes et al.	2005/0131269	A1	6/2005	Talmadge
2004/0249461	A1	12/2004	Ferree	2005/0131406	A1	6/2005	Reiley et al.
2004/0249466	A1	12/2004	Liu et al.	2005/0131409	A1	6/2005	Chervitz et al.
2004/0254520	A1	12/2004	Porteous et al.	2005/0131411	A1	6/2005	Culbert
2004/0254575	A1	12/2004	Obenchain et al.	2005/0131536	A1	6/2005	Eisermann et al.
2004/0254643	A1	12/2004	Jackson	2005/0131538	A1	6/2005	Chervitz et al.
2004/0254644	A1	12/2004	Taylor	2005/0131540	A1	6/2005	Trieu
2004/0260297	A1	12/2004	Padget et al.	2005/0131541	A1	6/2005	Trieu
2004/0260300	A1	12/2004	Gorensek et al.	2005/0137595	A1	6/2005	Hoffmann et al.
2004/0260397	A1	12/2004	Lambrecht et al.	2005/0137602	A1	6/2005	Assell et al.
2004/0266257	A1	12/2004	Ries et al.	2005/0142211	A1	6/2005	Wenz
2004/0267271	A9	12/2004	Scribner et al.	2005/0143734	A1	6/2005	Cachia et al.
2004/0267367	A1	12/2004	O'Neil	2005/0143763	A1	6/2005	Ortiz et al.
2005/0004578	A1	1/2005	Lambrecht et al.	2005/0143827	A1	6/2005	Globerman et al.
2005/0010292	A1	1/2005	Carrasco	2005/0149022	A1	7/2005	Shaolian et al.
2005/0010293	A1	1/2005	Zucherman et al.	2005/0149030	A1	7/2005	Serhan et al.
2005/0010298	A1	1/2005	Zucherman et al.	2005/0149034	A1	7/2005	Assell et al.
2005/0015148	A1	1/2005	Jansen et al.	2005/0149191	A1	7/2005	Cragg et al.
2005/0015152	A1	1/2005	Sweeney	2005/0149194	A1	7/2005	Ahlgren
2005/0019365	A1	1/2005	Frauchiger et al.	2005/0149197	A1	7/2005	Cauthen
2005/0021041	A1	1/2005	Michelson	2005/0154396	A1	7/2005	Foley et al.
2005/0027360	A1	2/2005	Webb et al.	2005/0154463	A1	7/2005	Trieu
2005/0033289	A1	2/2005	Warren et al.	2005/0154467	A1	7/2005	Peterman et al.
2005/0033295	A1	2/2005	Wisnewski	2005/0159819	A1	7/2005	McCormack et al.
2005/0033434	A1	2/2005	Berry	2005/0165398	A1	7/2005	Reiley
2005/0033440	A1	2/2005	Lambrecht et al.	2005/0165406	A1	7/2005	Assell et al.
2005/0038431	A1	2/2005	Bartish et al.	2005/0165420	A1	7/2005	Cha
2005/0038515	A1	2/2005	Kunzler	2005/0165484	A1	7/2005	Ferree
2005/0038517	A1	2/2005	Carrison et al.	2005/0165485	A1	7/2005	Trieu
2005/0043737	A1	2/2005	Reiley et al.	2005/0171539	A1	8/2005	Braun et al.
2005/0043796	A1	2/2005	Grant et al.	2005/0171541	A1	8/2005	Boehm et al.
2005/0054948	A1	3/2005	Goldenberg	2005/0171552	A1	8/2005	Johnson et al.
2005/0055097	A1	3/2005	Grunberg et al.	2005/0171608	A1	8/2005	Peterman et al.
2005/0060036	A1	3/2005	Schultz et al.	2005/0171610	A1	8/2005	Humphreys et al.
2005/0060038	A1	3/2005	Lambrecht et al.	2005/0177173	A1	8/2005	Aebi et al.
2005/0065519	A1	3/2005	Michelson	2005/0177235	A1	8/2005	Baynham et al.
2005/0065609	A1	3/2005	Wardlaw	2005/0177240	A1	8/2005	Blain
2005/0065610	A1	3/2005	Pisharodi	2005/0182412	A1	8/2005	Johnson et al.
2005/0069571	A1	3/2005	Slivka et al.	2005/0182413	A1	8/2005	Johnson et al.
2005/0070908	A1	3/2005	Cragg	2005/0182414	A1	8/2005	Manzi et al.
2005/0070911	A1	3/2005	Carrison et al.	2005/0182418	A1	8/2005	Boyd et al.
2005/0070913	A1	3/2005	Milbocker et al.	2005/0187556	A1	8/2005	Stack et al.
2005/0071011	A1	3/2005	Ralph et al.	2005/0187558	A1	8/2005	Johnson et al.
2005/0080443	A1	4/2005	Fallin et al.	2005/0187559	A1	8/2005	Raymond et al.
2005/0080488	A1	4/2005	Schultz	2005/0187564	A1	8/2005	Jayaraman
2005/0085912	A1	4/2005	Arnin et al.	2005/0197702	A1	9/2005	Coppes et al.
2005/0090443	A1	4/2005	Reed	2005/0197707	A1	9/2005	Trieu et al.
2005/0090833	A1	4/2005	DiPoto	2005/0203512	A1	9/2005	Hawkins et al.
2005/0090852	A1	4/2005	Layne et al.	2005/0203515	A1	9/2005	Doherty et al.
2005/0090899	A1	4/2005	DiPoto	2005/0216018	A1	9/2005	Sennett
2005/0096745	A1	5/2005	Andre et al.	2005/0216026	A1	9/2005	Culbert
2005/0102202	A1	5/2005	Linden et al.	2005/0216081	A1	9/2005	Taylor
2005/0107880	A1	5/2005	Shimp et al.	2005/0216087	A1	9/2005	Zucherman et al.
2005/0113916	A1	5/2005	Branch	2005/0222681	A1	10/2005	Richley et al.
2005/0113917	A1	5/2005	Chae et al.	2005/0222684	A1	10/2005	Ferree
2005/0113918	A1	5/2005	Messerli et al.	2005/0228383	A1	10/2005	Zucherman et al.
				2005/0228391	A1	10/2005	Levy et al.
				2005/0228397	A1	10/2005	Malandain et al.
				2005/0234425	A1	10/2005	Miller et al.
				2005/0234451	A1	10/2005	Markworth

(56)

## References Cited

## U.S. PATENT DOCUMENTS

2005/0234452	A1	10/2005	Malandain	2006/0089654	A1	4/2006	Lins et al.
2005/0234456	A1	10/2005	Malandain	2006/0089715	A1	4/2006	Truckai et al.
2005/0240182	A1	10/2005	Zucherman et al.	2006/0089718	A1	4/2006	Zucherman et al.
2005/0240189	A1	10/2005	Rousseau et al.	2006/0089719	A1	4/2006	Trieu
2005/0240193	A1	10/2005	Layne et al.	2006/0095045	A1	5/2006	Trieu
2005/0240269	A1	10/2005	Lambrecht et al.	2006/0095046	A1	5/2006	Trieu et al.
2005/0251142	A1	11/2005	Hoffmann et al.	2006/0095134	A1	5/2006	Trieu et al.
2005/0251149	A1	11/2005	Wenz	2006/0095138	A1	5/2006	Truckai et al.
2005/0251260	A1	11/2005	Gerber et al.	2006/0100622	A1	5/2006	Jackson
2005/0256525	A1	11/2005	Culbert et al.	2006/0100706	A1	5/2006	Shaddock et al.
2005/0256576	A1	11/2005	Moskowitz et al.	2006/0100707	A1	5/2006	Stinson et al.
2005/0261682	A1	11/2005	Ferree	2006/0106381	A1	5/2006	Ferree et al.
2005/0261684	A1	11/2005	Shaolian et al.	2006/0106397	A1	5/2006	Lins
2005/0261695	A1	11/2005	Cragg et al.	2006/0106459	A1	5/2006	Truckai et al.
2005/0261769	A1	11/2005	Moskowitz et al.	2006/0111715	A1	5/2006	Jackson
2005/0261781	A1	11/2005	Sennett et al.	2006/0111728	A1	5/2006	Abdou
2005/0267471	A1	12/2005	Biedermann et al.	2006/0111785	A1	5/2006	O'Neil
2005/0273166	A1	12/2005	Sweeney	2006/0119629	A1	6/2006	An et al.
2005/0273173	A1	12/2005	Gordon et al.	2006/0122609	A1	6/2006	Mirkovic et al.
2005/0277938	A1	12/2005	Parsons	2006/0122610	A1	6/2006	Culbert et al.
2005/0278023	A1	12/2005	Zwirkoski	2006/0122701	A1	6/2006	Kiester
2005/0278026	A1	12/2005	Gordon et al.	2006/0122703	A1	6/2006	Aebi et al.
2005/0278027	A1	12/2005	Hyde, Jr.	2006/0122704	A1	6/2006	Vresilovic et al.
2005/0278029	A1	12/2005	Trieu	2006/0129244	A1	6/2006	Ensign
2005/0283238	A1	12/2005	Reiley	2006/0136062	A1	6/2006	DiNello et al.
2005/0283244	A1	12/2005	Gordon et al.	2006/0136063	A1	6/2006	Zeegers
2005/0287071	A1	12/2005	Wenz	2006/0136064	A1	6/2006	Sherman
2006/0004326	A1	1/2006	Collins et al.	2006/0142759	A1	6/2006	Arnin et al.
2006/0004456	A1	1/2006	McKay	2006/0142765	A9	6/2006	Dixon et al.
2006/0004457	A1	1/2006	Collins et al.	2006/0142776	A1	6/2006	Iwanari
2006/0004458	A1	1/2006	Collins et al.	2006/0142858	A1	6/2006	Colleran et al.
2006/0009778	A1	1/2006	Collins et al.	2006/0142864	A1	6/2006	Cauthen
2006/0009779	A1	1/2006	Collins et al.	2006/0149136	A1	7/2006	Seto et al.
2006/0009851	A1	1/2006	Collins et al.	2006/0149237	A1	7/2006	Markworth et al.
2006/0015105	A1	1/2006	Warren et al.	2006/0149252	A1	7/2006	Markworth et al.
2006/0015119	A1	1/2006	Plassky et al.	2006/0149379	A1	7/2006	Kuslich et al.
2006/0020284	A1	1/2006	Foley et al.	2006/0149380	A1	7/2006	Lotz et al.
2006/0022180	A1	2/2006	Selness	2006/0149385	A1	7/2006	McKay
2006/0030850	A1	2/2006	Keegan et al.	2006/0155379	A1	7/2006	Heneveld et al.
2006/0030872	A1	2/2006	Culbert et al.	2006/0161162	A1	7/2006	Lambrecht et al.
2006/0030933	A1	2/2006	Delegge et al.	2006/0161166	A1	7/2006	Johnson et al.
2006/0030943	A1	2/2006	Peterman	2006/0167547	A1	7/2006	Suddaby
2006/0036241	A1	2/2006	Siegal	2006/0167553	A1	7/2006	Cauthen et al.
2006/0036244	A1	2/2006	Spitler et al.	2006/0173545	A1	8/2006	Cauthen et al.
2006/0036246	A1	2/2006	Carl et al.	2006/0178743	A1	8/2006	Carter
2006/0036256	A1	2/2006	Carl et al.	2006/0178745	A1	8/2006	Bartish et al.
2006/0036259	A1	2/2006	Carl et al.	2006/0178746	A1	8/2006	Bartish et al.
2006/0036261	A1	2/2006	McDonnell	2006/0184192	A1	8/2006	Markworth et al.
2006/0036273	A1	2/2006	Siegal	2006/0184247	A1	8/2006	Edidin et al.
2006/0036323	A1	2/2006	Carl et al.	2006/0184248	A1	8/2006	Edidin et al.
2006/0036324	A1	2/2006	Sachs et al.	2006/0189999	A1	8/2006	Zwirkoski
2006/0041258	A1	2/2006	Galea	2006/0190083	A1	8/2006	Arnin et al.
2006/0041314	A1	2/2006	Millard	2006/0190085	A1	8/2006	Cauthen
2006/0045904	A1	3/2006	Aronson	2006/0195102	A1	8/2006	Malandain
2006/0058790	A1	3/2006	Carl et al.	2006/0195103	A1	8/2006	Padget et al.
2006/0058807	A1	3/2006	Landry et al.	2006/0195191	A1	8/2006	Sweeney et al.
2006/0058876	A1	3/2006	McKinley	2006/0200139	A1	9/2006	Michelson
2006/0058880	A1	3/2006	Wysocki	2006/0200164	A1	9/2006	Michelson
2006/0064101	A1	3/2006	Arramon	2006/0200239	A1	9/2006	Rothman et al.
2006/0064102	A1	3/2006	Ebner	2006/0200240	A1	9/2006	Rothman et al.
2006/0064171	A1	3/2006	Trieu	2006/0200241	A1	9/2006	Rothman et al.
2006/0064172	A1	3/2006	Trieu	2006/0200242	A1	9/2006	Rothman et al.
2006/0069436	A1	3/2006	Sutton et al.	2006/0200243	A1	9/2006	Rothman et al.
2006/0069439	A1	3/2006	Zucherman et al.	2006/0206116	A1	9/2006	Yeung
2006/0069440	A1	3/2006	Zucherman et al.	2006/0206207	A1	9/2006	Dryer et al.
2006/0074429	A1	4/2006	Ralph et al.	2006/0212118	A1	9/2006	Abernathie
2006/0079908	A1	4/2006	Lieberman	2006/0217711	A1	9/2006	Stevens et al.
2006/0084867	A1	4/2006	Tremblay et al.	2006/0229627	A1	10/2006	Hunt et al.
2006/0084977	A1	4/2006	Lieberman	2006/0229629	A1	10/2006	Manzi et al.
2006/0084988	A1	4/2006	Kim	2006/0235403	A1	10/2006	Blain
2006/0085002	A1	4/2006	Trieu et al.	2006/0235412	A1	10/2006	Blain
2006/0085009	A1	4/2006	Truckai et al.	2006/0235423	A1	10/2006	Cantu
2006/0085010	A1	4/2006	Lieberman	2006/0235521	A1	10/2006	Zucherman et al.
2006/0089642	A1	4/2006	Diaz et al.	2006/0235531	A1	10/2006	Buettner
2006/0089646	A1	4/2006	Bonutti	2006/0241643	A1	10/2006	Lim et al.
				2006/0241663	A1	10/2006	Rice et al.
				2006/0241770	A1	10/2006	Rhoda et al.
				2006/0247634	A1	11/2006	Warner et al.
				2006/0247770	A1	11/2006	Peterman

(56)

## References Cited

## U.S. PATENT DOCUMENTS

2006/0247771	A1	11/2006	Peterman et al.	2007/0078436	A1	4/2007	Leung et al.
2006/0247781	A1	11/2006	Francis	2007/0078463	A1	4/2007	Malandain
2006/0253120	A1	11/2006	Anderson et al.	2007/0093689	A1	4/2007	Steinberg
2006/0253201	A1	11/2006	McLuen	2007/0093897	A1	4/2007	Gerbec et al.
2006/0254784	A1	11/2006	Hartmann et al.	2007/0093899	A1	4/2007	Dutoit et al.
2006/0264896	A1	11/2006	Palmer	2007/0093901	A1	4/2007	Grotz et al.
2006/0264939	A1	11/2006	Zucherman et al.	2007/0093906	A1	4/2007	Hudgins et al.
2006/0264945	A1	11/2006	Edidin et al.	2007/0118132	A1	5/2007	Culbert et al.
2006/0265067	A1	11/2006	Zucherman et al.	2007/0118222	A1	5/2007	Lang
2006/0265075	A1	11/2006	Baumgartner et al.	2007/0118223	A1	5/2007	Allard et al.
2006/0265077	A1	11/2006	Zwirkoski	2007/0123868	A1	5/2007	Culbert et al.
2006/0271049	A1	11/2006	Zucherman et al.	2007/0123891	A1	5/2007	Ries et al.
2006/0271061	A1	11/2006	Beyar et al.	2007/0123892	A1	5/2007	Ries et al.
2006/0276897	A1	12/2006	Winslow et al.	2007/0123986	A1	5/2007	Schaller
2006/0276899	A1	12/2006	Zipnick et al.	2007/0129730	A1	6/2007	Woods et al.
2006/0276901	A1	12/2006	Zipnick et al.	2007/0135922	A1	6/2007	Trieu
2006/0276902	A1	12/2006	Zipnick et al.	2007/0142843	A1	6/2007	Dye
2006/0282167	A1	12/2006	Lambrecht et al.	2007/0149978	A1	6/2007	Shezifi et al.
2006/0287726	A1	12/2006	Segal et al.	2007/0150059	A1	6/2007	Ruberte et al.
2006/0287727	A1	12/2006	Segal et al.	2007/0150060	A1	6/2007	Trieu
2006/0293662	A1	12/2006	Boyer et al.	2007/0150061	A1	6/2007	Trieu
2006/0293663	A1	12/2006	Walkenhorst et al.	2007/0150063	A1	6/2007	Ruberte et al.
2006/0293753	A1	12/2006	Thramann	2007/0150064	A1	6/2007	Ruberte et al.
2007/0006692	A1	1/2007	Phan	2007/0161992	A1	7/2007	Kwak et al.
2007/0010716	A1	1/2007	Malandain et al.	2007/0162005	A1	7/2007	Peterson et al.
2007/0010717	A1	1/2007	Cragg	2007/0162127	A1	7/2007	Peterman et al.
2007/0010824	A1	1/2007	Malandain et al.	2007/0162132	A1	7/2007	Messerli
2007/0010826	A1	1/2007	Rhoda et al.	2007/0162138	A1	7/2007	Heinz
2007/0010844	A1	1/2007	Gong et al.	2007/0167945	A1	7/2007	Lange et al.
2007/0010845	A1	1/2007	Gong et al.	2007/0168036	A1	7/2007	Ainsworth et al.
2007/0010846	A1	1/2007	Leung et al.	2007/0168038	A1	7/2007	Trieu
2007/0010848	A1	1/2007	Leung et al.	2007/0173939	A1	7/2007	Kim et al.
2007/0010886	A1	1/2007	Banick et al.	2007/0173940	A1	7/2007	Hestad et al.
2007/0010889	A1	1/2007	Francis	2007/0178222	A1	8/2007	Storey et al.
2007/0016191	A1	1/2007	Culbert et al.	2007/0179612	A1	8/2007	Johnson et al.
2007/0032703	A1	2/2007	Sankaran et al.	2007/0179615	A1	8/2007	Heinz et al.
2007/0032790	A1	2/2007	Aschmann et al.	2007/0179616	A1	8/2007	Braddock et al.
2007/0032791	A1	2/2007	Greenhalgh	2007/0179618	A1	8/2007	Trieu et al.
2007/0043361	A1	2/2007	Malandain et al.	2007/0185578	A1	8/2007	O'Neil et al.
2007/0043362	A1	2/2007	Malandain et al.	2007/0191953	A1	8/2007	Trieu
2007/0043363	A1	2/2007	Malandain et al.	2007/0191954	A1	8/2007	Hansell et al.
2007/0043440	A1	2/2007	William et al.	2007/0191959	A1	8/2007	Hartmann et al.
2007/0048382	A1	3/2007	Meyer et al.	2007/0197935	A1	8/2007	Reiley et al.
2007/0049849	A1	3/2007	Schwardt et al.	2007/0198023	A1	8/2007	Sand et al.
2007/0049934	A1	3/2007	Edidin et al.	2007/0198025	A1	8/2007	Trieu et al.
2007/0049935	A1	3/2007	Edidin et al.	2007/0198089	A1	8/2007	Moskowitz et al.
2007/0050034	A1	3/2007	Schwardt et al.	2007/0203491	A1	8/2007	Pasquet et al.
2007/0050035	A1	3/2007	Schwardt et al.	2007/0208423	A1	9/2007	Messerli et al.
2007/0055201	A1	3/2007	Seto et al.	2007/0208426	A1	9/2007	Trieu
2007/0055236	A1	3/2007	Hudgins et al.	2007/0213717	A1	9/2007	Trieu et al.
2007/0055237	A1	3/2007	Edidin et al.	2007/0213737	A1	9/2007	Schermerhorn et al.
2007/0055246	A1	3/2007	Zucherman et al.	2007/0213826	A1	9/2007	Smith et al.
2007/0055264	A1	3/2007	Parmigiani	2007/0219634	A1	9/2007	Greenhalgh et al.
2007/0055265	A1	3/2007	Schaller	2007/0225706	A1	9/2007	Clark et al.
2007/0055266	A1	3/2007	Osorio et al.	2007/0225726	A1	9/2007	Dye et al.
2007/0055267	A1	3/2007	Osorio et al.	2007/0225807	A1	9/2007	Phan et al.
2007/0055271	A1	3/2007	Schaller	2007/0225815	A1	9/2007	Keith et al.
2007/0055272	A1	3/2007	Schaller	2007/0233074	A1	10/2007	Anderson et al.
2007/0055273	A1	3/2007	Schaller	2007/0233076	A1	10/2007	Trieu
2007/0055274	A1	3/2007	Appenzeller et al.	2007/0233083	A1	10/2007	Abdou
2007/0055275	A1	3/2007	Schaller	2007/0233089	A1	10/2007	DiPoto et al.
2007/0055276	A1	3/2007	Edidin	2007/0233130	A1	10/2007	Suddaby
2007/0055277	A1	3/2007	Osorio et al.	2007/0233244	A1	10/2007	Lopez et al.
2007/0055278	A1	3/2007	Osorio et al.	2007/0233254	A1	10/2007	Grotz et al.
2007/0055281	A1	3/2007	Osorio et al.	2007/0239278	A1	10/2007	Heinz
2007/0055284	A1	3/2007	Osorio et al.	2007/0250167	A1	10/2007	Bray et al.
2007/0055300	A1	3/2007	Osorio et al.	2007/0260245	A1	11/2007	Malandain et al.
2007/0055377	A1	3/2007	Hanson et al.	2007/0260255	A1	11/2007	Haddock et al.
2007/0060933	A1	3/2007	Sankaran et al.	2007/0260314	A1	11/2007	Biyani
2007/0060935	A1	3/2007	Schwardt et al.	2007/0270823	A1	11/2007	Trieu et al.
2007/0067034	A1	3/2007	Chirico et al.	2007/0270954	A1	11/2007	Wu
2007/0067035	A1	3/2007	Falahee	2007/0270957	A1	11/2007	Heinz
2007/0068329	A1	3/2007	Phan et al.	2007/0270968	A1	11/2007	Baynham et al.
2007/0073292	A1	3/2007	Kohm et al.	2007/0276373	A1	11/2007	Malandain
2007/0073399	A1	3/2007	Zipnick et al.	2007/0276375	A1	11/2007	Rapp
				2007/0276497	A1	11/2007	Anderson
				2007/0282443	A1	12/2007	Globerman et al.
				2007/0282449	A1	12/2007	De et al.
				2007/0288091	A1	12/2007	Braddock et al.



(56)

## References Cited

## U.S. PATENT DOCUMENTS

2007/0299521	A1	12/2007	Glenn
2008/0009877	A1	1/2008	Sankaran et al.
2008/0015694	A1	1/2008	Tribus
2008/0015701	A1	1/2008	Garcia et al.
2008/0021556	A1	1/2008	Edie
2008/0021557	A1	1/2008	Trieu
2008/0021558	A1	1/2008	Thramann
2008/0021559	A1	1/2008	Thramann
2008/0027437	A1	1/2008	Johnson et al.
2008/0027438	A1	1/2008	Abdou
2008/0027453	A1	1/2008	Johnson et al.
2008/0027454	A1	1/2008	Johnson et al.
2008/0027544	A1	1/2008	Melkent
2008/0027550	A1	1/2008	Link et al.
2008/0033440	A1	2/2008	Moskowitz et al.
2008/0033480	A1	2/2008	Hardert
2008/0045966	A1	2/2008	Buttermann et al.
2008/0051890	A1	2/2008	Waugh et al.
2008/0051897	A1	2/2008	Lopez et al.
2008/0051902	A1	2/2008	Dwyer
2008/0058598	A1	3/2008	Ries et al.
2008/0058937	A1	3/2008	Malandain et al.
2008/0058944	A1	3/2008	Duplessis et al.
2008/0065082	A1	3/2008	Chang et al.
2008/0065219	A1	3/2008	Dye
2008/0071356	A1	3/2008	Greenhalgh et al.
2008/0071380	A1	3/2008	Sweeney
2008/0077148	A1	3/2008	Ries et al.
2008/0077150	A1	3/2008	Nguyen
2008/0077241	A1	3/2008	Nguyen
2008/0082172	A1	4/2008	Jackson
2008/0082173	A1	4/2008	Delurio et al.
2008/0097436	A1	4/2008	Culbert et al.
2008/0097454	A1	4/2008	Deridder et al.
2008/0097611	A1	4/2008	Mastrorio et al.
2008/0103601	A1	5/2008	Biro et al.
2008/0108990	A1	5/2008	Mitchell et al.
2008/0108996	A1	5/2008	Padget et al.
2008/0119935	A1	5/2008	Alvarez
2008/0125865	A1	5/2008	Abdelgany
2008/0132934	A1	6/2008	Reiley
2008/0133012	A1	6/2008	McGuckin
2008/0133017	A1	6/2008	Beyar et al.
2008/0140085	A1	6/2008	Gately et al.
2008/0140207	A1	6/2008	Olmos et al.
2008/0147129	A1	6/2008	Biedermann et al.
2008/0147193	A1	6/2008	Matthis et al.
2008/0154377	A1	6/2008	Voellmicke et al.
2008/0154379	A1	6/2008	Steiner et al.
2008/0161927	A1	7/2008	Savage
2008/0167657	A1	7/2008	Greenhalgh
2008/0172128	A1	7/2008	Perez-Cruet et al.
2008/0177306	A1	7/2008	Lamborne et al.
2008/0177312	A1	7/2008	Perez-Cruet et al.
2008/0177388	A1	7/2008	Patterson et al.
2008/0183204	A1	7/2008	Greenhalgh et al.
2008/0188945	A1	8/2008	Boyce et al.
2008/0195096	A1	8/2008	Frei
2008/0195209	A1	8/2008	Garcia et al.
2008/0195210	A1	8/2008	Milijasevic et al.
2008/0208255	A1	8/2008	Siegal
2008/0208344	A1	8/2008	Kilpela et al.
2008/0221586	A1	9/2008	Garcia-Bengochea et al.
2008/0221687	A1	9/2008	Viker
2008/0228225	A1	9/2008	Trautwein et al.
2008/0229597	A1	9/2008	Malandain
2008/0234732	A1	9/2008	Landry et al.
2008/0234733	A1	9/2008	Scrantz et al.
2008/0243126	A1	10/2008	Gutierrez et al.
2008/0243251	A1	10/2008	Stad et al.
2008/0243254	A1	10/2008	Butler
2008/0249622	A1	10/2008	Gray
2008/0249628	A1	10/2008	Altarac et al.
2008/0255563	A1	10/2008	Farr et al.
2008/0255574	A1	10/2008	Dye
2008/0255618	A1	10/2008	Fisher et al.
2008/0262619	A1	10/2008	Ray
2008/0269904	A1	10/2008	Voorhies
2008/0281346	A1	11/2008	Greenhalgh et al.
2008/0281364	A1	11/2008	Chirico et al.
2008/0281425	A1	11/2008	Thalgott
2008/0287981	A1	11/2008	Culbert et al.
2008/0287997	A1	11/2008	Altarac et al.
2008/0300685	A1	12/2008	Carls et al.
2008/0306537	A1	12/2008	Culbert
2008/0312743	A1	12/2008	Vila et al.
2008/0319477	A1	12/2008	Justis et al.
2009/0005870	A1	1/2009	Hawkins et al.
2009/0005873	A1	1/2009	Slivka et al.
2009/0018524	A1	1/2009	Greenhalgh et al.
2009/0030423	A1	1/2009	Puno
2009/0048631	A1	2/2009	Bhatnagar et al.
2009/0048678	A1	2/2009	Saal et al.
2009/0054898	A1	2/2009	Gleason
2009/0054911	A1	2/2009	Mueller et al.
2009/0054988	A1	2/2009	Hess
2009/0054991	A1	2/2009	Biyani et al.
2009/0062807	A1	3/2009	Song
2009/0069813	A1	3/2009	Von et al.
2009/0069895	A1	3/2009	Gittings et al.
2009/0076607	A1	3/2009	Aalsma et al.
2009/0076610	A1	3/2009	Afzal
2009/0088789	A1	4/2009	O'Neil et al.
2009/0099568	A1	4/2009	Lowry et al.
2009/0105712	A1	4/2009	Dauster
2009/0105745	A1	4/2009	Culbert
2009/0112217	A1	4/2009	Hester
2009/0112320	A1	4/2009	Kraus
2009/0112324	A1	4/2009	Refai et al.
2009/0131986	A1	5/2009	Lee et al.
2009/0149857	A1	6/2009	Culbert et al.
2009/0164020	A1	6/2009	Janowski
2009/0177281	A1	7/2009	Swanson et al.
2009/0177284	A1	7/2009	Rogers et al.
2009/0182429	A1	7/2009	Humphreys et al.
2009/0192613	A1	7/2009	Wing et al.
2009/0192614	A1	7/2009	Beger et al.
2009/0198339	A1	8/2009	Kleiner
2009/0216234	A1	8/2009	Farr et al.
2009/0221967	A1	9/2009	Thommen et al.
2009/0222043	A1	9/2009	Altarac et al.
2009/0222096	A1	9/2009	Trieu
2009/0222099	A1	9/2009	Liu et al.
2009/0222100	A1	9/2009	Cipoletti et al.
2009/0234364	A1	9/2009	Crook
2009/0234389	A1	9/2009	Chuang et al.
2009/0234398	A1	9/2009	Chirico et al.
2009/0240333	A1	9/2009	Trudeau et al.
2009/0240334	A1	9/2009	Richelsoph
2009/0240335	A1	9/2009	Arcenio et al.
2009/0248159	A1	10/2009	Aflatoon
2009/0248163	A1	10/2009	King et al.
2009/0275890	A1	11/2009	Leibowitz et al.
2009/0276049	A1	11/2009	Weiland
2009/0276051	A1	11/2009	Arramon et al.
2009/0292361	A1	11/2009	Lopez et al.
2009/0299479	A1	12/2009	Jones et al.
2010/0016905	A1	1/2010	Greenhalgh et al.
2010/0016968	A1	1/2010	Moore
2010/0024779	A1	2/2010	Makita
2010/0030217	A1	2/2010	Mitusina
2010/0040332	A1	2/2010	Van et al.
2010/0042218	A1	2/2010	Nebosky et al.
2010/0049324	A1	2/2010	Valdevit et al.
2010/0057204	A1	3/2010	Kadaba et al.
2010/0070036	A1	3/2010	Implicito
2010/0076492	A1	3/2010	Warner et al.
2010/0076502	A1	3/2010	Guyer et al.
2010/0076559	A1	3/2010	Bagga
2010/0082109	A1	4/2010	Greenhalgh et al.
2010/0094422	A1	4/2010	Hansell et al.
2010/0094424	A1	4/2010	Woodburn et al.
2010/0094426	A1	4/2010	Grohowski et al.
2010/0100098	A1	4/2010	Norton et al.

(56)

## References Cited

## U.S. PATENT DOCUMENTS

2010/0100183	A1	4/2010	Prewett et al.	2011/0251690	A1	10/2011	Berger et al.
2010/0106191	A1	4/2010	Yue et al.	2011/0270261	A1	11/2011	Mast et al.
2010/0114105	A1	5/2010	Butters	2011/0276142	A1	11/2011	Niemiec et al.
2010/0114147	A1	5/2010	Biyani	2011/0282453	A1	11/2011	Greenhalgh et al.
2010/0125334	A1	5/2010	Krueger	2011/0282459	A1	11/2011	McClellan et al.
2010/0174314	A1	7/2010	Mirkovic et al.	2011/0301711	A1	12/2011	Palmatier et al.
2010/0179594	A1	7/2010	Theofilos et al.	2011/0301712	A1	12/2011	Palmatier et al.
2010/0185290	A1	7/2010	Compton et al.	2011/0307010	A1	12/2011	Pradhan
2010/0185292	A1	7/2010	Hochschuler et al.	2011/0313465	A1	12/2011	Warren et al.
2010/0191241	A1	7/2010	McCormack et al.	2011/0319899	A1	12/2011	O'Neil et al.
2010/0191334	A1	7/2010	Keller	2011/0319943	A1	12/2011	Donahoe et al.
2010/0191336	A1	7/2010	Greenhalgh	2011/0319998	A1	12/2011	O'Neil et al.
2010/0204795	A1	8/2010	Greenhalgh	2011/0320000	A1	12/2011	O'Neil
2010/0204796	A1	8/2010	Bae et al.	2012/0004726	A1	1/2012	Greenhalgh et al.
2010/0211107	A1	8/2010	Muhanna	2012/0004732	A1	1/2012	Goel et al.
2010/0211176	A1	8/2010	Greenhalgh	2012/0006361	A1	1/2012	Miyagi et al.
2010/0211182	A1	8/2010	Zimmermann	2012/0010715	A1	1/2012	Spann
2010/0217269	A1	8/2010	Landes	2012/0022654	A1	1/2012	Farris et al.
2010/0222884	A1	9/2010	Greenhalgh	2012/0029636	A1	2/2012	Ragab et al.
2010/0234849	A1	9/2010	Bouadi	2012/0029639	A1	2/2012	Blackwell et al.
2010/0234956	A1	9/2010	Attia et al.	2012/0035730	A1	2/2012	Spann
2010/0241231	A1	9/2010	Marino et al.	2012/0059474	A1	3/2012	Weiman
2010/0249935	A1	9/2010	Slivka et al.	2012/0059475	A1	3/2012	Weiman
2010/0256768	A1	10/2010	Lim et al.	2012/0071977	A1	3/2012	Oglaza et al.
2010/0262240	A1	10/2010	Chavatte et al.	2012/0071980	A1	3/2012	Purcell et al.
2010/0268231	A1	10/2010	Kuslich et al.	2012/0083887	A1	4/2012	Purcell et al.
2010/0268338	A1	10/2010	Melkent et al.	2012/0083889	A1	4/2012	Purcell et al.
2010/0274358	A1	10/2010	Mueller et al.	2012/0109319	A1	5/2012	Perisic
2010/0286777	A1	11/2010	Errico et al.	2012/0123546	A1	5/2012	Medina
2010/0286783	A1	11/2010	Lechmann et al.	2012/0136443	A1	5/2012	Wenzel
2010/0292700	A1	11/2010	Ries	2012/0150304	A1	6/2012	Glerum et al.
2010/0298938	A1	11/2010	Humphreys et al.	2012/0150305	A1	6/2012	Glerum et al.
2010/0305700	A1	12/2010	Ben-Arye et al.	2012/0158146	A1	6/2012	Glerum et al.
2010/0305704	A1	12/2010	Messerli et al.	2012/0158147	A1	6/2012	Glerum et al.
2010/0324607	A1	12/2010	Davis	2012/0158148	A1	6/2012	Glerum et al.
2010/0324683	A1	12/2010	Reichen et al.	2012/0185049	A1	7/2012	Varela
2010/0331845	A1	12/2010	Foley et al.	2012/0191204	A1	7/2012	Bae et al.
2010/0331891	A1	12/2010	Culbert et al.	2012/0197299	A1	8/2012	Fabian, Jr.
2011/0004216	A1	1/2011	Amendola et al.	2012/0197403	A1	8/2012	Merves
2011/0004308	A1	1/2011	Marino et al.	2012/0197405	A1	8/2012	Cuevas et al.
2011/0004310	A1	1/2011	Michelson	2012/0203290	A1	8/2012	Warren et al.
2011/0009970	A1	1/2011	Puno	2012/0203347	A1	8/2012	Glerum et al.
2011/0015747	A1	1/2011	McManus et al.	2012/0209383	A1	8/2012	Tsuang et al.
2011/0029082	A1	2/2011	Hall	2012/0215262	A1	8/2012	Culbert et al.
2011/0029083	A1	2/2011	Hynes et al.	2012/0215315	A1	8/2012	Hochschuler et al.
2011/0029085	A1	2/2011	Hynes et al.	2012/0215316	A1	8/2012	Mohr et al.
2011/0029086	A1	2/2011	Glazer et al.	2012/0226357	A1	9/2012	Varela
2011/0035011	A1	2/2011	Cain	2012/0232552	A1	9/2012	Morgenstern et al.
2011/0040332	A1	2/2011	Culbert et al.	2012/0232658	A1	9/2012	Morgenstern et al.
2011/0046674	A1	2/2011	Calvosa et al.	2012/0253395	A1	10/2012	Linares
2011/0054538	A1	3/2011	Zehavi et al.	2012/0253406	A1	10/2012	Bae et al.
2011/0066186	A1	3/2011	Boyer et al.	2012/0265309	A1	10/2012	Glerum et al.
2011/0071527	A1	3/2011	Nelson et al.	2012/0277795	A1	11/2012	Von et al.
2011/0082552	A1	4/2011	Wistrom et al.	2012/0277869	A1	11/2012	Siccardi et al.
2011/0093074	A1	4/2011	Glerum et al.	2012/0277877	A1	11/2012	Smith et al.
2011/0093076	A1	4/2011	Reo et al.	2012/0283837	A1	11/2012	Bae et al.
2011/0098531	A1	4/2011	To	2012/0290090	A1	11/2012	Glerum et al.
2011/0098628	A1	4/2011	Yeung et al.	2012/0290097	A1	11/2012	Cipoletti et al.
2011/0098818	A1	4/2011	Brodke et al.	2012/0310350	A1	12/2012	Farris et al.
2011/0112586	A1	5/2011	Guyer et al.	2012/0310352	A1	12/2012	DiMauro et al.
2011/0118840	A1	5/2011	Huntsman et al.	2012/0323327	A1	12/2012	McAfee
2011/0130835	A1	6/2011	Ashley et al.	2012/0323328	A1	12/2012	Weiman
2011/0130838	A1	6/2011	Lopez	2012/0330421	A1	12/2012	Weiman
2011/0144692	A1	6/2011	Saladin et al.	2012/0330422	A1	12/2012	Weiman
2011/0144753	A1	6/2011	Marchek et al.	2013/0006361	A1	1/2013	Glerum et al.
2011/0153020	A1	6/2011	Abdelgany et al.	2013/0006362	A1	1/2013	Biedermann et al.
2011/0159070	A1	6/2011	Jin et al.	2013/0023937	A1	1/2013	Biedermann et al.
2011/0160773	A1	6/2011	Aschmann et al.	2013/0023993	A1	1/2013	Weiman
2011/0160866	A1	6/2011	Laurence et al.	2013/0023994	A1	1/2013	Glerum
2011/0172716	A1	7/2011	Glerum	2013/0030536	A1	1/2013	Rhoda et al.
2011/0172774	A1	7/2011	Varela	2013/0030544	A1	1/2013	Studer
2011/0190816	A1	8/2011	Sheffer et al.	2013/0053966	A1	2/2013	Jimenez et al.
2011/0190891	A1	8/2011	Suh et al.	2013/0060337	A1	3/2013	Petersheim et al.
2011/0230971	A1	9/2011	Donner et al.	2013/0073044	A1	3/2013	Gamache
2011/0238072	A1	9/2011	Tyndall	2013/0079790	A1	3/2013	Stein et al.
				2013/0085572	A1	4/2013	Glerum et al.
				2013/0085574	A1	4/2013	Sledge
				2013/0109925	A1	5/2013	Horton et al.
				2013/0110240	A1	5/2013	Hansell et al.

(56)

References Cited

U.S. PATENT DOCUMENTS

2013/0116791 A1	5/2013	Theofilos	2014/0277139 A1	9/2014	Vrionis et al.
2013/0123924 A1	5/2013	Butler et al.	2014/0277204 A1	9/2014	Sandhu
2013/0123927 A1	5/2013	Malandain	2014/0277464 A1	9/2014	Richter et al.
2013/0138214 A1	5/2013	Greenhalgh et al.	2014/0277473 A1	9/2014	Perrow
2013/0144387 A1	6/2013	Walker et al.	2014/0277474 A1	9/2014	Robinson et al.
2013/0144388 A1	6/2013	Emery et al.	2014/0277476 A1	9/2014	McLean et al.
2013/0144391 A1	6/2013	Siegal et al.	2014/0277481 A1	9/2014	Lee et al.
2013/0150906 A1	6/2013	Kerboul et al.	2014/0277507 A1	9/2014	Baynham
2013/0158663 A1	6/2013	Miller et al.	2014/0296983 A1	10/2014	Fauth et al.
2013/0158664 A1	6/2013	Palmatier et al.	2014/0303731 A1	10/2014	Glerum et al.
2013/0158667 A1	6/2013	Tabor et al.	2014/0303732 A1	10/2014	Rhoda et al.
2013/0158668 A1	6/2013	Nichols et al.	2014/0324171 A1	10/2014	Glerum et al.
2013/0158669 A1	6/2013	Sungarian et al.	2014/0336764 A1	11/2014	Masson et al.
2013/0173004 A1	7/2013	Greenhalgh et al.	2014/0336771 A1	11/2014	Zambiasi et al.
2013/0190875 A1	7/2013	Shulock et al.	2014/0343678 A1	11/2014	Suddaby et al.
2013/0190876 A1	7/2013	Drochner et al.	2015/0012097 A1	1/2015	Ibarra et al.
2013/0190877 A1	7/2013	Medina	2015/0012098 A1	1/2015	Eastlack et al.
2013/0197647 A1	8/2013	Wolters et al.	2015/0045894 A1	2/2015	Hawkins et al.
2013/0204371 A1	8/2013	McLuen et al.	2015/0051701 A1	2/2015	Glerum et al.
2013/0211525 A1	8/2013	McLuen et al.	2015/0057755 A1	2/2015	Suddaby et al.
2013/0211526 A1*	8/2013	Alheidt ..... A61F 2/4611 623/17.16	2015/0066145 A1	3/2015	Rogers et al.
2013/0218276 A1	8/2013	Fiechter et al.	2015/0088256 A1	3/2015	Ballard
2013/0231747 A1	9/2013	Olmos et al.	2015/0094610 A1	4/2015	Morgenstern et al.
2013/0238006 A1	9/2013	O'Neil et al.	2015/0094812 A1	4/2015	Cain
2013/0253585 A1	9/2013	Garcia et al.	2015/0094813 A1	4/2015	Lechmann et al.
2013/0261746 A1	10/2013	Linares et al.	2015/0094814 A1	4/2015	Emerick et al.
2013/0261747 A1	10/2013	Geisert	2015/0100128 A1	4/2015	Glerum et al.
2013/0268077 A1	10/2013	You et al.	2015/0112398 A1	4/2015	Morgenstern et al.
2013/0274883 A1	10/2013	McLuen et al.	2015/0112437 A1	4/2015	Davis et al.
2013/0310937 A1	11/2013	Luiz	2015/0112438 A1	4/2015	McLean
2013/0310939 A1	11/2013	Fabian et al.	2015/0157470 A1	6/2015	Voellmicke et al.
2013/0325128 A1	12/2013	Perloff et al.	2015/0164655 A1	6/2015	DiMauro
2014/0018816 A1	1/2014	Fenn et al.	2015/0173914 A1	6/2015	DiMauro et al.
2014/0025169 A1	1/2014	Lechmann et al.	2015/0173916 A1	6/2015	Cain
2014/0039622 A1	2/2014	Glerum et al. .... A61F 2/4611 623/17.15	2015/0182347 A1	7/2015	Robinson
2014/0039626 A1	2/2014	Dale	2015/0190242 A1	7/2015	Blain et al.
2014/0046333 A1	2/2014	Johnson et al.	2015/0196400 A1	7/2015	Dace
2014/0046446 A1	2/2014	Robinson	2015/0196401 A1	7/2015	DiMauro et al.
2014/0052259 A1	2/2014	Garner et al.	2015/0202052 A1	7/2015	DiMauro
2014/0058512 A1	2/2014	Petersheim	2015/0216671 A1	8/2015	Cain
2014/0058513 A1	2/2014	Gahman et al.	2015/0216672 A1	8/2015	Cain et al.
2014/0067073 A1	3/2014	Hauck	2015/0216673 A1	8/2015	DiMauro
2014/0081267 A1	3/2014	Orsak et al.	2015/0230929 A1	8/2015	Lorio
2014/0086962 A1	3/2014	Jin et al.	2015/0230932 A1	8/2015	Schaller
2014/0094916 A1	4/2014	Glerum et al.	2015/0238324 A1	8/2015	Nebosky et al.
2014/0094917 A1	4/2014	Salerni	2015/0250606 A1	9/2015	Mclean
2014/0100662 A1	4/2014	Patterson	2015/0272743 A1	10/2015	Jimenez et al.
2014/0107790 A1	4/2014	Combrowski	2015/0305881 A1	10/2015	Bal et al.
2014/0114414 A1	4/2014	Abdou et al.	2015/0320571 A1	11/2015	Lechmann et al.
2014/0114423 A1	4/2014	Suedkamp et al.	2016/0000577 A1	1/2016	DiMauro
2014/0121774 A1	5/2014	Glerum et al.	2016/0016309 A1	1/2016	Swift et al.
2014/0128977 A1	5/2014	Glerum et al.	2016/0022437 A1	1/2016	Kelly et al.
2014/0128980 A1	5/2014	Kirschman	2016/0022438 A1	1/2016	Lamborne et al.
2014/0135934 A1	5/2014	Hansell et al.	2016/0038301 A1	2/2016	Wickham
2014/0142706 A1	5/2014	Hansell et al.	2016/0038304 A1	2/2016	Aquino et al.
2014/0148904 A1	5/2014	Robinson	2016/0045333 A1	2/2016	Baynham
2014/0163682 A1	6/2014	Lott	2016/0051373 A1	2/2016	Faulhaber
2014/0163683 A1	6/2014	Seifert et al.	2016/0051374 A1	2/2016	Faulhaber
2014/0172103 A1	6/2014	O'Neil et al.	2016/0051376 A1	2/2016	Serhan et al.
2014/0172105 A1	6/2014	Frasier et al.	2016/0058573 A1	3/2016	DiMauro et al.
2014/0172106 A1	6/2014	To et al.	2016/0067055 A1	3/2016	Hawkins et al.
2014/0180421 A1	6/2014	Glerum et al.	2016/0074170 A1	3/2016	Rogers et al.
2014/0188225 A1	7/2014	Dmuschewsky	2016/0074175 A1	3/2016	O'Neil
2014/0228959 A1	8/2014	Niemiec et al.	2016/0081814 A1	3/2016	Baynham
2014/0236296 A1	8/2014	Wagner et al.	2016/0089247 A1	3/2016	Nichols et al.
2014/0243892 A1	8/2014	Choinski	2016/0100954 A1	4/2016	Rumi et al.
2014/0243981 A1	8/2014	Davenport et al.	2016/0106551 A1	4/2016	Grimberg et al.
2014/0243982 A1	8/2014	Miller	2016/0113776 A1	4/2016	Capote
2014/0249629 A1	9/2014	Moskowitz et al.	2016/0120662 A1	5/2016	Schaller
2014/0249630 A1	9/2014	Weiman	2016/0128843 A1	5/2016	Tsau et al.
2014/0257484 A1	9/2014	Flower et al.	2016/0199195 A1	7/2016	Hauck et al.
2014/0257486 A1	9/2014	Alheidt	2016/0199196 A1	7/2016	Serhan et al.
2014/0257494 A1	9/2014	Thorwarth et al.	2016/0228258 A1	8/2016	Schaller et al.
			2016/0235455 A1	8/2016	Wahl
			2016/0242929 A1	8/2016	Voellmicke et al.
			2016/0256291 A1	9/2016	Miller
			2016/0296342 A1	10/2016	Woods
			2016/0310296 A1	10/2016	DiMauro et al.
			2016/0317313 A1	11/2016	DiMauro

(56)

References Cited

U.S. PATENT DOCUMENTS

2016/0317317 A1 11/2016 Marchek et al.  
 2016/0317714 A1 11/2016 DiMauro et al.  
 2016/0331541 A1 11/2016 DiMauro et al.  
 2016/0331546 A1 11/2016 Lechmann et al.  
 2016/0331548 A1 11/2016 DiMauro et al.  
 2016/0338854 A1 11/2016 Serhan et al.  
 2016/0367265 A1 12/2016 Morgenstern Lopez  
 2016/0367380 A1 12/2016 DiMauro  
 2016/0374821 A1 12/2016 DiMauro et al.  
 2017/0000622 A1 1/2017 Thommen et al.  
 2017/0035578 A1 2/2017 DiMauro et al.  
 2017/0056179 A1 3/2017 Lorio  
 2017/0065427 A1 3/2017 Songer  
 2017/0071756 A1 3/2017 Slivka et al.  
 2017/0095341 A1 4/2017 Smith  
 2017/0100177 A1 4/2017 Kim  
 2017/0100255 A1 4/2017 Hleihil et al.  
 2017/0119542 A1 5/2017 Logan et al.  
 2017/0209284 A1 7/2017 Overes et al.  
 2017/0216045 A1 8/2017 Dewey et al.  
 2017/0216046 A1 8/2017 Greenhalgh et al.  
 2017/0266015 A1 9/2017 Overes et al.  
 2017/0290674 A1 10/2017 Olmos et al.  
 2017/0290675 A1 10/2017 Olmos et al.  
 2017/0290677 A1 10/2017 Olmos et al.  
 2017/0296352 A1 10/2017 Richerme et al.  
 2017/0304074 A1 10/2017 DiMauro et al.  
 2017/0367843 A1 12/2017 Eisen et al.  
 2017/0367844 A1 12/2017 Eisen et al.  
 2017/0367845 A1 12/2017 Eisen et al.  
 2018/0028200 A1 2/2018 O'Neil et al.  
 2018/0036141 A1 2/2018 Oneil et al.  
 2018/0055649 A1 3/2018 Kelly et al.  
 2018/0071111 A1 3/2018 Sharifi-Mehr et al.  
 2018/0078379 A1 3/2018 Serhan et al.  
 2018/0116811 A1 5/2018 Bernard et al.  
 2018/0161171 A1 6/2018 Frasier et al.  
 2018/0161175 A1 6/2018 Frasier et al.  
 2018/0193164 A1 7/2018 Shoshtaev  
 2018/0256360 A1 9/2018 Cain  
 2018/0256362 A1 9/2018 Slivka et al.  
 2018/0360616 A1 12/2018 Luu  
 2019/0008654 A1 1/2019 Thommen  
 2019/0021868 A1 1/2019 Ludwig et al.  
 2019/0083276 A1 3/2019 DiMauro  
 2019/0105171 A1 4/2019 Rogers et al.  
 2019/0117409 A1\* 4/2019 Shoshtaev ..... A61F 2/447  
 2019/0133785 A1 5/2019 Georges  
 2019/0142602 A1 5/2019 Olmos et al.  
 2019/0269521 A1\* 9/2019 Shoshtaev ..... A61F 2/4455  
 2019/0269522 A1 9/2019 Pavento et al.  
 2019/0336301 A1 11/2019 Engstrom  
 2019/0388238 A1 12/2019 Lechmann et al.  
 2020/0008950 A1 1/2020 Serhan et al.  
 2020/0015982 A1 1/2020 O'Neil  
 2020/0030114 A1 1/2020 Cain  
 2020/0078192 A1 3/2020 Marchek et al.  
 2020/0121473 A1 4/2020 Gamache et al.  
 2020/0129307 A1\* 4/2020 Hunziker ..... A61F 2/447  
 2020/0129308 A1 4/2020 Suedkamp et al.  
 2020/0297506 A1 9/2020 Olmos et al.  
 2020/0375754 A1 12/2020 Cain  
 2020/0375755 A1 12/2020 Cain  
 2020/0383799 A1 12/2020 Cain  
 2020/0405497 A1 12/2020 Olmos et al.  
 2020/0405500 A1 12/2020 Cain  
 2021/0000160 A1 1/2021 Olmos et al.  
 2021/0101585 A1\* 4/2021 Son ..... B60L 50/15  
 2021/0177619 A1 6/2021 Voellmicke et al.  
 2021/0186706 A1 6/2021 Spitler et al.  
 2021/0353427 A1 11/2021 Butler et al.  
 2022/0313450 A1\* 10/2022 Donohoe ..... A61F 2/447  
 2022/0401225 A1\* 12/2022 Miller ..... A61F 2/4611

2022/0409395 A1\* 12/2022 Hunziker ..... A61F 2/4611  
 2023/0019591 A1\* 1/2023 Rogers ..... A61F 2/4611  
 2023/0026598 A1\* 1/2023 Weiman ..... A61F 2/4455

FOREIGN PATENT DOCUMENTS

CA 2617872 A1 2/2007  
 CN 1177918 A 4/1998  
 CN 1383790 A 12/2002  
 CN 1819805 A 8/2006  
 CN 101031260 A 9/2007  
 CN 101087566 A 12/2007  
 CN 101185594 A 5/2008  
 CN 101631516 A 1/2010  
 CN 101909548 A 12/2010  
 CN 101951847 A 1/2011  
 CN 102164552 A 8/2011  
 CN 103620249 A 3/2014  
 CN 104023674 A 9/2014  
 CN 104023675 A 9/2014  
 CN 104042366 A 9/2014  
 CN 104822332 A 8/2015  
 CN 104921848 A 9/2015  
 CN 104939876 A 9/2015  
 CN 105025846 A 11/2015  
 CN 105188582 A 12/2015  
 CN 204971722 U 1/2016  
 CN 105769391 A 7/2016  
 CN 105769392 A 7/2016  
 CN 107205829 A 9/2017  
 DE 2804936 8/1979  
 DE 2804936 A1 8/1979  
 DE 3023353 A1 4/1981  
 DE 3801459 A1 8/1989  
 DE 3911610 10/1990  
 DE 3911610 A1 10/1990  
 DE 4012622 C1 7/1991  
 DE 9407806 U1 7/1994  
 DE 4012622 7/1997  
 DE 19710392 C1 7/1999  
 DE 19832798 C1 11/1999  
 DE 20101793 U1 5/2001  
 DE 202006005868 U1 6/2006  
 DE 202008001079 3/2008  
 DE 202008001079 U1 3/2008  
 DE 10357960 B4 9/2015  
 EP 0077159 A1 4/1983  
 EP 0260044 A1 3/1988  
 EP 0270704 A1 6/1988  
 EP 282161 9/1988  
 EP 0282161 A1 9/1988  
 EP 0433717 A1 6/1991  
 EP 0509084 A1 10/1992  
 EP 0525352 A1 2/1993  
 EP 0529275 A2 3/1993  
 EP 0609084 A2 8/1994  
 EP 0611557 A2 8/1994  
 EP 0621020 A1 10/1994  
 EP 0625336 A2 11/1994  
 EP 678489 10/1995  
 EP 0678489 A1 10/1995  
 EP 0743045 A2 11/1996  
 EP 0853929 A2 7/1998  
 EP 1046376 A1 10/2000  
 EP 1121906 A2 8/2001  
 EP 1157676 A1 11/2001  
 EP 1283026 A2 2/2003  
 EP 1290985 3/2003  
 EP 1290985 A2 3/2003  
 EP 1308132 A2 5/2003  
 EP 1374784 A1 1/2004  
 EP 1378205 A1 1/2004  
 EP 1405602 A1 4/2004  
 EP 1532949 5/2005  
 EP 1532949 A1 5/2005  
 EP 1541096 6/2005  
 EP 1541096 A1 6/2005  
 EP 1605836 A1 12/2005  
 EP 1385449 B1 7/2006

(56)

## References Cited

## FOREIGN PATENT DOCUMENTS

EP	1683593	7/2006	WO	91/09572	A1	7/1991	
EP	1683593	A2	7/2006	WO	92/04423	A2	3/1992
EP	1698305	A1	9/2006	WO	92/07594	A1	5/1992
EP	1698305	B1	8/2007	WO	92/14423	A1	9/1992
EP	1829486	A1	9/2007	WO	93/04634	A1	3/1993
EP	1843723	A1	10/2007	WO	93/04652	A1	3/1993
EP	1845874	A1	10/2007	WO	93/17669	A1	9/1993
EP	1924227	A2	5/2008	WO	94/04100	A1	3/1994
EP	1925272		5/2008	WO	94/04100		3/1994
EP	2156812	A1	2/2010	WO	95/31158		11/1995
EP	1843723		3/2010	WO	95/31158		11/1995
EP	2331023	A2	6/2011	WO	96/28100	A1	9/1996
EP	2368529		9/2011	WO	97/00054	A1	1/1997
EP	2368529	A1	9/2011	WO	97/00054		1/1997
EP	2237748	B1	9/2012	WO	97/26847	A1	7/1997
EP	2641571	A1	9/2013	WO	98/34552	A1	8/1998
EP	2705809	A1	3/2014	WO	98/34568	A1	8/1998
EP	2764851		8/2014	WO	99/02214	A1	1/1999
EP	2764851	A1	8/2014	WO	99/26562	A1	6/1999
EP	2645965	B1	8/2016	WO	99/42062	A1	8/1999
EP	3366263	A1	8/2018	WO	99/52478	A1	10/1999
ES	2361099	A1	6/2011	WO	99/53871	A1	10/1999
FR	2634260	A1	1/1990	WO	99/53871		10/1999
FR	2649311	A1	1/1991	WO	99/60956	A1	12/1999
FR	2699065	A1	6/1994	WO	99/62417	A1	12/1999
FR	2712486	A1	5/1995	WO	99/63914	A1	12/1999
FR	2718635		10/1995	WO	00/12033		3/2000
FR	2718635	A1	10/1995	WO	00/13620	A1	3/2000
FR	2728778	A1	7/1996	WO	00/12033		3/2000
FR	2730159		8/1996	WO	00/24343	A1	5/2000
FR	2730159	A1	8/1996	WO	00/67652		5/2000
FR	2745709	A1	9/1997	WO	00/44288	A1	8/2000
FR	2800601	A1	5/2001	WO	00/53127	A1	9/2000
FR	2801189	A1	5/2001	WO	00/53127		9/2000
FR	2808182	A1	11/2001	WO	00/67650	A1	11/2000
FR	2874814		3/2006	WO	00/67651	A1	11/2000
FR	2874814	A1	3/2006	WO	00/74605	A1	12/2000
FR	2913331	A1	9/2008	WO	00/74605		12/2000
FR	2948277		1/2011	WO	00/76409	A1	12/2000
FR	3026294		4/2016	WO	00/76409		12/2000
GB	2157788	A	10/1985	WO	01/01893	A1	1/2001
GB	2173565	A	10/1986	WO	01/01895	A1	1/2001
JP	64-052439	A	2/1989	WO	01/01893		1/2001
JP	06-500039	A	1/1994	WO	01/01895		1/2001
JP	06-319742	A	11/1994	WO	01/10316	A1	2/2001
JP	07-502419	A	3/1995	WO	01/12054	A2	2/2001
JP	07-184922	A	7/1995	WO	01/17464	A1	3/2001
JP	07-213533	A	8/1995	WO	01/17464		3/2001
JP	10-085232	A	4/1998	WO	01/17464		3/2001
JP	11-089854	A	4/1999	WO	01/80751	A1	11/2001
JP	2003-010197	A	1/2003	WO	01/95838	A1	12/2001
JP	2003-126266	A	5/2003	WO	02/03870	A1	1/2002
JP	2003-526457		9/2003	WO	02/17824	A2	3/2002
JP	2003-526457	A	9/2003	WO	02/17825	A2	3/2002
JP	2005-524472	A	8/2005	WO	02/30338	A1	4/2002
JP	2006-501901	A	1/2006	WO	02/43601	A2	6/2002
JP	2006-516456		7/2006	WO	02/43628	A1	6/2002
JP	2007-054666	A	3/2007	WO	02/45627	A1	6/2002
JP	2007-530243	A	11/2007	WO	02/47563	A1	6/2002
JP	2008-507363	A	3/2008	WO	02/71921	A2	9/2002
JP	2008-514362	A	5/2008	WO	02/85250	A2	10/2002
JP	2008-126085	A	6/2008	WO	03/02021	A2	1/2003
JP	2011-509766	A	3/2011	WO	03/05937	A1	1/2003
JP	2011-520580	A	7/2011	WO	03/07854	A1	1/2003
JP	2012-020153	A	2/2012	WO	03/20169	A2	3/2003
JP	2012-508048	A	4/2012	WO	03/21308	A2	3/2003
JP	4988203	B2	8/2012	WO	03/22165	A1	3/2003
JP	2013-508031		3/2013	WO	03/28587	A2	4/2003
JP	5164571	B2	3/2013	WO	03/43488	A2	5/2003
JP	2013-516206	A	5/2013	WO	03/03951	A1	6/2003
JP	2014-502867	A	2/2014	WO	2003/101308	A1	12/2003
JP	2015-500707	A	1/2015	WO	2004/008949	A2	1/2004
JP	2015-525652	A	9/2015	WO	03/59180	A2	3/2004
JP	2017-505196	A	2/2017	WO	2004/030582	A2	4/2004
KR	20-0290058	Y1	9/2002	WO	2004/034924	A2	4/2004
				WO	2004/062505	A1	7/2004
				WO	2004/064603	A2	8/2004
				WO	2004/069033	A2	8/2004
				WO	2004/073563	A2	9/2004
				WO	2004/078220	A2	9/2004
				WO	2004/078221	A2	9/2004

(56)

## References Cited

## FOREIGN PATENT DOCUMENTS

WO 2004/080316 A1 9/2004  
 WO 2004/082526 A2 9/2004  
 WO 2004/098420 A2 11/2004  
 WO 2004/098453 A2 11/2004  
 WO 2004/108022 A1 12/2004  
 WO 2005/027734 A2 3/2005  
 WO 2005/032433 A2 4/2005  
 WO 2005/039455 A1 5/2005  
 WO 2005/051246 A2 6/2005  
 WO 2005/081877 A2 9/2005  
 WO 2005/094297 A2 10/2005  
 WO 2005/112834 A2 12/2005  
 WO 2005/112835 A2 12/2005  
 WO 2005/115261 A1 12/2005  
 WO WO 2005/112834 12/2005  
 WO 2006/017507 A2 2/2006  
 WO 2006/044920 A2 4/2006  
 WO 2006/047587 A2 5/2006  
 WO 2006/047645 A2 5/2006  
 WO WO 2006/047587 5/2006  
 WO 2006/058079 A2 6/2006  
 WO 2006/058281 A2 6/2006  
 WO 2006/060420 A1 6/2006  
 WO 2006/063083 A1 6/2006  
 WO 2006/065419 A2 6/2006  
 WO 2006/066228 A2 6/2006  
 WO WO 2006/058281 6/2006  
 WO WO 2006/065419 6/2006  
 WO 2006/072941 A2 7/2006  
 WO 2006/078972 A2 7/2006  
 WO 2006/081843 A1 8/2006  
 WO WO 2006/081843 8/2006  
 WO 2006/108067 A2 10/2006  
 WO 2006/118944 A1 11/2006  
 WO 2007/009107 A2 1/2007  
 WO WO 2007/009107 1/2007  
 WO 2007/022194 A2 2/2007  
 WO 2007/028098 A2 3/2007  
 WO WO 2007/028098 3/2007  
 WO 2007/048012 A2 4/2007  
 WO WO 2007/048012 4/2007  
 WO 2007/067726 A2 6/2007  
 WO 2007/084427 A2 7/2007  
 WO 2007/119212 A2 10/2007  
 WO 2007/124130 A2 11/2007  
 WO 2008/005627 A2 1/2008  
 WO 2008/011378 A1 1/2008  
 WO 2008/044057 A1 4/2008  
 WO WO 2008/044057 4/2008  
 WO 2008/064842 A2 6/2008  
 WO 2008/070863 A2 6/2008  
 WO 2008/103781 A2 8/2008  
 WO 2008/103832 A2 8/2008  
 WO 2009/064787 A2 5/2009  
 WO WO 2009/064787 5/2009  
 WO 2009/092102 A1 7/2009  
 WO WO 2009/092102 7/2009  
 WO 2009/124269 A1 10/2009  
 WO WO 2009/124269 10/2009  
 WO 2009/143496 A1 11/2009  
 WO WO 2009/143496 11/2009  
 WO 2009/147527 A2 12/2009  
 WO 2009/152919 A1 12/2009  
 WO 2010/011348 A1 1/2010  
 WO 2010/054181 A1 5/2010  
 WO 2010/068725 A2 6/2010  
 WO WO 2010/068725 6/2010  
 WO 2010/075451 A1 7/2010  
 WO 2010/075555 A2 7/2010  
 WO 2010/088766 A1 8/2010  
 WO 2010/121002 A1 10/2010  
 WO 2010/125514 A1 11/2010  
 WO 2010/136170 A1 12/2010  
 WO 2010/148112 A1 12/2010  
 WO WO 2010/148112 12/2010

WO 2011/013047 A2 2/2011  
 WO 2011/046459 A1 4/2011  
 WO 2011/046460 A1 4/2011  
 WO 2011/060087 A1 5/2011  
 WO 2011/079910 A2 7/2011  
 WO 2011/119617 A1 9/2011  
 WO 2011/142761 A1 11/2011  
 WO WO 2011/142761 11/2011  
 WO 2011/150350 A1 12/2011  
 WO 2012/009152 A1 1/2012  
 WO WO 2012/009152 1/2012  
 WO 2012/027490 A2 3/2012  
 WO 2012/028182 A1 3/2012  
 WO 2012/030331 A1 3/2012  
 WO 2012/089317 A1 7/2012  
 WO WO 2012/089317 7/2012  
 WO 2012/103254 A2 8/2012  
 WO 2012/122294 A1 9/2012  
 WO 2012/129197 A1 9/2012  
 WO 2012/135764 A1 10/2012  
 WO WO 2012/135764 10/2012  
 WO 2013/006669 A2 1/2013  
 WO WO 2013/006669 1/2013  
 WO 2013/023096 A1 2/2013  
 WO 2013/025876 A1 2/2013  
 WO WO 2013/023096 2/2013  
 WO WO 2013/025876 2/2013  
 WO 2013/043850 A2 3/2013  
 WO 2013/062903 A1 5/2013  
 WO WO 2013/043850 5/2013  
 WO WO 2013/062903 5/2013  
 WO 2013/082184 A1 6/2013  
 WO WO 2013/082184 6/2013  
 WO 2013/148176 A1 10/2013  
 WO 2013/149611 A1 10/2013  
 WO 2013/158294 A1 10/2013  
 WO WO 2013/158294 10/2013  
 WO 2013/173767 A1 11/2013  
 WO WO 2013/173767 11/2013  
 WO 2013/184946 A1 12/2013  
 WO WO 2013/184946 12/2013  
 WO 2014/014610 A1 1/2014  
 WO 2014/018098 A1 1/2014  
 WO WO 2014/018098 1/2014  
 WO 2014/026007 A1 2/2014  
 WO WO 2014/026007 2/2014  
 WO 2014/035962 A1 3/2014  
 WO WO 2014/035962 3/2014  
 WO 2014/088521 A2 6/2014  
 WO WO 2014/088521 6/2014  
 WO 2014/116891 A1 7/2014  
 WO WO 2014/116891 7/2014  
 WO 2014/144696 A1 9/2014  
 WO 2015/004660 A1 1/2015  
 WO 2015/013479 A2 1/2015  
 WO 2015/022039 A1 2/2015  
 WO 2015/048997 A1 4/2015  
 WO 2016/069796 A1 5/2016  
 WO 2016/118246 A1 7/2016  
 WO 2016/127139 A1 8/2016  
 WO 2017/040881 A1 3/2017  
 WO 2017/136620 A1 8/2017  
 WO 2018/078148 A1 5/2018

## OTHER PUBLICATIONS

Brochure for PERPOS PLS System Surgical Technique by Interventional Spine, 2008, 8 pages.  
 Brooks et al., "Efficacy of Supplemental Posterior Transfacet Pedicle Device Fixation in the Setting of One- or Two-Level Anterior Lumbar Interbody Fusion", Retrieved Jun. 19, 2017, 6 pages.  
 Chiang, "Biomechanical Comparison of Instrumented Posterior Lumbar Interbody Fusion with One or Two Cages by Finite Element Analysis", Spine, Sep. 2006, pp. E682-E689, vol. 31(19), Lippincott Williams & Wilkins, Inc.  
 Chin, "Early Results of the Triage Medical Percutaneous Transfacet Pedicular Bone-Lok Compression Device for Lumbar Fusion", Accessed online Jul. 10, 2017, 10 pages.

(56)

## References Cited

## OTHER PUBLICATIONS

- Fuchs, "The use of an interspinous implant in conjunction with a graded facetectomy procedure", *Spine* vol. 30, No. 11, pp. 1266-1272, 2005.
- Gore, "Technique of Cervical Interbody Fusion", *Clinical Orthopaedics and Related Research*, Sep. 1984, pp. 191-195, No. 188.
- Gray's Anatomy, Crown Publishers, Inc., 1977, pp. 33-54.
- Hoogland et al., "Total Lumbar Intervertebral Disc Replacement: Testing a New Articulating Space in Human Cadaver Spines—24 1", Annual ORS, Dallas, TX, Feb. 21-23, 1978, 8 pages.
- Hunt, "Expandable Cage Placement Via a Posterolateral Approach in Lumbar Spine Reconstructions", *Journal of Neurosurgery: Spine*, Sep. 2006, pp. 271-274, vol. 5.
- Ipreburg et al., "Transforaminal Endoscopic Surgery in Lumbar Disc Herniation in an Economic crises—The Tessys Method", *US Musculoskeletal*, 2008, pp. 47-49.
- King., "Internal Fixation for Lumbosacral Fusion", *The Journal of Bone and Joint Surgery, J. Bone Joint Surg. Am.*, 1948; 30: 560-578.
- Krbec, "Replacement of the Vertebral Body with an Expansion Implant (Synex)", *Acta Chir Orthop Traumatol Cech*, 2002, pp. 158-162, vol. 69(3).
- Mahar et al., "Biomechanical Comparison of Novel Percutaneous Transfacet Device and a Traditional Posterior System for Single Level Fusion", *Journal of Spinal Disorders & Techniques*, Dec. 2006, vol. 19, No. 8, pp. 591-594.
- Medco Forum, "Percutaneous Lumbar Fixation Via PERPOS PLS System Interventional Spine", Sep. 2008, vol. 15, No. 37.
- Medco Forum, "Percutaneous Lumbar Fixation via PERPOS System From Interventional Spine", Oct. 2007, vol. 14, No. 49.
- Morgenstern, "Transforaminal Endoscopic Stenosis Surgery—A Comparative Study of Laser and Reamed Foraminoplasty", in *European Musculoskeletal Review*, Issue 1, 2009.
- Niosi, "Biomechanical Characterization of the three-dimensional kinematic behavior of the dynesys dynamic stabilization system: an in vitro study", *Eur Spine J.* (2006), 15: pp. 913-922.
- ProMap TM EMG Navigation Probe. Technical Brochure Spineology Inc, Dated May 2009.
- Shin, "Posterior Lumbar Interbody Fusion via a Unilateral Approach", *Yonsei Medical Journal*, 2006, pp. 319-325, vol. 47(3).
- Siddiqui, "The Positional Magnetic Resonance Imaging Changes in the Lumbar Spine Following Insertion of a Novel Interspinous Process Distraction Device", *Spine*, vol. 30, No. 23, pp. 2677-2682, 2005.
- Talwar "Insertion loads of the X Stop interspinous process distraction system designed to treat neurogenic intermittent claudication", *Eur Spine J.* (2006) 15: pp. 908-912.
- U.S. Appl. No. 60/424,055, filed Nov. 5, 2002, entitled Method and apparatus for spinal fixation.
- U.S. Appl. No. 60/397,588, Method and apparatus for spinal fixation, filed Jul. 19, 2002.
- U.S. Appl. No. 61/675,975, Expandable Implant, filed Jul. 26, 2012.
- U.S. Appl. No. 60/942,998, Method and Apparatus for Spinal Stabilization, filed Jun. 8, 2007.
- U.S. Appl. No. 14/640,220, filed Mar. 6, 2015, entitled Expandable Intervertebral Implant.
- U.S. Appl. No. 14/685,358, filed Apr. 13, 2015, entitled Expandable Intervertebral Implant.
- U.S. Appl. No. 14/685,402, filed Apr. 13, 2015, entitled Expandable Intervertebral Implant.
- U.S. Appl. No. 14/790,866, filed Jul. 2, 2015, entitled Expandable Implant.
- U.S. Appl. No. 60/794,171, filed Apr. 21, 2006, entitled Method and Apparatus for Spinal Fixation.
- Zucherman, "A Multicenter, Prospective, Randomized Trial Evaluating the X Stop Interspinous Process Decompression System for the Treatment of Neurogenic Intermittent Claudication", *Spine*, vol. 30, No. 12, pp. 1351-1358, 2005.
- International Patent Application No. PCT/US2013/029014, International Search Report dated Jul. 1, 2013, 2 pages.
- Bruder et al., Identification and characterization of a cell surface differentiation antigen on human osteoprogenitor cells. 42nd Annual Meeting of the Orthopaedic Research Society. p. 574, Feb. 19-22, 1996, Atlanta, Georgia.
- Bruder et al., Monoclonal antibodies reactive with human osteogenic cell surface antigens. *Bone*. Sep. 1997;21 (3):225-235.
- Burkoth et al., A review of photocrosslinked polyanhydrides: in situ forming degradable networks. *Biomaterials*. Dec. 2000; 21 (23): 2395-2404.
- Cambridge Scientific News, FDA Approves Cambridge Scientific, Inc.'s Orthopedic Wisorb (TM) Malleolar Screw [online], Jul. 30, 2002 [retrieved on Oct. 14, 2003]. Retrieved from the Internet <URL: <http://www.cambridgescientificinc.com>>.
- Carrino, John A., Roxanne Chan and Alexander R. Vaccaro, "Vertebral Augmentation: Vertebroplasty and Kyphoplasty", *Seminars in Roentgenology*, vol. 39, No. 1 Jan. 2004: pp. 68-84.
- Cheng, B.C., Ph.D., Biomechanical pullout strength and histology of Plasmapore Registered XP coated implants: Ovine multi time point survival study. Aesculap Implant Systems, LLC, 2013, 12 pages.
- Edeland, H.G., "Some Additional Suggestions For An Intervertebral Disc Prosthesis", *J of Bio Medical Engr.*, vol. 7(1) pp. 57-62, Jan. 1985.
- European Search Report EP03253921 dated Nov. 13, 2003, 4 pages.
- Flemming et al., Monoclonal antibody against adult marrow-derived mesenchymal stem cells recognizes developing vasculature in embryonic human skin. *Developmental Dynamics*. 1998;212:119-132.
- Gennaro, A.R., ed., Remington: The Science and Practice of Pharmacy. Williams & Wilkins, 19th edition, Jun. 1995.
- Ha et al. (Topographical characterization and microstructural interface analysis of vacuum-plasma-sprayed titanium and hydroxyapatite coatings on carbon fiber-reinforced poly(etheretherketone), *Journal of Materials Science: Materials in Science* 9 (1997), pp. 891-896.
- Haas, Norbert P., New Products from AO Development [online], May 2002 [retrieved on Oct. 14, 2003]. Retrieved from the Internet <URL: [http://www.ao.asif.ch/development/pdf\\_tk\\_news\\_02.pdf](http://www.ao.asif.ch/development/pdf_tk_news_02.pdf)>.
- Hao et al., Investigation of nanocomposites based on semi-interpenetrating network of [L-poly (epsilon-caprolactone)]/[net-poly (epsilon-caprolactone)] and hydroxyapatite nanocrystals. *Biomaterials*. Apr. 2003;24(9): 1531-9.
- Harsha et al., Tribo performance of polyaryletherketone composites, *Polymer Testing* (21) (2002) pp. 697-709.
- Haynesworth et al., Cell surface antigens on human marrow-derived mesenchymal cells are detected by monoclonal antibodies. *Bone*. 1992;13(1):69-80.
- Hitchon et al., Comparison of the biomechanics of hydroxyapatite and polymethylmethacrylate vertebroplasty in a cadaveric spinal compression fracture model. *J Neurosurg*. Oct. 2001;95(2 Suppl):215-20.
- Joshi, Ajeya P., M.D. and Paul A. Glazer, M.D., "Vertebroplasty: Current Concepts and Outlook for the Future", 2003, (5 pages), From: <http://www.orthojournalhms.org/html/pdfs/manuscript-15.pdf>.
- Kandziora, Frank, et al., "Biomechanical Analysis of Biodegradable Interbody Fusion Cages Augmented with Poly (propylene Glycol-co-Fumaric Acid)", *Spine*, 27(15): 1644-1651 (2002).
- Kotsias, A., Clinical trial of titanium-coated Peel cages anterior cervical discectomy and fusion. [Klinische Untersuchungen zum Einsatz von titanbeschichteten Polyetheretherketon-Implantaten bei der cervikalen interkorporalen fusion]. Doctoral thesis. Department of Medicine, Charite, University of Medicine Berlin, 2014, 73 pages. (German language document/Engl. summary).
- Kroschwitz et al., eds., Hydrogels. Concise Encyclopedia of Polymer Science and Engineering. Wiley and Sons, pp. 458-459, 1990.
- Lendlein et al., AB-polymer networks based on oligo(epsilon-caprolactone) segments showing shape-memory properties. *Proc Natl Acad Sci US A*. Jan. 30, 2001;98(3):842-7. Epub Jan. 23, 2001.
- Malberg. M.I., MD; Pimenta, L., MD; Millan, M.M., MD, 9th International Meeting on Advanced Spine Techniques, May 23-25, 2002, Montreux, Switzerland. Paper #54, Paper #60, and E-Poster #54, 5 pages.

(56)

## References Cited

## OTHER PUBLICATIONS

- McAfee et al., Minimally invasive anterior retroperitoneal approach to the lumbar spine: Emphasis on the lateral Bak. *Spine*. 1998;23(13):1476-84.
- Mendez et al., Self-curing acrylic formulations containing PMMA/PCL composites: properties and antibiotic release behavior. *J Biomed Mater Res*. Jul. 2002;61 (1 ):66-74.
- Nguyen et al., Poly(Aryl-Ether-Ether-Ketone) and its Advanced Composites: A Review, *Polymer Composites*, Apr. 1987, vol. 8, No. 2, pp. 57-73.
- Osteoset Registered DBM Pellets (Important Medical Information) [online], Nov. 2002 [retrieved on Oct. 14, 2003]. Retrieved from the Internet <URL: <http://www.wmt.com/Literature>>.
- Porocoat(R) Porous Coating, 1 Page, <https://emea.depuysynthese.com/hcp/hip/products/qs/porocoat-porous-coatingemea> Accessed on Jul. 31, 2017.
- Regan et al., Endoscopic thoracic fusion cage. *Atlas of Endoscopic Spine Surgery*. Quality Medical Publishing, Inc. 1995;350-354.
- Slivka et al., In vitro compression testing of fiber-reinforced, bioabsorbable, porous implants. *Synthetic Bioabsorbable Polymers for Implants*. STP1396, pp. 124-135, ATSM International, Jul. 2000.
- Sonic Accelerated Fracture Healing System/Exogen 3000. Premarket Approval. U.S. Food & Drug Administration. Date believed to be May 10, 2000. Retrieved Jul. 23, 2012 from <<http://www.accessdata.fda.gov/scripts/cdrh/cfdocs/cfPMA/pma.cfm?id=14736#>>. 4 pages, 2012.
- Stewart et al., Co-expression of the stro-1 anitgen and alkaline phosphatase in cultures of human bone and marrow cells. *ASBMR 18th Annual Meeting*. Bath Institute for Rheumatic Diseases, Bath, Avon, UK. Abstract No. P208, p. S142, 1996.
- Timmer et al., In vitro degradation of polymeric networks of poly(propylene fumarate) and the crosslinking macromer poly(propylene fumarate)-diacrylate. *Biomaterials*. Feb. 2003;24(4 ):571-7.
- United States District Court, Central District of California, Case No. 1 :10-CV-00849-LPS, *Nuvasive, Inc., vs., Globus Medical, Inc.*, Videotaped Deposition of: Luiz Pimenta, M.D., May 9, 2012, 20 pages.
- Walsh et al., Preparation of porous composite implant materials by in situ polymerization of porous apatite containing epsilon-caprolactone or methyl methacrylate. *Biomaterials*. Jun. 2001;22(11):1205-12.
- Zimmer.com, Longer BAK/L Sterile Interbody Fusion Devices. Date believed to be 1997. Product Data Sheet.Zimmer. Retrieved Jul. 23, 2012 from <<http://catalog.zimmer.com/contentUzpc/products/600/600/620/S20/S045.html>>, 2 pages.
- Allcock, "Polyphosphazenes"; *The Encyclopedia of Polymer Science*; 1988; pp. 31-41; vol. 13; Wiley Intersciences, John Wiley & Sons.
- CN Office Action dated Apr. 24, 2020 for ON Application No. 201780040910.
- Cohn, "Biodegradable PEO/PLA Block Copolymers"; *Journal of Biomedical Materials Research*; 1988; pp. 993-1009; vol. 22; John Wiley & Sons, Inc.
- Cohn, "Polymer Preprints"; *Journal of Biomaterials Research*; 1989; p. 498; *Biomaterials Research Laboratory, Casali Institute of Applied Chemistry, Israel*.
- Heller, "Poly (Otrho Esters)"; *Handbook of Biodegradable Polymers*; edited by Domb; et al; *Hardwood Academic Press*; 1997; pp. 99-118.
- Japanese Office Action for Application No. 2013-542047, dated Sep. 8, 2015 (12 pages).
- Japanese Office Action for Application No. 2016-135826, dated Jun. 6, 2017, (7 pages).
- Kambin, et al.; *Percutaneous Lateral Discectomy of the Lumbar Spine: A Preliminary Report*; *Clin. Orthop.*; 1983; 174: 127-132.
- Kemnitzer, "Degradable Polymers Derived From the Amino Acid L-Tyrosine"; 1997; pp. 251-272; edited by Domb, et al., *Hardwood Academic Press*.
- Khoo, "Minimally Invasive Correction of Grade I and II Isthmic Spondylolisthesis using AxiaLIF for L5/S1 Fusion", pp. 1-7, Rev B Sep. 15, 2008.
- Khoo, Axilif address spongy from the caudal approach. Minimally Invasive Correction of Grage I and II Isthmic Spondylolisthesis using AsiaLIF for L5/S1 Fusion, pp. 45-0123 Rev B Sep. 15, 2008.
- Krbec, "Replacement of the vertebral body with an expansion implant (Synex)", *Acta Chir Orthrop Traumatol Cech.*, 2002, pp. 158-162, vol. 69(3) (only Abstract available).
- U.S. Appl. No. 61/009,546, filed Dec. 28, 2007 Rodgers.
- U.S. Appl. No. 61/140,926, filed Dec. 26, 2008 Spann.
- U.S. Appl. No. 61/178,315, filed May 14, 2009 Spann.
- U.S. Appl. No. 09/558,057, filed Apr. 26, 2000, entitled Bone Fixation System.
- Vandorpe, "Biodegradable Polyphosphazenes for Biomedical Applications"; *Handbook of Biodegradable Polymers*; 1997; pp. 161-182; *Hardwood Academic Press*.
- International Patent Application No. PCT/US2013/029014, International Search Report dated Jul. 1, 2013, 7 pages.
- Folman, Posterior Lumbar Interbody Fusion for Degenerative Disc Disease Using a Minimally Invasive B-Twin Expandable Spinal Spacer, *Journal of Spinal Disorders & Techniques*, 2003, pp. 455-460, vol. 16(5).
- Polikeit, The importance of the endplate for interbody cages in the lumbar spine, *Eur Spine J*, 2003, pp. 556-561, vol. 12.
- Spine Solutions Brochure—Prodisc 2001, 16 pages.
- Link SB Charite Brochure—Intervertebral Prosthesis 1988, 29 pages.

\* cited by examiner



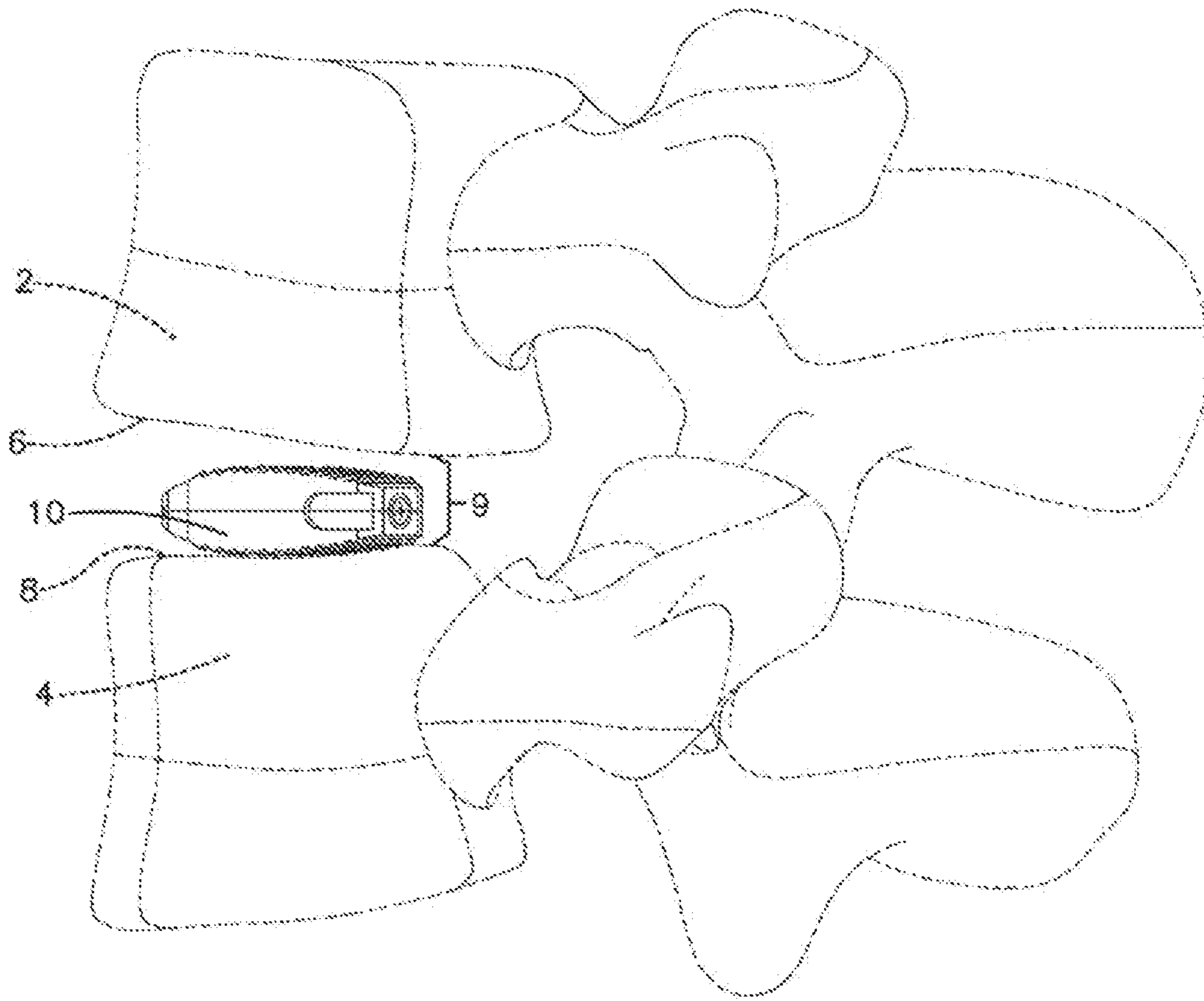


Fig.1

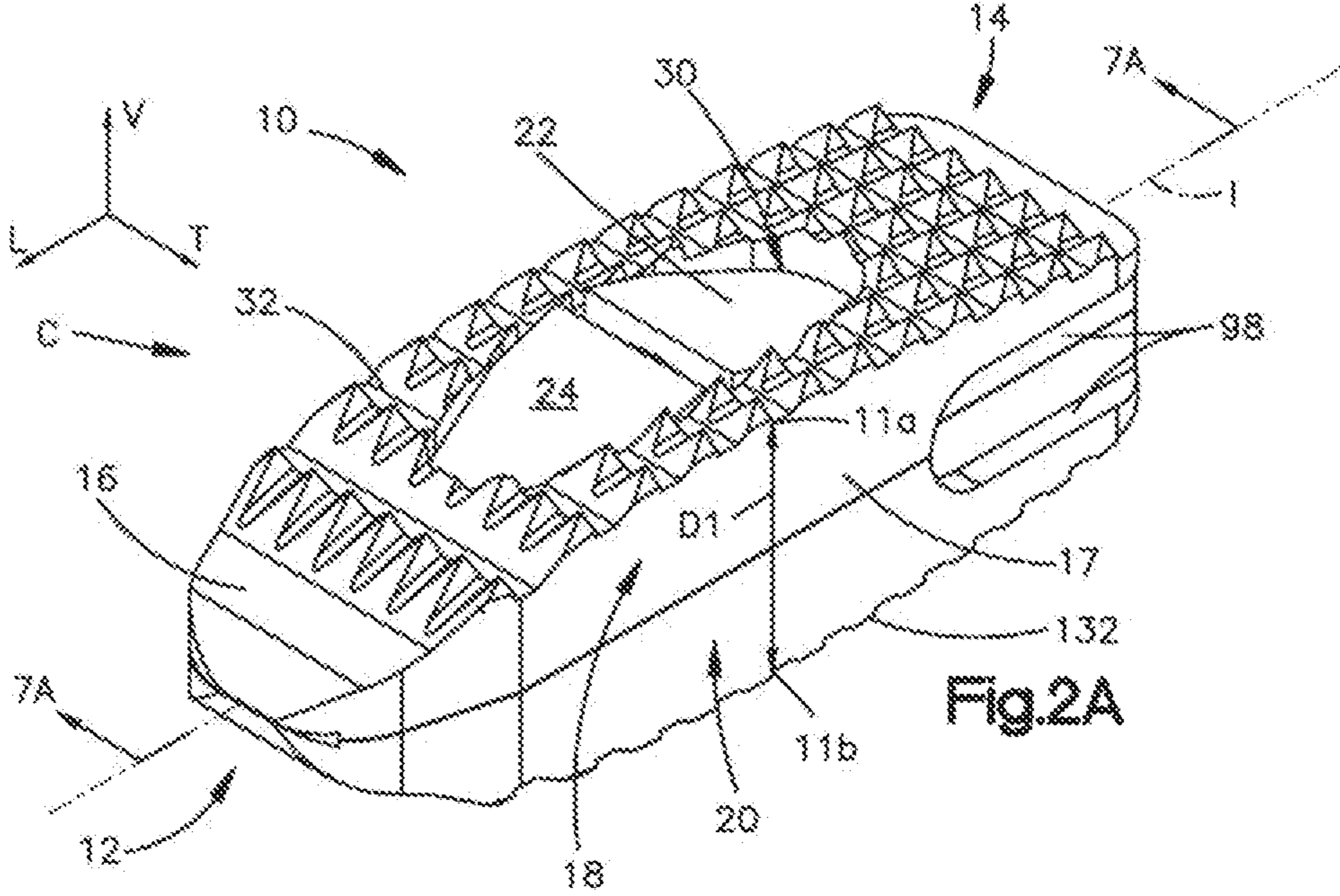


Fig.2A

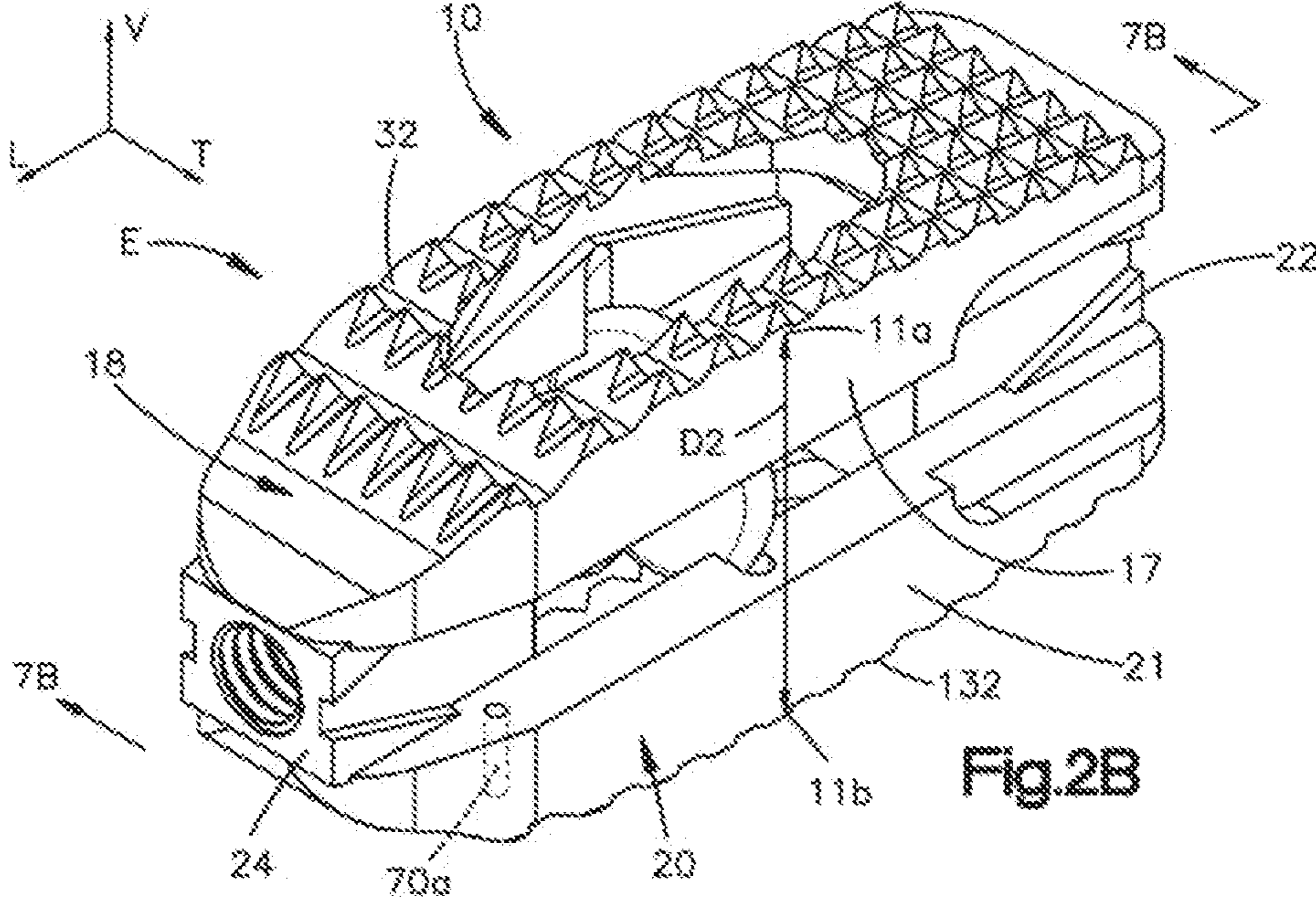
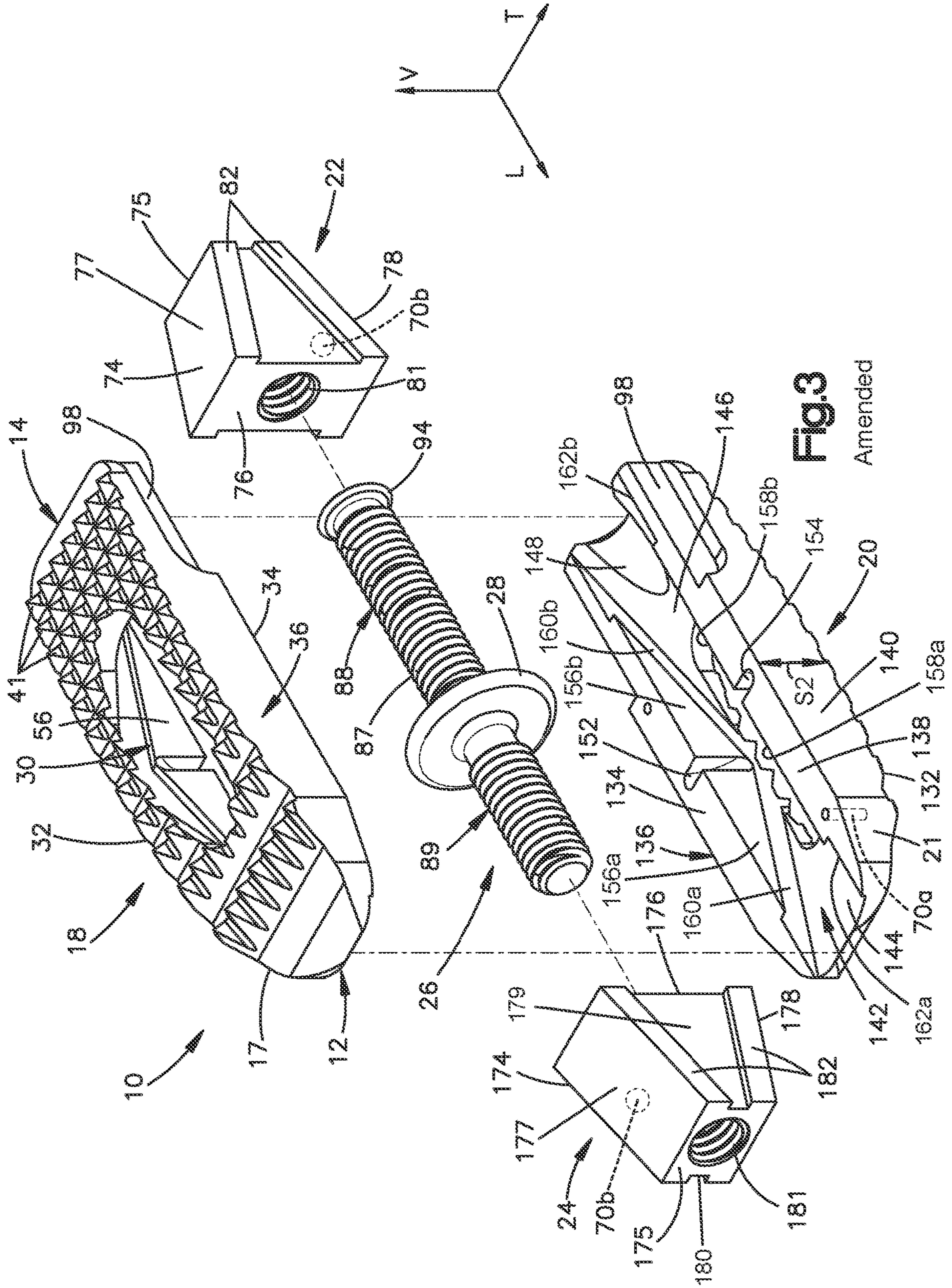
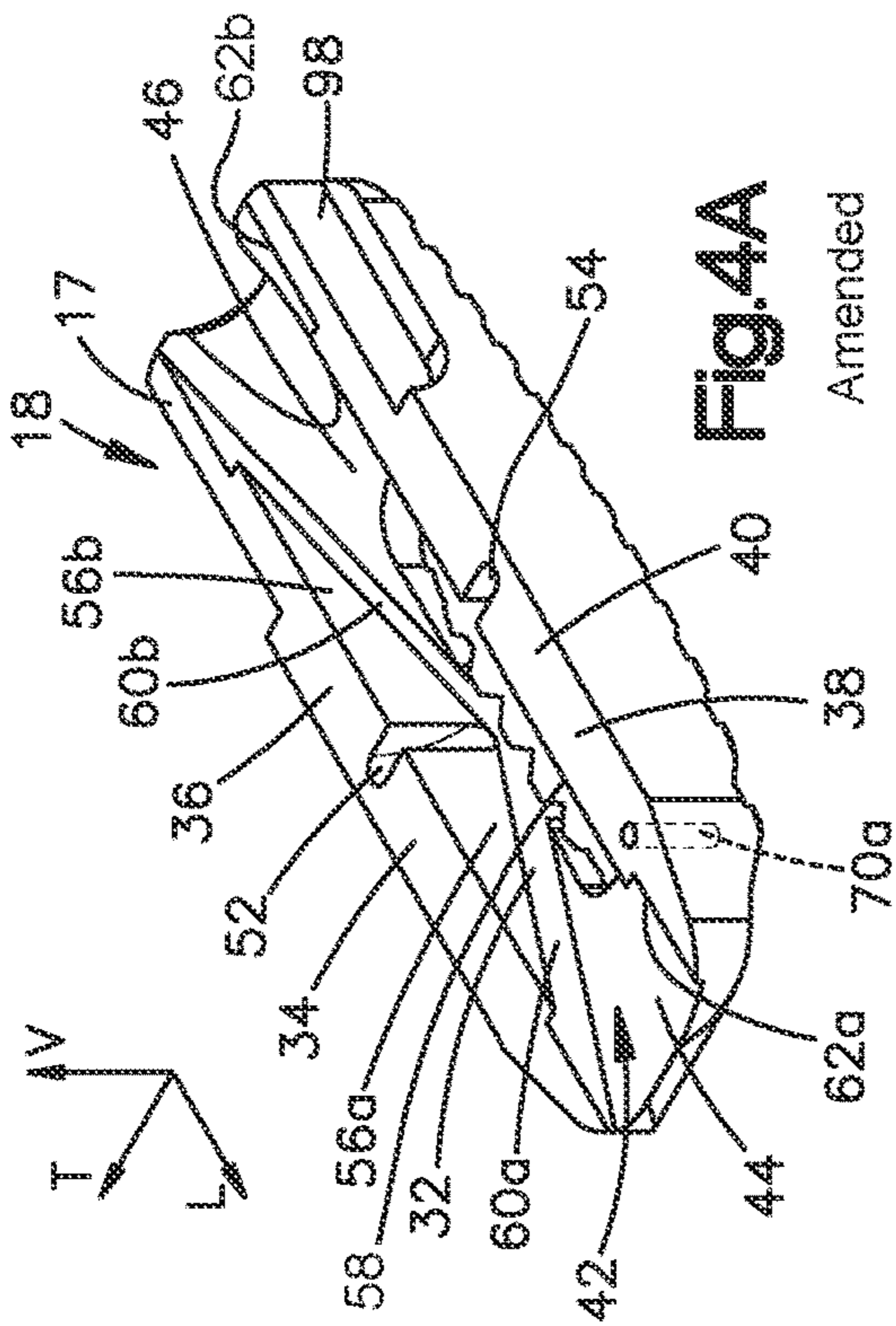


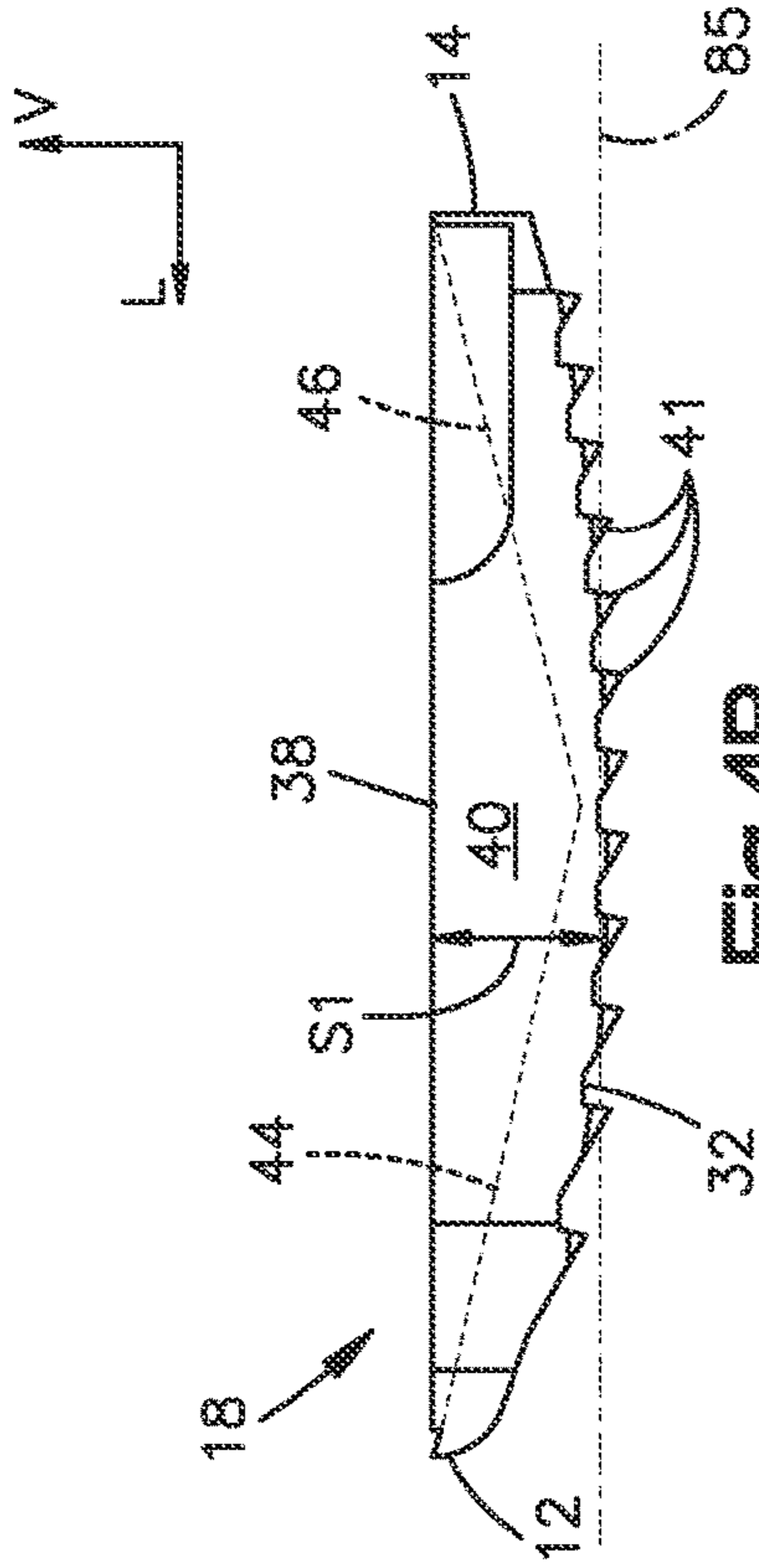
Fig.2B





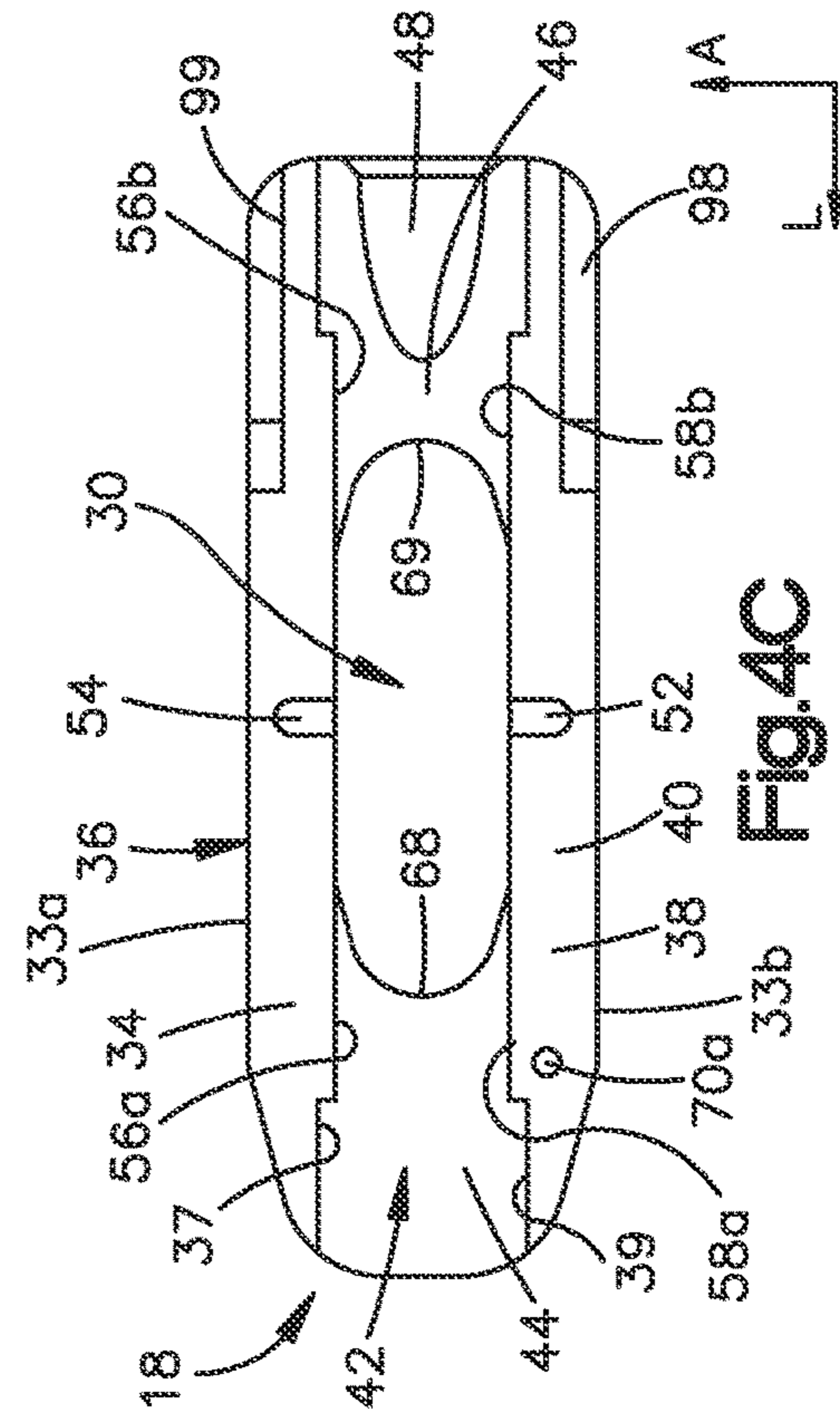
**Fig. 4A**

Amended



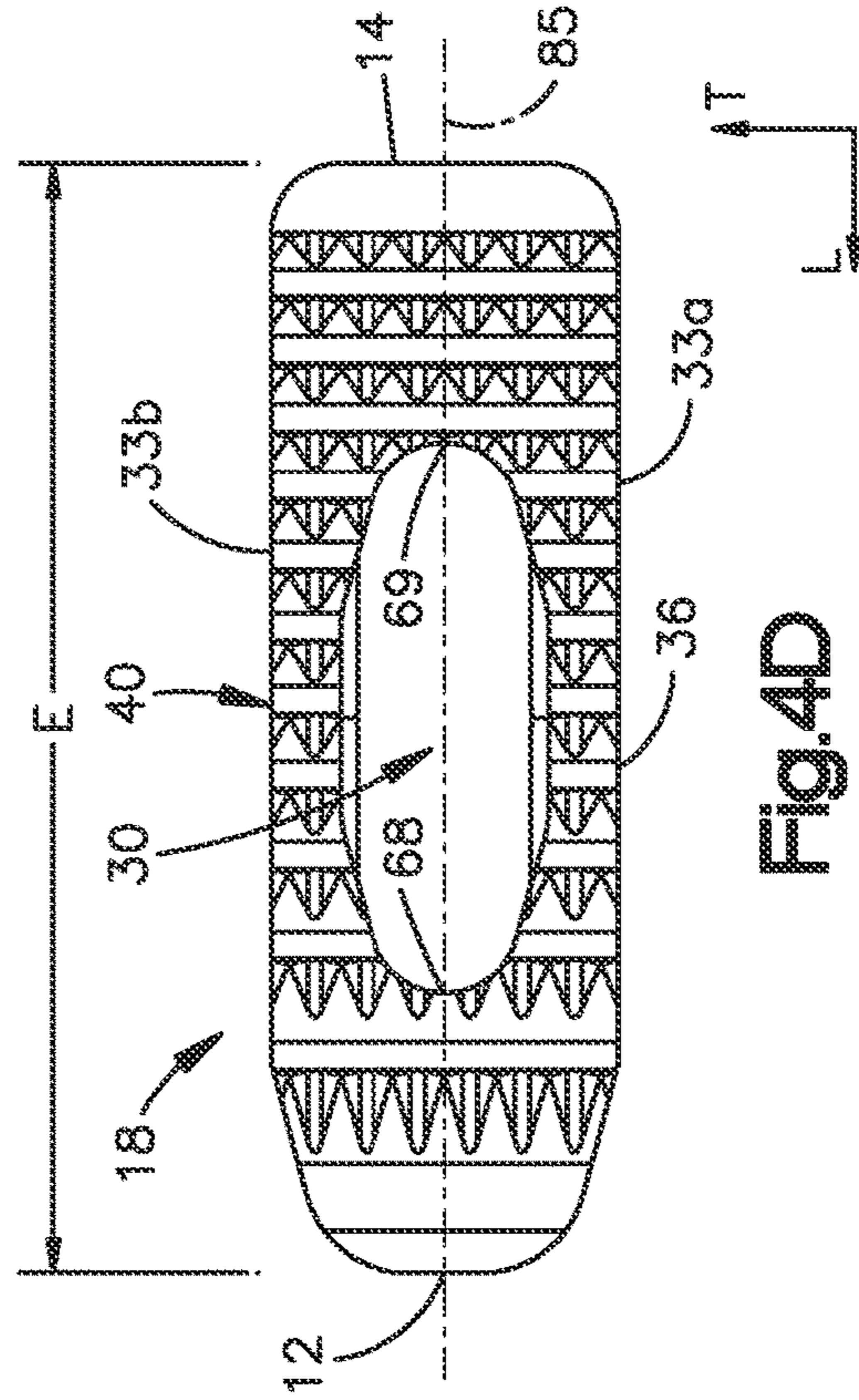
**Fig. 4B**

Amended



**Fig. 4C**

Amended



**Fig. 4D**

Amended

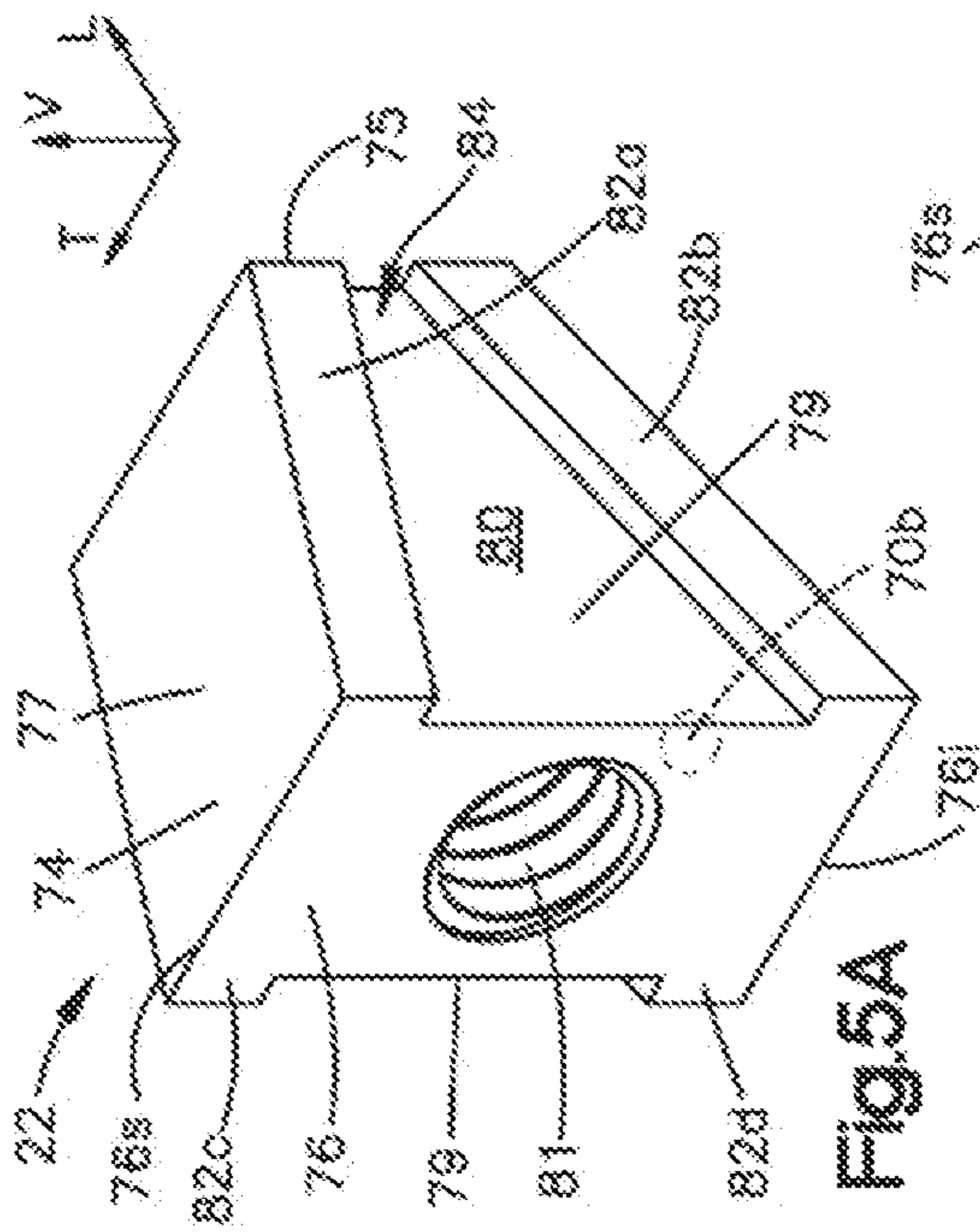


Fig. 5A

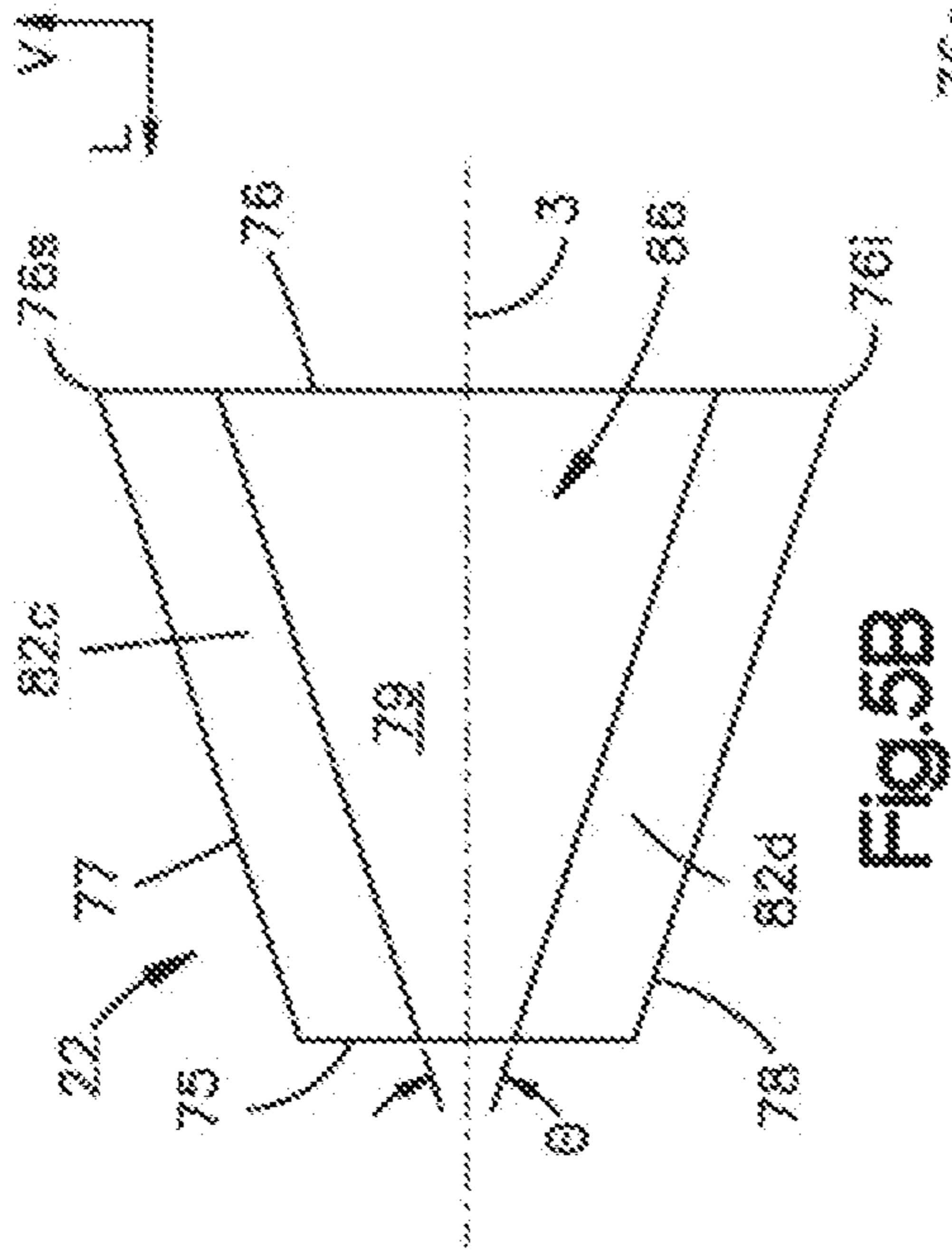


Fig. 5B

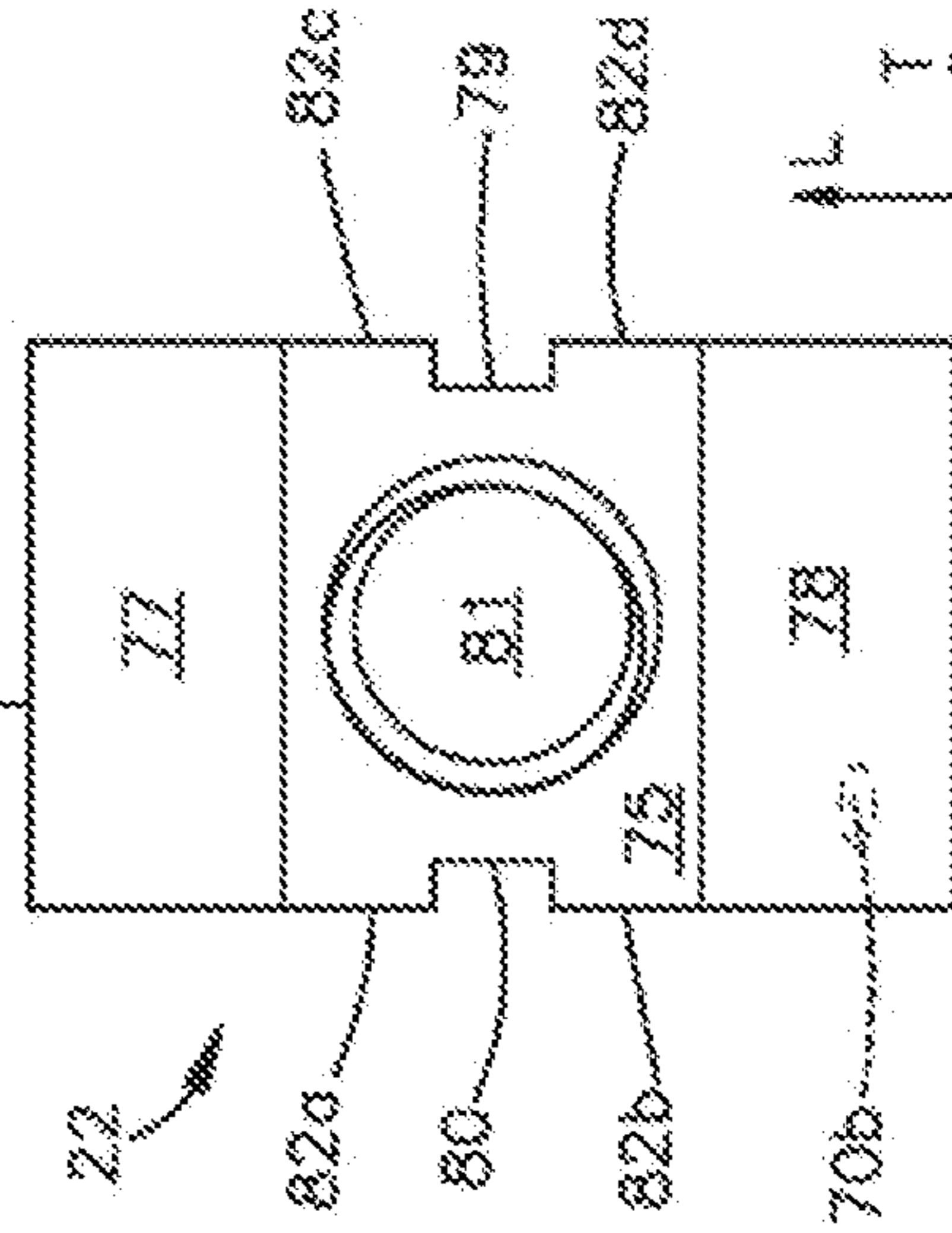


Fig. 5C

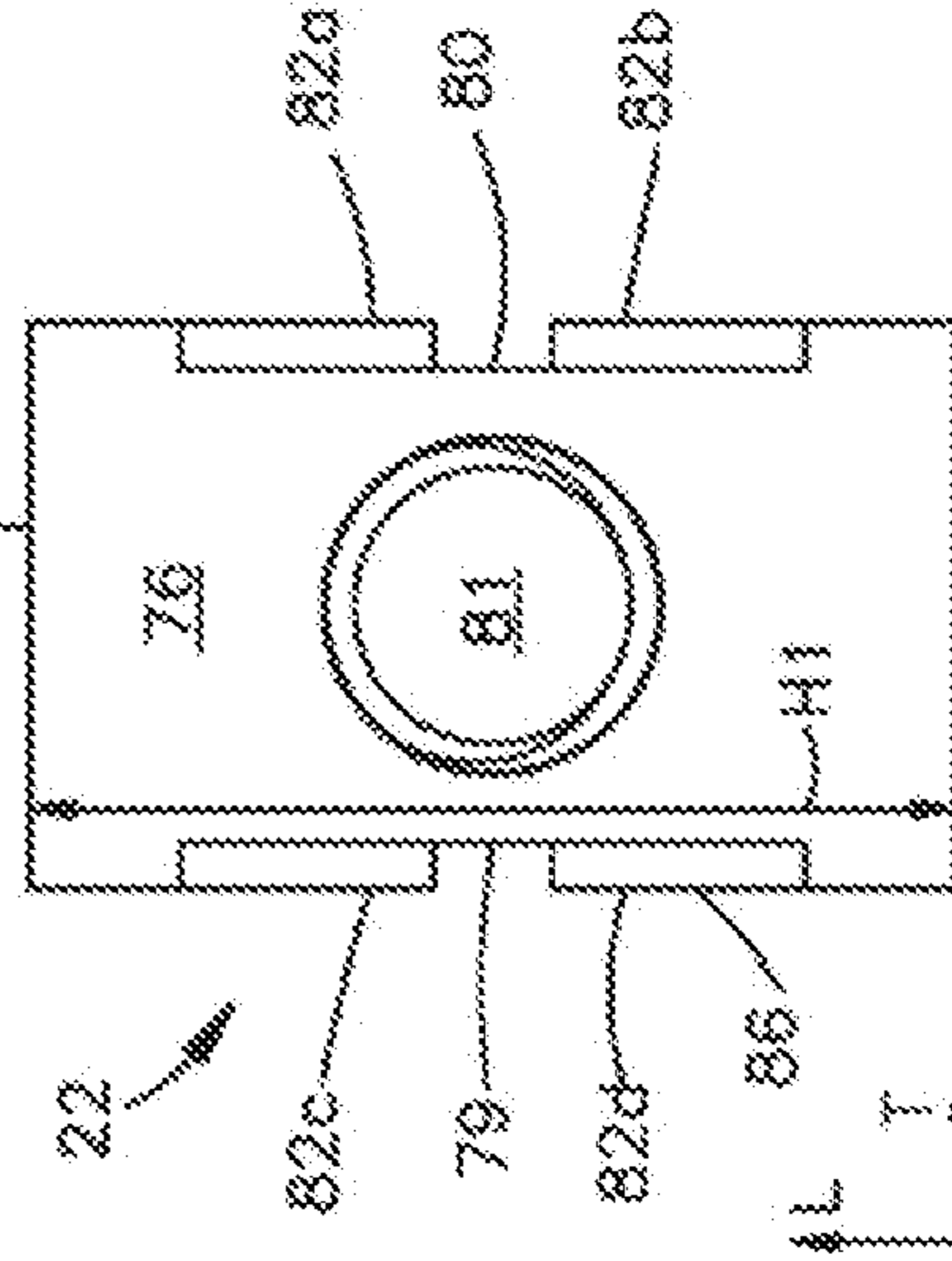


Fig. 5D

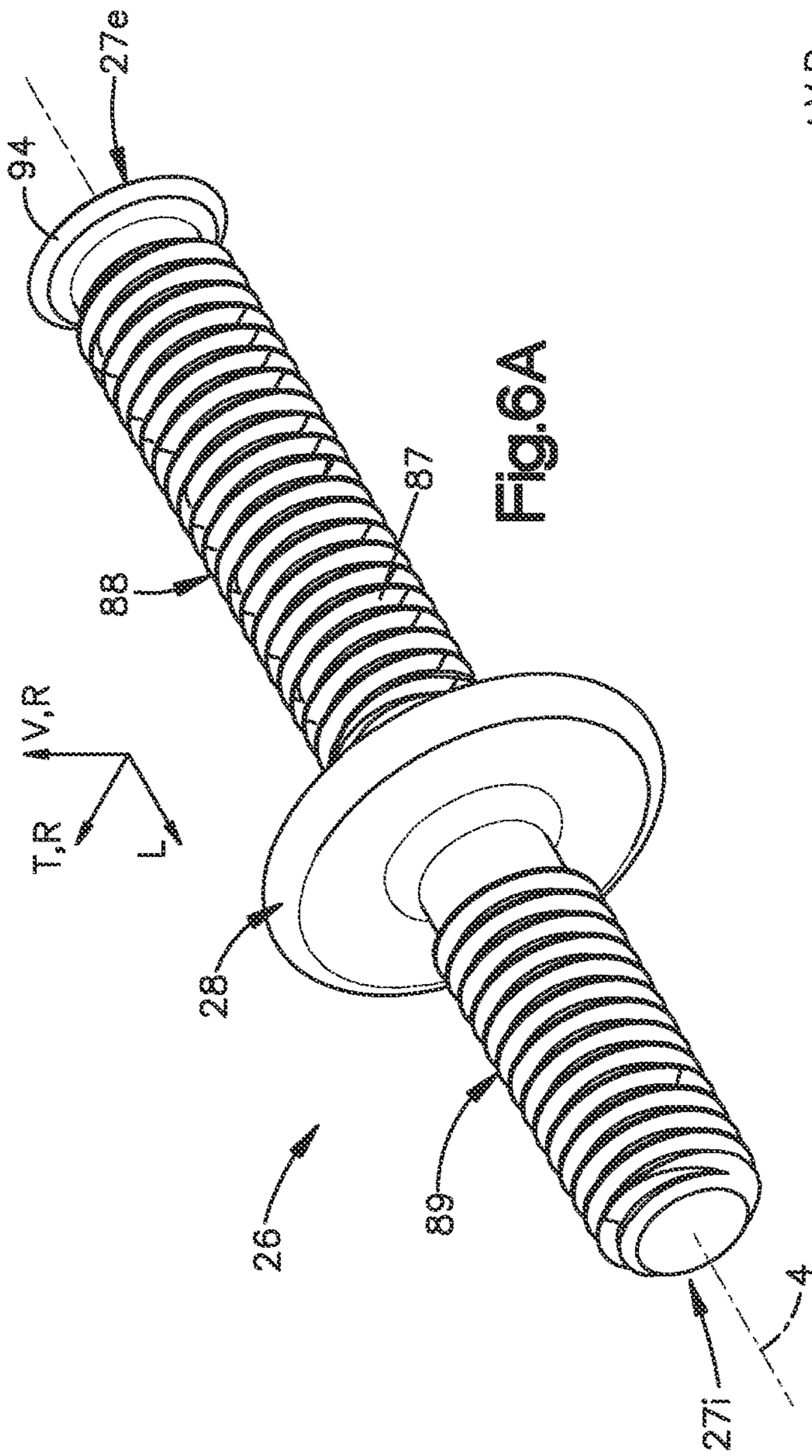


Fig.6A

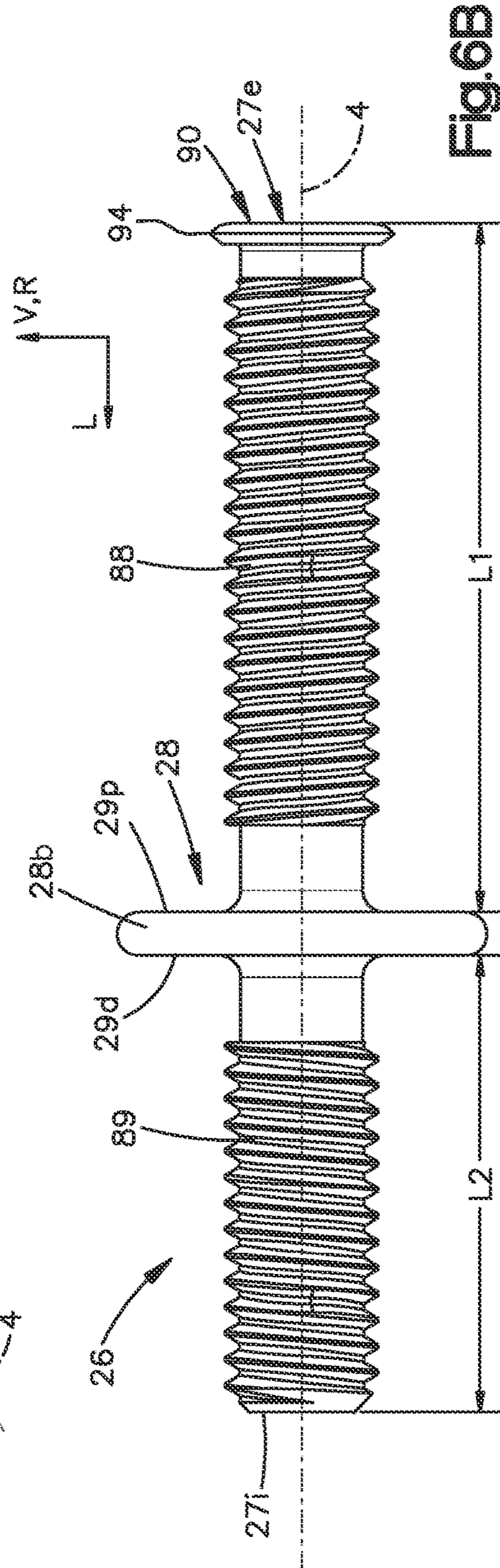
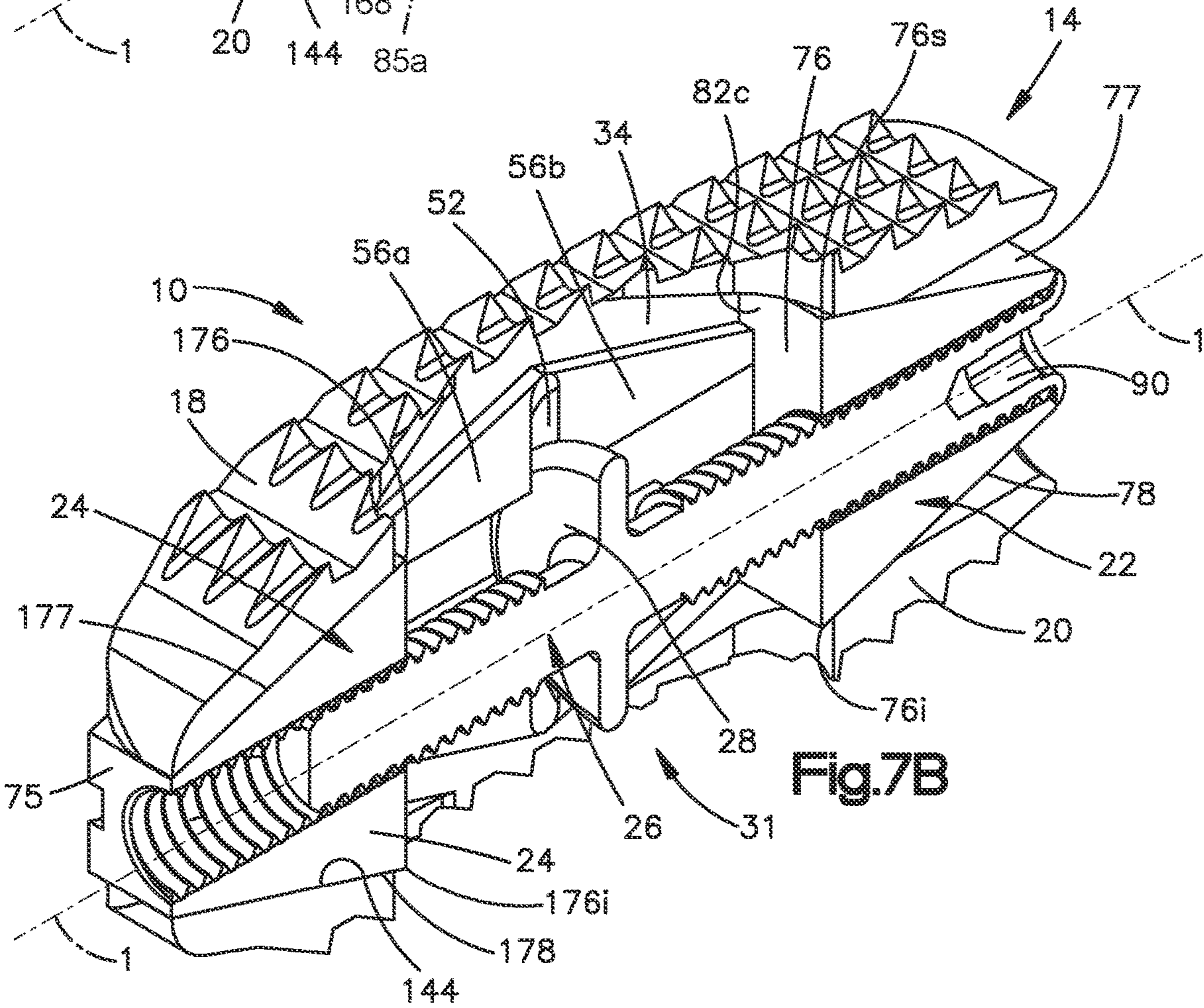
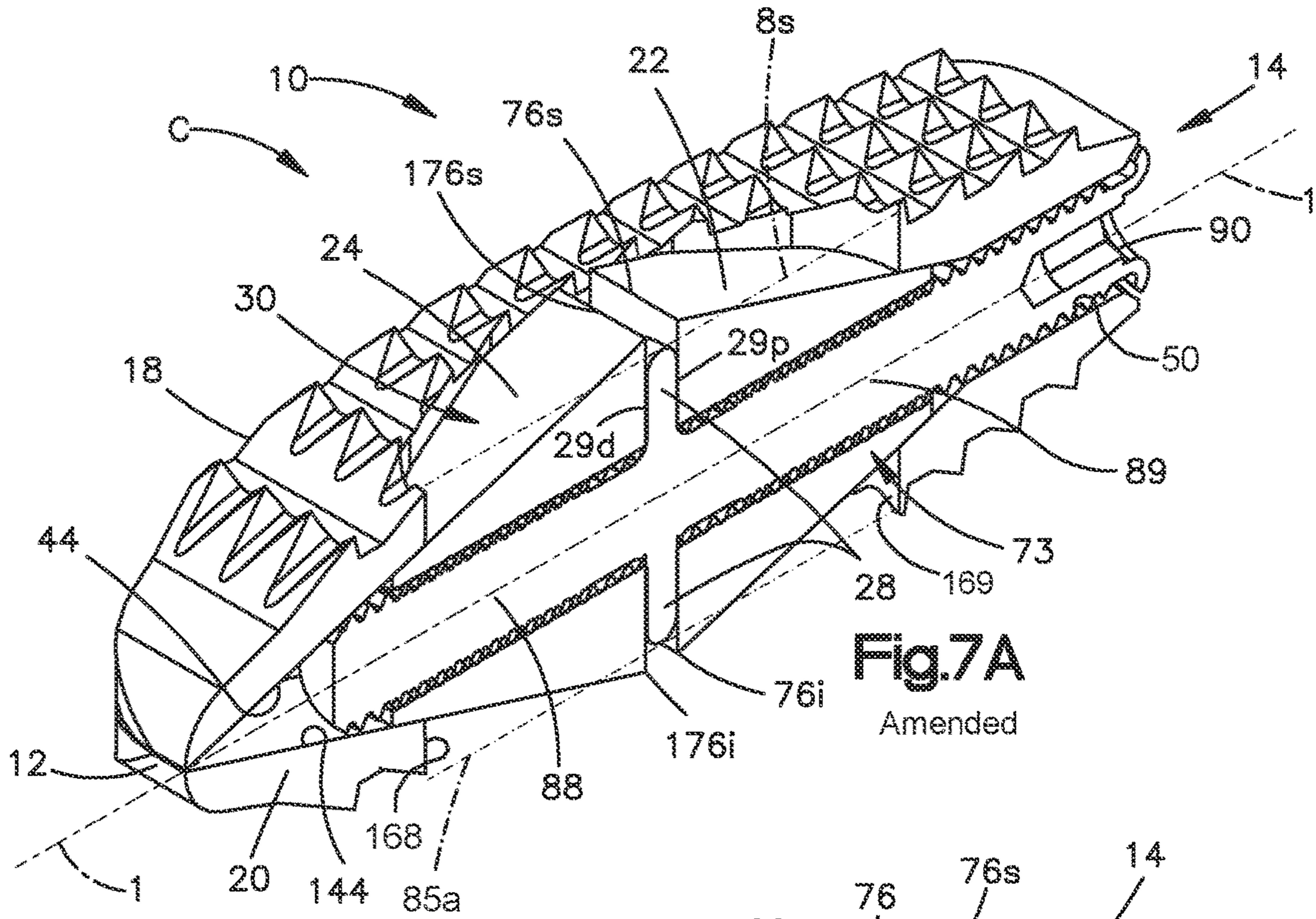


Fig.6B

Amended



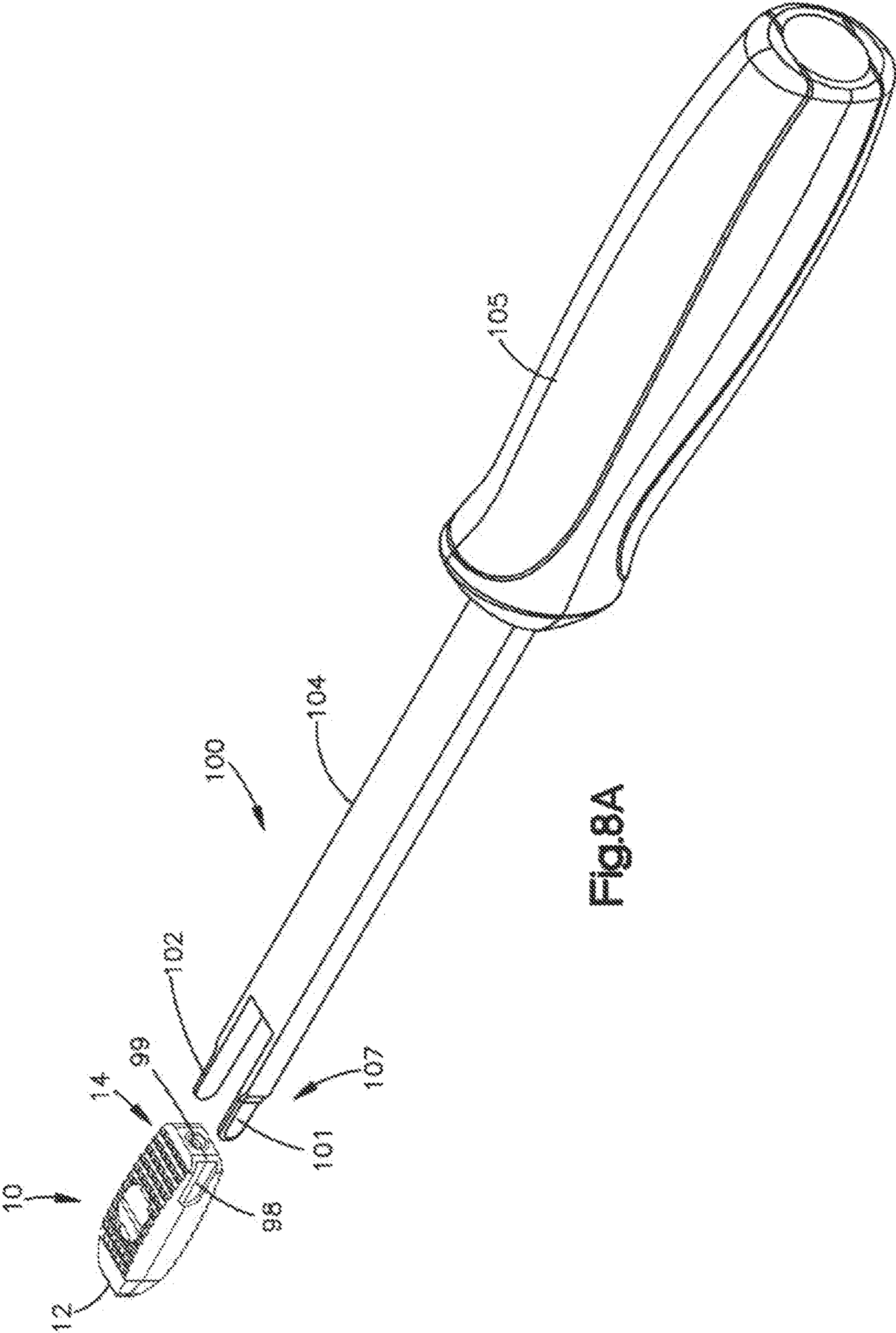


FIG. 8A



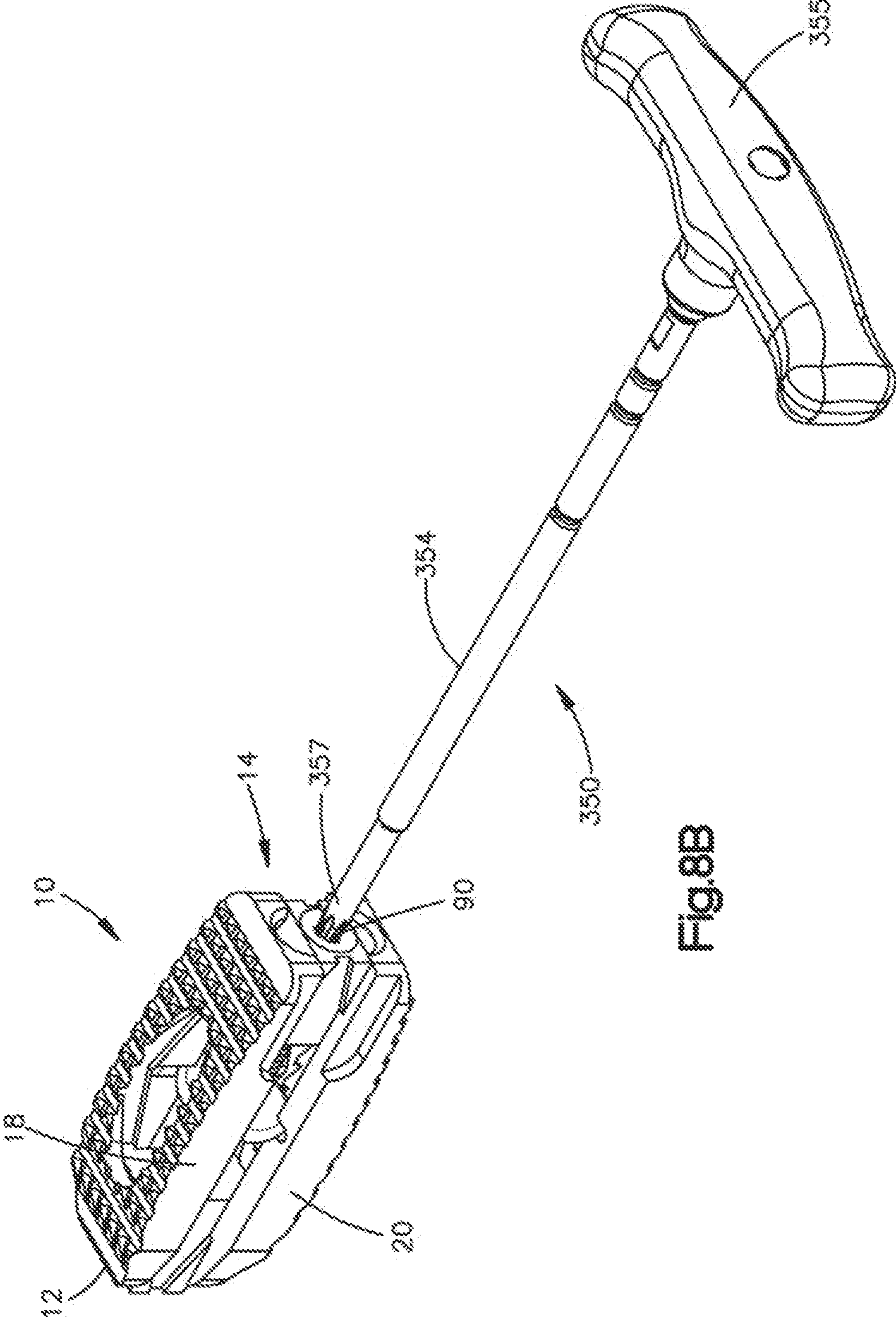


Fig. 8B

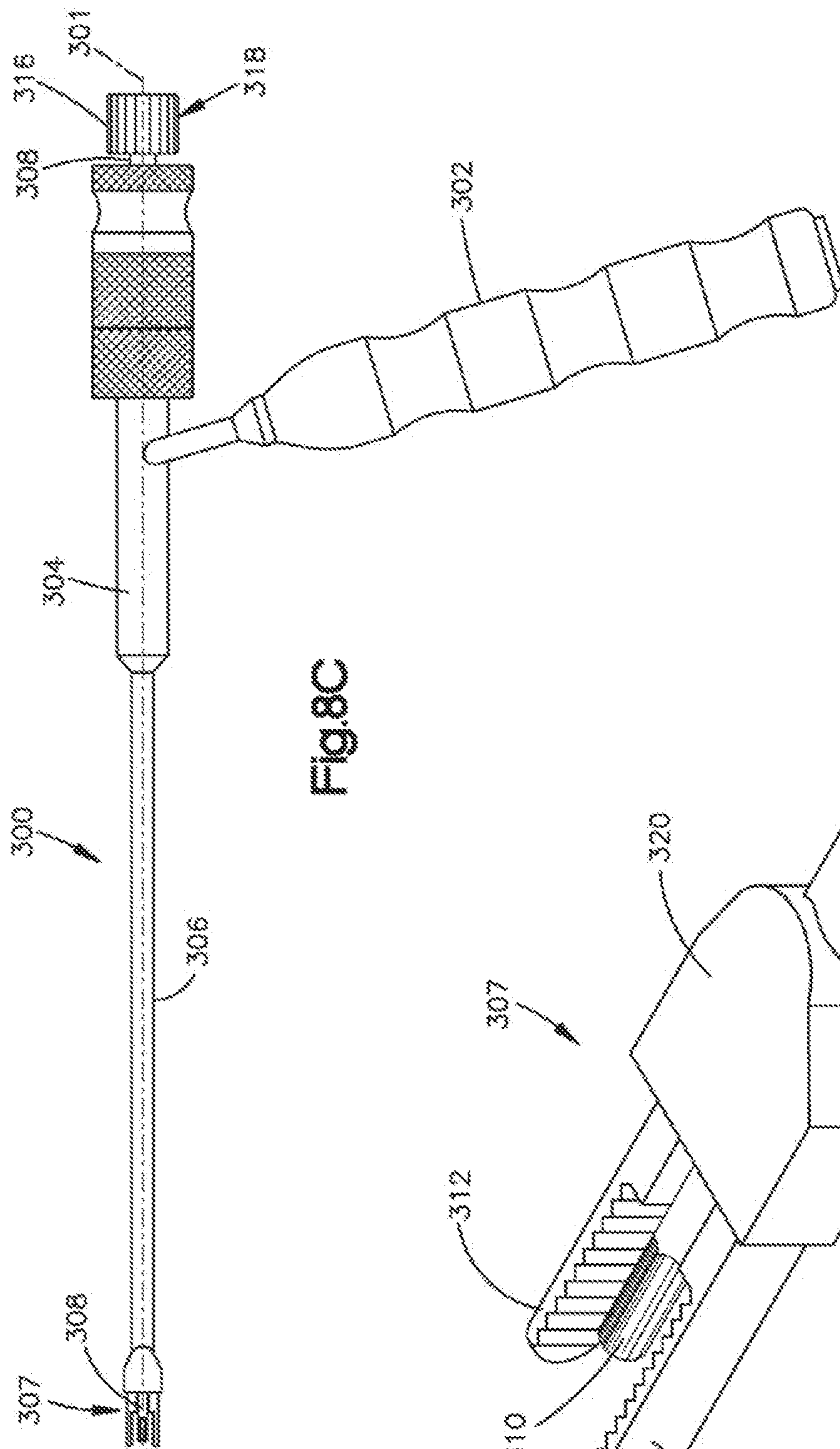
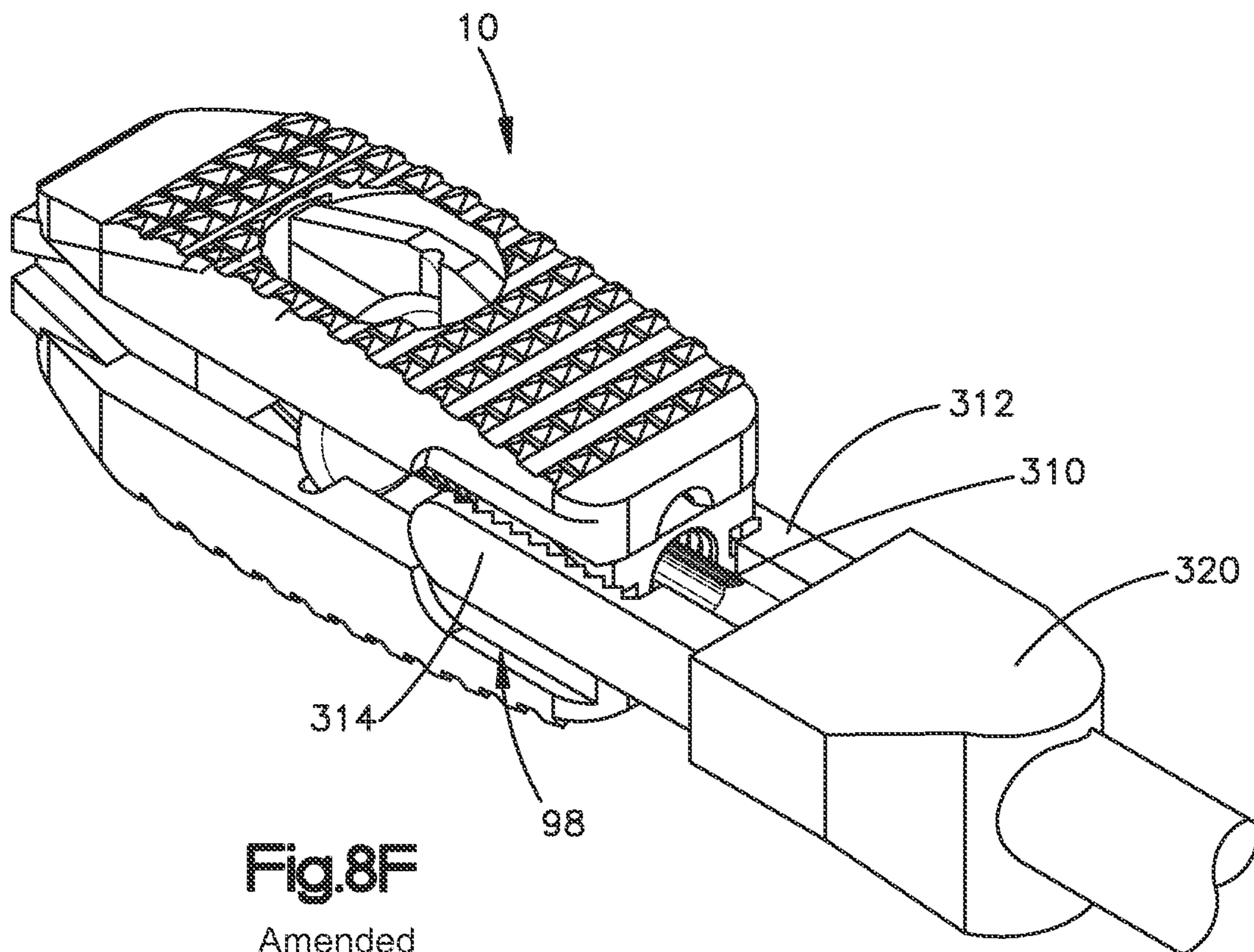
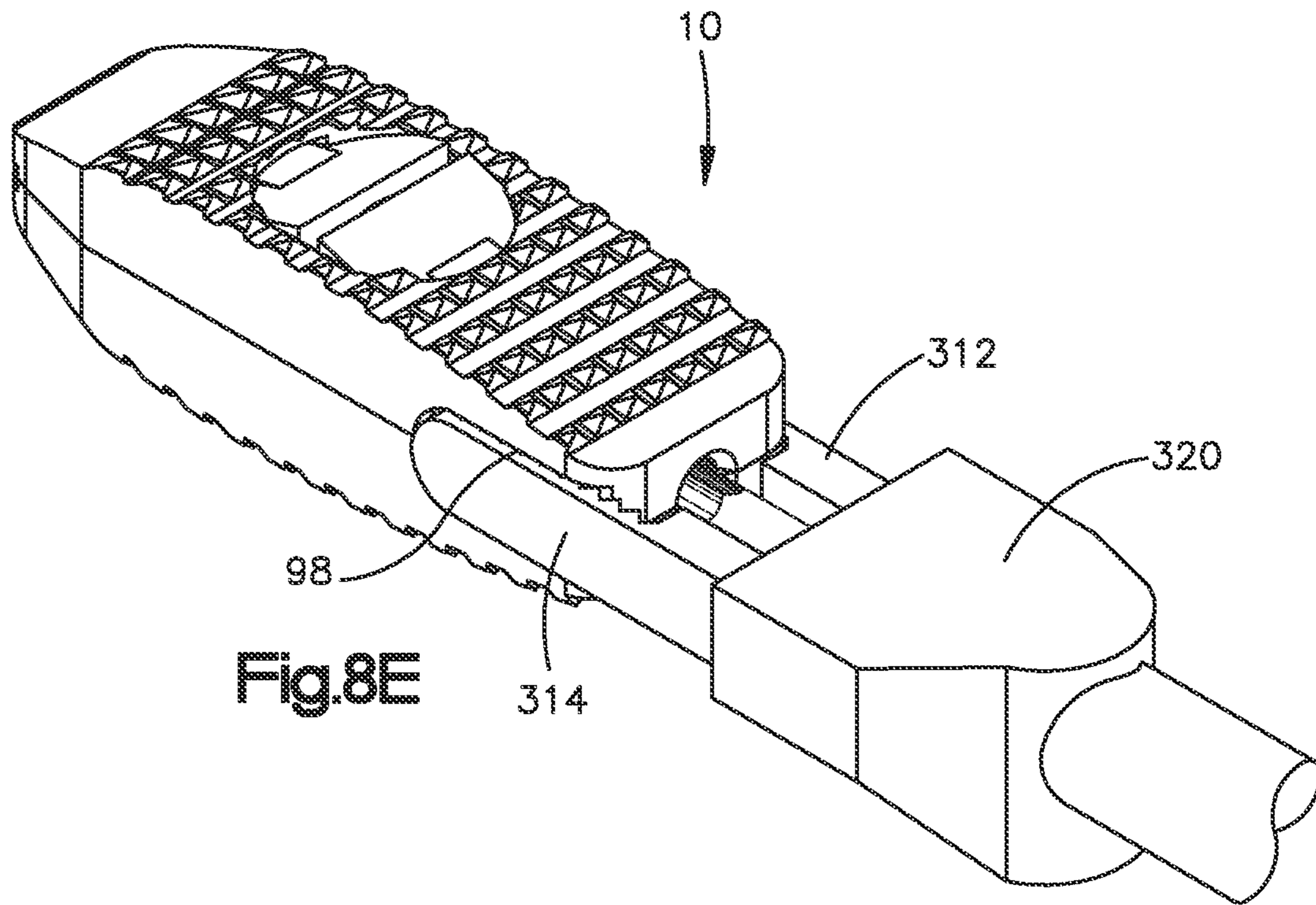


Fig.8C

Fig.8D



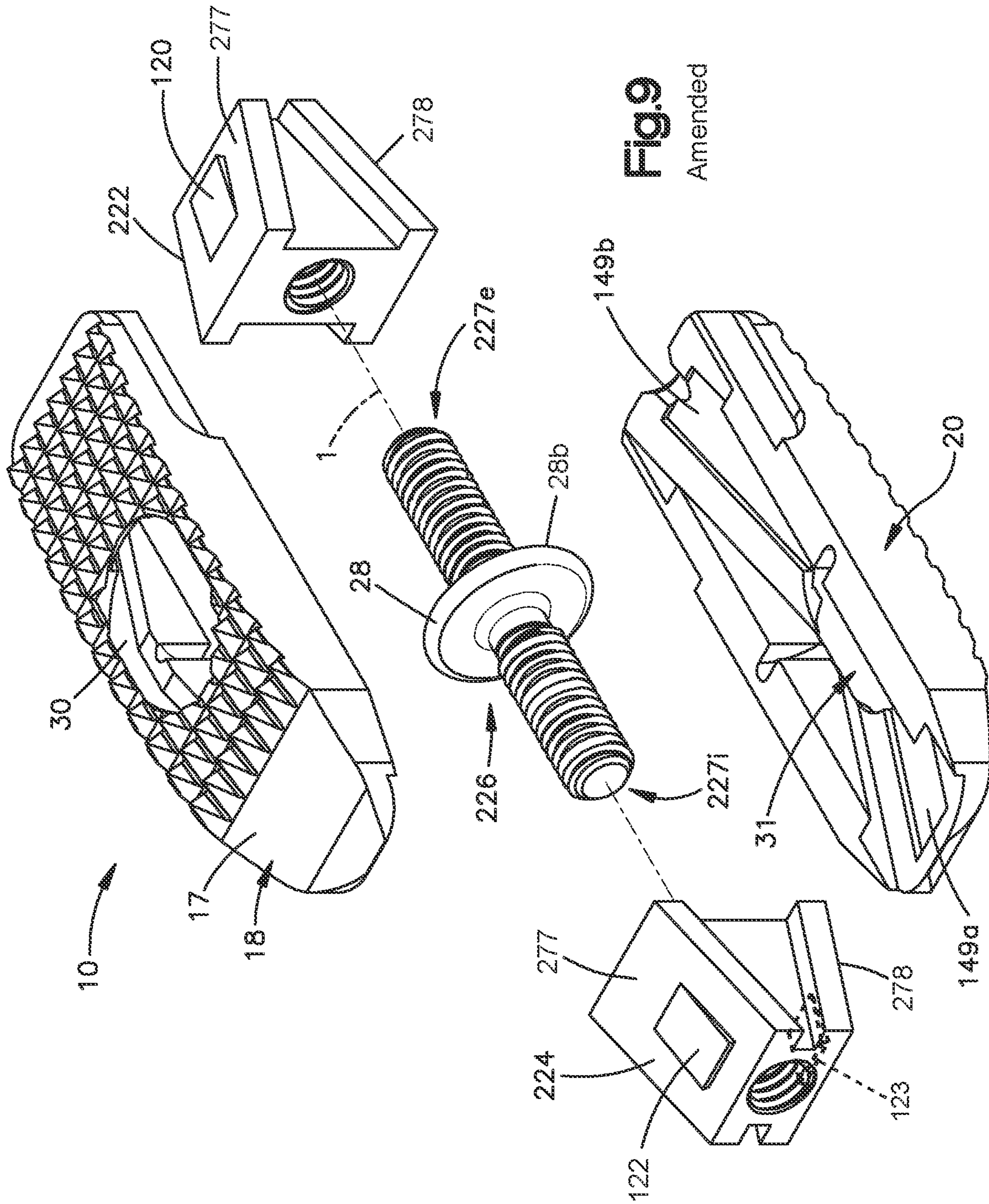


Fig.9  
Amended

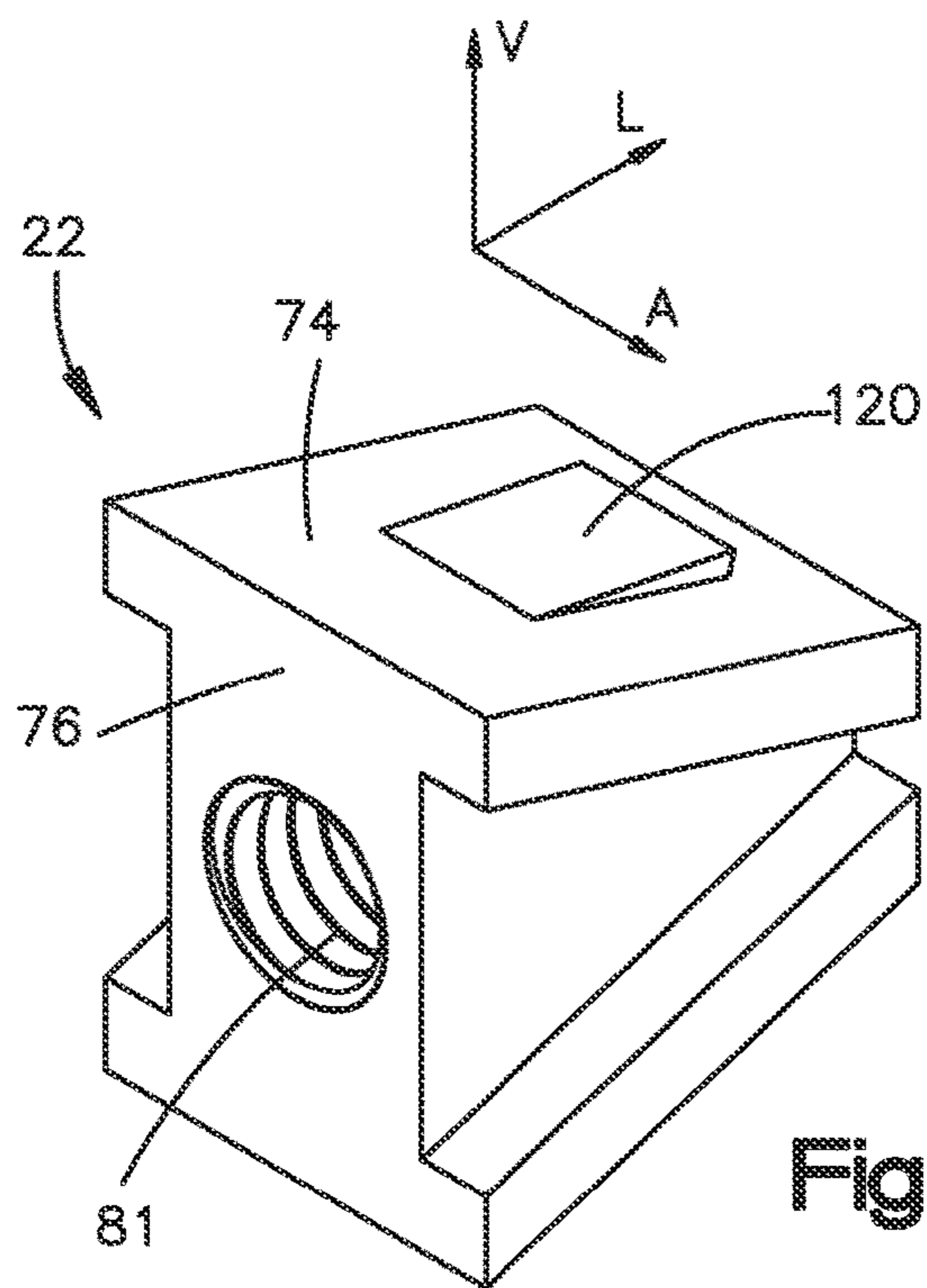


Fig.10A

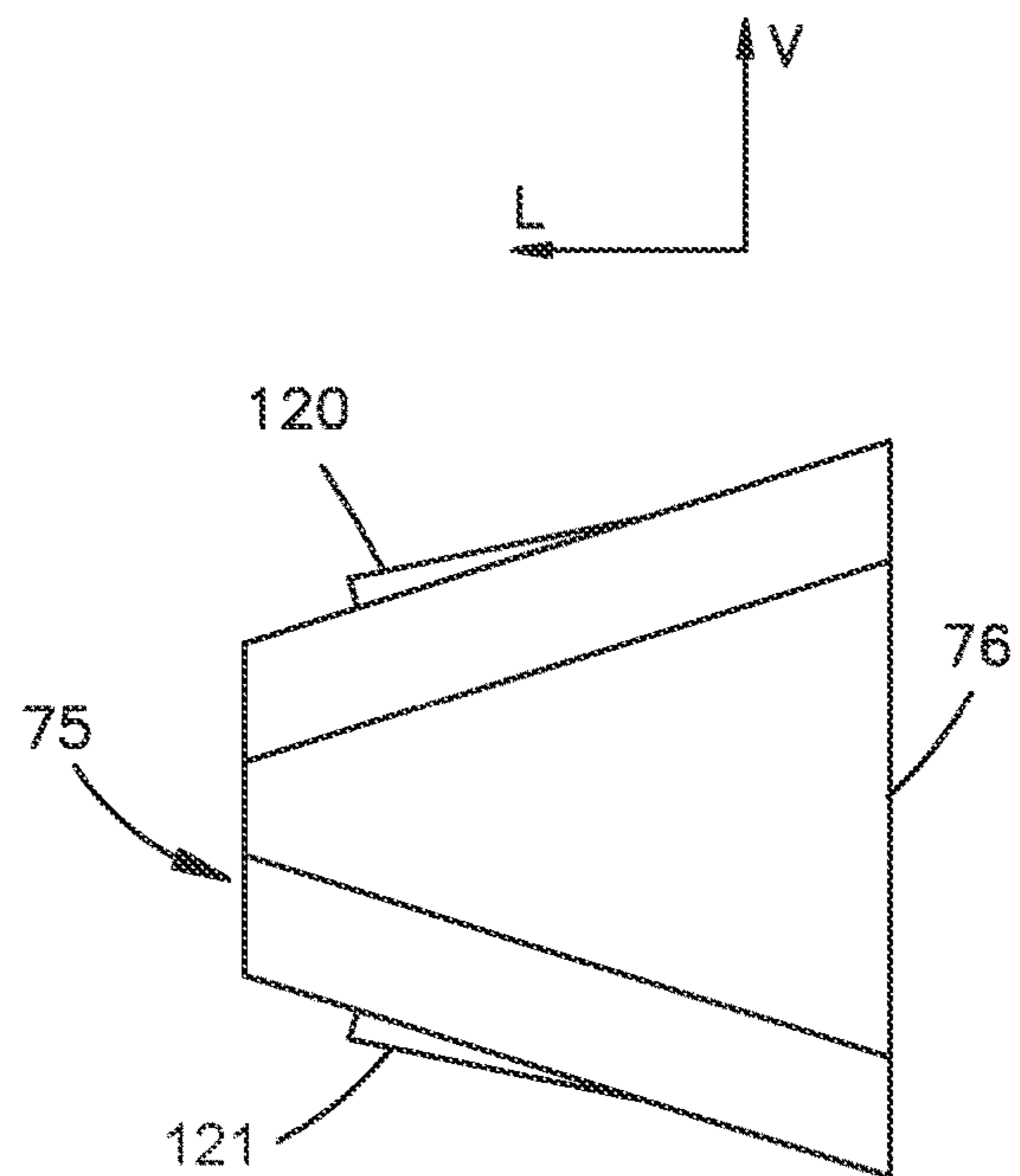


Fig.10B

Amended

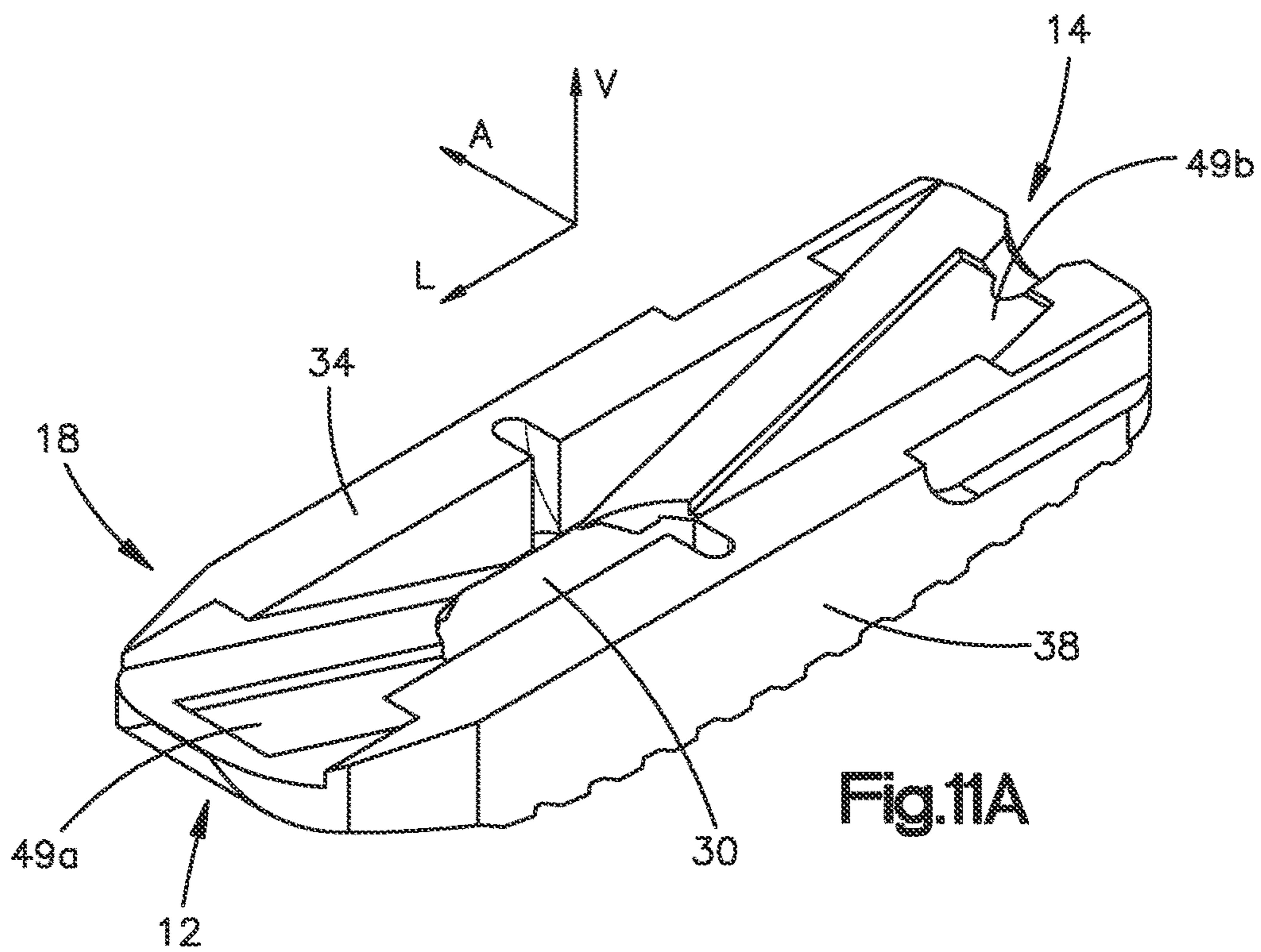
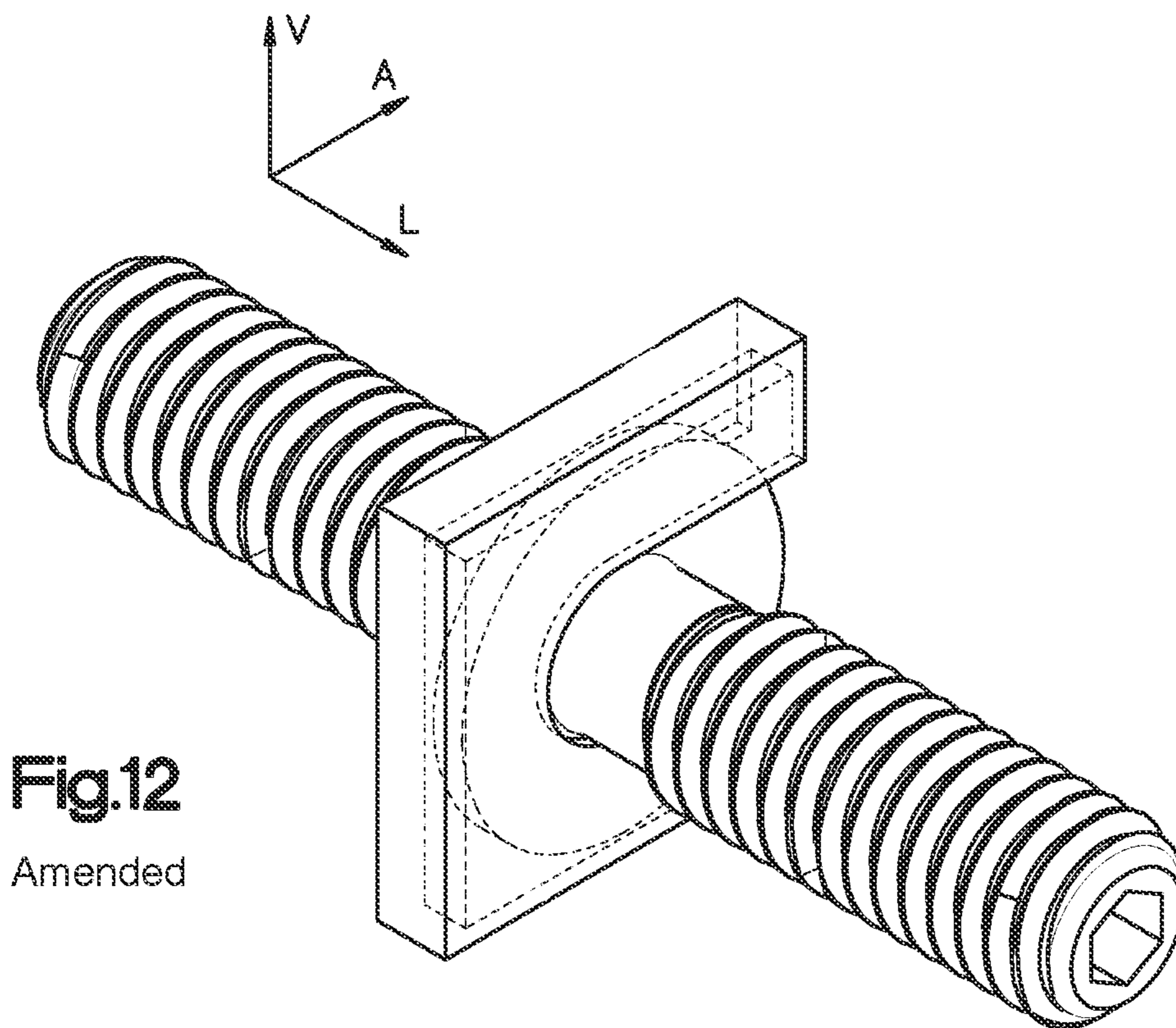
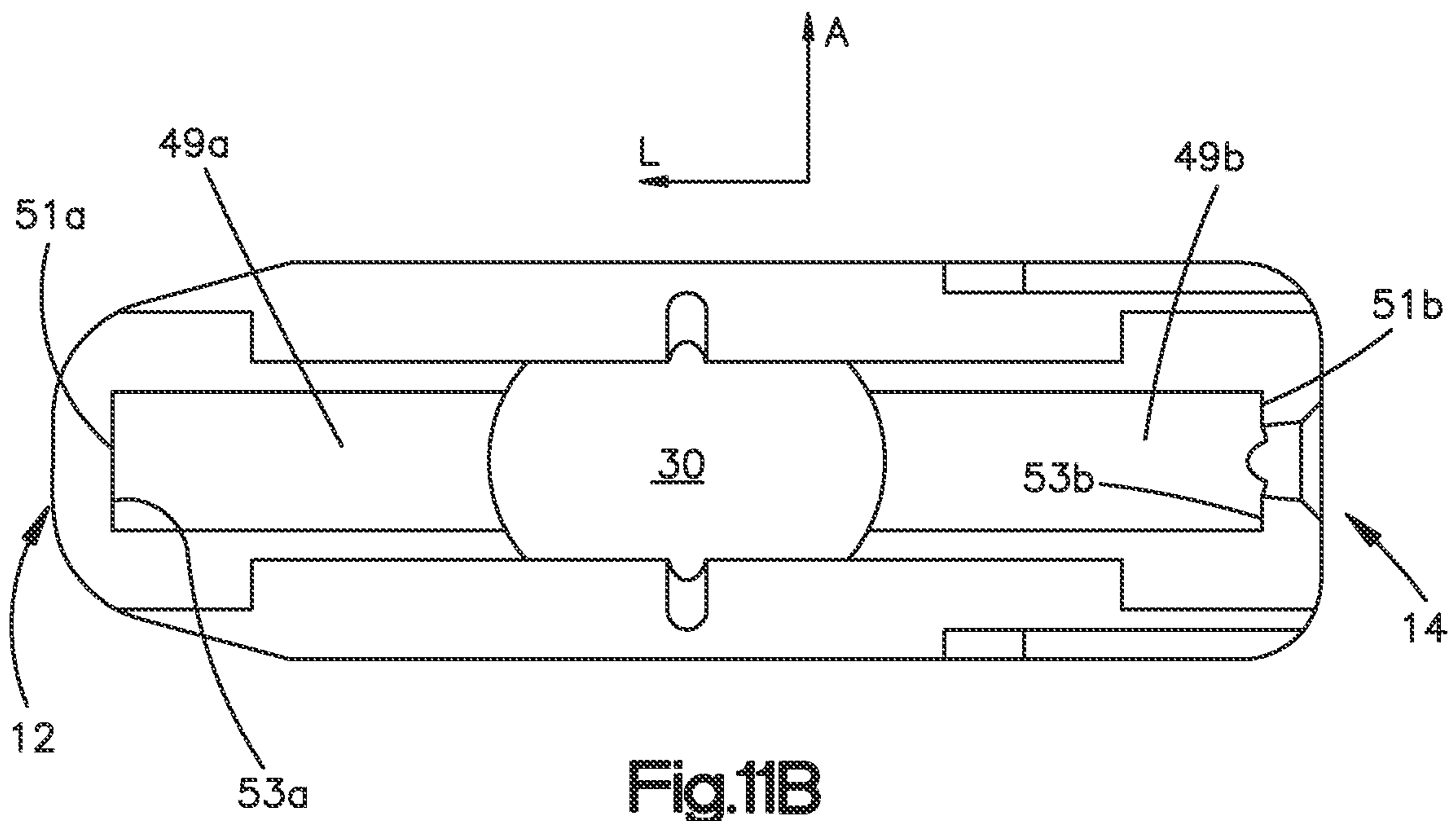


Fig.11A



1

## EXPANDABLE INTERVERTEBRAL IMPLANT, SYSTEM, KIT AND METHOD

Matter enclosed in heavy brackets [ ] appears in the original patent but forms no part of this reissue specification; matter printed in italics indicates the additions made by reissue; a claim printed with strikethrough indicates that the claim was canceled, disclaimed, or held invalid by a prior post-patent action or proceeding.

### CROSS-REFERENCE TO RELATED APPLICATIONS

*This application is a reissue application of U.S. Pat. No. 9,717,601, issued Aug. 1, 2017.*

### TECHNICAL FIELD

The present invention relates to an expandable intervertebral implant, system, kit and method.

### BACKGROUND

Removal of an intervertebral disc is often desired if the disc degenerates. Spinal fusion may be used to treat such a condition and involves replacing a degenerative disc with a device such as a cage or other spacer that restores the height of the disc space and allows bone growth through the device to fuse the adjacent vertebrae. Spinal fusion attempts to restore normal spinal alignment, stabilize the spinal segment for proper fusion, create an optimal fusion environment, and allows for early active mobilization by minimizing damage to spinal vasculature, dura, and neural elements. When spinal fusion meets these objectives, healing quickens and patient function, comfort and mobility improve. Spacer devices that are impacted into the disc space and allow growth of bone from adjacent vertebral bodies through the upper and lower surfaces of the implant are known in the art. Yet there continues to be a need for devices that minimize procedural invasiveness yet stabilize the spinal segment and create an optimum space for spinal fusion.

### SUMMARY

According to an embodiment of the present disclosure, the expandable implant configured for insertion in an intervertebral space defined between a first vertebral body and a second vertebral body. The implant defines an insertion end spaced apart from a trailing end along a longitudinal direction. The implant can include a first plate and a second plate opposed to the first plate along a vertical direction that is perpendicular to the longitudinal direction. The implant can include a first wedge member and a second wedge member spaced from the first wedge member along the longitudinal direction, the first and second wedge members coupled to the first and second plates. Each wedge member defines a narrow end spaced apart from an inner end along the longitudinal direction, and the inner ends of each wedge member face other. The first and second wedge members configured to translate along the longitudinal direction along to the first and second plates from a first contracted configuration into a second separated configuration. The implant can include an actuation member coupled to the first wedge member and the second wedge member, the actuating member defining a flange extending toward the first and second plates, the actuation member configured to move the

2

first and second wedge members from the first contracted configuration into the second separated configuration so as to separate the first and second plates from each other along the vertical direction.

### BRIEF DESCRIPTION OF THE DRAWINGS

The foregoing summary, as well as the following detailed description of illustrative embodiments of the intervertebral implant of the present application, will be better understood when read in conjunction with the appended drawings. For the purposes of illustrating the expandable intervertebral implant of the present application, there is shown in the drawings illustrative embodiments. It should be understood, however, that the application is not limited to the precise arrangements and instrumentalities shown. In the drawings:

FIG. 1 illustrates an implant positioned between vertebral bodies, according to an embodiment of the present disclosure;

FIGS. 2A and 2B are perspective views of the implant shown in FIG. 1 in a collapsed configuration and an expanded configuration, respectively;

FIG. 3 is an exploded perspective view of the implant shown in FIG. 1;

FIG. 4A is a perspective view of the interior surface of a plate of the implant shown in FIG. 1;

FIG. 4B is side view of a plate of the implant shown in FIG. 4A;

FIGS. 4C and 4D are bottom and top plan views, respectively, of a plate of the implant shown in FIG. 4A;

FIGS. 5A, 5B, 5C, and 5D are perspective, side, and opposing ends views of a wedge member used in the implant shown in FIG. 1;

FIGS. 6A and 6B are perspective and side views of the actuation member used in the implant shown in FIG. 1;

FIGS. 7A and 7B are sectional views of the implant taken along lines 7-7 in FIGS. 2A and 2B, illustrating the collapsed and expanded configurations;

FIG. 8A is a perspective view of an insertion tool used to insert the implant shown in FIG. 1 into an intervertebral space;

FIG. 8B is a perspective view of a tool engaged with the trailing end of the implant shown in FIG. 1;

FIG. 8C is a side view of a tool according to another embodiment of the present disclosure;

FIG. 8D is a partial perspective view of an implant supporting end of a tool shown in FIG. 8C;

FIGS. 8E and 8F are partial perspective views of the tool shown in FIG. 8D supporting an implant;

FIG. 9 is an exploded perspective view an implant according to another embodiment of the present disclosure;

FIGS. 10A and 10B are perspective and side views of a wedge member of the implant shown in FIG. 9;

FIGS. 11A and 11B are perspective and inferior plan views of a plate, respectively, of the implant shown in FIG. 9; and

FIG. 12 is a perspective view of an actuation member in accordance with another embodiment of the present disclosure.

### DETAILED DESCRIPTION OF ILLUSTRATIVE EMBODIMENTS

Referring to FIG. 1, a superior vertebral body 2 and an adjacent inferior vertebral body 4 defines an intervertebral space 9 extending between the vertebral bodies 2 and 4. The superior vertebral body 2 defines superior vertebral surface

6, and the adjacent inferior vertebral body 4 defines an inferior vertebral surface 8. The vertebral bodies 2 and 4 can be anatomically adjacent, or remaining vertebral bodies after a vertebral body has been removed from a location between the vertebral bodies 2 and 4. The intervertebral space 9 in FIG. 1 is illustrated after a discectomy, whereby the disc material has been removed or at least partially removed to prepare the intervertebral space 9 to receive an intervertebral implant or implant 10, as shown in FIGS. 2A-2B. The inserted and expanded implant 10 can achieve appropriate height restoration. The intervertebral space 9 can be disposed anywhere along the spine as desired, including at the lumbar, thoracic, and cervical regions of the spine.

Certain terminology is used in the following description for convenience only and is not limiting. The words "right", "left", "lower" and "upper" designate directions in the drawings to which reference is made. The words "inner" or "distal" and "outer" or "proximal" refer to directions toward and away from, respectively, the geometric center of the implant and related parts thereof. The words, "anterior", "posterior", "superior," "inferior," "medial," "lateral," and related words and/or phrases are used to designate various positions and orientations in the human body to which reference is made and are not meant to be limiting. The terminology includes the above-listed words, derivatives thereof and words of similar import.

The implant 10 is described herein as extending horizontally along a longitudinal direction "L" and a transverse direction "T", and vertically along a vertical direction "V". Unless otherwise specified herein, the terms "longitudinal," "transverse," and "vertical" are used to describe the orthogonal directional components of various implant components and implant component axes. It should be appreciated that while the longitudinal and transverse directions are illustrated as extending along a horizontal plane, and that the vertical direction is illustrated as extending along a vertical plane, the planes that encompass the various directions may differ during use. For instance, when the implant 10 is inserted into an intervertebral space, such as the intervertebral space 9, the vertical direction V extends vertically generally along the superior-inferior (or caudal-cranial) direction, while the horizontal plane defined by the longitudinal direction L and transverse direction T lies generally in the anatomical plane defined by the anterior-posterior direction, and the medial-lateral direction. Accordingly, the directional terms "vertical" and "horizontal" may be used to describe the implant 10 and its components as illustrated merely for the purposes of clarity and illustration.

Referring to FIGS. 1-3, the expandable intervertebral implant or implant 10 extends between a distal or insertion end 12 and proximal or trailing end 14 that is spaced from the insertion end 12 along an implant axis 1. The implant axis 1 can extend along the longitudinal direction L or any other linear or nonlinear direction as desired. The trailing end 14 is configured to couple with one or more insertion instruments, which are configured to support and carry the implant 10 into the intervertebral space 9, and/or actuate the implant 10 from a collapsed configuration C shown in FIG. 2A into an expanded configuration E shown in FIG. 2B. The implant 10 can also extend between an upper or first bone-contacting surface 32 and a lower or second bone contacting surface 132 spaced from the first bone-contacting surface along the vertical direction V. The bone contacting surfaces 32 and 132 are configured to engage opposing vertebral bodies 4 and 6, respectively. Each bone-contacting surface can be convex or partially convex, for instance, one portion of the surface is convex while another portion can be

planar. The bone contacting surfaces 32 and 132 can also define a texture 41, such as spikes, ridges, cones, barbs, indentations, or knurls, which are configured to engage respective vertebral bodies 4 and 6 when the implant 10 is inserted into the intervertebral space 9. The bone contacting surfaces 32 and 132 may be partially textured. For instance, the bone contacting surfaces 32 and 132 can include specific patterns of textured and non-textured portions. As used herein, the term "proximal" and derivatives thereof refer to a direction from the distal or insertion end 12 toward the proximal end 14. As used herein, the term "distal" and derivatives thereof refer to a direction from the proximal end 14 toward the insertion end 12. As used herein, the term "superior" and derivatives thereof refer to a direction from the bone contact surface 132 toward the first bone-contacting surface 32. As used herein, the term "inferior" and derivatives thereof refer to a direction from the upper or first bone-contacting surface 32 toward the lower or second bone contacting surface 132.

Continuing with FIGS. 1-3, the implant 10 includes a first or superior plate 18, a second or inferior plate 20 opposing the superior plate 18 along the vertical direction V, and a pair of wedge members. The pair of wedge members include a first wedge member 22 and a second wedge member 24 that couple to the superior plate 18 to the inferior plate 20. The first and second wedge members 22 and 24 are translatable along the longitudinal direction or the implant axis 1 so as to separate the superior plate 18 from the inferior plate 20 along the vertical direction V. The implant 10 can include an actuation member 26 coupled to the first wedge member 22 and the second wedge member 24. The actuation member 26 has a flange 28 protruding from the actuation member 26 along the vertical direction V toward the superior plate 18 and the inferior plate 20. The superior plate 18 can define a first lumen 30 and the inferior plate 20 can define a second lumen 31 aligned with and opposite to the first lumen 30. The implant 10 is configured such that when the implant 10 is in the collapsed configuration C shown in FIG. 2A, a portion of first wedge member 22 and the second wedge member 24 are disposed at least partially in the first lumen 30 and the second lumen 31. The implant plates and/or wedge members can be formed of polyether ether ketone (PEEK) or any other suitable biocompatible polymeric material. The actuation member can be formed from a biocompatible polymeric material or metallic alloy, such as titanium or steel. It should be appreciated that the any suitable material can be used to form the implant components as described herein.

Referring to FIGS. 3-4D, the superior plate 18 is configured for coupling with the first wedge member 22, the second wedge member 24, and at least a portion of the actuation member 26, for support on the flange 28. The superior plate body 17 can define a cavity 42 configured to carry the first and second wedge members 22 and 24. The superior plate 18 defines a first or superior plate body 17 that extends between the insertion end 12 and the trailing end 14 along the longitudinal direction L. The superior plate body 17 defines the first bone-contacting surface 32, and first and second interior plate contact surfaces 34 and 38 spaced from the bone-contacting surface 32 along the vertical direction V. The superior plate body 17 also defines first and second ramp surfaces 44 and 46 spaced from the bone contacting surface 32 along the vertical direction V. The plate body 17 further defines a first side 33a and a second side 33b opposite the first side 33a. The first and second sides 33a and 33b extend between the bone-contacting surface 32 and respective inte-



5

rior plate contact surfaces **34** and **38** along the vertical direction V. The plate body **17** also defines a first vertical surface **37** and a second vertical surface **39** that extend from the ramp surface **44** and **46** to respective interior plate contact surfaces **34** and **38** along the direction V. The plate body **17** thus defines a first sidewall **36** and a second sidewall **40** spaced from the first sidewall **36** along the transverse direction T. Specifically, the first sidewall **36** extends between the side **33a** and vertical surface **37** along the transverse direction T, and from the ramp surfaces **44** and **46** to the interior plate contact surface **34** along the vertical direction V. The second sidewall **40** extends between the side **33b** and vertical surface **39** along the transverse direction T, and from the ramp surfaces **44** and **46** toward the interior surface **38** along the vertical direction V. As illustrated, the cavity **42** extends along the longitudinal direction L of the plate body **17** and along the transverse direction T between opposing first and second walls **36** and **40**. The first lumen **30** is in communication with the cavity **42** as detailed below. In the embodiment shown, the first and second walls **36** and **40** converge with the bone contacting surface **32** to form a tapered insertion end **16** (FIG. 2A).

Continuing with FIGS. 3-4D, the first and second walls **36** and **40** are configured to couple to the first and second wedge members **22** and **24**. The first wall **36** can define at least one slot, for instance a first slot **52** for receiving a portion of the flange **28** of the actuation member **26**. The first slot **52** is disposed in the first wall **36** at a location between the insertion end **12** and the trailing end **14** of the plate body **17**. The second wall **40** can define at least one or second slot **54** for receiving another portion of the flange **28** of the actuation member **26**. The second slot **54** is disposed in the first wall **36** at a location between the insertion end **12** and the trailing end **14** of the plate body **17**. The second slot **54** is aligned, for instance transversely aligned, with and opposing the first slot **52** such that each slot **52** and **54** is positioned to receive a portion of the flange **28**. The first and second slots **52** and **54** are also configured to mate with the structure of the flange **28**. For instance, the first and second slots have an inner profile that is curvilinear and corresponds to the curvilinear profile of the flange **28**. In other alternate embodiments, the first and second slots **52** and **54** may have a rectilinear shape. It should be appreciated that the slots **52** and **54** may have any desired shape that can slidably receive a portion of the flange **28**. For example, if the flange **28** has a square profile, the slots **52** and **54** can be configured to mate with the square shaped flange. In alternate embodiments, the first and second wall **36** and **40** can include a plurality of spaced slots spaced apart along the longitudinal direction L and disposed on the first and second walls **36** and **40** to receive a corresponding number of flanges or flanges portions protruding from the actuation member **26**. For example, the first and second walls may include slots **52** and **54**, and additional slots **[52L and 54L]** (not shown) spaced apart from the slots **52** and **54** along the longitudinal direction (the longitudinal direction L).

The plate body **17**, or for instance the first and second walls **36** and **40**, can define one or more projections **56** and **58** that protrude from the walls **36** and **40** along the transverse direction T. The projections **56** and **58** are configured to engage a portion of the first and second wedge members **22** and **24** as further detailed below. In particular, the first wall **36** can define a first set of projections **56** that extend from the first wall **36** along the transverse direction T into the cavity **42**. The first set of projections **56** can include a first wall projection **56a** and a second wall projection **56b** spaced proximally from the first wall projection

6

**56a** along the longitudinal direction L. In the illustrated embodiment, the first slot **52** separates the first wall projection **56a** from the second wall projection **56a**. The second wall **40** can define a second set of wall projections **58** that extend from the second wall **40** along the transverse direction T into the cavity **42**. The second set of projections **58** can include a third wall projection **58a** and a fourth wall projection **58b** spaced proximally from the third projection **58a** along the longitudinal direction L. In the illustrated embodiment, slot **54** separates the third wall projection **58a** from the fourth wall projection **58b**. While each wall **36** and **40** is illustrated as having two projections, each wall **36** and **40** can have a single projection, or more than two projections.

The plate body **17**, for instance the first and second walls **36** and **40**, can further define **[set]** sets of inclined connection grooves **[60]** *60a-60b* and **[62]** *62a-62b* configured to receive a portion of the first and second wedge members **22** and **24**. The wall projections **56** and **58** protrude from respective walls **36** and **40** along the transverse direction T, as discussed above. The wall projections **56** and **58** are also spaced from the respective first and second ramp surfaces **44** and **46** along the vertical direction V to define the sets of inclined connection grooves **[60]** *60a-60b* and **[62]** *62a-62b*. The first set of projections **56a** and **56b** extend from the first wall **36** so as to define first and second inclined connection grooves **60a** and **60b** respectively (FIG. 4A). The second connecting groove **60b** is proximal disposed relative to the first connection groove **60a**. The slot **52** is disposed between the first and second inclined connection grooves **60a** and **60b**. The second set of projections **58a** and **58b** extend from the first wall **40** to define third and fourth inclined connection grooves **62a** and **62b**, respectively. The fourth connection groove **62b** is proximal to the third inclined connection groove **62a**. The slot **54** is disposed between the inclined connection grooves **62a** and **62b**. The first and third projections **56a** and **58a** can also be referred to as the distally positioned projections, while the second and fourth projections **56b** and **58b** can be referred to as proximally positioned projections. Further, the first and third inclined connection grooves **60a** and **62a** can be referred to as the distally positioned connection grooves, while the second and fourth inclined connection grooves **60b** and **62b** can be referred to as the proximally positioned connection grooves.

Each opposing inclined *set of* connection grooves **[60]** *60a-60b* and **[62]** *62a-62b* extends from the lumen **30** toward the opposing implant or implant ends **12** and **14** along the longitudinal direction L. The plate body **17** can define a lumen first perimeter portion **68** and an opposing lumen second perimeter portion **69** that is spaced from the first perimeter portion **68** along the first lumen axis **85**. Lumen perimeter portion **69** is disposed proximally toward the trailing end **14** of the implant **10** and lumen perimeter portion **68** is disposed distally toward the insertion end **12** of the implant **10**. The distally positioned grooves **60a** and **62a** extend distally from the first perimeter portion **68** of the lumen **30** toward the plate insertion end **12**, while the proximally positioned grooves **60b** and **62b** extend proximally from the second perimeter portion **69** of the lumen **30** toward the trailing end **14**. The inclined connection grooves **[60]** *60a-60b* and **[62]** *62a-62b* can thus slidably receive therein the ridges **82** and **182** of the first and second wedge members **22** and **24**.

Continuing with FIGS. 3-4C, the plate body **17** defines ramp surfaces **44** and **46**, for instance a first ramp surface **44** and a second ramp surface **46** that are configured to mate with and slide along portions of the first and second wedge

members 22 and 24. The first ramp surface 44 extends from the first perimeter portion 68 of the lumen 30 distally generally along the longitudinal direction L to the insertion end 12. The ramp surface 44 is inclined to abut and slidingly receive a portion of the second wedge member 24. The second ramp surface 46 extends from the second perimeter portion 69 of the lumen 30 proximally along the longitudinal direction L toward the trailing end 14. The ramps surfaces 44 and 46 also extend transversely along the transverse direction T between the opposing first and second plate walls 36 and 40. Each ramp surface 44 and 46 can define a ramp angle  $\beta$  (not shown) defined with respect to interior plate contact surfaces 34 and 38. It should be appreciated that the angle  $\beta$  can vary as needed. The plate body 17 can also define a curvilinear portion 48 disposed at the trailing end 14 of the plate body 17 and in communication with the second ramp surface 46. The curvilinear portion 48 is configured align with a corresponding curvilinear portion 148 on the inferior plate 20. When the plates 18 and 20 are in the collapsed configuration as shown in FIGS. 2A and 7A, the curvilinear portions 48 and 148 define an access opening 50. The access opening 50 that provides access the actuation member 26, as further detailed below.

Continuing with FIGS. 3-4D, the superior plate 18 can include one or more radiographic markers. The plate body 17 can define one or more bores (not shown) sized and dimensioned to receive a radiographic marker 70a therein. As illustrated in FIGS. 4A and 4C, the radiographic marker 70a is disposed in the second wall 40 and positioned toward insertion end 12 of the plate 18. The opposing plate 20 can have a radiographic marker [170a] 70a as well, as shown in FIGS. 2B and 3. When the implant 10 is inserted into the intervertebral space 9, and the implant 10 is expanded from the first configuration C to the expanded configuration E, the markers 70a [and 170a] can separate along the vertical direction V. With image analysis, the extent of plate separation can be determined or indicated by observing the extent of separation between the [markers] marker 70a [and 170a] disposed in the superior plate 18 compared to the marker 70a disposed in the inferior plate 20.

The inferior plate 20 is configured similarly to the superior plate 18. The inferior plate 20 thus includes similar structural features that correspond to the structural features described above with respect to the superior plate 18. The inferior or second plate 20 defines a plate body 21 that extends between the insertion end 12 and the trailing end 14 along the longitudinal direction L. The inferior plate body 21 defines a second bone contacting surface 132, first and second plate contact surfaces 134 and 138 spaced from the bone contacting surfaces 32 along the vertical direction V, and first and second ramp surfaces 144 and 146 spaced from the bone contacting surfaces 32 along the vertical direction V. The inferior plate body 21 therefore defines define cavity 142, first and second walls 136 and 140, a first set of projections 156a-b, a second set of projections 158a-b, and inclined connection grooves 160a-b, 162a-b. The interior surfaces 134 and 138 of the inferior plate 20 are configured to oppose and contact the interior contact surfaces 34 and 38 of the superior plate 18. The superior plate 18 and inferior plate 20 can define opposing indentations 98 and 99 at the trailing end 14 of the implant 10. The indentations 98 and 99 are configured to receive a portion of an insertion tool 100 and 300 (FIG. 8A-8F).

The first and second plates 18 and 20 can also define the respective first and second lumens 30 and 31 as discussed above. Each lumen 30 and 31 has been configured to configured receive at least a portion of the first and second

wedge members 22 and 24 to maximize the compact design and the expansion characteristics of the implant 10. The lumens 30 and 31 partially receiving portions of the first and second wedge members 22 and 24 when the implant 10 is in the collapsed configuration C (FIG. 2A), which allows for the dimensions of the first and second wedge members 22 and 24 to be increased over wedge members used in implants with lumens not configured to permit a portion of the wedge member to extend therethrough. Further, the configured first and second wedge members 22 and 24 can improve implant 10 stability when expanded. Thus, the implant 10 has a collapsed configuration that is compact and less invasive, and an expanded configuration that is dimensionally stable. The lumens 30 and 31 have the additional benefit of promoting bone growth when implanted in the intervertebral space 9. The first lumen 30 and second lumen 31 are generally elongate in the longitudinal direction L. The lumens 30 and 31 can have other shapes, for instance the lumens can be circular (FIGS. 9-11B). The lumen 30 extends through the superior plate body 17 along the vertical direction V into communication with the cavity 42. Likewise, the second lumen 31 extends through the second or inferior plate body 21 into communication with the cavity 142. The superior plate body 17 can define a lumen axis 85 that extends along the longitudinal direction L of plate body 17. The lumen axis 85 is aligned with the bone-contacting surface 32 or at leady portion thereof, for instance the lumen axis 85 is spaced from the implant axis 1 along the vertical direction V with a portion of the bone-contacting surface 32. The plate body 17 can also define a lumen first perimeter portion 68 and an opposing lumen second perimeter portion 69 that is spaced from the first perimeter portion 68 along the first lumen axis 85. Lumen perimeter portion 68 is disposed proximally toward the implant trailing end 14 and lumen perimeter portion 69 is disposed distally toward the implant insertion end 12. Likewise, the inferior plate body 21 can define a second lumen axis 85a [(not shown)] that extends along the longitudinal direction L of plate body 21 and is aligned along the vertical direction V with bone contacting surface 132. The plate body 21 can also define a lumen first perimeter portion 168 and an opposing lumen second perimeter portion 169 that is spaced from the first perimeter portion 168 along the second lumen axis 85a. Lumen perimeter portion 168 is disposed proximally toward the trailing end 14 and lumen perimeter portion 169 is disposed distally toward the implant insertion end 12.

Referring to FIGS. 3, 5A-5D, the first wedge member 22 and the second wedge member 24 are configured for slidable coupling to the superior and inferior plates 18 and 20. The first and second wedge members 22 and 24 are configured similarly, and for illustrative purposes, only the first wedge member 22 will be described below. The first wedge member 22 defines a wedge body 74 extending along a wedge axis 3 between a narrow end 75 and an inner end 76 spaced from the narrow end 75. The wedge axis 3 is generally aligned with the implant axis 1 and extends along the longitudinal direction L. As show in FIGS. 3 and 7A, the first wedge narrow end 75 is positioned toward the outer or trailing end 14 of the implant 10, while the inner end 76 is positioned to face the distal or insertion end 12 of the implant 10. Further, the second wedge member 24 has a wedge body 174 that extends from a narrow end 175 to an inner end 176 along the wedge axis 3, wherein the narrow end 175 is positioned toward the distal or insertion end 12 of the implant 10 and the inner end 176 is positioned toward the proximal or trailing end 14 of the implant. Thus, the first wedge member 22 is positioned such that the inner end 76

of the first wedge member 22 and faces the inner end 176 of the second wedge member 24.

The body 74 defines a superior tip 76s spaced from an inferior tip 76i along a vertical direction V and disposed at the inner end 76. A first or inner wedge dimension H1 is defined as the distance between the superior and inferior tips 76s and 76i along the vertical direction V. The plate body 17 can define first plate dimension [L51] S1 (FIG. 4B) extending between the bone contacting surface 32 and the interior contact surfaces 34 and 38, while the plate body 21 can define a second plate dimension [52] S2 (FIG. 3) extending between the bone contacting surface 132 and the inner surfaces 134 and 138 (in similar fashion to the first plate dimension S1). In an embodiment, the first or inner wedge dimension H1 is about twice the distance of the first plate dimension [S] S1. In an embodiment, the first or inner wedge dimension H1 can be greater than or equal to the sum of the first plate dimension [S] S1 and the second plate dimension [52] S2. In an embodiment, the first or inner wedge dimension H1 can be less than or equal to sum of the first plate dimension S1 and second plate dimension [52] S2.

The body 74 defines a wedge shape configured for slidable coupling to the first and second plates 18 and 20. The body 74 defines a first or superior inclined surface 77 and a second inclined or inferior inclined surface 78 opposite the first incline surface 77. The first and second inclined surfaces 77 and 78 extend along the longitudinal direction L from the inner end 76 toward the narrow end 75. The first inclined surface 77 is angularly offset from a second inclined surface 78. In an embodiment, the first and second inclined surfaces form an angle  $\theta$  defined between intersecting lines coincident with the first and second inclined surfaces 77 and 78 (FIG. 5B). Angle  $\theta$  can vary as needed. The first inclined surface 77 can slidably mate with a ramp surface 46 on an interior the superior plate 18, while the second inclined surface 78 can slidably mate with a first ramp surface 146 on of the inferior plate 20. The body further defines a first side 79 and a second side 80 opposite the first side 79. The first and second sides 79 and 80 extend along the longitudinal direction L between the inner end 76 and the narrow end 75, and vertically along the vertical direction V between the first and second inclined surfaces 77 and 78.

The first wedge member 22 also includes one or more ridges 82 (82a-d) protruding from the body 74 along the transverse direction T. The ridges 82 are configured to couple the first wedge member 22 to the superior plate 18 and inferior plate 20. For instance, the one or more ridges 82 are slidably coupled to respective portions of the inclined connections grooves [60] 60a-60b, [62 160] 62a-62b, 160a-160b, [162] 162a-162b. Each ridge 82a-82d extends between the narrow end 75 and the inner end 76 of the body 74 generally along the wedge axis 3. Ridges 82a-82d also extend along the respective first and second inclined surfaces 77 and 78. Ridges 82a and 82c are angled only offset action angle with respect to ridges 82b and 82d. The vertically spaced apart ridges 82c and 82d disposed on the first side 79 of the body 74 can define a recess portion 86 which can receive the distally oriented projections 56b and 156b of the plates 18 and 20, respectively. The vertically spaced apart ridges 82a and 82b are disposed on the side 80 define recess portion 84 which receives the distally oriented projections 58b and 158b of the plate 18 and 20. The transversely spaced apart ridges 82a and 82c are received in the inclined connection grooves 60b and 62b of the superior plate. The other transversely spaced apart ridges 82b and 82d are received in the inclined connection grooves 160b and 162b of the inferior plate 20 (FIG. 3).

The wedge member body 74 also defines first bore 81 extending through the body 74 between the narrow end 75 and the inner end 76 along the wedge axis 3. The first bore 81 is configured to receive at least a portion of the actuation member 26. In an embodiment, the bore 81 is internally threaded to mate with a corresponding threaded portion of the actuation member 26. Further, the wedge member body 74 includes an additional bore or receiving a radiographic marker 70b therein.

The second wedge member 24 is configured similarly to the first wedge member 22. The second wedge member 24 defines a second body 174. The body 174 defines a narrow end 175 spaced apart from an inner end 176 along the wedge axis 3, first and second inclined surfaces 177 and 178, a plurality of ridges 182 extending from body 174, and a second bore 181 extending through the body 174 between the narrow and inner ends 175 and 176. The first and second sides 179 and 180 extend between the inclined surfaces 177 and 178. The body 174, for instance the body inner end 176 defines a superior tip 176s, spaced apart from an inferior tip 176i along a vertical direction V. The second wedge member has a wedge dimension H2 (not shown) defined as the distance between the superior tip 176s and the inferior tip 176i. H2 can be equal to H1. As shown in FIG. 3, the second wedge member 24 is spaced apart from the first wedge member 22 along the longitudinal direction L such that the inner end 175 of the second wedge member 24 faces the inner end 75 of the first wedge member 22. The second wedge member 24 also includes ridges 182a-182d that are similar to ridges 82a and 82d.

Continuing with FIGS. 3-4D, the actuation member 26 is configured to couple the first and second wedge members 22 and 24 together while also providing stability to the superior plate 18 and inferior plate 20 during implant expansion. The actuation member 26 extends along the longitudinal direction L between a distal end 27i and a proximal end 27e. The actuation member 26 defines a shaft 87 extending between the opposed ends 27i and 27e. The flange 28 protrudes from the shaft 87 along the transverse T or a radial direction R. The flange 28 defines a flange body 28b, a distal facing surface 29d and a proximal facing surface 29p spaced from the distal facing surface 29d along the longitudinal direction L. The flange body 28b is sized and dimensioned to slide within the slots 52 and 54 of plate 18, and slots 152 and 154 of the plate 20. The radial direction R can be aligned with the transverse direction T and the vertical direction and is used to indicate that the flange 28 protrudes radially from the shaft 87. The flange 28 can have other configurations, and as such Cartesian coordinates may better indicate directional components.

The shaft 87 can define a first threaded portion 88 disposed proximally relative to the flange 28, and a second threaded portion 89 disposed distally from the flange 28. The first shaft portion 88 can have a length L1 extending from the flange proximal face 29p to the proximal end 27e, and the second threaded portion 89 has a second length L2 extending from the flange distal face 29d to the distal end 27i, wherein the first length L1 is greater than the second length L2. The shaft 87 is configured to extend through the bore 81 of the first wedge member 22 and into the curvilinear portions 48 and 148 or access opening 50 of the plates. The first threaded portion 88 has a thread pattern that is oriented in the opposite direction of the thread pattern formed on the second threaded portion 89. The internal threads of the first and second bores 81 and 181 are in opposing orientations such that when the actuation member 26 rotates, the first and second wedge members 22 and 24

translate along the actuation member 26 toward each other or away from each depending on the rotation direction of the actuation member 26. The thread pattern on each portion may have the same pitch such that the first and second wedge members 22 and 24 can translate along the actuation member 26 at the same rate. The thread pitch can be different if needed when different distraction profiles are desired in the expanded configuration (e.g. kyphotic or lordotic). The proximal end 27e of the actuation member 26 can define a lip 94 configured to abut the narrow end 75 of the first wedge member 22. The lip 94 can help prevent displacement of the actuation member 26 from the first wedge member 22. The proximal end 27e of the actuation member 26 can define a socket 90 configured to receive or support a portion of an instrument, as further detailed below. The socket 90 can have any configuration as needed to receive an instrument, such as hex, Phillips, flat, star, etc.

The implant 10 as described herein can have initial dimensions and expanded dimensions. For, instance, the implant can have first implant height D1 defined between opposing portions 11a and 11b of the first and second bone contacting surfaces 32 and 132, and second implant height D2 defined between opposing portions 11a and 11b of the first and second bone contacting surfaces 32 and 132 when the implant is expanded (FIGS. 2A and 2B). In an embodiment, the first implant height D1 can range between 7 mm and 10 mm, and the second expanded height can range between 10 mm and 13 mm. For instance, in an embodiment, the first height can be 7 mm while the expanded, second height can be 10 mm. In another embodiment, the first height can be 9 mm and the expanded, second height D2 can be 13 mm. Other dimensions are possible as well. For example first heights can be up to 7 mm, 9 mm, or greater. The implant 10 can have length E defined between the distal or insertion end 12 and the proximal or trailing end 14. The length E can range between 24 mm and 32 mm. The length E, however, can be shorter than 24 mm or greater than 32 mm. Further, the implant is configured such the length E of the implant 10 is consistent regardless of when the implant 10 is in the collapsed configuration or when the implant 10 is in the expanded configuration. That is, the first and second wedge members 22 and 24 are configured such the opposed narrow ends 75 and 175 translate to, but do not protrude from the implant trailing end 14 or implant insertion end 12 when in the expanded configuration. This configuration improves implant stability.

Referring to FIGS. 8A-8C, the system as described herein includes one or more insertion tools. An insertion tool 100 can include a handle 105 and a shaft 104 extending from the handle toward an implant supporting end 107. The implant supporting end 107 is configured to support, for instance carry or engage with a portion of the implant 10. The implant supporting end 107 can include spaced apart tabs 101 and 102 configured and sized to be received in the implant indentations 98 and 99. When the implant tabs 101 and 102 engage the indentations 98 and 99, the tool 100 can position and/or insert the implant 10 into the intervertebral space 9. An additional tool 350 can be used to expand the implant 10 from the collapsed configuration to the expanded configuration. The tool 350 can include a handle 355 and a shaft 354 extending from the handle toward an implant supporting end 357. The implant supporting end 357 is configured to engage the actuation member 26, such that rotation of the tool 350 can cause rotation of the actuation member 56.

Referring to FIGS. 8D-8E, another embodiment a tool 300 can include a handle 302, tool housing 304 connected to the handle 302, and an elongate cannulated shaft 306 extend-

ing from the housing 304 toward an implant supporting end 307. The housing 304 and cannulated shaft 306 are elongate along an insertion tool axis 301. The housing 304 and cannulated shaft 306 define a cannulation (not shown) that extends through the housing 304 and shaft 306. The tool 300 also includes rotation member 318 that defines a rotation member 316 and an elongate rod 308 that extends from the rotation member 318 toward an engagement end 310 along the axis 301 as shown in FIG. 8D. The rotation member 318 is rotatable in the cannulation as well as slidable or translatable in the cannulation along the tool axis 301. The tool implant supporting end 307 includes a body 320 and tabs 312 and 314 extending from the body. The engagement end 310 of the rod 308 protrudes from the body 320 and is disposed between the tabs 312 and 314. Tool 300 can be used to clasp, insert, and then expand the implant. The tool 300 can be used to clasp the implant 10 by inserting the tabs 312 and 314 into the indentations 98 and 99 while the rotation member 318 can be slide into engagement with the actuation member 26. For instance, the engagement end 310 can be coupled to the opening 90 in the actuation member 26 while tabs 312 and 314 support the implant 10. The rotation member 318 can be rotated relative to the shaft 306 so that the actuation member 26 is rotated.

Referring to FIGS. 7A and 7B, implant 10 is configured to expand from the collapsed configuration C (FIG. 7A) to the expanded configuration E (FIG. 7B). When the first or collapsed configuration C, the first and second wedge members 22 and 24 are disposed in the implant such that the inner ends 76 and 176 face and are spaced apart from each other to define a gap therebetween. The actuation member 26 is coupled to the first and second wedge members 22 and 24 such that the first threaded portion 88 is disposed in the first bore 81 and the second threaded portion 89 is disposed in the second bore 181. The flange 28 extends between (in the sup) and along the opposed inner ends 76 and 176 of the first and second wedge members 22 and 24. The inclined surfaces 77 and 78 are adjacent to opposing plate ramp surfaces 46 and 146, while the second wedge member 24 inclined surfaces 177 and 178 are adjacent to opposing plate ramp surfaces 44 and 144. The inner end superior tips 76s and 176s extend into the lumen 30 and an into a plane containing the bone contacting surface 32, while the inner end tips 76i and 176i extend into the second lumen and to a plane containing the bone contacting surface 132. The flange distal face 29d abuts the inner end 176 of the second wedge member 24, while the flange proximal face 29p abuts the inner end 76 of the first wedge member 22. Portions of the first and second wedge members 22 and 24, for instance tips 76s-i and 176s-i, disposed in the lumens 30 and 31 allows for a wedge profile that aids plates 18 and 20 separation with relatively little advancement of the first and second wedge members 22 and 24 along the actuation member 26. For instance, the superior tips 76s and 176s extend to, for instance traverse, the first lumen axis 85 such that the tips are generally aligned with the bone contact surface 32 of the superior plate 18. The inferior tips 76i and 176i extend to, for instance traverse, the second lumen axis 85a such that the tips 76i and 176i are generally aligned with the bone contact surface 132 of the inferior plate 20.

Turning to FIGS. 7B and 8A-8F, when the actuation member 26 is rotated [for] via a tool [150] 300 or 350, the first threaded portion 88 of the actuation member 26 causes the first wedge member 22 to translate toward the trailing end 14 of the implant 10. The inclined surfaces 77 and 78 bears against the ramp surfaces 46 and 146 to separate the superior plate 18 from the inferior plate 20 along the vertical

direction. The ridges 82a-d slide along inclined connection grooves 60b, 160b, 62b, 162b (not shown in the FIG. 7B). While the first wedge member 22 is translating toward the implant trailing end 14, the second threaded portion 89 of the actuation member 26 engages the second bore 181 and causes the second wedge member 24 to translate toward the insertion end 12 of the implant 10. The inclined surfaces 177 and 178 of the second wedge member 24 slide along the ramp surfaces 44 and 144, so as to separate the superior plate 18 from the inferior plate 20 along the vertical direction V. The ridges 182a-182d slide along respective inclined connection grooves 60a, 160a, 62a, 162a (not shown in the FIG. 7B). The flange 28 remains disposed in the slots 52, 54, 152, 154 during actuation of the implant 10 and provides additional stability against shear when the implant 10 is expanded. The embodiment shown in FIGS. 7A and 7B illustrate the superior plate 18 separating from the inferior plate 20 along a vertical direction V while remaining generally parallel to each other. In other alternate embodiments, the implant can be configured to such that a lordotic or kyphotic distraction is achieved. For example, the threaded portions of the actuation member can be configured to cause one wedge member to translate at a faster rate compared to the other wedge member. In such an embodiment, when the implant 10 is expanded, the superior plate 18 will be angularly offset from the inferior plate 20.

Referring to FIGS. 9-11B, in accordance with [the] *an* alternative embodiment of an implant 110, the superior and inferior plates 18 and 20, and specifically the [interior] interiors thereof, include opposing depressions [49] 49a-49b, [149] 149a-149b extending from the lumens 30, 131, toward the opposing ends 12, 14 of the implant. The first and second members 222 and 224 may include projecting tabs 120, 121, 122, and 123 [(tab 121 not shown)] protrude from the inclined surfaces 277 and 278 of the first and second wedge members 222 and 224. Further, the actuation member 226 can have a shorter length *measured between proximal and distal ends 227e and 227i thereof* compared to actuation member 26 described above. Otherwise, the implant 110 shown in FIGS. 9-11B is similarly configured to implant 10.

Referring the FIGS. 10A-10C, the depressions 79 include a first [49A] depression 49a and a second depression [49B] 49b extending from the first and second ramp surfaces 44 and 46 along the vertical direction V. The depressions [49A, 49B] 49a, 49b define a shoulders 51a, 51b, 53a, 53b, against which a portion the wedge members 222 and 224 shoulder against when the implant is expanded.

Another aspect of the present disclosure is a method of inserting and expanding for inserting an expandable implant into an intervertebral space. The patient the intervertebral space 9 is prepared using familiar techniques. One or more trial implants may be used to determine the appropriate size of the implant 10. Using the tool 100 (FIG. 8A), the expandable implant can be clasped between the tabs 101 and 102. Next, the expandable implant 10 is inserted into the intervertebral space 9 at the appropriate position between the vertebral bodies using a unilateral and/or bilateral posterior approach or an anterior approach. Next, a tool 350 having configured to engage the opening 90 the actuation member 26 can be used to actuate. Rotating the tool 350 and actuation member 26 causes the actuating member 26 to separate the opposed wedge members 22 and 24 along the longitudinal direction L simultaneously, thereby causing the first plate to separate from the second plate along the second direction such that the first plate is parallel to the second plate during the expanding step.

In accordance with an alternative embodiment, the method of insertion and expansion can use a tool 300 shown in FIG. 8C-8F. For instance, the tool 300 can clasp the implant 10 by inserting the tool tabs 312 and 314 into the implant indentations 98 and 99. The rotation member 318 can be slid into engagement with the actuation member 26. The tool 300 can be used to insert the implant into the intervertebral space 9. When the implant 10 is in the appropriate position, the rotation member 318 can be rotated, which rotates the actuation member 26 such that the implant is expanded to the desired expansion height.

Although the disclosure has been described in detail, it should be understood that various changes, substitutions, and alterations can be made herein without departing from the spirit and scope of the invention as defined by the appended claims. Moreover, the scope of the present disclosure is not intended to be limited to the particular embodiments described in the specification. As one of ordinary skill in the art will readily appreciate from that processes, machines, manufacture, composition of matter, means, methods, or steps, presently existing or later to be developed that perform substantially the same function or achieve substantially the same result as the corresponding embodiments described herein may be utilized according to the present disclosure.

What is claimed:

1. An expandable implant for insertion in an intervertebral space defined between a first vertebral body and a second vertebral body, the implant defining an insertion end spaced apart from a trailing end along a longitudinal direction, the implant comprising:

a first plate defining a first connection groove and a first projection;

a second plate opposed to the first plate along a vertical direction that is perpendicular to the longitudinal direction, the second plate defining a second connection groove and a second projection, wherein the first and second projections are positioned between the first and second connection grooves with respect to the vertical direction;

a first wedge member and a second wedge member spaced from the first wedge member along the longitudinal direction, each wedge member defining:

an inner end and a narrow end spaced apart from the inner end along the longitudinal direction, each wedge member tapering from the inner end to the narrow end, the inner ends of each wedge member facing one another;

a first side surface and a second side surface spaced from the first side surface along a transverse direction that is perpendicular to the longitudinal and vertical directions;

a first ridge and a second ridge spaced from the first ridge with respect to the vertical direction, each of the first and second ridges 1) elongated in a direction extending from the narrow end to the inner end of the associated wedge member, and 2) protruding from one of the first and second side surfaces of the associated wedge member in the transverse direction,

wherein the first ridge is received within the first connection groove and overlaps the first projection in the [transverse] vertical direction so as to interlock the associated wedge member with the first plate, the second ridge is received within the second connection groove and overlaps the second projection in the [transverse] vertical direction so as to interlock the

15

associated wedge member with the second plate, and the first and second wedge members are configured to translate away from one another along the longitudinal direction along the first and second plates from a first contracted configuration of the first and second wedge members into a second separated configuration of the first and second wedge members; and

an actuation member coupled to the first wedge member and the second wedge member, the actuation member defining a shaft having a proximal end and a distal end spaced from the proximal end along the longitudinal direction, the shaft defining a first threaded portion and a second threaded portion proximal to the first threaded portion, the actuation member defining a flange extending toward the first and second plates, the flange disposed between the first and second threaded portions, the actuation member configured to translate the first and second wedge members from the first contracted configuration into the second separated configuration so as to separate the first plate from the second plate along the vertical direction,

*wherein the implant is configured to expand from a collapsed configuration into an expanded configuration, the expanded configuration is defined as when the first plate is spaced apart from the second plate along the vertical direction, and when the implant is in the collapsed configuration, the inner ends of each wedge member abut the flange.*

2. The implant of claim 1, wherein the first threaded portion has a first thread direction, and [a] the second threaded portion has a second thread direction that is different than the first thread direction.

3. The implant of claim 2, wherein the first wedge member includes a first bore extending along the first direction between the narrow end and the inner end of the first wedge member, and the second wedge member includes a second bore extending along the first direction between the narrow end and the inner end of the second wedge member, wherein the first bore at least partially receives the first threaded portion of the actuation member, and the second bore at least partially receives the second threaded portion of the actuation member.

4. The implant of claim 1, wherein the first plate defines a first proximal ramp inclined toward the trailing end of the implant, and the second plate defines a second proximal ramp inclined toward the trailing end of the implant, wherein either of the first or second wedge member is configured to translate along the first and second proximal ramp toward the trailing end of the implant.

5. The implant of claim 4, wherein the first plate defines a first distal ramp inclined toward the insertion end of the implant, and the second plate defines a second distal ramp inclined toward [either of] the insertion end of the implant, wherein the other of the first or second wedge member is configured to translate along the first and second distal ramp toward the insertion end of the implant.

6. The implant of claim 1, wherein each wedge member defines a body having a first inclined surface angularly offset from a second inclined surface, wherein the first and second inclined surfaces extend from the inner end toward the narrow end.

7. The implant of claim 6, wherein the first ridge extends along the first inclined surface, the second ridge extends along the second inclined surface, and the first and second ridges are configured to slidably couple with the first and second plates, respectively.

16

8. The implant of claim 6, wherein the first inclined surface defines a top surface of the associated wedge member, the second inclined surface defines a bottom surface of the associated wedge member, the first ridge is contiguous with the first inclined surface, and the second ridge is contiguous with the second inclined surface.

[9. The implant of claim 1, wherein the implant is configured to expand from a collapsed configuration into an expanded configuration, the expanded configuration is defined as when the first plate is spaced apart from the second plate along the vertical direction, and when the implant is in the collapsed configuration, the inner ends of each wedge member abut the flange.]

10. The implant of claim [9] 1, wherein the first plate defines a first lumen and the second plate defines a second lumen aligned with the first lumen, wherein when the implant is in the collapsed configuration, at least a portion of the first wedge member and the second wedge member is at least partially disposed in the first lumen and the second lumen.

11. The implant of claim 10, wherein the inner end of each wedge member includes a superior tip and an inferior tip spaced apart from the superior tip along the vertical direction, wherein when the implant is in the collapsed configuration, the superior tip extends into the first lumen and is at least aligned with a first bone contacting surface of the first plate, and the inferior tip extends into the second lumen and is at least aligned with a second bone contacting surface of the second plate.

12. The implant of claim 1, wherein the inner ends of the first and second wedge members are spaced apart to at least partially define a gap extending therebetween, and the flange is configured to extend through the gap and at least partially into the first and second plates.

13. The implant of claim 12, wherein when the first wedge member and the second wedge member separate from the first contracted configuration into the second separated configuration, the dimension of the gap is increased.

14. The implant of claim 1, wherein the first and second connection grooves and the first and second ridges are each sloped with respect to the longitudinal direction.

15. The implant of claim 14, wherein the first and second ridges are configured to ride along the first and second connection grooves, respectively, responsive to translation of the associated wedge member from the first contracted configuration to the second separated configuration so as to separate the first plate from the second plate along the vertical direction.

16. The implant of claim 1, wherein each wedge member further comprises a third ridge and a fourth ridge spaced from the third ridge with respect to the vertical direction, wherein,

the third ridge protrudes, in the transverse direction, from the other of the first and second side [surface] surfaces of the associated wedge member from which the first ridge protrudes;

the fourth ridge protrudes, in the transverse direction, from the other of the first and second side surfaces of the associated wedge member from which the second ridge protrudes; and

each of the third and fourth ridges is elongated in a direction extending from the narrow end to the inner end of the associated wedge member.

17. The implant of claim 16, wherein the first and third ridges are parallel with each other, and the second and fourth ridges are parallel with each other.

17

18. The implant of claim 1, wherein:  
 the first wedge member defines a first threaded feature  
 coupled to the first threaded portion of the shaft;  
 the second wedge member defines a second threaded  
 feature coupled to the second threaded portion of the  
 shaft; and  
 the actuation member is configured to translate the first  
 and second wedge members from the first contracted  
 configuration into the second separated configuration  
 responsive to rotation of the shaft about [the] a central  
 axis of the shaft; and  
 the first and second threaded portions of the shaft have  
 different thread pitches so as to cause the first and  
 second wedge members to translate at different rates  
 responsive to rotation of the shaft in a manner causing  
 the first and second plates to be separated by a first  
 distance in the vertical direction at the insertion end and  
 by a second distance in the vertical direction at the  
 trailing end, and the first distance is different than the  
 second distance.

19. An implant for insertion in an intervertebral space  
 defined between a first vertebral body and a second vertebral  
 body, the implant defining an insertion end spaced apart  
 from [an] a trailing end along a first direction, the implant  
 comprising:

a first plate defining a first connection groove and a first  
 projection;

a second plate opposing the first plate along a second  
 direction that is perpendicular to the first direction, the  
 second plate defining a second connection groove and  
 a second projection, wherein the first and second pro-  
 jections are positioned between the first and second  
 connection grooves with respect to the second direc-  
 tion;

a first wedge member and a second wedge member spaced  
 apart from the first wedge member along the first  
 direction so as to define at least a gap between the first  
 and second wedge members, each wedge member  
 defining:

a first end and a second end spaced from the first end  
 along the first direction, the first ends of each wedge  
 member facing one another so as to define [a] the gap  
 therebetween;

a first side surface and a second side surface spaced  
 from the first side surface along a third direction that  
 is perpendicular to the first and second directions;

a first ridge and a second ridge spaced from the first  
 ridge with respect to the second direction, each of the  
 first and second ridges 1) elongated in a direction  
 extending from the first end to the second end of the  
 associated wedge member, and 2) protruding from  
 one of the first and second side surfaces of the  
 associated wedge member in the third direction,

wherein the first ridge is received within the first  
 connection groove and overlaps the first projection in  
 the [third] second direction so as to interlock the  
 associated wedge member to the first plate, the  
 second ridge is received within the second groove  
 and overlaps the second projection in the [third]  
 second direction so as to interlock the associated  
 wedge member to the second plate, and the first  
 wedge member and the second wedge member are  
 translatable along the first and second plates along  
 the first direction;

an actuation member defining a shaft having a first  
 threaded portion coupled to the first wedge member and  
 a second threaded portion spaced from the first

18

threaded portion along the first direction, the second  
 threaded portion coupled to the second wedge member;  
 and

a flange extending radially from the actuation member at  
 least partially into the gap and at least partially into the  
 first and second plates, the flange disposed between the  
 first and second threaded portions of the shaft, wherein,  
 when the actuation member is actuated, the first wedge  
 member and the second wedge member separate from  
 each other along the first direction so as to separate the  
 first plate from the second plate along the second  
 direction,

wherein the implant is configured to expand from a  
 collapsed configuration into an expanded configura-  
 tion, the expanded configuration is defined as when the  
 first plate is spaced apart from the second plate along  
 the vertical direction, and when the implant is in the  
 collapsed configuration, the inner ends of each wedge  
 member abut the flange.

20. The implant of claim 19, further comprising a first  
 lumen extending through the first plate, and a second lumen  
 extending through the second plate and axially aligned with  
 the first lumen.

21. The implant of claim 20, wherein the first plate defines  
 a bone contacting surface and an inner surface opposed to  
 the bone contacting surface, the inner surface defining a first  
 ramp that extends from the first lumen toward the [first]  
 insertion end[of the first plate], and a second ramp extending  
 from the first lumen toward the [second] trailing end[of the  
 first plate], wherein the first and second ramps slidingly mate  
 with the respective first and second [first] wedge members.

22. The implant of claim 21, wherein at least the first ramp  
 defines an elongate depression, wherein the elongate depres-  
 sion is configured to receive a tab extending from either of  
 the first wedge member or the second wedge member along  
 the second direction, wherein [the tab is configured to abut]  
 a portion of the depression is configured to abut the tab so  
 as to limit advancement of the first and second wedge  
 members relative to the first plate.

23. The implant of claim 21, wherein the second plate  
 defines a second bone contacting surface and an inner  
 surface opposed to the second bone contacting surface, the  
 inner surface of the second plate defining a first ramp that  
 extends from the second lumen toward the [first] insertion  
 end[of the second plate], and a second ramp extending from  
 the second lumen toward the [second] trailing end[of the  
 second plate], wherein the first and second ramps slidingly  
 mate with the respective first and second [first] wedge  
 members.

24. The implant of claim 19, wherein the first plate defines  
 a first bone contacting surface extending between the trailing  
 end and the insertion end, and a first pair of opposed walls  
 extending from the first bone contacting surface along the  
 second direction, and the second plate defines a second bone  
 contacting surface extending between the trailing end and  
 the insertion end, the second bone contacting surface spaced  
 from the first bone contacting surface along the second  
 direction, and the second [bone] plate defines a second pair  
 of opposed walls extending from the second bone contacting  
 surface along the second direction toward the first plate,  
 wherein the first and second pair of opposed walls each at  
 least partially define a cavity configured to support the first  
 and second wedge members.

25. The implant of claim 24, wherein one of the first pair  
 of opposed walls defines at least one slot disposed between  
 the insertion end and the trailing end, wherein the at least  
 one slot is configured to receive a portion of the flange.

26. The implant of claim 24, wherein the first pair of opposed walls each define a first and second opposing slot, and the second pair of opposed second walls define a third and fourth opposing slot, wherein the first, second, third, and fourth opposing slots are disposed between the insertion end and the trailing end of the implant, and each slot is configured to receive a portion of the flange.

27. The implant of claim 24, wherein at least one wall of the first or second pair of opposed walls defines the first connection groove and the first projection, and the first connection groove is recessed into the at least one wall along the third direction.

28. *A system for replacing an intervertebral disc with an intervertebral spacer to fuse two adjacent vertebral bodies, the system comprising:*

*an expandable implant configured for insertion into an intervertebral space, the implant defining an insertion end spaced from a trailing end along a longitudinal direction, the implant comprising:*

*a superior plate and an inferior plate opposite the superior plate along a vertical direction perpendicular to the longitudinal direction, the superior plate defining a first sidewall and a second sidewall spaced from the first sidewall along a transverse direction that is perpendicular to the longitudinal and vertical directions, wherein the first sidewall defines a first slot and the second sidewall defines a second slot aligned with the first slot along the transverse direction, and each of the first and second slots is partially defined by opposed surfaces that face each other along the longitudinal direction in the respective first and second sidewalls;*

*a first wedge member and a second wedge member spaced from the first wedge member along the longitudinal direction, wherein the first and second wedge members are coupled to the superior and inferior plates, each wedge member being tapered so as to define at least a superior inclined surface; and an actuation member configured to cause the first and second wedge members to translate along the longitudinal direction so as to cause the superior inclined surface of each wedge member to bear against the superior plate, thereby expanding the implant from a collapsed configuration to an expanded configuration by increasing a distance between the superior and inferior plates along the vertical direction, wherein the actuation member defines a flange, and the first and second slots are configured to slidingly and matingly receive respective portions of the flange such that relative sliding motion occurs between the flange and the first and second slots as the distance between the superior and inferior plates increases; and*

*an elongate member elongate along an axis, the elongate member having an engagement end configured to engage the actuation member, wherein the elongate member is movable to actuate the actuation member,*

*thereby causing the first and second wedge members to translate along the longitudinal direction.*

29. *The system of claim 28, wherein 1) each wedge member defines a first end and a second end spaced from each other along the longitudinal direction, and the superior inclined surface of each wedge member is tapered between the respective first and second ends.*

30. *The system of claim 29, wherein the superior plate defines a first lumen and the inferior plate defines a second lumen aligned with the first lumen along the vertical direction, wherein when the implant is in the collapsed configuration, at least one of the first and second wedge members is at least partially disposed in the first lumen.*

31. *The system of claim 30, wherein the first or second end of each of the first and second wedge members includes a superior tip, wherein when the implant is in the collapsed configuration, the superior tip of the at least one of the first and second wedge members extends into the first lumen and is at least aligned with a first bone contacting surface of the superior plate along the longitudinal direction.*

32. *The system of claim 30, wherein:*

*the superior plate defines a first proximal ramp that extends from the first lumen toward the trailing end and a first distal ramp that extends from the first lumen toward the insertion end, the first proximal ramp is inclined toward the first lumen, and the first distal ramp is inclined toward the first lumen;*

*the superior inclined surface of the first wedge member is configured to slidably mate with the first proximal ramp; and*

*the superior inclined surface of the second wedge member is configured to slidably mate with the first distal ramp.*

33. *The system of claim 29, wherein the inferior plate defines first and second sidewalls opposite each other along the transverse direction, wherein:*

*the first sidewall of at least the inferior plate defines a first indentation at the trailing end, and*

*the second sidewall of at least the inferior plate defines a second indentation at the trailing end, wherein the first indentation is spaced from the second indentation along the transverse direction, and the first and second indentations are configured to receive respective first and second tabs of an implant-supporting member.*

34. *The system of claim 33, wherein the actuation member defines a socket, the engagement end of the elongate member is receivable within the socket for rotatably coupling with the actuation member, and each of the first indentations and the second indentations is offset from the socket along the transverse direction.*

35. *The system of claim 28, wherein the flange is disposed between the first and second wedge members with respect to the longitudinal direction.*

36. *The system of claim 35, wherein the flange defines a distal facing surface and a proximal facing surface spaced from each other along the longitudinal direction.*