



US00RE49944E

(19) **United States**  
(12) **Reissued Patent**  
**Hancock**

(10) **Patent Number: US RE49,944 E**  
(45) **Date of Reissued Patent: Apr. 30, 2024**

(54) **WALL PROTECTOR EXTENDER**  
(71) Applicant: **Tate D. Hancock**, Wichita, KS (US)  
(72) Inventor: **Tate D. Hancock**, Wichita, KS (US)  
(21) Appl. No.: **29/855,713**  
(22) Filed: **Oct. 6, 2022**

*Primary Examiner* — Philip S Hyder  
(74) *Attorney, Agent, or Firm* — Stinson LLP

(57) **CLAIM**

The ornamental design for a wall protector extender, as shown and described.

**Related U.S. Patent Documents**

Reissue of:

(64) Patent No.: **Des. 933,468**  
Issued: **Oct. 19, 2021**  
Appl. No.: **29/691,983**  
Filed: **May 21, 2019**

(51) **LOC (14) Cl.** ..... **08-09**

(52) **U.S. Cl.**  
USPC ..... **D8/402**

(58) **Field of Classification Search**  
USPC ..... D8/402, 404, 499  
CPC . Y10T 16/6285; Y10T 16/628; Y10T 16/629;  
E05F 5/02; E05F 5/06; A47B 2230/0077;  
A47B 2230/0081; A47B 47/025; A47B  
47/042; E04F 19/026; E04F 11/1804  
See application file for complete search history.

(56) **References Cited**

**U.S. PATENT DOCUMENTS**

D27,468 S 8/1897 Smith  
D28,857 S 6/1898 Taplin  
D89,325 S 2/1933 Wolfman  
D122,800 S 10/1940 Mann et al.  
D235,620 S 7/1975 Forseth

(Continued)

**OTHER PUBLICATIONS**

“Low—Profile Wall Nanny”, posted at amazon.conn , posting date Aug. 8 , 2017 , [ online ], [ site visited Mar. 23, 2018 ]. Available from Internet , URL : https : //www.amazon.conn/dp/B073XNMDNX ( Year :2017 ).

(Continued)

**DESCRIPTION**

FIG. 1 is a top-down three-dimensional isometric view of a wall protector extender according to the present design.

FIG. 2 is a bottom isometric view thereof;

FIG. 3 is a front elevational view thereof, the rear elevational view being a mirror image of FIG. 3;

FIG. 4 is a top plan view thereof;

FIG. 5 is a bottom plan view thereof;

FIG. 6 is a sectional view taken about the line indicated in FIG. 5; [and,]

FIG. 7 is a sectional view taken about the line indicated in FIG. 4[.];

*FIG. 8 is a top-down three-dimensional isometric view of a wall protector extender according to the present design.*

*FIG. 9 is a bottom isometric view thereof;*

*FIG. 10 is a front elevational view thereof, the rear elevational view being a mirror image of FIG. 10;*

*FIG. 11 is a top plan view thereof; and,*

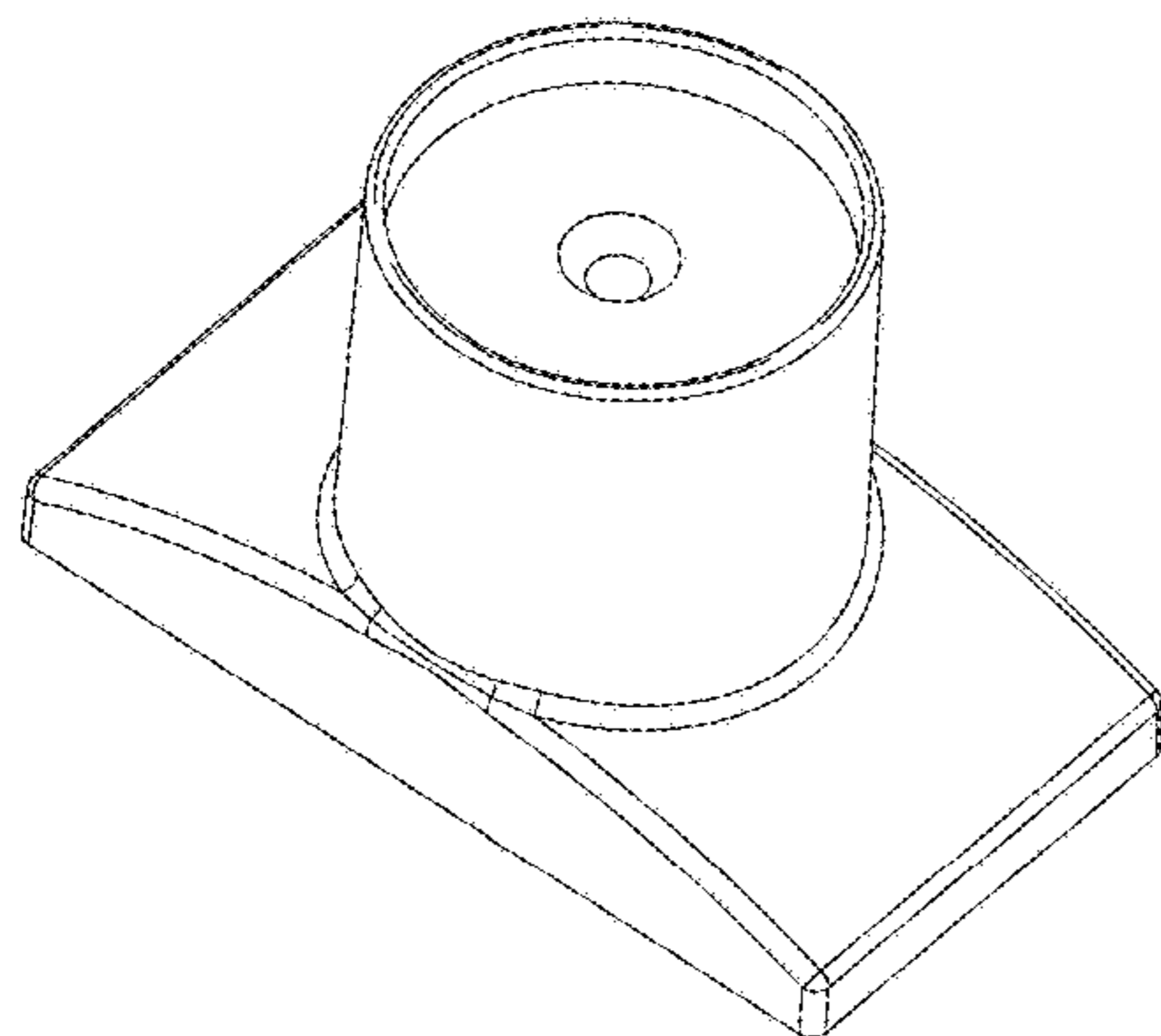
*FIG. 12 is a bottom plan view thereof.*

*Broken lines in dash-dash illustrate unclaimed portions of the wall protector extender.*

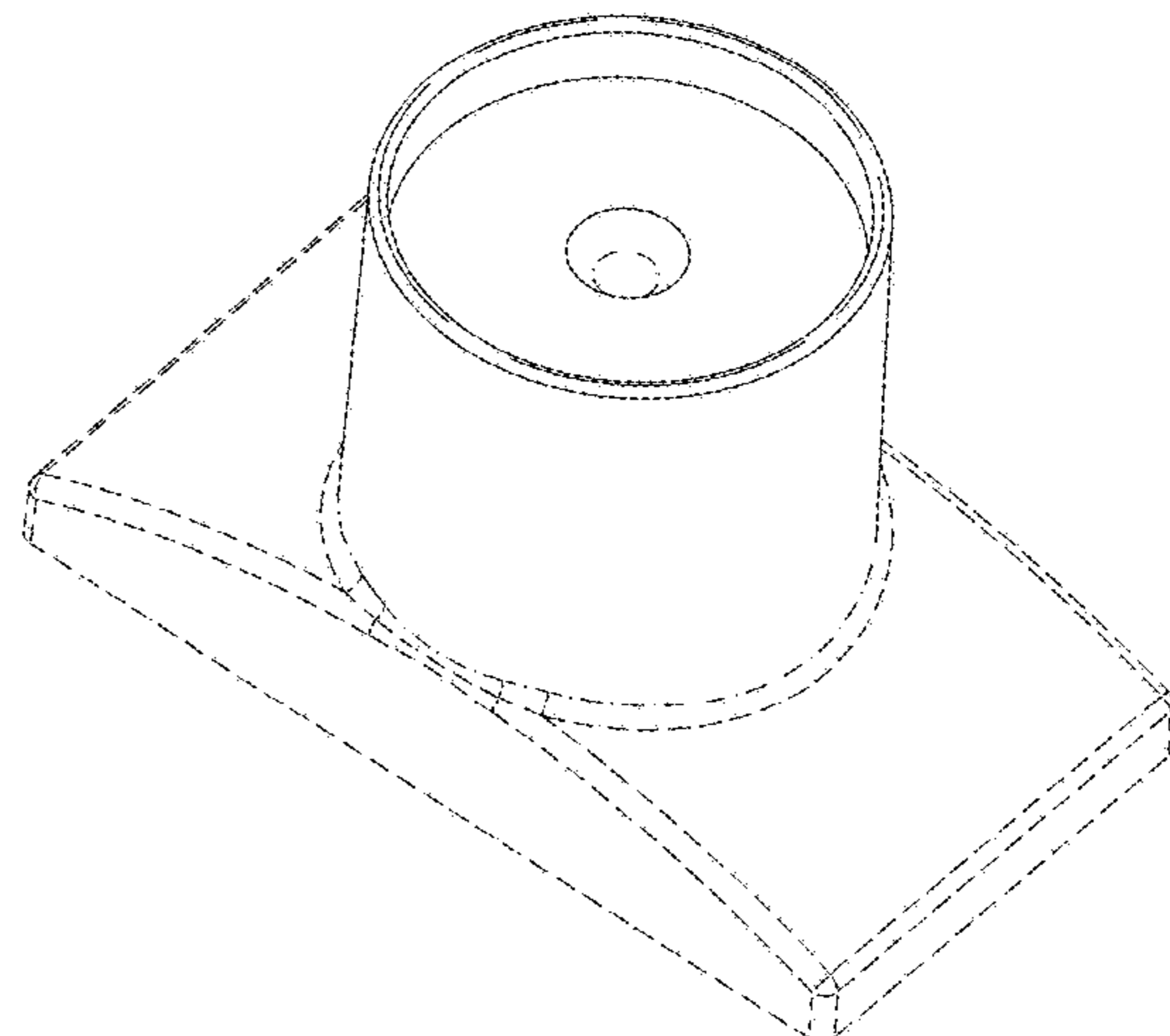
*Broken lines in dash-dot illustrate unclaimed boundary lines between claimed and unclaimed portions of the wall protector extender.*

**1 Claim, 12 Drawing Sheets**

**Matter enclosed in heavy brackets [ ] appears in the original patent but forms no part of this reissue; matter printed in italics indicates the additions made by reissue.**



(NEW)



(Amended)

(56)

References Cited

U.S. PATENT DOCUMENTS

4,042,199 A \* 8/1977 Winkler ..... A47B 91/00  
5/310

D288,291 S 2/1987 Angle  
D288,525 S 3/1987 Angle  
4,694,863 A \* 9/1987 Klopp ..... F16L 57/005  
138/96 R

D324,170 S 2/1992 Owens et al.  
D328,419 S \* 8/1992 Brayford ..... E05F 5/06  
D8/402

D329,590 S \* 9/1992 Chapman ..... D8/322  
D336,843 S \* 6/1993 Hurst ..... D8/374  
D352,889 S 11/1994 Crowther et al.  
D366,616 S \* 1/1996 Knickerbocker ..... D9/445  
D368,022 S 3/1996 Angle  
D379,922 S \* 6/1997 Adams ..... D8/402  
D403,750 S 1/1999 Fabian  
D404,992 S \* 2/1999 Sittig ..... A47B 91/00  
D8/374

D407,303 S 3/1999 Engberg  
D412,106 S 6/1999 Kennard, IV  
D418,745 S 1/2000 Berger  
D423,340 S \* 4/2000 Sittig ..... D8/374  
D433,320 S 11/2000 Ware et al.  
D438,784 S \* 3/2001 Berger ..... D8/402  
6,295,697 B1 \* 10/2001 Simon ..... E05F 5/02  
16/86 A

D481,624 S 11/2003 Miskill  
D481,652 S 11/2003 Kamysiak  
D486,061 S \* 2/2004 Mullins ..... D8/400  
6,715,840 B2 \* 4/2004 Martin ..... A47C 7/002  
297/463.1

D493,095 S \* 7/2004 Sittig ..... D8/374  
D498,412 S \* 11/2004 Pehta ..... D8/374  
6,938,966 B1 9/2005 Rouwhorst et al.  
D526,189 S 8/2006 Haymond  
7,243,395 B2 \* 7/2007 Haymond ..... E05F 5/06  
16/86 B

D553,487 S 10/2007 Quan  
7,412,751 B2 \* 8/2008 Forrest ..... E05F 5/06  
16/85

D605,935 S \* 12/2009 Zeyfang ..... D8/402  
D652,289 S \* 1/2012 Vu ..... D6/709  
D668,138 S 10/2012 Aquil  
D677,149 S \* 3/2013 Hammer ..... D8/402  
D683,425 S \* 5/2013 Koiwa ..... D23/214  
D721,418 S \* 1/2015 Koiwa ..... D23/214  
D721,419 S \* 1/2015 Koiwa ..... D23/214  
D741,690 S 10/2015 Collins, IV  
D743,852 S 11/2015 Rouzaud  
D772,695 S 11/2016 Burge  
D772,696 S 11/2016 Burge  
D783,386 S 4/2017 Collins, IV  
D793,786 S \* 8/2017 Rawls-Meehan ..... D6/709  
D799,215 S \* 10/2017 Pacha ..... D3/318  
D821,191 S \* 6/2018 Hancock ..... D8/402  
D829,091 S \* 9/2018 Hancock ..... D8/402  
D837,638 S \* 1/2019 Sargent ..... D8/380  
D837,910 S \* 1/2019 Norcross ..... D21/715  
D862,212 S \* 10/2019 Moriarty ..... D8/374  
D889,941 S \* 7/2020 McCoy ..... D8/354  
D890,598 S \* 7/2020 Chase ..... D8/374

2004/0129186 A1 7/2004 Curiger  
2004/0221539 A1 11/2004 Rouail  
2008/0135567 A1 6/2008 McGee  
2010/0132161 A1 \* 6/2010 Vu ..... E05F 5/08  
16/404

2012/0023707 A1 2/2012 Edwards  
2015/0305318 A1 \* 10/2015 Moriarty ..... F15B 15/18  
43/113

2016/0352054 A1 12/2016 Xiang et al.  
2017/0231399 A1 8/2017 Backus, III  
2020/0026150 A1 \* 1/2020 Decker ..... G03B 11/041

OTHER PUBLICATIONS

“Wall Protector 2x2”, posted at hdsupplysolutions.com , posting date Internnoett, UgiRvLen : , h[t otnplsi :n/ e/ ]h , d[ s s u i p t p e l v y i s s o i l t u e t d i M o a n r s . . . c 2 0 3 n n , / 2 s 0 h 1 o 8 p / ] p . / A w v a a l l i l l - a p b r l o e t e f c r t o o m r 2 - x - 2 - s e l f - a d h e s i v e - i v o r y - p a c k a g e - o f - 5 - p 8 0 7 8 5 1 ( Year : 2018 ).

“Wall Saver for Pressure Gates , 2 Pack , by Safety Innovations”, www.amazon.com product search , https://www.amazon.com/Wall-Saver - Pressure - Gates - Pack / dp / BOORYWO8BY / ref = sr\_1\_6\_a\_it ? ie = UTF8 & qid = 1484754901 & sr = 8-6 & keywords = wall + saver , Jan. 18, 2017 , 1-14.

“Newkiton 4 Pcs/Set Wall Guard for Pressure Gates”, posted at amazon.com, posting date not given, [online], [site visited Mar. 23, 2018.] Available from Internet, URL: https://www.amazon.com/dp/B01MXYINK5/ref=sspa\_dk\_detail\_1?psc=1 (Year: 2017).

“Wall Saver for Pressure gates, 2 Pack, by Safety Innovations”, www.amazon.com product search, URL: https://www.amazon.com/Wall-Saver-Pressure-Gates-Pack/dp/B00RYWO8BY/ref=sr\_1\_6\_a\_it?e=UTF8&qid=1484754901&sr=8-6&keywords=wall+saver, Jan. 18, 2017, 1-14.

Baby Gate Wall Protector, Date Visited: Apr. 20, 2021, Wall Nanny, Date Available: Apr. 20, 2021, www.wallnanny.com (Year: 2021).\*

Wall Door Knob Bumpers, Date Visited: Apr. 20, 2021, D. Lawless Hardware, Date Available: Apr. 20, 2021, https://www.dlawlesshardware.com/knobbumper.html (Year: 2021).\*

Wall Nanny Amazon, Date Visited: Apr. 20, 2021, Amazon, Date Available: Nov. 14, 2019, https://www.amazon.co.uk/Wall-Nanny-Extender-Extension-Stabilizes/dp/B081JB81L6 (Year: 2019).\*

Wall Nanny Extender Delivers Options for Protecting, Date Visited: Apr. 15, 2021, Marketersmedia.com, Date Available: Feb. 25, 2020, https://marketersmedia.com/wall-nanny-extender-delivers-options-for-protecting-parents-most-valuable-assets/88947676 (Year: 2020).\*

“Baby Gate Wall Cups”, posted at amazon.com, posting date not given, [online], [site visited Mar. 23, 2018]. Available from Internet, URL: https://www.amazon.com/Bumpers-Doorway-Baseboard-Pressure-Mounted/dp/B01L8B1RZG/ (Year: 2018).

“Baby Gate Wall Protector Cups”, posted at amazon.com, posting date not given, [online], [site visited Mar. 23, 2018]. Available from Internet, URL: https://www.amazon.com/dp/B077M5ZD8L/ (Year: 2018).

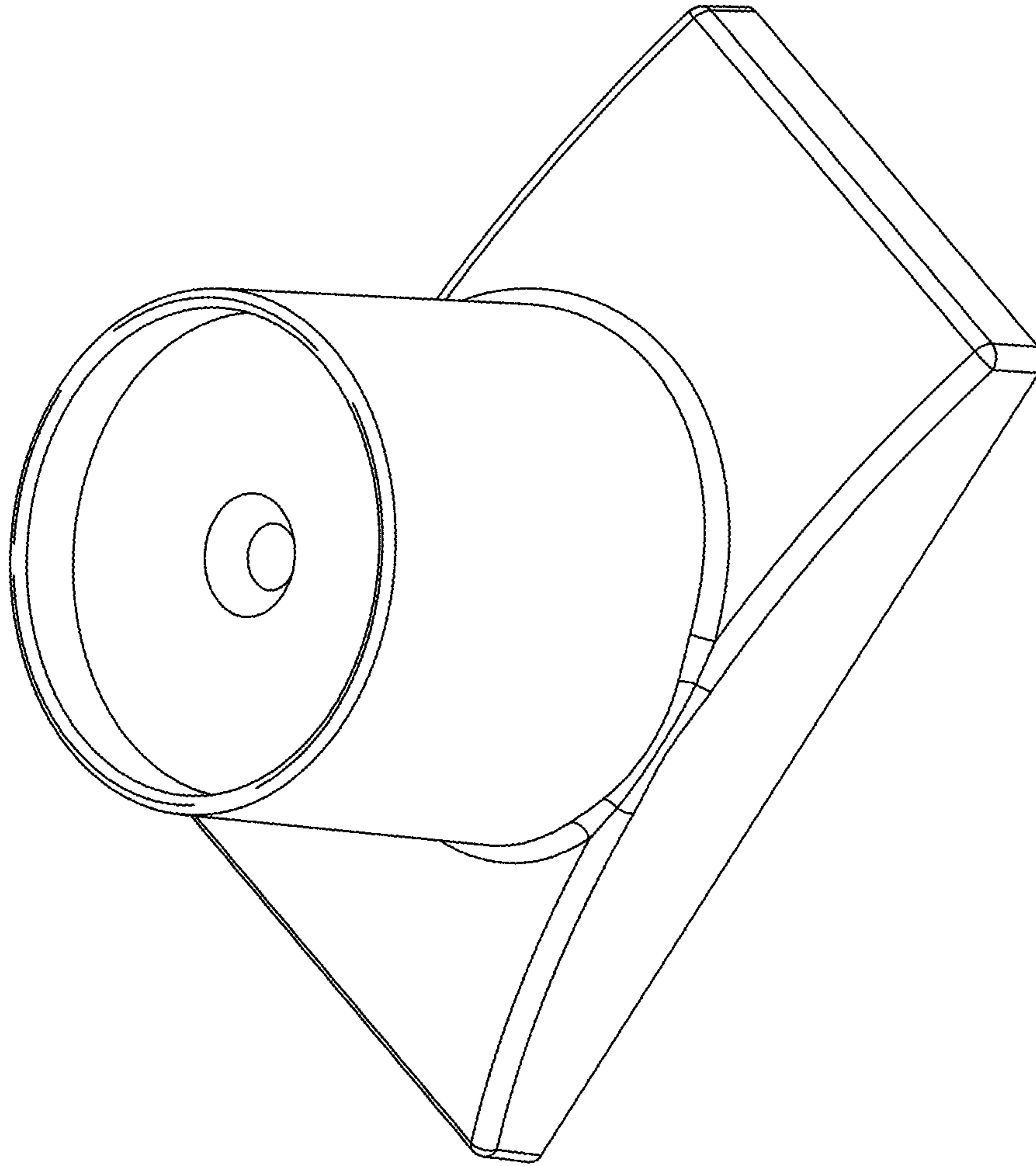
“Low-Profile Wall Nanny”, posted at amazon.com, posting date Aug. 8, 2017, [online], [site visited Mar. 23, 2018]. Available From Internet, URL: https://www.amazon.com/dp/B073XNMDNX/ (Year: 2017).

“Pressure Gate Wall Protector with Motion Sensor LED Nightlight”, posting date not given, [online], [site visited Mar. 23, 2018]. Available for internet, URL: https://www.amazon.com-Indoor-Pressure-Protector-Motion-Nightlight/B06X16W1ZX (Year: 2018).

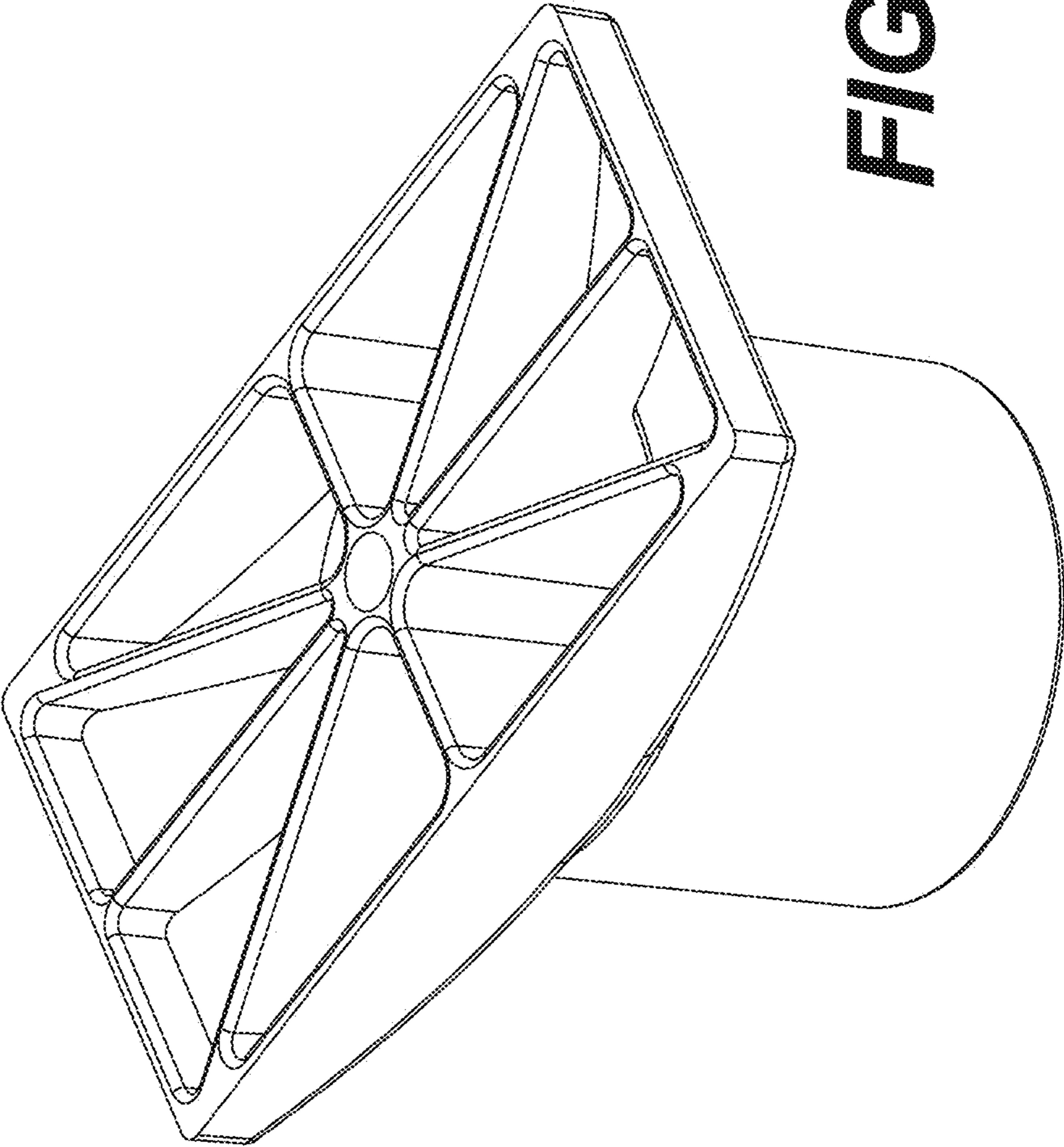
“Prime Line Hexagon Wall Protector”, posted at homedepot.com, posting date not given, [online], [site visited Mar. 23, 2018]. Available from Internet, URL: https://www.homedepot.com/p/Prinne-Line-5-in-Hexagon-Wall-Protector-U-9140/100546208 (Year: 2018).

“Wall Nanny”, posted at amazon.com, posting date Jan. 20, 2017, [online], [site visited Mar. 23, 2018]. Available from Internet, URL: https://www.amazon.com/VVall-Nanny-Pack-Protector-Spindles/dp/B06XK2T96P/ (Year: 2017).

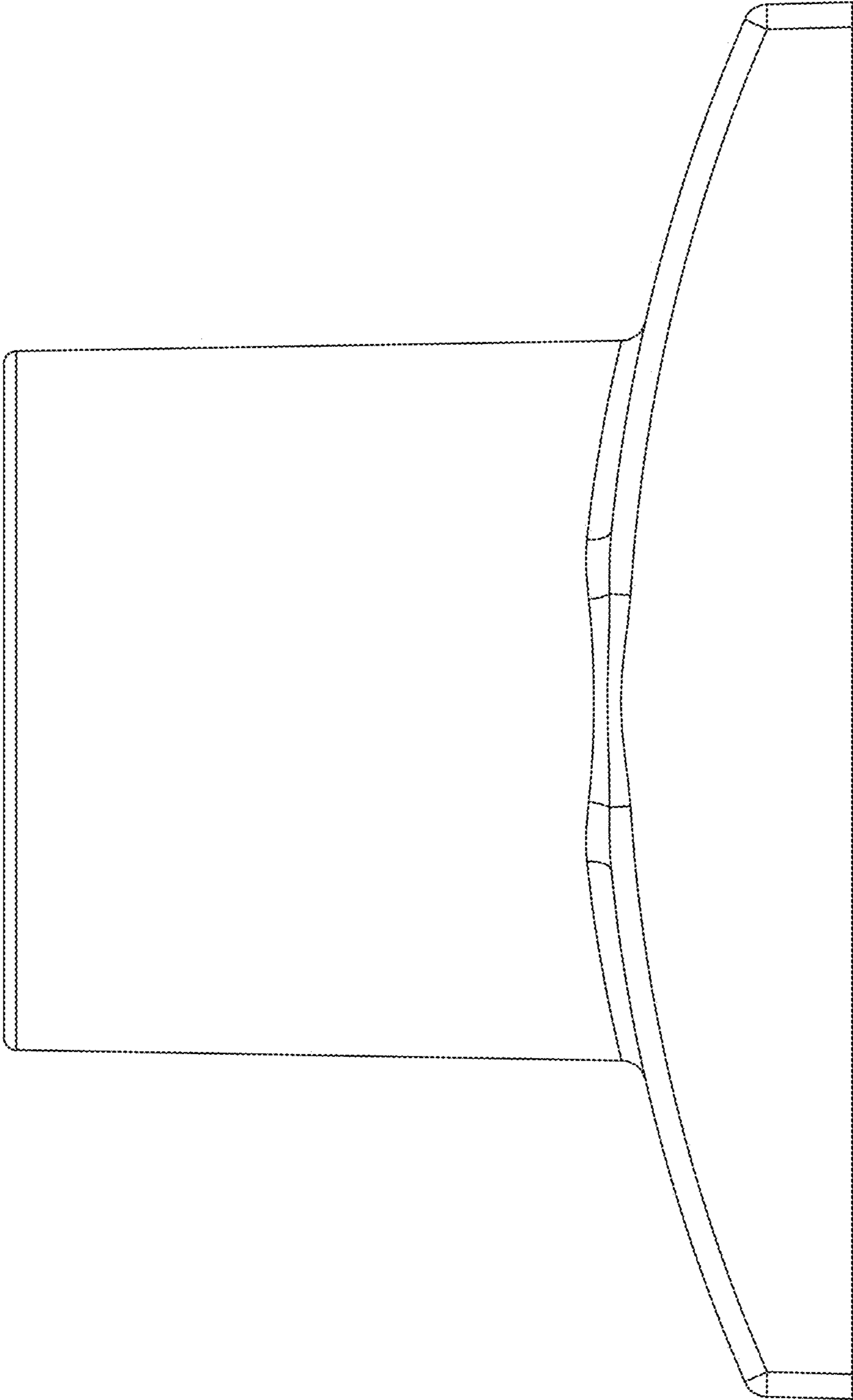
\* cited by examiner



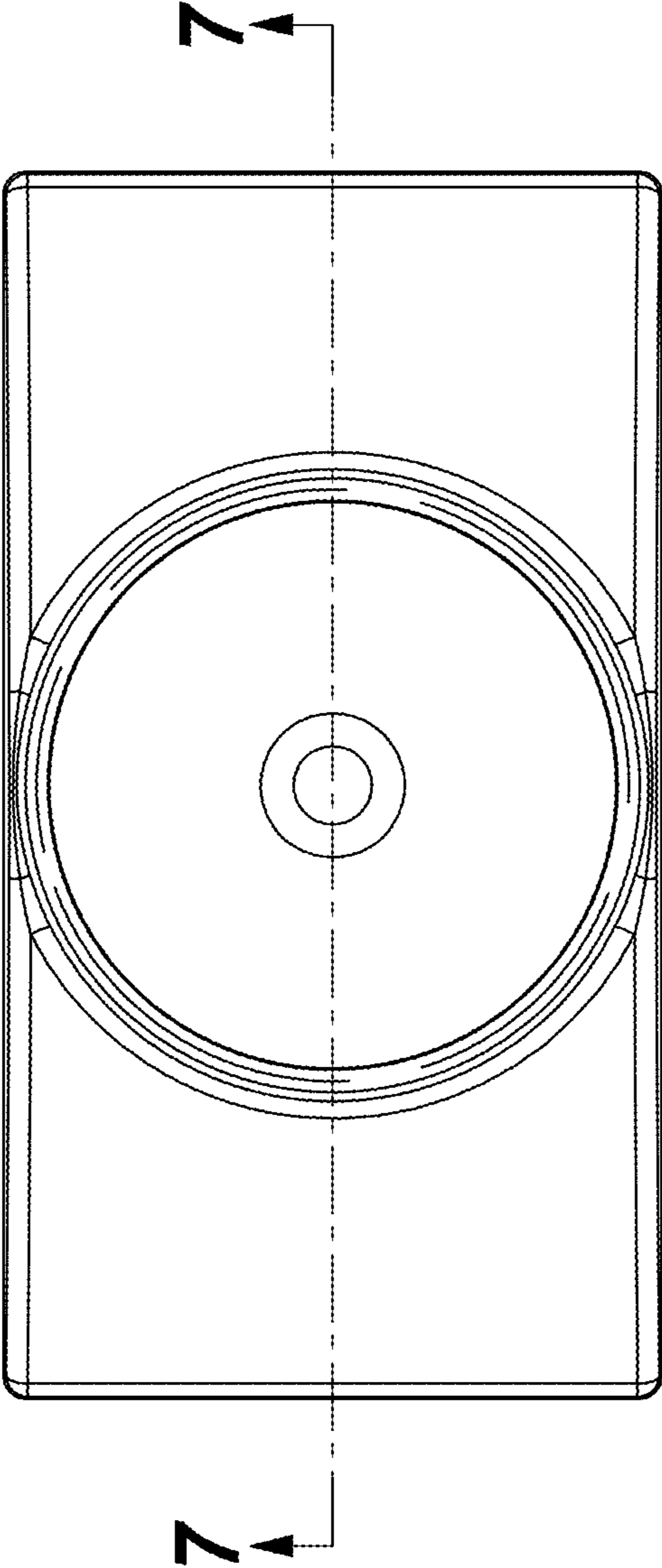
**FIG. 1**  
(Amended)



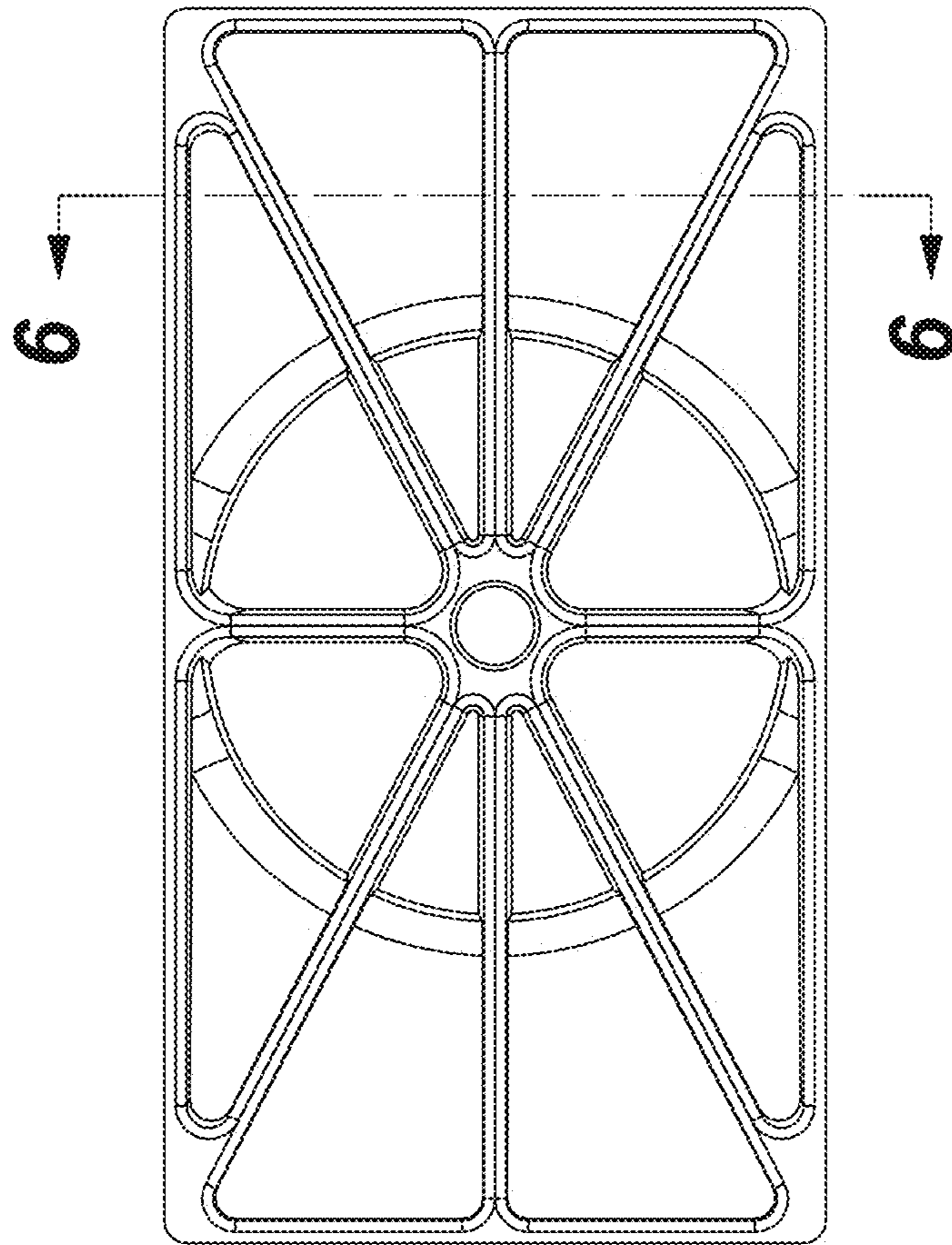
**FIG. 2**



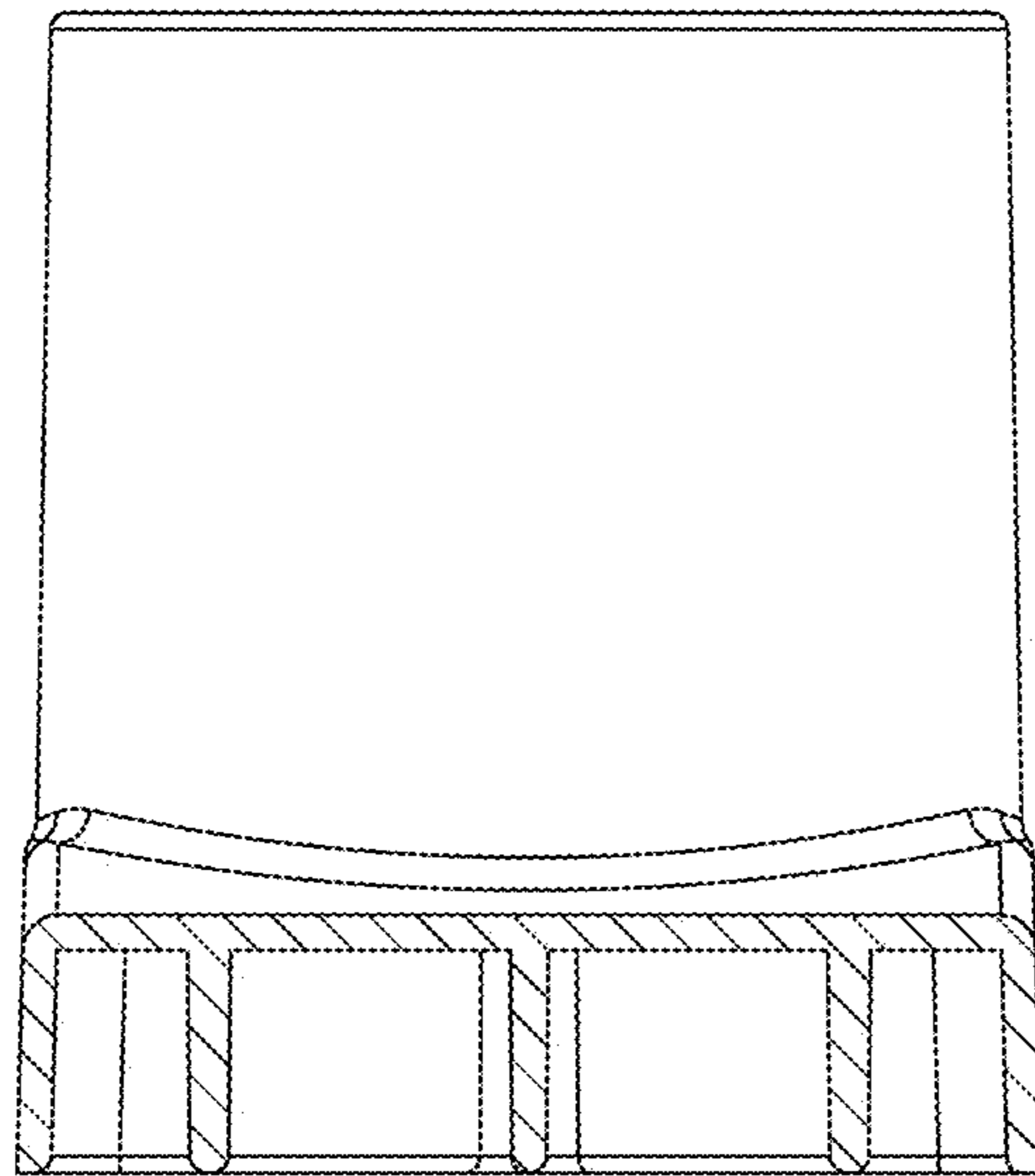
**FIG. 3**



**FIG. 4**  
(Amended)

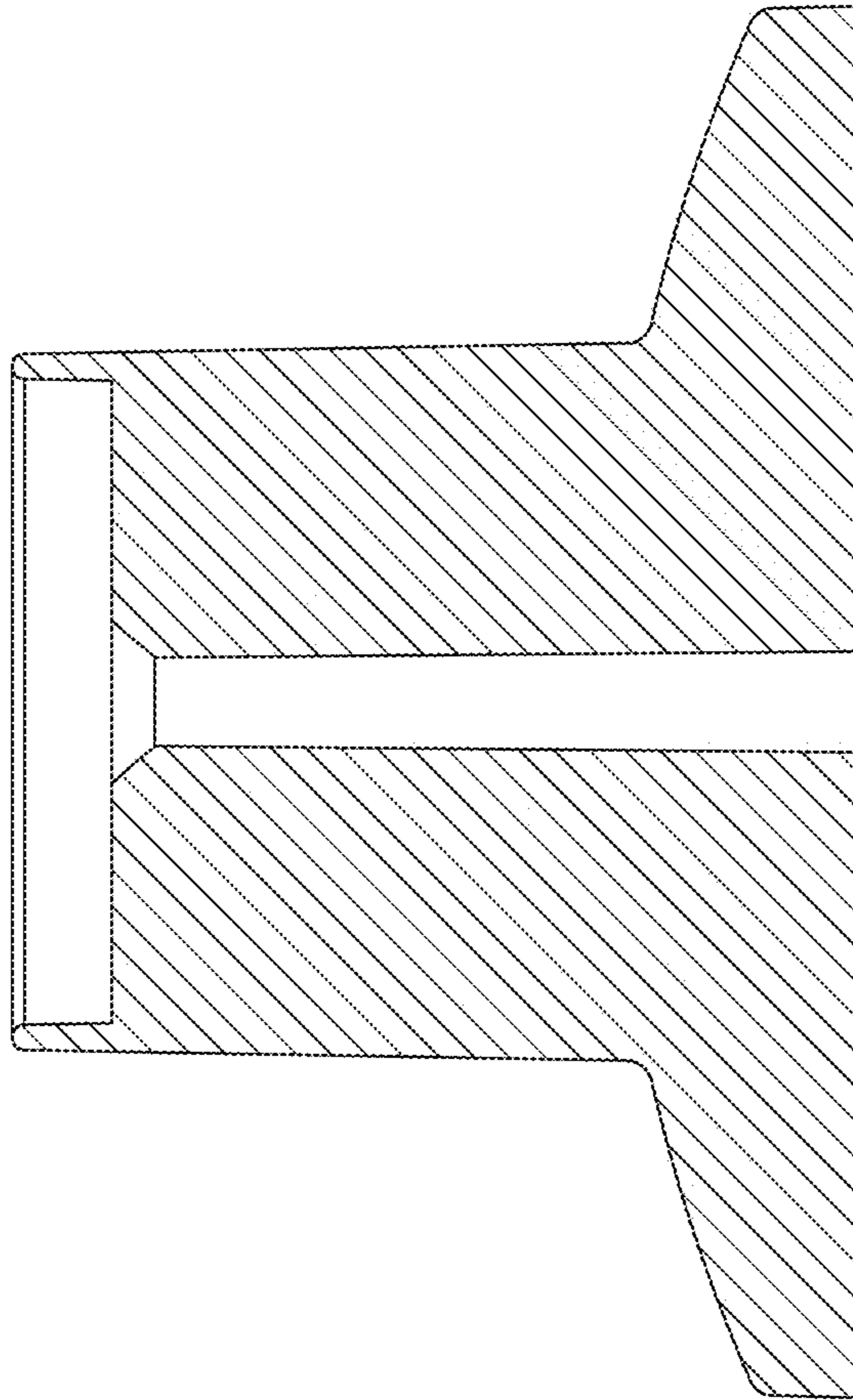


**FIG. 5**



**FIG. 6**





**FIG. 7**

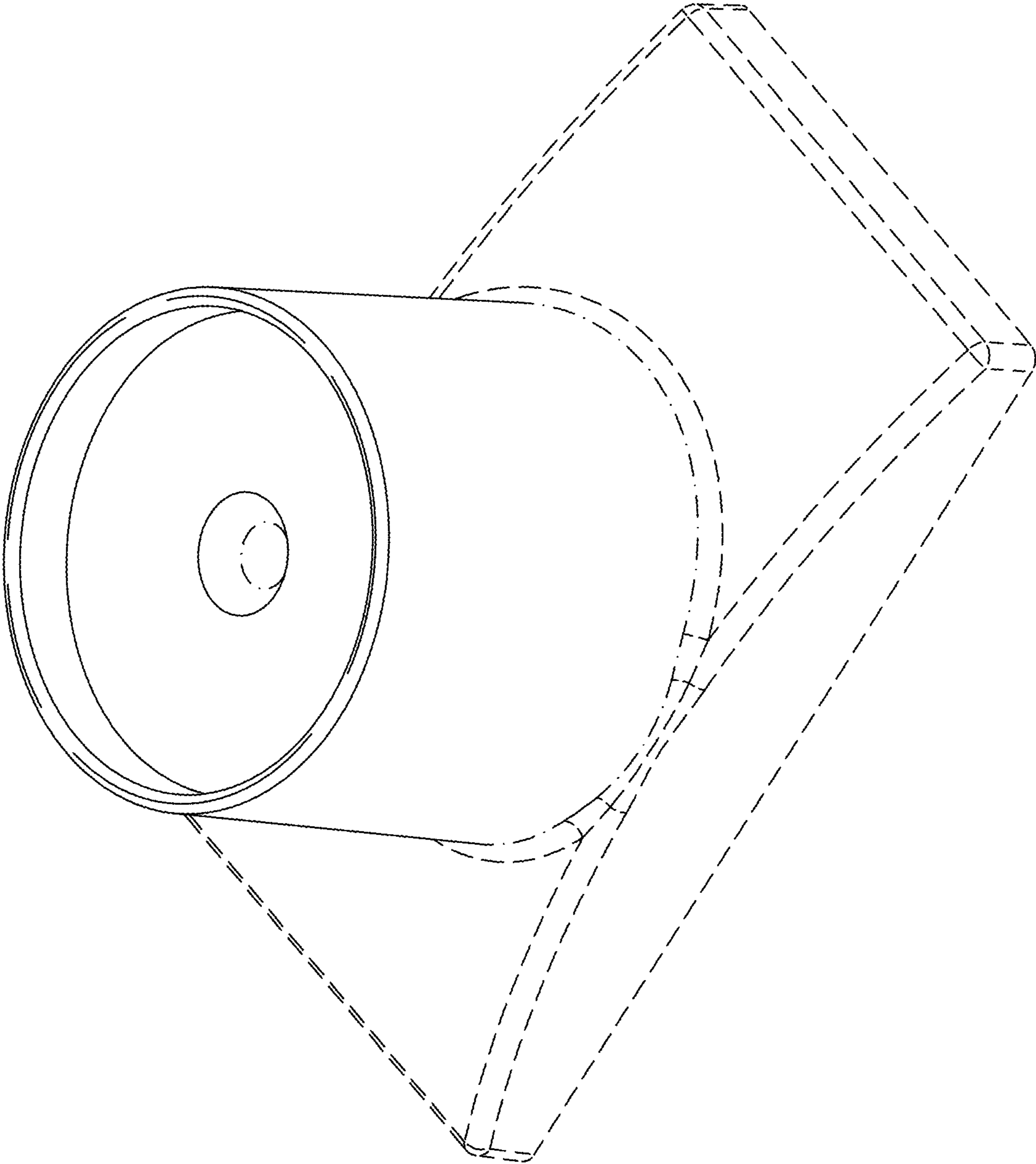


FIG. 8  
(NEW)

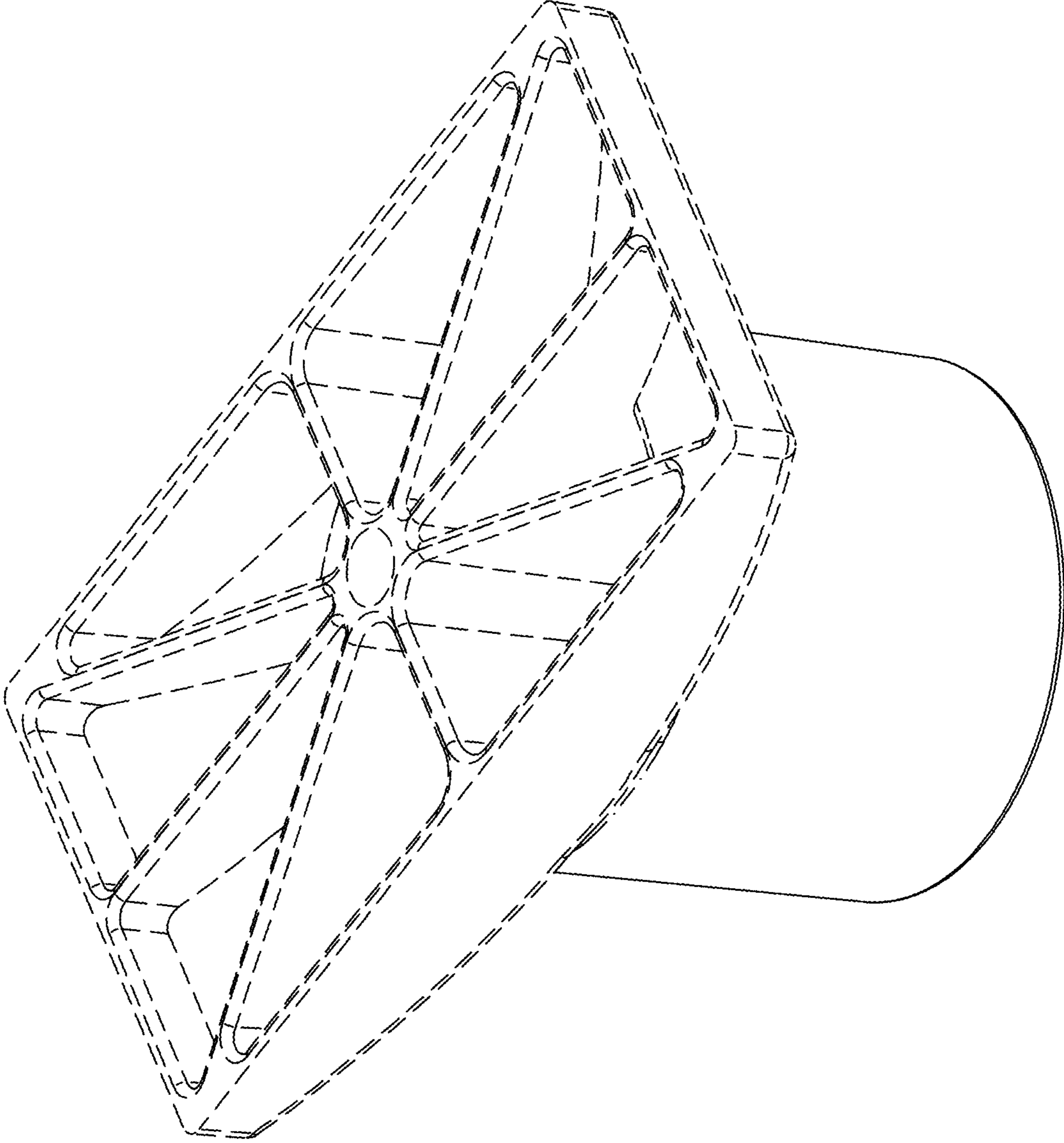


FIG. 9  
(NEW)

FIG. 10  
(NEW)

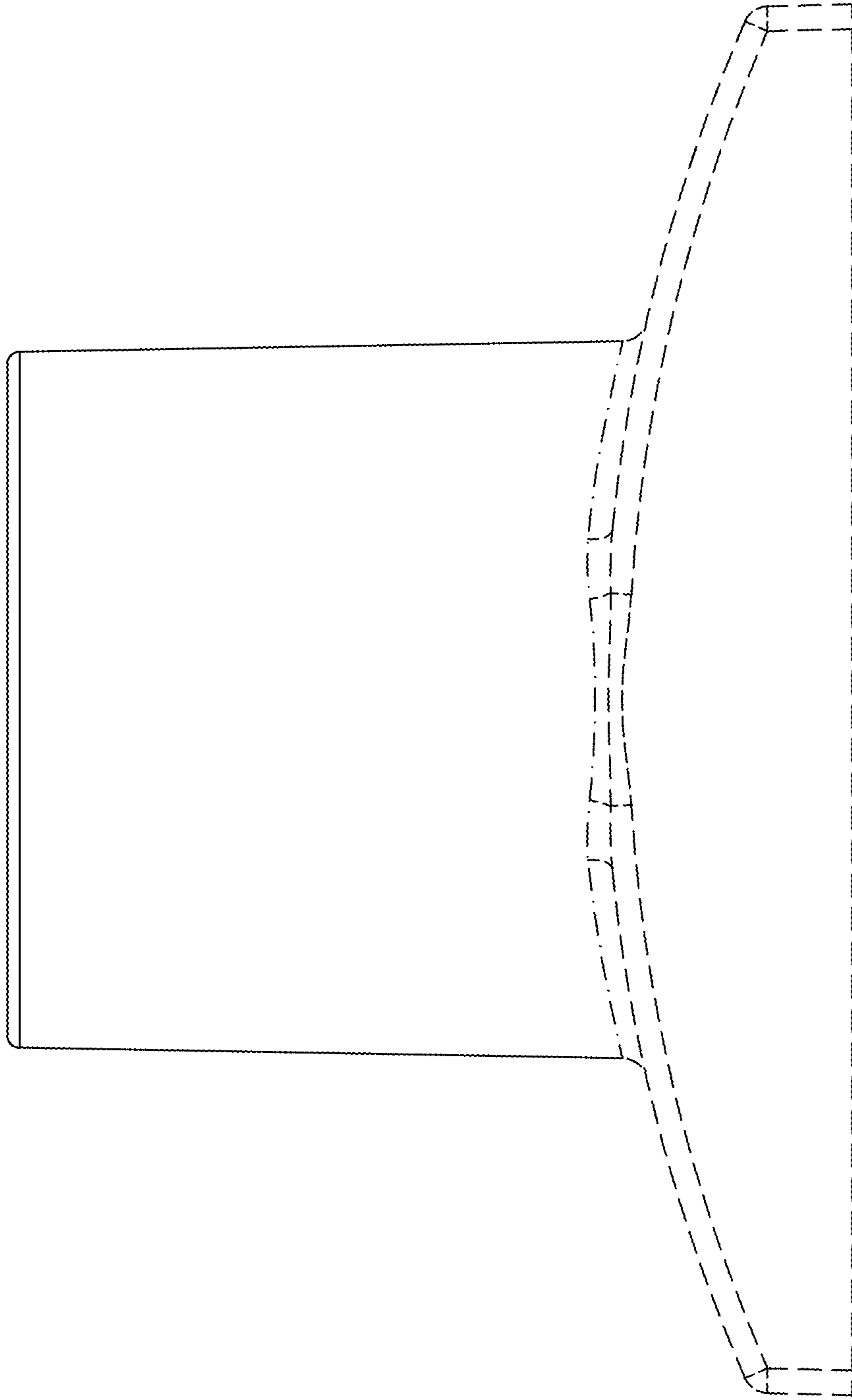
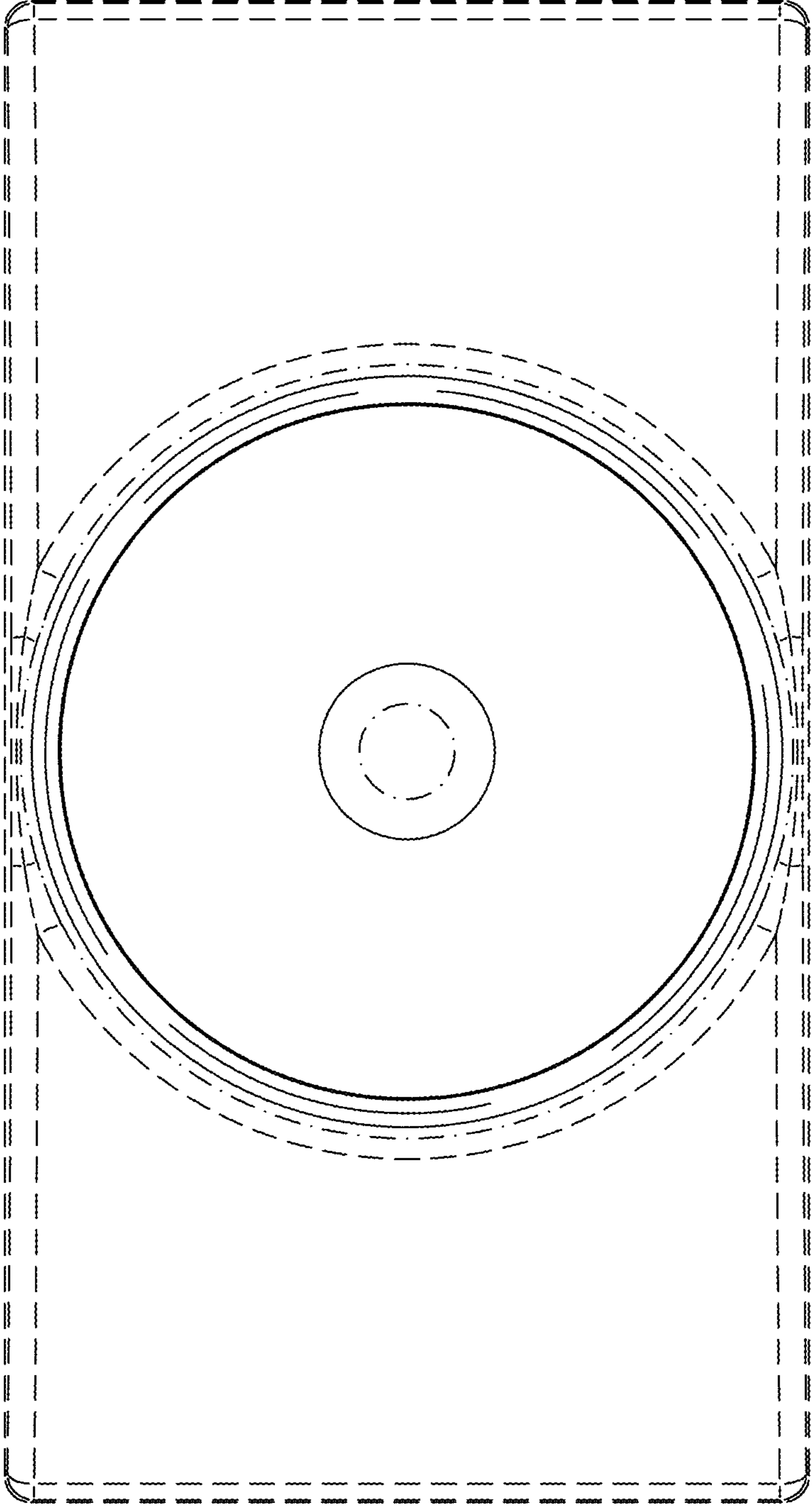


FIG. 11  
(NEW)



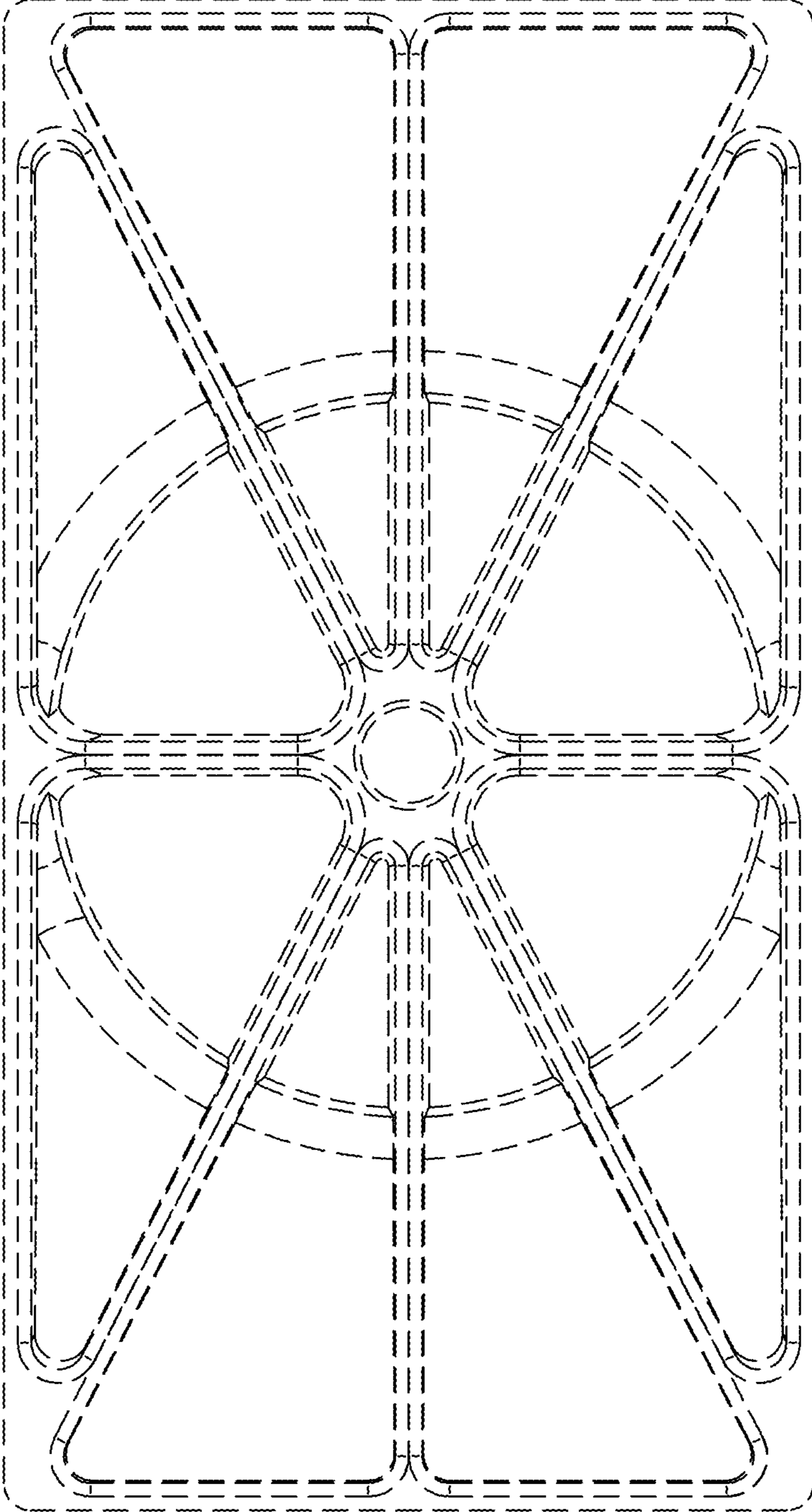


FIG. 12  
(NEW)