

US00RE49916E

(19) **United States**  
(12) **Reissued Patent**  
**Pinghua**

(10) **Patent Number:** **US RE49,916 E**  
(45) **Date of Reissued Patent:** **Apr. 16, 2024**

(54) **THREE WHEEL ROLLATOR**

OTHER PUBLICATIONS

(71) Applicant: **Drive DeVilbiss Healthcare**, Port Washington, NY (US)

RedGumBrand Daily Living and Lifestyle Products; "Tri Walker" RG4402; Jan. 2020 User Manual.

(Continued)

(72) Inventor: **Shi Pinghua**, Jiangyin (CN)

*Primary Examiner* — Philip S Hyder

(73) Assignee: **Drive DeVilbiss Healthcare**, Port Washington, NY (US)

(74) *Attorney, Agent, or Firm* — Bradley J. Shelowitz

(21) Appl. No.: **29/897,204**

(57) **CLAIM**

(22) Filed: **Jul. 12, 2023**

The ornamental design for a three wheel rollator, as shown and described.

**DESCRIPTION**

**Related U.S. Patent Documents**

Reissue of:

(64) Patent No.: **Des. 943,464**

Issued: **Feb. 15, 2022**

Appl. No.: **29/764,200**

Filed: **Dec. 29, 2020**

(51) **LOC (14) Cl.** ..... **12-12**

(52) **U.S. Cl.**  
USPC ..... **D12/130**

(58) **Field of Classification Search**  
USPC ..... D12/128, 129, 130, 131, 132, 133

(Continued)

(56) **References Cited**

**U.S. PATENT DOCUMENTS**

2,843,180 A \* 7/1958 Schwartz ..... A61H 3/04  
482/68

D281,771 S \* 12/1985 Webb ..... D12/130  
(Continued)

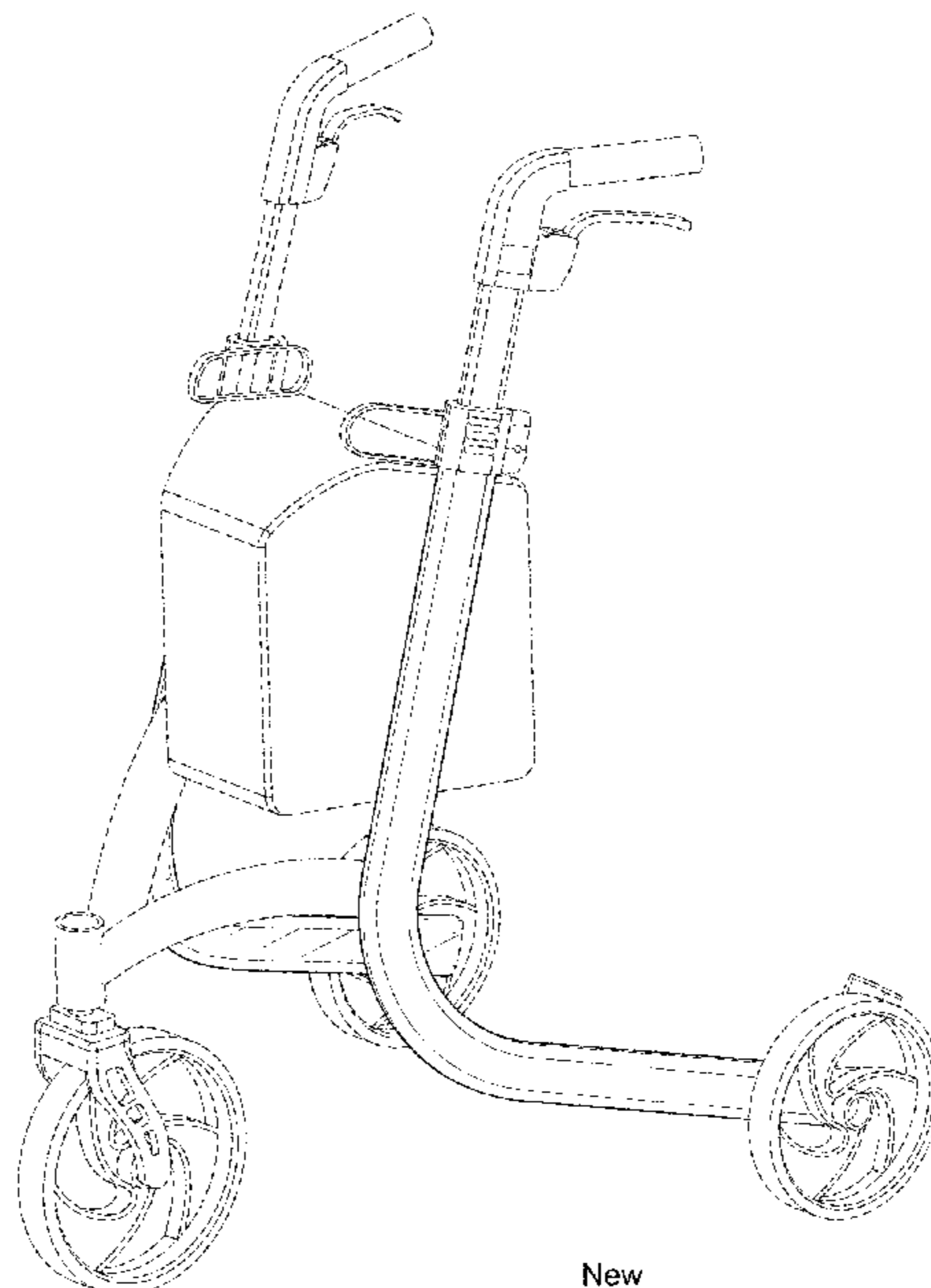
**FOREIGN PATENT DOCUMENTS**

FR 2737993 A1 2/1997  
GN 305522550 S 12/2019

(Continued)

**1 Claim, 14 Drawing Sheets**

**Matter enclosed in heavy brackets [ ] appears in the original patent but forms no part of this reissue; matter printed in italics indicates the additions made by reissue.**



# US RE49,916 E

Page 2

(58) **Field of Classification Search**

CPC ..... A61H 3/00; A61H 3/04; A61H 2003/001;  
A61H 2003/002; A61H 2003/003; A61H  
2003/004; A61H 2003/005; A61H  
2003/006; A61H 2003/007; A61H  
2003/043; A61H 2003/046

See application file for complete search history.

(56) **References Cited**

U.S. PATENT DOCUMENTS

5,020,560 A 6/1991 Turbeville  
6,070,603 A \* 6/2000 Politz ..... A61H 3/04  
135/65  
6,296,263 B1 \* 10/2001 Schultz ..... A61H 3/04  
135/67  
7,243,666 B2 7/2007 Carroll  
7,708,120 B2 \* 5/2010 Einbinder ..... A61H 3/04  
188/31  
8,881,852 B2 \* 11/2014 Kim ..... A61H 3/04  
180/65.1  
D819,503 S \* 6/2018 Huang ..... D12/130  
D836,499 S \* 12/2018 Delatorre ..... D12/130  
D837,697 S \* 1/2019 Luo ..... D12/130  
10,470,966 B1 \* 11/2019 Smith Swerdlow ..... A61H 3/04  
10,639,226 B1 \* 5/2020 Keyes ..... A61H 3/04  
D897,243 S \* 9/2020 Tsai ..... D12/130  
D941,193 S \* 1/2022 Cheng ..... D12/130  
2009/0045021 A1 \* 2/2009 Einbinder ..... F16C 1/10  
188/2 D  
2010/0140893 A1 \* 6/2010 Menefee ..... A61H 3/04  
280/87.041

2012/0187661 A1 \* 7/2012 Kim ..... A61H 3/04  
280/650  
2013/0062848 A1 \* 3/2013 Huang ..... A61G 5/0891  
280/87.021  
2015/0173994 A1 \* 6/2015 Chen ..... A61H 3/00  
280/639  
2015/0351994 A1 \* 12/2015 Nicholson ..... A61H 3/04  
280/639  
2019/0029915 A1 \* 1/2019 Brockway ..... A61H 3/04  
2019/0105220 A1 \* 4/2019 Pan ..... A61H 1/00  
2019/0105221 A1 \* 4/2019 Pan ..... A61G 5/08  
2019/0105222 A1 \* 4/2019 Fellingham ..... A61H 1/00  
2020/0155408 A1 \* 5/2020 Fathi ..... A61H 1/00  
2020/0261300 A1 \* 8/2020 Kousik ..... A61H 3/0244  
2020/0315901 A1 \* 10/2020 Fellingham ..... A61H 3/04  
2020/0352816 A1 \* 11/2020 Lu ..... A61H 3/04  
2021/0361517 A1 \* 11/2021 Reuveni ..... A61H 3/04  
2021/0393471 A1 \* 12/2021 Munton ..... A61H 3/04  
2022/0211568 A1 \* 7/2022 AlGhazi ..... A61B 5/1117

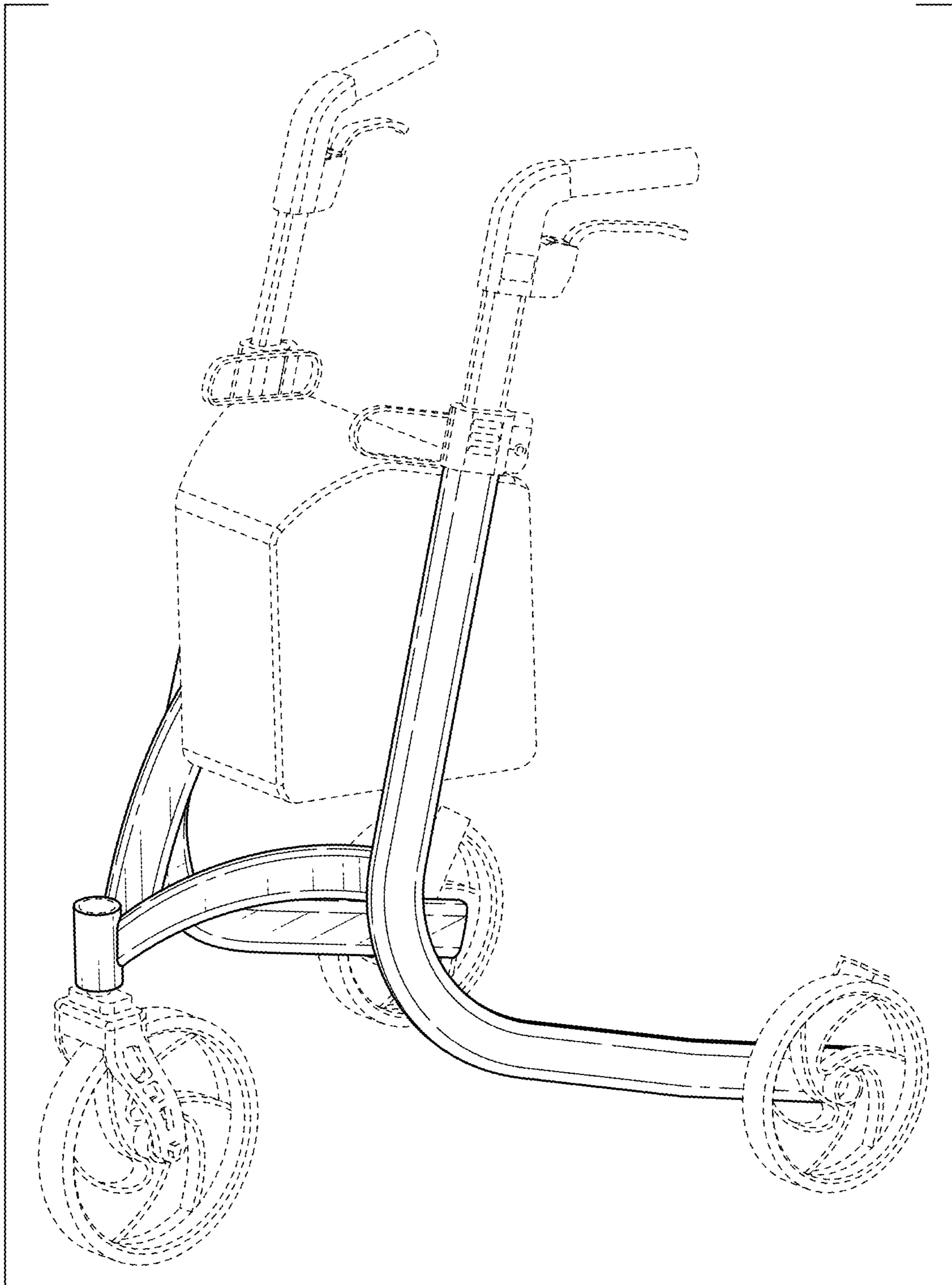
FOREIGN PATENT DOCUMENTS

KR 10-2013-0107495 10/2013  
WO 2003/086264 A1 10/2003

OTHER PUBLICATIONS

Drive Medical Nitro 3, Published Mar. 5, 2021 [online], [retrieved on Dec. 4, 2021]. Retrieved from the Internet: <https://www.amazon.com/Drive-Medical-Euro-Style-Rollator-Walker/dp/B08YG5JTMP> (Year: 2021).\*

\* cited by examiner



**FIG. 1** CANCELLED

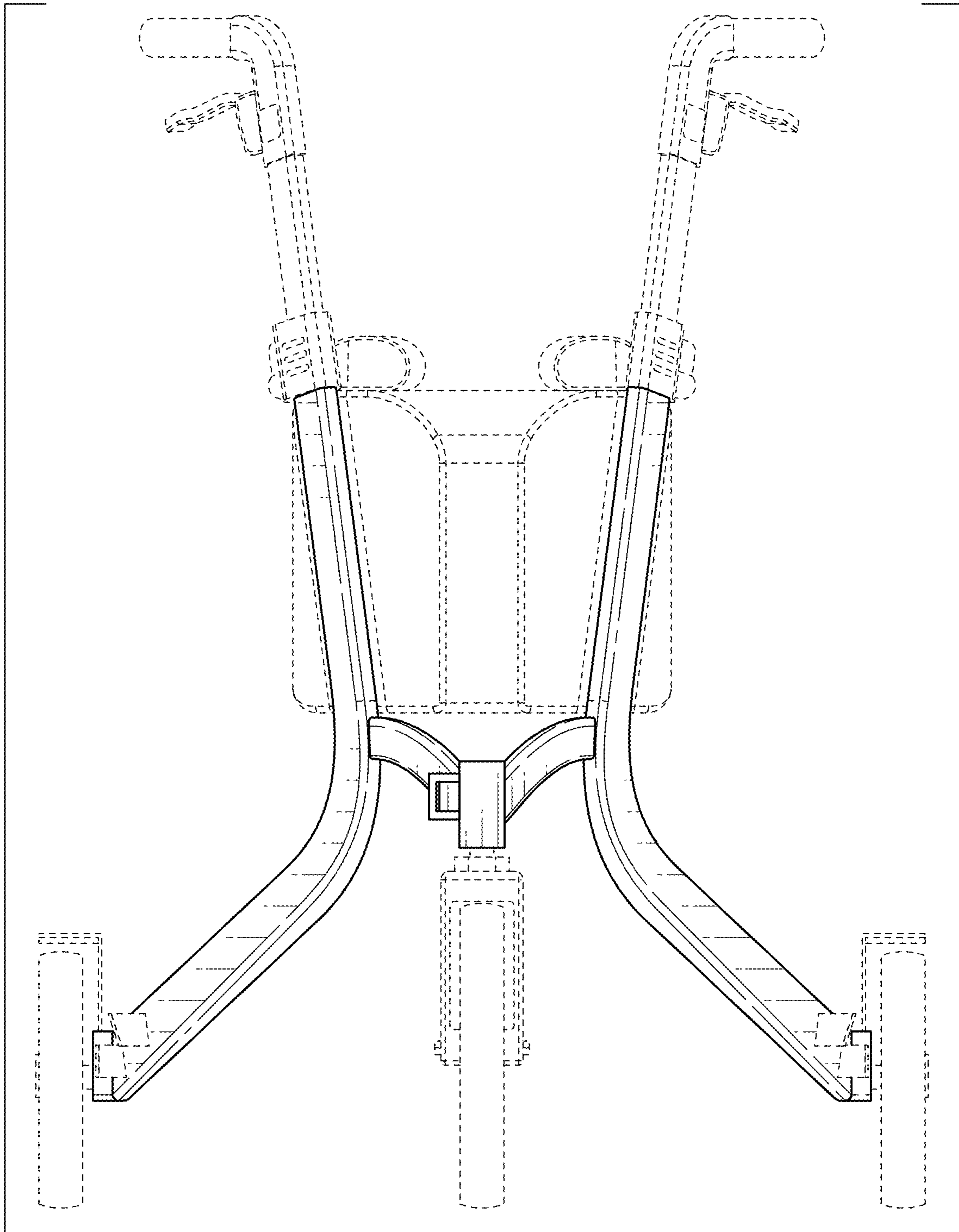


FIG. 2 CANCELLED

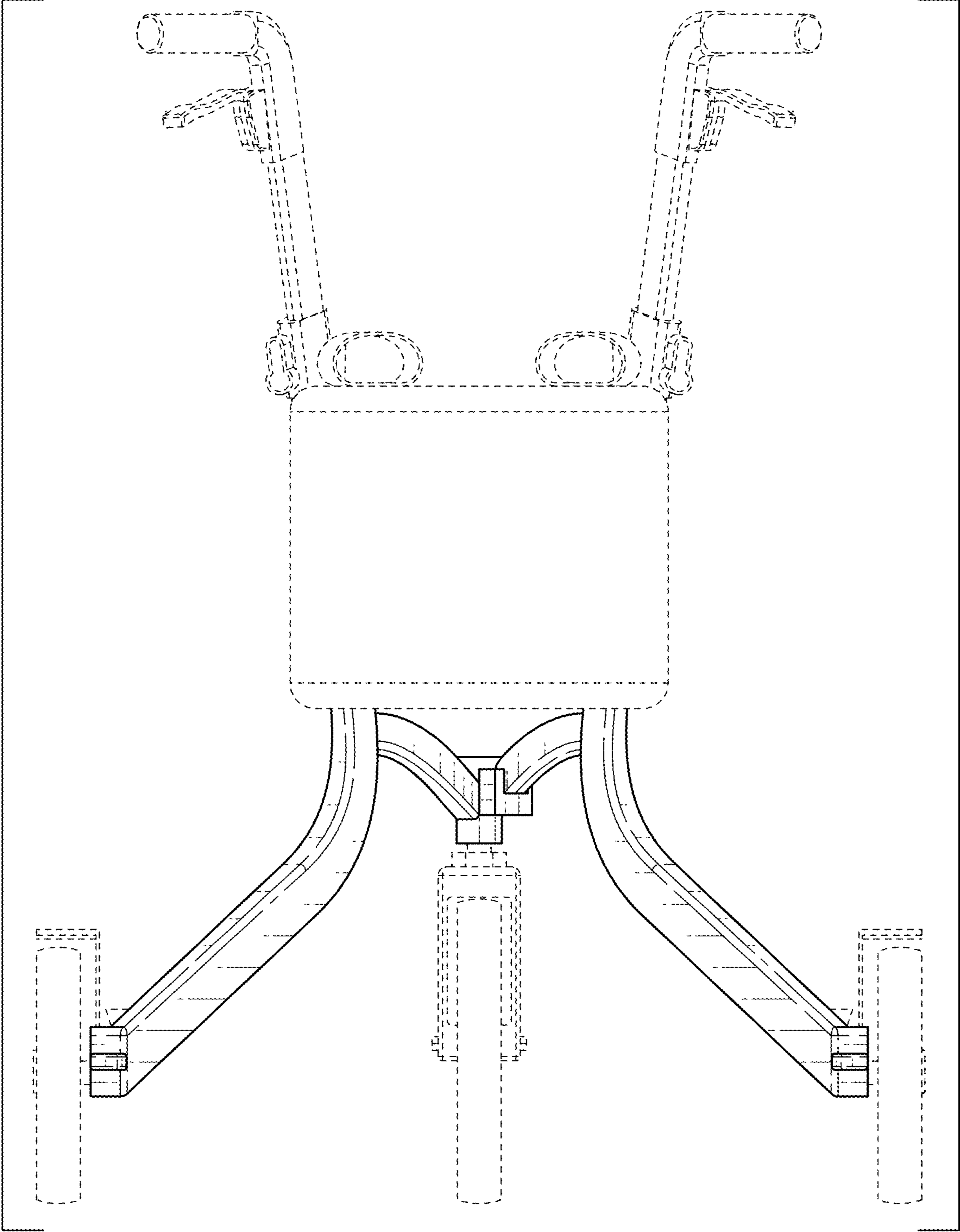
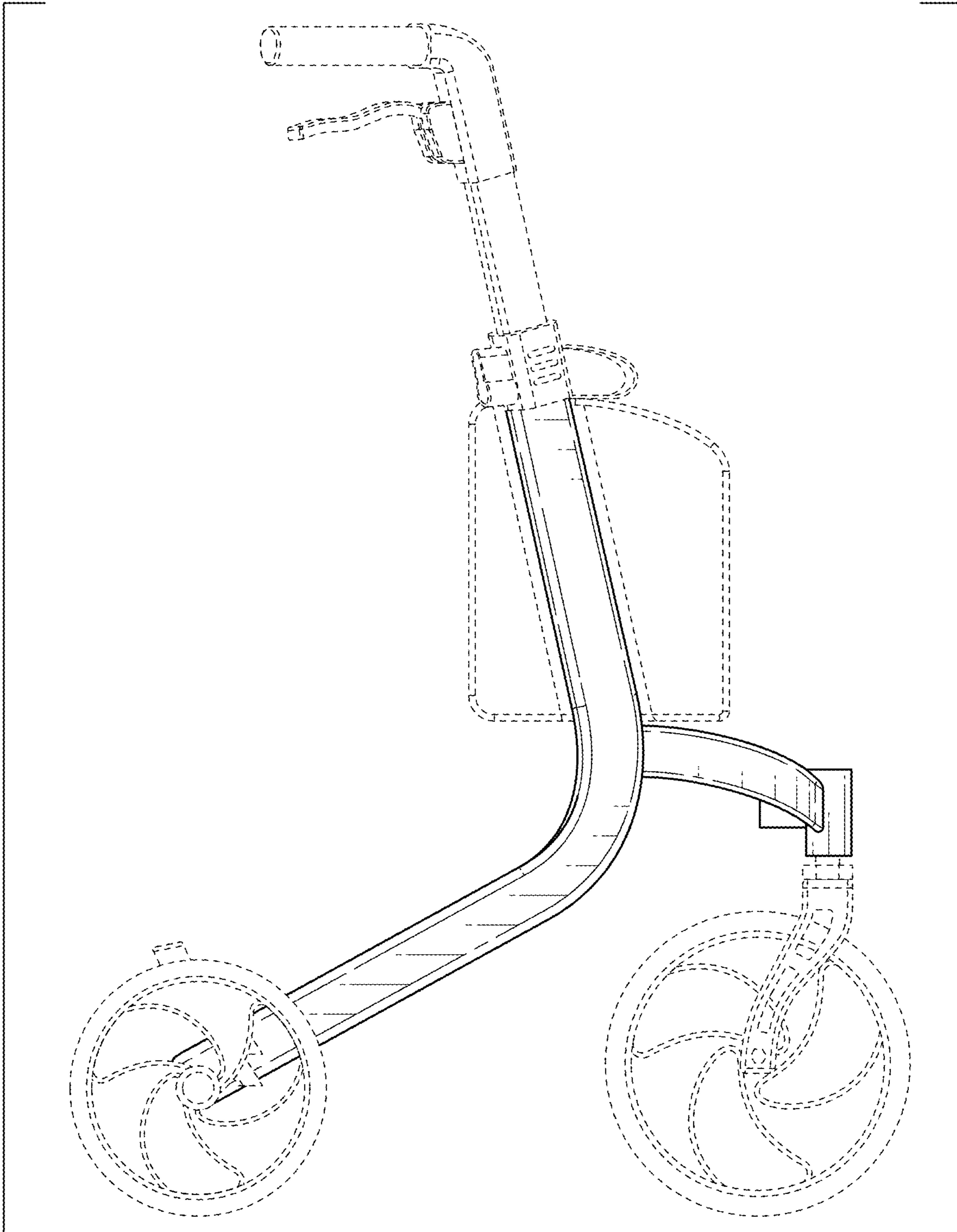


FIG. 3 CANCELLED



**FIG. 4** CANCELLED

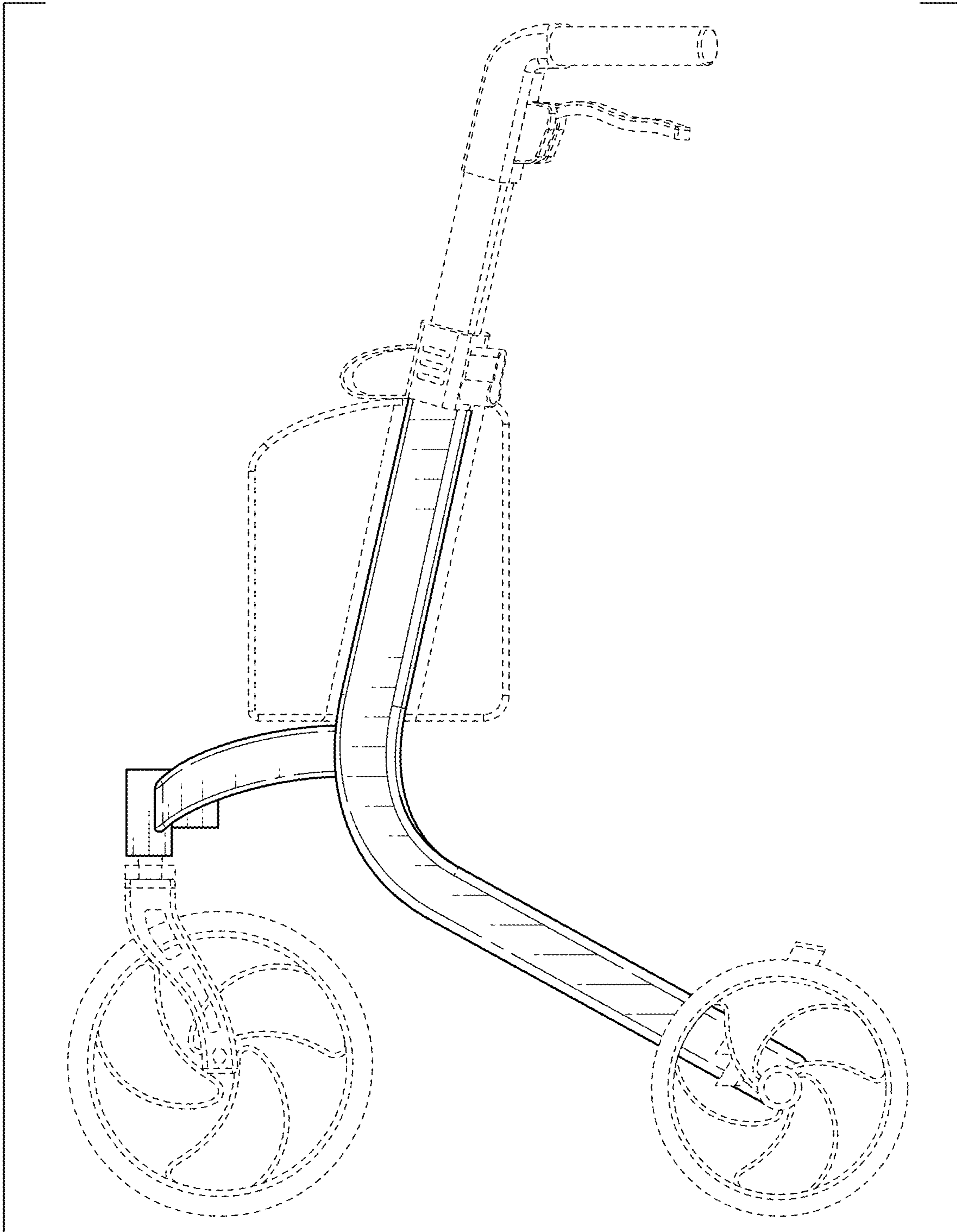
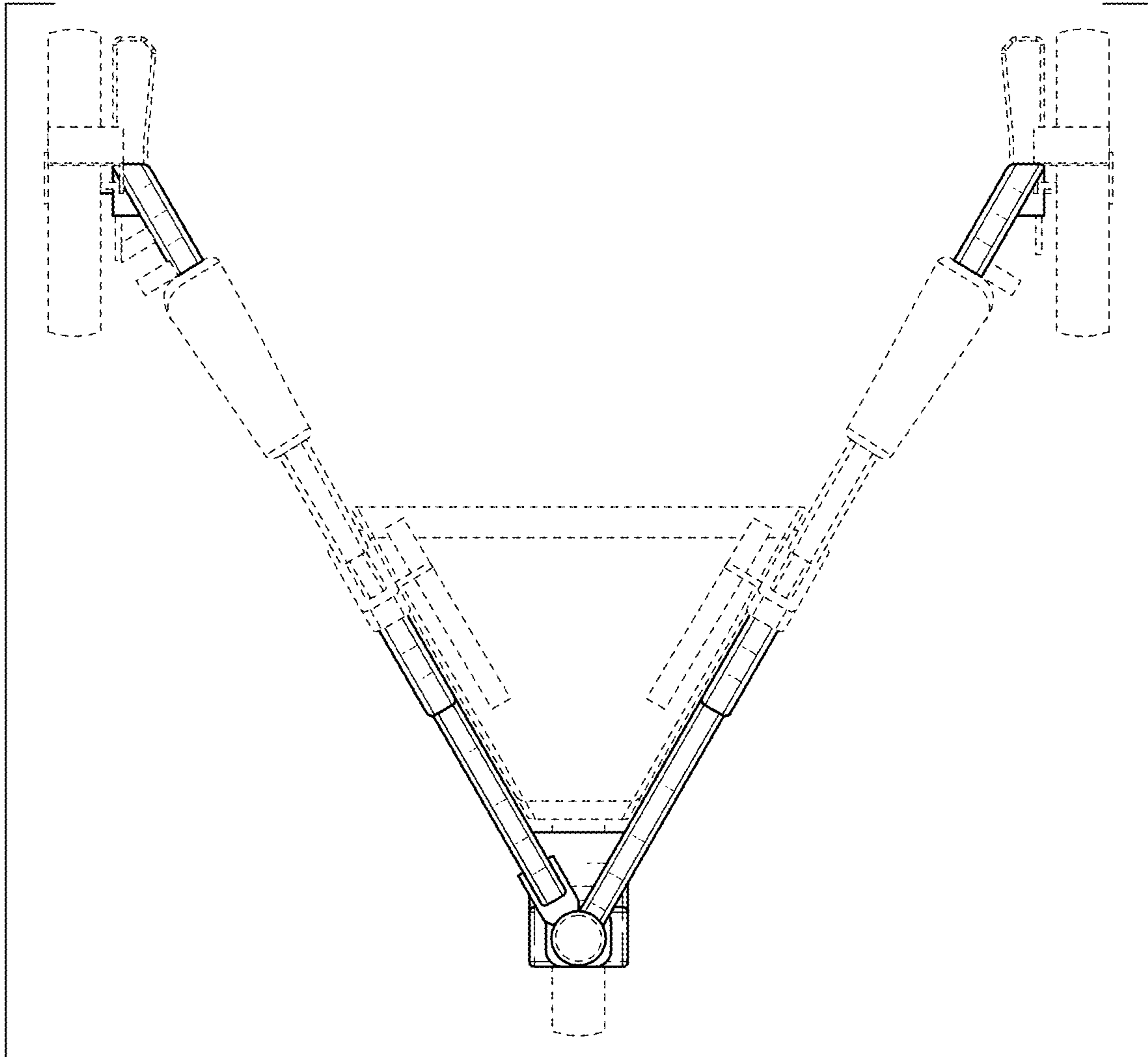
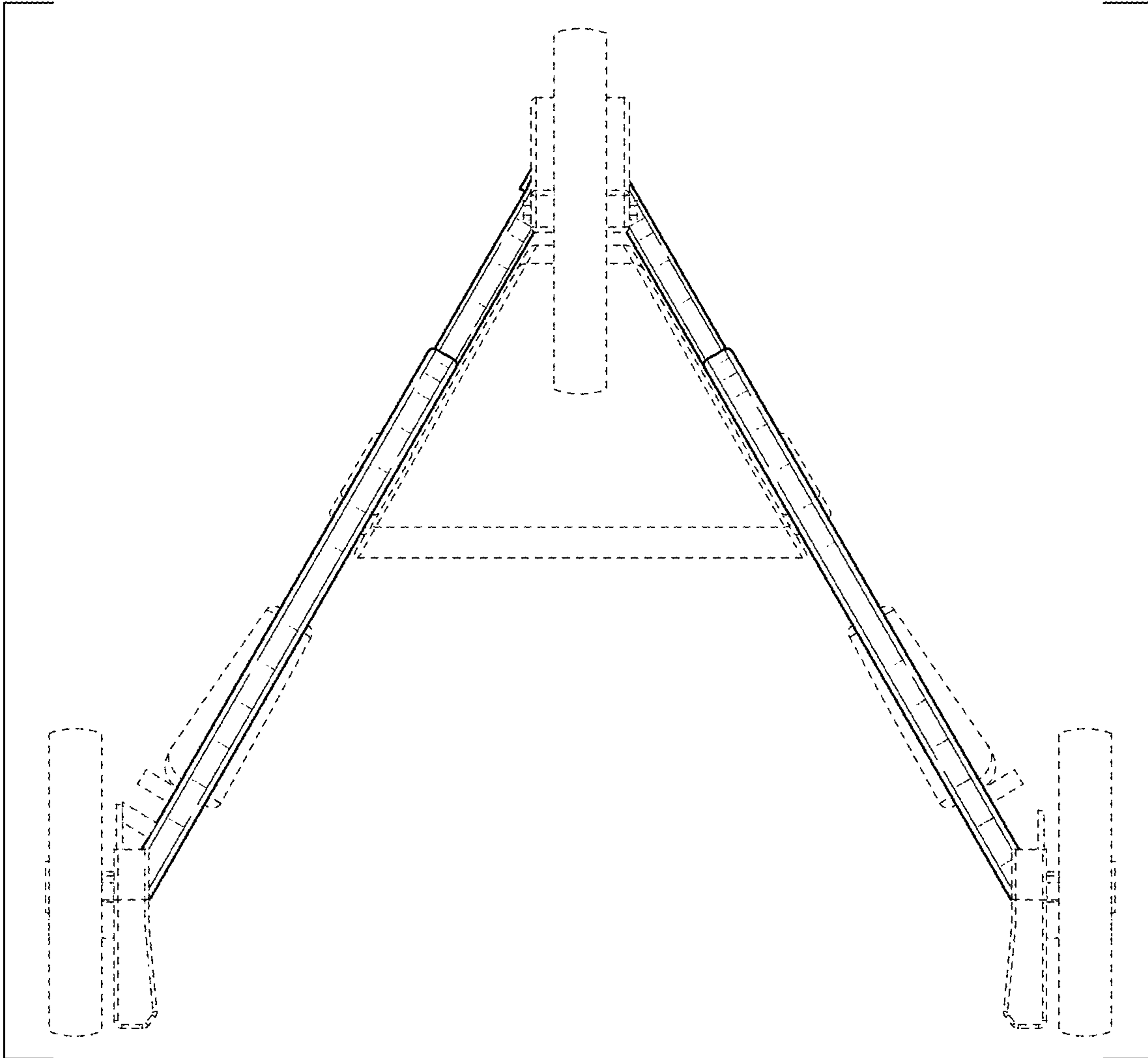


FIG. 5 CANCELLED

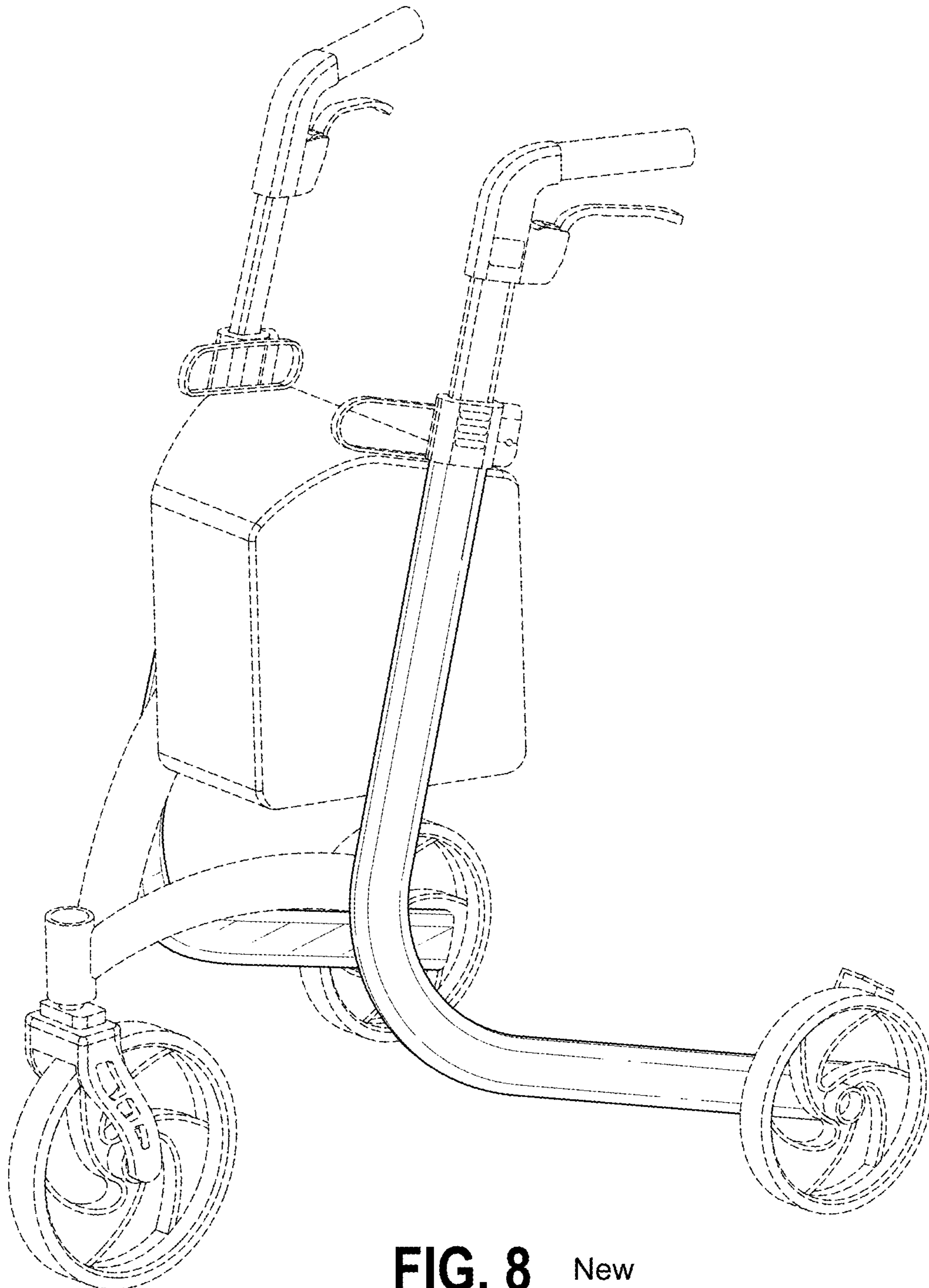


**FIG. 6** CANCELLED

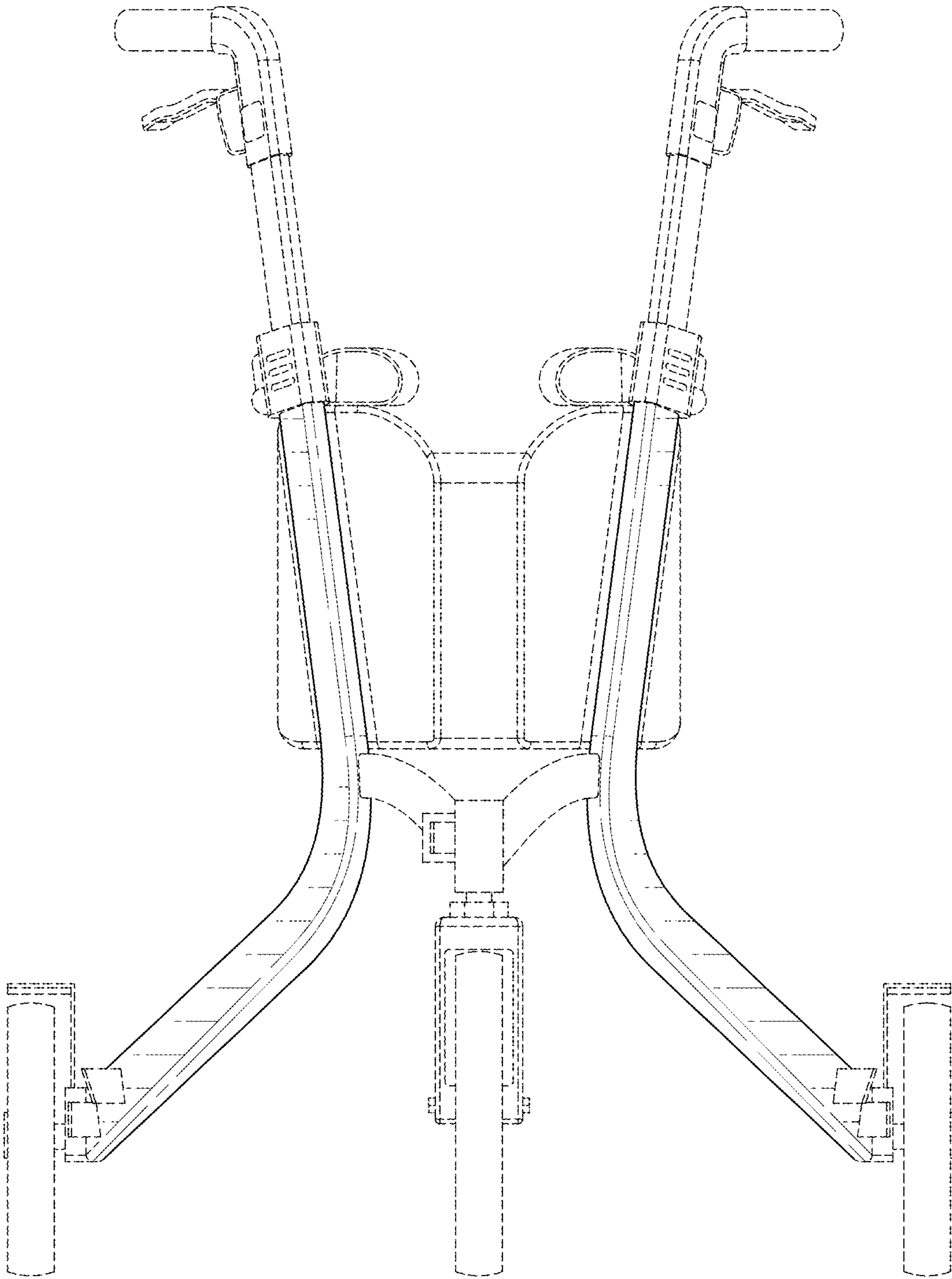




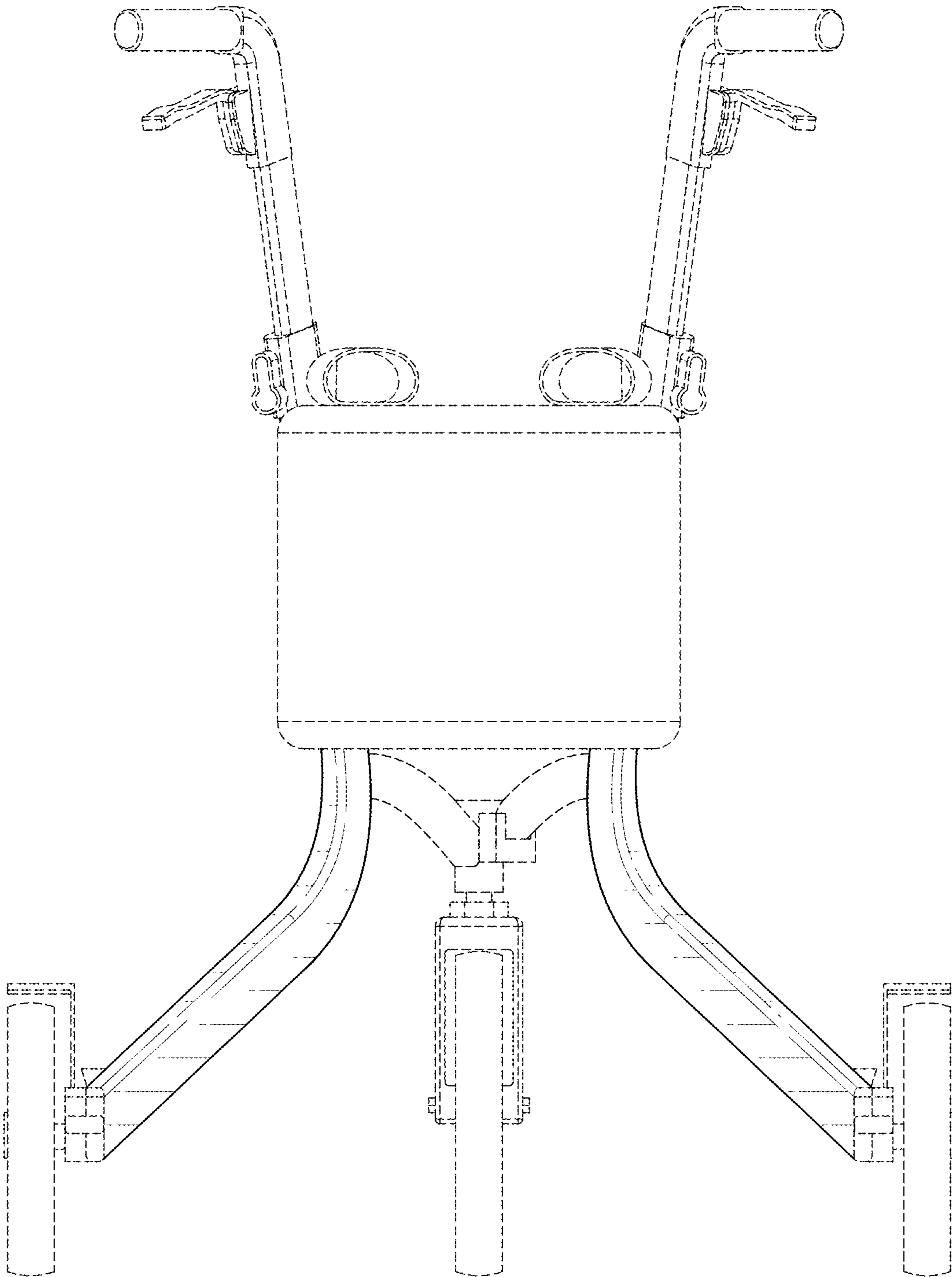
**FIG. 7** CANCELLED



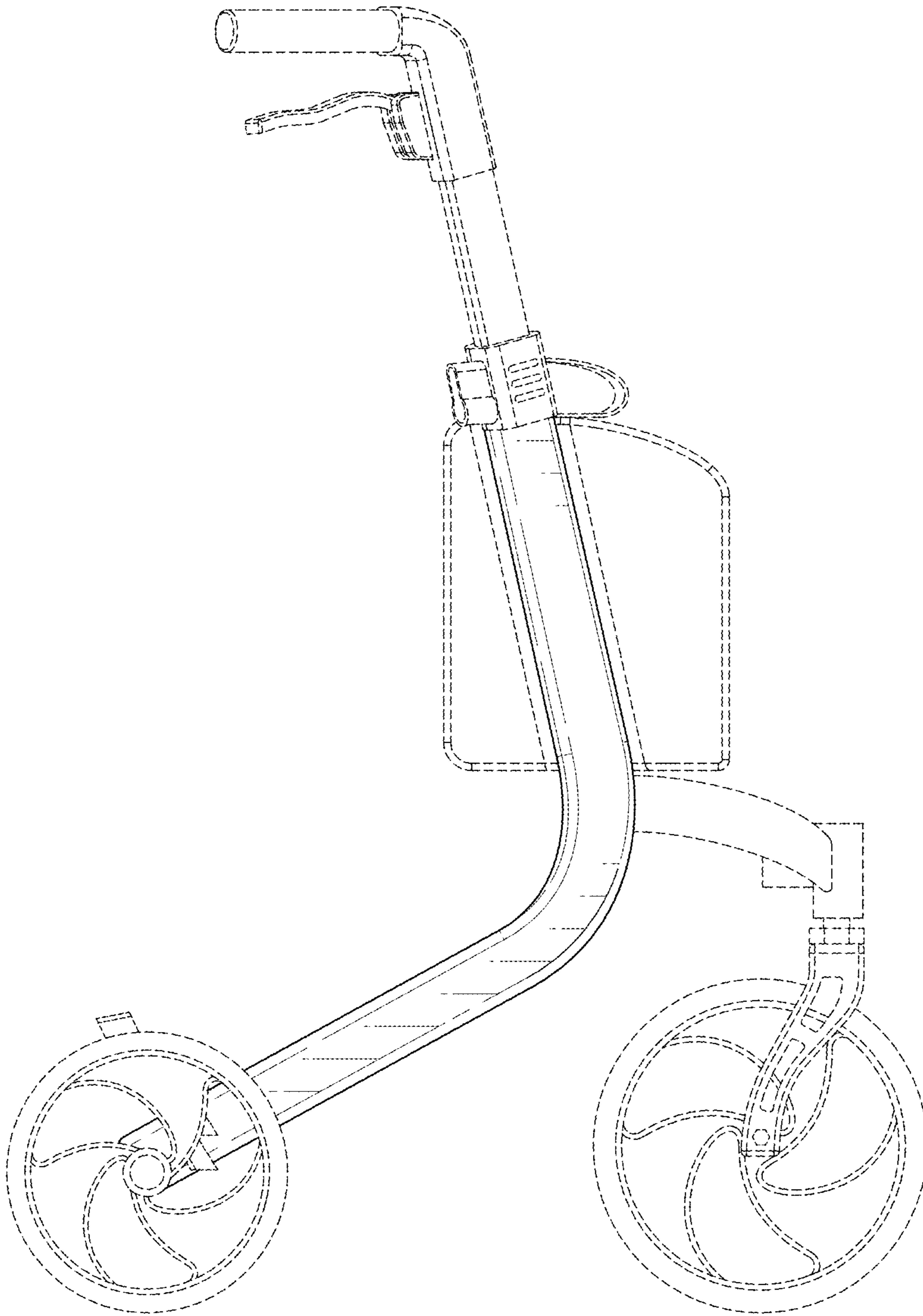
**FIG. 8** New



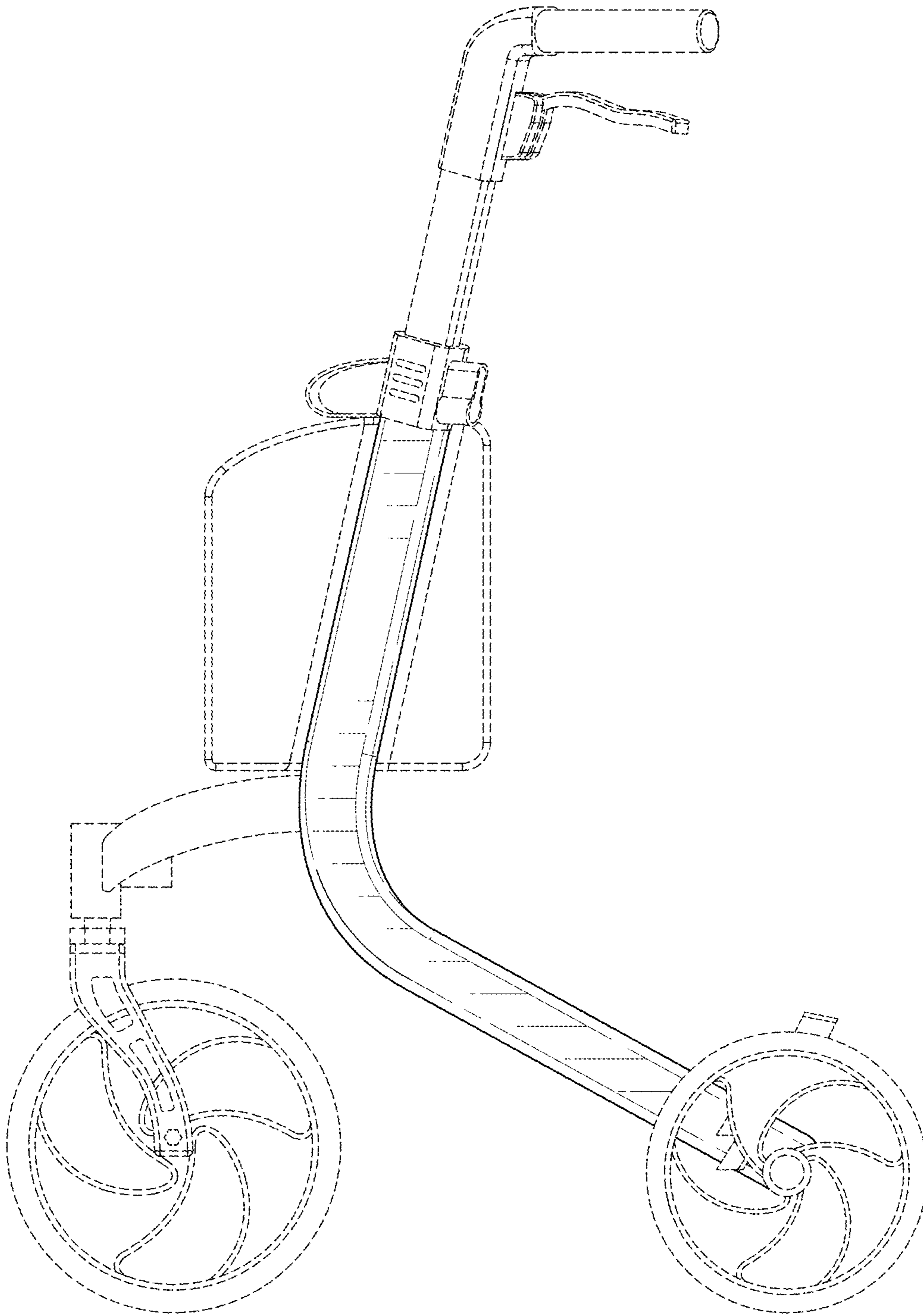
**FIG. 9** New



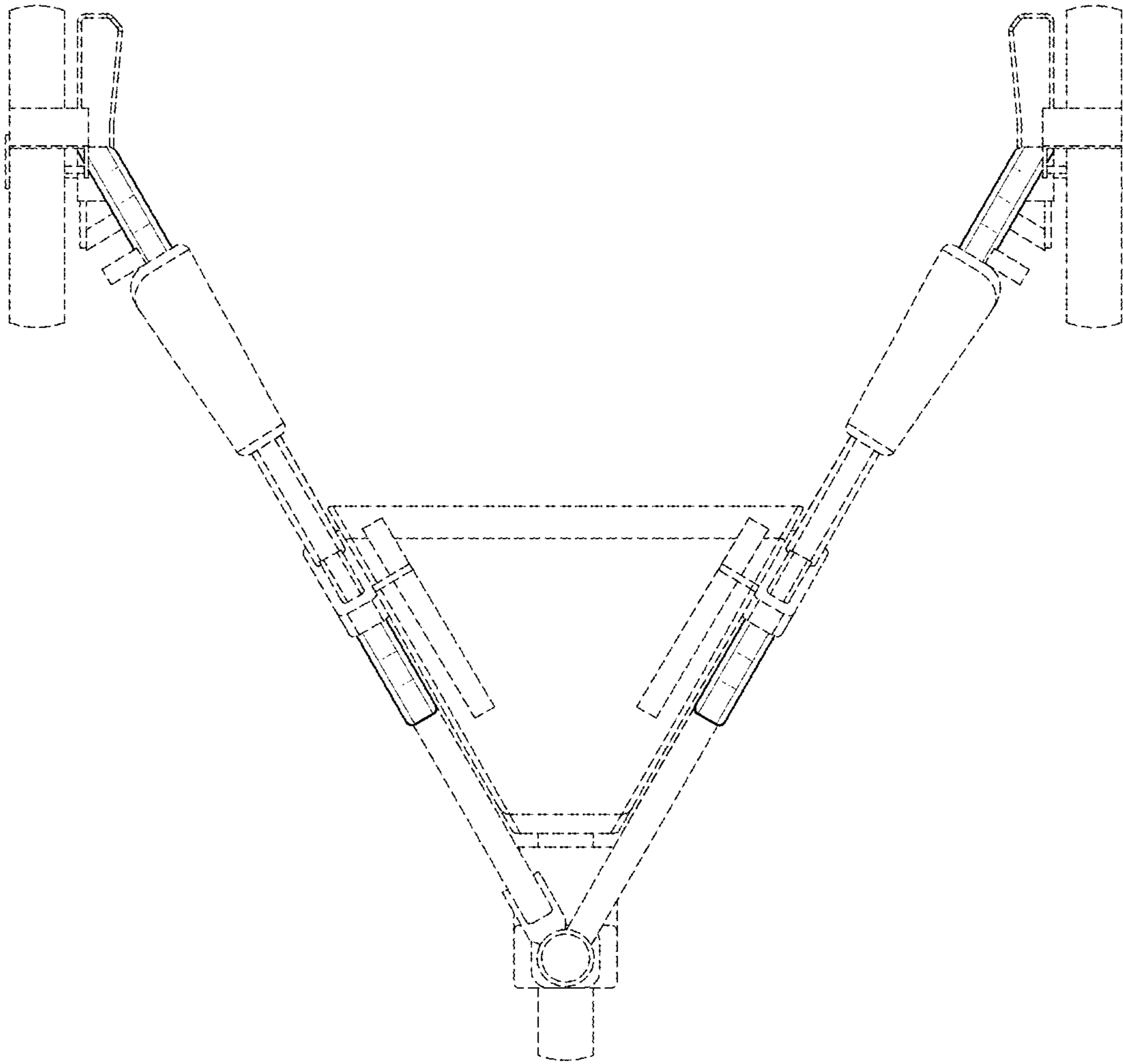
**FIG. 10** New



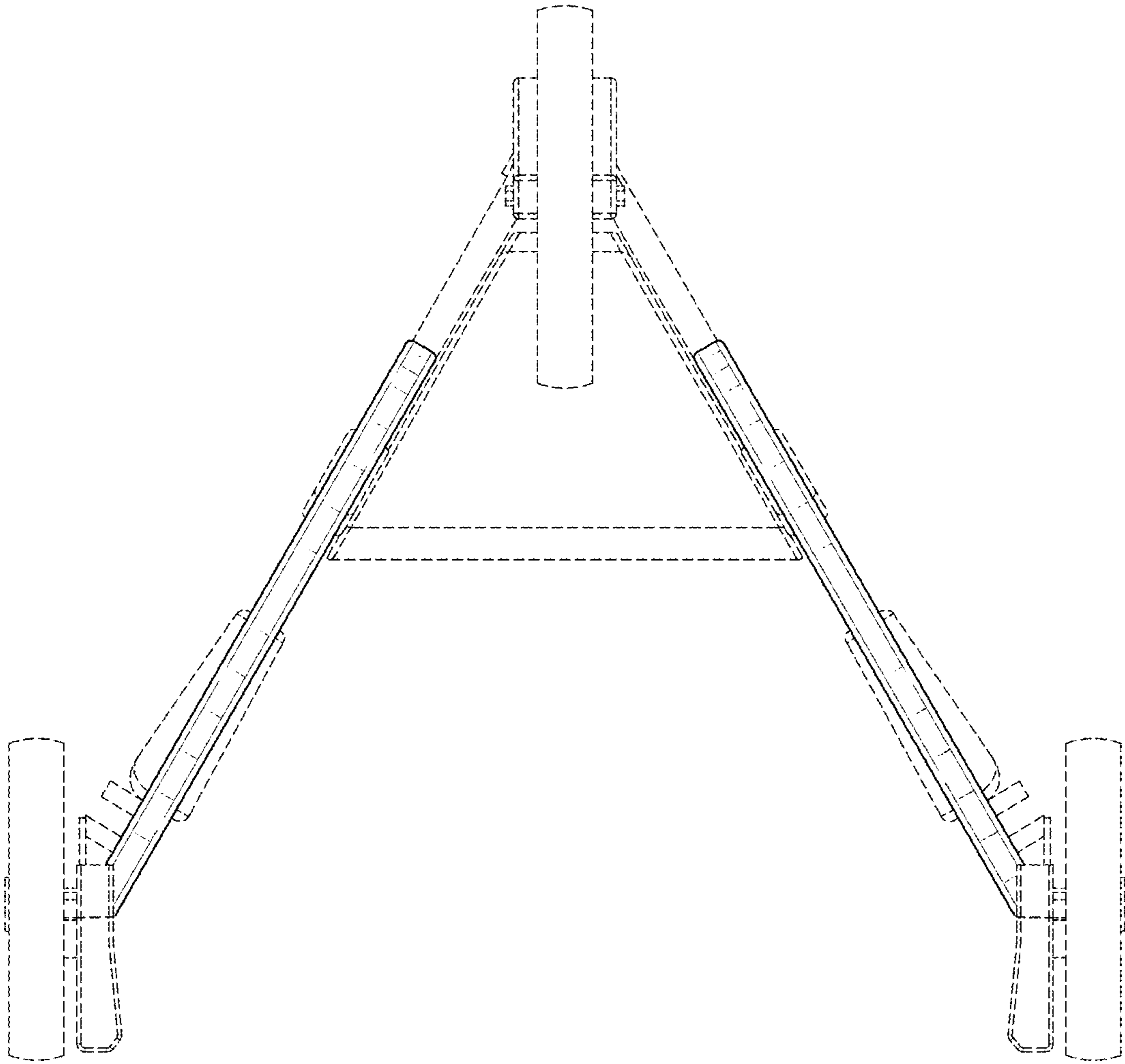
**FIG. 11** New



**FIG. 12** New



**FIG. 13** New



**FIG. 14** New