

US00RE49749E

(19) **United States**
(12) **Reissued Patent**
Kummetz et al.

(10) **Patent Number: US RE49,749 E**
(45) **Date of Reissued Patent: Dec. 5, 2023**

(54) **OPTIMIZED TELECOMMUNICATIONS DISTRIBUTION SYSTEM**

(56) **References Cited**

(71) Applicant: **CommScope Technologies LLC**,
Hickory, NC (US)
(72) Inventors: **Thomas Kummetz**, Kissing (DE);
Christopher Goodman Ranson,
Concord, VA (US); **Van E. Hanson**,
Forest, VA (US); **Michael J.**
Williamson, Clayton, NC (US)

U.S. PATENT DOCUMENTS

6,549,776 B1 4/2003 Joong
7,404,200 B1* 7/2008 Hailey G06F 3/04817
348/E5.005

(Continued)

FOREIGN PATENT DOCUMENTS

CN 101542928 9/2009
CN 101542928 A 9/2009

(Continued)

(73) Assignee: **CommScope Technologies LLC**,
Hickory, NC (US)

(21) Appl. No.: **17/078,357**

OTHER PUBLICATIONS

(22) Filed: **Oct. 23, 2020**

4G Americas, "Self-Optimizing Networks: The Benefits of SON in LTE", Jul. 2011, pp. 1 through 70.

(Continued)

Related U.S. Patent Documents

Reissue of:

(64) Patent No.: **10,111,116**
Issued: **Oct. 23, 2018**
Appl. No.: **15/287,210**
Filed: **Oct. 6, 2016**

Primary Examiner — Eric B. Kiss

(74) *Attorney, Agent, or Firm* — Fogg & Powers LLC

U.S. Applications:

(63) Continuation of application No. 14/481,214, filed on
Sep. 9, 2014, now Pat. No. 9,467,876, which is a
(Continued)

(57) **ABSTRACT**

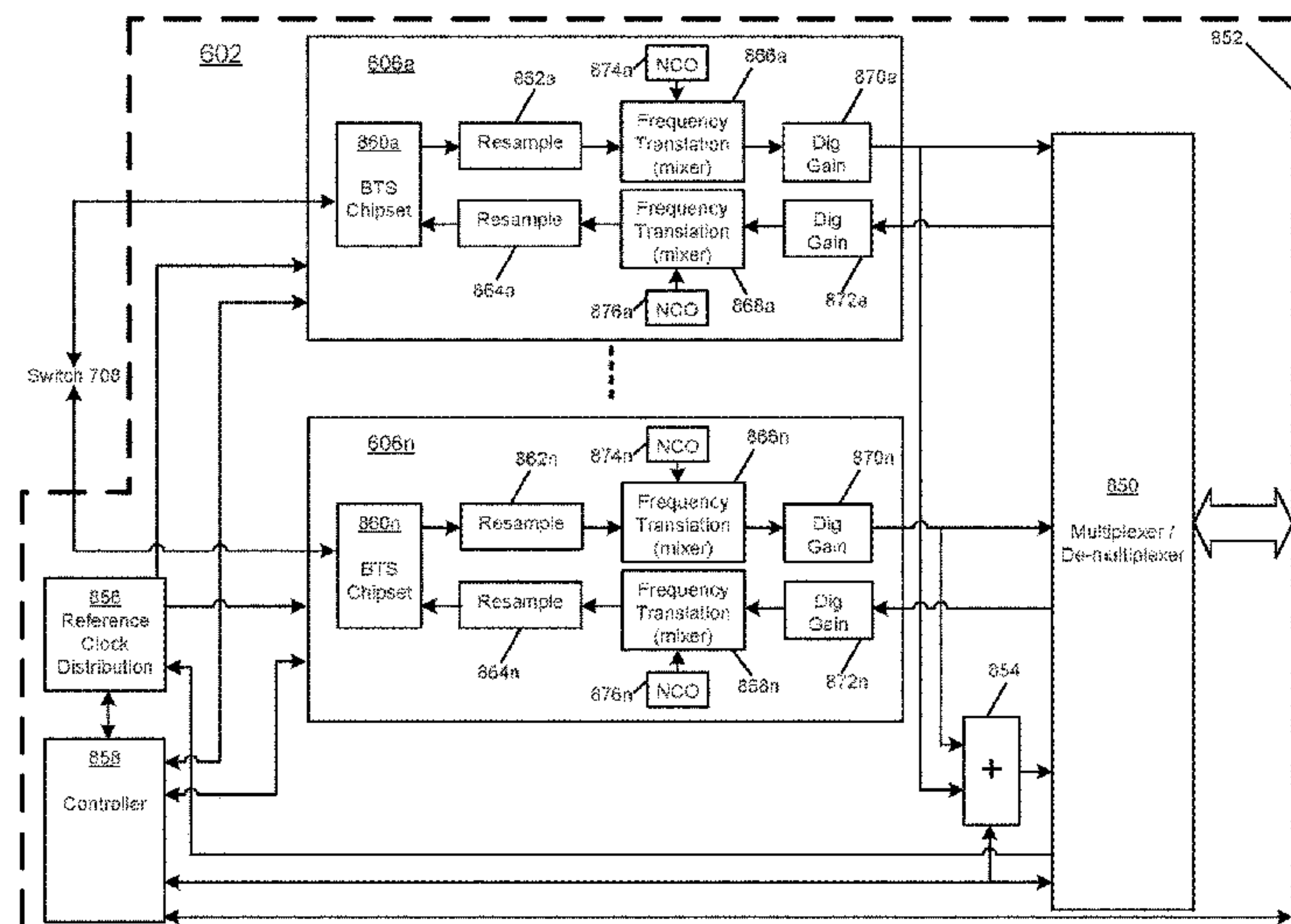
Systems and methods for optimized telecommunications distribution are provided. For example, a distributed antenna system can include a master unit for transceiving signals with remote units operable for wirelessly transceiving signals with mobile devices in a coverage area. A self-optimized network analyzer can be in a unit of the distributed antenna system. A self-optimized network controller in the distributed antenna system can output commands for changing operation of a component in the distributed antenna system in response to analysis results from the self-optimized network analyzer. In some aspects, the master unit includes base transceiver station cards for receiving call information in network protocol data from a network and for generating digital signals including the call information from the network protocol data for distribution to the remote units.

(51) **Int. Cl.**
H04W 24/02 (2009.01)
H04B 7/04 (2017.01)
(Continued)

(52) **U.S. Cl.**
CPC **H04W 24/02** (2013.01); **H04B 7/04**
(2013.01); **H04L 43/18** (2013.01); **H04W**
16/26 (2013.01);
(Continued)

(58) **Field of Classification Search**
CPC ... H04W 88/12; H04W 84/18; H04W 88/085;
H04W 16/26; H04W 24/02; H04L
2101/668; H04L 43/18; H04B 7/04
See application file for complete search history.

30 Claims, 8 Drawing Sheets



Related U.S. Application Data

- continuation of application No. 13/757,742, filed on Feb. 2, 2013, now Pat. No. 8,867,451.
- (60) Provisional application No. 61/594,085, filed on Feb. 2, 2012.
- (51) **Int. Cl.**
H04L 43/18 (2022.01)
H04W 16/26 (2009.01)
H04L 101/668 (2022.01)
H04W 84/18 (2009.01)
H04W 88/08 (2009.01)
H04W 88/12 (2009.01)
- (52) **U.S. Cl.**
 CPC *H04L 2101/668* (2022.05); *H04W 84/18* (2013.01); *H04W 88/085* (2013.01); *H04W 88/12* (2013.01)

JP	2010062856	A	3/2010
WO	2009029077		3/2009
WO	2009029077	A1	3/2009
WO	2009151893	A2	12/2009
WO	2009151893	A3	12/2009
WO	2009151893	A3	4/2010
WO	2010091004		8/2010
WO	2010091004	A1	8/2010
WO	2010126667		11/2010
WO	2010126667	A1	11/2010
WO	2011071870		6/2011
WO	2011071870	A1	6/2011
WO	2011156465		12/2011
WO	2011156465	A1	12/2011
WO	2012054553		4/2012
WO	2012054553	A1	4/2012
WO	2013116802		8/2013
WO	2013116802	A1	8/2013

(56) **References Cited**

U.S. PATENT DOCUMENTS

7,443,805	B1	10/2008	Bynum	
7,565,170	B2	7/2009	Buscaglia et al.	
8,254,848	B1	8/2012	Elliott et al.	
8,346,091	B2	1/2013	Kummetz et al.	
8,867,451	B2 *	10/2014	Kummetz	H04W 24/02 370/328
9,467,876	B2	10/2016	Kummetz et al.	
10,111,116	B2	10/2018	Kummetz et al.	
2007/0066268	A1 *	3/2007	Simic	H04B 1/26 455/318
2008/0058018	A1	3/2008	Scheinert	
2008/0069039	A1	3/2008	Li et al.	
2008/0232328	A1	9/2008	Scheinert et al.	
2009/0061940	A1 *	3/2009	Scheinert	H04B 7/022 455/562.1
2009/0311978	A1 *	12/2009	Jensen	H03L 7/0891 455/91
2010/0041341	A1	2/2010	Stratford	
2010/0067505	A1	3/2010	Fein et al.	
2010/0177760	A1	7/2010	Cannon et al.	
2010/0189170	A1 *	7/2010	Wiwel	H04L 27/01 375/231
2010/0231473	A1 *	9/2010	Shtrom	H01Q 1/2291 343/757
2010/0278530	A1 *	11/2010	Kummetz	H04W 88/085 398/41
2011/0105184	A1	5/2011	Piirainen et al.	
2011/0135308	A1	6/2011	Tarlazzi et al.	
2011/0136478	A1	6/2011	Trigui	
2011/0201368	A1 *	8/2011	Faccin	H04B 7/0413 455/507
2011/0275397	A1	11/2011	Guey et al.	
2012/0015679	A1 *	1/2012	Wu	H04B 1/3838 455/509
2012/0329523	A1	12/2012	Stewart et al.	
2013/0051264	A1 *	2/2013	Wang	H04L 5/0098 370/252
2013/0155991	A1	6/2013	Kazmi et al.	
2013/0201916	A1	8/2013	Kummetz et al.	
2014/0169263	A1 *	6/2014	Stapleton	H04B 7/026 370/315

FOREIGN PATENT DOCUMENTS

CN	101842995	9/2010
CN	101842995	A 9/2010
CN	102077683	5/2011
CN	102077683	A 5/2011
CN	102301606	12/2011
CN	102301606	A 12/2011
JP	2010062856	3/2010

OTHER PUBLICATIONS

European Patent Office, "Extended European Search Report from EP Application No. 13743302.5", from Foreign Counterpart to U.S. Appl. No. 13/757,742, dated Oct. 6, 2015, pp. 1 through 8, Published: EP.

Feng et al., "Self-Organizing Networks (SON) in 3GPP Long Term Evolution", Nomor Research, May 20, 2008, pp. 1 through 15, Nomor Research GmbH, Munich, Germany.

International Bureau, "International Preliminary Report on Patentability from PCT Application No. PCT/US2011/056809", from Foreign Counterpart to U.S. Appl. No. 13/814,459, dated Apr. 23, 2013, pp. 1 through 11, Published: WO.

International Bureau, "International Preliminary Report on Patentability from PCT Application No. PCT/US2013/024532", from Foreign Counterpart to U.S. Appl. No. 13/757,742, dated Aug. 5, 2014, pp. 1 through 5, Published: WO.

International Searching Authority, "International Search Report and Written Opinion from PCT Application No. PCT/US2013/024532", from Foreign Counterpart to U.S. Appl. No. 13/757,742, dated Jun. 2, 2013, pp. 1 through 7, Published: WO.

State Intellectual Property Office of the People's Republic of China, "First Office Action from CN Application No. 201380006222.8", from Foreign Counterpart to U.S. Appl. No. 13/757,742, dated Nov. 4, 2016, pp. 1 through 14, Published: CN.

U.S. Patent and Trademark Office, "Advisory Action", U.S. Appl. No. 15/287,210, dated Dec. 12, 2017, pp. 1 through 3, Published: US.

U.S. Patent and Trademark Office, "Final Office Action", U.S. Appl. No. 15/287,210, dated Sep. 19, 2017, pp. 1 through 24, Published: US.

U.S. Patent and Trademark Office, "Notice of Allowance", U.S. Appl. No. 13/757,742, dated Jun. 12, 2014, pp. 1 through 13, Published: US.

U.S. Patent and Trademark Office, "Notice of Allowance", U.S. Appl. No. 14/481,214, dated Jun. 9, 2016, pp. 1 through 19, Published: US.

U.S. Patent and Trademark Office, "Notice of Allowance", U.S. Appl. No. 15/287,210, dated Jun. 20, 2018, pp. 1 through 12, Published: US.

U.S. Patent and Trademark Office, "Office Action", U.S. Appl. No. 13/757,742, dated Jan. 31, 2014, pp. 1 through 31, Published: US.

U.S. Patent and Trademark Office, "Office Action", U.S. Appl. No. 14/481,214, dated Nov. 30, 2015, pp. 1 through 22, Published: US.

U.S. Patent and Trademark Office, "Office Action", U.S. Appl. No. 15/287,210, dated Feb. 6, 2018, pp. 1 through 12, Published: US.

U.S. Patent and Trademark Office, "Office Action", U.S. Appl. No. 15/287,210, dated Apr. 12, 2017, pp. 1 through 28, Published: US.

U.S. Patent and Trademark Office, "Restriction Requirement", U.S. Appl. No. 14/481,214, dated Sep. 8, 2015, pp. 1 through 6, Published: US.

(56)

References Cited

OTHER PUBLICATIONS

European Patent Office, "Communication pursuant to Article 94(3) EPC from EP Application No. 18188807.4", from Foreign Counterpart to U.S. Appl. No. 13/757,742, dated Sep. 9, 2021, pp. 1 through 6, Published: EP.

European Patent Office, "Extended European Search Report from EP Application No. 18188807.4", from Foreign Counterpart to U.S. Appl. No. 13/757,742, dated Oct. 12, 2018, pp. 1 through 13, Published: EP.

U.S. Patent Office, "Notice of Allowance", "from U.S. Appl. No. 14/481,214", dated Jun. 9, 2016, pp. 1-19, Published in: US.

European Patent Office, "Supplementary Search Report for EP Application No. 13743302", dated Sep. 29, 2015, pp. 1-8, Published in: EP.

International Search Authority, "International Preliminary Report on Patentability for PCT Application No. PCT/US2013/024532",

"from Foreign Counterpart to U.S. Appl. No. 13/757,742", dated Aug. 5, 2014, pp. 1-5, Published in: WO.

International Search Authority, "International Search Report for PCT/US2013/024532", "from Foreign Counterpart to U.S. Appl. No. 13/757,742", dated Jun. 2, 2013, pp. 1-2, Published in: WO.

International Search Authority, "International Preliminary Report on Patentability for PCT/US2011/056809", dated Apr. 23, 2013, pp. 1-11, Published in: WO.

4G Americas, "Self-Optimizing Networks: The Benefits of SON in LTE", Jul. 1, 2011, p. 70.

European Patent Office, "Communication Pursuant to Article 94(3) for EP Application No. 13743302.5", "Foreign Counterpart to U.S. Appl. No. 13/757,742", dated Feb. 7, 2017, pp. 1-5, Published in: EP.

China Patent Office, "Notice of Allowance for CN Application No. 201380006222.8", "from Foreign Counterpart to U.S. Appl. No. 13/757,742", dated May 17, 2017, pp. 1-5, Published in: CN.

* cited by examiner

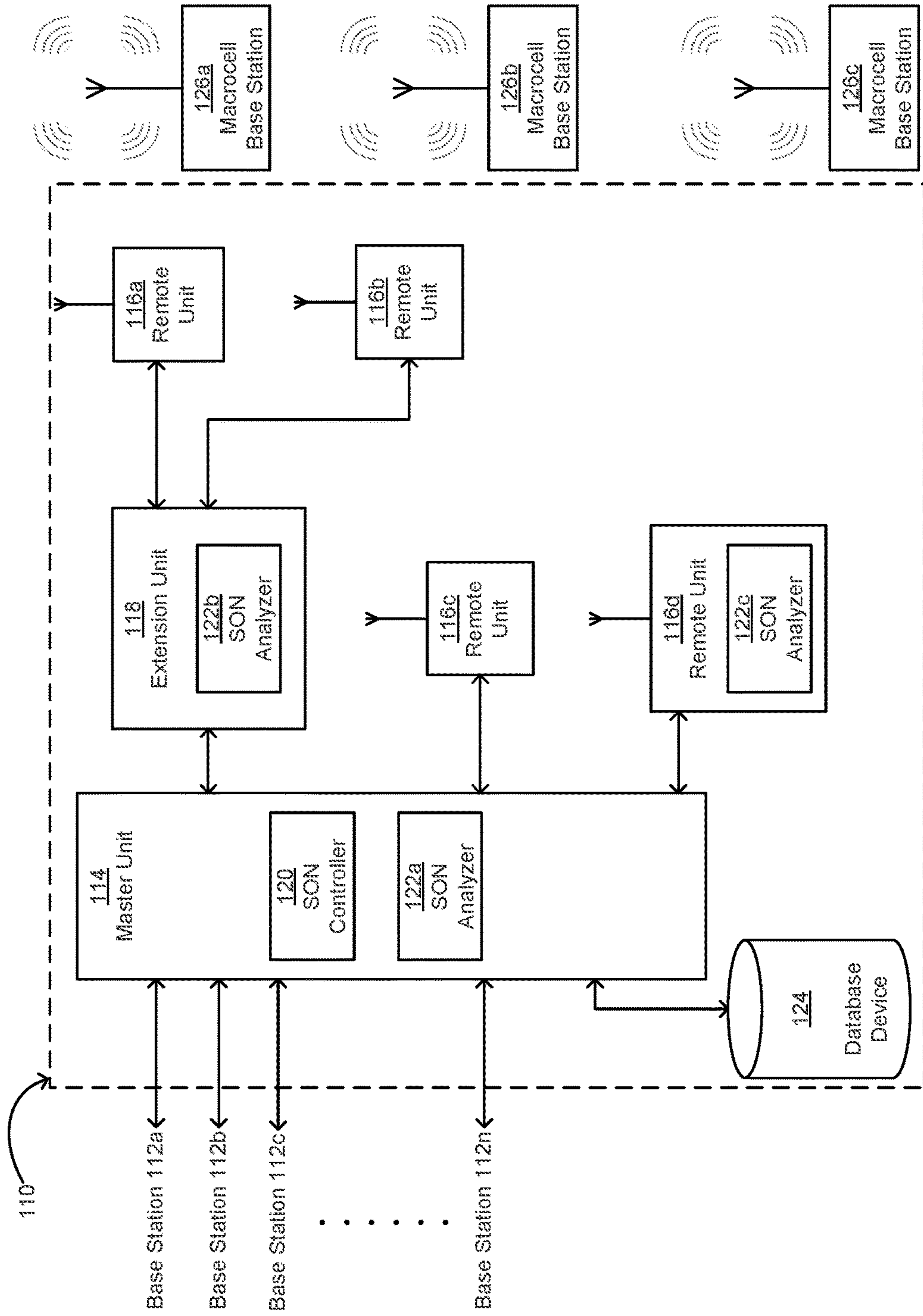


FIG. 1

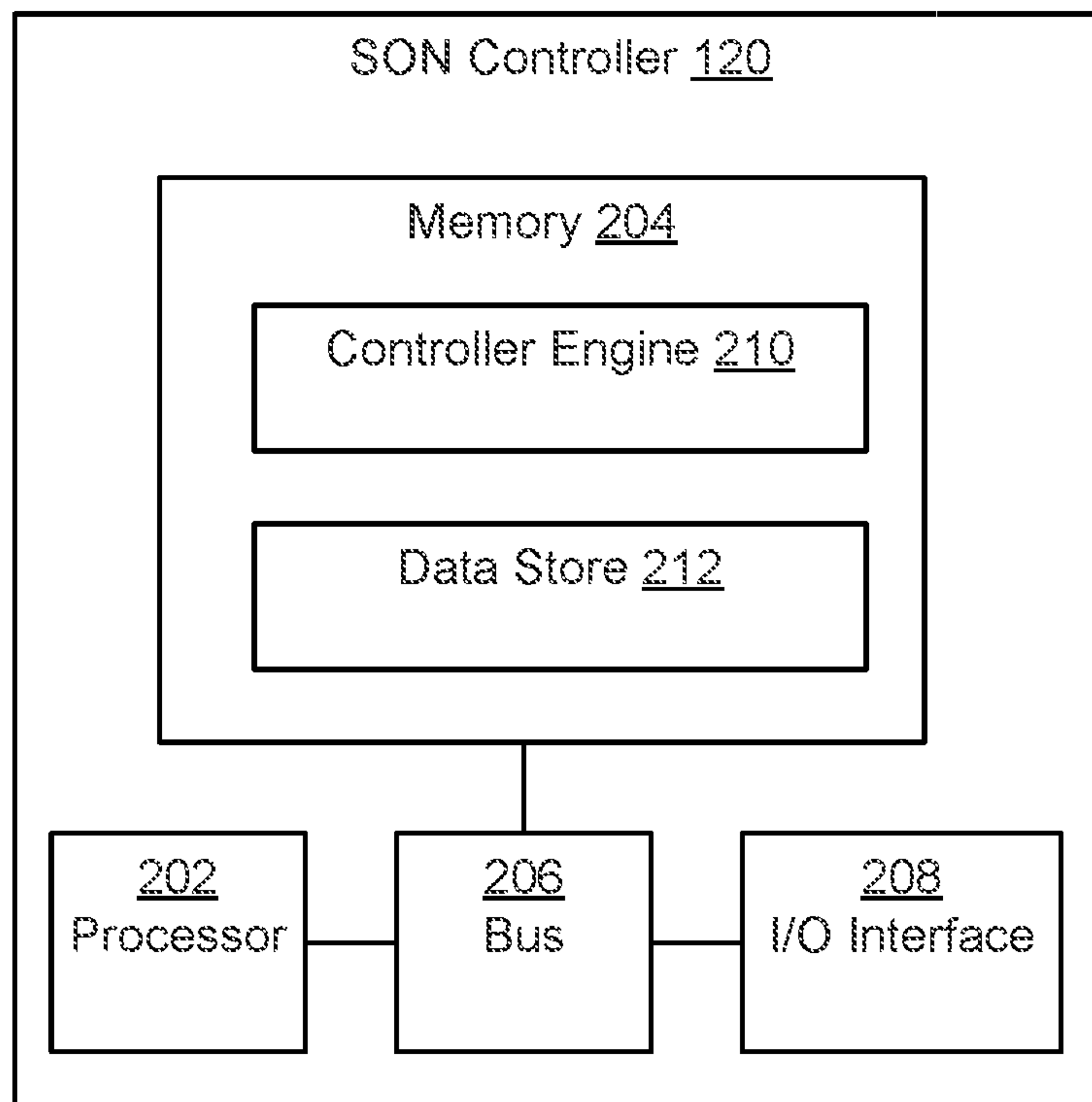


FIG. 2

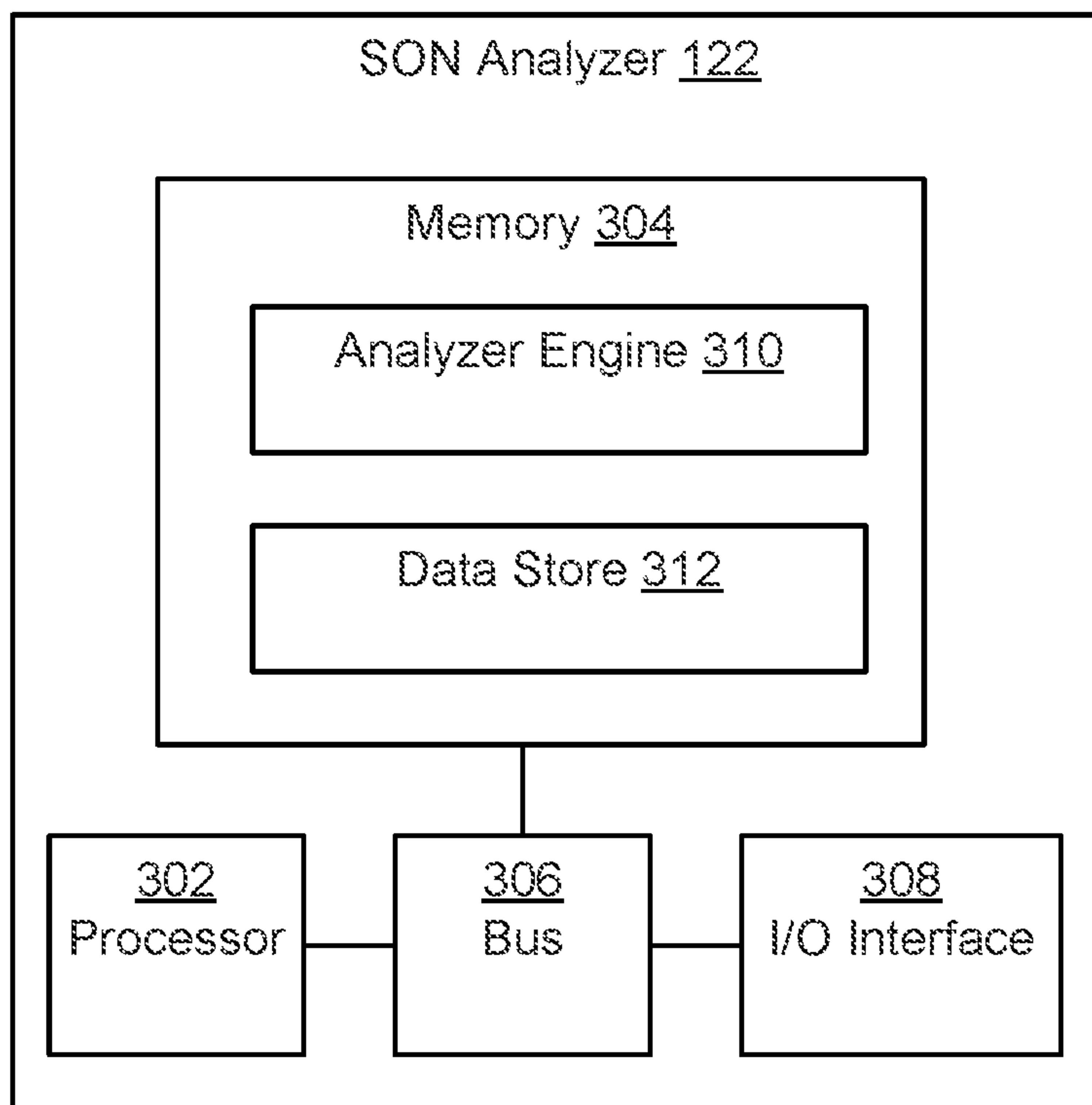


FIG. 3

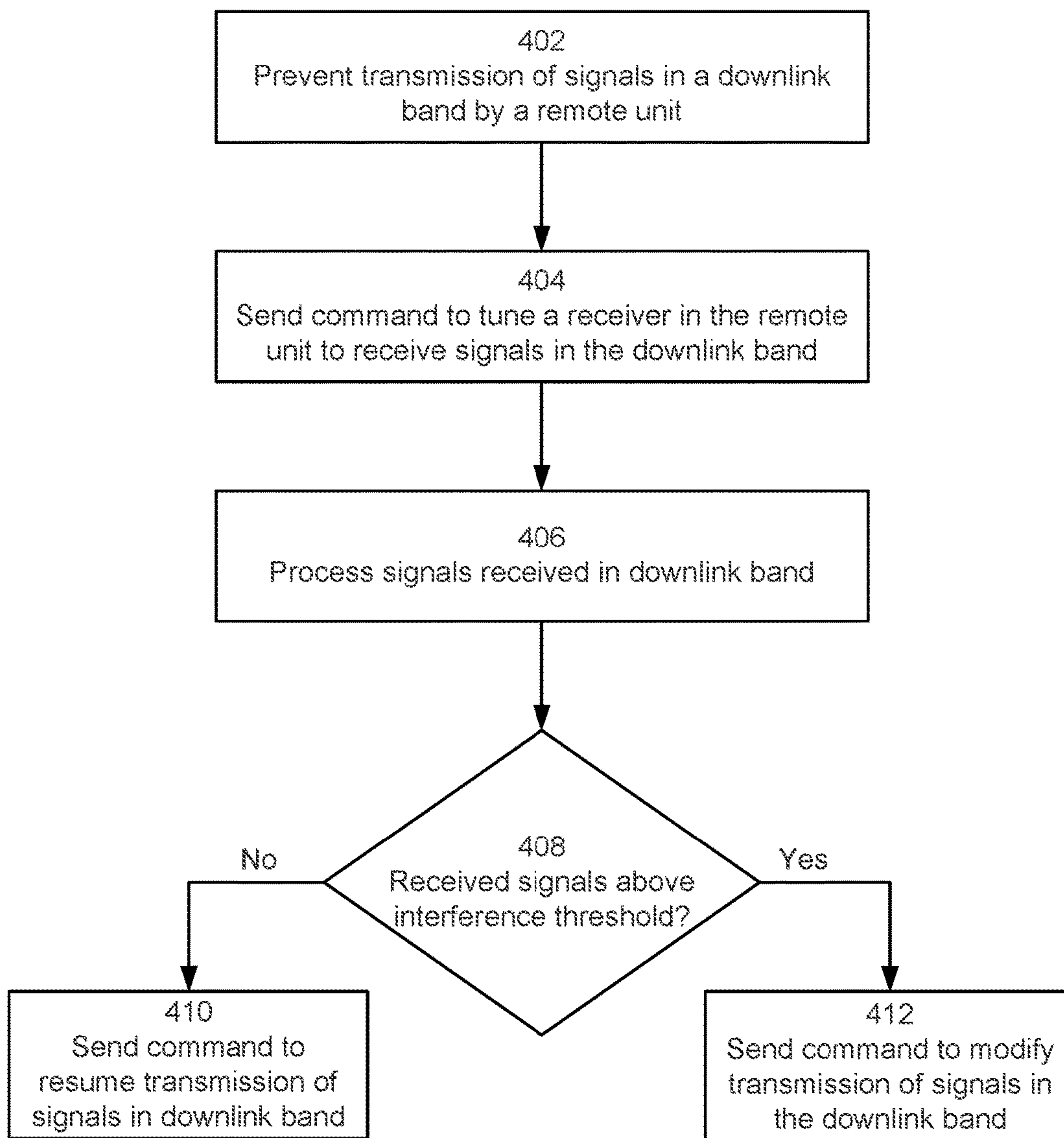


FIG. 4

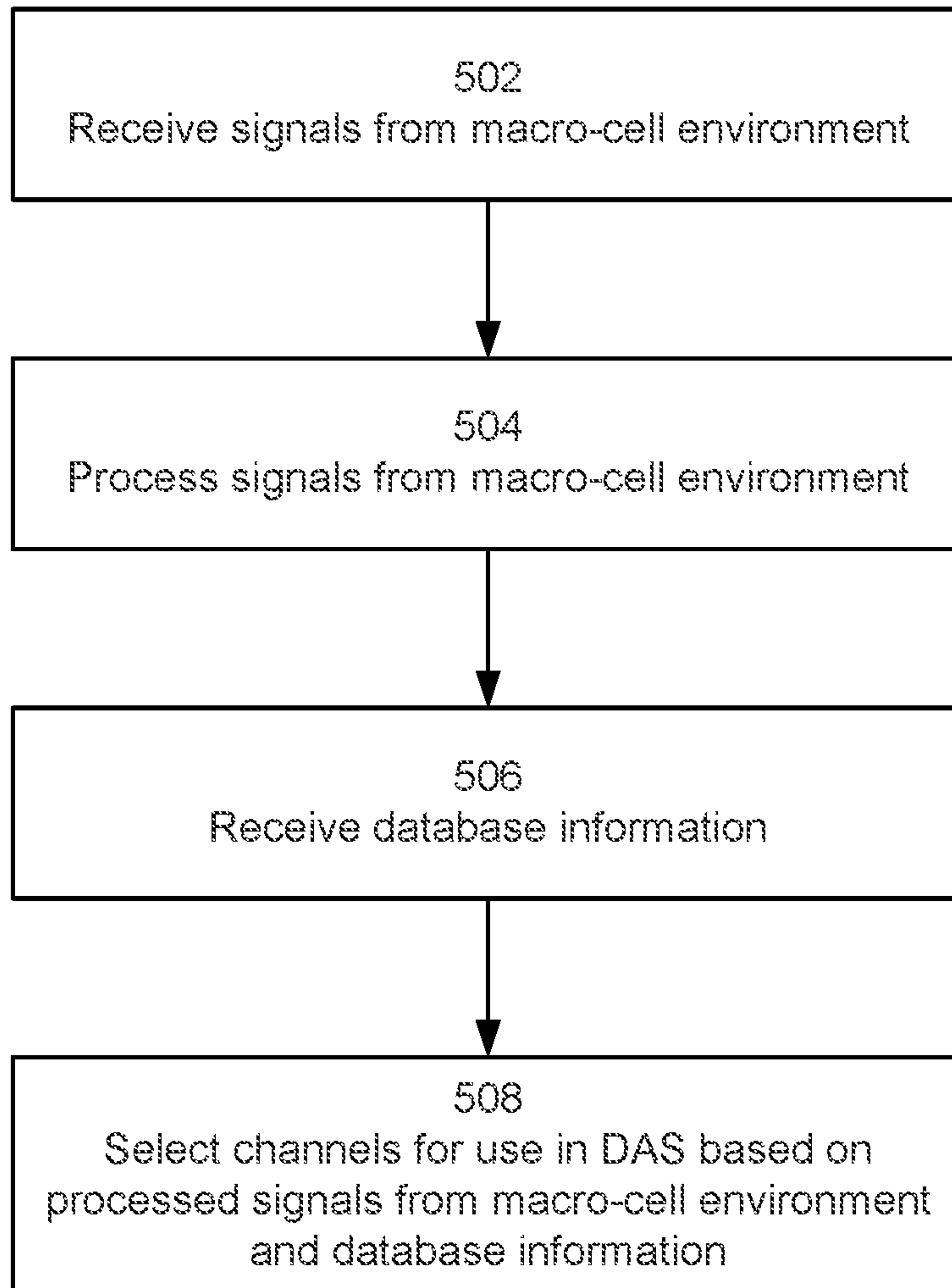


FIG. 5

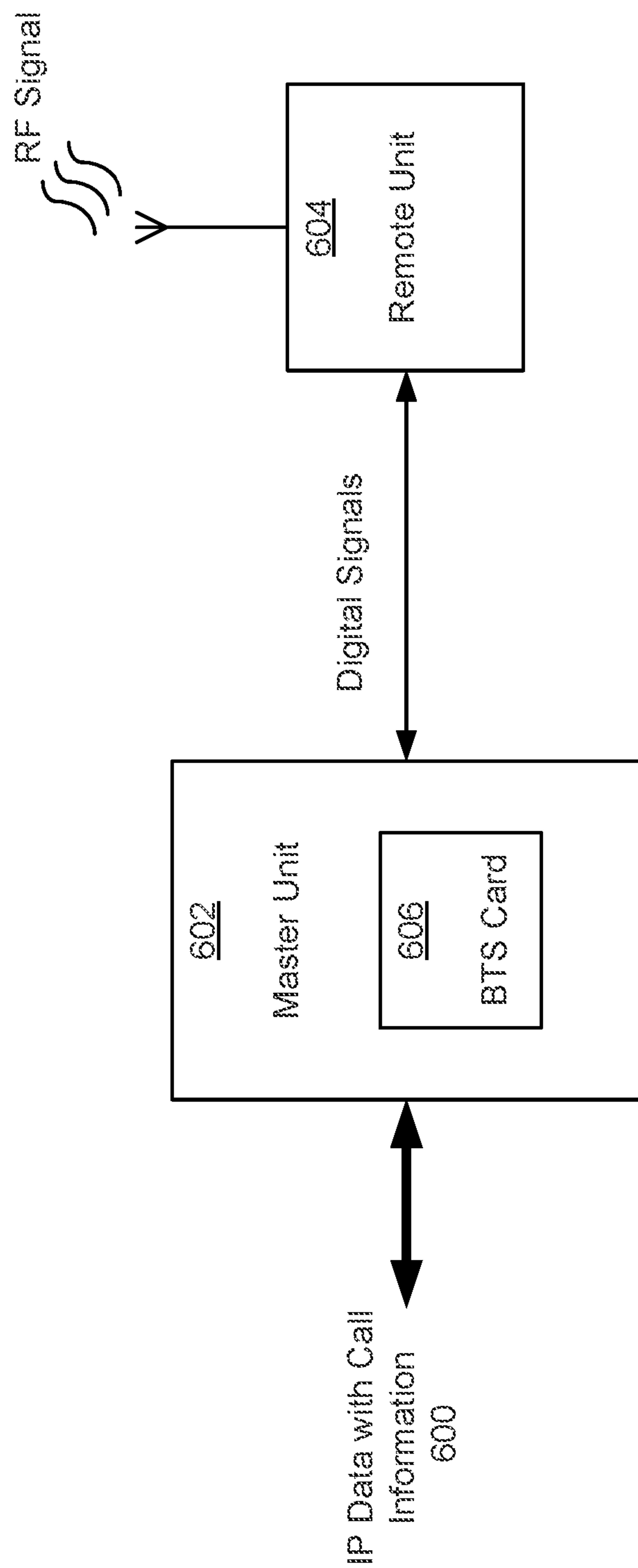


FIG. 6

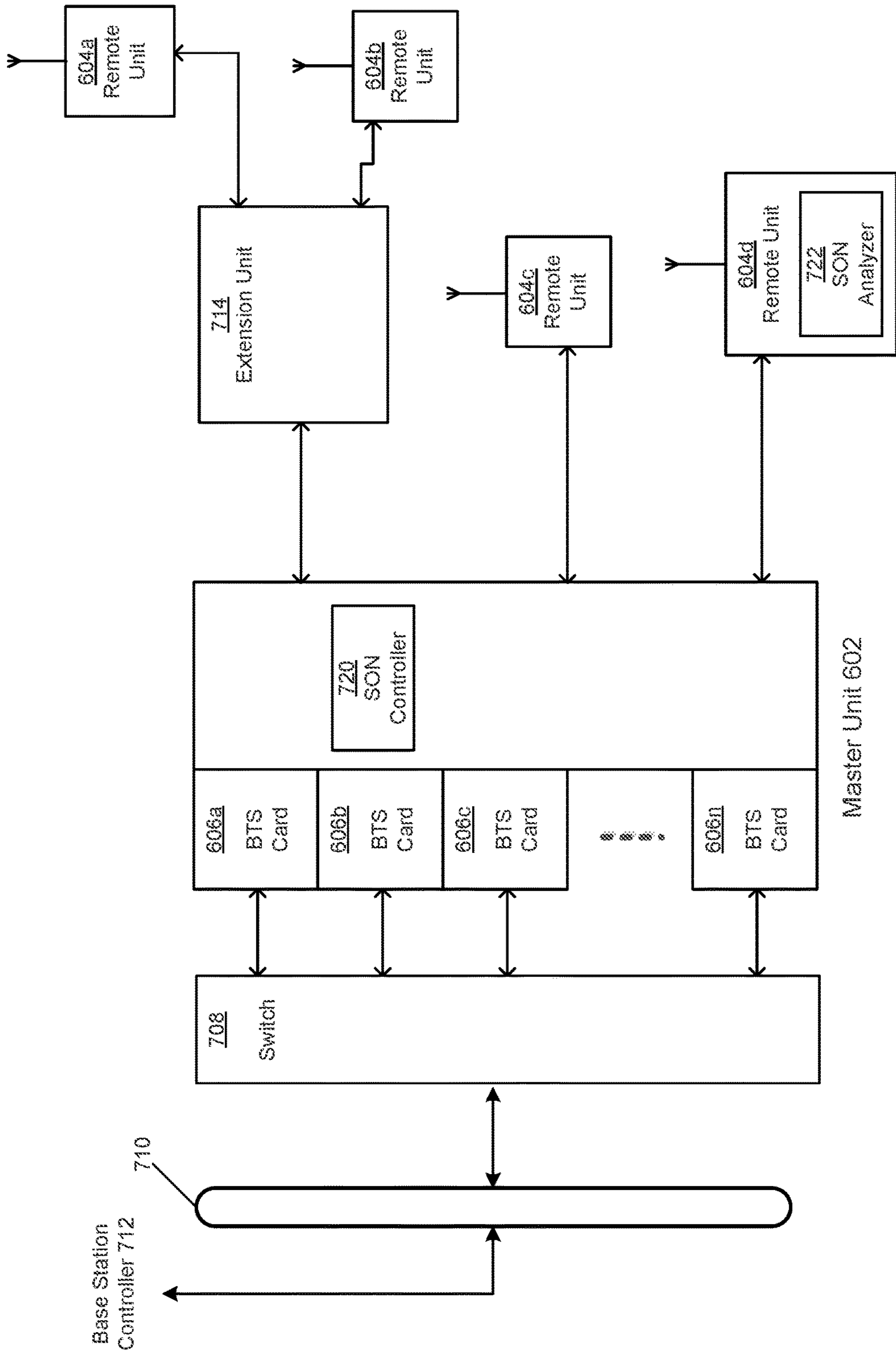


FIG. 7

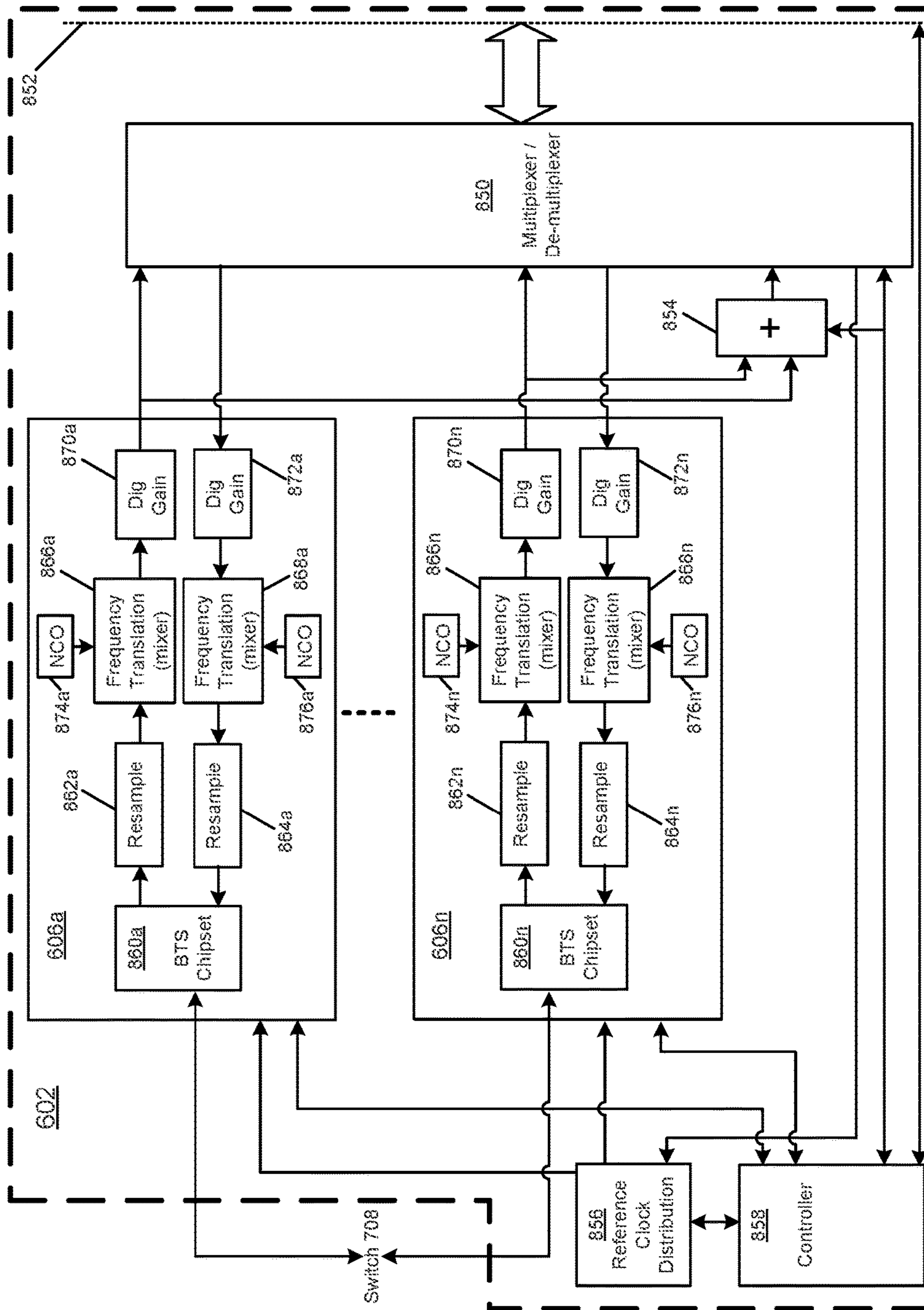


FIG. 8

OPTIMIZED TELECOMMUNICATIONS DISTRIBUTION SYSTEM

Matter enclosed in heavy brackets [] appears in the original patent but forms no part of this reissue specification; matter printed in italics indicates the additions made by reissue; a claim printed with strikethrough indicates that the claim was canceled, disclaimed, or held invalid by a prior post-patent action or proceeding.

CROSS-REFERENCE TO RELATED APPLICATIONS

This *reissue application is a reissue of U.S. Pat. No. 10,111,116 (application Ser. No. 15/287,210 filed Oct. 6, 2016), which is a continuation of U.S. Non-Provisional patent application Ser. No. 14/481,214 filed Sep. 9, 2014 and titled "Optimized Telecommunications Distribution System[:]"*, which is a continuation of U.S. Non-Provisional patent application Ser. No. 13/757,742 filed Feb. 2, 2013 and titled "Optimized Telecommunications Distribution System", which claims priority to U.S. Provisional Application Ser. No. 61/594,085 filed Feb. 2, 2012 and titled "Multi-Base Station with Configurable Distribution Using Active Antennas", the contents of each of which are hereby incorporated by reference.

TECHNICAL FIELD

The present invention relates generally to telecommunications and, more particularly (although not necessarily exclusively), to optimized systems for distributing telecommunications signals.

BACKGROUND

A distributed antenna system ("DAS") can be used to extend the coverage of a cellular communication system to areas of traditionally low signal coverage, such as within buildings, tunnels, or in areas obstructed by terrain features. A DAS can extend coverage by receiving signals from a base station of a cellular communication system and re-transmitting the signals directly into low-coverage areas. A DAS can include a master unit distributing signals to, and receiving signals from, remote antenna units that are physically separate from the master unit, but in communication with the master unit over a link. A remote antenna unit can wirelessly communicate signals to wireless devices positioned in a coverage area.

Optimized DAS's and/or DAS's having base transceiver station capabilities are desirable.

SUMMARY

In one aspect, a distributed antenna system is provided that includes a master unit, a self-optimized network analyzer, and a self-optimized network controller. The master unit can transceive signals with remote units that can wirelessly transceive signals with mobile devices in a coverage area. The self-optimized network analyzer is in a unit of the distributed antenna system. The self-optimized network controller can output commands for changing operation of a component in the distributed antenna system in response to analysis results from the self-optimized network analyzer.

In another aspect, a distributed antenna system is provided that includes a master unit. The master unit can

communicate digitized signals with remote units operable for providing wireless network coverage in an area. The master unit includes base transceiver station cards that can receive call information in network protocol data from a network and that can generate digital signals including the call information from the network protocol data for distribution to the remote units.

In another aspect, a distributed antenna system is provided that includes a master unit, a self-optimized network analyzer, and a self-optimized network controller. The master unit can communicate digitized signals with remote units operable for providing wireless network coverage in an area. The master unit includes base transceiver station cards that can receive call information in network protocol data from a network and that can generate digital signals including the call information from the network protocol data for distribution to the remote units. The self-optimized network analyzer is in a unit of the distributed antenna system. The self-optimized network controller is in the master unit and can output commands for changing operation of a component in the distributed antenna system in response to analysis results from the self-optimized network analyzer.

The details of one or more aspects and examples are set forth in the accompanying drawings and the description below. Other features and aspects will become apparent from the description, the drawings, and the claims.

BRIEF DESCRIPTION OF THE DRAWINGS

FIG. 1 is a block diagram of an example of a distributed antenna system.

FIG. 2 is a block diagram of an example of a self-optimized network controller.

FIG. 3 is a block diagram of an example of a self-optimized network analyzer.

FIG. 4 is a flow chart of an example of a process for optimizing a distributed antenna system based on interference in a downlink band.

FIG. 5 is a flow chart of an example of a process for selecting channels to use in a distributed antenna system.

FIG. 6 is a block diagram of an example of a multi-base transceiver station distributed antenna system.

FIG. 7 is a block diagram of the multi-base transceiver station distributed antenna system of FIG. 6 in communication with a base station controller according to one example.

FIG. 8 is a block diagram of a master unit of the multi-base transceiver station distributed antenna system of FIG. 7 in communication with a switch according to one example.

DETAILED DESCRIPTION

Certain aspects and examples of the present invention are directed to a distributed antenna system ("DAS") that is optimized. In some aspects, a DAS includes self-optimized network ("SON") capabilities, also referred to as self-organizing network capabilities or self-organized network capabilities. SON capabilities can include, among others, detecting interference in a downlink band and modifying transmission of signals in the downlink band, identifying free frequencies by analyzing frequencies used in a macro-cell environment, and storing information about frequencies used in a macro-cell environment. SON capabilities can use less centralized network planning and employ algorithms that can, for example, identify the locally used frequencies and determine the frequencies for a new base station trans-

ceiver (“BTS”) from the results of the algorithms. Local or remote databases can be used to support the algorithms. The algorithms can minimize the amount of interference created and experienced by new BTS signals.

In some aspects, the DAS is a multi-base transceiver station DAS (“MB-DAS”). The MB-DAS may include the SON capabilities and/or additional SON capabilities, or no SON capabilities. The MB-DAS can include one or more BTS cards. The BTS cards can encode signals, decode signals, process signals into a proper wireless protocol, communicate signals to a BTS controller or mobile telephone switching office, and provide processed signals for digital distribution to distributed antennas in a coverage area. In some aspects, a MB-DAS can distribute signals without requiring installation or use of a conventional BTS. The BTS cards can be easily added, removed, or replaced to provide desired wireless communication protocol transmission and allow capacity to be easily configurable. An MB-DAS, according some aspects, may include additional SON capabilities, such as synchronization in frequency and in timing among BTS cards, macro-cell to DAS-cell hand-in configuration, DAS-cell to macro-cell hand-off configuration, maintenance of macro-cell and DAS-cell database information, and mapping of antenna units with macro-cell hand-off and hand-in support. Although “BTS” and “MB-DAS” are used herein, NodeB (e.g., for 3G-UMTS wireless networks) and/or eNodeB (e.g., for 4G LTE) can additionally or alternatively be used.

FIG. 1 depicts an example of a DAS 110 in communication with one or more base stations 112a-n, which may be base transceiver stations. The DAS 110 can include a master unit 114, remote units 116a-d, and an extension unit 118. The DAS 110 may be positioned in an area of low signal coverage, such as the interior of a building, to extend wireless communication coverage. Extending wireless coverage can include communicating signals between base stations 112a-n and wireless devices positioned in a coverage area of the DAS 110.

The master unit 114 can receive downlink signals from one or more base stations 112a-n via a wired or wireless communication medium. The master unit 114 can also provide uplink signals to the base stations 112a-n.

The master unit 114 can communicate uplink and downlink signals between the base stations 112a-n and one or more remote units 116a-d distributed in the environment to provide coverage within a service area of the DAS 110.

The master unit 114 can convert downlink signals received from the base stations 112a-n, such as RF signals, into one or more digital data streams. A group of signals represented by digital data streams can form a band set. The master unit 114 can include circuitry, such as summers or multiplexers, configured to combine the digital data streams within a band set into a band stream. The band stream may be a single digital data stream that includes the digital data streams representing the signals in a band set. In some aspects, combining the digital data streams can include summing or adding signals within a band set. In other aspects, combining the digital data streams can include multiplexing the digital data streams into a serialized band stream.

The master unit 114 can provide downlink signals, such as digital data streams, to some of the remote units, such as remote units 116a-b via an extension unit 118. A non-limiting example of an extension unit is a transport extension node. The extension unit 118 can extend the range of the master unit 114. A master unit 114 may transmit optical downlink signals over an optical fiber link to extension unit

118. The extension unit 118 can convert the optical downlink signals to electrical downlink signals and provide the electrical downlink signals to remote units 116a-b over a copper cable, such as a coaxial cable, or other suitable communication medium.

The master unit 114 can also directly provide downlink signals to the remote units, such as remote units 116c-d. Directly providing downlink signals can include, for example, communicating the downlink signals from the master unit 114 to the remote units 116c-d without the downlink signals being received by a separate communication device, such as a transport extension node or other device, in the signal path between the master unit 114 and a remote unit.

The remote units 116a-d can convert digital data streams to RF signals. The remote units 116a-d can amplify the downlink signals and radiate the downlink signals using antennas to a number of different wireless devices, such as (but not limited to) cellular phones, operating in the environment of the DAS 110. A non-limiting example of a remote unit is a universal access point.

In an uplink direction, the remote units 116a-d can receive uplink RF signals, convert them to digital data streams, and provide the uplink digital data streams to the master unit 114 or the extension unit 118. The extension unit 118 can combine uplink digital data streams into combined digital data streams, such as band streams, and provide the combined digital data streams to the master unit 114. In some aspects, the master unit 114 can convert uplink digital data streams received from the remote units 116a-d and/or the extension unit 118 into uplink RF signals. The master unit 114 can provide the uplink RF signals to the base stations 112a-n. In other aspects, the master unit 114 can convert uplink digital data streams received from the remote units 116a-d into digital signals formatted for transmission to the base stations 112a-n that communicate using digital signals, in a standardized digital format or otherwise.

The master unit 114, extension unit 118, and remote units 116a-d can communicate via communication transport links. A communication transport link can include one or a series of physical connections over which a remote unit can communicate with the master unit 114 directly or through the extension unit 118. A communication transport link can include any type of communication medium capable of transporting signals between the master unit 114, the extension unit 118, and/or the remote units 116a-d.

Although the DAS 110 is depicted as including one master unit 114, one extension unit 118, and four remote units 116a-d, any number (including one) of each can be used. For example, a DAS 110 may include dozens of extension units and hundreds of remote antenna units.

The DAS 110 can also include SON components, such as SON controller 120 and one or more SON analyzers 122a-c. The SON controller 120 is shown as being located in the master unit 114, but the SON controller 120 can be located in other components of the DAS 110, as a separate component of the DAS 110, or in a device external to the DAS 110. In some aspects, the DAS includes one SON analyzer located in a component of a DAS.

Each of the SON analyzers 122a-c may be capture and analysis sub-systems that can analyze signals or other information associated with the DAS 110 and provide analysis results to the SON controller 120. The SON controller 120 can output commands for changing operation of a component in the DAS 110 in response to the analysis results and/or information stored locally or stored remotely, such as

in a database device **124** in communication with the master unit **114** but remote from the DAS **110**.

DAS **110** may provide mobile telecommunication coverage for an area and be located close to macrocell coverage areas, such as areas serviced by macrocell base station **126a** by a first carrier, macrocell base station **126b** by a second carrier, and macrocell base station **126c** by a first carrier.

FIG. **2** depicts an example of the SON controller **120**. Other configurations and examples may, of course, be utilized. The SON controller **120** may be any device that can process data and execute code that is a set of instructions to perform actions. The SON controller **120** includes a processor **202**, a memory **204**, a bus **206**, and an input/output (I/O) interface **208**. The memory **204** includes a controller engine **210** and a data store **212**.

The processor **202** can execute code stored on a computer-readable medium, such as the memory **204**, to cause the SON controller **120** determine a command and output the command to change operation of a component of a DAS. Non-limiting examples of a processor **202** include a micro-processor, an application-specific integrated circuit (“ASIC”), a field-programmable Gate Array (“FPGA”), or other suitable processor. The processor **202** may include one processor or any number of processors.

The processor **202** can access code stored in the memory **204** via a bus **206**. Memory **204** may be any non-transitory computer-readable medium capable of tangibly embodying code and can include electronic, magnetic, or optical devices. Non-limiting examples of a memory **204** include random access memory (RAM), read-only memory (ROM), magnetic disk, an ASIC, a configured processor, or other storage device. Bus **206** may be any device capable of transferring data between components of the SON controller **120**. Bus **206** can include one device or multiple devices. Instructions can be stored in the memory **204** as executable code. The instructions can include processor-specific instructions generated by a compiler and/or an interpreter from code written in any suitable computer-programming language.

The controller engine **210** can receive through an I/O interface **208** inputs such as analysis results from one or more of the SON analyzers **122a-c** and information from database device **124** in FIG. **1**. The controller engine **210** can also cause data to be stored in data store **212** and access the data in data store **212**. For example, the controller engine **210** can store a history of measurements and use the stored history of measurements to perform DAS configuration changes at a later date.

FIG. **3** depicts an example of a SON analyzer **122**. Other configurations and examples may, of course, be utilized. The SON analyzer **122** is similar to the SON controller **120** of FIG. **2** and may be any device that can process data and execute code that is a set of instructions to perform actions. The SON analyzer **122** includes a processor **302**, a memory **304**, a bus **306**, and an input/output (I/O) interface **308**. The memory **304** includes an analyzer engine **310** and a data store **312**.

The processor **302** can be similar to the processor **202** of FIG. **2** and can execute code stored on a computer-readable medium, such as the memory **304**, to cause the SON analyzer **122** to receive signals and information, analyze the signals and information, and output analysis results. The processor **302** can access code stored in the memory **304** via a bus **306**. Memory **304** can be similar to memory **204** of FIG. **2**, and may be any non-transitory computer-readable medium capable of tangibly embodying code and can include electronic, magnetic, or optical devices. Bus **306**

may be any device capable of transferring data between components of the SON analyzer **122**.

The analyzer engine **310** can receive through an I/O interface **308** inputs such as signals and information from the DAS **110**, analyze the signals and information, and provide the analysis results through the I/O interface **308** for receipt by the SON controller **120**. In some aspects, the analyzer engine **310** can be triggered to analyze signals or other information based on a command from a SON controller or a device external to the DAS **110**.

Examples of SON Capabilities

A DAS according to some aspects, can be located close to (or in some cases in) an environment served by a macrocell. Signals from the macrocell may be strong enough to interfere with one or more signals transmitted by a remote unit of the DAS. For example, macrocell interface may be caused by signals in a downlink band in which the remote unit also transmits signals. There may also be sources of interference other than a macrocell. The SON controller **120** and SON analyzer **122** can detect and measure sources of interference in an uplink (e.g., a signal path from a mobile device to the master unit **114**) band and/or a downlink (e.g., a signal path from the master unit **114** to the mobile device) band and modify operation of the DAS **110** in response to that analysis. FIG. **4** is a flow chart that depicts one example for detecting interference in a downlink band and modifying operation of the DAS **110**.

In block **402**, the SON controller **120** outputs a command for preventing the DAS **110** from transmitting signals in a selected downlink band by a remote unit, such as one of the remote units **116a-d**, a subset of the remote units **116a-d**, or all of the remote units **116a-d**. The downlink band can be selected in the order of downlink bands being transmitted by the DAS **110**, a list of potential macrocell bands, or otherwise.

In block **404**, the SON controller **120** sends a command to tune a receiver in the remote unit to receive signals in the downlink band. Receivers in remote units **116a-d** can be tuned to selected uplink bands for the DAS to receive signals from mobile devices in a coverage area. The receiver can respond to the command from the SON controller **120** by changing operation to receive the downlink band rather than the uplink band.

Signals in the downlink band can be received by the remote unit. In block **406**, a SON analyzer **122** located in the remote unit, in the extension unit **118**, or in the master unit **114**, processes the signals received in the downlink band. In some aspects, the signals are digitized and processed by the SON analyzer **122** to detect RF power in the downlink band, detect the power of individual RF channels in the downlink band, determine the modulation type of the channel, and decode information on the detected channel. The SON analyzer **122** can send the analysis results to the SON controller **120**. In some aspects, the SON analyzer **122** analyzes the signal power level of the pilot signal instead of the composite signal level, which can depend on traffic level, in each channel, portion of a channel, or multiple portions of the downlink band.

In block **408**, the SON controller **120** determines, based on the analysis results, whether the received signals are above an interference threshold. The interference threshold may be a pre-set threshold that is defined by the user of the DAS **110** or pre-defined within the DAS **110** during manufacturing. The interference threshold may be stored locally or remotely and accessed by the SON controller **120**.

If the received signals are not above the interference threshold, the SON controller **120** sends a command to

resume transmission of DAS signals in the downlink band and causes the receiver to be re-tuned to the uplink band instead of the downlink band, in block 410. The command may be sent to one or more components of the master unit 114 and/or a remote unit. If the received signals are above the interference threshold, the SON controller 120 sends a command to modify transmission of signals in the downlink band, in block 412. For example, the SON controller 120 can cause the gain applied to the signals in the downlink band to increase and cause the receiver to be re-tuned to the uplink band rather than the downlink band. If the received signals are significantly above the interference threshold, the SON controller 120 can cause downlink signals to be transmitted in a different downlink band or a different portion of the downlink band.

The measurement and enabling/disabling of signal transmission by the remote unit can be performed upon user command, automatically during initial commissioning, or automatically scheduled during times that are least likely to impact system interference (e.g., during nighttime hours). If performed automatically at certain intervals, hysteresis can be used to prevent frequent enabling/disabling of signals at a remote unit. In addition, a history of past measurements can be stored for the remote unit and the history can be used to evaluate whether to enable or disable the signal at the remote unit. In other aspects, a remote unit can include a dedicated receiver for downlink bands rather than tuning a receiver normally used for uplink signal reception. In addition or alternatively, this process can be used to measure transmit power by neighboring remote units as received by a particular remote unit and to adjust the power level of each remote unit in the case of multiple factors.

SON capabilities can include selecting channels for use in the DAS 110. FIG. 5 depicts an example of a process for doing so. In block 502, signals from a macro-cell environment are received by a SON analyzer 122. In some aspects, the SON analyzer 122 can perform received signal strength indication (RSSI) of the wireless bands to identify active channels within the wireless bands. The number of channels can be estimated from the centers of RSSI energy. Local or remote database information can be used to determine on which frequency to expect a wireless communication channel. A potential macro-cell channel candidate list that is sorted according to the RSSI strength and the channel bandwidth can be maintained for a predetermined depth. In addition, a second list of channels where no significant activity has been detected can be maintained as a list of potential DAS-cell channel candidates. This list can be sorted according to the RSSI level or the change from the noise level and its available bandwidth, ranking the entry the highest that has the lowest RSSI and the highest bandwidth.

In some aspects, the SON controller 120 can initiate the scan of the SON analyzer 122 of wireless communication bands to measure RSSI and decode identified signals present in the coverage area of the DAS. The scanning can be performed by tuning the receive section of one or more of the remote units 116a-d to downlink frequencies or bands. Transmit portions of the remote unit used for scanning (and potentially one or more adjacent remote units) can be caused by the SON controller 120 to temporarily pause transmission during scanning. Scanning can be performed on all bands or just a subset of bands, and can be periodically repeated.

In block 504, the SON analyzer 122 processes the signals from the macro-cell environment. For example, the SON analyzer 122 can periodically decode the signals from the potential macro-cell channel candidate list and determine parameters, such as the absolute frequency of the decoded

channel with respect to the internal frequency reference, the timing offset to the internal timing reference, the absolute timing such as the frame number, and key network parameter such as Mobile Country Code, Mobile Network Code, Cell ID, Location Area Code, list of neighbor cells, etc. The SON controller 120 can maintain the results in a database.

In block 506, the SON controller 120 receives database information stored locally or remotely in database device 124 or otherwise. The database information can include the parameters and/or other types of information related to the macrocell and DAS. For example, the database information can include scanning results for each remote unit individually or on a per operator basis, identification of a comment set of cells according to signal strengths and presence counted in each remote unit, and/or cell parameters (e.g., for GSM network, MCC, MNC, CellID, LAC, BSID, and Neighbor Cells). In some aspects, the database information includes a location of the DAS system. For example, the SON controller 120 can determine the location of the DAS system using user-configured location data, GPS receiver data, macro-cell trilateration functions, macro-cell system location information (CellID or the location coordinates when transmitted), and/or map data, such as data from GOOGLE MAPS™. The SON controller 120 can use the information to determine the position of a mobile device from the presence of the wireless carriers received by the device. The SON controller 120 may also determine and store the assigned frequencies for each operator that is planned to be assigned to the DAS 110 using the determined location and/or information from public databases, private databases, the FCC database or information published by the European Communications Office. Map information to determine the boundaries of the assigned frequencies can also be retrieved from local or remote databases.

The SON controller 120 can determine whether the operator has assigned a preferred channel or set of channels to be used for a SON-type network from database information. As an alternative, the channel or set of channels present in the neighbor list of the detected macro-cell signals that do not show any RSSI activity may be used.

In block 508, the SON controller 120 selects channels for use in the DAS 110 based on the processed signals from the macro-cell environment and database information. For example, the SON controller 120 can analyze the list of potential DAS-cell channel candidates and select channels that are preferred, have the lowest RSSI, or have the highest distance in frequency to high RSSI channels. The SON controller 120 can output commands to components of the DAS 110 to configure the components to transmit and/or receive the selected channels. For frequency and timing synchronization, the SON controller 120 can use the strongest received channel from one operator. If the frequency and timing is different for signals in different RF bands for the same operator, the SON controller 120 can maintain synchronicity with signals from both bands. A similar process can be applied to signals from the same operator employing different standards.

Multi-Base Transceiver Station Distributed Antenna System

A DAS according to some aspects may be an MB-DAS with configurable distribution that may use active antenna units. The MB-DAS can include a centralized host or master unit housing BTS cards. In other aspects, one or more remote units of the MB-DAS includes BTS cards that can receive network protocol data, such as internet protocol data, from a host or master unit.

BTS cards may be capacity elements that are connected to a network backbone via IP-based interfaces. Wireless com-

munication signals can be communicated to and from the BTS cards via a digital interface as complex digital base-band signals or complex digital or real digital intermediate frequency signals at a relatively low sampling rate. A BTS card may be associated with a single operator or a multiple operator. The BTS card can be dedicated to the generation and decoding of signals that are targeted for transmission and reception in a single wireless communication RF band or be dedicated to multiple wireless communication RF bands. Multiple bands can be communicated to and from the BTS card using individual busses for each band or using a multiplexed data interface.

FIG. 6 depicts one example of an MB-DAS. The MB-DAS includes a master unit **602** that can transceive IP data with call information **600** over an IP network, and can transceive digital signals with a remote unit **604** that can wirelessly transceive RF signals for providing coverage in an environment. In some aspects, the remote unit **604** is an active antenna unit. Included in the master unit **602** are one or more BTS cards **606**.

The digital wireless downlink signals of each BTS card **606** may be re-sampled, converted to an individual digital IF signal (represented as complex or real samples), digitally conditioned, and digitally summed or otherwise combined with other digital downlink signals from BTS cards to a summed digital IF signal stream. Each digital IF signal stream can be designated to be transmitted in the same wireless communication RF band. To frequency position the signals of each BTS card **606** within the summed digital IF stream by the system controller, the target RF center frequency of the BTS card signal can be determined. The summed digital signal can be multiplexed and framed for transport via a digital communication link to a signal processor board on which it can be further digitally switched and summed with other summed signal streams into a digital zone signal stream. The zone signal stream can be multiplexed and framed onto a transport stream, which can be a parallel or serial link. In one aspect, the transport stream is a serial digital stream such as a 10 Gb/s Ethernet data link on an optical fiber or CAT6a cable. Alternatively, higher bit rates, such as 40 Gb/s or 100 Gb/s, as well as lower bit rate connections can be used for the transport. The transport stream can be provided to the remote unit **604** directly or through an extension unit.

An MB-DAS according to various aspects may or may not include SON capabilities. FIG. 7 depicts the MB-DAS having SON capabilities. The MB-DAS includes a master unit **602**, remote units **604a-d**, and an extension unit **714**. The master unit **602**, through the BTS cards **606a-n**, can communicate with a switch **708** that allows for network communication to the base station controller **712** over an IP backbone **710** via Abis or other interface, such as Iu or S1. In other aspects, the MB-DAS includes the switch **708**. In some aspects, the master unit **602** communicates with other components, such as a mobile telephone switching office, directly instead of through the base station controller **712**. In other aspects, the base station controller **712** is replaced with a radio network controller ("RNC"), for example in a 3G-UMTS network. In still other aspects, such as in implementations in a 4G LTE network, no BSC, RNC or equivalent is used. Instead, the BTS cards **606a-n**, which would be eNodeB cards, include RNC functionality and can communicate directly with a core network. It should be noted that in 3G-UMTS and 4G LTE, base stations with neighboring cells can have a direct interconnection that is Iur (for 3G UMTS) or X2 (for 4G LTE).

The master unit **602** can communicate with the remote units **604a-d** directly or through the extension unit **714**. The extension unit **714** can receive the transport stream and fan (i.e., distribute) it out to multiple remote units. The fan out may be performed without any change to the stream. In systems having multiple master units, the extension unit **714** may multiplex or digitally sum multiple zone streams from different transport streams.

A remote unit can receive the transport stream and perform bit & clock recovery, conversion back to a parallel data stream, de-framing, and de-multiplexing of the zone streams. Each zone stream can be provided to an RF back-end that can convert it from a digital IF signal to an analog RF signal for transmission via an antenna to wireless devices.

In the uplink direction, each of the remote units **604a-d** can receive the wireless signal from the mobile device and convert the RF signal into a digital sampled signal represented by either real or complex digital samples. The uplink digital signals can be in the same or similar format as the downlink zone streams, and can be further processed, filtered, digitally up- or down-converted, re-sampled, amplitude and phase conditioned, digitally summed, multiplexed with other digital signals, and framed and serialized for transport via a digital transport link. The link may connect to the extension unit **714** or to the master unit **602**. In the extension unit **714** or the master unit **602**, the serial data stream can be received, bit & clock recovered, converted back to a parallel data stream, de-framed, de-multiplexed, potentially processed, and potentially digitally summed with other digital signals from one or more different remote units **604a-d**. Digital signals that are digitally summed may be prevented from overlapping in the frequency spectrum for later separation. Signals can be prevented from overlapping by keeping them on different frequencies in their digital spectral distribution and positioning or through multiplexing them with other digital data streams.

The extension unit **714** or the master unit **602** can sum the uplink signals according to the zone distribution matrix and provide them for further processing, or can send provide them without adding. Before sending uplink digital signals back to the BTS cards **606a-n**, the zone stream may be digitally conditioned, filtered, converted to an individual digital (represented as complex or real samples) IF signal, and re-sampled. The sequence of the processes listed does not necessarily represent the sequence of their application to the digital signal.

Included in the master unit **602** is a SON controller **720**, which may be configured similar to SON controller **120** of FIG. 2, and capable of outputting commands for changing operation of the MB-DAS. Remote unit **604d** includes a SON analyzer **722** that may be configured similar to SON analyzer **122** of FIG. 3, and capable of analyzing signals and other information about the MB-DAS and providing analysis results to the SON controller **720**. In other aspects, each of the other remote units **604a-c**, the master unit **602**, and/or the extension unit **714** includes a SON analyzer. The SON controller **720** and SON analyzer **722** can provide SON capabilities, such as those described previously and additional SON capabilities.

For example, a remote unit can provide the downlink received signals from the RF environment to support the SON capabilities. Receiving downlink signals can include tuning the uplink frontend to downlink frequencies while the downlink back-end is deactivated. The SON analyzer **722** can perform the capture, filtering, frequency conversion, demodulation, decoding, frequency & timing offset deter-

mination, and data extraction. In order to allow the analysis to be performed on one remote unit, other remote units that would typically be summed together with the signal of the remote unit can be paused for that time period. Alternatively, the capture can be taken at the remote unit or at the input of the extension unit **714** and transported via a dedicated data transport link to the unit that includes the SON analyzer **722**. The SON controller **720** can coordinate the capture and analysis function, retrieve the results from the SON analyzer **722**, store it locally or remotely and distribute it to the various elements in the systems.

The SON controller **720** can schedule the monitoring process that can analyze the downlink spectrum of the relevant wireless network bands. It can schedule the deactivation of the downlink path of one or more of the remote units **604a-d**, the tuning of a remote unit receiver to downlink bands, the capture of samples, the transport to the SON analyzer **722**, the processing of the captures, and the presentation of the results.

Another example is synchronization in frequency and in timing. An internal clock or alternatively a clock offset to the internal clock dedicated for each operator can be maintained by the SON controller **720** and provided to the BTS cards **606a-n**. Each BTS card can generate wireless signals according to the in-synch with the macro-cell network. An absolute timing such as the absolute frame count of the operator can also be provided. For CDMA signals, a GPS accurate clock may be used.

Another example is macrocell-to-DAS-cell hand-in configuration. To allow hand-in from the macrocell network into the MB-DAS-cell network the channels used by the MB-DAS-cell can be in the neighbor list of the macro-cell network. This can be from a mobile device user entering the areas of the MB-DAS system with an active data session or a voice call. Having a proper hand-in can transfer the mobile device directly to the MB-DAS-cell and remove the traffic from the macrocell.

A localized broadcast control channel ("BCCH") generated within the master unit **602** in one of the BTS cards **606a-c** with limited signaling can be used to facilitate hand-ins. The BCCH can be on the channel list of the adjacent macro-cells for a hand-in. The localized BCCH can be a fully functional BCCH that offers traffic support, or it can be a reduced-feature-set BCCH that is used to allow the hand-in from the macrocell and hands the call or data session directly off to a designated fully functional MB-DAS-cell.

Another example is DAS-cell-to-macrocell hand-off configuration. If a user with a mobile device is leaving the MB-DAS coverage area and into the macrocell network coverage area, a proper hand-off can be used to allow uninterrupted data and/or voice communication when the transition is occurring. The macrocell channels can be added to the neighbor cell list in the SON controller **720**. The BTS card associated with the hand-off can be connected with the base station controller **712** and mobile switch to support the hand-off.

Another example is mapping of remote units with macrocell hand-off and hand-in support. One feature of an MB-DAS cell network may be to capture the possible traffic in the confined area and not have the macrocell network be burdened with high-density traffic from the area that the MB-DAS network attempts to cover. Mobile devices operated at the border of the MB-DAS network can hand-over to the macrocell network if it is expected that the mobile device will leave the MB-DAS network coverage area. Therefore, a hand-over can be supported in select areas and omitted in others. For example, remote units close to entrances to the

building or structure may be candidates to support hand-in or hand-off to the macrocell network. Entrances that are considered emergency exits may be supported as well. Hand-over support in areas with a high number of transitions between the MB-DAS and the macrocell network can be provided. Hand-over can be suppressed in other areas, such as windows, where the macrocell network signals may be strong. The suppression can be achieved by excluding the macrocell channels in the neighbor cell lists of the signals radiated in the remote units.

Each of the BTS cards **606a-n** may be a plug-in card capable of being plugged into a donor card slot using a similar type of interface to a backplane as a donor card. Signals from the BTS cards **606a-n** can be distributed to remote units digitally. BTS cards **606a-n** can be a hardware implementation or a software implementation using a FPGA or a DSP.

BTS cards **606a-n** can be various types and include various configurations. For example, a BTS card can be a femto, pico, nano, or micro BTS cards. Femto BTS cards can indicate a low capacity. A pico BTS card can indicate a low-to-medium capacity. A nano BTS card can indicate a medium-to-high capacity. A micro BTS cards can indicate a full capacity. A BTS card can be a plug-in BTS resource to plug into the donor card slot within master unit **602** or extension unit **714**. A BTS card can be an internal or an external card. A BTS card can combine several femto, pico, nano, and/or micro BTS signals into one stream to be sent to a specific number of remote antenna units. BTS cards can be combined with donor cards that have either an analog RF interface or a digital standardized interface (e.g., CPRI, OBSAI, and ORI) or both. A BTS card can have an IP backbone link that may use Ethernet LAN or WAN. A BTS card can use knowledge of the location of the MB-DAS. The location may be received from a location server, such as a server including a centralized GPS receiver, or the location can be determined by trilateration of the detected macrocell that is proximate to the MB-DAS. A BTS card can configure cells for the MB-DAS by subdivision or combining BTS cells on different frequencies to provide increased capacity, depending on available free frequencies in the macrocell environment.

In some aspects, BTS cards **606a-n** can have an analog IF interface to an analog DAS that distributes signals in analog form instead of digital. Instead of processing the digital signals, the analog IF signals from the BTS cards **606a-n** can be processed (e.g., frequency converted through mixing, filtered, amplified or attenuated, combined with other signals or provided through a splitter, transported via an analog link such as coax cable or analog optical RF signal via optical fiber, amplified and radiated via passive or active antenna units.

FIG. **8** depicts an example of part of the master unit **602** in communication with the switch **708**. The master unit **602** includes a multiplexer/de-multiplexer **850**, a backplane **852**, a summer **854**, a reference clock distribution component **856**, and a system controller **858**. Also depicted are BTS cards **606a-n**, certain details according to some aspects are shown.

For example, each of the BTS cards **606a-n** can include a BTS processor device such as BTS chipset **860**, resample devices **862**, **864**, frequency translation components **866**, **868**, and digital gain components **870**, **872**. In a downlink direction (i.e., toward a wireless device), each of the BTS chipsets **860a-n** can receive data from the IP switch **708** as internet protocol data, or data in another network protocol. The BTS chipsets **860a-n** can decode the data, convert the

data to an appropriate wireless communication protocol, digitize the data, and modulate the digitized data. The modulated digital data can be resampled by resampler devices 862a-n to, for example, increase the sample rate of the modulated digital data. In other aspects, resampler devices 862a-n are not used, or the resampler devices 862a-n resample at the same rate by which the digitized data was generated. The modulated digital data can be provided to frequency translation components 866a-n that, using a local oscillator 874a-n (a numerically controlled oscillator (NCO), for example, as depicted in FIG. 8), can move the modulated digital data in frequency, up or down, such that the modulated digital data is centered around a certain frequency. Moving the modulated digital data to a different frequency can facilitate summing or otherwise combining the modulated digital data with modulated digital data from other BTS cards.

Gain may be applied to the modulated digital data by digital gain components 870a-n. Digital gain may be used to level each of the data signals prior to summing. The digital interface may use all the bits available to represent the digital signal. For example, if the bit width of the signal is sixteen bits, the signal level can traverse the sixteen bits to represent the signal amplitude. The signals from a BTS card can be scaled such that when the signals are combined with signals from other BTS cards, the signals will not clip the output of the summer. For example, if two signals are combined, the BTS signals may be reduced by $\frac{1}{2}$ prior to summing. If four BTS cards are summed, the signal can be reduced by $\frac{1}{4}$ prior to summing. The depth of the bit width of the output signal can be increased to avoid the loss of dynamic range. For example, the bit width may be increased by at least one bit for summing two signals.

Another use of the digital gain may be to control the level of the BTS BCCH (or pilot channel, beacon, or equivalent) in the downlink direction to control handover areas between two MB-DAS cells, each associated with one BTS card. The wireless device can measure BCCH (or equivalent) signal level to determine which BTS to which to lock. The signal level of the BCCH can be controlled to move the handover region away from high traffic areas when there is overlapping BTS coverage, such as in building entrances, lobbies, and elevators. The signal level of the BCCH can be controlled with the digital gain in the downlink direction to control which BTS card a wireless device locks to and to prevent handovers in high traffic areas.

The uplink and downlink gain can be adjusted to be equal so any gain adjustment performed to the downlink signal of a BTS card can be performed to the uplink path with the same amount of gain. In other embodiments, no gain is applied.

The modulated digital data from a BTS card can be provided directly to the multiplexer/de-multiplexer 850, provided to a summer 854 for digitally summing the modulated digital data with modulated digital data from one or more other BTS cards prior to being provided to the multiplexer/de-multiplexer 850, or both. The multiplexer/de-multiplexer 850 can multiplex the data into a serialized digital data stream that is provided to a backplane for digital transport to one or more remote units. The remote units, such as remote units 604a-d of FIG. 7, can convert the modulated digitized data to analog RF, amplify the analog RF, and cause the analog RF to be radiated by one or more antenna elements for receipt by wireless devices in a coverage area.

In the uplink direction (i.e., from the wireless devices), a remote unit can receive analog RF from a wireless device, convert the analog RF to digitized upstream data, and cause

the digitized upstream data to be transported to the master unit 602 by multiplexing the data with other data to a serial data stream. The backplane 852 of the master unit 602 can receive the digitized upstream data and provide it to the multiplexer/de-multiplexer 850. The multiplexer/de-multiplexer 850 can de-multiplex the data and provide it to a proper BTS card. Digital gain components 872a-n can apply a gain to the digitized upstream data. Frequency translation components 868a-n, using a local oscillator 876a-n, can change the center frequency (up or down, but typically down) to a different frequency for further processing. The digitized upstream data may be resampled by resampler devices 864a-n to reduce the sample rate, and can be provided to the BTS chipsets 860a-n. The BTS chipsets 860a-n can demodulate the digitized upstream data, convert it to analog RF, and encode the analog RF into an Internet Protocol. The encoded data can be provided to the IP switch 708 for transport through an IP backbone to a base station controller.

The foregoing description of the aspects, including illustrated examples, of the invention has been presented only for the purpose of illustration and description and is not intended to be exhaustive or to limit the invention to the precise forms disclosed. Numerous modifications, adaptations, and uses thereof will be apparent to those skilled in the art without departing from the scope of this invention.

What is claimed is:

1. A telecommunications distribution system, comprising:
 - a plurality of remote units operable for providing wireless network coverage in an area; and
 - a master unit for communicating digitized signals with the plurality of remote units, the master unit configured to:
 - receive wireless communication information in internet protocol data from a network;
 - decode the internet protocol data into decoded internet protocol data;
 - convert the wireless communication information to a wireless communication protocol;
 - digitize the wireless communication information converted to the wireless communication protocol to generate digitized wireless communication information;
 - modulate the digitized wireless communication information to generate digital signals comprising at least one of complex digital samples and real digital samples for distribution to the plurality of remote units, the digital signals including the wireless communication information;
 - demodulate uplink digital signals to generate demodulated uplink digital signals;
 - convert the demodulated uplink digital signals to uplink analog RF signals; and
 - encode the uplink analog RF signals into uplink internet protocol data;

wherein each of the plurality of remote units is configured to:

- convert the digital signals to analog RF signals;
- cause the analog RF signals to be radiated at an antenna element;
- convert uplink analog RF signals received from a wireless device into uplink digital signals; and
- multiplex the uplink digital signals for transport to the master unit; and

wherein the master unit further comprises:

- a first resample device configured to resample the [modulated digitized data] digital signals;

15

a second resample device configured to resample *the* uplink digital signals from at least one of the *plurality of* remote units;

a first digital gain device configured to apply a downlink gain to the [modulated digitized data] *digital signals*; and

a second digital gain device configured to apply an uplink gain to the uplink digital signals.

2. The telecommunications distribution system of claim 1, wherein the master unit further comprises:

a frequency translation device configured to frequency shift the [modulated digitized data] *digital signals*.

3. The telecommunications distribution system of claim 1, wherein the master unit further comprises:

a frequency translation device configured to frequency shift *the* uplink digital signals that are de-multiplexed by the master unit.

4. The telecommunications distribution system of claim 1, wherein the master unit is further configured to:

instruct a remote unit of the telecommunications distribution system to receive signals in a downlink band; and

send a command to the remote unit regarding transmission of downlink signals in the downlink band based on an analysis of [the] received signals by a self-optimized network analyzer in a unit of the telecommunications distribution system.

5. The telecommunications distribution system of claim 1, wherein the wireless communication information includes call information.

6. The telecommunications distribution system of claim 1, wherein the telecommunications distribution system is a distributed antenna system.

7. A method comprising:

receiving wireless communication information in internet protocol data from a network at a master unit of a telecommunications distribution system;

decoding the internet protocol data at the master unit *into decoded internet protocol data*;

converting the wireless communication information to a wireless communication protocol at the master unit;

digitizing the wireless communication information converted to the wireless communication protocol *to generate digitized wireless communication information* at the master unit;

modulating the digitized wireless communication information to generate digital signals comprising at least one of complex digital samples and real digital samples *from the decoded internet protocol data* at the master unit for distribution to a plurality of remote units of the telecommunications distribution system, [the digital signals comprising at least one of complex digital samples and real digital samples from the decoded internet protocol data,] the digital signals including the wireless communication information;

demodulating uplink digital signals *to generate demodulated uplink digital signals* at the master unit;

converting the demodulated uplink digital signals to uplink analog RF signals at the master unit;

encoding the uplink analog RF signals into uplink internet protocol data at the master unit;

converting the digital signals to analog RF signals at each of the *plurality of* remote units;

causing the analog RF signals to be radiated at an antenna element at each of the *plurality of* remote units;

16

converting analog RF signals received from a wireless device into uplink digital signals at each of the *plurality of* remote units;

multiplexing the uplink digital signals for transport to the master unit at each of the *plurality of* remote units;

resampling the [modulated digitized data] *digital signals* at the master unit;

resampling uplink digital signals from at least one of the *plurality of* remote units at the master unit;

applying a downlink gain to the [modulated digitized data] *digital signals* at the master unit; and

applying an uplink gain to the uplink digital signals.

8. The method of claim 7, further comprising:

frequency shifting the [modulated digitized data] *digital signals* at the master unit.

9. The method of claim 7, further comprising:

frequency shifting uplink digital signals that are de-multiplexed by the master unit.

10. The method of claim 7, further comprising:

instructing a remote unit of the telecommunications distribution system to receive signals in a downlink band; and

send a command to the remote unit regarding transmission of downlink signals in the downlink band based on an analysis of [the] received signals by a self-optimized network analyzer in a unit of the telecommunications distribution system.

11. The method of claim 7, wherein the wireless communication information includes call information.

12. The method of claim 7, wherein the telecommunications distribution system is a distributed antenna system.

13. A master unit for use in a telecommunications distribution system having a plurality of remote units operable for providing wireless network coverage in an area, the master unit comprising:

reception circuitry configured to receive wireless communication information in internet protocol data from a network;

circuitry configured to:

decode the internet protocol data *into decoded internet protocol data*;

convert the wireless communication information to a wireless communication protocol;

digitize the wireless communication information converted to the wireless communication protocol *to generate digitized wireless communication information*;

modulate the digitized wireless communication information to generate digital signals comprising at least one of [the] complex digital samples and real digital samples from the decoded internet protocol data, the digital signals including the wireless communication information;

demodulate uplink digital signals *to generate demodulated uplink digital signals*;

convert the demodulated uplink digital signals to uplink analog RF signals; and

encode the *uplink* analog RF signals into uplink internet protocol data; [and]

communication circuitry configured to communicate the digital signals to the plurality of remote units;

wherein each of the *plurality of* remote units is configured to convert the digital signals to analog RF signals, cause the analog RF signals to be radiated at an antenna element, convert uplink analog RF signals received

17

from a wireless device into uplink digital signals, and multiplex the uplink digital signals for transport to the master unit; *and*

wherein the master unit further comprises:

- a first resample device configured to resample the *5* [modulated digitized data] digital signals;
- a second resample device configured to resample uplink digital signals from at least one of the *plurality of remote units*;
- a first digital gain device configured to apply a downlink gain to the [modulated digitized data] digital signals; *and*
- a second digital gain device configured to apply an uplink gain to the uplink digital signals.

14. The master unit of claim 13, wherein the wireless communication information includes call information. *15*

15. The master unit of claim 13, wherein the telecommunications distribution system is a distributed antenna system.

16. A telecommunications distribution system, comprising: *20*

- a plurality of remote units operable for providing wireless network coverage in an area; *and*
- a master unit for communicating digitized signals with the plurality of remote units, the master unit configured to: receive wireless communication information in internet protocol data from a network; *25*
- decode the internet protocol data into decoded internet protocol data;
- convert the wireless communication information to a wireless communication protocol; *30*
- digitize the wireless communication information converted to the wireless communication protocol to generate digitized wireless communication information;
- modulate the digitized wireless communication information to generate digital signals comprising at least one of complex digital samples and real digital samples for distribution to the plurality of remote units, the digital signals including the wireless communication information; *35*
- demodulate uplink digital signals to generate demodulated uplink digital signals; *and*
- encode the demodulated uplink digital signals into uplink internet protocol data; *40*

wherein each of the plurality of remote units is configured to: *45*

- convert the digital signals to analog RF signals;
- cause the analog RF signals to be radiated at an antenna element;
- convert uplink analog RF signals received from a wireless device into uplink digital signals; *and*
- multiplex the uplink digital signals for transport to the master unit; *and*

wherein the master unit further comprises:

- a first resample device configured to resample the digital signals; *55*
- a second resample device configured to resample the uplink digital signals from at least one of the plurality of remote units;
- a first digital gain device configured to apply a downlink gain to the digital signals; *and*
- a second digital gain device configured to apply an uplink gain to the uplink digital signals. *60*

17. The telecommunications distribution system of claim 16, wherein the master unit further comprises: *65*

- a frequency translation device configured to frequency shift the digital signals.

18

18. The telecommunications distribution system of claim 16, wherein the master unit further comprises:

- a frequency translation device configured to frequency shift the uplink digital signals that are de-multiplexed by the master unit.

19. The telecommunications distribution system of claim 16, wherein the master unit is further configured to:

- instruct a remote unit of the telecommunications distribution system to receive signals in a downlink band; *and*
- send a command to the remote unit regarding transmission of downlink signals in the downlink band based on an analysis of received signals by a self-optimized network analyzer in a unit of the telecommunications distribution system.

20. The telecommunications distribution system of claim 16, wherein the wireless communication information includes call information.

21. The telecommunications distribution system of claim 16, wherein the telecommunications distribution system is a distributed antenna system.

22. A method comprising:

- receiving wireless communication information in internet protocol data from a network at a master unit of a telecommunications distribution system;
- decoding the internet protocol data at the master unit into decoded internet protocol data;
- converting the wireless communication information to a wireless communication protocol at the master unit;
- digitizing the wireless communication information converted to the wireless communication protocol to generate digitized wireless communication information at the master unit;
- modulating the digitized wireless communication information to generate digital signals comprising at least one of complex digital samples and real digital samples from the decoded internet protocol data at the master unit for distribution to a plurality of remote units of the telecommunications distribution system, the digital signals including the wireless communication information;
- demodulating uplink digital signals to generate demodulated uplink digital signals at the master unit;
- encoding the demodulated uplink digital signals into uplink internet protocol data at the master unit;
- converting the digital signals to analog RF signals at each of the plurality of remote units;
- causing the analog RF signals to be radiated at an antenna element at each of the plurality of remote units;
- converting analog RF signals received from a wireless device into uplink digital signals at each of the plurality of remote units;
- multiplexing the uplink digital signals for transport to the master unit at each of the plurality of remote units;
- resampling the digital signals at the master unit;
- resampling uplink digital signals from at least one of the plurality of remote units at the master unit;
- applying a downlink gain to the digital signals at the master unit; *and*
- applying an uplink gain to the uplink digital signals. *85*

23. The method of claim 22, further comprising:

- frequency shifting the digital signals at the master unit.

24. The method of claim 22, further comprising:

- frequency shifting uplink digital signals that are de-multiplexed by the master unit.

19

25. The method of claim 22, further comprising:
 instructing a remote unit of the telecommunications distribution system to receive signals in a downlink band;
 and

send a command to the remote unit regarding transmission of downlink signals in the downlink band based on an analysis of received signals by a self-optimized network analyzer in a unit of the telecommunications distribution system.

26. The method of claim 22, wherein the wireless communication information includes call information.

27. The method of claim 22, wherein the telecommunications distribution system is a distributed antenna system.

28. A master unit for use in a telecommunications distribution system having a plurality of remote units operable for providing wireless network coverage in an area, the master unit comprising:

reception circuitry configured to receive wireless communication information in internet protocol data from a network;

circuitry configured to:

decode the internet protocol data into decoded internet protocol data;

convert the wireless communication information to a wireless communication protocol;

digitize the wireless communication information converted to the wireless communication protocol to generate digitized wireless communication information;

modulate the digitized wireless communication information to generate digital signals comprising at least one of complex digital samples and real digital

20

samples from the decoded internet protocol data, the digital signals including the wireless communication information;

demodulate uplink digital signals to generate demodulated uplink digital signals; and

encode the demodulated uplink digital signals into uplink internet protocol data;

communication circuitry configured to communicate the digital signals to the plurality of remote units;

wherein each of the plurality of remote units is configured to convert the digital signals to analog RF signals, cause the analog RF signals to be radiated at an antenna element, convert uplink analog RF signals received from a wireless device into uplink digital signals, and multiplex the uplink digital signals for transport to the master unit; and

wherein the master unit further comprises:

a first resample device configured to resample the digital signals;

a second resample device configured to resample uplink digital signals from at least one of the plurality of remote units;

a first digital gain device configured to apply a downlink gain to the digital signals; and

a second digital gain device configured to apply an uplink gain to the uplink digital signals.

29. The master unit of claim 28, wherein the wireless communication information includes call information.

30. The master unit of claim 28, wherein the telecommunications distribution system is a distributed antenna system.

* * * * *