



US00RE49734E

(19) **United States**
(12) **Reissued Patent**
Graykowski et al.

(10) **Patent Number:** **US RE49,734 E**
(45) **Date of Reissued Patent:** **Nov. 28, 2023**

(54) **PRY BAR**

(57) **CLAIM**

(71) Applicant: **MILWAUKEE ELECTRIC TOOL CORPORATION**, Brookfield, WI (US)

We claim the ornamental design for a pry bar, as shown and described.

(72) Inventors: **Anthony S. Graykowski**, Belgium, WI (US); **Joseph M. DeBaker**, Greenfield, WI (US)

DESCRIPTION

(73) Assignee: **Milwaukee Electric Tool Corporation**, Brookfield, WI (US)

This document is a reissue of U.S. Design Pat. No. D. 821,843, which granted on Jul. 3, 2018, from U.S. Design patent application Ser. No. 29/590,661, filed on Jan. 12, 2017, the entire contents of which are hereby incorporated by reference herein.

(21) Appl. No.: **29/662,005**

FIG. 1 is a perspective view of a pry bar according to an embodiment of the invention.

(22) Filed: **Aug. 31, 2018**

FIG. 2 is a first side view of the pry bar shown in FIG. 1. FIG. 3 is a second side view of the pry bar shown in FIG. 1.

Related U.S. Patent Documents

Reissue of:

(64) Patent No.: **Des. 821,843**
Issued: **Jul. 3, 2018**
Appl. No.: **29/590,661**
Filed: **Jan. 12, 2017**

FIG. 4 is a first end view of the pry bar shown in FIG. 1. FIG. 5 is a second end view of the pry bar shown in FIG. 1. FIG. 6 is a third side view of the pry bar shown in FIG. 1. FIG. 7 is a fourth side view of the pry bar shown in FIG. 1. FIG. 8 is a perspective view of a pry bar according to another embodiment of the invention.

(51) **LOC (14) Cl.** **08-05**

(52) **U.S. Cl.**
USPC **D8/89**

(58) **Field of Classification Search**
USPC D8/14, 88, 89, 105, 82, 83
(Continued)

FIG. 9 is a first side view of the pry bar shown in FIG. 8. FIG. 10 is a second side view of the pry bar shown in FIG. 8. FIG. 11 is a first end view of the pry bar shown in FIG. 8. FIG. 12 is a second end view of the pry bar shown in FIG. 8.

(56) **References Cited**

U.S. PATENT DOCUMENTS

2,026,581 A 1/1936 Lane
D197,205 S 12/1963 Estwing
(Continued)

FIG. 13 is a third side view of the pry bar shown in FIG. 8; and, FIG. 14 is a fourth side view of the pry bar shown in FIG. 8.

The broken lines depict portions of the pry bar in which the design is embodied that are not considered part of the claimed design. Any broken lines having unequal line segments indicate the boundary of the claimed design.

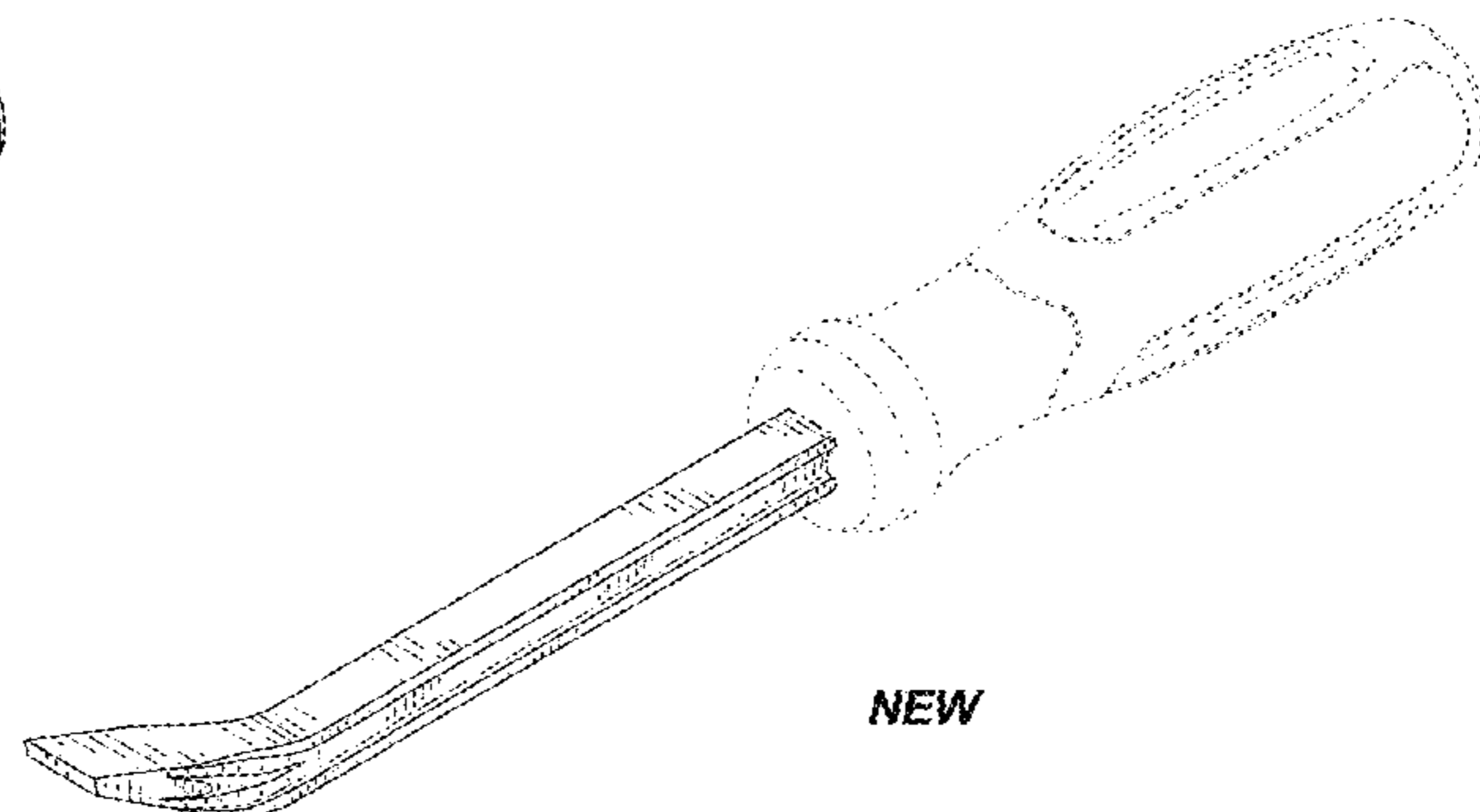
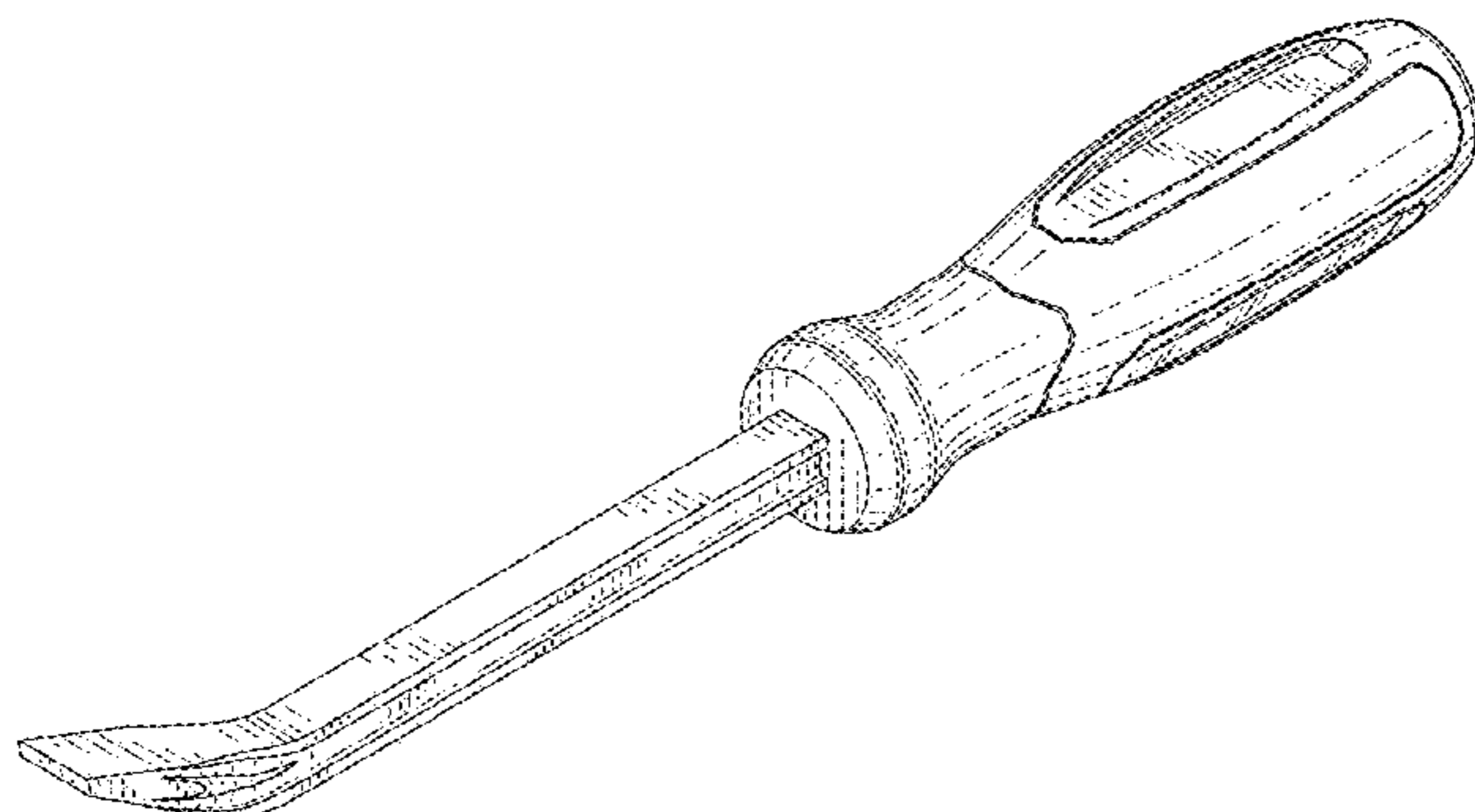
FOREIGN PATENT DOCUMENTS

FR 1286757 3/1962
FR 2220352 10/1974

1 Claim, 8 Drawing Sheets

Primary Examiner — Philip S Hyder
(74) Attorney, Agent, or Firm — Michael Best & Friedrich LLP

Matter enclosed in heavy brackets [] appears in the original patent but forms no part of this reissue; matter printed in italics indicates the additions made by reissue.



US RE49,734 E

Page 2

(58) **Field of Classification Search**
CPC .. B25G 1/105; B25G 1/00; B25G 1/10; Y10T
16/476; B25B 33/00; B25C 11/00
See application file for complete search history.

(56) **References Cited**

U.S. PATENT DOCUMENTS

D202,687 S 10/1965 Estwing
3,772,994 A 11/1973 Juarbe
4,287,623 A 9/1981 Tarran
D344,665 S * 3/1994 Baker D8/88
D355,103 S * 2/1995 Bartlett D8/14
5,495,651 A * 3/1996 Tsuha B25B 27/02
254/25
D397,015 S * 8/1998 Hall D8/14
6,308,934 B1 10/2001 Gallo
6,471,186 B1 * 10/2002 Lawless B25C 11/00
254/25
D465,389 S * 11/2002 Norton D8/14
6,513,788 B1 2/2003 Ashe
6,598,857 B1 7/2003 Hernandez et al.
6,663,082 B1 * 12/2003 Ploeger B25C 11/00
254/129

6,752,380 B1 6/2004 Taylor et al.
D493,086 S 7/2004 Taylor et al.
6,772,994 B1 * 8/2004 Lawless B25B 33/00
254/25
6,959,917 B2 11/2005 Hernandez et al.
7,048,255 B2 * 5/2006 Buch B25C 11/00
254/25
D542,620 S * 5/2007 Thompson D8/107
D553,823 S * 10/2007 Liu D34/23
7,293,331 B2 11/2007 Lawless
7,523,525 B2 * 4/2009 Lawless B25B 33/00
16/430
D593,835 S * 6/2009 Good D8/89
7,574,776 B2 8/2009 Lawless
D642,887 S * 8/2011 Good D8/83
8,032,991 B2 * 10/2011 Lawless B25G 1/105
16/430
D671,813 S * 12/2012 Lin D8/83
10,071,471 B2 * 9/2018 Lawless B25B 15/02
10,195,733 B2 * 2/2019 Jannitto, Jr. B25G 1/005
2008/0072713 A1 3/2008 Chen
2008/0072714 A1 3/2008 Chen
2011/0315326 A1 12/2011 Jouve et al.

* cited by examiner

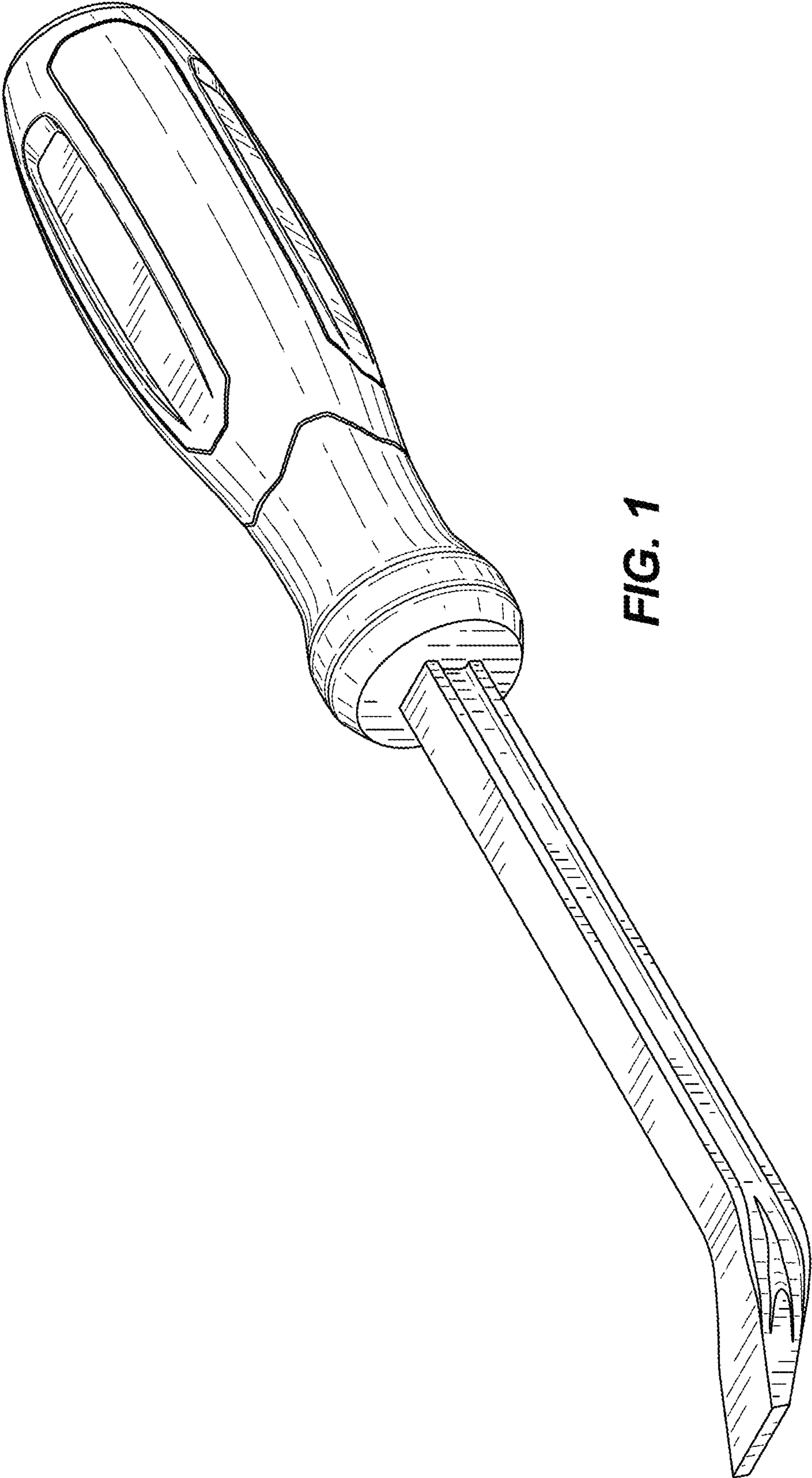


FIG. 1

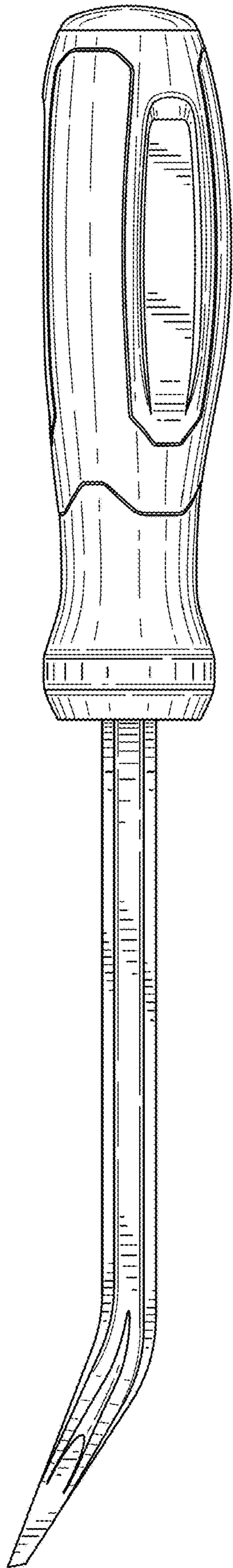


FIG. 2

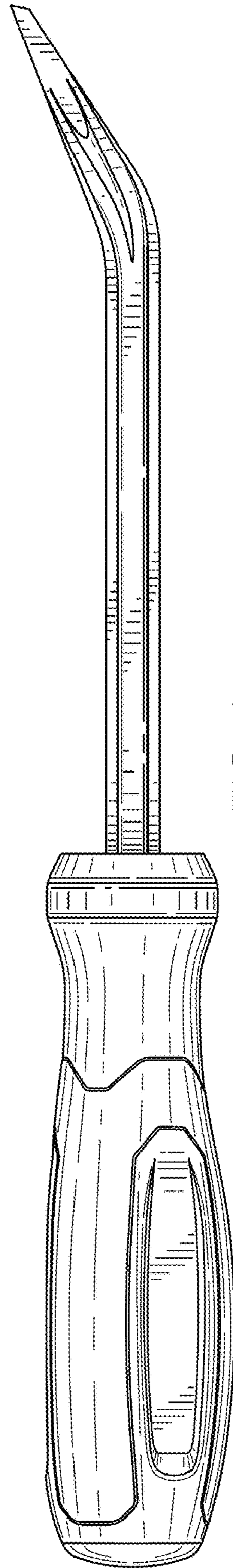


FIG. 3

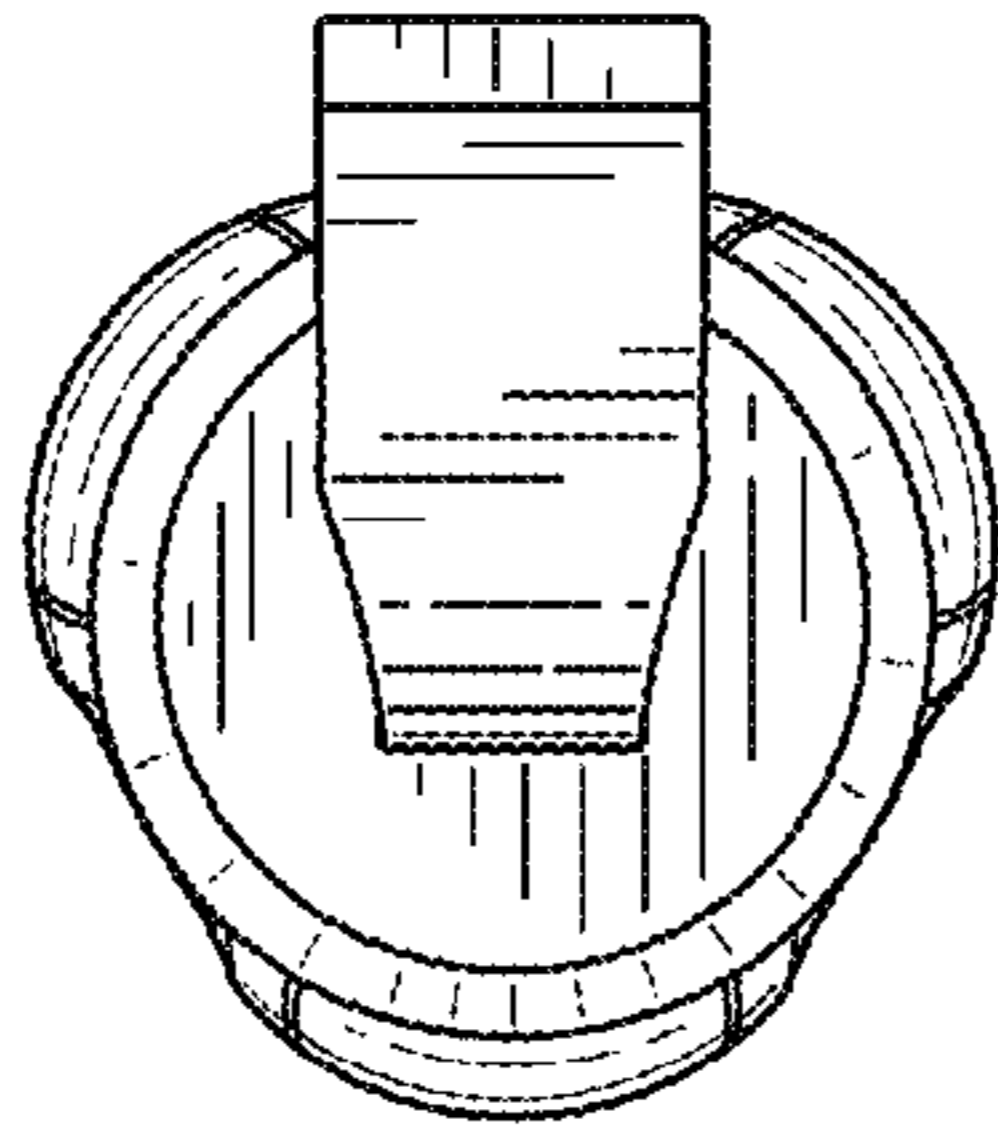


FIG. 4

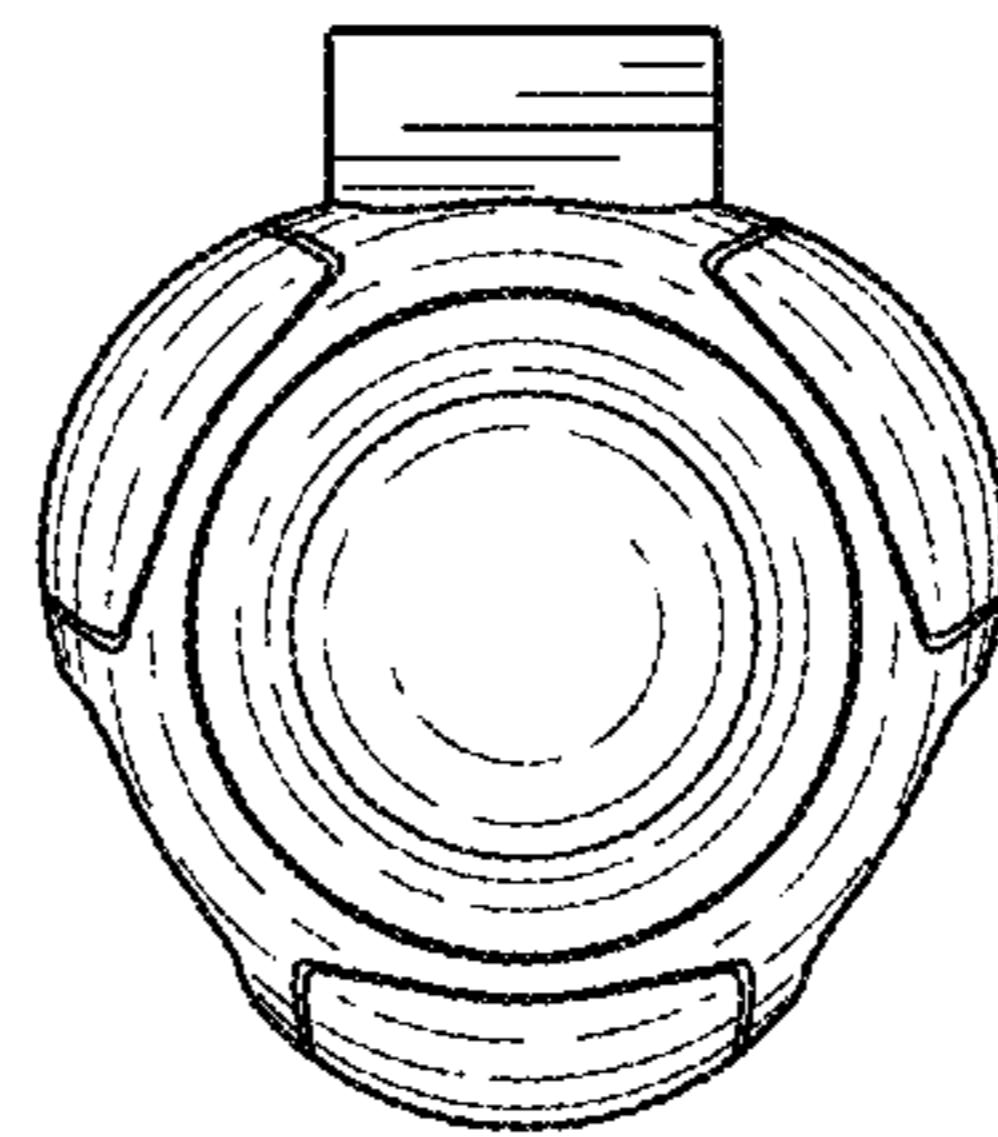


FIG. 5

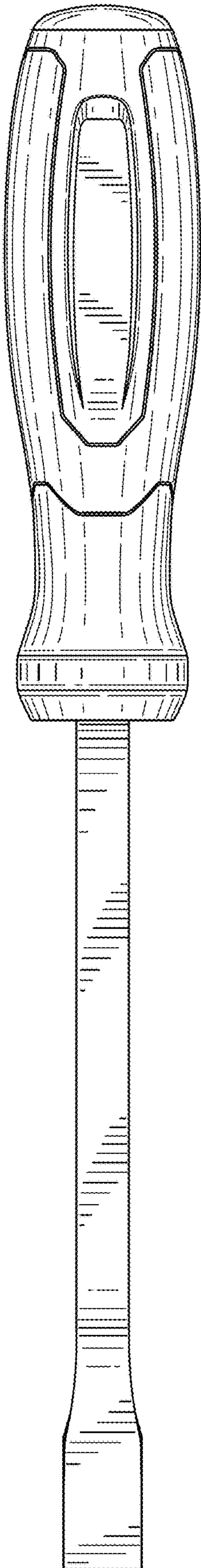


FIG. 6

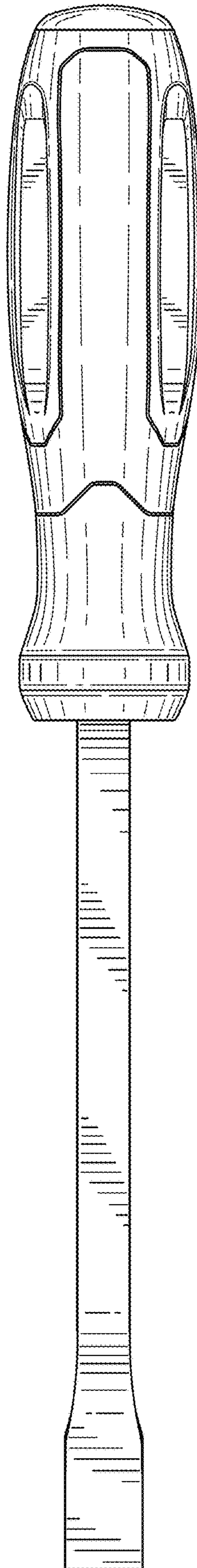


FIG. 7

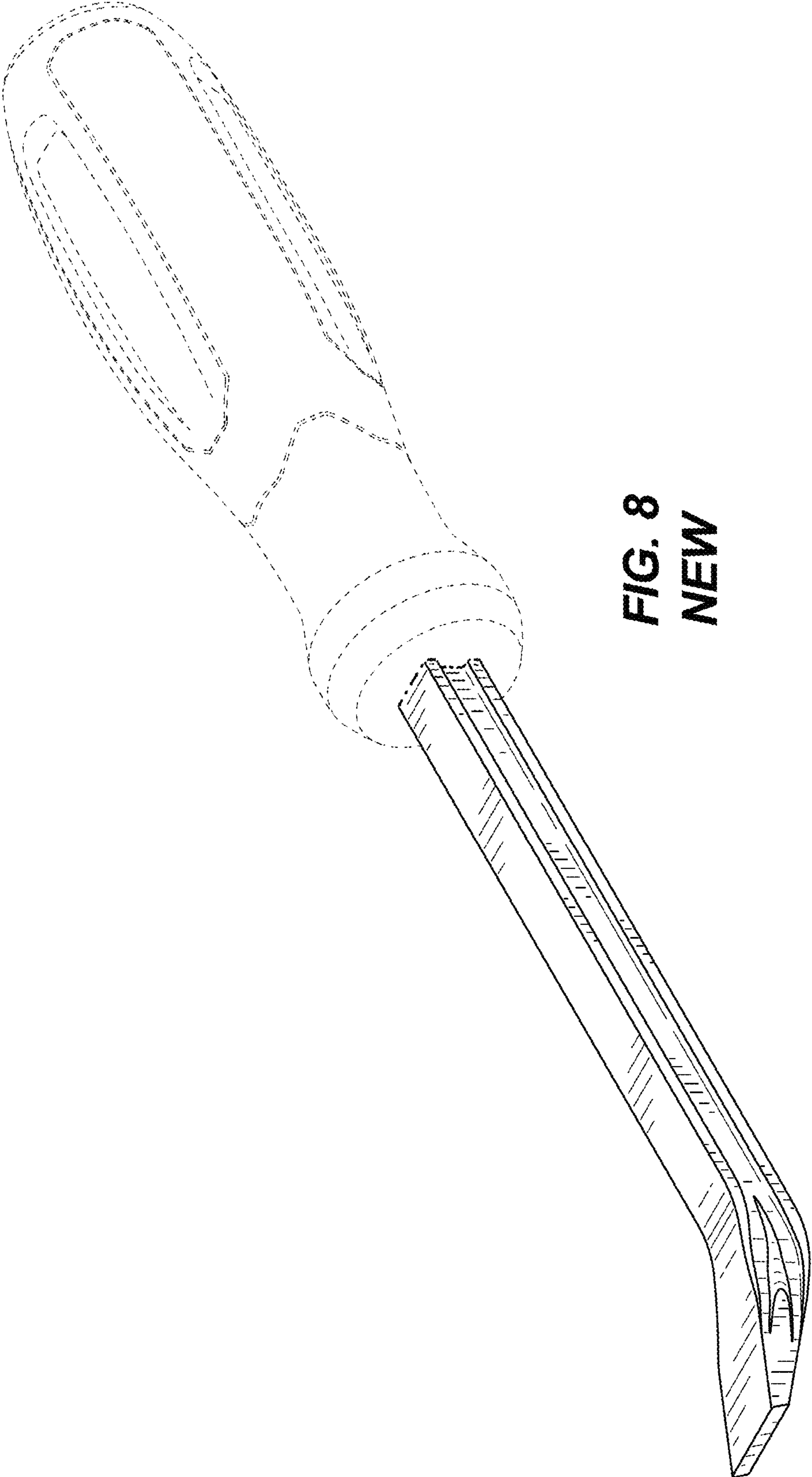


FIG. 8
NEW

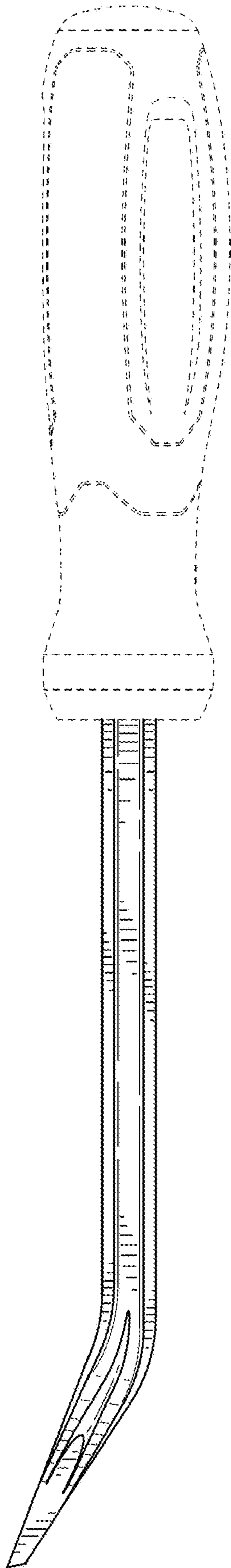


FIG. 9
NEW

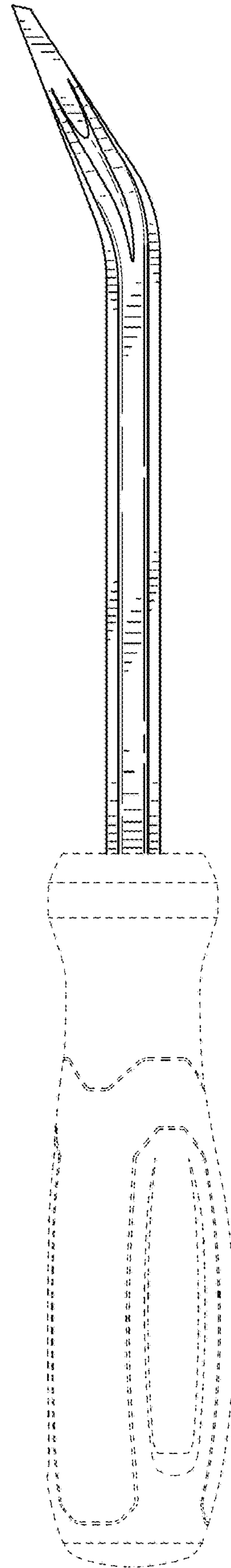


FIG. 10
NEW

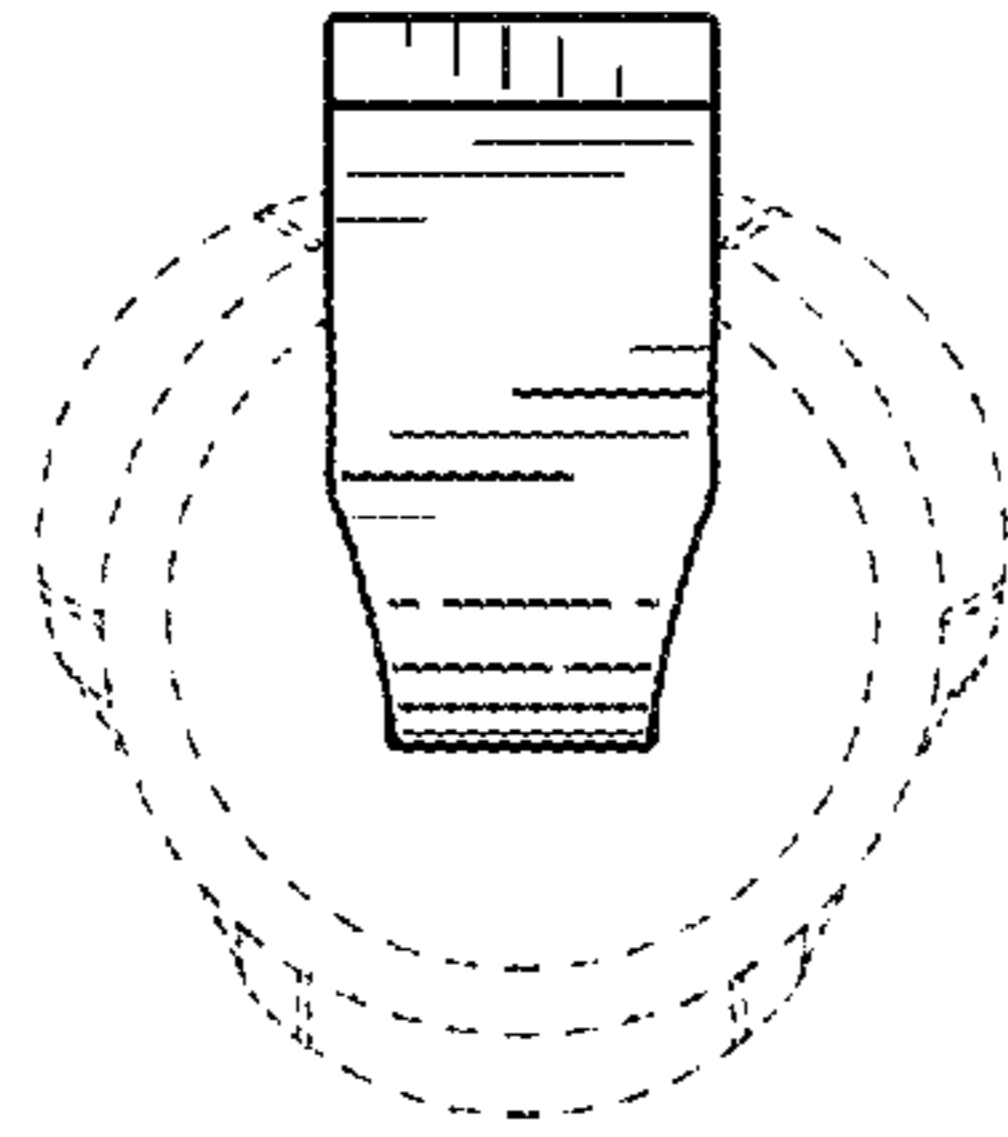


FIG. 11
NEW

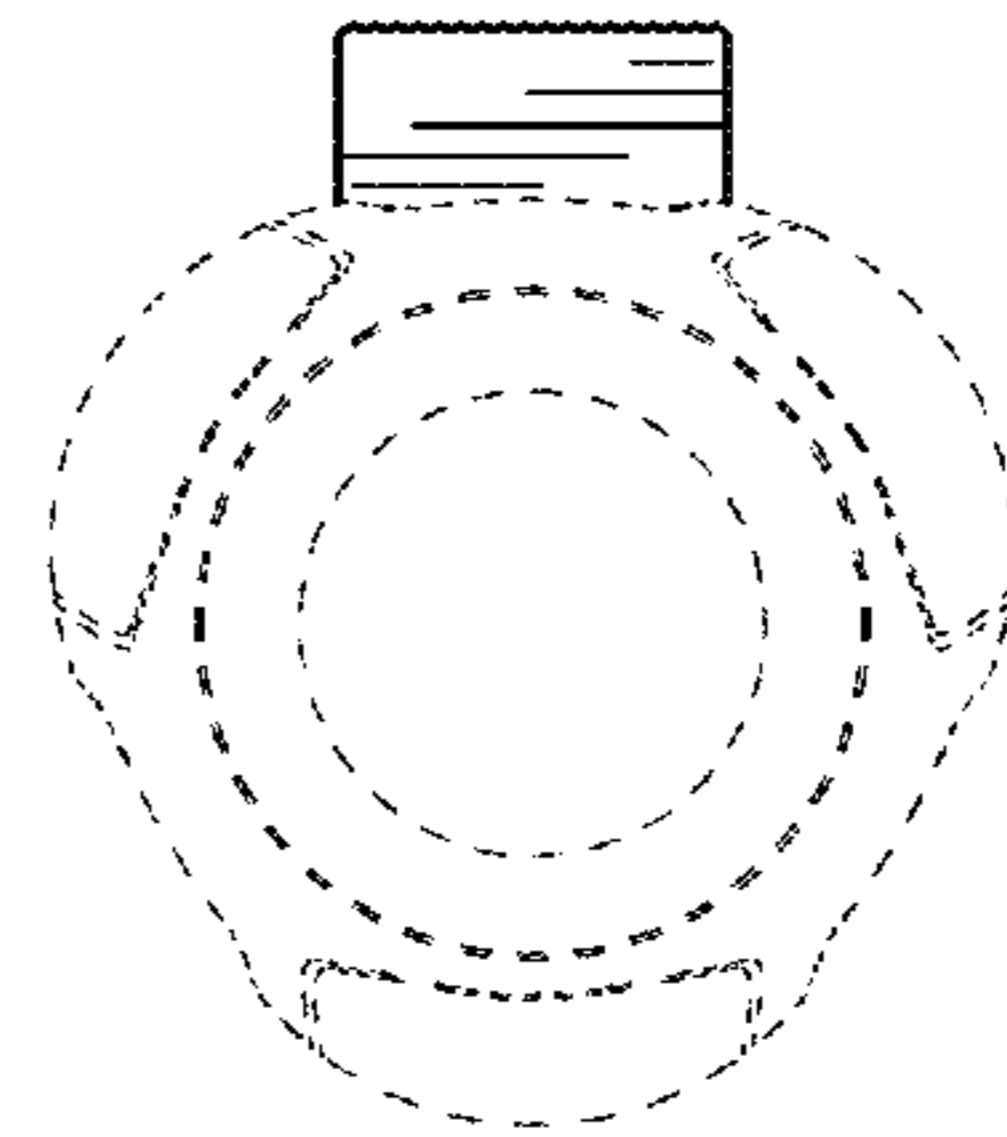


FIG. 12
NEW

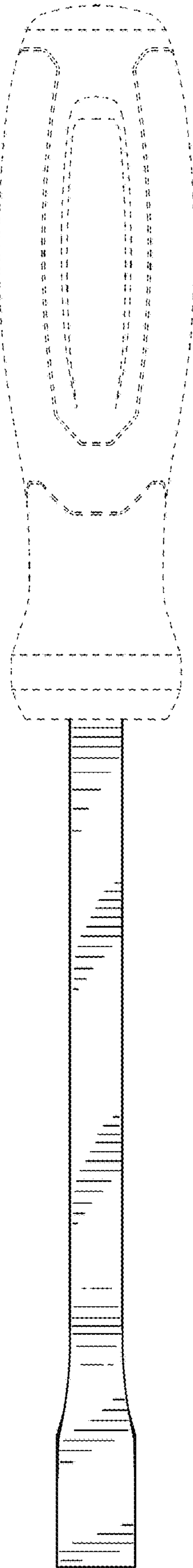


FIG. 13
NEW

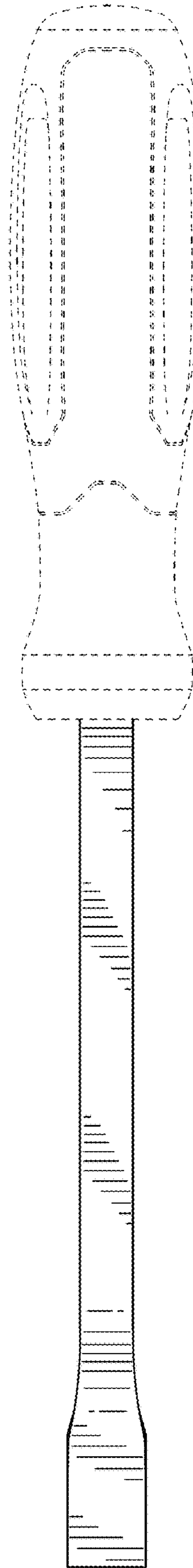


FIG. 14
NEW