

US00RE49690E

(19) **United States**
(12) **Reissued Patent**
Nakamura

(10) **Patent Number:** **US RE49,690 E**
(45) **Date of Reissued Patent:** **Oct. 10, 2023**

(54) **TOUCH SCREEN WITH ELECTRODES INCLUDING LINEAR AND BRANCHED PORTIONS**
(71) Applicant: **Trivale Technologies**, Santa Clara, CA (US)
(72) Inventor: **Tatsuya Nakamura**, Tokyo (JP)
(73) Assignee: **Trivale Technologies**, Santa Clara, CA (US)

(21) Appl. No.: **17/411,657**
(22) Filed: **Aug. 25, 2021**

Related U.S. Patent Documents

Reissue of:
(64) Patent No.: **10,394,403**
Issued: **Aug. 27, 2019**
Appl. No.: **15/790,325**
Filed: **Oct. 23, 2017**

(30) **Foreign Application Priority Data**
Oct. 31, 2016 (JP) 2016-212553

(51) **Int. Cl.**
G06F 3/044 (2006.01)
G06F 3/041 (2006.01)
G02F 1/1333 (2006.01)
(52) **U.S. Cl.**
CPC **G06F 3/0446** (2019.05); **G06F 3/0445** (2019.05); **G06F 3/0448** (2019.05); **G06F 3/04164** (2019.05); **G02F 1/13338** (2013.01); **G02F 2202/28** (2013.01); **G06F 2203/04112** (2013.01)

(58) **Field of Classification Search**
CPC .. **G06F 3/0446**; **G06F 3/04164**; **G06F 3/0445**; **G06F 3/0448**; **G06F 2203/04112**; **G02F 1/13338**; **G02F 2202/28**
See application file for complete search history.

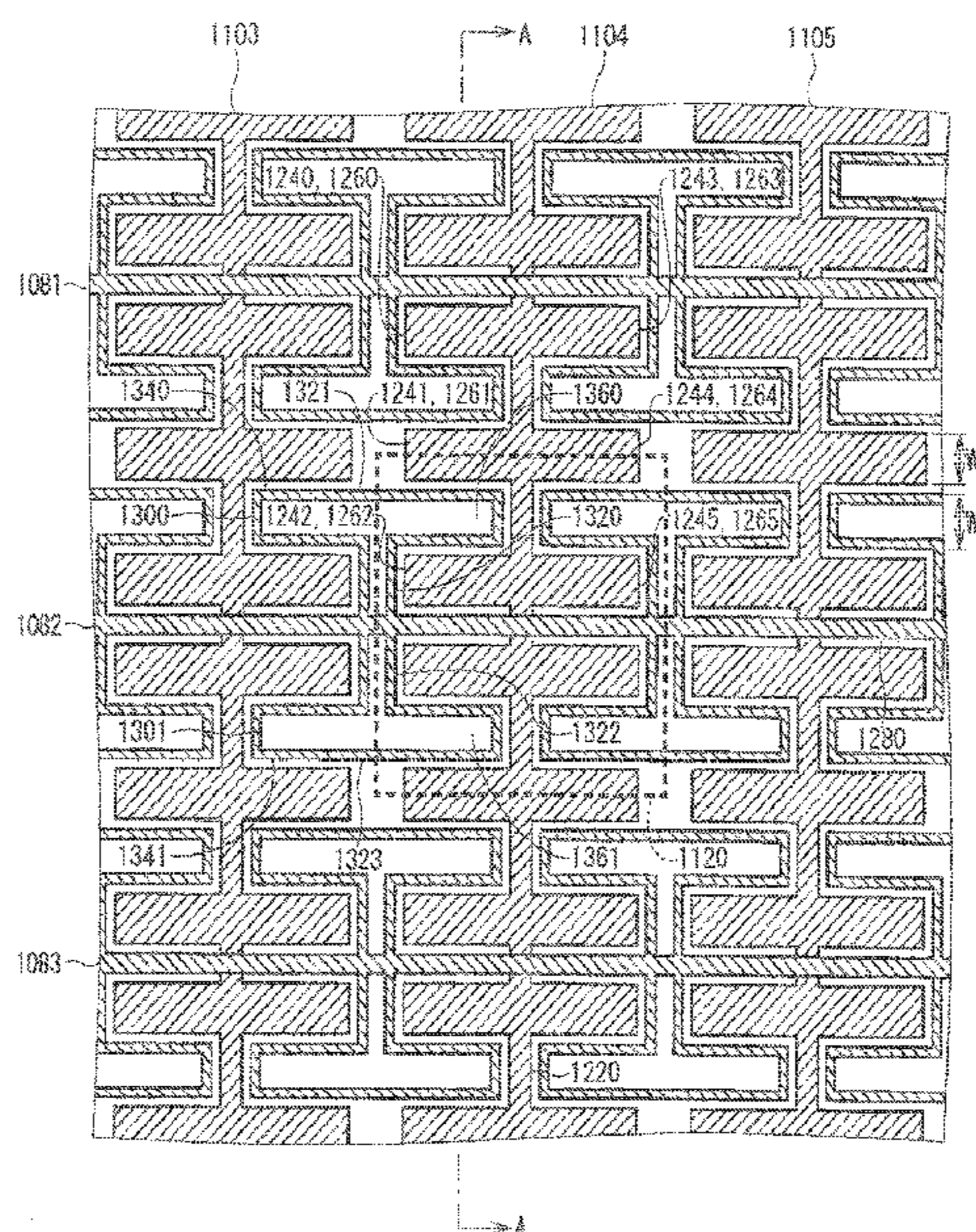
(56) **References Cited**
U.S. PATENT DOCUMENTS
5,844,506 A * 12/1998 Binstead G06F 3/0202 341/34
6,452,514 B1 * 9/2002 Philipp G01D 5/2405 178/18.06

(Continued)
FOREIGN PATENT DOCUMENTS
JP H09-511086 A 11/1997
JP 2003-526831 A 9/2003
(Continued)

Primary Examiner — Christina Y. Leung
(74) *Attorney, Agent, or Firm* — Studebaker & Brackett PC

(57) **ABSTRACT**
In a touch screen, a lower electrode is insulated from an upper electrode by an insulation film. A column direction wire of the upper electrode includes a first linear portion which extends in a row direction, and first branch portions which are branched from the first linear portion. A row direction wire of the lower electrode includes a second linear portion which extends in a column direction, and second branch portions which are branched from the second linear portion. The second linear portion three-dimensionally intersects the first linear portion, yet does not three-dimensionally intersect first branch portions. A rim portion of each of second branch portions includes a portion parallel along an outline of the first linear portion or first branch portions, yet does not include a portion parallel along an outline of the second linear portion. At each of second branch portions, a cavity portion is formed.

20 Claims, 13 Drawing Sheets



(56)

References Cited

U.S. PATENT DOCUMENTS

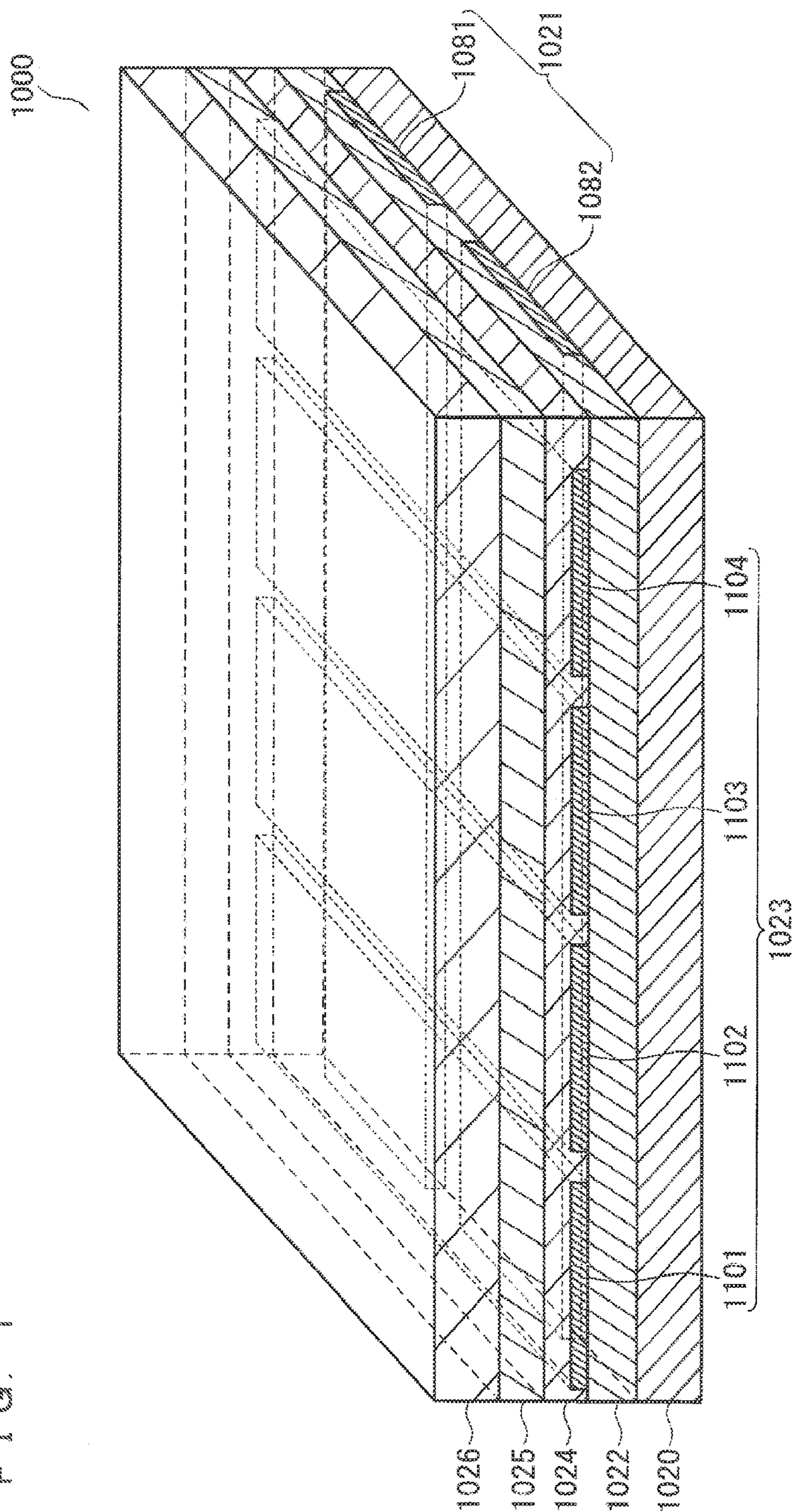
RE40,867 E 8/2009 Binstead
8,269,744 B2* 9/2012 Agari G06F 3/044
345/173
8,390,598 B2 3/2013 Agari et al.
8,593,410 B2* 11/2013 Hong G06F 1/16
345/173
9,295,176 B2* 3/2016 Ohtani G06F 3/041
2010/0214232 A1* 8/2010 Chan G06F 3/04182
345/173
2013/0285980 A1* 10/2013 Oya G06F 3/0445
345/174
2016/0139707 A1* 5/2016 Nakamura G06F 3/044
345/174
2016/0313860 A1* 10/2016 Ono G06F 3/0418
2016/0334933 A1* 11/2016 Ono G06F 3/044
2016/0357285 A1* 12/2016 Ono G06F 3/044

FOREIGN PATENT DOCUMENTS

JP 2010-061502 A 3/2010
JP 2010-198586 A 9/2010
JP 2012-103761 A 5/2012
JP 2014-186535 A 10/2014
WO 95/27334 A1 10/1995
WO 00/044018 A1 7/2000
WO 2012/096210 A1 7/2012

* cited by examiner

FIG. 1



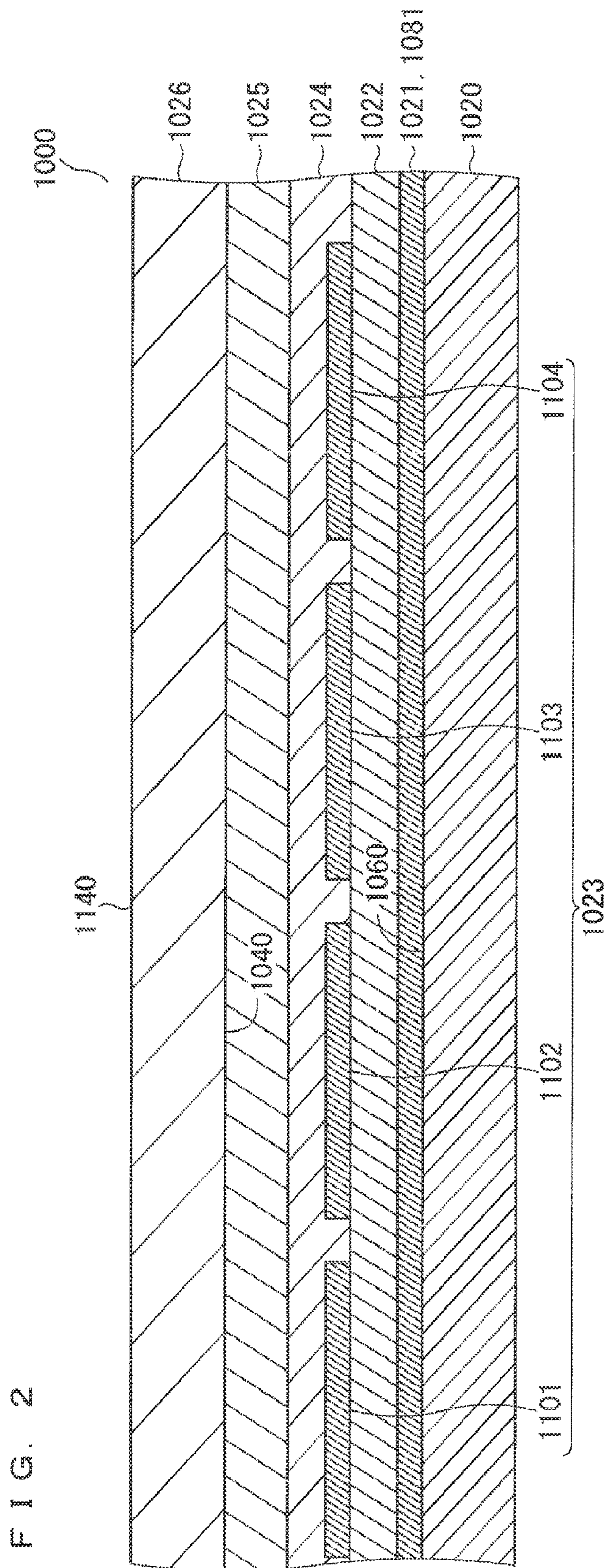


FIG. 2

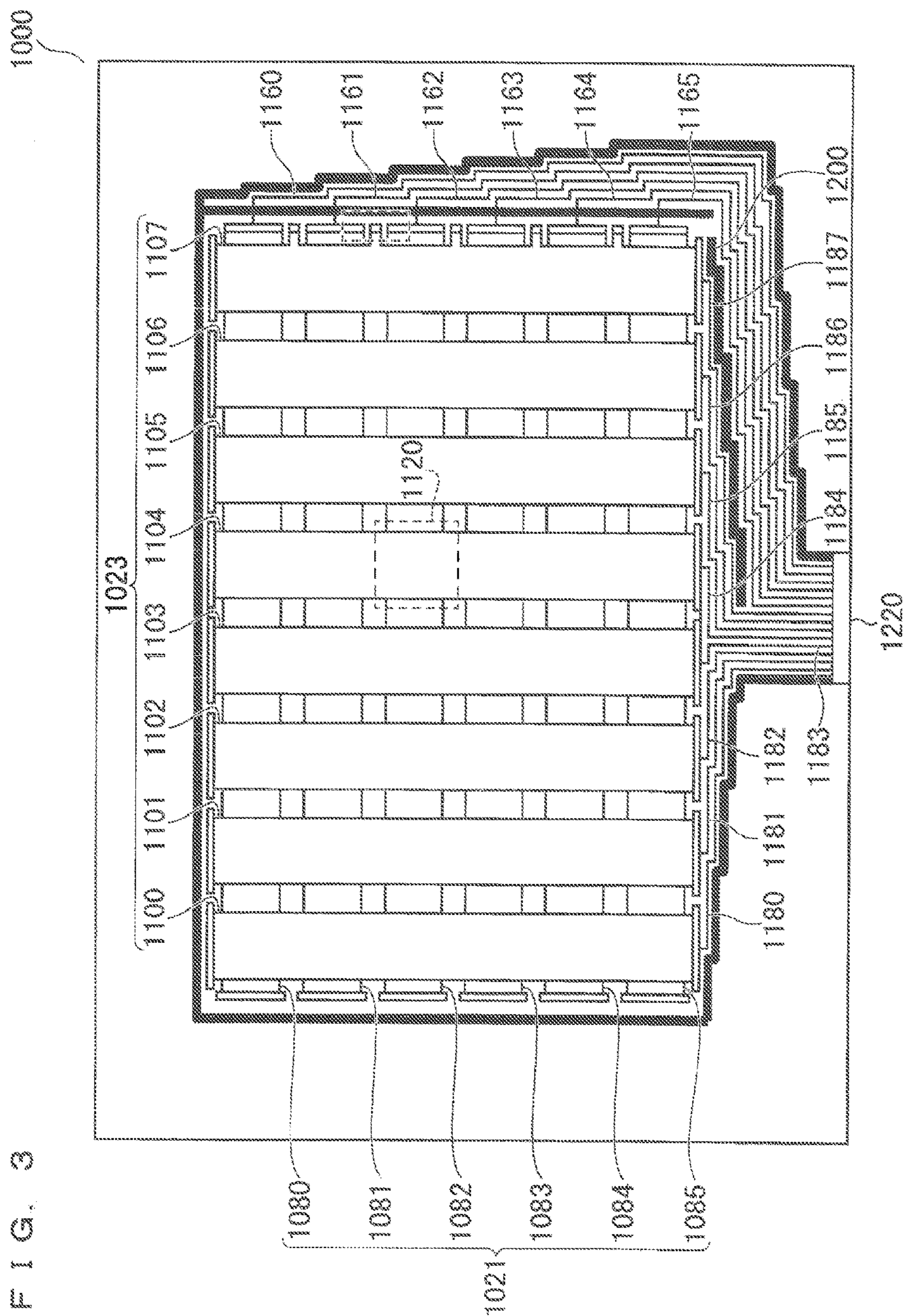


FIG. 4

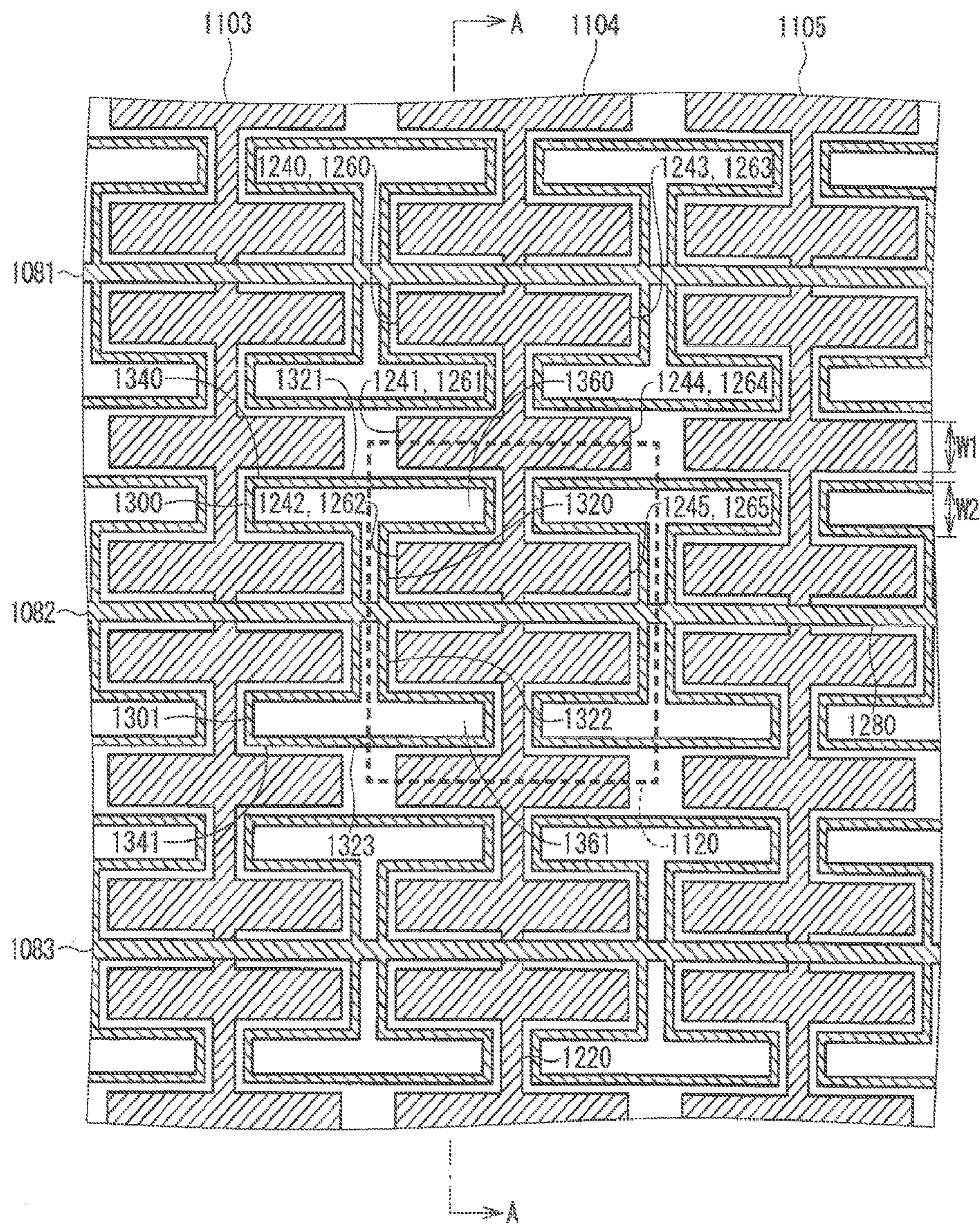


FIG. 5

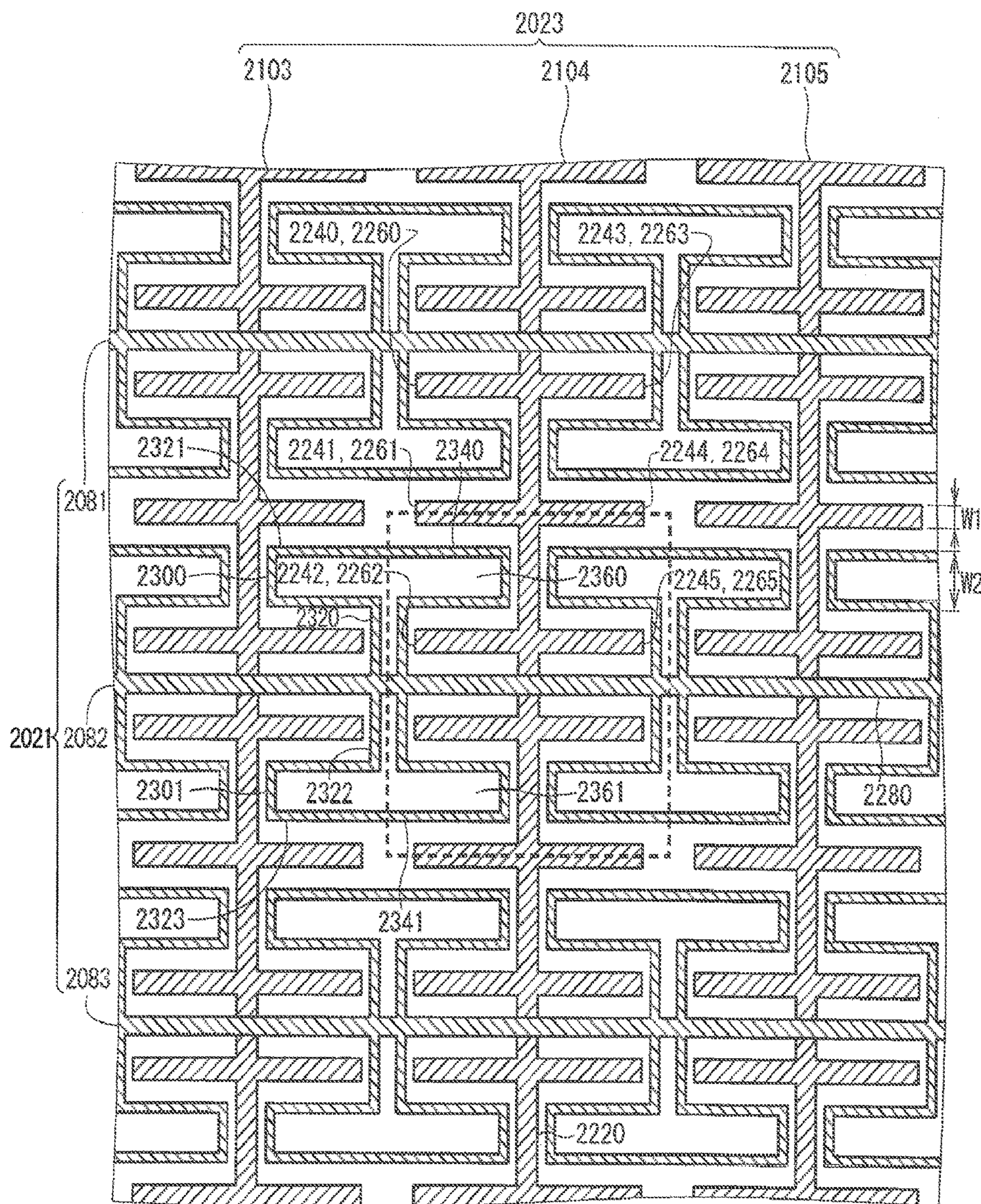


FIG. 6

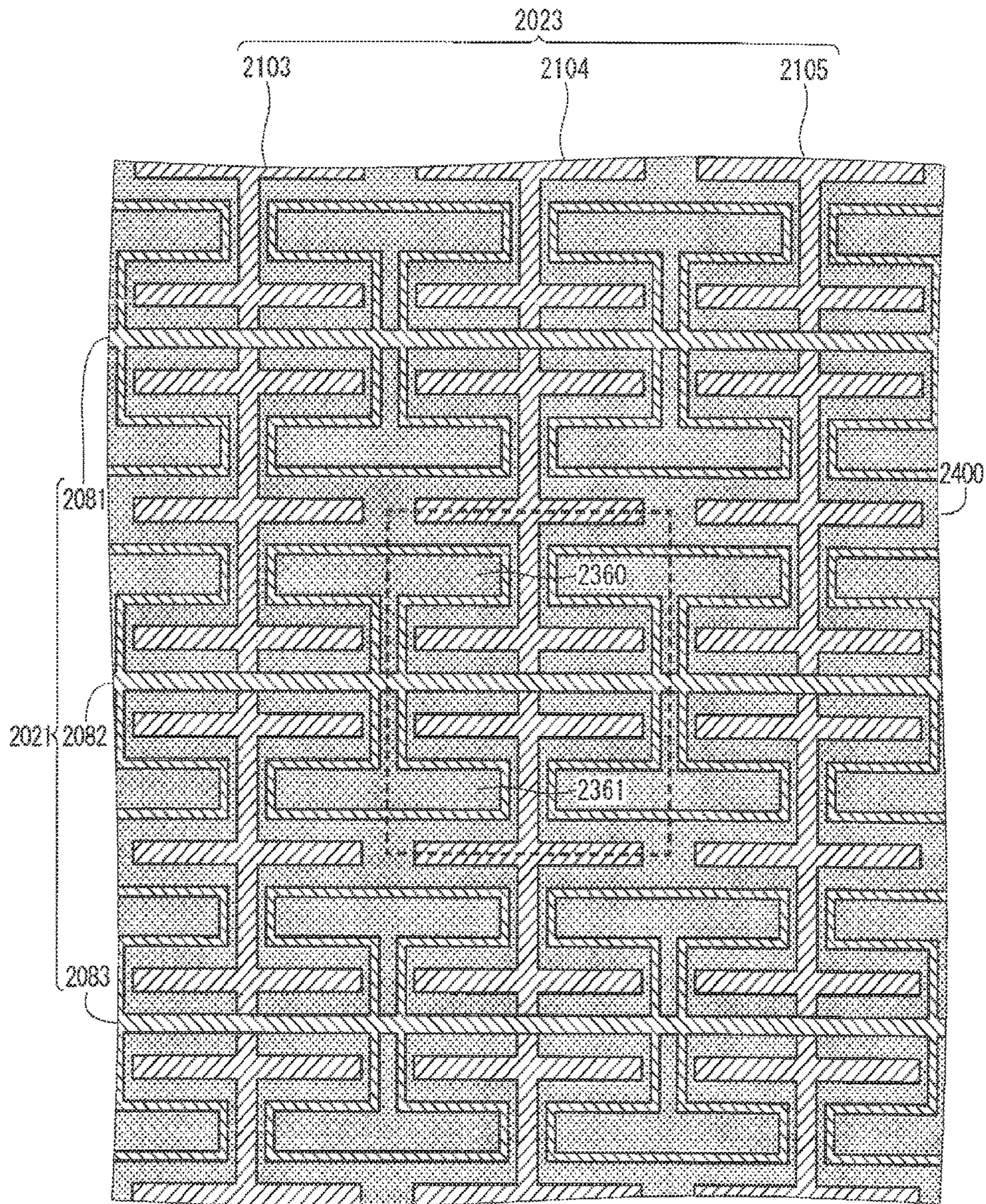


FIG. 7

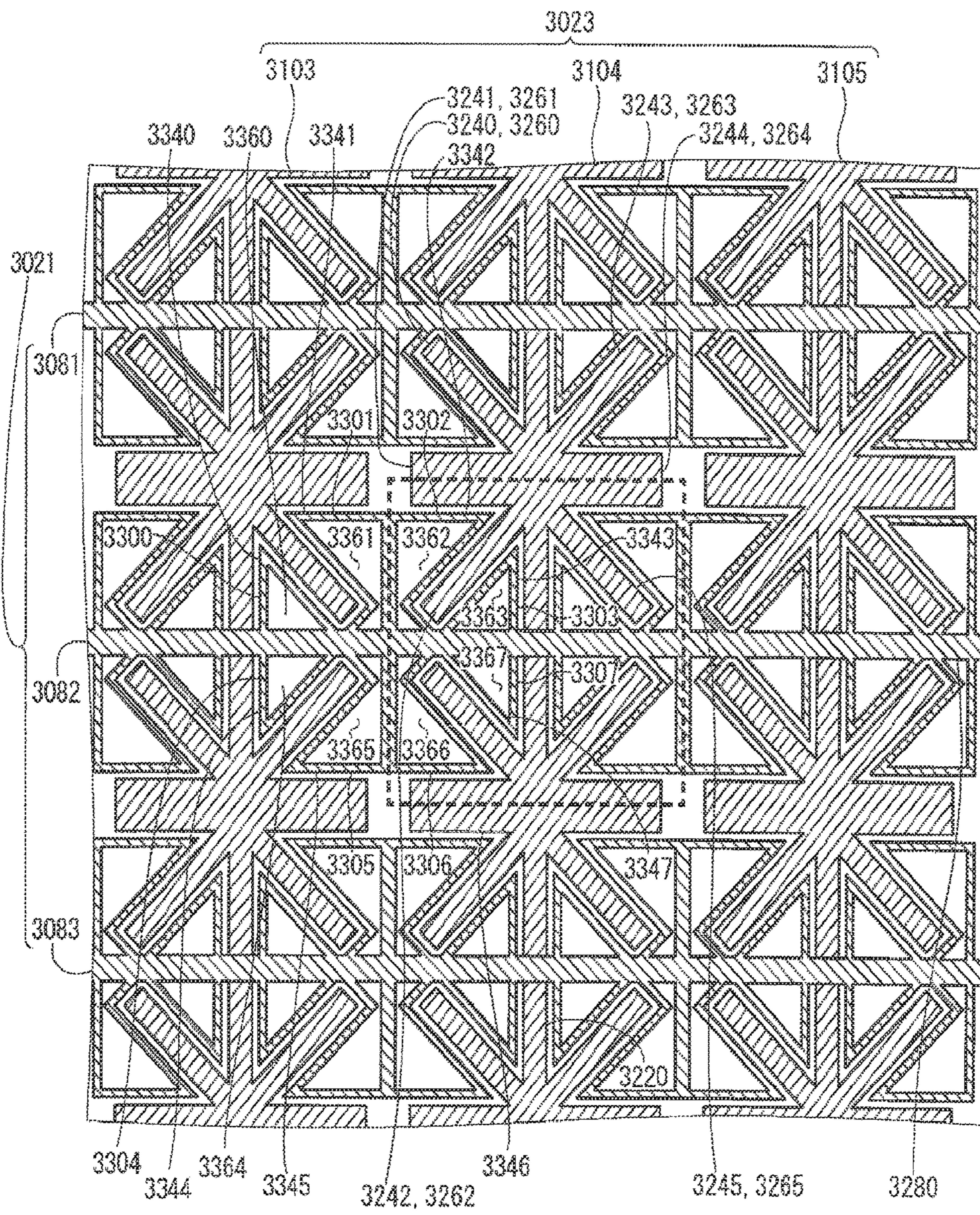


FIG. 8

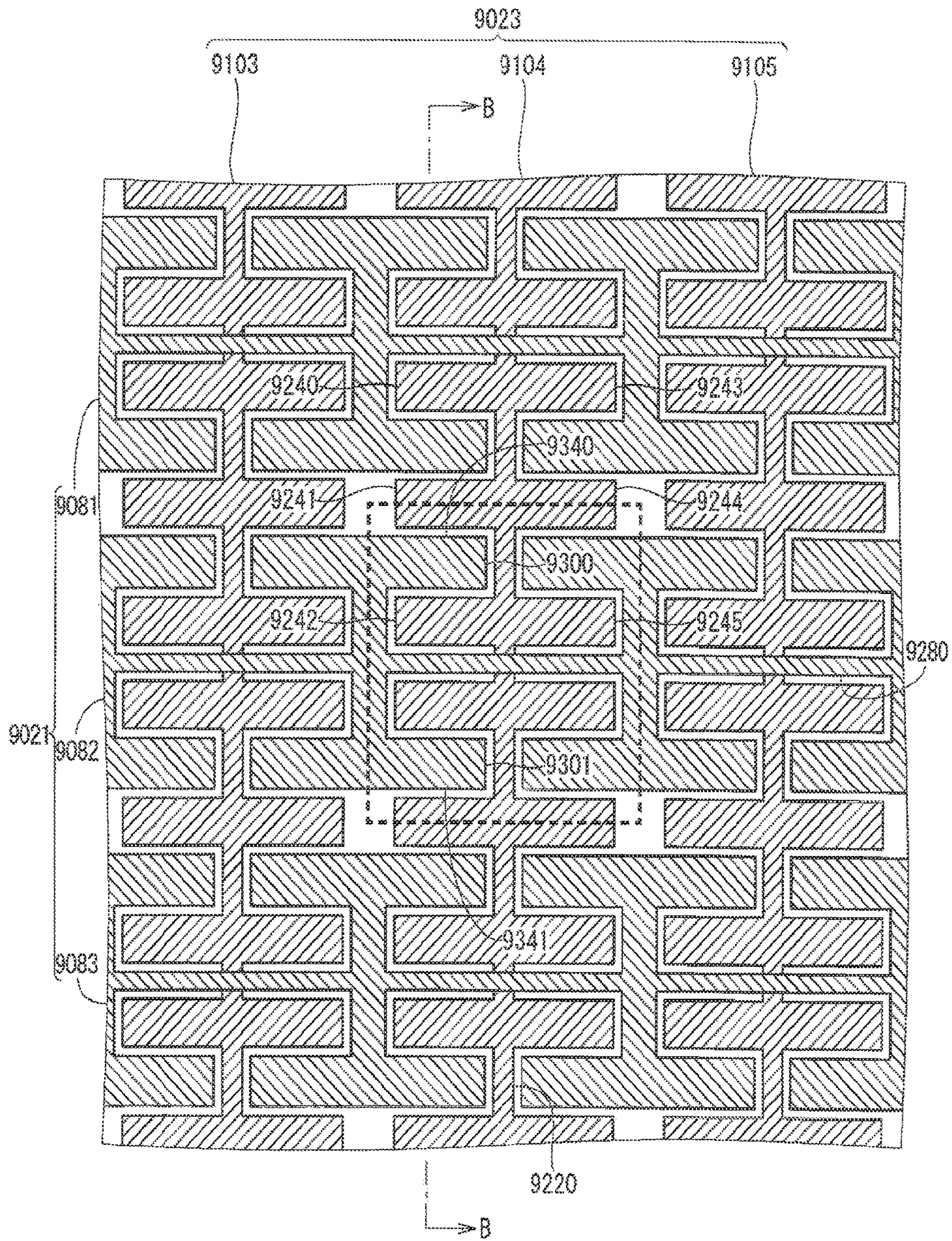


FIG. 9

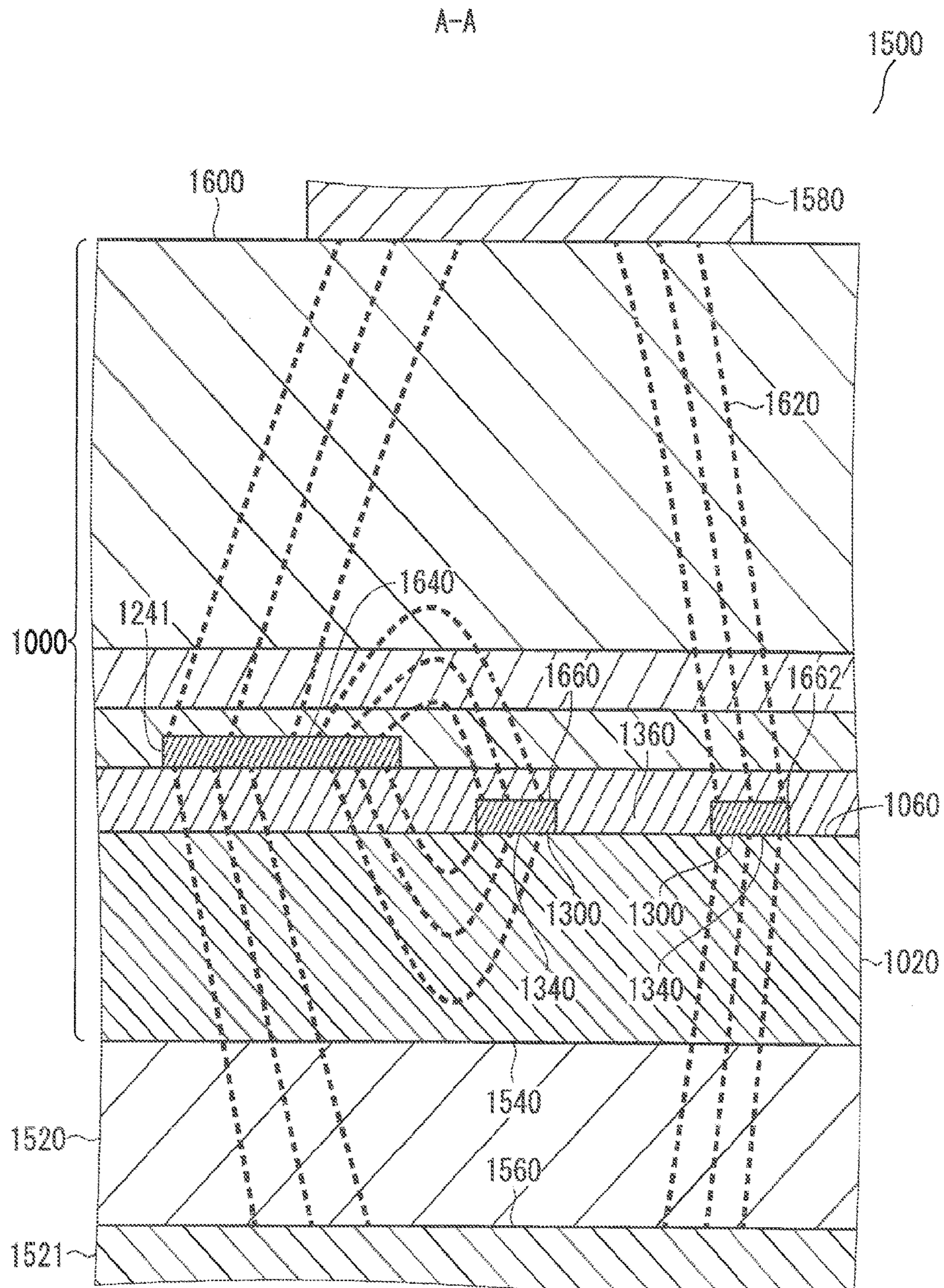


FIG. 10

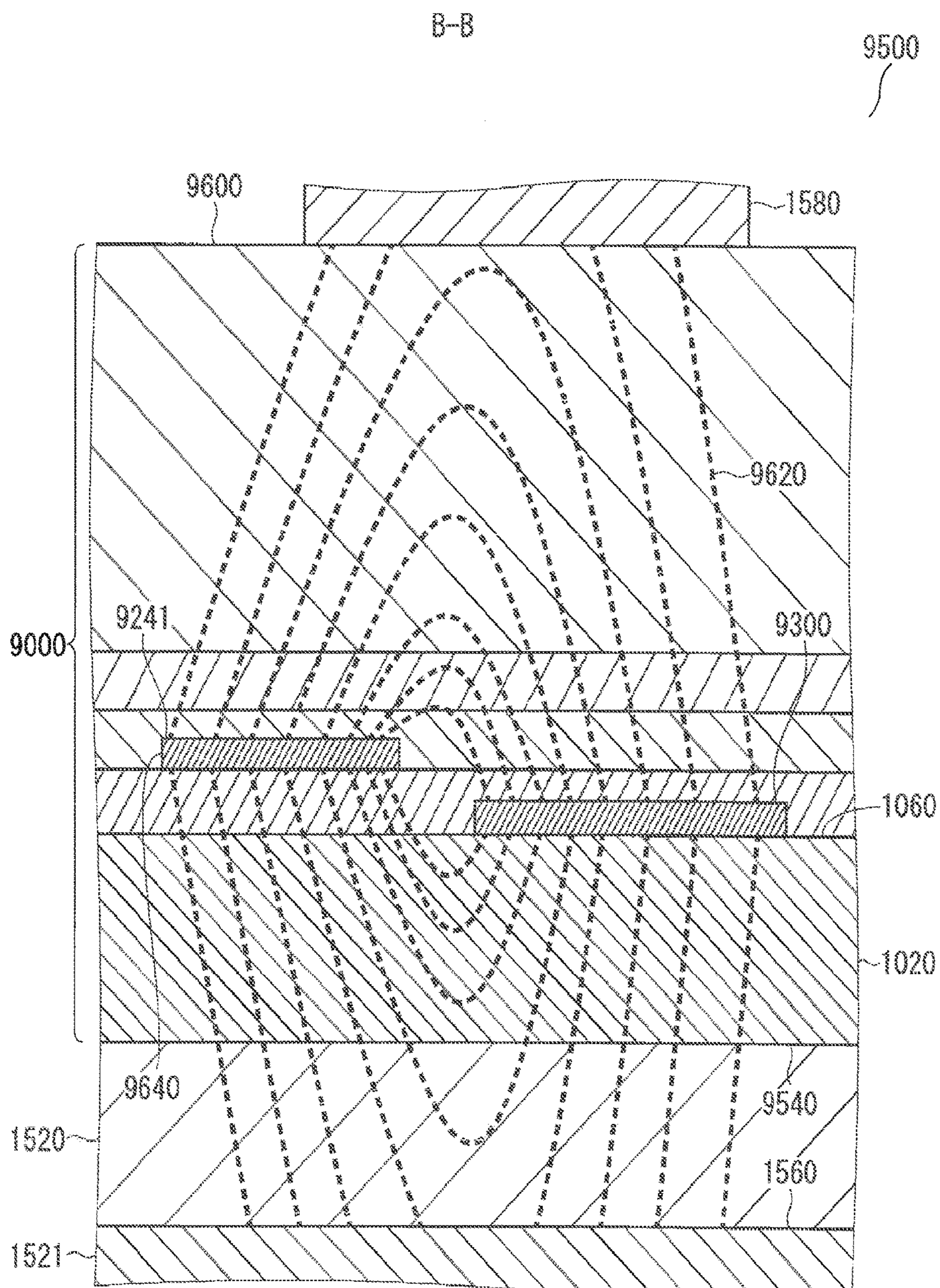


FIG. 11

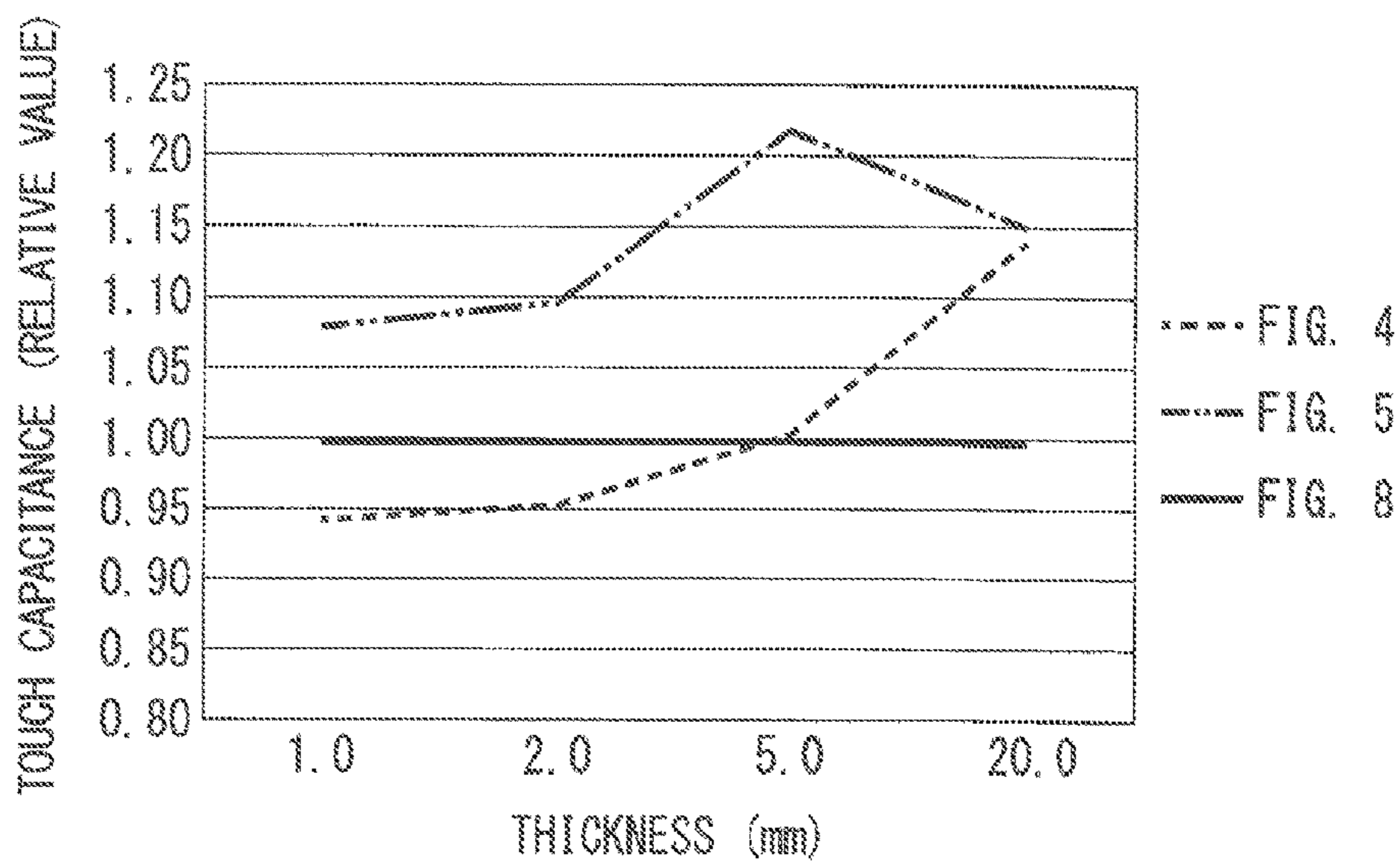


FIG. 12

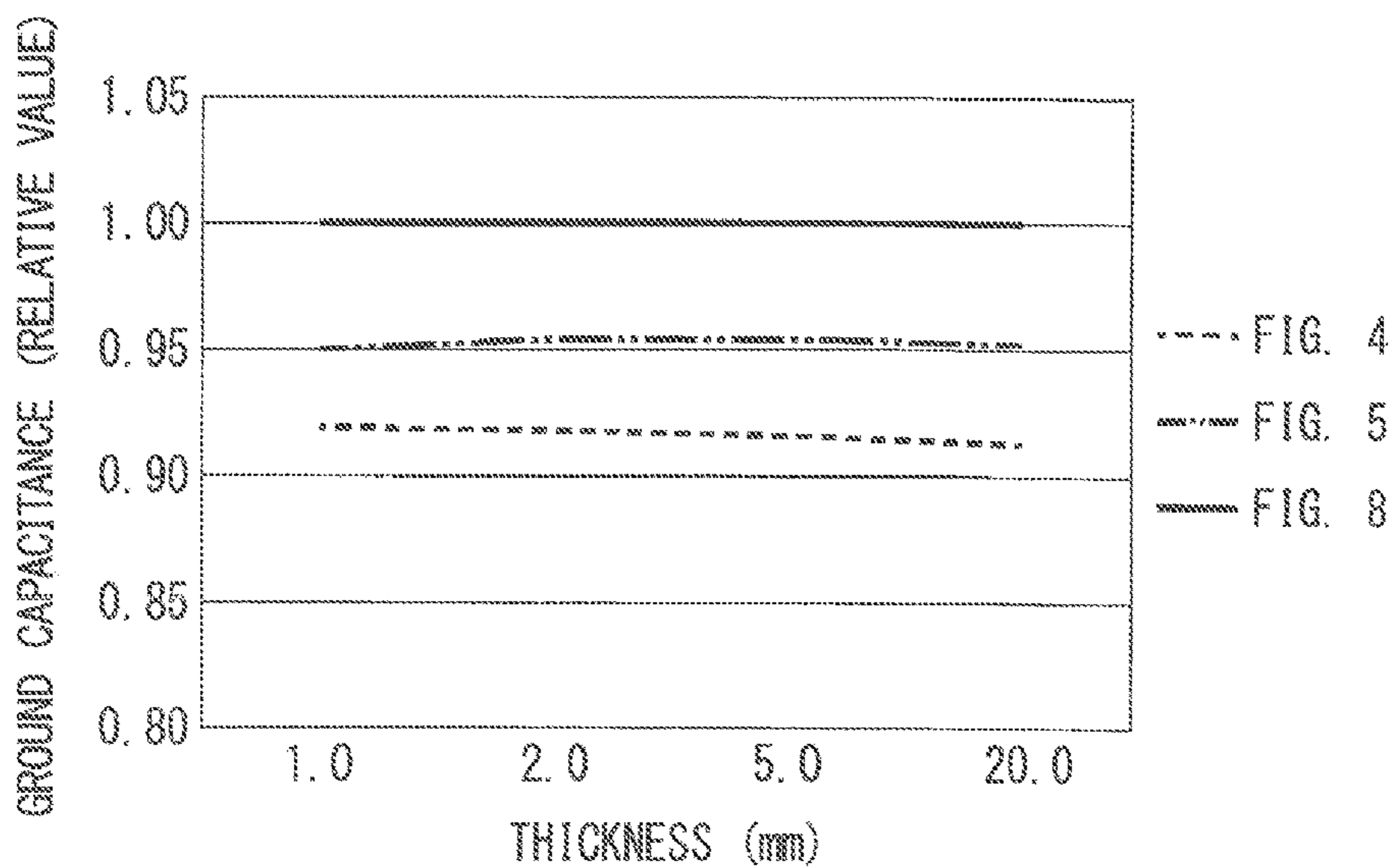


FIG. 13

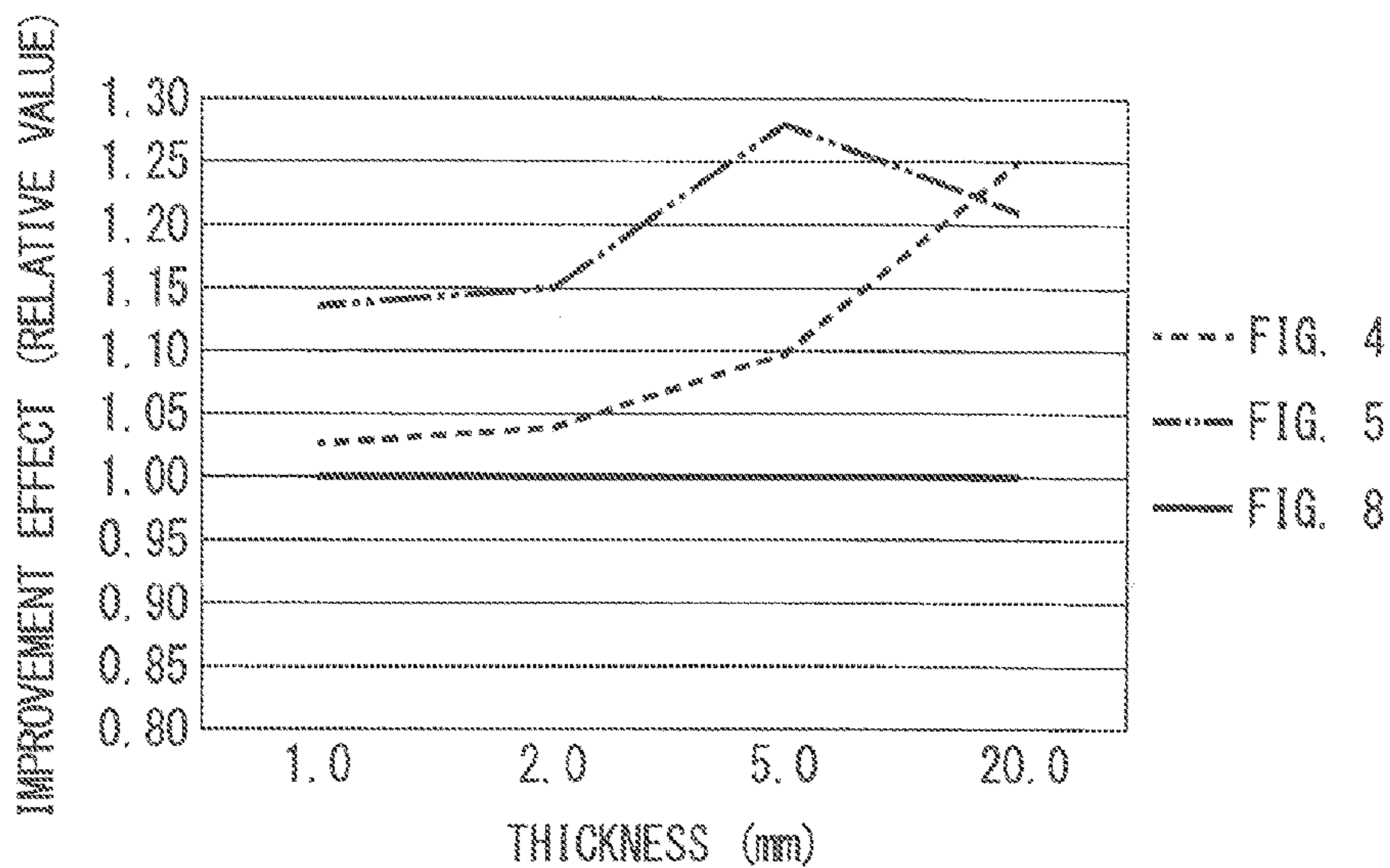


FIG. 14

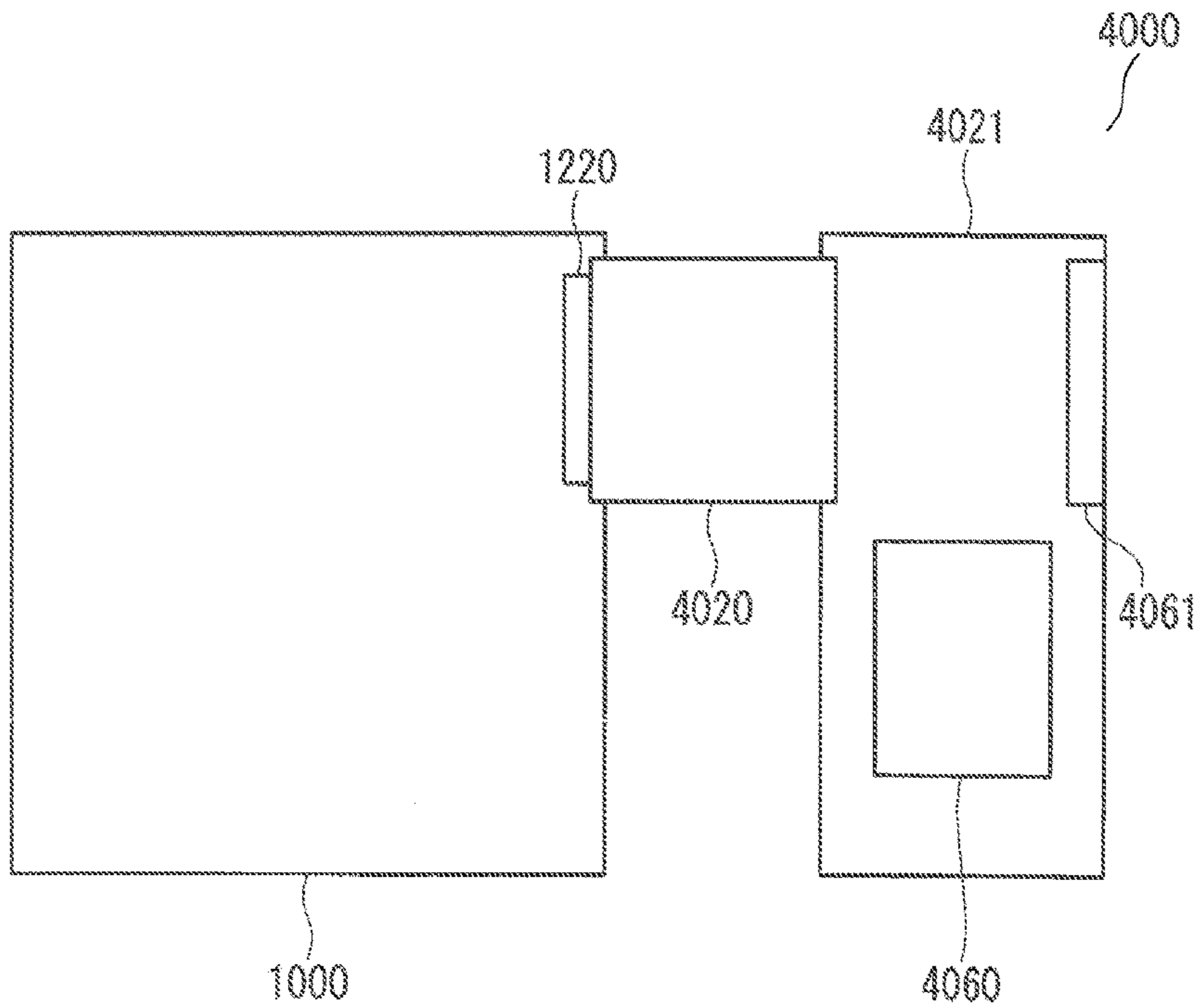


FIG. 15

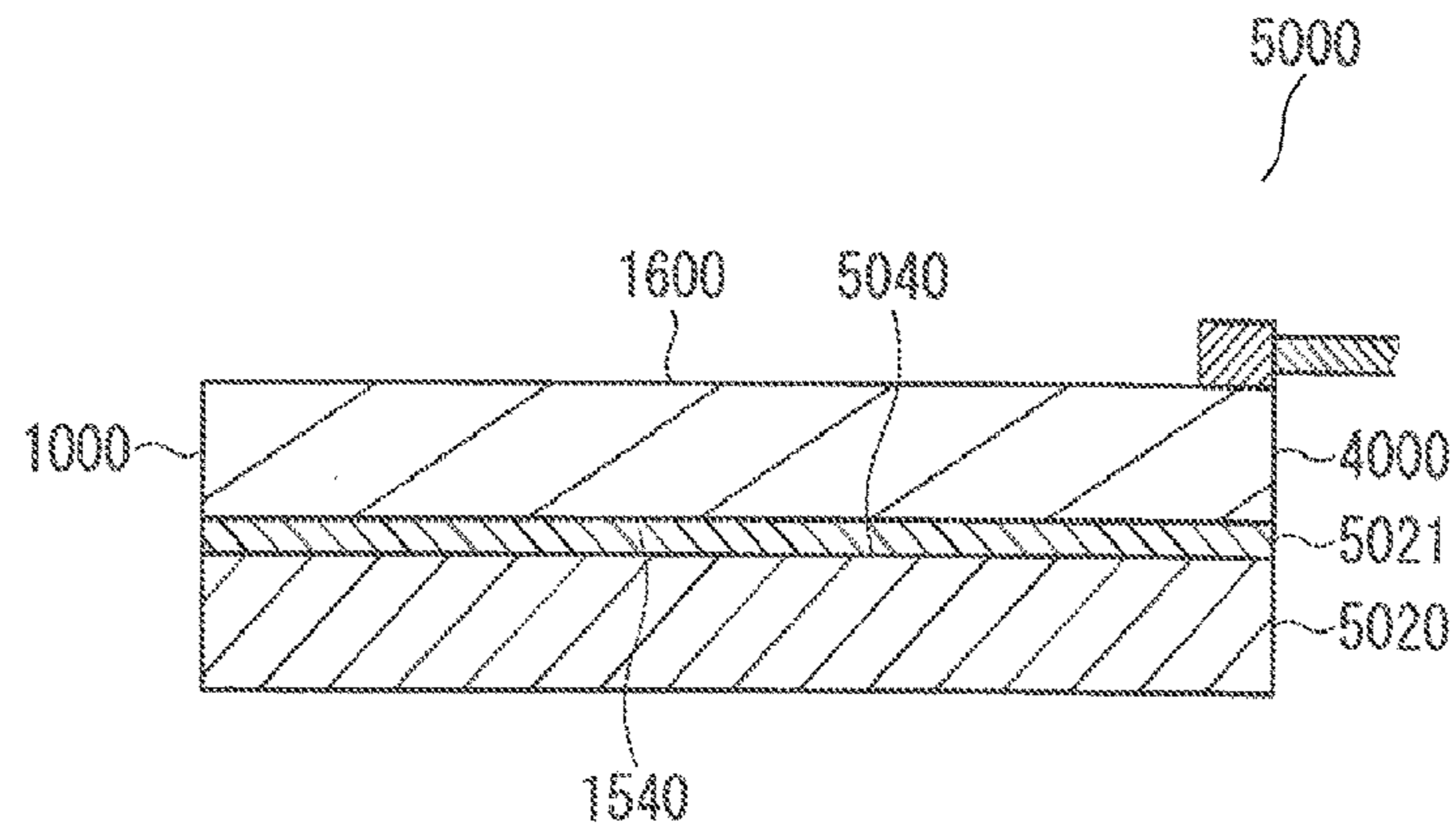
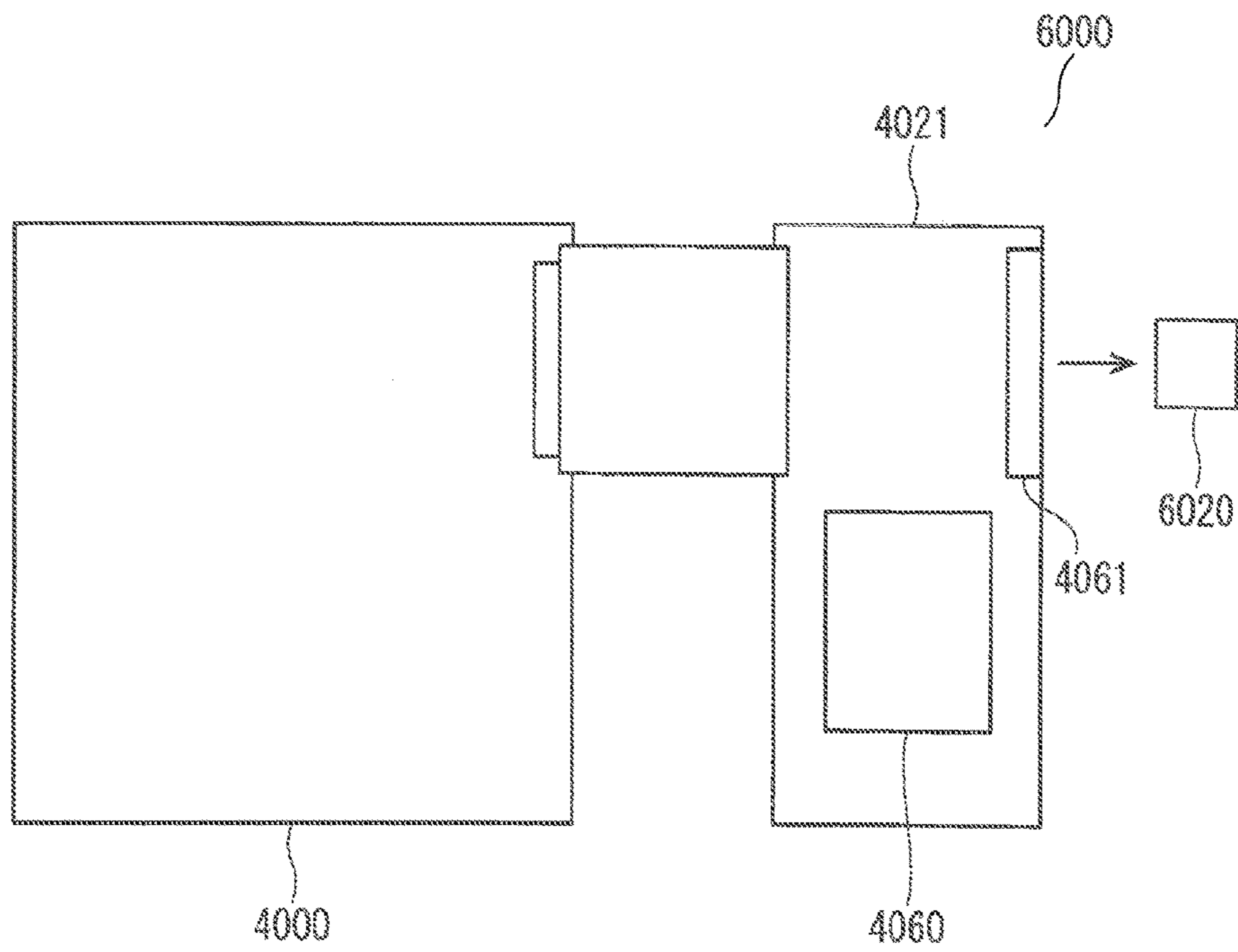


FIG. 16



**TOUCH SCREEN WITH ELECTRODES
INCLUDING LINEAR AND BRANCHED
PORTIONS**

Matter enclosed in heavy brackets [] appears in the original patent but forms no part of this reissue specification; matter printed in italics indicates the additions made by reissue; a claim printed with strikethrough indicates that the claim was canceled, disclaimed, or held invalid by a prior post-patent action or proceeding.

BACKGROUND OF THE INVENTION

Field of the Invention

The present invention relates to a touch screen, a touch panel which includes the touch screen, a display device which includes the touch panel, and an electronic device which includes the touch panel.

Description of the Background Art

A touch panel is a device which detects a touch by a pointing body such as a finger and specifies a position coordinate indicating a touch position touched on the touch panel, and is gaining attention as a device which contributes to providing a good user interface. The touch panel which is currently provided as a product detects a touch by the pointing body based on a resistance film system or a capacitive system.

Generally speaking, the touch panel includes a touch screen and a detecting device. The detecting device specifies a position coordinate indicating a touch position based on a signal inputted from the touch screen. The touch screen includes a built-in touch sensor which detects a touch.

A touch panel of a capacitive system includes a touch panel of a projected capacitive system. A touch panel disclosed in Japanese Patent Application Laid-Open No. 2012-103761 is an example of such a touch panel. A touch panel of a projected capacitive system which is typified by the touch panel disclosed in Japanese Patent Application Laid-Open No. 2012-103761 can detect a touch by a pointing body even when a front surface of a touch screen including a built-in touch sensor is covered by a protection plate made of a glass plate having a thickness of several millimeters. Consequently, by disposing the protection plate on the front surface of the touch screen in the touch panel of the projected capacitive system, it is possible to provide good robustness to the touch panel. Further, even when there is a touch by a finger of a user's hand wearing a glove, the touch panel of the projected capacitive system can detect the touch. Furthermore, the touch panel of the projected capacitive system does not include a movable portion, and therefore has a long operational life.

The touch panel of the capacitive system typically includes a first electrode and a second electrode. The first electrode typically includes a plurality of row wires. The second electrode typically includes a plurality of column wires. Each of a plurality of row wires extends in a row direction. A plurality of row wires is aligned in a column direction. Each of a plurality of column wires extends in the column direction. A plurality of column wires is aligned in the row direction.

The touch panel of the capacitive system detects a change in a capacitance according to a detection system such as a

self-capacitive system or a mutual capacitive system, and specifies a touch position based on the detected change in the capacitance.

When a change in a capacitance is detected by the self-capacitive system, a plurality of row wires and a plurality of column wires are detection wires for detecting a capacitance, a detection circuit detects the change in the capacitance between a pointing body and each of a plurality of row wires, and the detection circuit detects the change in the capacitance between the pointing body and each of a plurality of column wires to specify a touch position based on the detected change in the capacitance of the former and the detected change in the capacitance of the latter. A technique disclosed in Japanese Translation of PCT Application Publication No. 9-511086 is an example of such a technique. According to the technique disclosed in Japanese Translation of PCT Application Publication No. 9-511086, a plurality of row wires is included which is called a first series of conductor elements, and a plurality of column wires is included which is called a second series of conductor elements. The first series of conductor elements are adhered onto a surface of a thin dielectric film. The second series of conductor elements are adhered onto the surface of the thin dielectric film, and are insulated from the first series of conductor elements by an insulation film. The second series of conductor elements intersect the first series of conductor elements to form a plurality of intersection points. The capacitance of each of the first series of conductor elements is sampled by the detection circuit, and the capacitance of each of the second series of conductor elements is sampled by the detection circuit to determine a position of a pointing body which is called an interference object based on changes in the sampled capacitance of the former and the sampled capacitance of the latter.

When a change in the capacitance is detected by the mutual capacitive system, a change in an electric field, i.e., a change in a mutual capacitance between each of a plurality of row wires and a plurality of column wires is detected by the detection circuit to specify a touch position based on the detected change in the mutual capacitance. A technique disclosed in Japanese Translation of PCT Application Publication No. 2003-526831 is an example of such a technique.

Both of the self-capacitive system and the mutual capacitive system generally employ the following method for specifying a position coordinate. That is, a touch surface is partitioned into a plurality of planar areas in a lattice pattern such that each row includes one row wire and each column includes one column wire. Each of a plurality of planar areas is referred to as a detection cell. Further, when there is a touch by a pointing body, a position coordinate indicating a touch position is specified based on a balance between a detection value of a sensor block which is a touched detection cell, and a detection value of a detection cell near the sensor block.

Recently, a connection mode that a lead wire is connected only to one end of each of a plurality of row wires, and a lead wire is connected only to one end of each of a plurality of column wires is realized. This connection mode can be realized by forming detection wires by mesh electrodes made of metal having an electrical resistance lower than that of a transparent electrode made of indium tin oxide (ITO). A technique disclosed in Japanese Patent Application Laid-Open No. 2010-61502 is an example of such a technique.

In a touch panel adopting glass having a single-sided two-layer structure in which row wires and column wires are disposed on one main surface of a glass plate, a mutual capacitance is planarly produced between the row wires and

the column wires, and capacitive coupling between the wires and a pointing body such as a finger is detected to specify a position coordinate. Further, in the touch panel adopting the glass having the single-sided two-layer structure, coupling between the row wires and the column wires is strong, and therefore it is difficult to produce a sufficient electric field at a position distant from the row wires and the column wires. In this case, when a distance from the row wires and the column wires to the pointing body is long, it is difficult to detect a change in the mutual capacitance and specify a position coordinate indicating a touch position. This problem also occurs when a plate including a main surface on which the row wires and the column wires are disposed is made of a material other than glass, when a first electrode includes wires adopting a structure which is hardly row wires, and when a second electrode includes wires adopting a structure which is hardly column wires.

Meanwhile, in recent years, diversification of usage of touch panels demands to adopt a thick protection plate compared to that of a conventional technique to provide the highly robust touch panels, and allow a finger of a hand wearing a thick glove such as a ski glove to give an instruction. Therefore, even when a distance from the first electrode and the second electrode to a pointing body is long, it is necessary to make it possible to detect a change in a mutual capacitance, and specify a position coordinate indicating a touch position.

SUMMARY OF THE INVENTION

An object of the present invention is to provide a touch screen which can detect a change in a mutual capacitance and specify a position coordinate indicating a touch position even when a distance from an electrode to a pointing body is long.

The present invention relates to a touch screen, a touch panel which includes the touch screen, a display device which includes the touch panel, and an electronic device which includes the touch panel.

The touch screen includes a first electrode, an insulation film and a second electrode. The first electrode, the insulation film and the second electrode are disposed on a main surface of a substrate. The second electrode is insulated from the first electrode by the insulation film.

The first electrode includes a plurality of first wires, and the second electrode includes a plurality of second wires. A plurality of first wires is detection wires. A plurality of second wires is excitation wires. It is allowable that a plurality of first wires is the excitation wires, and a plurality of second wires is the detection wires.

Each of a plurality of first wires includes a first linear portion and a plurality of first branch portions. The first linear portion extends in a first direction. A plurality of first branch portions is branched from the first linear portion.

Each of a plurality of second wires includes a second linear portion and a plurality of second branch portions. The second linear portion extends in a second direction which is not in parallel to the first direction. A plurality of second branch portions is branched from the second linear portion.

The second linear portion three-dimensionally intersects the first linear portion, yet does not three-dimensionally intersect a plurality of first branch portions.

Each of a plurality of second branch portions includes a rim portion. At each of a plurality of second branch portions, a cavity portion surrounded by the second linear portion and the rim portion is formed. When seen in a plan view in a direction vertical to the main surface of the substrate, the rim

portion includes a portion parallel along an outline of the first linear portion or a plurality of first branch portions, yet does not include a portion parallel along an outline of the second linear portion.

A coupling capacitance between the excitation wires and the detection wires is low, and a coupling capacitance between a pointing body and the excitation wires and the detection wires is high. Further, a ground capacitance between the excitation wires or the detection wires, and a ground decreases. Consequently, even when a distance from the electrode to the pointing body is long, it is possible to detect a change in a mutual capacitance, and specify a position coordinate indicating a touched touch position.

These and other objects, features, aspects and advantages of the present invention will become more apparent from the following detailed description of the present invention when taken in conjunction with the accompanying drawings.

BRIEF DESCRIPTION OF THE DRAWINGS

FIG. 1 is a perspective view illustrating a touch screen according to a first preferred embodiment;

FIG. 2 is a cross-sectional view illustrating the touch screen according to the first preferred embodiment;

FIG. 3 is a plan view illustrating the touch screen according to the first preferred embodiment;

FIG. 4 is an enlarged plan view illustrating an upper electrode and a lower electrode of the touch screen according to the first preferred embodiment;

FIG. 5 is an enlarged plan view illustrating an upper electrode and a lower electrode according to a second preferred embodiment;

FIG. 6 is an enlarged plan view illustrating a dummy pattern desirably added to the upper electrode and the lower electrode according to the second preferred embodiment;

FIG. 7 is an enlarged plan view illustrating an upper electrode and a lower electrode according to a third preferred embodiment;

FIG. 8 is an enlarged plan view illustrating an upper electrode and a lower electrode according to a reference example;

FIG. 9 is a cross-sectional view illustrating a display device including the touch screen according to the first preferred embodiment;

FIG. 10 is a cross-sectional view illustrating a display device including a touch screen formed by replacing the upper electrode and the lower electrode of the touch screen according to the first preferred embodiment with the upper electrode and the lower electrode according to the reference example;

FIG. 11 is a graph illustrating a change in a touch capacitance with respect to the thickness of a transparent electrode in a case where patterns of the upper electrode and the lower electrode are as illustrated in each of FIGS. 4, 5 and 8;

FIG. 12 is a graph illustrating a change in a ground capacitance with respect to the thickness of the transparent electrode in a case where the patterns of the upper electrode and the lower electrode are as illustrated in each of FIGS. 4, 5 and 8;

FIG. 13 is a graph illustrating a change in an improvement effect with respect to the thickness of the transparent electrode in a case where the patterns of the upper electrode and the lower electrode are as illustrated in each of FIGS. 4, 5 and 8;

FIG. 14 is a plan view illustrating a touch panel according to a fourth preferred embodiment;

5

FIG. 15 is a cross-sectional view illustrating a display device according to a fifth preferred embodiment; and

FIG. 16 is a block diagram illustrating an electronic device according to a sixth preferred embodiment.

DESCRIPTION OF THE PREFERRED EMBODIMENTS

1 First Preferred Embodiment

1.1 Preface

The first preferred embodiment relates to a touch screen.

1.2 Stacked Structure of Touch Screen

Schematic views of FIGS. 1, 2 and 3 are a perspective view, a cross-sectional view and a plan view illustrating the touch screen according to the first preferred embodiment respectively.

A touch screen 1000 illustrated in FIGS. 1, 2 and 3 is a device which detects a touch position touched by a pointing body such as a finger. The touch screen 1000 is configured to be able to detect a touch position according to a projected capacitive system.

As illustrated in FIGS. 1 and 2, the touch screen 1000 includes a transparent substrate 1020, a lower electrode 1021, an inter-layer insulation film 1022, an upper electrode 1023, a protection film 1024, a pressure sensitive adhesive layer 1025 and a transparent substrate 1026. The touch screen 1000 may include components other than these components.

One main surface 1040 of the transparent substrate 1026 is opposed to one main surface 1060 of the transparent substrate 1020 across the lower electrode 1021, the inter-layer insulation film 1022, the upper electrode 1023, the protection film 1024 and the pressure sensitive adhesive layer 1025. The lower electrode 1021 is disposed on the one main surface 1060 of the transparent substrate 1020. The inter-layer insulation film 1022 is overlaid on the lower electrode 1021 and is disposed on the one main surface 1060 of the transparent substrate 1020 to cover the entire lower electrode 1021. The upper electrode 1023 is overlaid on the lower electrode 1021 and the inter-layer insulation film 1022, and is disposed on the one main surface 1060 of the transparent substrate 1020. The protection film 1024 is overlaid on the lower electrode 1021, the inter-layer insulation film 1022 and the upper electrode 1023 and is disposed on the one main surface 1060 of the transparent substrate 1020 to cover the entire upper electrode 1023. The pressure sensitive adhesive layer 1025 is overlaid on the lower electrode 1021, the inter-layer insulation film 1022, the upper electrode 1023 and the protection film 1024, and is disposed on the one main surface 1060 of the transparent substrate 1020. By this means, the lower electrode 1021, the inter-layer insulation film 1022, the upper electrode 1023, the protection film 1024 and the pressure sensitive adhesive layer 1025 are held between the one main surface 1060 of the transparent substrate 1020 and the one main surface 1040 of the transparent substrate 1026, are supported by the transparent substrate 1020 disposed in the lowermost layer and are protected by the transparent substrate 1026 disposed in the uppermost layer. Further, the upper electrode 1023 is insulated from the lower electrode 1021 by the inter-layer insulation film 1022.

1.3 Arrangement of Lower Electrode and Upper Electrode

As illustrated in FIGS. 1, 2 and 3, the lower electrode 1021 includes row direction wires 1080, 1081, 1082, 1083, 1084 and 1085, and the upper electrode 1023 includes column direction wires 1100, 1101, 1102, 1103, 1104, 1105,

6

1106 and 1107. The six row direction wires 1080, 1081, 1082, 1083, 1084 and 1085 may be replaced with five or less row direction wires or seven or more row direction wires. The eight column direction wires 1100, 1101, 1102, 1103, 1104, 1105, 1106 and 1107 may be replaced with seven or less column row wires or nine or more column direction wires.

Each of the row direction wires 1080, 1081, 1082, 1083, 1084 and 1085 extends in a row direction. The row direction wires 1080, 1081, 1082, 1083, 1084 and 1085 are aligned in a column direction. Each of the column direction wires 1100, 1101, 1102, 1103, 1104, 1105, 1106 and 1107 extends in the column direction. The column direction wires 1100, 1101, 1102, 1103, 1104, 1105, 1106 and 1107 are aligned in the row direction. The row direction is a direction parallel to the one main surface 1060 of the transparent substrate 1020. The column direction is a direction parallel to the one main surface 1060 of the transparent substrate 1020 and vertical to the row direction.

The touch screen 1000 includes a detectable area in which a touch by the pointing body can be detected. The detectable area is a matrix area including a plurality of sensor units aligned in a matrix pattern. FIG. 3 illustrates a rectangle 1120 indicating one sensor unit of a plurality of sensor units. The row direction wires 1080, 1081, 1082, 1083, 1084 and 1085 and the column direction wires 1100, 1101, 1102, 1103, 1104, 1105, 1106 and 1107 are disposed in the detectable area. A plurality of sensor units is aligned such that one row direction wire is disposed in each row and one column direction wire is disposed in each column. Hence, an intersection point of one column direction wire and one row direction wire is disposed at each of a plurality of sensor units.

Each of the column direction wires 1100, 1101, 1102, 1103, 1104, 1105, 1106 and 1107 intersects each of the row direction wires 1080, 1081, 1082, 1083, 1084 and 1085 when seen in a plan view in a normal direction of the one main surface 1060 of the transparent substrate 1020, but is separated by the inter-layer insulation film 1022 from each of the row direction wires 1080, 1081, 1082, 1083, 1084 and 1085 in the normal direction of the one main surface 1060 of the transparent substrate 1020. Hence, each of the column direction wires 1100, 1101, 1102, 1103, 1104, 1105, 1106 and 1107 three-dimensionally intersects each of the row direction wires 1080, 1081, 1082, 1083, 1084 and 1085, is partitioned from each of the row direction wires 1080, 1081, 1082, 1083, 1084 and 1085 by the inter-layer insulation film 1022, and is insulated from each of the row direction wires 1080, 1081, 1082, 1083, 1084 and 1085 by the inter-layer insulation film 1022.

Each of the row direction wires 1080, 1081, 1082, 1083, 1084 and 1085 extending in the row direction may be replaced with a wire extending in a direction different from the row direction. Each of the column direction wires 1100, 1101, 1102, 1103, 1104, 1105, 1106 and 1107 extending in the column direction may be replaced with a wire extending in a direction different from the column direction. In this regard, the direction in which each wire of the latter extends is not parallel to a direction in which each wire of the former extends.

The lower electrode 1021 disposed in the lower layer and the upper electrode 1023 disposed in the upper layer may be replaced with one electrode and the other electrode disposed in an identical layer. In this case, the inter-layer insulation film 1022 which insulates the lower layer in which the lower electrode 1021 is disposed from the upper layer in which the upper electrode 1023 is disposed is replaced with an insu-

lation film which covers only a portion of the one electrode which three-dimensionally intersects the other electrode.

1.4 Material

The transparent substrates **1020** and **1026** are made of a transparent glass material or a transparent resin material, and have light-transmissiveness. It is allowable that the transparent substrates **1020** and **1026** are made of another material. For example, it is also allowable that the transparent substrates **1020** and **1026** are made of a ceramic material or a single crystal material. When the touch screen **1000** is built in a touch pad and it is not necessary to allow light to transmit through the touch screen **1000**, the transparent substrates **1020** and **1026** may be replaced with non-transparent substrates.

Each of the row direction wires **1080**, **1081**, **1082**, **1083**, **1084** and **1085** adopts a multilayer structure, and each of the column direction wires **1100**, **1101**, **1102**, **1103**, **1104**, **1105**, **1106** and **1107** adopts a multilayer structure. The multilayer structure includes an aluminum alloy layer and a nitride layer. The multilayer structure may include layers other than these layers. The aluminum alloy layer and the nitride layer are stacked. The aluminum alloy layer is made of aluminum alloy. The nitride layer is made of nitride of aluminum alloy. The multilayer structure lowers an electrical resistance of excitation wires and detection wires, and lowers a reflectance of light in the detectable area. The aluminum alloy layer may be replaced with a layer made of another conductive material, and the nitride layer may be replaced with a layer made of nitride made of the other conductive material. For example, the aluminum alloy layer may be replaced with a layer made of a metal wire material such as aluminum or copper or an alloy wire material such as copper alloy other than aluminum alloy.

Each of the row direction wires **1080**, **1081**, **1082**, **1083**, **1084** and **1085** may include a single layer structure, and each of the column direction wires **1100**, **1101**, **1102**, **1103**, **1104**, **1105**, **1106** and **1107** may include a single layer structure. The single layer structure is made of a transparent wire material such as indium tin oxide (ITO), a metal wire material such as aluminum or copper, or an alloy wire material such as aluminum alloy or copper alloy.

The inter-layer insulation film **1022** and the protection film **1024** are made of silicon nitride or silicon oxide, have light-transmissiveness and an insulation property, and are transparent insulation films. It is also allowable that the inter-layer insulation film **1022** and the protection film **1024** are made of another insulation material.

The pressure sensitive adhesive layer **1025** is made of a pressure sensitive adhesive. The pressure sensitive adhesive layer **1025** made of the pressure sensitive adhesive may be replaced with an adhesive layer made of an adhesive.

1.5 Mechanism for Specifying Touch Position

The row direction wires **1080**, **1081**, **1082**, **1083**, **1084** and **1085** are the excitation wires. The column direction wires **1100**, **1101**, **1102**, **1103**, **1104**, **1105**, **1106** and **1107** are the detection wires. It is also allowable that the row direction wires **1080**, **1081**, **1082**, **1083**, **1084** and **1085** are the detection wires, and the column direction wires **1100**, **1101**, **1102**, **1103**, **1104**, **1105**, **1106** and **1107** are the excitation wires.

When another main surface **1140** of the transparent substrate **1026** is touched by the pointing body, capacitance coupling, i.e., a touch capacitance is produced between the pointing body and the row direction wires **1080**, **1081**, **1082**, **1083**, **1084** or **1085** or the column direction wires **1100**, **1101**, **1102**, **1103**, **1104**, **1105**, **1106** or **1107**. When the mutual capacitive system is employed, a change in the

mutual capacitance between the row direction wires **1080**, **1081**, **1082**, **1083**, **1084** or **1085** and the column direction wires **1100**, **1101**, **1102**, **1103**, **1104**, **1105**, **1106** or **1107** caused by the production of the touch capacitance is detected, and which position of the detectable area is touched is specified.

1.6 Arrangement of Lead Wires, Dummy Lead Wire and Terminal

As illustrated in FIG. 3, the touch screen **1000** includes lead wires **1160**, **1161**, **1162**, **1163**, **1164** and **1165**, lead wires **1180**, **1181**, **1182**, **1183**, **1184**, **1185**, **1186** and **1187**, a dummy lead wire **1200** and a terminal **1220**.

The row direction wires **1080**, **1081**, **1082**, **1083**, **1084** and **1085** are electrically connected to the terminal **1220** by the lead wires **1160**, **1161**, **1162**, **1163**, **1164** and **1165**, respectively. The column direction wires **1100**, **1101**, **1102**, **1103**, **1104**, **1105**, **1106** and **1107** are electrically connected to the terminal **1220** by the lead wires **1180**, **1181**, **1182**, **1183**, **1184**, **1185**, **1186** and **1187**, respectively. The terminal **1220** is electrically connected with external wires. The dummy lead wire **1200** is disposed between the lead wire **1165** and the lead wire **1187**.

The lead wires **1160**, **1161**, **1162**, **1163**, **1164** and **1165** and the lead wires **1180**, **1181**, **1182**, **1183**, **1184**, **1185**, **1186** and **1187** are disposed close to each other at an outer rim portion of the detectable area. The shortest lead wire **1165** of the lead wires **1160**, **1161**, **1162**, **1163**, **1164** and **1165** is disposed at an innermost side, and the other lead wires **1160**, **1161**, **1162**, **1163** and **1164** are disposed along the lead wire **1165**. The shortest lead wire **1183** of the lead wires **1180**, **1181**, **1182**, **1183**, **1184**, **1185**, **1186** and **1187** is a reference, and the other lead wires **1180**, **1181**, **1182**, **1184**, **1185**, **1186** and **1187** are disposed along the lead wire **1183**.

1.7 Planar Shapes of Upper Electrode and Lower Electrode

A schematic view of FIG. 4 is an enlarged plan view illustrating the upper electrode and the lower electrode of the touch screen according to the first preferred embodiment.

FIG. 4 illustrates an area including nine sensor units which configure three rows and three columns. FIG. 4 illustrates the rectangle **1120** illustrating one sensor unit.

As illustrated in FIG. 4, each of the column direction wires **1100**, **1101**, **1102**, **1103**, **1104**, **1105**, **1106** and **1107** includes a linear portion **1220**, and includes a plurality of repetition units each including branch portions **1240**, **1241**, **1242**, **1243**, **1244** and **1245**. A plurality of repetition units is regularly aligned in the column direction. The linear portion **1220** extends in the column direction. The branch portions **1240**, **1241** and **1242** are branched from the linear portion **1220** toward one side and respectively include extended portions **1260**, **1261**, and **1262** which extend in the row direction. The branch portions **1243**, **1244** and **1245** are branched from the linear portion **1220** toward the other side and respectively include extended portions **1263**, **1264**, and **1265** which extend in the row direction. The linear portion **1220** is arranged over the six sensor units aligned in the column direction. Each of the branch portions **1240**, **1242**, **1243** and **1245** is disposed to fit in one sensor unit. Each of the branch portions **1241** and **1244** is disposed across two sensor units neighboring in the column direction.

Each of the row direction wires **1080**, **1081**, **1082**, **1083**, **1084** and **1085** includes a linear portion **1280**, and includes a plurality of repetition units each including branch portions **1300** and **1301**. A plurality of repetition units is regularly aligned in the row direction. The linear portion **1280** extends in the row direction. The branch portion **1300** is branched from the linear portion **1280** toward one side and includes an

extended portion **1320** which extends in the column direction and an extended portion **1321** which extends in the row direction. The branch portion **1301** is branched from the linear portion **1280** toward the other side and includes an extended portion **1322** which extends in the column direction and an extended portion **1323** which extends in the row direction. The linear portion **1280** is disposed across eight sensor units aligned in the row direction. Each of the branch portions **1300** and **1301** is disposed across two sensor units neighboring in the row direction.

The linear portion **1220** which extends in the column direction may be replaced with a linear portion which extends in a direction different from the column direction. The linear portion **1280** which extends in the row direction may be replaced with a linear portion which extends in a direction other than the row direction. In this regard, the direction in which the linear portion of the latter extends is not parallel to a direction in which the linear portion of the former extends.

The branch portions **1240**, **1241**, **1242**, **1243**, **1244** and **1245** having belt-like planar shapes may be replaced with branch portions having other planar shapes. The branch portions **1300** and **1301** having belt-like planar shapes including T-shaped branches may be replaced with branch portions having other planar shapes.

The linear portion **1280** three-dimensionally intersects the linear portion **1220**, yet does not three-dimensionally intersect the branch portions **1240**, **1241**, **1242**, **1243**, **1244** and **1245**. The linear portion **1280** three-dimensionally intersects the linear portion **1220**, and therefore the linear portion **1280** is separated from the linear portion **1220** in the normal direction of the one main surface **1060** of the transparent substrate **1020** such that the linear portion **1280** is not in contact with the linear portion **1220** at a three-dimensional intersection position.

The branch portions **1300** and **1301** include rim portions **1340** and **1341**, respectively. The rim portions **1340** and **1341** go along outlines of the branch portions **1300** and **1301**, respectively. At the branch portion **1300**, a cavity portion **1360** surrounded by the rim portion **1340** and the linear portion **1280** is formed. At the branch portion **1301**, a cavity portion **1361** surrounded by the rim portion **1341** and the linear portion **1280** is formed. The rim portions **1340** and **1341** are provided with patterns having electrical conductivity yet the cavity portions **1360** and **1361** are not provided with patterns having electrical conductivity. When seen in a plan view in the normal direction of the one main surface **1060** of the transparent substrate **1020**, the rim portions **1340** and **1341** include portions parallel along the outlines of the linear portion **1220**, the branch portion **1240**, the branch portion **1241**, the branch portion **1242**, the branch portion **1243**, the branch portion **1244** or the branch portion **1245**, yet do not include a portion parallel along the outline of the linear portion **1280**. That the rim portions are parallel along the outline refers to that the rim portion is parallel to the outline, is disposed with a gap from the outline and extends. A portion of the rim portion **1340** parallel along the outline of the linear portion **1220**, the branch portion **1240**, the branch portion **1241**, the branch portion **1242**, the branch portion **1243**, the branch portion **1244** or the branch portion **1245** is a main portion of the rim portion **1340**, and desirably occupies half or more of the rim portion **1340**. A portion of the rim portion **1341** parallel along the outline of the linear portion **1220**, the branch portion **1240**, the branch portion **1241**, the branch portion **1242**, the branch portion **1243**, the branch portion **1244** or the branch portion **1245** is a main

portion of the rim portion **1341**, and desirably occupies half or more of the rim portion **1341**.

The rim portions **1340** and **1341** include portions parallel along the outline of the linear portion **1220**, the branch portion **1240**, the branch portion **1241**, the branch portion **1242**, the branch portion **1243**, the branch portion **1244** or the branch portion **1245**. Consequently, a distance from the excitation wires to the detection wires is short, a capacitance is formed between the excitation wires and the detection wires, and a position coordinate indicating a touch position is specified based on a change in the capacitance when there is a touch by the pointing body which is a conductor.

Further, the cavity portions **1360** and **1361** are formed at the branch portions **1300** and **1301** respectively, so that the coupling capacitance between the excitation wires and the detection wires is low, and the coupling capacitance between the pointing body, and the excitation wires and the detection wires is high. Further, a ground capacitance between the excitation wires and the ground is low. By this means, even when the distance from the excitation wires and the detection wires to the pointing body is long, it is possible to detect a change in the mutual capacitance and specify the position coordinate indicating the touch position. This will be described in detail in a section of "5 Comparison between First Preferred Embodiment and Reference Example".

Widths **W1** of the extended portions **1260**, **1261**, **1262**, **1263**, **1264** and **1265** are the same as widths **W2** of the extended portions **1321** and **1323**. The width of each extended portion which is each of the extended portions **1260**, **1261**, **1262**, **1263**, **1264**, **1265**, **1321** and **1323** is a size of each extended portion in a direction vertical to a direction in which each extended portion extends.

2 Second Preferred Embodiment

The second preferred embodiment relates to an upper electrode and a lower electrode respectively replaced from an upper electrode and a lower electrode of a touch screen according to the first preferred embodiment.

FIG. 5 is an enlarged plan view illustrating the upper electrode and the lower electrode according to the second preferred embodiment.

A main difference between the first preferred embodiment and the second preferred embodiment is that, while a width **W1** is the same as a width **W2** in the first preferred embodiment, the width **W1** is narrower than the width **W2** in the second preferred embodiment.

An upper electrode **2023** illustrated in FIG. 5 includes column direction wires **2103**, **2104**, **2105** and so on. A lower electrode **2021** illustrated in FIG. 5 includes row direction wires **2081**, **2082**, **2083** and so on.

Each of the column direction wires **2103**, **2104**, **2105** and so on includes a linear portion **2220**, and includes a plurality of repetition units each including branch portions **2240**, **2241**, **2242**, **2243**, **2244** and **2245**. The linear portion **2220** extends in the column direction. The branch portions **2240**, **2241** and **2242** are branched from the linear portion **2220** toward one side and respectively include extended portions **2260**, **2261** and **2262** which extend in a row direction. The branch portions **2243**, **2244** and **2245** are branched from the linear portion **2220** toward the other side and respectively include extended portions **2263**, **2264** and **2265** which extend in the row direction.

Each of the row direction wires **2081**, **2082**, **2083** and so on includes a linear portion **2280**, and includes a plurality of repetition units each including branch portions **2300** and **2301**. The linear portion **2280** extends in the row direction.

11

The branch portion **2300** is branched from the linear portion **2280** toward one side and includes an extended portion **2320** which extends in a column direction and an extended portion **2321** which extends in the row direction. The branch portion **2301** is branched from the linear portion **2280** toward the other side and includes an extended portion **2322** which extends in the column direction and an extended portion **2323** which extends in the row direction.

The linear portion **2280** three-dimensionally intersects the linear portion **2220**, yet does not three-dimensionally intersect the branch portions **2240**, **2241**, **2242**, **2243**, **2244** and **2245**.

The branch portions **2300** and **2301** include rim portions **2340** and **2341**, respectively. At the branch portion **2300**, a cavity portion **2360** surrounded by the rim portion **2340** and the linear portion **2280** is formed. At the branch portion **2301**, a cavity portion **2361** surrounded by the rim portion **2341** and the linear portion **2280** is formed. When seen in a plan view in a normal direction of one main surface **1060** of a transparent substrate **1020**, the rim portions **2340** and **2341** include portions parallel along an outline of the linear portion **2220**, the branch portion **2240**, the branch portion **2241**, the branch portion **2242**, the branch portion **2243**, the branch portion **2244** and the branch portion **2245**, yet do not include a portion parallel along an outline of the linear portion **2280**.

The rim portions **2340** and **2341** include the portions parallel along the outline of the linear portion **2220**, the branch portion **2240**, the branch portion **2241**, the branch portion **2242**, the branch portion **2243**, the branch portion **2244** or the branch portion **2245**. Consequently, a distance from excitation wires to detection wires is short, a capacitance is formed between the excitation wires and the detection wires, and a position coordinate indicating a touch position is specified based on a change in the capacitance when there is a touch by a pointing body.

Further, the cavity portions **2360** and **2361** are formed at the branch portions **2300** and **2301** respectively, so that the coupling capacitance between the excitation wires and the detection wires is low, and a coupling capacitance between the pointing body, and the excitation wires and the detection wires is high. Further, a ground capacitance between the excitation wires and a ground is low. Consequently, even when a distance from the excitation wires and the detection wires to the pointing body is long, it is possible to detect a change in a mutual capacitance, and specify a position coordinate indicating a touch position.

The widths **W1** of the extended portions **2260**, **2261**, **2262**, **2263**, **2264** and **2265** are narrower than the widths **W2** of the extended portions **2321** and **2323**. For example, the widths **W1** are half the widths **W2**. The widths **W1** are narrower than the widths **W2**. An electric field produced between the extended portions **2260**, **2261**, **2262**, **2263**, **2264** and **2265** and the extended portions **2321** and **2323** is different from an electric field produced between extended portions **1260**, **1261**, **1262**, **1263**, **1264** and **1265** and extended portions **1321** and **1323**, and a position at which the electric field of the former reaches differs from a position at which the electric field of the latter reaches. This means that, by adjusting a ratio of the widths **W2** with respect to the widths **W1** according to the thickness of a transparent substrate **1026**, it is possible to increase a touch capacitance and improve touch position detection capability. This will be described in detail in a section "6 Comparison between First Preferred embodiment, Second Preferred Embodiment and Reference Example".

12

FIG. 6 is an enlarged plan view illustrating a dummy pattern which is desirably added to the upper electrode and the lower electrode according to the second preferred embodiment.

A dummy pattern **2400** illustrated in FIG. 6 fills the cavity portions **2360** and **2361**, and a gap between the upper electrode **2023** and the lower electrode **2021**. The dummy pattern **2400** is made of an insulation body, and does not electrically conduct with the upper electrode **2023** and the lower electrode **2021**. The dummy pattern **2400** makes the outline of the upper electrode **2023** and the outline of the lower electrode **2021** hardly visible, and provides a good-looking touch screen. The dummy pattern **2400** does not lose an advantage according to the second preferred embodiment.

The same dummy pattern may be added to an upper electrode **1023** and a lower electrode **1021** of a touch screen **1000** according to the above first preferred embodiment. The same dummy pattern may be added to an upper electrode and a lower electrode according to a third preferred embodiment described below.

3 Third Preferred Embodiment

The third preferred embodiment relates to an upper electrode and a lower electrode respectively replaced from an upper electrode and a lower electrode of a touch screen according to the first preferred embodiment.

A schematic view of FIG. 7 is an enlarged plan view illustrating the upper electrode and the lower electrode according to the third preferred embodiment.

An upper electrode **3023** illustrated in FIG. 7 includes column direction wires **3103**, **3104**, **3105** and so on. A lower electrode **3021** illustrated in FIG. 7 includes row direction wires **3081**, **3082**, **3083** and so on.

Each of the column direction wires **3103**, **3104**, **3105** and so on includes a linear portion **3220**, and includes a plurality of repetition units each including branch portions **3240**, **3241**, **3242**, **3243**, **3244** and **3245**. The linear portion **3220** extends in a column direction. The branch portion **3240** is branched from the linear portion **3220** toward one side and includes an extended portion **3260** which extends in a direction inclining at 45° from a row direction. The branch portion **3241** is branched from the linear portion **3220** toward one side and includes an extended portion **3261** which extends in the row direction. The branch portion **3242** is branched from the linear portion **3220** toward one side and includes an extended portion **3262** which extends in a direction inclining at 45° from the row direction. The extended portion **3262** is symmetrical with respect to the extended portion **3260** around the extended portion **3261**. The branch portion **3243** is branched from the linear portion **3220** toward the other side and includes an extended portion **3263** which extends in the direction inclining at 45° from the row direction. The branch portion **3244** is branched from the linear portion **3220** toward the other side and includes an extended portion **3264** which extends in the row direction. The branch portion **3245** is branched from the linear portion **3220** toward the other side and includes an extended portion **3265** which extends in the direction inclining at 45° from the row direction. The extended portion **3265** is symmetrical with respect to the extended portion **3263** around the extended portion **3264**.

Each of the row direction wires **3081**, **3082**, **3083** and so on includes a linear portion **3280**, and includes a plurality of repetition units each including branch portions **3300**, **3301**, **3302**, **3303**, **3304**, **3305**, **3306** and **3307**. The linear portion

3280 extends in the row direction. Each of the branch portions **3300**, **3301**, **3302** and **3303** is branched from the linear portion **3280** toward one side. Each of the branch portions **3304**, **3305**, **3306** and **3307** is branched from the linear portion **3280** toward the other side.

The linear portion **3280** three-dimensionally intersects the linear portion **3220**, yet does not three-dimensionally intersect the branch portions **3240**, **3241**, **3242**, **3243**, **3244** and **3245**.

The branch portions **3300**, **3301**, **3302**, **3303**, **3304**, **3305**, **3306** and **3307** include rim portions **3340**, **3341**, **3342**, **3343**, **3344**, **3345**, **3346** and **3347**, respectively. At the branch portion **3300**, a cavity portion **3360** surrounded by the rim portion **3340** and the linear portion **3280** is formed. At the branch portion **3301**, a cavity portion **3361** surrounded by the rim portion **3341** and the linear portion **3280** is formed. At the branch portion **3302**, a cavity portion **3362** surrounded by the rim portion **3342** and the linear portion **3280** is formed. At the branch portion **3303**, a cavity portion **3363** surrounded by the rim portion **3343** and the linear portion **3280** is formed. At the branch portion **3304**, a cavity portion **3364** surrounded by the rim portion **3344** and the linear portion **3280** is formed. At the branch portion **3305**, a cavity portion **3365** surrounded by the rim portion **3345** and the linear portion **3280** is formed. At the branch portion **3306**, a cavity portion **3366** surrounded by the rim portion **3346** and the linear portion **3280** is formed. At the branch portion **3307**, a cavity portion **3367** surrounded by the rim portion **3347** and the linear portion **3280** is formed. The rim portions **3340**, **3341**, **3342**, **3343**, **3344**, **3345**, **3346** and **3347** are provided with patterns having electrical conductivity yet the cavity portions **3360**, **3361**, **3362**, **3363**, **3364**, **3365**, **3366** and **3367** are not provided with patterns having electrical conductivity. When seen in a plan view in a normal direction of one main surface **1060** of a transparent substrate **1020**, the rim portions **3340**, **3341**, **3342**, **3343**, **3344**, **3345**, **3346** and **3347** include portions parallel along an outline of the linear portion **3220**, the branch portion **3240**, the branch portion **3241**, the branch portion **3242**, the branch portion **3243**, the branch portion **3244** or the branch portion **3245**, yet do not include a portion parallel along an outline of the linear portion **3280**.

While branch portions **1240**, **1241**, **1242**, **1243**, **1244**, **1245**, **1300** and **1301** have rectangular patterns in the first preferred embodiment, the branch portions **3240**, **3241**, **3242**, **3243**, **3244**, **3245**, **3300**, **3301**, **3302**, **3303**, **3304**, **3305**, **3306** and **3307** have different shape patterns in the third preferred embodiment. However, similarly to the first preferred embodiment, even when a distance from excitation wires and detection wires to a pointing body is long, it is possible to detect a change in a mutual capacitance, and specify a position coordinate indicating a touch position. In the third preferred embodiment, too, by adjusting the widths of the branch portions **3240**, **3241**, **3242**, **3243**, **3244** and **3245** according to the thickness of a transparent substrate **1026**, it is possible to increase a touch capacitance and improve touch position detection capability.

The branch portions **3240**, **3241**, **3242**, **3243**, **3244**, **3245**, **3300**, **3301**, **3302**, **3303**, **3304**, **3305**, **3306** and **3307** having the different shape patterns may be replaced with a branch portion having other different shape patterns. That is, by forming cavity portions at branch portions irrespectively of patterns of the branch portions, it is possible to detect a change in a mutual capacitance and specify a position

coordinate indicating a touch position even when the distance from the excitation wires and the detection wires to a pointing body is long.

4 Reference Example

A schematic view of FIG. **8** is an enlarged plan view illustrating an upper electrode and a lower electrode according to the reference example compared with an upper electrode and a lower electrode according to the first preferred embodiment.

A difference between the first preferred embodiment and the reference example is that, while cavity portions **1360** and **1361** are formed at branch portions **1300** and **1301** in the first preferred embodiment respectively, cavity portions are not formed at branch portions **9300** and **9301** in the reference example.

An upper electrode **9023** illustrated in FIG. **8** includes column direction wires **9103**, **9104**, **9105** and so on. A lower electrode **9021** illustrated in FIG. **8** includes row direction wires **9081**, **9082**, **9083** and so on.

Each of the column direction wires **9103**, **9104**, **9105** and so on includes a linear portion **9220**, and includes a plurality of repetition units each including branch portions **9240**, **9241**, **9242**, **9243**, **9244** and **9245**. The linear portion **9220** extends in a column direction. The branch portions **9240**, **9241** and **9242** are branched from the linear portion **9220** toward one side. The branch portions **9243**, **9244** and **9245** are branched from the linear portion **9220** toward the other side.

Each of the row direction wires **9081**, **9082**, **9083** and so on includes a linear portion **9280**, and includes a plurality of repetition units each including the branch portions **9300** and **9301**. The linear portion **9280** extends in a row direction. The branch portion **9300** is branched from the linear portion **9280** toward one side. The branch portion **9301** is branched from the linear portion **9280** toward the other side.

The linear portion **9280** three-dimensionally intersects the linear portion **9220**, yet does not three-dimensionally intersect the branch portions **9240**, **9241**, **9242**, **9243**, **9244** and **9245**.

The branch portions **9300** and **9301** include rim portions **9340** and **9341**, respectively. However, in the reference example, cavity portions are not formed at the branch portions **9300** and **9301**, and a pattern having electrical conductivity is provided on the entire branch portions **9300** and **9301**. When seen in a plan view in a normal direction of one main surface **1060** of a transparent substrate **1020**, the rim portions **9340** and **9341** include portions parallel along an outline of the linear portion **9220**, the branch portion **9240**, the branch portion **9241**, the branch portion **9242**, the branch portion **9243**, the branch portion **9244** or the branch portion **9245**, yet do not include portions parallel along an outline of the linear portion **9280**.

5 Comparison Between First Preferred Embodiment and Reference Example

FIG. **9** is a cross-sectional view illustrating a display device including a touch screen according to the first preferred embodiment.

A display device **1500** illustrated in FIG. **9** includes a touch screen **1000**, a pressure sensitive adhesive layer **1520** and a display element **1521**. One main surface **1540** of the touch screen **1000** is applied to a main surface **1560** of the display element **1521** with the pressure sensitive adhesive layer **1520** interposed therebetween.

15

FIG. 9 is a cross-sectional view illustrating a cross section at a position of a cut line A-A of FIG. 4, i.e., a cross section vertical to one main surface 1060 of a transparent substrate 1020 and crossing branch portions 1241 and 1300. FIG. 9 illustrates broken lines of electric force 1620 indicating an electric field situation in a case where a finger 1580 touches another main surface 1600 of the touch screen 1000 in a detectable area.

In the display device 1500, a cavity portion 1360 is formed at the branch portion 1300, and a second portion to 1662 of a rim portion 1340 is partitioned from a first portion 1660 of the rim portion 1340 by the cavity portion 1360 when seen from a specific portion 1640 of the branch portion 1241. The second portion 1662 conducts with the first portion 1660. The second portion 1662 is partitioned from the first portion 1660 by the cavity portion 1360. When reaching the branch portion 1300, the lines of electric force 1620 extending from the specific portion 1640 of the branch portion 1241 concentrate on the first portion 1660 relatively close to the specific portion 1640, and the second portion 1662 relatively far from the specific portion 1640.

FIG. 10 is a cross-sectional view illustrating a display device including a touch screen formed by replacing the upper electrode and the lower electrode of the touch screen according to the first preferred embodiment with the upper electrode and the lower electrode according to the reference example.

A display device 9500 illustrated in FIG. 10 includes a touch screen 9000, the pressure sensitive adhesive layer 1520 and the display element 1521. One main surface 9540 of the touch screen 9000 is applied to the main surface 1560 of the display element 1521 with the pressure sensitive adhesive layer 1520 interposed therebetween.

FIG. 10 is a cross-sectional view illustrating a cross section at a position of a cut line B-B of FIG. 8, i.e., a cross section vertical to the one main surface 1060 of the transparent substrate 1020 and crossing branch portions 9241 and 9300. FIG. 10 illustrates broken lines of electric force 9620 illustrating an electric field situation in a case where a finger 1580 touches another main surface 9600 of the touch screen 9000 in a detectable area.

In the display device 9500, a cavity portion is not formed at the branch portion 9300. The cavity portion is not formed at the branch portion 9300, so that, when reaching the branch portion 9300, the lines of electric force 9620 extending from a specific portion 9640 of the branch portion 9241 uniformly spread to the entire branch portion 9300.

As is understandable from comparison between the lines of electric force 9620 illustrated in FIG. 10 and lines of electric force 1620 illustrated in FIG. 9, when the cavity portion 1360 is formed at the branch portion 1300, the lines of electric force 1620 densely concentrate and reach a position distant from excitation wires and detection wires compared to a case where the cavity portion is not formed at the branch portion 9300. The dense concentration of the lines of electric force 1620 means a strong electric field. This is understandable from the Gauss's law.

Hence, when the cavity portion 1360 is formed at the branch portion 1300, a coupling capacitance between the excitation wires and the detection wires is low, an electric field at a position distant from the excitation wires and the detection wires is strong, and a change in the capacitance between the excitation wires and the detection wires in a case where there is a touch by the finger 1580 is great. Further, when the cavity portion 1360 is formed at the branch portion 1300, a capacitance between the excitation wires and the display element is low, and a change in the

16

capacitance between the excitation wires and the detection wires in a case where there is the touch by the finger 1580 is great. Consequently, even when the transparent substrate 1026 is thick, it is possible to detect a position coordinate indicating a touch position.

6 Comparison Between First Preferred Embodiment, Second Preferred Embodiment and Reference Example

FIG. 11 illustrates a graph illustrating a change in a touch capacitance with respect to the thickness of the transparent substrate in a case where patterns of the upper electrode and the lower electrode are as illustrated in each of FIGS. 4, 5 and 8. FIG. 12 illustrates a graph illustrating a change in a ground capacitance with respect to the thickness of the transparent substrate in a case where the patterns of the upper electrode and the lower electrode are as illustrated in each of FIGS. 4, 5 and 8. FIG. 13 illustrates a graph illustrating a change in an improvement effect with respect to the thickness of the transparent substrate in a case where the patterns of the upper electrode and the lower electrode are as illustrated in each of FIGS. 4, 5 and 8.

FIGS. 11, 12 and 13 illustrate the graphs obtained by simulation. According to the simulation, the transparent substrate 1026 is made of a glass material, the thickness of the transparent substrate 1026 is 1.0 mm, 2.0 mm, 5.0 mm and 20.0 mm, and the diameter of a touching finger is 7.0 mm. The improvement effect illustrated in FIG. 13 is an improvement effect of coordinate detection with a touch capacitance and a ground capacitance taken into account.

As illustrated in FIG. 13, the pattern of the upper electrode and the lower electrode illustrated in FIG. 4 can provide an improvement effect of approximately 25% when the thickness of the transparent substrate 1026 is 20.0 mm compared to a case of the pattern of the upper electrode and the lower electrode illustrated in FIG. 8. Further, the pattern of the upper electrode and the lower electrode illustrated in FIG. 5 can provide an improvement effect of approximately 27% when the thickness of the transparent substrate 1026 is 5.0 mm compared to a case of the pattern of the upper electrode and the lower electrode illustrated in FIG. 8. This means that, by adjusting the ratio of the widths W2 with respect to the widths W1, it is possible to adjust the thickness of the transparent substrate 1026 to maximize the improvement effect.

7 Fourth Preferred Embodiment

The fourth preferred embodiment relates to a touch panel.

A schematic view of FIG. 14 is a plan view illustrating the touch panel according to the fourth preferred embodiment.

A touch panel 4000 illustrated in FIG. 14 includes a touch screen 1000 according to the first preferred embodiment, a flexible printed circuit board 4020 and a controller substrate 4021. The touch panel 4000 may include components other than these components. The controller substrate 4021 includes a detection circuit 4060 and an external connection terminal 4061. The controller substrate 4021 may include components other than these components.

The touch screen 1000 according to the first preferred embodiment may be replaced with a touch screen formed by replacing an upper electrode 1023 and a lower electrode 1021 of the touch screen 1000 according to the first preferred embodiment with an upper electrode 2023 and a lower electrode 2021 according to the second preferred embodiment, or may be replaced with a touch screen formed by

replacing the upper electrode **1023** and the lower electrode **1021** of the touch screen **1000** according to the first preferred embodiment with an upper electrode **3023** and a lower electrode **3021** according to the third preferred embodiment.

The flexible printed circuit board **4020** includes a terminal that fits a terminal **1220** near one end of the flexible printed circuit board **4020**. The terminal of the flexible printed circuit board **4020** is electrically connected with the terminal **1220** by an anisotropic conductive film. The other end of the flexible printed circuit board **4020** is electrically connected with the controller substrate **4021**. By this means, row direction wires **1080**, **1081**, **1082**, **1083**, **1084** and **1085** and column direction wires **1100**, **1101**, **1102**, **1103**, **1104**, **1105**, **1106** and **1107** are electrically connected to the controller substrate **4021** via the flexible printed circuit board **4020**.

The flexible printed circuit board **4020** may be replaced with other types of wires. The flexible printed circuit board **4020** may be omitted, and the controller substrate **4021** may be directly connected to the touch screen **1000**. A function of the controller substrate **4021** may be implemented on the touch screen **1000**. For example, the detection circuit **4060** may be mounted on a transparent substrate **1020** instead of the controller substrate **4021**.

The detection circuit **4060** detects a touch position touched by a pointing body on the touch screen **1000** based on a capacitance between the upper electrode **1023** and the lower electrode **1021**. Further, the detection circuit **4060** transmits a signal including a position coordinate indicating the detected touch position, to the external connection terminal **4061**.

The detection circuit **4060** employs a detection logic of a projected capacitive system. The detection circuit **4060** detects a touch position based on the capacitance between the row direction wires **1080**, **1081**, **1082**, **1083**, **1084** and **1085** and the column direction wires **1100**, **1101**, **1102**, **1103**, **1104**, **1105**, **1106** and **1107** influenced by the capacitance between the pointing body, and the row direction wires **1080**, **1081**, **1082**, **1083**, **1084** and **1085** and the column direction wires **1100**, **1101**, **1102**, **1103**, **1104**, **1105**, **1106** and **1107**.

The touch screen **1000** according to the first preferred embodiment is configured to be able to detect a change in a mutual capacitance and specify a position coordinate indicating a touch position even when a distance from excitation wires and detection wires to a pointing body is long. Consequently, the touch panel **4000** including the touch screen **1000** according to the first preferred embodiment has high sensitivity even when the transparent substrate **1026** is thick.

8 Fifth Preferred Embodiment

The fifth preferred embodiment relates to a display device.

A schematic view of FIG. **15** is a cross-sectional view illustrating the display device according to the fifth preferred embodiment.

A display device **5000** illustrated in FIG. **15** includes a liquid crystal display element **5020**, a pressure sensitive adhesive layer **5021** and a touch panel **4000** according to the fourth preferred embodiment. In some cases, the pressure sensitive adhesive layer **5021** is omitted, or the pressure sensitive adhesive layer **5021** is replaced with an adhesive layer.

The liquid crystal display element **5020** is also referred to as a liquid crystal display (LCD) and displays information. The liquid crystal display element **5020** may be replaced

with other types of display elements. For example, the liquid crystal display element **5020** may be replaced with an organic electroluminescence (EL) display element.

The liquid crystal display element **5020** is attached to one main surface **1540** of a touch screen **1000** with the pressure sensitive adhesive layer **5021** interposed therebetween. A pointing body touches another main surface **1600** of the touch screen **1000**. The touch screen **1000** is disposed near a user side compared to a display screen **5040** of the liquid crystal display element **5020**. By this means, it is possible to obtain a display device with a touch panel having a function of detecting a touch position touched by the pointing body.

The touch screen **1000** according to the first preferred embodiment is configured to be able to detect a change in a mutual capacitance and specify a position coordinate indicating a touch position even when a distance from excitation wires and detection wires to the pointing body is long. Consequently, the display device **5000** including the touch screen **1000** according to the first preferred embodiment is a display device with a touch panel of a projected capacitive system which has high sensitivity and high visibility even when a transparent substrate **1026** is thick.

9 Sixth Preferred Embodiment

The sixth preferred embodiment relates to an electronic device.

FIG. **16** is a block diagram illustrating the electronic device according to the sixth preferred embodiment.

An electronic device **6000** illustrated in FIG. **16** includes a touch panel **4000** according to the fourth preferred embodiment and an electronic processing unit **6020**.

The electronic processing unit **6020** receives an input of a signal outputted from an external connection terminal **4061** and including a position coordinate. The electronic processing unit **6020** is configured by a signal processing element which is an electronic element, and performs electronic processing on the position coordinate included in the inputted signal, and outputs a digital signal indicating the position coordinate. The electronic processing unit **6020** which is configured by the signal processing element may be replaced with other types of electronic processing units. For example, the electronic processing unit **6020** which is configured by the signal processing element may be replaced with an electronic processing unit which is configured by an electronic circuit including multiple electronic parts.

The electronic processing unit **6020** is connected to the touch panel **4000**, so that it is possible to obtain an electronic device with a touch position detecting function such as a digitizer which outputs information of a touch position detected by the detection circuit **4060** to an external signal processing device such as a computer.

The signal processing element may be built in the controller substrate **4021**. In this case, the signal processing element is configured to include an output function which complies with a bus standard such as the universal serial bus (USB), so that it is possible to obtain a highly versatile electronic device with a touch position detecting function.

The touch screen **1000** according to the first preferred embodiment is configured to be able to detect a change in a mutual capacitance and specify a position coordinate indicating a touch position even when a distance from excitation wires and detection wires to the pointing body is long. Consequently, the electronic device **6000** including the touch screen **1000** according to the first preferred embodiment is an electronic device with a touch position detecting

19

function of a projected capacitive system which has high sensitivity even when a transparent substrate 1026 is thick.

In this regard, the preferred embodiments of the present invention can be freely combined or optionally modified or omitted without departing from the scope of the present invention.

While the invention has been illustrated and described in detail, the foregoing description is in all aspects illustrative and not restrictive. It is therefore understood that numerous modifications and variations can be devised without departing from the scope of the invention.

What is claimed is:

1. A touch screen comprising:
 - a substrate which includes a main surface;
 - a first electrode which is disposed on said main surface and includes a plurality of first wires, said plurality of first wires [being detection wires, and each of the first wires] including a first linear portion and a plurality of first branch portions, said first linear portion extending in a first direction, said plurality of first branch portions being branched from said first linear portion;
 - an insulation film which is disposed on said main surface; and
 - a second electrode which is disposed on said main surface, is *at least partially* insulated from said first electrode by said insulation film, and includes a plurality of second wires, said plurality of second wires [being excitation wires, and each of the second wires] including a second linear portion and a plurality of second branch portions, said second linear portion extending in a second direction which is not parallel to said first direction, said plurality of second branch portions being branched from said second linear portion, said second linear portion three-dimensionally intersecting said first linear portion and not three-dimensionally intersecting said plurality of first branch portions, said plurality of second branch portions each including a rim portion, *a part of* said second linear portion and said rim portion [surrounding] *forming a border that surrounds* a cavity portion [formed at each of said plurality of second branch portions, said rim portion including a portion parallel along an outline of said first linear portion or said plurality of first branch portions and not including a portion parallel along an outline of said second linear portion], *said rim portion including a first portion parallel along said first linear portion when seen in a plan view in a normal direction of said main surface.*
2. The touch screen according to claim 1, wherein said rim portion *further* includes [a first portion, and] a second portion which conducts with said first portion and is partitioned from said first portion by said cavity portion when seen from said plurality of first branch portions.
3. The touch screen according to claim 1, wherein each of said plurality of first branch portions includes a first extended portion extending in said second direction and having a first width, and each of said plurality of second branch portions includes a second extended portion extending in said second direction and having a second width identical to said first width.
4. The touch screen according to claim 1, wherein each of said plurality of first wires includes a first layer made of indium tin oxide, a metal wire material or an alloy wire material, and

20

each of said plurality of second wires includes a second layer made of indium tin oxide, a metal wire material or an alloy wire material.

5. The touch screen according to claim 1, further comprising a dummy pattern which is made of an insulation body and fills said cavity portion and a gap between said first electrode and said second electrode.

6. A touch screen comprising:

- a substrate which includes a main surface;
 - a first electrode which is disposed on said main surface and includes a plurality of first wires, said plurality of first wires [being excitation wires, and each of the first wires] including a first linear portion and a plurality of first branch portions, said first linear portion extending in a first direction, said plurality of first branch portions being branched from said first linear portion;
 - an insulation film which is disposed on said main surface; and
 - a second electrode which is disposed on said main surface, is *at least partially* insulated from said first electrode by said insulation film, and includes a plurality of second wires, said plurality of second wires [being detection wires, and each of the second wires] including a second linear portion and a plurality of second branch portions, said second linear portion extending in a second direction which is not parallel to said first direction, said plurality of second branch portions being branched from said second linear portion, said second linear portion three-dimensionally intersecting said first linear portion and not three-dimensionally intersecting said plurality of first branch portions, said plurality of second branch portions each including a rim portion, *a part of* said second linear portion and said rim portion [surrounding] *forming a border that surrounds* a cavity portion [formed at each of said plurality of second branch portions], said rim portion including a *first* portion parallel along [an outline of] said first linear portion [or] *and including a second portion parallel along one of* said plurality of first branch portions and not including a portion [parallel along an outline of] *adjacent to* said second linear portion *other than the part of said second linear portion* when seen in a plan view in a normal direction of said main surface.
7. The touch screen according to claim 6, wherein said rim portion includes
 - a first portion, and
 - a second portion which conducts with said first portion and is partitioned from said first portion by said cavity portion when seen from said plurality of first branch portions.]
 8. The touch screen according to claim 6, wherein each of said plurality of first branch portions includes a first extended portion extending in said second direction and having a first width, and each of said plurality of second branch portions includes a second extended portion extending in said second direction and having a second width identical to said first width.
 9. The touch screen according to claim 6, wherein each of said plurality of first wires includes a first layer made of indium tin oxide, a metal wire material or an alloy wire material, and each of said plurality of second wires includes a second layer made of indium tin oxide, a metal wire material or an alloy wire material.

21

10. The touch screen according to claim 6, further comprising a dummy pattern which is made of an insulation body and fills said cavity portion and a gap between said first electrode and said second electrode.

11. The touch screen according to claim 1, wherein said plurality of first wires are detection wires.

12. The touch screen according to claim 1, wherein said plurality of second wires are excitation wires.

13. The touch screen according to claim 1, wherein said rim portion does not include a portion directly adjacent to said second linear portion other than the part of said second linear portion when seen in a plan view in a normal direction of said main surface.

14. The touch screen according to claim 13, wherein a first branch portion of said plurality of first branch portions includes a first edge that is substantially parallel to said first linear portion.

15. The touch screen according to claim 14, wherein said first branch portion further includes a second edge that is substantially parallel to said second linear portion.

22

16. The touch screen according to claim 13, wherein a first branch portion of said plurality of first branch portions includes a first edge that is substantially parallel to said second linear portion.

17. The touch screen according to claim 1, wherein a first branch portion of said plurality of first branch portions includes a first edge that is substantially parallel to said first linear portion.

18. The touch screen according to claim 17, wherein said first branch portion further includes a second edge that is substantially parallel to said second linear portion.

19. The touch screen according to claim 1, wherein a first branch portion of said plurality of first branch portions includes a first edge that is substantially parallel to said second linear portion.

20. The touch screen according to claim 6, wherein a first branch portion of said plurality of first branch portions does not form a rim that has a cavity.

21. The touch screen according to claim 6, wherein said second linear portion is disposed between said plurality of first branch portions.

* * * * *