



US00RE49558E

(19) **United States**
(12) **Reissued Patent**
Nyaggah

(10) **Patent Number: US RE49,558 E**
(45) **Date of Reissued Patent: Jun. 27, 2023**

(54) **BRACELET**

(71) Applicant: **RASTACLAT, LLC**, Long Beach, CA (US)

(72) Inventor: **Daniel Kasidi Nyaggah**, Long Beach, CA (US)

(73) Assignee: **Rastaclat, LLC**, Long Beach, CA (US)

(21) Appl. No.: **29/823,751**

(22) Filed: **Jan. 19, 2022**

Related U.S. Patent Documents

Reissue of:

(64) Patent No.: **Des. 873,165**
Issued: **Jan. 21, 2020**
Appl. No.: **29/666,512**
Filed: **Oct. 12, 2018**

(51) **LOC (14) Cl.** **11-01**

(52) **U.S. Cl.**
USPC **D11/5**

(58) **Field of Classification Search**
USPC D11/2, 3, 4, 5, 6, 7, 8, 9, 10; D2/978;
D28/41

(Continued)

(56) **References Cited**

U.S. PATENT DOCUMENTS

D108,250 S * 2/1938 Sternberg D11/26
D114,516 S * 4/1939 Dick D11/9

(Continued)

OTHER PUBLICATIONS

Rastaclat Facebook page, "Bracelet" published on Oct. 13, 2017, online. Site visited on Jul. 22, 2020. Internet URL:<"https:// www.facebook.com/RastaclatBrand/photos/a.248566711904028/1504367166323970/"> (Year: 2017).

(Continued)

Primary Examiner — Philip S Hyder

(74) *Attorney, Agent, or Firm* — Buchalter; Cecily Anne O'Regan

(57) **CLAIM**

The ornamental design for a bracelet, as shown and described.

DESCRIPTION

FIG. 1 is a front left top perspective view of a bracelet [showing my new design];

FIG. 2 is a front elevation view of the bracelet illustrated in FIG. 1;

FIG. 3 is a rear elevation view of the bracelet illustrated in FIG. 1;

FIG. 4 is a top plan view of the bracelet illustrated in FIG. 1;

FIG. 5 is a bottom plan view of the bracelet illustrated in FIG. 1;

FIG. 6 is a left side elevation view of the bracelet illustrated in FIG. 1; [and,]

FIG. 7 is a right side elevation view of the bracelet illustrated in FIG. 1;

FIG. 8 is a front left top perspective view of a bracelet;

FIG. 9 is a front elevation view of the bracelet illustrated in FIG. 8;

FIG. 10 is a rear elevation view of the bracelet illustrated in FIG. 8;

FIG. 11 is a top plan view of the bracelet illustrated in FIG. 8;

FIG. 12 is a bottom plan view of the bracelet illustrated in FIG. 8;

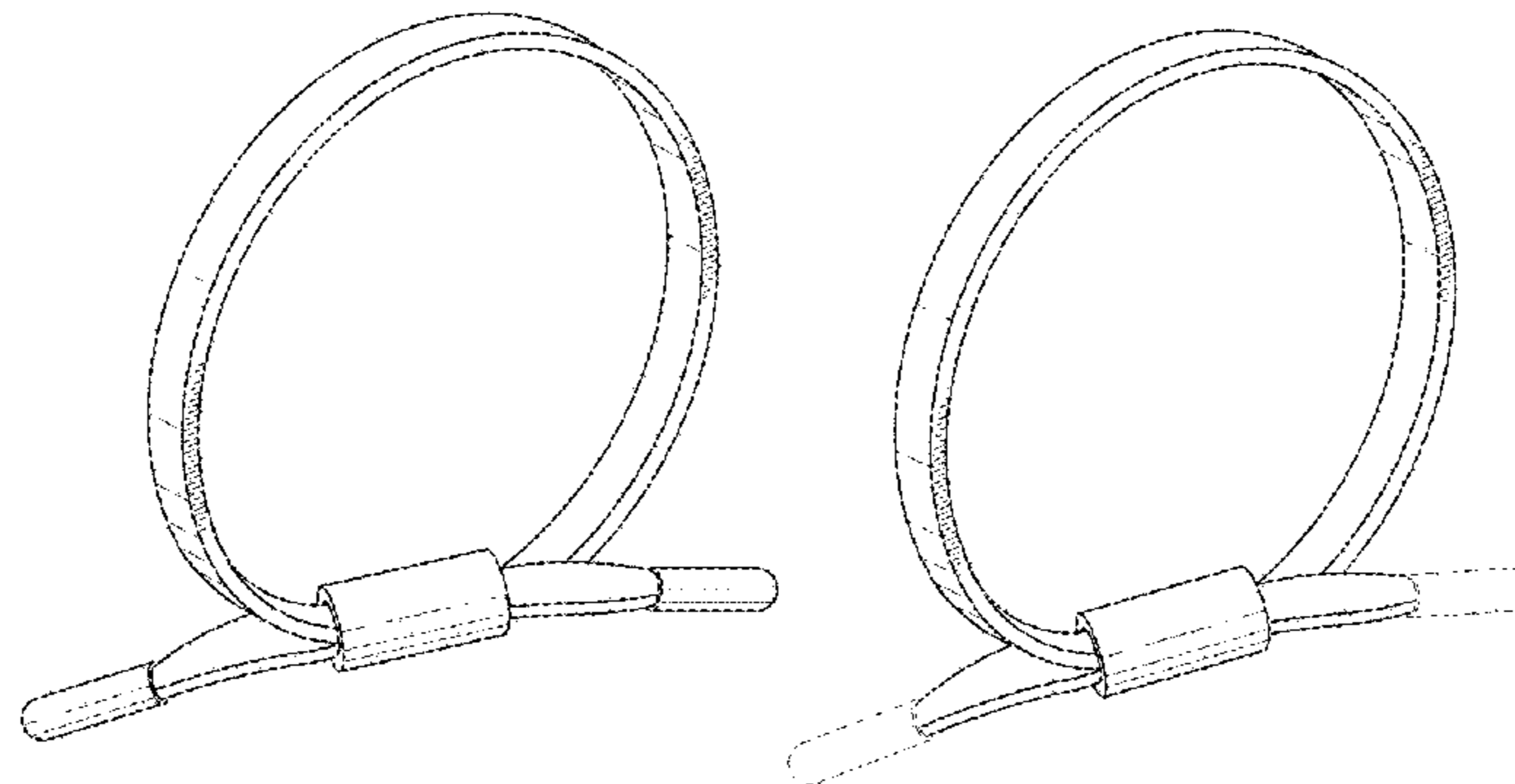
FIG. 13 is a left side elevation view of the bracelet illustrated in FIG. 8; and,

FIG. 14 is a right side elevation view of the bracelet illustrated in FIG. 8.

The broken lines illustrate portions of the bracelet, and form no part of the claimed design.

1 Claim, 8 Drawing Sheets

Matter enclosed in heavy brackets [] appears in the original patent but forms no part of this reissue; matter printed in italics indicates the additions made by reissue.



AMENDED

NEW

(58) **Field of Classification Search**

CPC A44C 5/00; A44C 5/0007; A44C 5/0015;
 A44C 5/003; A44C 5/0053; A44C
 5/0061; A44C 5/0084; A44C 5/0092;
 A44C 5/12; A44C 5/14; A44C 5/142;
 A44C 5/145; A44C 5/16

See application file for complete search history.

(56) **References Cited**

U.S. PATENT DOCUMENTS

D128,297 S * 7/1941 Healy D11/5
 D149,188 S * 4/1948 Katz D11/9
 D163,137 S * 5/1951 Philippe D11/8
 D163,991 S * 7/1951 Chernow D11/8
 3,059,518 A * 10/1962 Nelson A43C 1/02
 D224,257 S * 7/1972 Lee D11/4
 D414,129 S * 9/1999 Clegg D11/4
 D472,180 S * 3/2003 Lee D11/26
 6,560,993 B1 * 5/2003 Bosque et al. A44C 5/0092
 D479,393 S * 9/2003 Weitzman D2/978
 D517,442 S * 3/2006 Polk, III D11/4
 D572,163 S * 7/2008 Parker D11/34
 D573,055 S * 7/2008 Galloway D11/5
 D573,056 S * 7/2008 Sterling D11/11
 D576,511 S * 9/2008 Cunningham D11/8
 D591,634 S * 5/2009 Gorman D11/4
 D604,941 S * 12/2009 Mouton D2/978
 D606,296 S * 12/2009 Mouton D2/978
 D655,637 S * 3/2012 Calderone D11/3
 8,225,626 B1 * 7/2012 Blau G09F 3/005
 D681,498 S * 5/2013 Kornerup D11/16

D684,496 S * 6/2013 Haimoff D11/3
 D712,294 S * 9/2014 Wright D04D 1/02
 D713,283 S * 9/2014 Nghiem D11/3
 D719,044 S * 12/2014 Kasidi D11/5
 D723,966 S * 3/2015 Kasidi D11/5
 D738,771 S * 9/2015 Devries D11/3
 D754,021 S * 4/2016 Nyaggah D11/5
 9,301,580 B1 * 4/2016 Rafaelian A44C 5/22
 D765,535 S * 9/2016 Nyaggah D11/5
 D779,998 S * 2/2017 Rosenbaum D11/5
 D792,262 S * 7/2017 Rosenbaum D11/5
 D823,708 S * 7/2018 Tsai D11/2
 D827,479 S * 9/2018 Saiger D11/5
 D836,016 S * 12/2018 Billington D11/3
 10,278,459 B2 * 5/2019 Stewart A44C 5/0053
 D888,368 S * 6/2020 Hyera D2/859
 2005/0199000 A1 * 9/2005 Grinstead A44C 5/0015
 2011/0048072 A1 * 3/2011 Mullen A44C 5/025
 2016/0262503 A1 * 9/2016 Rizzuto A44C 5/0007
 2016/0278463 A1 * 9/2016 Stevenson A41F 19/00
 2019/0029348 A1 * 1/2019 Stevenson A41F 19/00
 2019/0029374 A1 * 1/2019 Goldberg A44C 5/208
 2019/0239601 A1 * 8/2019 Frietsch A44C 5/003

OTHER PUBLICATIONS

Rastaclat Facebook page, "Yatta Classic Bracelet" published on Jun. 19, 2016, online. Site visited on Jul. 28, 2020. Internet URL:<
 "https://www.facebook.com/RastaclatBrand/photos/a.
 248566711904028/105410637_4683387 /?> (Year: 2016).

* cited by examiner

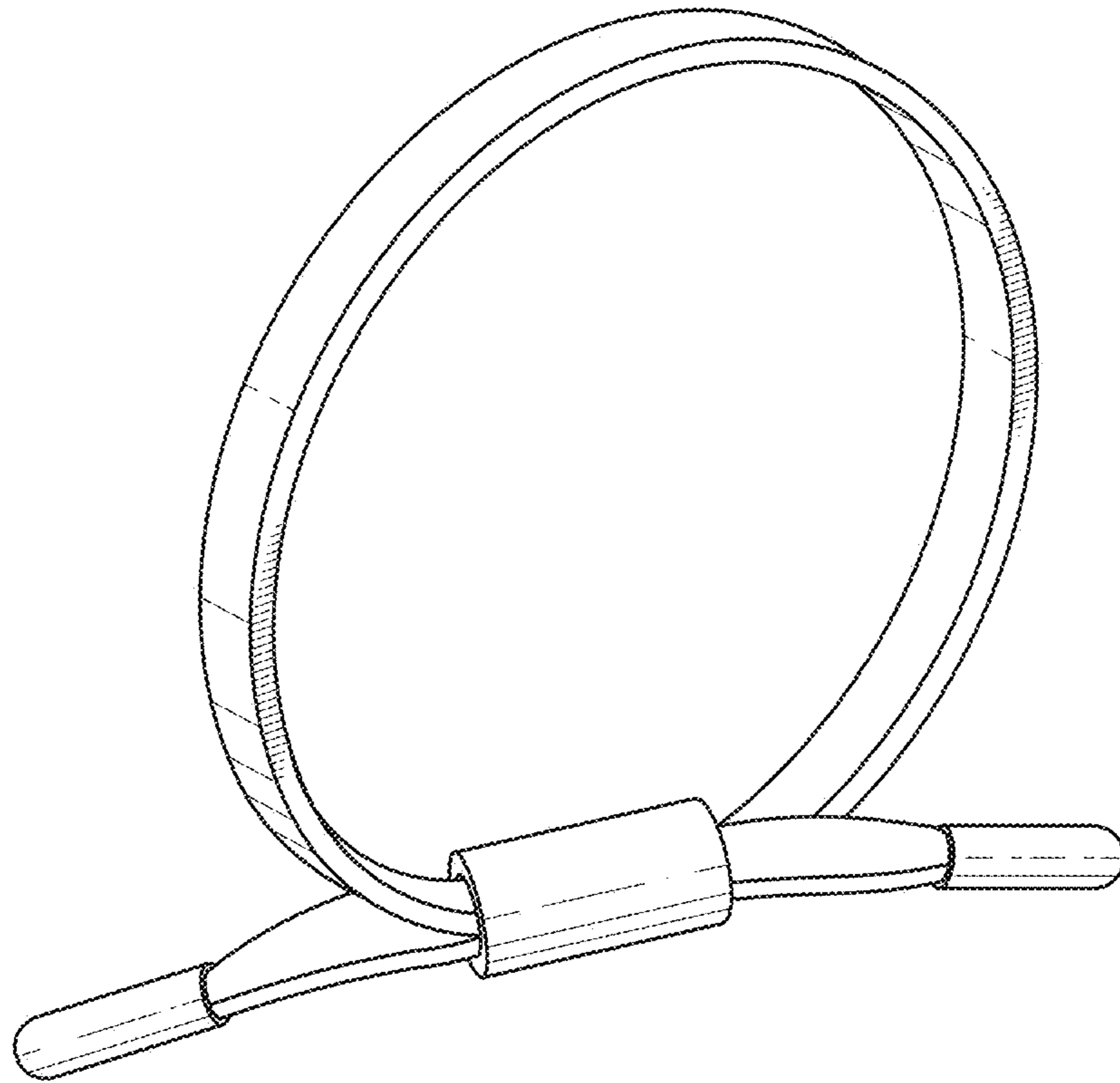


FIG. 1

AMENDED

FIG. 2

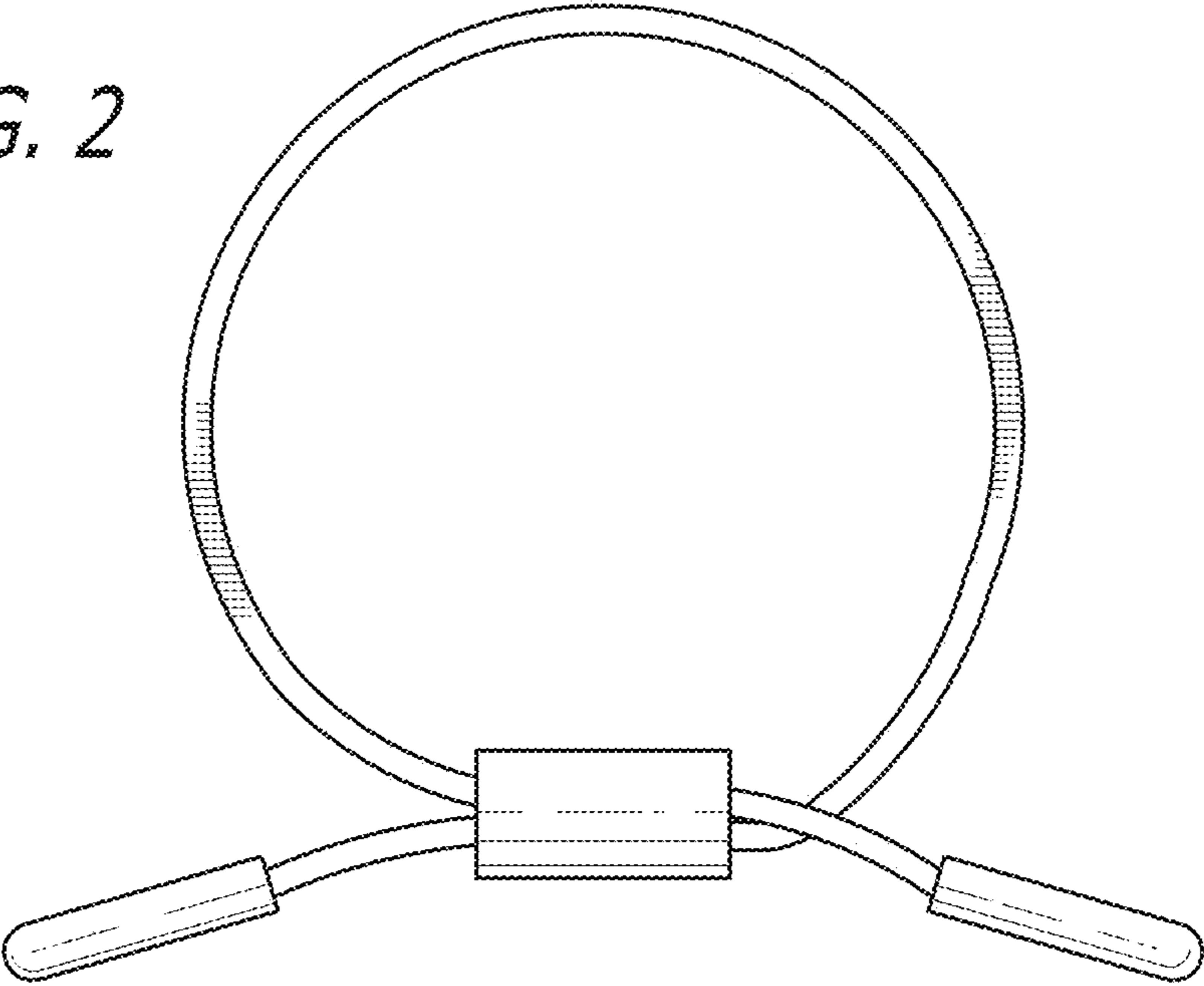


FIG. 3

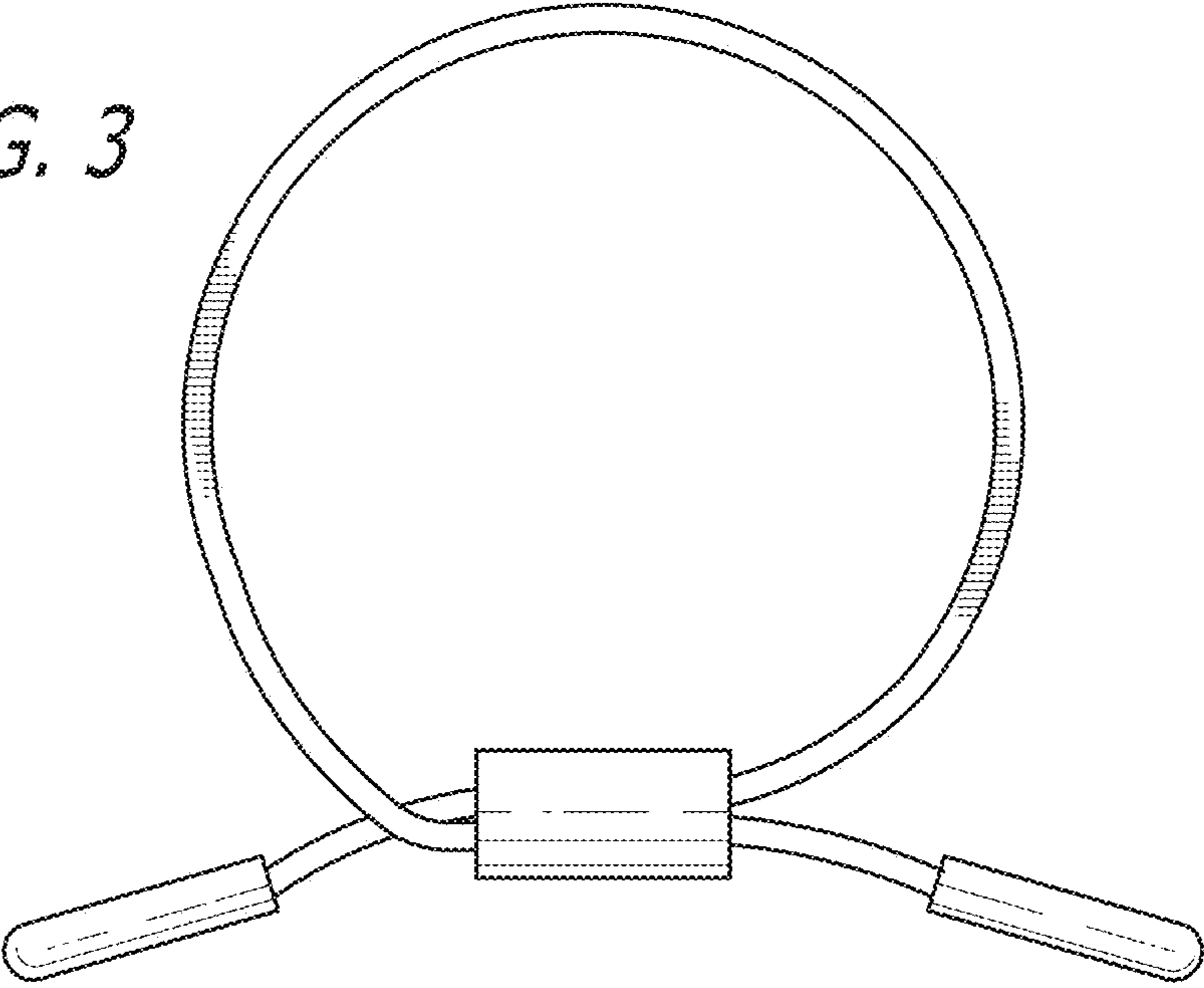




FIG. 4

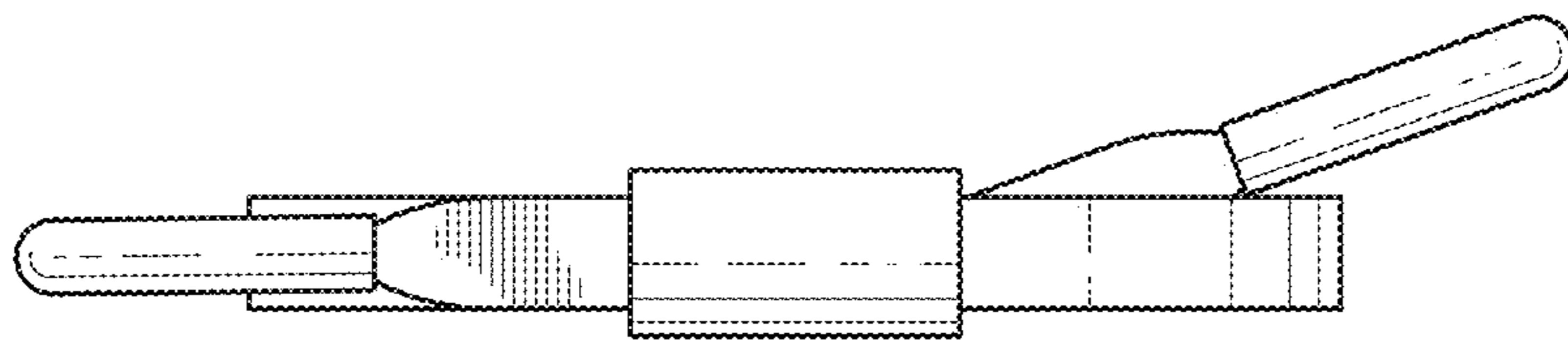


FIG. 5

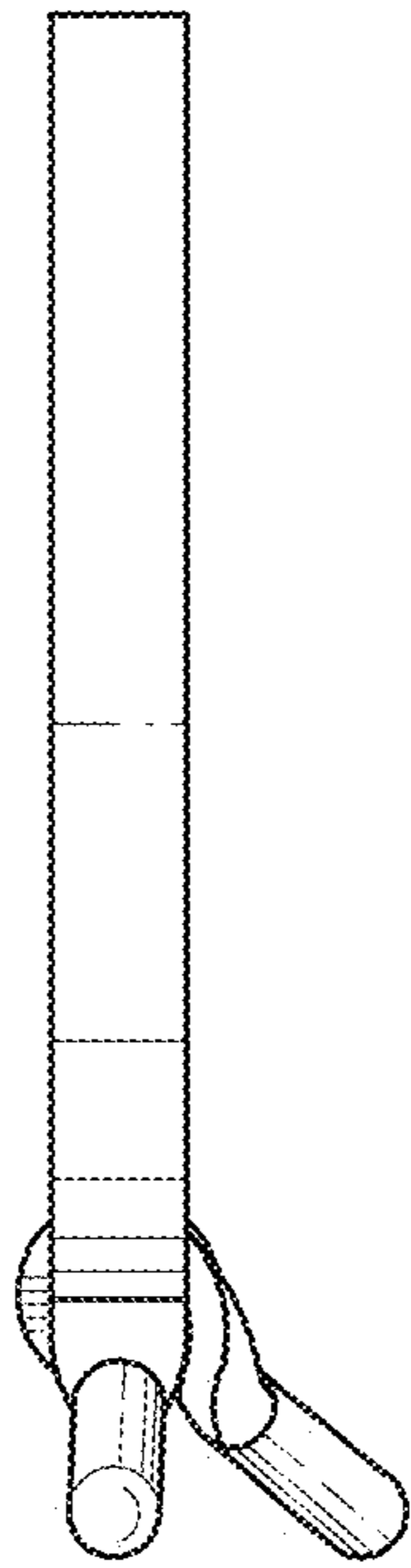


FIG. 6

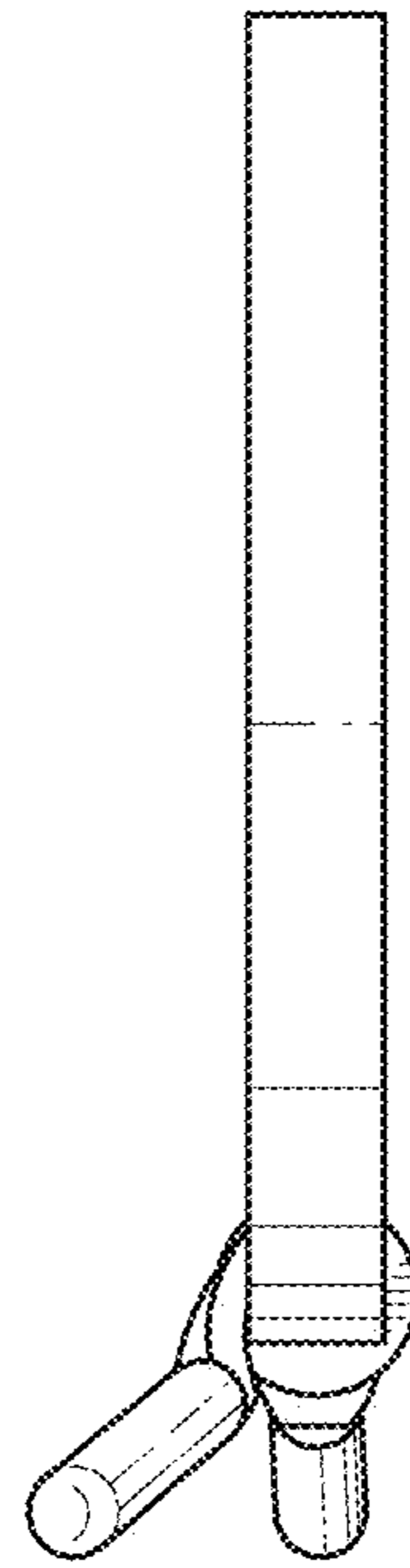


FIG. 7

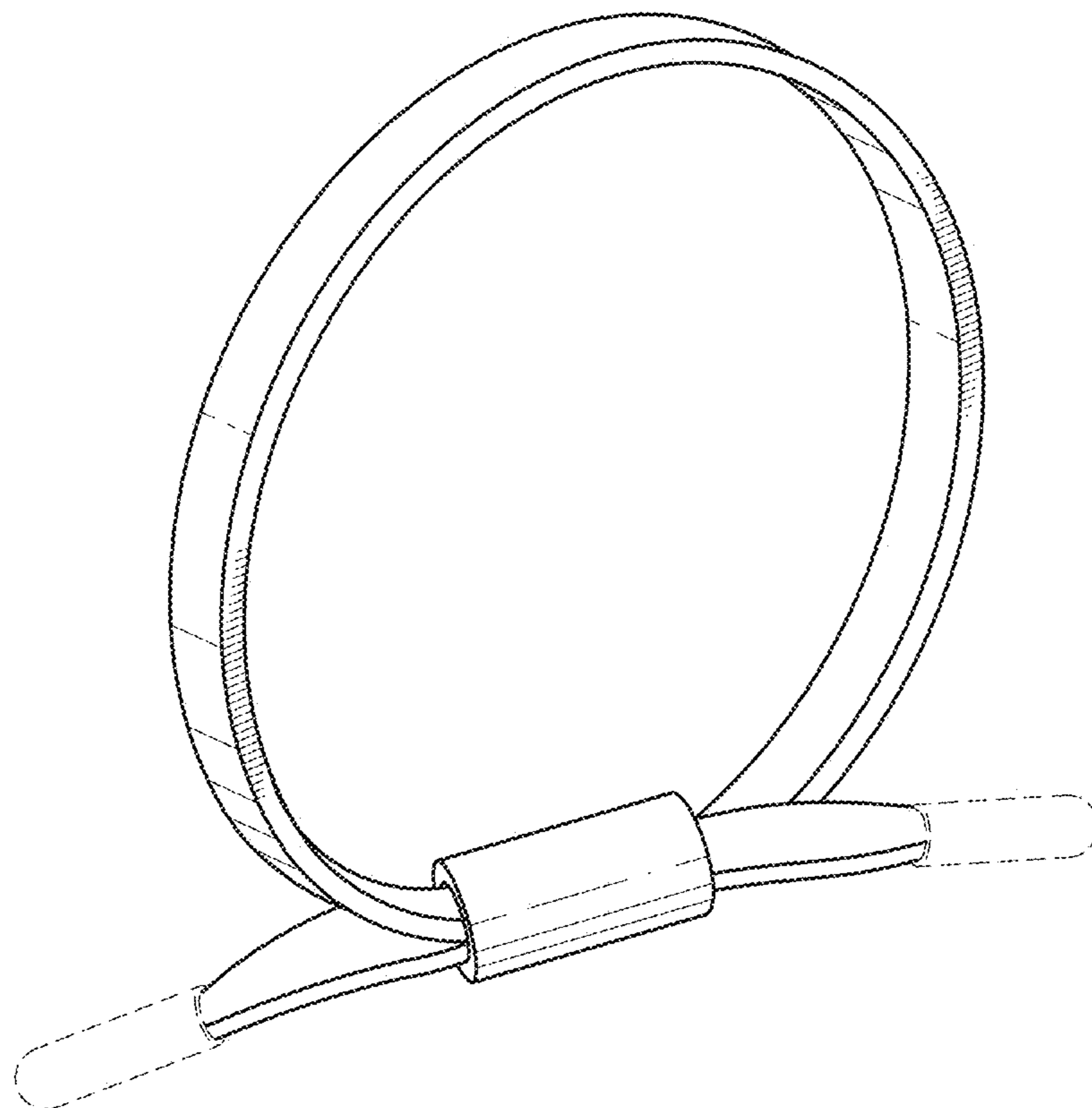


FIG. 8

NEW

FIG. 9
NEW

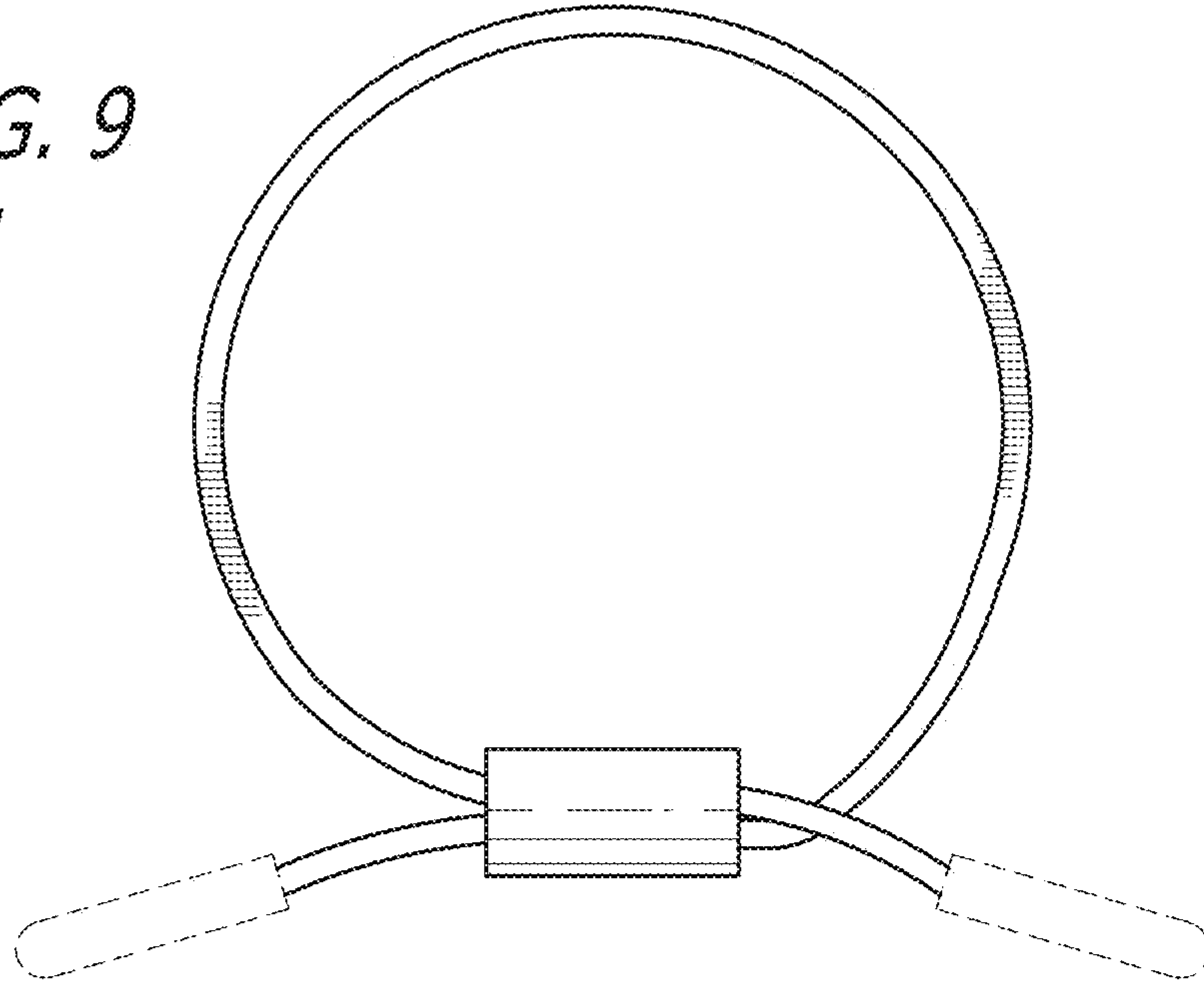


FIG. 10
NEW

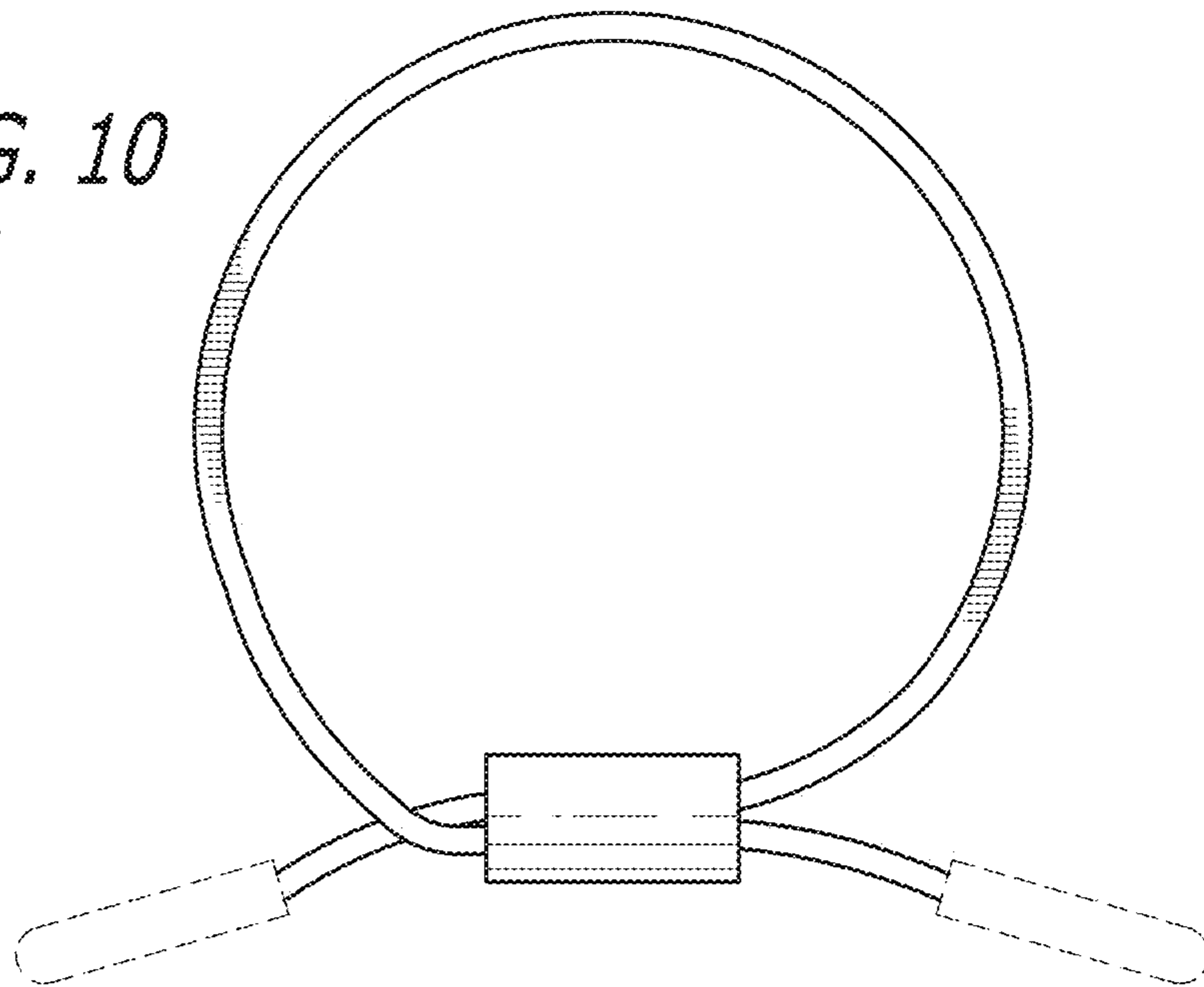




FIG. 11

NEW

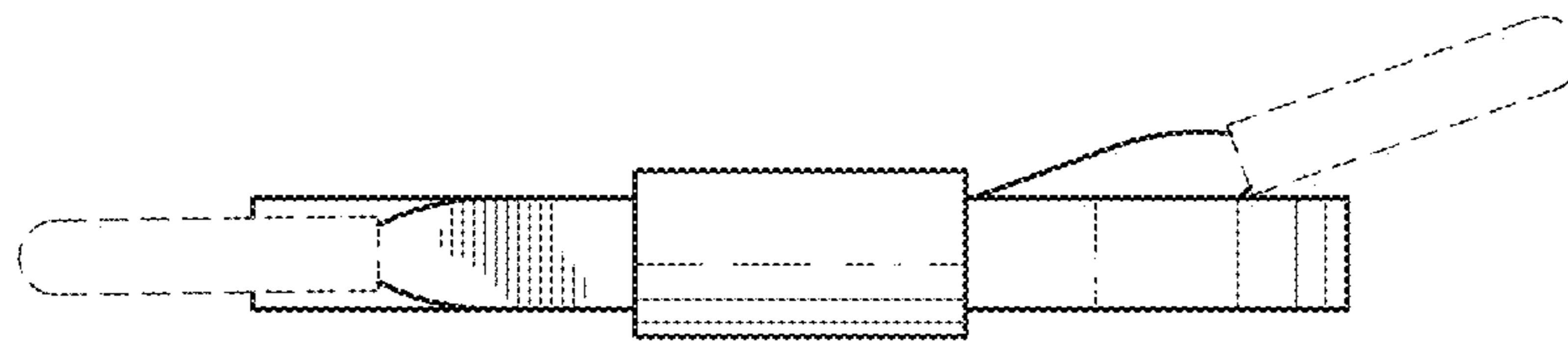


FIG. 12

NEW

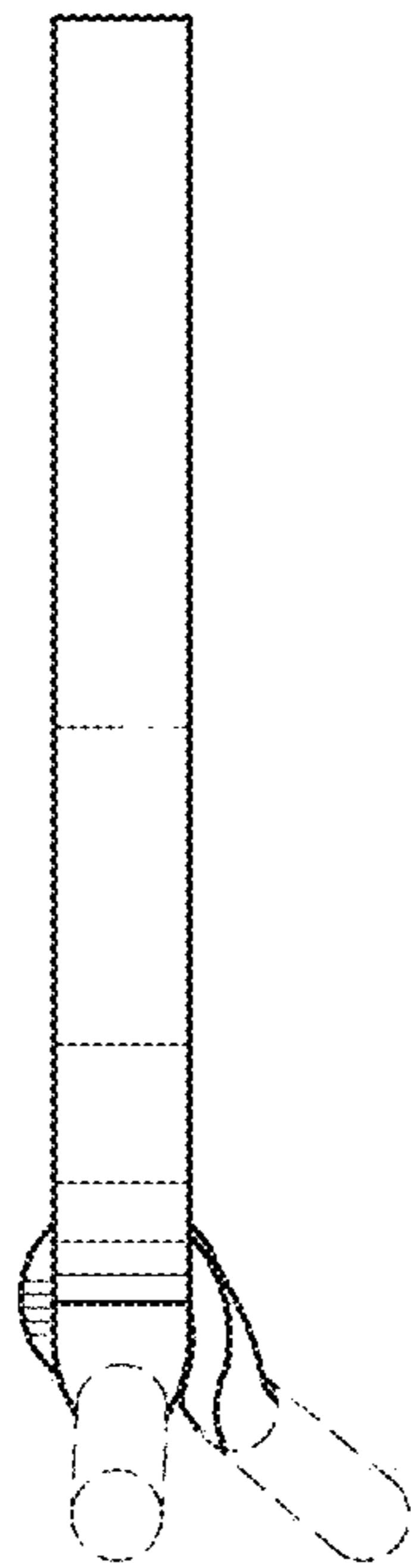


FIG. 13

NEW

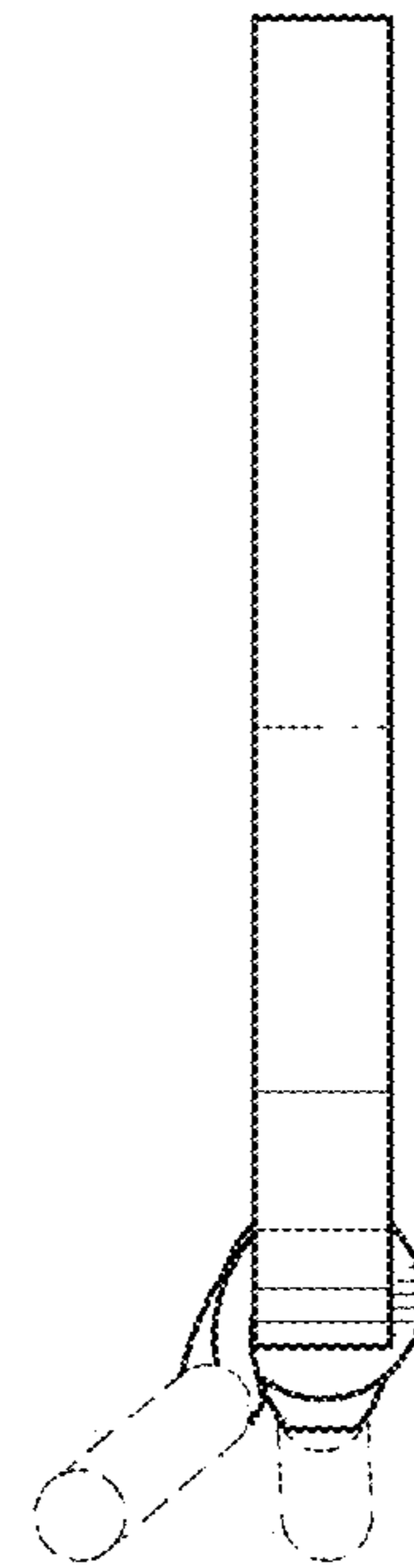


FIG. 14

NEW