



US00RE49553E

(19) **United States**
(12) **Reissued Patent**
Heath

(10) **Patent Number: US RE49,553 E**
(45) **Date of Reissued Patent: Jun. 20, 2023**

(54) **FOOD PRODUCT**

FOREIGN PATENT DOCUMENTS

(71) Applicant: **Mars, Incorporated**, McLean, VA (US)

DE 9509757 8/1996
EP 000206214-0001 7/2004

(72) Inventor: **Guy Heath**, Batley (GB)

(Continued)

(73) Assignee: **Mars, Incorporated**, McLean, VA (US)

OTHER PUBLICATIONS

(21) Appl. No.: **29/793,287**

“Triangle Penne Pasta 17.6 Oz.” Magnifico Food., Jun. 22, 2019 [online], [retrieved on Feb. 19, 2023]. Retrieved from the Internet <URL: <https://www.magnificofood.com/products/artisanal-penne-a-triangolo-17-6-oz>>.*

(22) Filed: **Dec. 14, 2021**

(Continued)

Related U.S. Patent Documents

Reissue of:

(64) Patent No.: **Des. 822,315**
Issued: **Jul. 10, 2018**
Appl. No.: **29/587,631**
Filed: **Dec. 14, 2016**

Primary Examiner — Darlington Ly

(57) **CLAIM**

The ornamental design for a food product, as shown and described.

(51) **LOC (14) Cl.** **01-01**

DESCRIPTION

(52) **U.S. Cl.**

USPC **D1/122**

(58) **Field of Classification Search**

USPC D1/100–130, 199; D11/40, 43, 79;
D24/101–104; D21/484, 499, 503, 622,
D21/756; D23/393, 422; D25/119, 122
CPC A21D 13/0029; A21D 13/0074; A21D
13/0022; A21D 13/0006; A23L 1/1641;
A23L 1/005

See application file for complete search history.

FIG. 1 is a front right perspective view of a food product showing our new design;
FIG. 2 is a front elevation view of the food product shown in FIG. 1;
FIG. 3 is a rear elevation view of the food product shown in FIG. 1;
FIG. 4 is a right side elevation view of the food product shown in FIG. 1;
FIG. 5 is a left side elevation view of the food product shown in FIG. 1;
FIG. 6 is a top plan view of the food product shown in FIG. 1; and,
FIG. 7 is a bottom plan view of the food product shown in FIG. 1.

The broken lines shown in FIGS. 1-7 illustrate portions of the food product that form no part of the claimed design.

(56) **References Cited**

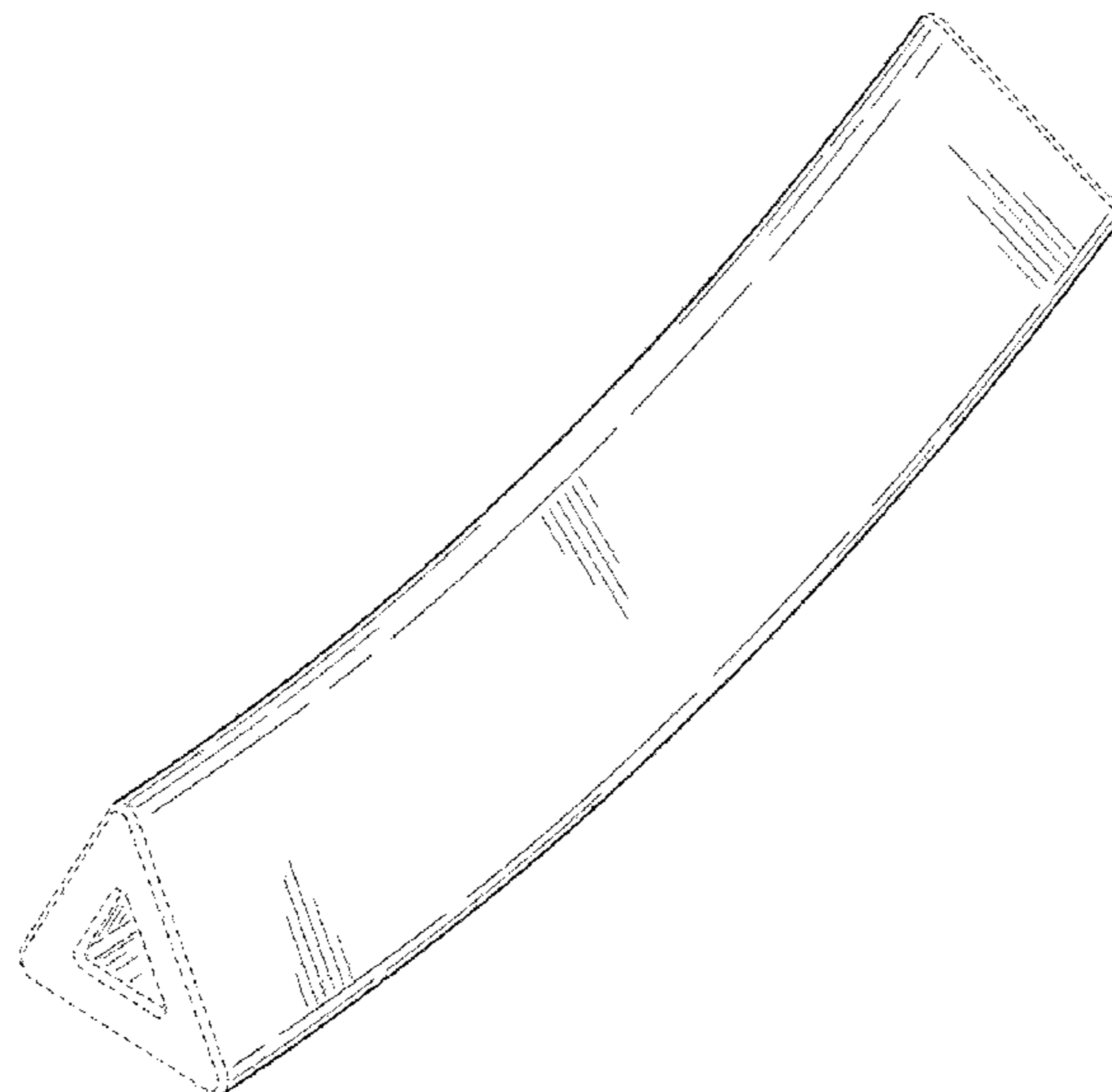
U.S. PATENT DOCUMENTS

57,890 A * 9/1866 Gilson C10L 5/36
44/530
D96,909 S * 9/1935 Huld D7/300.2
D203,807 S * 2/1966 Pellegrino D1/114
3,386,590 A * 6/1968 Gretz F21V 35/00
211/182

1 Claim, 3 Drawing Sheets

Matter enclosed in heavy brackets [] appears in the original patent but forms no part of this reissue; matter printed in italics indicates the additions made by reissue.

(Continued)



(56)

References Cited

U.S. PATENT DOCUMENTS

3,917,194 A * 11/1975 Muller B64C 3/40
244/46
D249,723 S * 9/1978 Cosman D21/386
D249,724 S * 9/1978 Cosman D21/386
4,849,266 A * 7/1989 Dwivedi B22D 19/00
164/98
D392,435 S * 3/1998 Mocking D1/120
D418,881 S * 1/2000 Cousins D21/681
D473,348 S * 4/2003 Lang D1/199
D485,046 S * 1/2004 Hague 426/104
D485,661 S * 1/2004 Harris A01K 15/026
D1/122
D500,579 S 1/2005 Tansey et al.
D503,645 S * 4/2005 Wirth D10/114.9
D516,276 S * 3/2006 Unlu D1/199
D532,583 S * 11/2006 Townsend D1/122
D537,892 S * 3/2007 Moses D21/679
D558,444 S * 1/2008 Ma D3/6
D576,721 S * 9/2008 Nishio D23/393
D585,177 S * 1/2009 Wylie D1/125
D586,454 S * 2/2009 Nishio D23/393
D686,192 S * 7/2013 Widner D14/212
D708,417 S * 7/2014 Allen D1/106
D726,477 S * 4/2015 Buck D7/300.2
D746,541 S * 1/2016 Sambashivan D1/120
D771,054 S * 11/2016 King D14/447
D802,880 S * 11/2017 Mathew D1/128
D803,510 S * 11/2017 Heath D1/125
D822,315 S * 7/2018 Heath D1/122
D853,080 S * 7/2019 Albuja Cuadrado D1/125
D884,308 S * 5/2020 Brown D1/122
D903,228 S * 12/2020 Monaghan D1/122
D903,229 S * 12/2020 Stevens D1/122
D969,449 S * 11/2022 Jacko D1/125
D973,999 S * 1/2023 McCann D1/125
2005/0151407 A1 * 7/2005 Tai A47C 1/143
297/344.1

FOREIGN PATENT DOCUMENTS

JP 0001223959 10/2004
JP D1224610 10/2004
JP D1224774 10/2004
KR 300470351 11/2007
RO DM076390 2/2012
WO 8806851 A1 9/1988

OTHER PUBLICATIONS

“Penne triangolo.” Paniere D’Italia., Dec. 9, 2020 [online], [retrieved on Feb. 19, 2023]. Retrieved from the Internet <URL: <https://paniereditalia.it/prodotto/penne-triangolo/>>.*
Vantschip, Nina. “Dog Bones.” Doodle Kisses. Nov. 11, 2009. Web. Dec. 29, 2017. <<http://www.doodlekisses.com/forum/topics/dog-bones/>>.*
“Triangle Noodle Detergent Speckles.” Sichuan Faith and Fortune Trading Co., Ltd. Mar. 3, 2014. Web. Dec. 29, 2017. <https://scdst.en.ec21.com/Triangle_Noodle_Detergent_Speckles--8785251_8909349.html>.*
“Pencil Grip 101.” The Anonymous OT. Apr. 19, 2013. Web. Dec. 29, 2017. <<https://theanonymousot.com/2013/04/19/pencil-grip-101/>>.*
“Those that Wait.” Meridian Financial Partners. Apr. 3, 2016. Web. Dec. 29, 2017. <<https://meridianfinancialpartners.com/2016/08/03/those-that-wait/>>.*
PetSMART, accessed Aug. 27, 2017, 1999-2008, Web Page, 2 pgs. Summer Jun. 2005 The Unbeatable Selection and Value Your Business Needs!, pp. 207.
“More than Slightly Obsessed Hi I’m Skinny Sticks Review”, Published: Aug. 17, 2013, Retrieved: Nov. 21, 2017, from: <http://cleaneatingveggiegirl.com/2013/08/17/more-than-slightly-obsessed-hi-im-skinny-sticks-review/>.

* cited by examiner

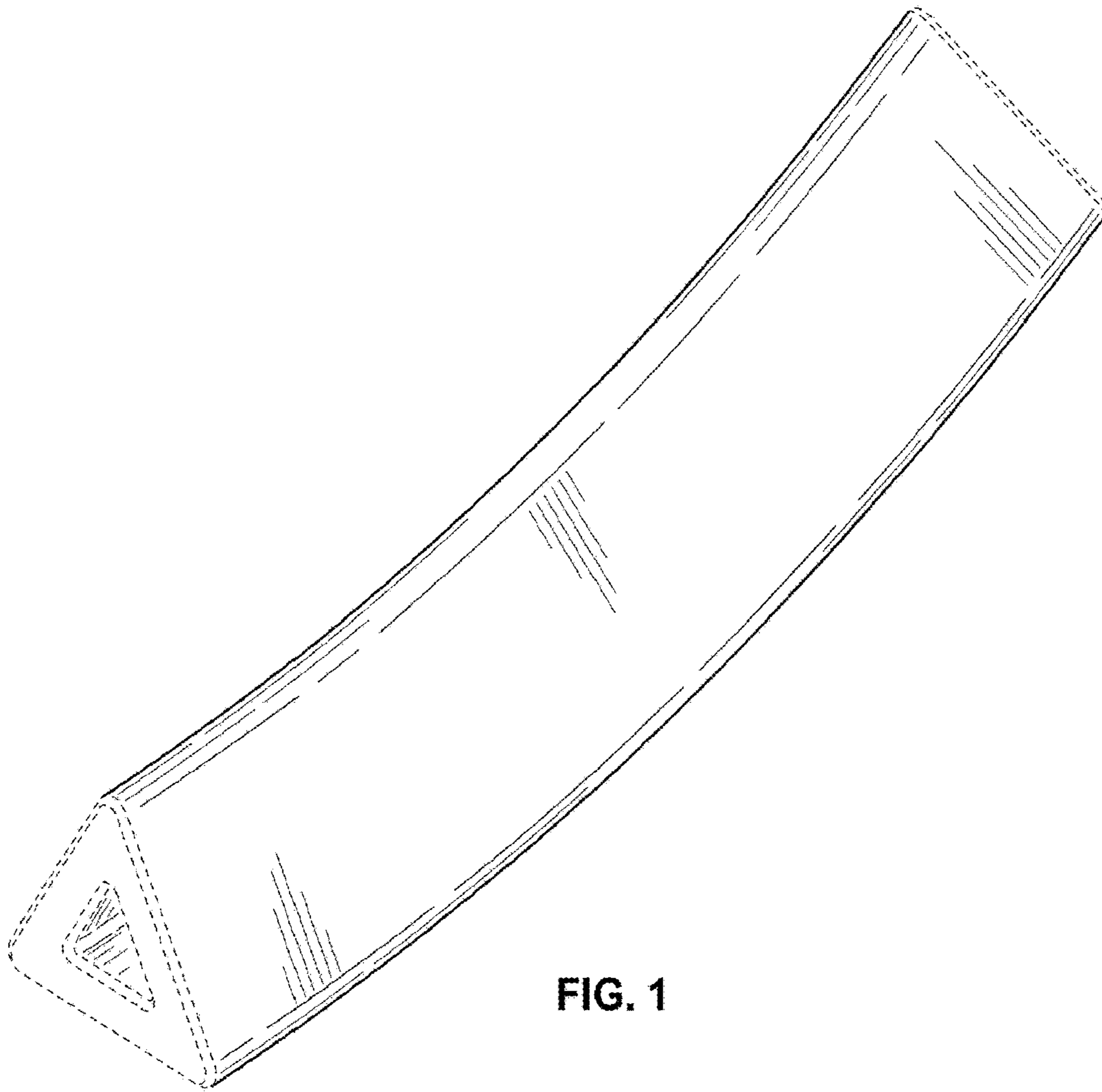


FIG. 1

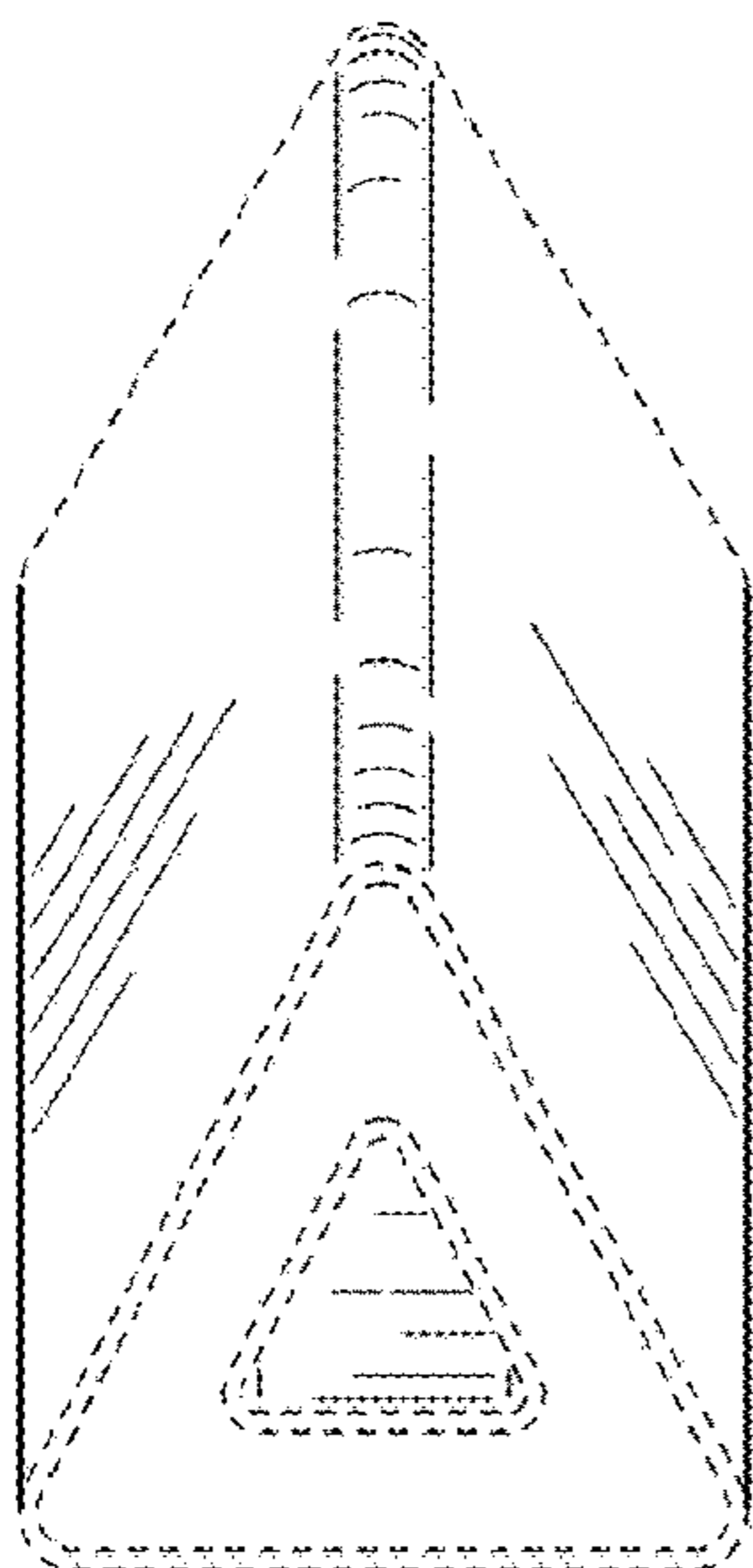


FIG. 2

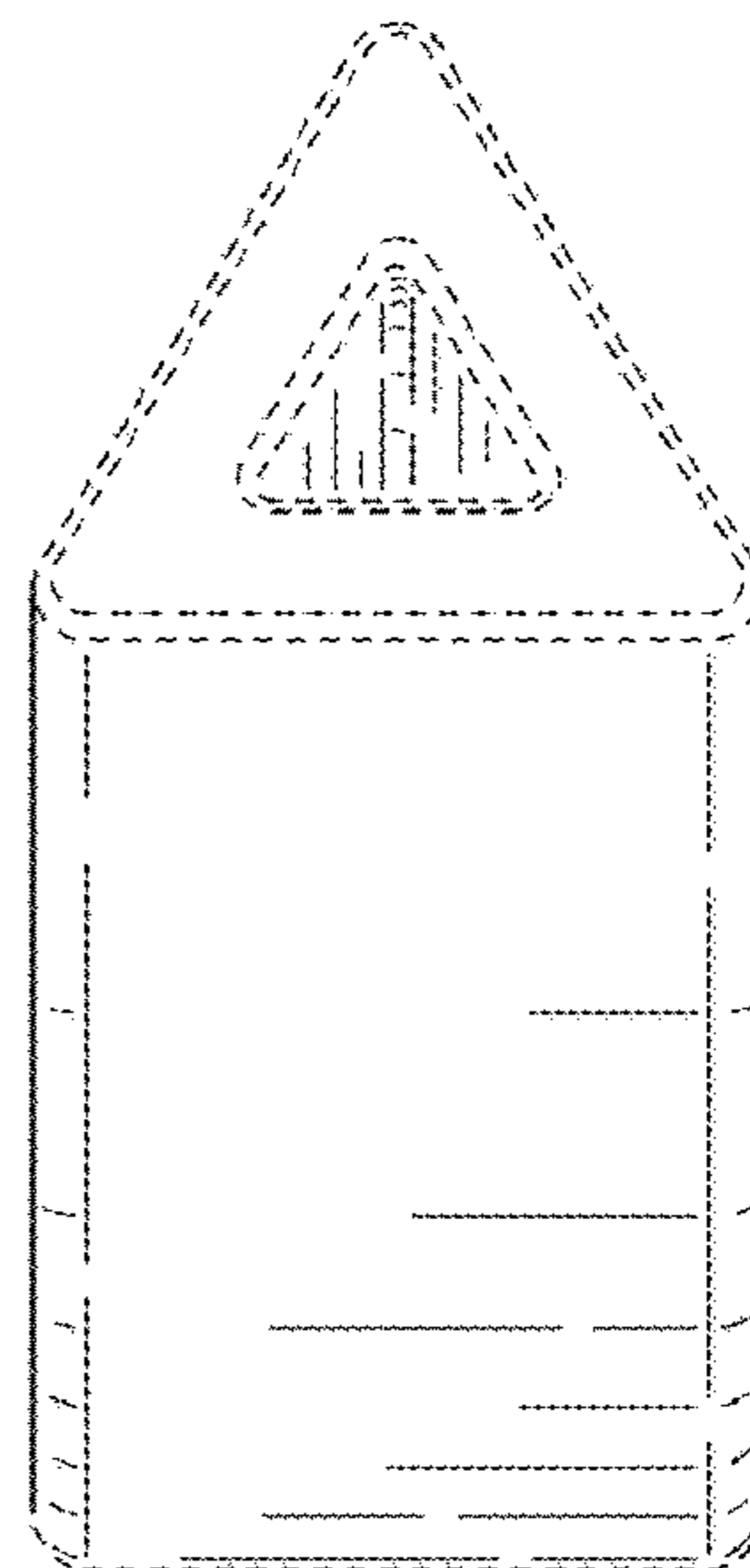


FIG. 3

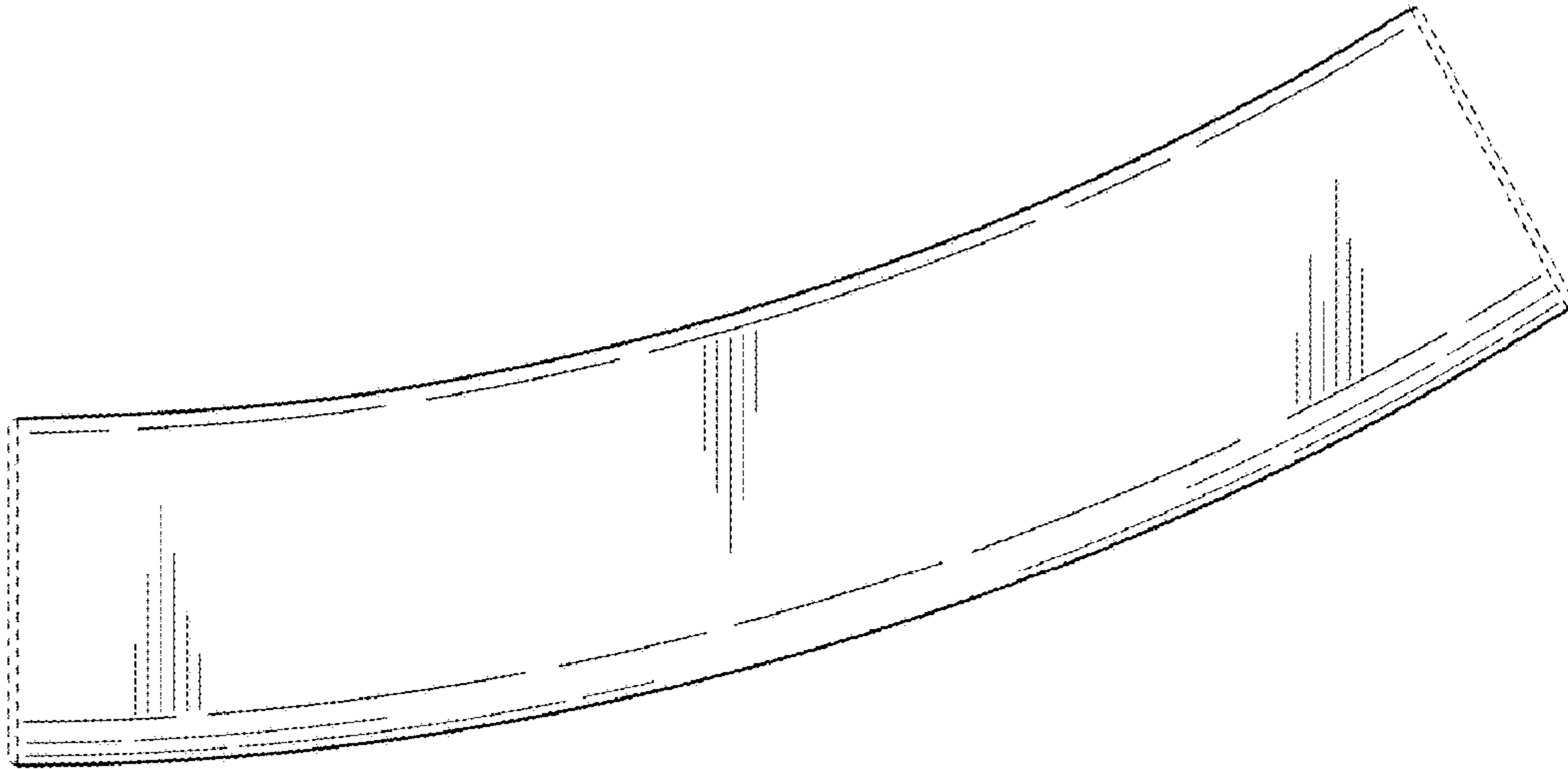


FIG. 4

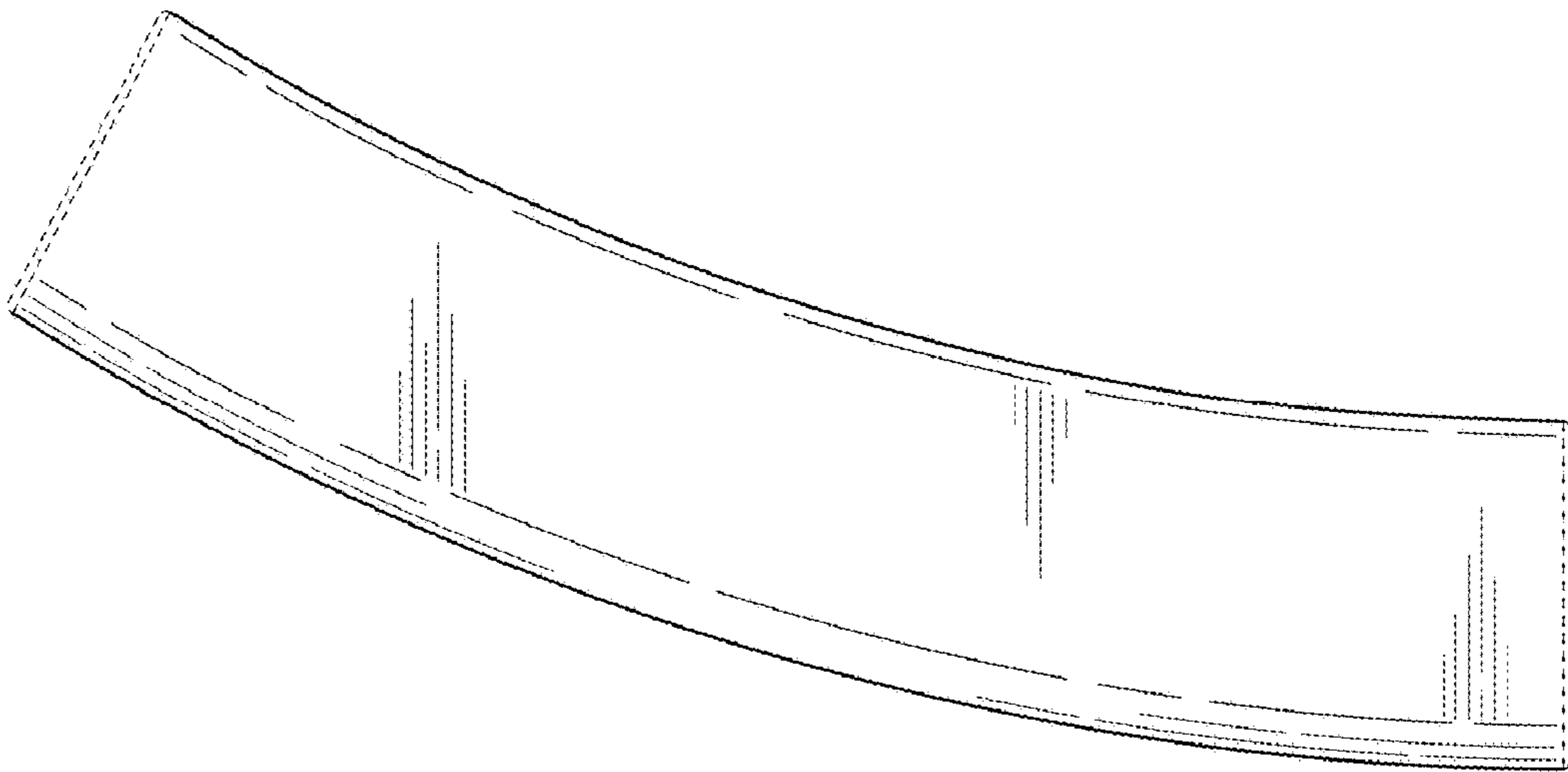


FIG. 5

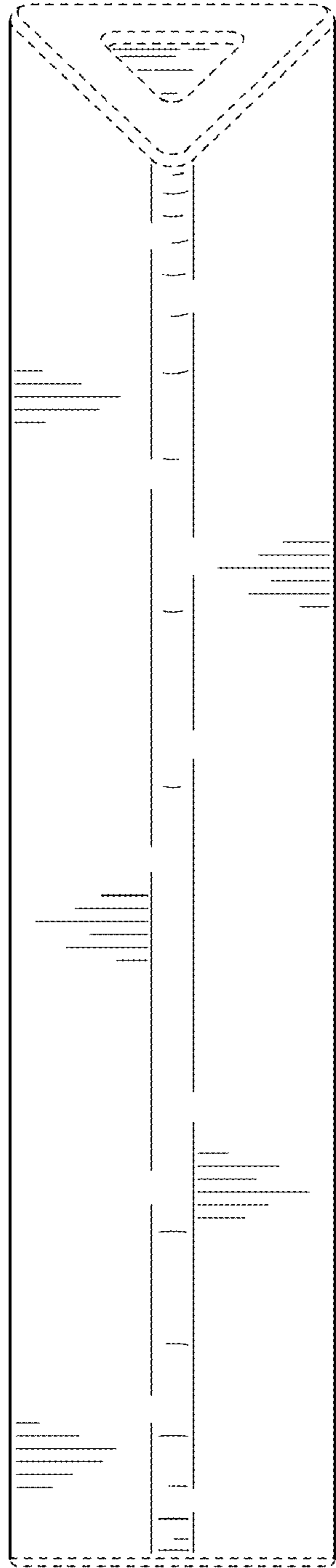


FIG. 6

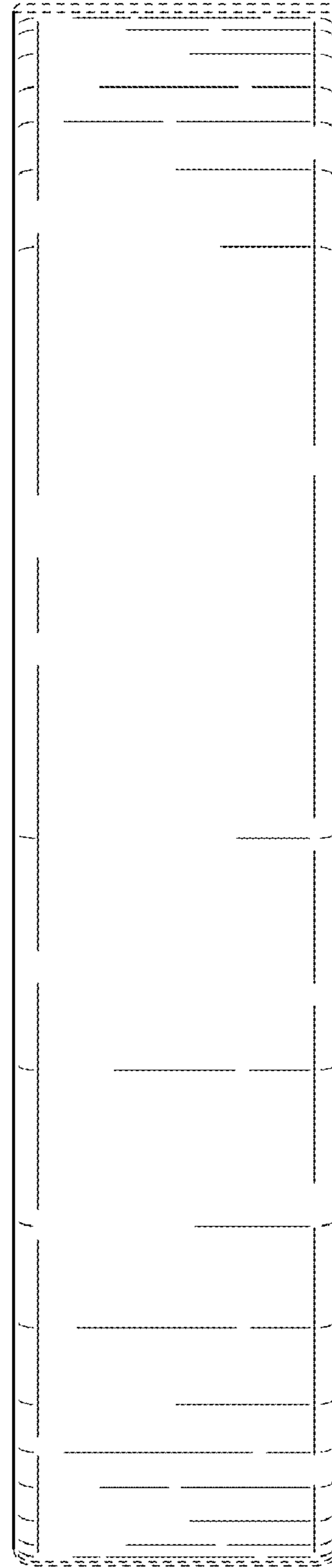


FIG. 7