



US00RE49537E

(19) **United States**
(12) **Reissued Patent**
Hausman, Jr. et al.

(10) **Patent Number: US RE49,537 E**
(45) **Date of Reissued Patent: May 30, 2023**

(54) **ELECTRONIC SWITCH HAVING AN IN-LINE POWER SUPPLY**
(71) Applicant: **Lutron Technology Company LLC**, Coopersburg, PA (US)
(72) Inventors: **Donald F. Hausman, Jr.**, New Tripoli, PA (US); **Miguel Aguado Perez**, London (GB); **Christopher J. Salvestrini**, Allentown, PA (US); **Bingrui Yang**, Mountain View, CA (US)
(73) Assignee: **LUTRON TECHNOLOGY COMPANY LLC**, Coopersburg, PA (US)

(56) **References Cited**
U.S. PATENT DOCUMENTS
5,365,154 A 11/1994 Schneider et al.
5,736,795 A 4/1998 Zuehlke
(Continued)

FOREIGN PATENT DOCUMENTS
CN 1189715 A 8/1998
DE 10132514 A1 1/2003
WO WO 2005114839 A1 12/2005

OTHER PUBLICATIONS
European Patent Office, International Search Report and Written Opinion for International Application No. PCT/US2010/031976, dated Oct. 4, 2010, 14 pages.
(Continued)

(21) Appl. No.: **15/998,628**
(22) Filed: **Aug. 16, 2018**

Related U.S. Patent Documents

Reissue of:
(64) Patent No.: **9,418,809**
Issued: **Aug. 16, 2016**
Appl. No.: **14/529,267**
Filed: **Oct. 31, 2014**
U.S. Applications:
(62) Division of application No. 12/751,324, filed on Mar. 31, 2010, now Pat. No. 8,922,133.
(Continued)

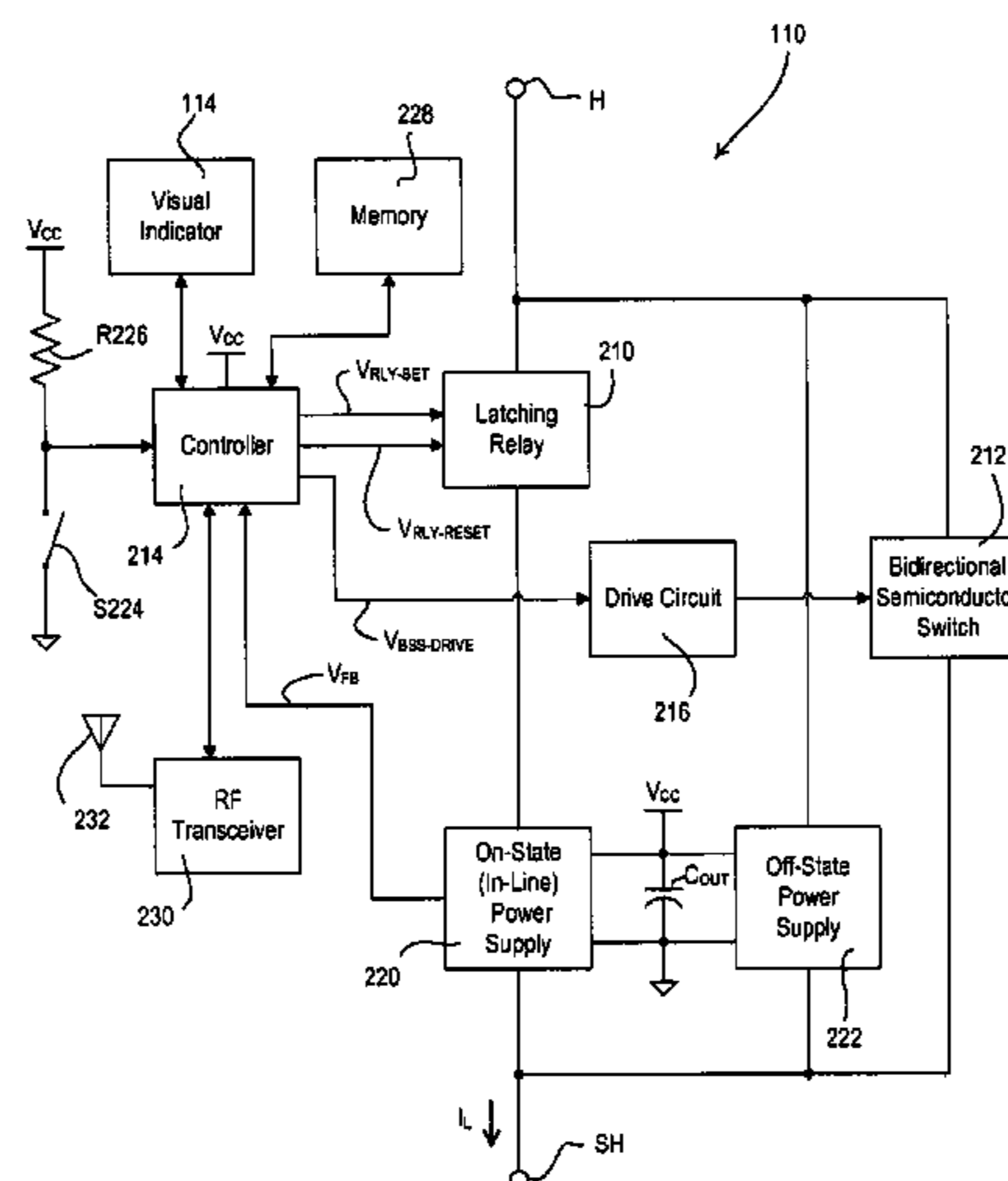
(51) **Int. Cl.**
H02J 7/00 (2006.01)
H02J 7/16 (2006.01)
(Continued)
(52) **U.S. Cl.**
CPC **H01H 47/22** (2013.01); **H02J 7/00** (2013.01); **H02J 7/0031** (2013.01);
(Continued)

(58) **Field of Classification Search**
CPC **H01H 47/22**; **H02J 7/0031**; **H02J 7/0052**; **H02J 7/345**; **H02J 7/00**; **H02J 7/16**;
(Continued)

Primary Examiner — My Trang Ton
(74) *Attorney, Agent, or Firm* — Michael Czarniecki; Glen Farbanish; Philip Smith

(57) **ABSTRACT**
A two-wire smart load control device, such as an electronic switch, for controlling the power delivered from a power source to an electrical load comprises a relay for conducting a load current through the load and an in-line power supply coupled in series with the relay for generating a supply voltage across a capacitor when the relay is conductive. The power supply controls when the capacitor charges asynchronously with respect to the frequency of the source. The capacitor conducts the load current for at least a portion of a line cycle of the source when the relay is conductive. The load control device also comprises a bidirectional semiconductor switch, which is controlled to minimize the inrush current conducted through the relay. The bidirectional semiconductor switch is rendered conductive in response to an over-current condition in the capacitor of the power supply, and the relay is rendered non-conductive in response to an over-temperature condition in the power supply.

36 Claims, 10 Drawing Sheets



Related U.S. Application Data

(60) Provisional application No. 61/172,511, filed on Apr. 24, 2009, provisional application No. 61/226,990, filed on Jul. 20, 2009.

(51) **Int. Cl.**
H01H 47/22 (2006.01)
H05B 47/11 (2020.01)
H05B 47/105 (2020.01)
H05B 39/08 (2006.01)
H02M 5/293 (2006.01)
H03K 17/687 (2006.01)
H03K 17/79 (2006.01)
H02M 1/00 (2006.01)

(52) **U.S. Cl.**
 CPC *H02M 5/293* (2013.01); *H03K 17/6874* (2013.01); *H03K 17/79* (2013.01); *H05B 39/081* (2013.01); *H05B 39/088* (2013.01); *H05B 47/105* (2020.01); *H05B 47/11* (2020.01); *H02M 1/0006* (2021.05); *Y02B 20/46* (2013.01)

(58) **Field of Classification Search**
 CPC H02M 5/293; H02M 1/00; H02M 2001/0006; H03K 17/687; H03K 17/6874; H03K 17/79; H05B 37/02; H05B 37/0218; H05B 37/0227; H05B 39/08; H05B 39/081; H05B 39/088; Y02B 20/46; Y02B 20/48
 USPC 320/166, 167
 See application file for complete search history.

References Cited

U.S. PATENT DOCUMENTS

5,754,036 A	5/1998	Walker	
5,811,963 A	9/1998	Elwell	
5,838,555 A	11/1998	Lejeune et al.	
6,046,550 A	4/2000	Ference et al.	
6,191,563 B1	2/2001	Bangerter	
6,262,565 B1	7/2001	Williams et al.	
6,396,672 B1	5/2002	Deam	
6,969,959 B2	11/2005	Black et al.	
7,012,518 B2	3/2006	Novikov	
7,190,124 B2	3/2007	Kumar et al.	
7,242,150 B2	7/2007	DeJonge et al.	
7,423,413 B2	9/2008	Dobbins et al.	
7,546,473 B2	6/2009	Newman	
7,564,227 B2	7/2009	Dobbins et al.	
7,573,208 B2	8/2009	Newman, Jr.	
7,728,564 B2	6/2010	Fricke et al.	
7,847,440 B2 *	12/2010	Mosebrook	H05B 47/10 307/115
8,154,841 B2 *	4/2012	Allen	H01H 9/56 361/139
8,334,663 B2	12/2012	Carmen	
8,922,133 B2	12/2014	Hausman, Jr. et al.	
9,418,809 B2	8/2016	Hausman, Jr. et al.	
2007/0126366 A1	6/2007	Frid	
2009/0009144 A1	1/2009	Hoshikawa et al.	
2009/0160409 A1	6/2009	Carmen	
2009/0273958 A1	11/2009	Baby	

OTHER PUBLICATIONS

Office Action and Search Report for corresponding Chinese Patent Application No. 201080018204.8, dated Aug. 23, 2013, 6 pages.
 International Preliminary Report on Patentability for corresponding PCT Application No. PCT/US2010/031976, dated Jul. 26, 2011, 44 pages.

* cited by examiner

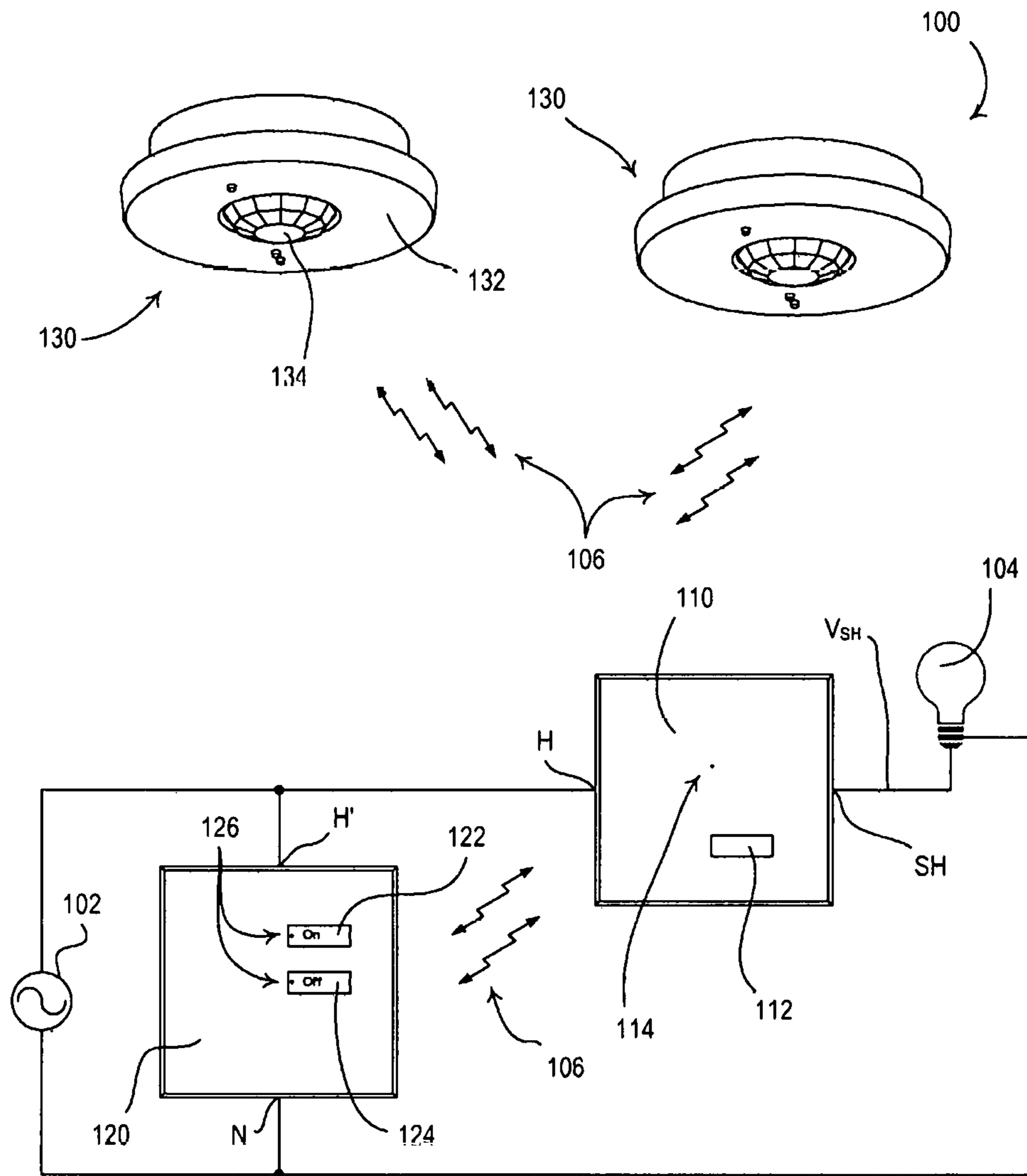


Fig. 1

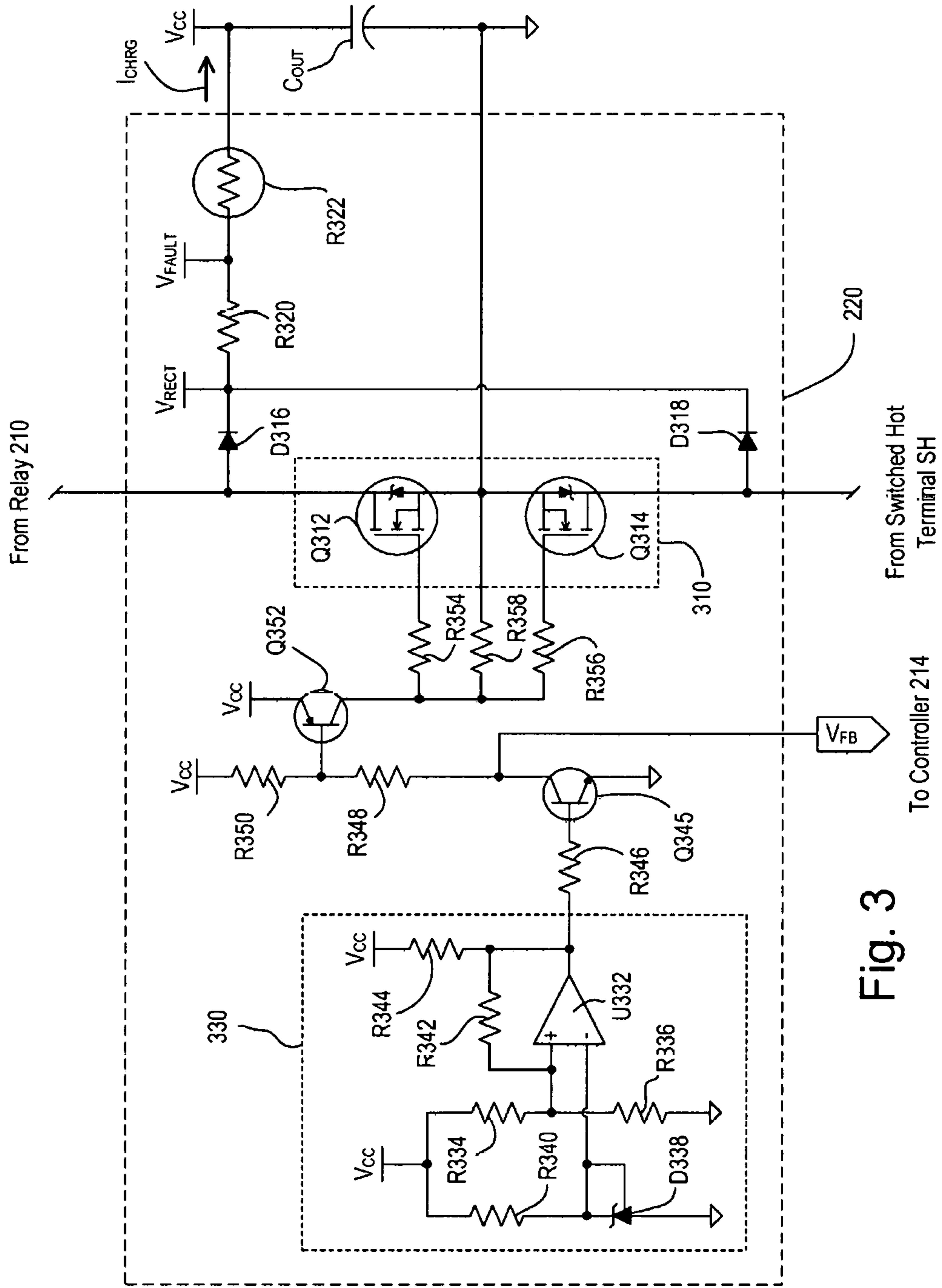


Fig. 3

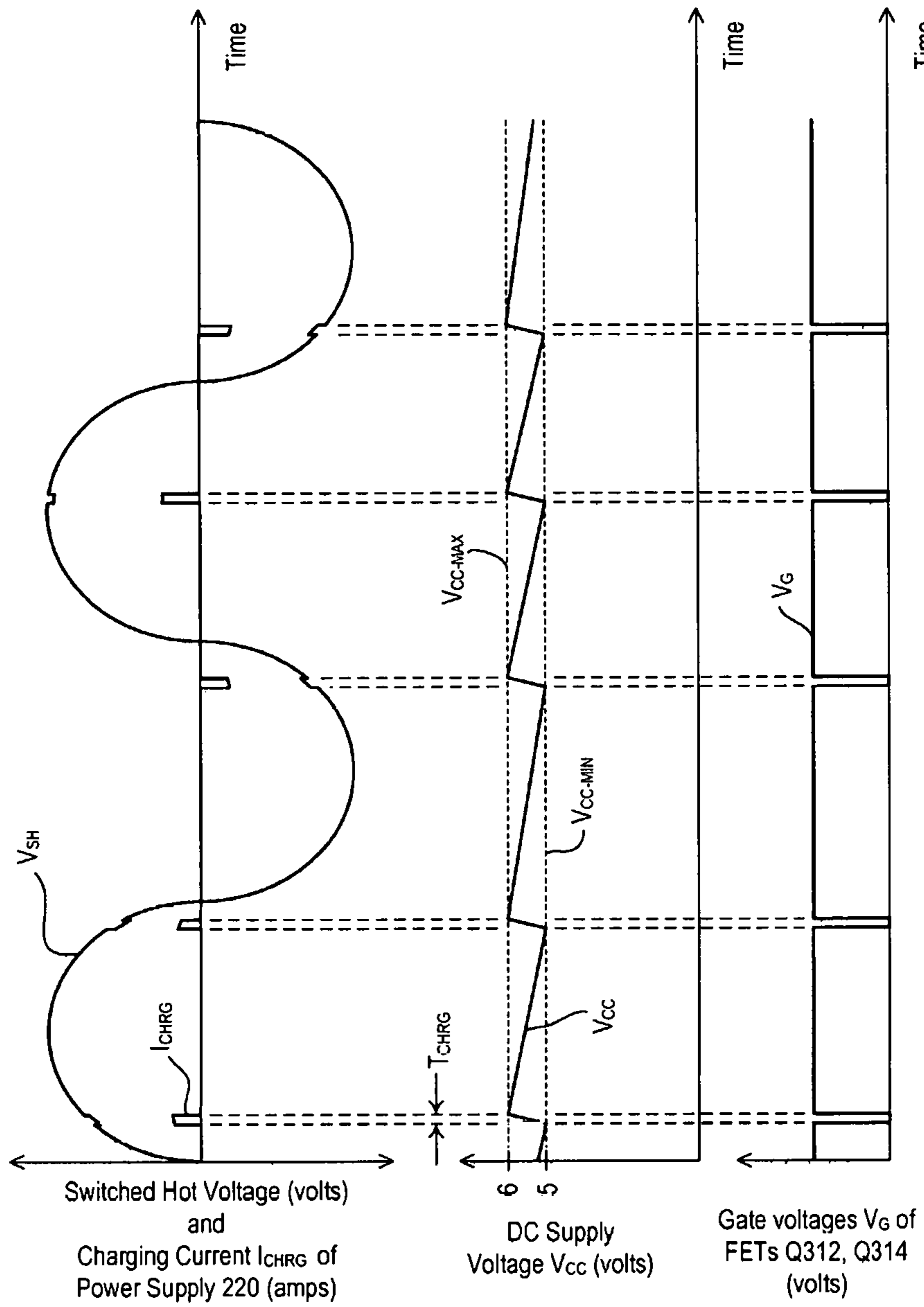


Fig. 4A

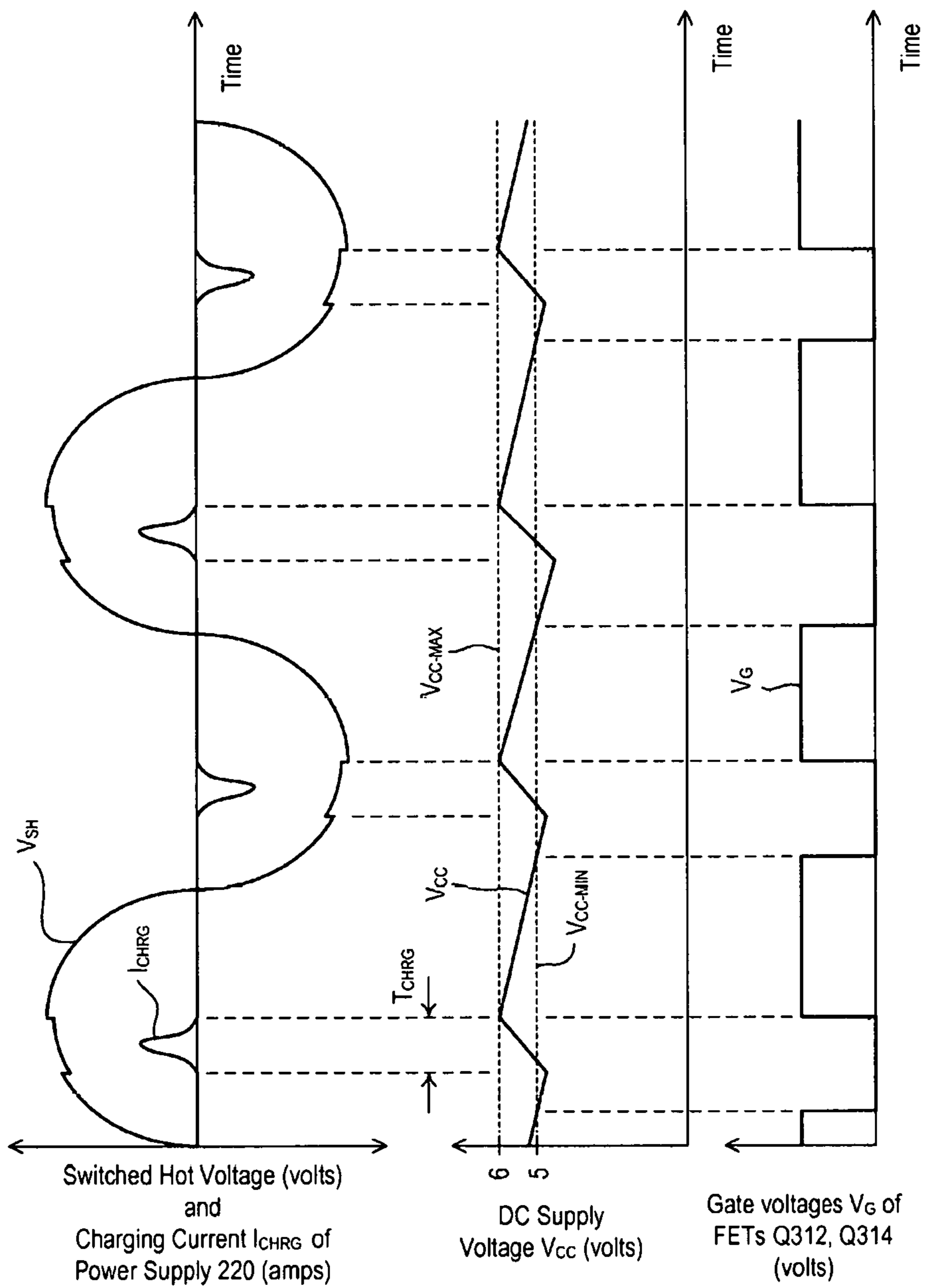


Fig. 4B

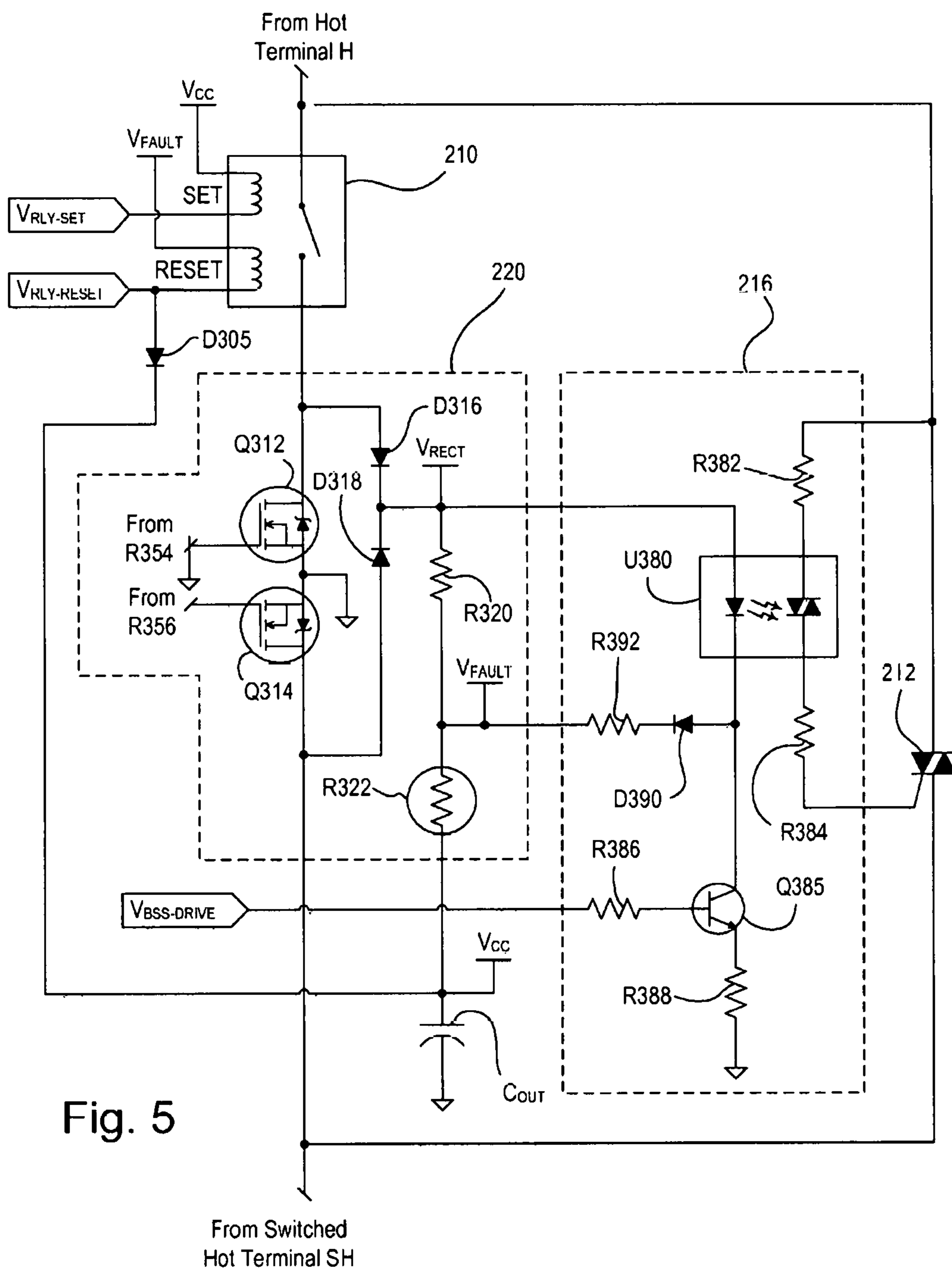


Fig. 5

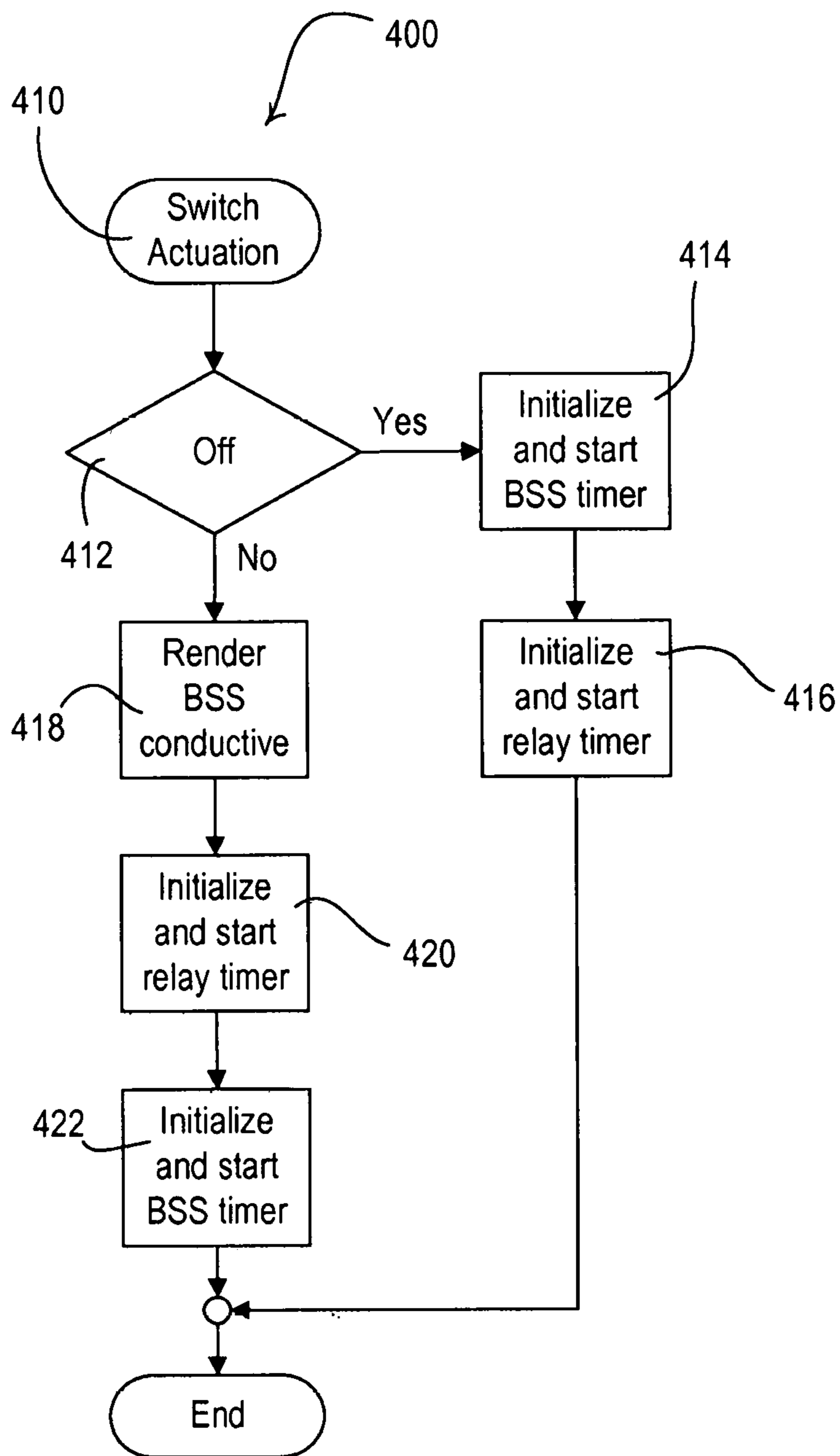


Fig. 6

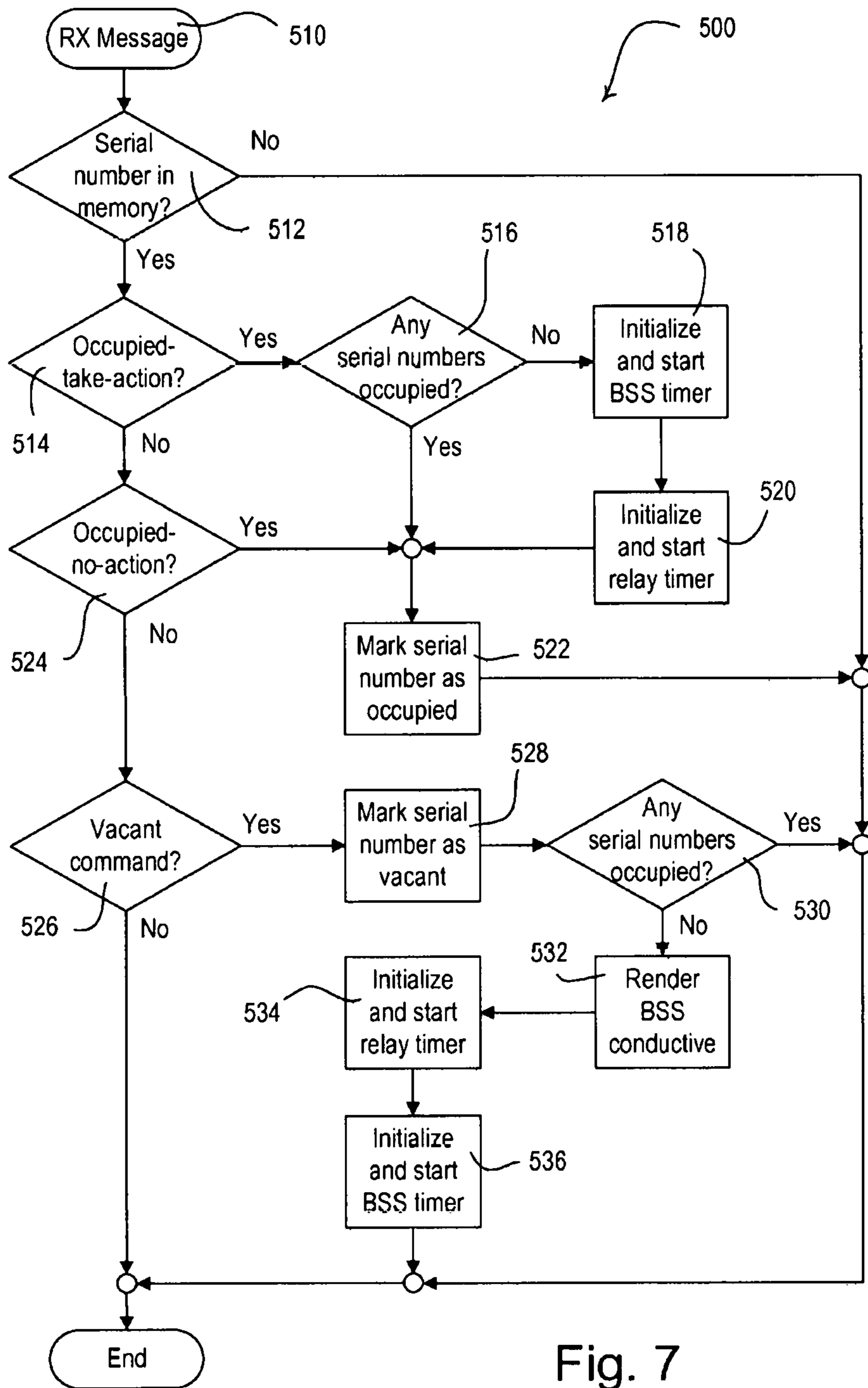


Fig. 7

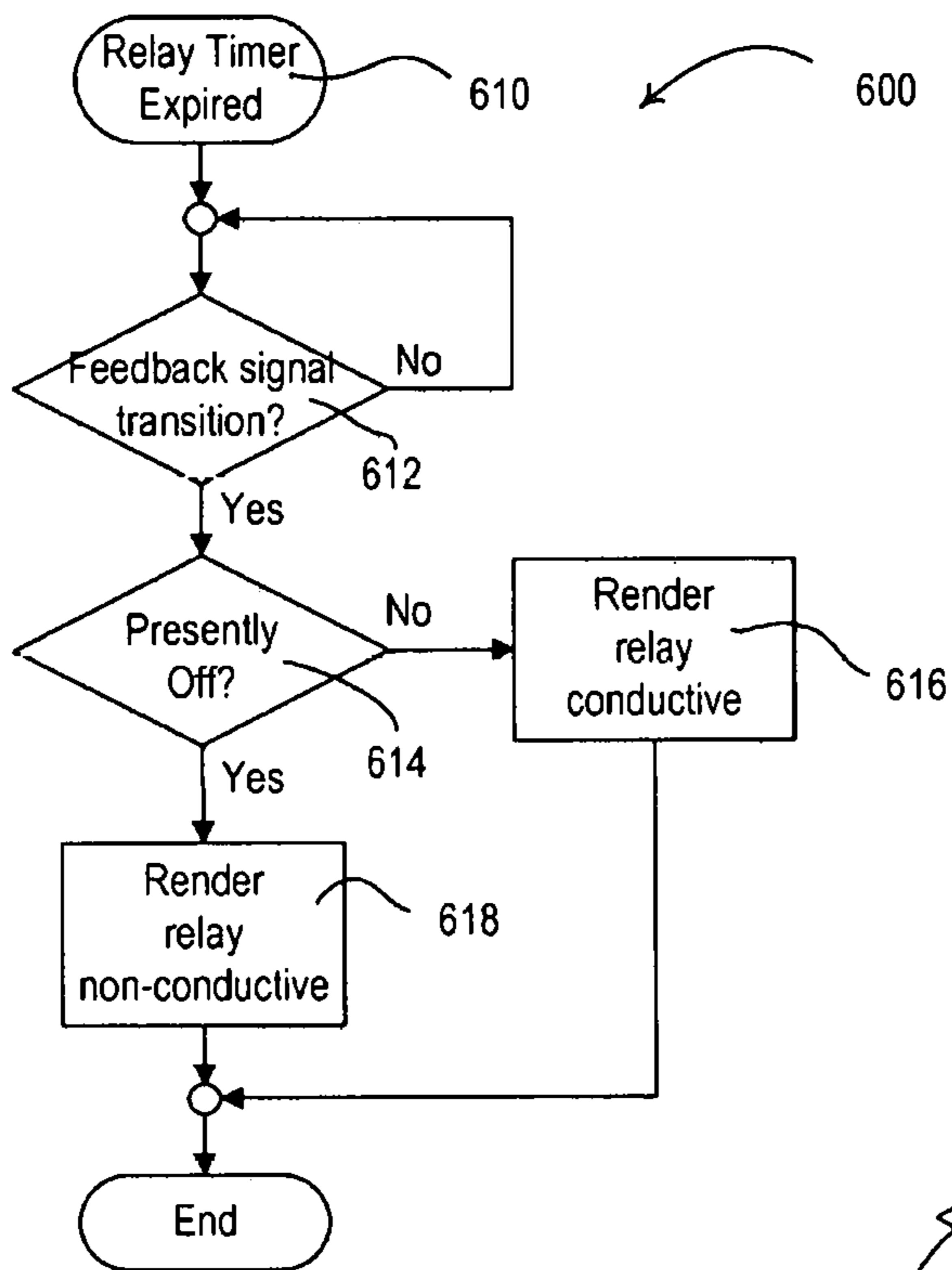


Fig. 8

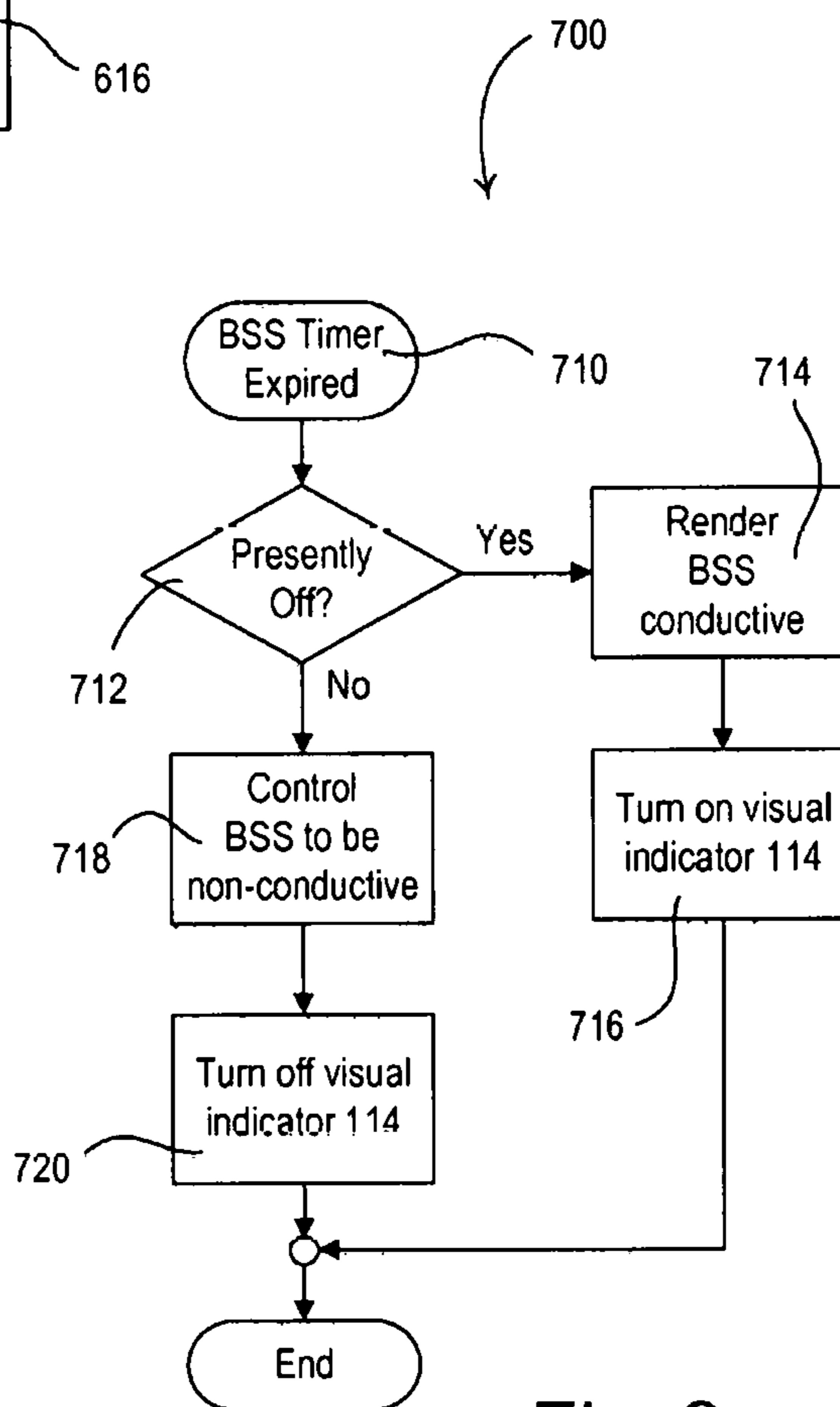


Fig. 9

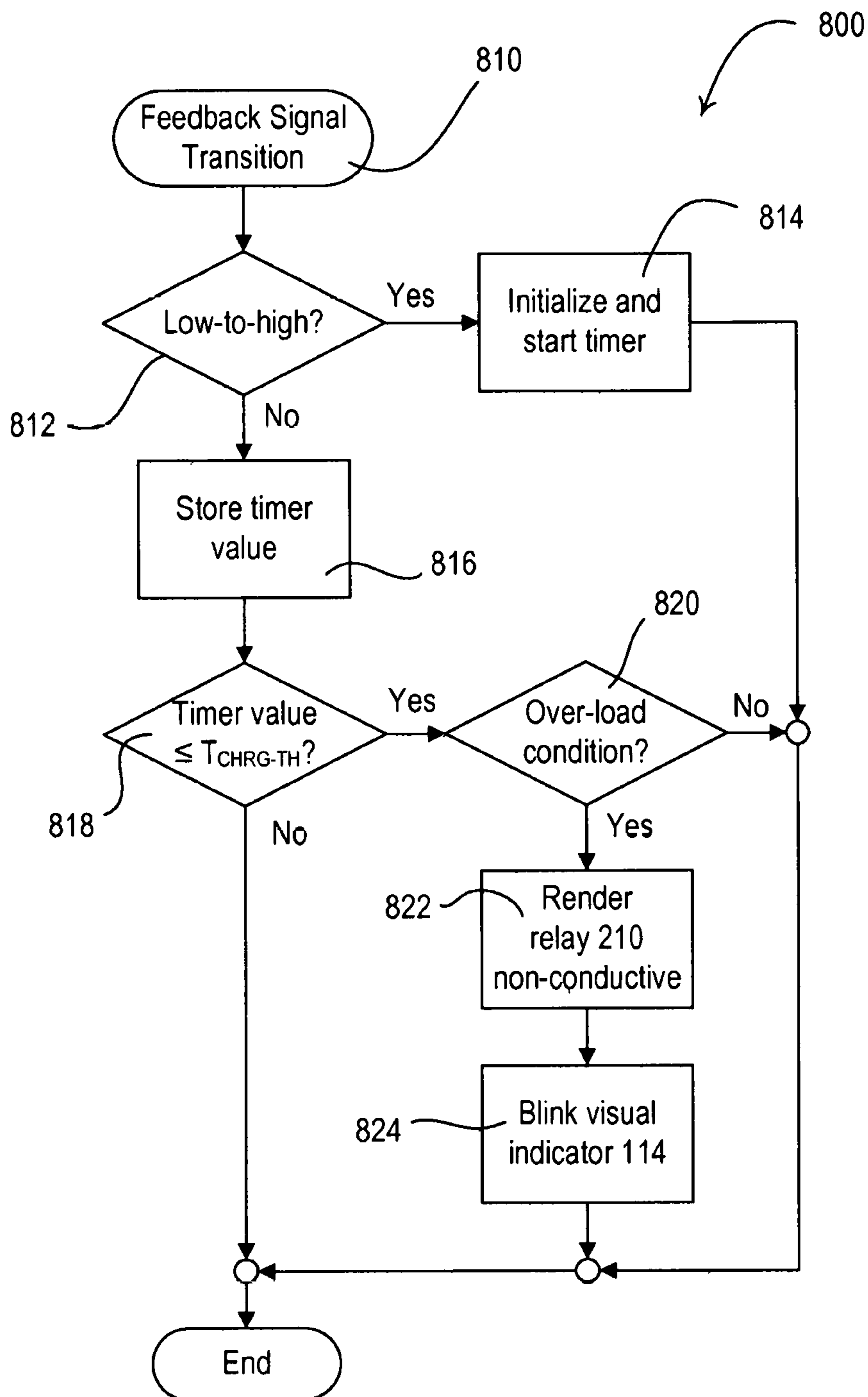


Fig. 10

ELECTRONIC SWITCH HAVING AN IN-LINE POWER SUPPLY

Matter enclosed in heavy brackets [] appears in the original patent but forms no part of this reissue specification; matter printed in italics indicates the additions made by reissue; a claim printed with strikethrough indicates that the claim was canceled, disclaimed, or held invalid by a prior post-patent action or proceeding.

CROSS-REFERENCE TO RELATED APPLICATIONS

This application is a reissue of U.S. Pat. No. 9,418,809, issued on Aug. 16, 2016 from U.S. patent application Ser. No. 14/529,267, filed Oct. 31, 2014, entitled *ELECTRONIC SWITCH HAVING AN IN-LINE POWER SUPPLY*, which is a divisional application of commonly-assigned U.S. patent application Ser. No. 12/751,324, filed Mar. 31, 2010, entitled *SMART ELECTRONIC SWITCH FOR LOW-POWER LOADS*, which is a non-provisional application of commonly-assigned U.S. Provisional Application Ser. No. 61/172,511, filed Apr. 24, 2009, entitled *SMART LOAD CONTROL DEVICE HAVING A ZERO-CURRENT OFF STATE*, and U.S. Provisional Application Ser. No. 61/226,990, filed Jul. 20, 2009, entitled *SMART ELECTRONIC SWITCH FOR LOW-POWER LOADS*, the entire disclosures of which are hereby incorporated by reference.

BACKGROUND OF THE INVENTION

1. Field of the Invention

The present invention relates to load control devices for control of the power delivered from an alternating-current (AC) power source to an electrical load, and more particularly, to a “smart” two-wire electronic switch having a controller, a latching relay, and a power supply that provides substantially all of the line voltage of the AC power source to the load and draws current through the load in a manner that does not result in inappropriate operation of the load.

2. Description of the Related Art

Typical load control devices are operable to control the amount of power delivered to an electrical load, such as a lighting load or a motor load, from an alternating-current (AC) power source. Wall-mounted load control devices are adapted to be mounted to standard electrical wallboxes. A dimmer switch comprises a controllably conductive device (e.g., a bidirectional semiconductor switch, such as, a triac), which is coupled in series between the power source and the load. The controllably conductive device is controlled to be conductive and non-conductive for portions of a half cycle of the AC power source to thus control the amount of power delivered to the load (e.g., using a phase-control dimming technique). A “smart” dimmer switch (i.e., a digital dimmer switch) comprises a microprocessor (or similar controller) for controlling the semiconductor switch and a power supply for powering the microprocessor. In addition, the smart dimmer switch may comprise a memory, a communication circuit, and a plurality of light-emitting diodes (LEDs) that are all powered by the power supply.

An electronic switch (i.e., a digital switch) comprises a controllably conductive device (such as a relay or a bidirectional semiconductor switch), a microprocessor, and a power supply. In contrast to a smart dimmer switch, the controllably conductive device of an electronic switch is not controlled using the phase-controlled dimming technique,

but is controlled to be either conductive or non-conductive during each half cycle of the AC power source to thus toggle the electrical load on and off. Often, wall-mounted electronic switches do not require a connection to the neutral side of the AC power source (i.e., the electronic switch is a “two-wire” device). This is particularly useful when the electronic switch is installed in a retro-fit installation (i.e., to replace an existing switch or load control device in an electrical wallbox in which there is no neutral connection).

In order to charge, the power supply of a two-wire electronic switch must develop an amount of voltage across the power supply. As a result, not all of the AC line voltage of the AC power source is available to power the electrical load and the electrical load may not operate properly. For example, if the electrical load is a lighting load, the lighting load may not be illuminated to the maximum possible intensity. In addition, the power supply must draw current through the controlled electrical load in order to charge, which may cause problems for some types of electrical loads. For example, when the electrical load is a lighting load, the magnitude of the power supply current must not be great enough to cause the lighting load to illuminate or to flicker. Further, some electrical loads, such as compact fluorescent lamps, do not conduct sinusoidal currents, and as a result, current cannot be conducted through these electrical loads during certain portions of the line cycle of the AC power source.

Therefore, there exists a need for an electronic switch that has a controller for turning the load on and off and a single power supply that operates in a manner that does not result in inappropriate operation of the load.

SUMMARY OF THE INVENTION

According to an embodiment of the present invention, a two-wire electronic switch adapted to be coupled between an AC power source and an electrical load for turning the electrical load on and off comprises a controllably conductive device adapted to be coupled in series electrical connection between the source and the load, a controller operatively coupled to the controllably conductive device for controlling the controllably conductive device, an output capacitor operable to develop to the DC supply voltage for powering the controller, and an in-line power supply that controls when the output capacitor charges asynchronously with respect to the frequency of the AC power source, such that the in-line power supply is operable to start and stop charging at any time during each half cycle. The controllably conductive device is adapted to conduct a load current through the load when the controllably conductive device is conductive. The controller renders the controllably conductive device conductive and non-conductive to turn the load on and off, respectively. The in-line power supply is coupled in series with the controllably conductive device, and further coupled to the output capacitor for controlling when the output capacitor charges in order to generate the DC supply voltage across the output capacitor when the controllably conductive device is conductive. A voltage developed across the in-line power supply when the output capacitor is charging has a substantially small magnitude as compared to a peak voltage of an AC line voltage of the AC power source. The output capacitor is adapted to conduct the load current for at least a portion of a line cycle of the AC power source when the controllably conductive device is conductive. The power supply starts and stops charging the output capacitor at least once during each half cycle of the AC power source.

In addition, a power supply for an electronic switch that comprises a controllably conductive device adapted to be coupled between an AC power source and an electrical load for turning the electrical load on and off is also described herein. The electronic switch comprises an output capacitor operable to develop to a DC supply voltage, a bidirectional semiconductor switch adapted to be coupled in series with the controllably conductive device and in parallel with the output capacitor, and a control circuit coupled to the bidirectional semiconductor switch for rendering the bidirectional semiconductor switch conductive and non-conductive. The output capacitor is operable to charge when the bidirectional semiconductor switch is non-conductive. The control circuit is responsive to the magnitude of the DC supply voltage to render the bidirectional semiconductor switch conductive when the magnitude of the DC supply voltage reaches a maximum DC supply voltage threshold and to render the bidirectional semiconductor switch non-conductive when the magnitude of the DC supply voltage drops to a minimum DC supply voltage threshold. A voltage developed across the power supply when the output capacitor is charging has a substantially small magnitude as compared to a peak voltage of an AC line voltage of the AC power source when the output capacitor is charging. The power supply controls when the output capacitor charges asynchronously with respect to the frequency of the AC power source, such that the in-line power supply is to start and stop charging at any time during each half cycle. The power supply starts and stops charging the output capacitor at least once during each half cycle of the AC power source.

As described herein, a two-wire electronic switch for controlling the power delivered from an AC power source to an electrical load may comprise a latching relay adapted to be coupled in series electrical connection between the source and the load, a controller, an output capacitor operable to develop a DC supply voltage for powering the controller, and an in-line power supply coupled in series with the relay and further coupled to the output capacitor for generating the DC supply voltage across the output capacitor when the relay is conductive. The latching relay conducts a load current through the load when the relay is conductive. The controller is operatively coupled to the relay for controlling the relay to be conductive and non-conductive to turn the load on and off, respectively. The output capacitor is adapted to conduct the load current for at least a portion of a line cycle of the AC power source when the relay is conductive. The relay is rendered non-conductive in response to an over-temperature condition in the electronic switch (e.g., in the power supply).

In addition, a two-wire electronic switch for controlling the power delivered from an AC power source to an electrical load may comprise a latching relay adapted to be coupled in series electrical connection between the source and the load for turning the load on and off, a first bidirectional semiconductor switch coupled in parallel electrical connection with the relay, and a controller operatively coupled to the relay and a control input of the first bidirectional semiconductor switch. The controller turns on the load by first rendering the first bidirectional semiconductor switch conductive and then rendering the relay conductive, and turns off the load by first rendering the relay non-conductive and then rendering the first bidirectional semiconductor switch non-conductive. The electronic switch further comprises an output capacitor operable to develop a DC supply voltage for powering the controller, and an in-line power supply coupled in series electrical connection with the relay, such that the first bidirectional semiconductor

switch is coupled in parallel with the series combination of the relay and the power supply. The in-line power supply is further coupled to the output capacitor for generating the DC supply voltage across the output capacitor when the relay is conductive. The output capacitor is adapted to conduct the load current for at least a portion of a line cycle of the AC power source when the relay is conductive. The first bidirectional semiconductor switch is rendered conductive in response to an over-current condition in the output capacitor of the power supply. In addition, the power supply may further comprise a second bidirectional semiconductor switch coupled in series with the relay and in parallel with the output capacitor, such that the output capacitor is operable to charge when the relay is conductive and the second bidirectional semiconductor switch is non-conductive.

Further, a two-wire electronic switch for controlling the power delivered from an AC power source to an electrical load may comprise: (1) a latching relay adapted to be coupled in series electrical connection between the source and the load for turning the load on and off; (2) a first bidirectional semiconductor switch coupled in parallel electrical connection with the relay, the first bidirectional semiconductor switch comprising a control input; (3) a controller operatively coupled to the relay and the control input of the first bidirectional semiconductor switch, the controller operable to turn on the load by first rendering the first bidirectional semiconductor switch conductive and then rendering the relay conductive, the controller operable to turn off the load by first rendering the relay non-conductive and then rendering the first bidirectional semiconductor switch non-conductive; (4) an output capacitor operable to develop a DC supply voltage for powering the controller; and (5) an in-line power supply coupled in series electrical connection with the relay, such that the first bidirectional semiconductor switch is coupled in parallel with the series combination of the relay and the power supply. The in-line power supply is further coupled to the output capacitor for generating the DC supply voltage across the output capacitor when the relay is conductive. The power supply comprises a second bidirectional semiconductor switch coupled in series with the relay and in parallel with the output capacitor, such that the output capacitor is operable to charge when the relay is conductive and the second bidirectional semiconductor switch is non-conductive. The first bidirectional semiconductor switch is rendered conductive in response to an over-current condition in the output capacitor of the power supply, and the relay is rendered non-conductive in response to an over-temperature condition in the power supply.

According to another aspect of the present invention, a two-wire electronic switch for controlling the power delivered from an AC power source to an electrical load comprises a latching relay adapted to be coupled in series electrical connection between the source and the load for turning the load on and off, an output capacitor operable to develop a DC supply voltage, an in-line power supply, and a controller operable to measure a charging time required to charge the output capacitor, and to determine if an overload condition is occurring if the length of the charging time is less than a predetermined charging time threshold. The in-line power supply is coupled in series electrical connection with the relay, and further coupled to the output capacitor for generating the DC supply voltage across the output capacitor when the relay is conductive. The power supply comprises a bidirectional semiconductor switch coupled in series with the relay and in parallel with the output capacitor, such that the output capacitor is operable to charge when the relay is conductive and the bidirectional

semiconductor switch is non conductive. The bidirectional semiconductor switch is rendered conductive when the magnitude of the DC supply voltage reaches a maximum DC supply voltage threshold and rendered non-conductive when the magnitude of the DC supply voltage drops to a minimum DC supply voltage threshold. The output capacitor is adapted to conduct the load current for at least a portion of a line cycle of the AC power source when the relay is conductive.

Other features and advantages of the present invention will become apparent from the following description of the invention that refers to the accompanying drawings.

BRIEF DESCRIPTION OF THE DRAWINGS

The invention will now be described in greater detail in the following detailed description with reference to the drawings in which:

FIG. 1 is a simplified diagram of a radio-frequency (RF) lighting control system comprising a two-wire electronic switch and two remote vacancy sensors according to a first embodiment of the present invention;

FIG. 2 is a simplified block diagram of the two-wire electronic switch of FIG. 1;

FIG. 3 is a simplified schematic diagram of an in-line on-state power supply of the two-wire electronic switch of FIG. 2;

FIG. 4A is a simplified diagram of waveforms illustrating the operation of the power supply of FIG. 3 showing an asynchronous charging current conducted through an output capacitor of the power supply;

FIG. 4B is a simplified diagram of waveforms illustrating the operation of the power supply of FIG. 3 showing a synchronous charging current conducted through the output capacitor of the power supply;

FIG. 5 is a simplified schematic diagram of a latching relay, a bidirectional semiconductor switch, a drive circuit, and the in-line on-state power supply of the two-wire electronic switch of FIG. 2;

FIG. 6 is a simplified flowchart of a button procedure executed by a controller of the electronic switch of FIG. 2;

FIG. 7 is a simplified flowchart of a received message procedure executed by the controller of the electronic switch of FIG. 2;

FIG. 8 is a simplified flowchart of a relay timer procedure executed by the controller of the electronic switch of FIG. 2;

FIG. 9 is a simplified flowchart of a bidirectional semiconductor switch (BSS) timer procedure executed by the controller of the electronic switch of FIG. 2; and

FIG. 10 is a simplified flowchart of an overload detection procedure executed by the controller of the electronic switch of FIG. 2.

DETAILED DESCRIPTION OF THE INVENTION

The foregoing summary, as well as the following detailed description of the preferred embodiments, is better understood when read in conjunction with the appended drawings. For the purposes of illustrating the invention, there is shown in the drawings an embodiment that is presently preferred, in which like numerals represent similar parts throughout the several views of the drawings, it being understood, however, that the invention is not limited to the specific methods and instrumentalities disclosed.

FIG. 1 is a simple diagram of a radio-frequency (RF) lighting control system 100 comprising a two-wire elec-

tronic switch 110, a keypad 120, and two remote occupancy sensors 130 according to a first embodiment of the present invention. The electronic switch 110 and the keypad 120 are adapted to be wall-mounted in standard electrical wallboxes. Alternatively, the electronic switch 110 and the keypad 120 could be implemented as table-top control devices. In addition, the electronic switch 110 may comprise a controllable plug-in module adapted to be plugged into an electrical receptacle or a controllable screw-in module adapted to be screwed into the electrical socket (e.g., an Edison socket) of a lamp.

The electronic switch 110 comprises a hot terminal H and a switched hot terminal SH and is adapted to be coupled in series electrical connection between an AC power source 102 (e.g., 120 V_{AC}@60 Hz or 240 V_{AC}@50 Hz) and a lighting load 104 for controlling the power delivered to the lighting load. The electronic switch 110 generates a switched hot voltage V_{SH} at the switched hot terminal SH. The electronic switch 110 comprises a control actuator 112 (i.e., a control button) for toggling (i.e., turning off and on) the lighting load 104, and a visual indicator 114 for providing feedback of whether the lighting load is on or off. The electronic switch 110 is also operable to turn the lighting load 104 off in response to digital messages received from the keypad 120 and the occupancy sensors 130 via RF signals 106.

The keypad 120 is coupled to the hot and neutral connections of the AC power source 102 via a hot terminal H' and a neutral terminal N, respectively. The keypad 120 comprises an on button 122 and an off button 124 for turning the lighting load 104 on and off, respectively. The keypad 120 is operable to transmit a digital message including an "on" command to the electronic switch 110 in response to an actuation of the on button 122, and to transmit a digital message including an "off" command to the electronic switch 110 in response to an actuation of the off button 124. The keypad 120 further comprises visual indicators 126 provided on the button 122, 124 for providing feedback of whether the lighting load 104 is on or off.

The occupancy sensors 130 are removably mountable to a ceiling or a wall, for example, in the vicinity of (i.e., a space around) the lighting load 104 controlled by the electronic switch 110. The occupancy sensors 130 are operable to detect the presence of an occupant in the space (i.e., an occupancy condition) and the absence of the occupancy (i.e., a vacancy condition) in the vicinity of the lighting load 104. The occupancy sensors 130 may be spaced apart to detect occupancy conditions in different areas of the vicinity of the lighting load 104. The occupancy sensors 130 and the electronic switch 110 operate to turn on the lighting load when one of the occupancy sensors detects that an occupant has entered the space (i.e., at least one sensor detects an occupancy condition) and then to turn off the lighting load when both occupancy sensors detect that the user has left the space (i.e., both sensors detect vacancy conditions).

Alternatively, the occupancy sensors 130 could be implemented as vacancy sensors. A vacancy sensor only operates to turn off the lighting load 104 when the vacancy sensor detects a vacancy in the space. Therefore, when using vacancy sensors, the lighting load 104 must be turned on manually (e.g., in response to a manual actuation of the control actuator 112). Examples of wireless battery-powered occupancy sensors are described in greater detail in U.S. patent application Ser. No. 12/203,500, filed Sep. 3, 2008, entitled BATTERY-POWERED OCCUPANCY SENSOR, the entire disclosure of which is hereby incorporated by reference.

The occupancy sensors **130** each include an internal detector (not shown), e.g., a pyroelectric infrared (PIR) detector. The internal detector is housed in an enclosure **132**, which has a lens **134** for directing infrared energy from an occupant in the space to the internal detector for sensing the occupancy condition in the space. The occupancy sensors **130** are operable to process the output of the internal detector to determine whether an occupancy condition or a vacancy condition is presently occurring in the space, for example, by comparing the output of the PIR detector to a predetermined occupancy voltage threshold. Alternatively, the internal detector could comprise an ultrasonic detector, a microwave detector, or any combination of PIR detectors, ultrasonic detectors, and microwave detectors. The occupancy sensors **130** each operate in an "occupied" state or a "vacant" state in response to the detections of occupancy or vacancy conditions, respectively, in the space. If one of the occupancy sensors **130** is in the vacant state and the occupancy sensor determines that the space is occupied, the occupancy sensor changes to the occupied state. Similarly, the occupancy sensor **130** changes to the vacant state, if the occupancy sensor is in the occupied state and the occupancy sensor determines that the space is unoccupied.

During a setup procedure of the RF lighting control system **100**, the electronic switch **110** and the keypad **120** may be assigned to (i.e., associated with) the occupancy sensors **130**. The setup and configuration of a lighting control system including occupancy sensors is described in greater detail in U.S. patent application Ser. No. 12/371,027, filed Feb. 13, 2009, entitled METHOD AND APPARATUS FOR CONFIGURING A WIRELESS SENSOR, the entire disclosure of which is hereby incorporated by reference.

The occupancy sensors **130** transmit digital messages wirelessly via the RF signals **106** in response to the present state of the occupancy sensors (i.e., whether an occupancy condition or a vacancy condition has been detected). The electronic switch **110** turns the lighting load **104** on and off in response to the digital messages received via the RF signals **106**. A digital message transmitted by the remote occupancy sensors **130** may include a command and identifying information, for example, a serial number associated with the transmitting occupancy sensor. The electronic switch **110** is responsive to messages containing the serial numbers of the remote occupancy sensors **130** to which the electronic switch is assigned. The operation of the RF lighting control system **100** is described in greater detail in U.S. patent application Ser. No. 12/203,518, filed Sep. 3, 2008, entitled RADIO-FREQUENCY LIGHTING CONTROL SYSTEM WITH OCCUPANCY SENSING, the entire disclosure of which is hereby incorporated by reference.

The commands included in the digital messages transmitted by the occupancy sensors **130** may comprise an occupied command (e.g., an occupied-take-action command or an occupied-no-action command) or a vacant command. When the lighting load **104** is off, the electronic switch **110** is operable to turn on the lighting load in response to receiving a first occupied-take-action command from any one of the occupancy sensors **130**. The electronic switch **110** is operable to turn off the lighting load **104** in response to the last vacant command received from those occupancy sensors **130** from which the occupancy sensor received either occupied-take-action or occupied-no-action commands. For example, if the occupancy sensors **130** both transmit occupied-take-action commands to the electronic switch **110**, the

electronic switch will not turn off the lighting load **104** until subsequent vacant commands are received from both of the occupancy sensors.

Each occupancy sensor **130** also comprises an internal ambient light detector (not shown), e.g., a photocell, for detecting the level of ambient light around the occupancy sensor. The occupancy sensor **130** measures the ambient light level when an occupancy condition is first detected and compares the ambient light level to a predetermined ambient light level threshold. If the measured ambient light level is less than the predetermined level when an occupancy condition is first detected by one of the occupancy sensors **130**, the occupancy sensor transmits the occupied-take-action command to the electronic switch **110**. On the other hand, if the measured ambient light level is greater than the predetermined level when an occupancy condition is first detected, the occupancy sensor **130** transmits the occupied-no-action command to the electronic switch **110**. Accordingly, the electronic switch **110** does not turn on the lighting load **104** if the ambient light level in the space is sufficient.

The occupancy sensors **130** are each characterized by a predetermined occupancy sensor timeout period $T_{TIMEOUT}$, which provides some delay in the adjustment of the state of the occupancy sensor, specifically, in the transition from the occupied state to the vacant state. The predetermined timeout period $T_{TIMEOUT}$ denotes the time between the last detected occupancy condition and the transition of the occupancy sensor **130** from the occupied state to the vacant state. The predetermined occupancy sensor timeout period $T_{TIMEOUT}$ may be user-selectable, for example, ranging from approximately five to thirty minutes. Each occupancy sensor **130** will not transmit a vacant command until the occupancy sensor timeout period $T_{TIMEOUT}$ has expired. Each occupancy sensor **130** maintains an occupancy timer to keep track of the time that has expired since the last detected occupancy condition. The occupancy sensors **130** periodically restart the occupancy timers in response to detecting a continued occupancy condition. Accordingly, the occupancy sensors **130** do not change to the vacant state, and the lighting load **104** is not turned off, in response to brief periods of a lack of movement of the occupant in the space. If the occupancy sensor **130** fails to continue detecting the occupancy conditions, the occupancy sensor uses the occupancy timer to wait for the length of the occupancy sensor timeout period $T_{TIMEOUT}$, after which the occupancy sensor changes to the vacant state and transmits a vacant command to the electronic switch **110**.

FIG. 2 is a simplified block diagram of the electronic switch **110**. The electronic switch **110** comprises a controllably conductive device (e.g., a latching relay **210**) connected in series electrical connection between the hot terminal H and the switched hot terminal SH. The relay **210** conducts a load current I_L from the AC power source **102** to the lighting load **104** when the relay is closed (i.e., conductive). The load current I_L may have, for example, a magnitude of approximately five amps depending upon the type of lighting load **104**. The electronic switch **110** further comprises a bidirectional semiconductor switch **212** coupled in parallel electrical connection with the relay **210** for minimizing the inrush current conducted through the relay **210** (and thus limiting any arcing that may occur at the contacts of the relay) when the lighting load **104** is first turned on. Specifically, the bidirectional semiconductor switch **212** is controlled to be conductive before the relay **210** is rendered conductive when the electronic switch **110** is turning on the lighting load **104**, and is controlled to be non-conductive after the relay is rendered non-conductive when the elec-

tronic switch is turning of the lighting load. The bidirectional semiconductor switch **212** may comprise, for example, a triac, a field-effect transistor (FET) in a rectifier bridge, two FETs in anti-series connection, one or more silicon-controlled rectifiers (SCRs), one or more insulated-gate bipolar junction transistors (IGBTs), or any other suitable type of bidirectional semiconductor switch.

The relay **210** and the bidirectional semiconductor switch **212** are independently controlled by a controller **214**. For example, the controller **214** may be a microcontroller, but may alternatively be any suitable processing device, such as a programmable logic device (PLD), a microprocessor, an application specific integrated circuit (ASIC), or a field-programmable gate array (FPGA). The controller **214** is coupled to SET and RESET terminals (e.g., SET and RESET coils) of the relay **210** for causing the relay to become conductive and non-conductive, respectively. Specifically, the controller **214** generates a relay-set control signal $V_{RLY-SET}$ for driving the SET coil and a relay-reset control signal $V_{RLY-RESET}$ for driving the RESET coil. The controller **214** also provides a BSS-drive control signal $V_{BSS-DRIVE}$ to the a control input of the bidirectional semiconductor switch **212** via a gate drive circuit **216** for rendering the bidirectional semiconductor switch conductive.

The electronic switch **110** comprises two power supplies: an on-state (in-line) power supply **220** and an off-state power supply **222**. Both power supplies **220**, **222** operate to generate a DC supply voltage V_{CC} (e.g., having an average magnitude of approximately five volts) across an output capacitor C_{OUT} (e.g., having a capacitance of approximately 680 μ F). The controller **214** and other low-voltage circuitry of the electronic switch **110** are powered from the DC supply voltage V_{CC} . The bidirectional semiconductor switch **212** is coupled in series electrical connection with the parallel combination of the relay **210** and the on-state power supply **220**. The on-state power supply **220** operates to generate the DC supply voltage V_{CC} when the relay **210** is closed and the lighting load **104** is on as will be described in greater detail below. The off-state power supply **222** is coupled in parallel electrical connection with the relay **210** and the bidirectional semiconductor switch **212** and operates to generate the DC supply voltage V_{CC} when the relay **210** is open and the lighting load **104** is off. Since the output capacitor C_{OUT} is referenced to the circuit common of the on-state power supply **220**, the off-state power supply **222** may comprise an isolated power supply.

The controller **214** receives inputs from a momentary tactile (i.e., mechanical) switch **S224**, which temporarily closes in response to actuations of the control actuator **112** of the electronic switch **110**. The series combination of the switch **S224** and a resistor **S226** (e.g., having a resistance of approximately 15 k Ω) is coupled between the DC supply voltage V_{CC} and the circuit common. When the control actuator **112** is actuated and the switch **S224** is temporarily closed, the input port of the controller **214** is pulled down towards circuit common, thus signaling to the controller **214** that the switch **S224** has been actuated. Accordingly, the controller **214** is operable to control the relay **210** and the bidirectional semiconductor switch **212** to toggle the lighting load **104** on and off in response to actuations of the switch **S224**. The controller **214** is further operable to control the visual indicator **114** to be illuminated when the lighting load **104** is on and not illuminated when the lighting load is off.

The controller **214** is also coupled to a memory **228** for storage of the serial number of the keypad **120** and the occupancy sensors **130** to which the electronic switch **110** is

assigned. The memory **228** may be implemented as an external integrated circuit (IC) or as an internal circuit of the controller **214**. The electronic switch **110** further comprises an RF transceiver **230** and an antenna **232** for transmitting and receiving the RF signals **106** with the keypad **120** and the occupancy sensors **130**. The controller **214** is operable to control the relay **210** and the bidirectional semiconductor switch **212** in response to the digital messages received via the RF signals **106**. Examples of the antenna **232** for wall-mounted load control devices, such as the electronic switch **110**, are described in greater detail in U.S. Pat. No. 5,982,103, issued Nov. 9, 1999, and U.S. patent application Ser. No. 10/873,033, filed Jun. 21, 2006, both entitled COMPACT RADIO FREQUENCY TRANSMITTING AND RECEIVING ANTENNA AND CONTROL DEVICE EMPLOYING SAME, the entire disclosures of which are hereby incorporated by reference.

Alternatively, the electronic switch **110** could simply comprise an RF receiver for only receiving digital messages from the keypad **120** and the occupancy sensors **130** via the RF signals **106**. In addition, the electronic switch **110** could alternatively comprise an infrared (IR) receiver for receipt of IR signals, a wired communication circuit for connection to a wired communication link, a power-line carrier (PLC) communication circuit, or another type of communication circuit. Examples of lighting control system including other types of communication circuits are described in greater detail in U.S. Pat. No. 6,545,434, issued Apr. 8, 2003, entitled MULTI-SCENE PRESET LIGHTING CONTROLLER; U.S. Pat. No. 7,423,413, issued Sep. 8, 2009, entitled POWER SUPPLY FOR A LOAD CONTROL DEVICE; and U.S. patent application Ser. No. 11/447,431, filed Jun. 6, 2006, entitled SYSTEM FOR CONTROL OF LIGHTS AND MOTORS; the entire disclosures of which are hereby incorporated by reference.

The on-state power supply **220** generates the DC supply voltage V_{CC} while allowing the electronic switch **110** to provide substantially all of the AC line voltage to the lighting load **104** when the lighting load is on. When the output capacitor C_{OUT} is charging through the on-state power supply **220** (while the relay **210** is conductive), the voltage developed across the on-state power supply has a substantially small magnitude (e.g., approximately the DC supply voltage V_{CC} , i.e., approximately five volts) as compared to the peak voltage of the AC line voltage of the AC power source **102**. In other words, the on-state power supply **220** imposes a substantially low voltage drop as compared to the peak voltage of the AC line voltage of the AC power source **102**, such that the voltage provided to the lighting load **104** (i.e., switched hot voltage V_{SH}) is only slightly smaller when the output capacitor C_{OUT} is charging. For example, the peak voltage of the AC line voltage is approximately 340 volts when the RMS voltage of the AC power source **102** is 240 V_{AC} , while the voltage developed across the on-state power supply **220** is equal to approximately the DC supply voltage V_{CC} (i.e., approximately five volts) for only a portion of each half cycle of the AC power source **102**.

The on-state power supply **220** conducts a charging current I_{CHRG} (FIG. 3) through the output capacitor C_{OUT} for charging the output capacitor. The output capacitor C_{OUT} is adapted to conduct the load current I_L for at least a portion of a line cycle of the AC power source **102** when the relay is conductive. Accordingly, the charging current I_{CHRG} is equal to the load current I_L for at least a portion of a line cycle of the AC power source **102** when the relay is conductive. The on-state power supply **220** is able to operate

properly when the lighting load **104** is a low-power load, e.g., having a power rating down to approximately 25 W (and a voltage rating of 240 V_{AC}). In other words, the on-state power supply **220** is operable to appropriately charge the output capacitor C_{OUT} to keep the controller **214** powered when the load current I_L has a magnitude as low as approximately 100 mA.

Since the lighting load **104** may cause the load current I_L of the on-state power supply **220** to be a non-sinusoidal current (e.g., if the lighting is a compact fluorescent lamp), the output capacitor C_{OUT} may not be able to conduct the charging current I_{CHRG} through the lighting load during certain portions of the line cycle of the AC power source **102**. Accordingly, the on-state power supply **220** controls when the output capacitor C_{OUT} is able to charge in a manner that is asynchronous with respect to the frequency of the AC line voltage of the AC power source **102**, such that the power supply is operable to start and stop charging at any time during each half cycle (i.e., at any time between the beginning and the end of the half cycle). Specifically, the on-state power supply **220** is operable to begin charging the output capacitor C_{OUT} when the magnitude of the DC supply voltage V_{CC} drops to a minimum supply voltage V_{CC-MIN} (e.g., approximately five volts). However, the output capacitor C_{OUT} may not begin charging until the output capacitor C_{OUT} is able to conduct the load current I_L through the lighting load **104** (i.e., if the load current I_L is non-sinusoidal). The on-state power supply **220** always stops charging when the magnitude of the DC supply voltage rises to a maximum supply voltage V_{CC-MAX} (e.g., approximately six volts). When the lighting load **104** is a resistive load, such as an incandescent lamp (i.e., the load current I_L is sinusoidal), the charging current I_{CHRG} of the on-state power supply **220** may be asynchronous with respect to the frequency of the AC line voltage (as shown FIG. 4A). Alternatively, if the lighting load **104** conducts a non-sinusoidal load current I_L, the charging current I_{CHRG} may be synchronous with respect to the line voltage frequency (as shown in FIG. 4B).

In order to minimize visible flickering in the lighting load **104**, the on-state power supply **220** draws current from the AC power source **102** at least once every half cycle of the AC power source **102**. Accordingly, the time period between any two consecutive pulses of the charging current I_{CHRG} is less than the period T_{HC} of a half cycle (e.g., approximately ten milliseconds for a 50-Hz power source), and thus the frequency of the pulses of the charging current I_{CHRG} is greater than the twice the line voltage frequency (e.g., approximately 100 Hz), so as avoid visible flickering in the lighting load **104**. The time period between any two consecutive pulses of the charging current I_{CHRG} may be approximately equal to the period T_{HC} of a half cycle if the charging current I_{CHRG} is synchronous with respect to the line voltage frequency (as shown in FIG. 4B).

The controller **214** is operable to monitor the operation of the on-state power supply **220** in order to determine the appropriate times to perform actions that require larger amounts of current to be drawn from the output capacitor C_{OUT}, such as energizing the coils of the relay **210**. The on-state power supply **220** provides to the controller **214** a feedback control signal V_{FB}, which is representative of whether the output capacitor C_{OUT} is charging or not as will be described in greater detail below. The controller **214** may be operable to energize the SET and RESET coils of the relay **210** immediately after the output capacitor C_{OUT} stops charging, i.e., when the magnitude of the DC supply voltage

V_{CC} is equal to the maximum supply voltage V_{CC-MAX} and the maximum amount of voltage is available to energize the coils.

FIG. 3 is a simplified schematic diagram of the in-line power supply **220** according to the first embodiment of the present invention. The on-state power supply **220** includes a bidirectional semiconductor switch **310** comprising, for example, two FETs Q312, Q314 coupled in anti-series connection. The on-state power supply **220** also comprises a full-wave rectifier bridge that includes the body diodes of the two FETs Q312, Q314 in addition to two diodes D316, D318, which are all coupled to the output capacitor C_{OUT}, for allowing the output capacitor to charge from the AC power source **102** through the lighting load **104**. The rectifier bridge has AC terminals coupled in series between the switched hot terminal SH and the relay **210**, and DC terminals for providing a rectified voltage V_{RECT}. The output capacitor C_{OUT} is coupled in series between the DC terminals of the rectifier bridge, such that the output capacitor is able to charge from the AC power source **102** through the rectifier bridge and the lighting load **104**. The anti-series-connected FETs Q312, Q314 are coupled in parallel electrical connection with the AC terminals of the rectifier bridge, such that the FETs are operable to conduct the load current I_L from the AC power source **102** to the lighting load **104** when the FETs are conductive, and the output capacitor C_{OUT} is operable to conduct the load current I_L when the FETs are non-conductive.

The output capacitor C_{OUT} is also coupled in series with an over-current detect resistor R320 (e.g., having a resistance of approximately 0.1Ω) and a positive-temperature-coefficient (PTC) thermistor R322, which allow for the detection of fault conditions (e.g., an over-current or an over-temperature condition in the electronic switch **110**), as will be described in greater detail below with reference to FIG. 5. For example, the PTC thermistor R322 may comprise part number B59807A0090A062, manufactured by EPCOS, Inc., which has a maximum nominal resistance of approximately 400Ω. A fault voltage V_{FAULT} is generated across the series combination of the PTC thermistor R322 and the output capacitor C_{OUT} and has a magnitude approximately equal to the magnitude of the DC supply voltage V_{CC} during normal operating conditions (i.e., in absence of a fault condition).

The on-state power supply **220** comprises a control circuit **330**, which operates, during normal operation, to render the FETs Q312, Q314 non-conductive to temporarily and briefly block the load current I_L. This allows the output capacitor C_{OUT} to conduct the load current I_L and to thus charge for at least a portion of a line cycle of the AC power source **102** when the relay **210** is conductive. Accordingly, the magnitude of the DC supply voltage V_{CC} increases when the bidirectional semiconductor switch **310** is non-conductive and decreases when the bidirectional semiconductor switch is conductive. Specifically, the control circuit **330** renders the FETs Q312, Q314 non-conductive when the magnitude of the DC supply voltage V_{CC} drops to the minimum supply voltage V_{CC-MIN} (i.e., approximately five volts) and renders the FETs conductive when the magnitude of the DC supply voltage V_{CC} rises to the maximum supply voltage V_{CC-MAX} (i.e., approximately six volts).

The control circuit **330** of the on-state power supply **260** comprises, for example, an analog circuit having a comparator U332 for controlling when the FETs Q312, Q314 are conductive in response to the magnitude of the DC supply voltage V_{CC}. A resistor divider comprising two resistors R334, R336 is coupled between the DC supply voltage V_{CC}

and circuit common and provides a scaled voltage that is representative of the magnitude of the DC supply voltage V_{CC} to the positive terminal of the comparator U332. The resistors R334, R336 may have, for example, resistances of approximately 40.2 k Ω and 11 k Ω , respectively.

The control circuit 330 comprises a shunt regulator D338 (e.g., part number TLV431 manufactured by Texas Instruments) having a cathode connected to the DC supply voltage V_{CC} through a resistor R340 (e.g., having a resistance of approximately 11 k Ω). The cathode of the shunt regulator D338 is coupled to the reference terminal of the shunt regulator and to the negative terminal of the comparator U332, such that a fixed reference voltage (e.g., approximately 1.24 V) is provided at the negative terminal. A resistor R342 (e.g., having a resistance of approximately 47 k Ω) is coupled between the positive terminal and the output terminal of the comparator U332 for providing some hysteresis in the operation of the on-state power supply 220. The output of the comparator U332 is pulled up to the DC supply voltage V_{CC} through a resistor R344 (e.g., having a resistance of approximately 11 k Ω). When the scaled voltage at the positive terminal of the comparator U332 is less than the fixed reference voltage (i.e., 1.24 V) at the negative terminal of the comparator, the output terminal of the comparator U332 is driven low, so as to render the FETs Q312, Q314 non-conductive as will be described below. Alternatively, the control circuit 330 of the on-state power supply 220 could comprise a digital circuit that includes, for example, a microprocessor, a PLD, an ASIC, an FPGA, or other suitable type of integrated circuit. The comparator U332 may comprise part number LM2903 manufactured by National Semiconductor Corporation.

The output of the comparator U332 is coupled to the base of an NPN bipolar junction transistor Q345 via a resistor R346 (e.g., having a resistance of approximately 22 k Ω). The collector of the transistor Q345 is coupled to the DC supply voltage V_{CC} via two resistors Q348, Q350 (e.g., having resistances of 100 k Ω and 22 k Ω , respectively). The base of a PNP bipolar junction transistor Q352 is coupled to the junction of the two resistors Q348, Q350. The collector of the transistor Q352 is coupled to the gates of the FETs Q312, Q314 via two respective gate resistors R354, R356 (e.g., both having a resistance of approximately 8.2 k Ω). When the output terminal of the comparator U332 is pulled high towards the DC supply voltage V_{CC} , the transistors Q345, Q352 are both rendered conductive. Accordingly, the DC supply voltage V_{CC} is coupled to the gates of the FETs Q312, Q314 via the respective gate resistors R354, R356, thus rendering the FETs conductive. When the output terminal of the comparator U332 is driven low (i.e., approximately at circuit common) and the transistors Q345, Q352 are rendered non-conductive, the gate capacitances of the gates of the FETs discharge through a resistor R358 (e.g., having a resistance of approximately 8.2 k Ω) and the FETs are rendered non-conductive.

FIG. 4A is a simplified diagram of example waveforms illustrating the operation of the on-state power supply 220 when the lighting load 104 is a resistive load, such as an incandescent lamp, and the charging current I_{CHRG} is asynchronous with respect to the frequency of the AC power source 102. While the FETs Q312, Q314 are non-conductive, the DC supply voltage V_{CC} increases in magnitude (from the minimum supply voltage V_{CC-MIN} to the maximum supply voltage V_{CC-MAX}) during a charging time T_{CHRG} . During the charging time T_{CHRG} , the scaled voltage at the positive terminal of the comparator U332 (which is representative of the magnitude of the DC supply voltage

V_{CC}) is less than the reference voltage of the shunt regulator D338 at the negative terminal. When the magnitude of the DC supply voltage V_{CC} exceeds the maximum supply voltage V_{CC-MAX} , the output of the comparator U332 is driven high towards the DC supply voltage V_{CC} and the FETs Q312, Q314 are rendered conductive (as shown by the gate voltages V_G in FIG. 4A). At this time, the voltage at the positive terminal of the comparator U332 is pulled high towards the DC supply voltage V_{CC} . Since the FETs Q312, Q314 are conductive, the magnitude of the DC supply voltage V_{CC} and the magnitude of the scaled voltage at the negative terminal of the comparator U332 begin to decrease as the controller 214 and other low-voltage circuits of the electronic switch 110 draw current from the output capacitor C_{OUT} .

When the magnitude of the DC supply voltage V_{CC} drops below the minimum supply voltage V_{CC-MIN} , the scaled voltage at the positive terminal of the comparator U332 becomes less than the reference voltage of the shunt regulator D338 at the negative terminal. The output of the comparator U332 is driven low towards circuit common, and the FETs Q312, Q314 are rendered non-conductive, thus allowing the output capacitor C_{OUT} to charge and the DC supply voltage V_{CC} to increase in magnitude during the charging time T_{CHRG} . As a result of the operation of the power supply 220, only a low-voltage drop (i.e., approximately five volts) is developed across the power supply and the switched hot voltage V_{SH} has only small "notches" (i.e., small changes in magnitude) when the output capacitor C_{OUT} is charging as shown in FIG. 4A. Note that the worst case charging time T_{CHRG} may be equal to approximately the period T_{HC} of a half cycle of the AC power source 102 if the output capacitor C_{OUT} charges and discharges such that the magnitude of the DC supply voltage V_{CC} does not exceed the maximum supply voltage V_{CC-MAX} .

FIG. 4B is a simplified diagram of example waveforms illustrating the operation of the on-state power supply 220 when the load current I_L is non-sinusoidal (e.g., the lighting load 104 is a compact fluorescent lamp), and the charging current I_{CHRG} is synchronous with respect to the frequency of the AC power source 102. As shown in FIG. 4B, the charging current I_{CHRG} does not immediately begin flowing when the magnitude of the DC supply voltage drops below the minimum supply voltage V_{CC-MIN} even though the gate voltages V_G are driven low and the FETs Q312, Q314 are rendered non-conductive. The charging current I_{CHRG} begins flowing when the lighting load 104 begins conducting the load current I_L , which occurs at approximately the same time each half cycle, such that the charging current I_{CHRG} is symmetric with respect to the frequency of the AC power source 102. Once again, only a low-voltage drop is developed across the power supply 220 and the switched hot voltage V_{SH} has only small notches when the output capacitor C_{OUT} is charging as shown in FIG. 4B.

Referring back to FIG. 3, the feedback control signal V_{FB} , which is provided to the controller 214, is generated at the collector of the transistor Q345. Thus, the feedback control signal V_{FB} is the inverse of the gate voltage V_G shown in FIGS. 4A and 4B. When the transistor Q345 is conductive (i.e., the FETs Q312, Q314 are conductive and the output capacitor C_{OUT} is discharging), the feedback control signal V_{FB} is driven low towards circuit common (i.e., a logic low level). When the transistor Q345 is non-conductive (i.e., the FETs Q312, Q314 are non-conductive and the output capacitor C_{OUT} is charging), the feedback control signal V_{FB} is pulled up towards the DC supply voltage V_{CC} (i.e., a logic high level). When the controller 214 is ready to render the

relay **210** conductive or non-conductive, the controller may wait until the feedback control signal V_{FB} transitions from high to low (i.e., the magnitude of the DC supply voltage V_{CC} is at the maximum supply voltage C_{CC-MAX}) before energizing either the SET coil or the RESET coil of the relay.

The controller **214** is operable to determine if the electronic switch **110** is overloaded (i.e., if an overload condition is occurring) in response to the charging time T_{CHRG} required to charge the output capacitor C_{OUT} . For example, the electronic switch **110** may be overloaded if the lighting load **104** causes the load current I_L conducted through the relay **210** to have a magnitude of approximately eight amps. Specifically, the controller **214** is operable measure the length of the time period between the low-to-high and high-to-low transitions of the feedback control signal V_{FB} (i.e., the length of the charging time T_{CHRG} when the output capacitor C_{OUT} is charging). As the magnitude of the load current I_L increases, the charging time T_{CHRG} required to charge the output capacitor C_{OUT} decreases. Therefore, the controller **214** is operable to compare the time period between the low-to-high and high-to-low transitions of the feedback control signal V_{FB} to a predetermined charging time threshold $T_{CHRG-TH}$ (e.g., approximately 85 μ sec) to determine if an overload condition may be occurring. Specifically, the controller **214** determines that the overload condition is occurring in response to detecting that a percentage (e.g., 10%) of the charging times T_{CHRG} are less than the predetermined charging time threshold, for example, if ten of the last one hundred time periods between the low-to-high and high-to-low transitions of the feedback control signal V_{FB} are less than approximately 85 μ sec. The controller **214** opens the relay **210** when the overload condition is detected. In addition, the controller **214** may blink the visual indicator **114** in response to detecting the overload condition.

FIG. **5** is a simplified schematic diagram showing how the in-line on-state power supply **220** is coupled to the latching relay **210** and the drive circuit **216** for the bidirectional semiconductor switch **212** to provide for fault detection and protection of the electronic switch **110**. The SET coil of the relay **210** is coupled between the relay-set control signal $V_{RLY-SET}$ and the DC supply voltage V_{CC} . When the controller **214** drives the relay-set control signal $V_{RLY-SET}$ low to approximately circuit common, the mechanical switch of the relay **210** is rendered conductive. The RESET coil of the relay **210** is coupled between the relay-reset control signal $V_{RLY-RESET}$ and the fault voltage V_{FAULT} , which has a magnitude approximately equal to the magnitude of the DC supply voltage V_{CC} during normal operating conditions (i.e., in absence of an over-temperature condition). The relay-reset control signal $V_{RLY-RESET}$ is also coupled to the DC supply voltage V_{CC} through a diode **D305**. When the controller **214** drives the relay-reset control signal $V_{RLY-RESET}$ low to approximately circuit common during normal operating conditions, the mechanical switch of the relay **210** is rendered non-conductive.

If the output capacitor C_{OUT} were to fail shorted when the latching relay **210** is conductive, the temperatures of the FETs **Q312**, **Q314** of the on-state power supply **220** may increase to undesirable levels. According to an aspect of the present invention, when an over-temperature condition is detected in the FETs **Q312**, **Q314** of the on-state power supply **220**, the electronic switch **110** controls the latching relay **210** (e.g., to open the relay) in order to remove the over-temperature condition. Specifically, the PTC thermistor **R322** is thermally coupled to the FETs **Q312**, **Q314**, such that the resistance of the PTC thermistor increases as the

combined temperature of the FETs increases during the over-temperature condition, thus causing the fault voltage V_{FAULT} to increase in magnitude. Since the series combination of the diode **D305** and the RESET coil of the relay **210** is coupled between the fault voltage V_{FAULT} and the DC supply voltage V_{CC} (i.e., in parallel with the output PTC thermistor **R322**), current begins to flow through the RESET coil as the resistance of the PTC thermistor increases and the magnitude of the fault voltage V_{FAULT} increases. The relay **210** is rendered non-conductive when the combined temperature of the FETs **Q312**, **Q314** increases above a predetermined temperature threshold T_{FAULT} (e.g., approximately 90° F.). In other words, the relay **210** is rendered non-conductive when the fault voltage V_{FAULT} increases such that the voltage across the RESET coil renders the relay **210** non-conductive. Accordingly, the current through the FETs **Q312**, **Q314** is controlled to zero amps and the fault condition is removed (i.e., the temperatures of the FETs will decrease below the undesirable levels). The relay **210** is rendered conductive in response to the over-temperature condition independent of the magnitude of the relay-reset control signal $V_{RLY-RESET}$. In addition, the relay **210** could be rendered conductive in response to an over-temperature condition in other circuits of the electronic switch **110**.

As shown in FIG. **5**, the bidirectional semiconductor switch **212** is implemented as a triac. The drive circuit **216** comprises an optocoupler **U380** having an output phototriac coupled in series with the gate of the bidirectional semiconductor switch **212**. When the output phototriac of the optocoupler **U380** is conductive, the output phototriac conducts a gate current through two resistors **8382**, **8384** each half cycle of the AC power source **102**, thus rendering the bidirectional semiconductor switch **216** conductive each half cycle. The resistors **R382**, **R384** may both have, for example, resistances of approximately 100 Ω .

The optocoupler **U380** also has an input photodiode having an anode coupled to the rectified voltage V_{RECT} of the on-state power supply **220**. An NPN bipolar junction transistor **Q385** is coupled in series with the input photodiode of the optocoupler **U380**. The controller **214** is coupled to the base of the transistor **Q385** via a resistor **R386** (e.g., having a resistance of approximately 1 k Ω). When the transistor **Q385** is rendered conductive, the transistor conducts a drive current through the input photodiode of the optocoupler **U380** and a resistor **R388** (e.g., having a resistance of approximately 330 Ω), thus rendering the output optotriac and the bidirectional semiconductor switch **212** conductive.

According to another aspect of the present invention, when an over-current condition is detected in the in-line on-state power supply **220**, the electronic switch **110** uses the bidirectional semiconductor switch **212** to remove the over-current condition. The over-current condition may be caused by an inrush current conducted through the relay **210**, for example, when the lighting load **104** is a capacitive load, such as a screw-in compact fluorescent lamp or an electronic low-voltage (ELV) lighting load. For example, the inrush current may have a magnitude greater than approximately three hundred amps and last for approximately two milliseconds as defined by the NEMA 410 Standard published by the National Electrical Manufacturers Association (NEMA). To protect the on-state power supply **220** from the over-current condition, the bidirectional semiconductor switch **212** is rendered conductive when the current through the over-current detect resistor **R320** of the on-state power supply **220** exceeds a predetermined current threshold I_{FAULT} (e.g., approximately forty amps). At this time, the

voltage across the on-state power supply 220 is reduced to approximately the on-state voltage of the bidirectional semiconductor switch 212 (e.g., approximately one volt), which causes the power supply to stop charging the output capacitor C_{OUT} and eliminates the over-current condition.

Referring back to FIG. 5, the over-current detect resistor R320 of the on-state power supply 220 is coupled in parallel with the series combination of the input photodiode of the optocoupler U380, a diode D390, and a resistor R392 (e.g., having a resistance of approximately 47Ω). When the current through the over-current detect resistor R320 exceeds the predetermined current threshold I_{FAULT} , the voltage generated across the series combination of the input photodiode of the optocoupler U380, the diode D390, and the resistor R392 causes the output phototriac of the optocoupler to be rendered conductive. Accordingly, the bidirectional semiconductor switch 212 is rendered conductive and the over-current condition is eliminated. Since the bidirectional semiconductor switch 212 is a triac, the bidirectional semiconductor switch becomes non-conductive at the end of the half cycle when the current through the bidirectional semiconductor switch drops to approximately zero amps. The bidirectional semiconductor switch 212 will be rendered conductive once again during the next half cycle if the over-current condition remains.

FIG. 6 is a simplified flowchart of a button procedure 400 executed by the controller 214 of the electronic switch 110 in response to an actuation of the switch S224 at step 410. The controller 214 uses two timers, e.g., a relay timer and a bidirectional semiconductor switch (BSS) timer, to control when the relay 210 and the bidirectional semiconductor switch 212 become conductive and non-conductive. When the relay timer expires, the controller 214 executes a relay timer procedure 600 to render the relay 210 conductive if the lighting load 104 is off and to render the relay non-conductive if the lighting load is on (as will be described in greater detail below with reference to FIG. 8). When the BSS timer expires, the controller 214 executes a BSS timer procedure 700 to control the bidirectional semiconductor switch 212 to become conductive if the lighting load 104 is off and to become non-conductive if the lighting load is on (as will be described in greater detail below with reference to FIG. 9). The controller 214 executes a received keypad message procedure (not shown), which is similar to the button procedure 400, in response to receiving an on command (when the on button 122 is actuated) and an off command (when the off button 124).

Referring to FIG. 6, if the lighting load 104 is off at step 412, the controller 214 initializes the BSS timer to a BSS-turn-on time t_{BSS-ON} , and starts the BSS timer decreasing in value with respect to time at step 414. The controller 214 then initializes the relay timer to a relay-turn-on time t_{RLY-ON} , and starts the relay timer decreasing in value with respect to time at step 416, before the button procedure 400 exits. For example, the BSS-turn-on time t_{BSS-ON} may be approximately zero milliseconds and the relay-turn-on time t_{RLY-ON} may be approximately thirty milliseconds, such that the bidirectional semiconductor switch 212 will be rendered conductive before the relay 210 is rendered conductive. If the lighting load 104 is on at step 412, the controller 214 immediately renders the bidirectional semiconductor switch 212 conductive at step 418. The controller 214 then initializes the relay timer to a relay-turn-off time $t_{RLY-OFF}$, and starts the relay timer decreasing in value with respect to time at step 420. Finally, the controller 214 initializes the BSS timer to a BSS-turn-off time $t_{BSS-OFF}$, and starts the BSS timer decreasing in value with respect to time at step 422,

before the button procedure 400 exits. For example, the relay-turn-off time $t_{RLY-OFF}$ may be approximately thirty milliseconds and the BSS-turn-off time $t_{BSS-OFF}$ may be approximately sixty milliseconds, such that the relay 210 will be rendered non-conductive before the bidirectional semiconductor switch 212 becomes non-conductive.

FIG. 7 is a simplified flowchart of a received occupancy message procedure 500 executed by the controller 214 of the electronic switch 110 in response to receiving a digital message from one of the occupancy sensors 130 via the RF signals 106 at step 510. The controller 214 keeps track of the states of the occupancy sensor 130 to which the electronic switch 110 is assigned in response to the digital messages received from the occupancy sensors. Specifically, if the controller 214 receives an occupied-take-action command or an occupied-no-action command from an occupancy sensor 130, the controller marks the serial number of the occupancy sensor as "occupied" in the memory 228. If the controller 214 receives a vacant command from the occupancy sensor 130, the controller marks the serial number of the occupancy sensor as "vacant" in the memory 228. The controller waits for a vacant command from all of the occupancy sensors to which the electronic switch 110 is assigned before turning off the lighting load 104.

Referring to FIG. 7, after receiving the digital message at step 510, the controller 214 first determines whether the serial number provided in the received digital message is stored in the memory 228 at step 512. If not, the controller 214 does not process the received digital message and the received occupancy message procedure 500 exits. If the serial number of the received digital message is stored in the memory 228 at step 512 and the received digital message is an occupied-take-action command at step 514, the controller 214 determines if any of the serial numbers stored in the memory 228 are marked as occupied at step 516 to determine if the space is occupied or vacant. If there are no serial numbers marked as occupied at step 516 (i.e., the space has just become occupied), the controller 214 turns on the lighting load 104 by initializing and starting the BSS timer (using the BSS-turn-on time t_{BSS-ON}) at step 518, and initializing and starting the relay timer (using the relay-turn-on time t_{RLY-ON}) at step 520. The controller 214 then marks the serial number of the received digital message as occupied at step 522 and the received message procedure 510 exits. If there are serial numbers marked as occupied at step 516 (i.e., the space is occupied), the controller 214 marks the serial number of the received digital message as occupied at step 522, before the received occupancy message procedure 500 exits.

If the received digital message is an occupied-no-action command at step 524, the controller 214 does not adjust the amount of power delivered to the lighting load 104. The controller 214 simply marks the serial number as occupied at step 522 and the received occupancy message procedure 500 exits. If the received digital message is a vacant command at step 526, the controller 214 marks the serial number as vacant at step 528. If any of the serial numbers are still marked as occupied at step 530 (i.e., the space is still occupied), the received occupancy message procedure 500 simply exits. However, if all of the serial numbers are marked as vacant at step 530 (i.e., the space is now vacant), the controller 214 controls the lighting load 104 off by immediately rendering the bidirectional semiconductor switch 212 conductive at step 532, initializing and starting the relay timer (using the relay-turn-off time $t_{RLY-OFF}$) at step 534, and initializing and starting the BSS timer (using

the BSS-turn-off time $t_{BSS-OFF}$) at step 536, before the received occupancy message procedure 500 exits.

FIG. 8 is a simplified flowchart of a relay timer procedure 600 executed by the controller 214 when the relay timer expires at step 610. First, the controller 214 waits until the feedback control signal V_{FB} transitions from high to low at step 612 indicating that the magnitude of the DC supply voltage V_{CC} is equal to the maximum supply voltage V_{CC-MAX} . When the controller 214 detects that the feedback control signal V_{FB} has transitioned from high to low at step 612, the controller immediately renders the relay 210 conductive or non-conductive depending upon the present state of the lighting load 104. If the lighting load 104 is off at step 614, the controller 214 renders the relay 210 conductive at step 616 by conducting current through the SET coil of the relay and the relay timer procedure 600 exits. If the lighting load 104 is off at step 614, the controller 214 renders the relay 210 non-conductive at step 618 by conducting current through the RESET coil and the relay timer procedure 600 exits.

FIG. 9 is a simplified flowchart of a BSS timer procedure 700 executed by the controller 214 when the BSS timer expires at step 710. If the lighting load 104 is off at step 712, the controller 214 controls the drive circuit 216 to render the bidirectional semiconductor switch 212 conductive at step 714 and illuminates the visual indicator 214 at step 716, before the BSS timer procedure 700 exits. If the lighting load 104 is off at step 712, the controller 214 controls the drive circuit 216 such that the bidirectional semiconductor switch 212 becomes non-conductive at step 718. The controller 214 then controls the visual indicator 214 to be off at step 720 and the BSS timer procedure 700 exits.

FIG. 10 is a simplified flowchart of an overload detection procedure 800 executed by the controller 214 when the feedback control signal V_{FB} transitions from high to low or low to high at step 810. If the detected transition of the feedback control signal V_{FB} is a low-to-high transition at step 812, the controller 214 initializes a timer (e.g., to zero μ sec) and starts the timer increasing in value with respect to time at step 814, before the overload detection procedure 800 exits. If the detected transition of the feedback control signal V_{FB} is a high-to-low transition at step 812, the controller 214 stores the present value of the timer at step 816. If the timer value is greater than the predetermined charging time threshold $T_{CHRG-TH}$ (i.e., approximately 85 μ sec) at step 818, the overload detection procedure 800 simply exits. However, if the timer value is less than or equal to approximately the predetermined charging time threshold $T_{CHRG-TH}$ at step 818, the controller 214 determines if an overload condition is occurring at step 820. Specifically, the controller 214 determines at step 820 if a percentage (e.g., 10%) of the most recently stored timer values (from step 816) are less than the predetermined charging time threshold, for example, if ten of the last one hundred stored timer values are less than approximately 85 μ sec. If the controller 214 does not detect the overload condition at step 820, the overload detection procedure 800 simply exits. Otherwise, if the controller 214 detects the overload condition at step 820, the controller 214 renders the relay 210 non-conductive at step 822 and blinks the visual indicator 114 at step 824, before the overload detection procedure 800 exits.

While the present invention has been described with reference to the electronic switch 110 controlling the power delivered to a connected lighting load, the concepts of the present invention could be used in any type of control device of a load control system, such as, for example, a dimmer switch for adjusting the intensity of a lighting load (such as

an incandescent lamp, a magnetic low-voltage lighting load, an electronic low-voltage lighting load, and a screw-in compact fluorescent lamp), a remote control, a keypad device, a visual display device, a controllable plug-in module adapted to be plugged into an electrical receptacle, a controllable screw-in module adapted to be screwed into the electrical socket (e.g., an Edison socket) of a lamp, an electronic dimming ballast for a fluorescent load, and a driver for a light-emitting diode (LED) light source, a motor speed control device, a motorized window treatment, a temperature control device, an audio/visual control device, or a dimmer circuit for other types of lighting loads, such as, magnetic low-voltage lighting loads, electronic low-voltage lighting loads, and screw-in compact fluorescent lamps.

Although the present invention has been described in relation to particular embodiments thereof, many other variations and modifications and other uses will become apparent to those skilled in the art. It is preferred, therefore, that the present invention be limited not by the specific disclosure herein, but only by the appended claims.

What is claimed is:

1. A two-wire electronic switch for controlling [the] power delivered from an AC power source to an electrical load, the electronic switch comprising:

a latching relay adapted to be coupled in series electrical connection between the source and the load, the latching relay arranged to conduct a load current through the load when the relay is conductive;

a controller configured to control the relay to be conductive and non-conductive to turn the load on and off, respectively;

an output capacitor arranged to develop a DC supply voltage for powering the controller; and

an in-line power supply coupled in series electrical connection with the relay, the in-line power supply further coupled to the output capacitor for generating the DC supply voltage across the output capacitor when the relay is conductive, the power supply configured to conduct the load current through the output capacitor for at least a portion of a line cycle of the AC power source when the relay is conductive;

wherein the relay is rendered non-conductive in response to an over-temperature condition in the electronic switch.

2. The two-wire electronic switch of claim 1, wherein the power supply comprises a bidirectional semiconductor switch coupled in series with the relay and in parallel with the output capacitor, the power supply configured to render the bidirectional semiconductor switch non-conductive to charge the output capacitor when the relay is conductive.

3. The two-wire electronic switch of claim 2, wherein the controller is configured to provide a relay-set control signal to a SET coil of the relay to render the relay conductive, and a relay-reset control signal to a RESET coil of the relay to render the relay non-conductive, the power supply further comprising a thermistor responsive to a temperature of the power supply, the thermistor electrically coupled to the RESET coil of the relay for rendering the relay non-conductive in response to an over-temperature condition in the power supply.

4. The two-wire electronic switch of claim 3, wherein the thermistor comprises a PTC thermistor thermally coupled to the bidirectional semiconductor switch of the power supply.

5. The two-wire electronic switch of claim 4, wherein the PTC thermistor is coupled in series electrical connection with the output capacitor of the power supply, and [the] a the voltage across the series combination of the output capacitor

21

and the PTC thermistor is electrically coupled to the RESET coil of the relay, the controller configured to control the relay-reset control signal to render the relay non-conductive in absence of the over-temperature condition in the power supply; and

wherein the voltage across the series combination of the output capacitor and the PTC thermistor increases during the over-temperature condition in the power supply, and the relay is rendered non-conductive independent of [the] *a* magnitude of the relay-reset control signal.

6. The *two-wire* electronic switch of claim 2, wherein the power supply further comprises a control circuit coupled to [the] *a* bidirectional semiconductor switch for rendering the bidirectional semiconductor switch conductive and non-conductive, the control circuit responsive to [the] *a* magnitude of the DC supply voltage to render the bidirectional semiconductor switch conductive when the magnitude of the DC supply voltage reaches a maximum DC supply voltage threshold.

7. The *two-wire* electronic switch of claim 6, wherein the control circuit of the power supply is configured to render the bidirectional semiconductor switch non-conductive when the magnitude of the DC supply voltage drops to a minimum DC supply voltage threshold.

8. The *two-wire* electronic switch of claim 2, further comprising:

an off-state power supply coupled in parallel with the series combination of the relay and the in-line power supply, the off-state power supply coupled to the output capacitor for controlling when the output capacitor charges to generate the DC supply voltage across the output capacitor when the relay is non-conductive.

9. The *two-wire* electronic switch of claim 8, further comprising:

a communication circuit configured to receive digital messages;

wherein the controller is configured to turn the load on and off in response to the digital messages received via the communication circuit.

10. The *two-wire* electronic switch of claim 1, wherein the bidirectional semiconductor switch of the power supply comprises two FETS in anti-series connection.

11. The *two-wire* electronic switch of claim 1, further comprising:

a triac coupled in parallel with the series combination of the relay and the power supply, the controller configured to turn on the load by first rendering the triac conductive and then rendering the relay conductive, the controller configured to turn off the load by first rendering the relay non-conductive and then rendering the triac non-conductive;

wherein the triac is rendered conductive in response to an over-current condition in the output capacitor of the power supply.

12. A *two-wire* electronic switch for controlling [the] power delivered from an AC power source to an electrical load, the electronic switch comprising:

a latching relay adapted to be coupled in series electrical connection between the source and the load for turning the load on and off;

a first bidirectional semiconductor switch coupled in parallel electrical connection with the relay, the first bidirectional semiconductor switch comprising a control input;

a controller configured to turn on the load by first rendering the first bidirectional semiconductor switch con-

22

ductive and then rendering the relay conductive, the controller configured to turn off the load by first rendering the relay non-conductive and then rendering the first bidirectional semiconductor switch non-conductive;

an output capacitor arranged to develop a DC supply voltage for powering the controller; and

an in-line power supply coupled in series electrical connection with the relay, the first bidirectional semiconductor switch being electrically connected in parallel with the series combination of the relay and the power supply, the in-line power supply being coupled to the output capacitor for generating the DC supply voltage across the output capacitor when the relay is conductive, the power supply being configured to conduct the load current through the output capacitor for at least a portion of a line cycle of the AC power source when the relay is conductive;

wherein the first bidirectional semiconductor switch is rendered conductive in response to an over-current condition in the output capacitor of the power supply.

13. The *two-wire* electronic switch of claim 12, wherein the power supply comprises a second bidirectional semiconductor switch electrically connected in series with the relay and in parallel with the output capacitor, the power supply being configured to render the second bidirectional semiconductor switch non-conductive to charge the output capacitor when the relay is conductive.

14. The *two-wire* electronic switch of claim 13, further comprising:

a drive circuit coupled between the controller and the control input of the first bidirectional semiconductor switch, the drive circuit being configured to render the first bidirectional semiconductor switch conductive in response to a control signal provided by the controller.

15. The *two-wire* electronic switch of claim 14, wherein the power supply comprises a resistor coupled in series with the output capacitor, the resistor being coupled to the drive circuit, the drive circuit being configured to render the first bidirectional semiconductor switch conductive in response to [the] *a* current through the resistor exceeding a predetermined current threshold.

16. The *two-wire* electronic switch of claim 14, wherein the first bidirectional semiconductor switch comprises a triac.

17. The *two-wire* electronic switch of claim 13, wherein the latching relay is coupled to the power supply, and the relay is rendered non-conductive in response to an over-temperature condition in the power supply.

18. The *two-wire* electronic switch of claim 17, wherein the controller is configured to provide a relay-set control signal to a SET coil of the relay for rendering the relay conductive, and a relay-reset control signal to a RESET coil of the relay for rendering the relay non-conductive, the power supply further comprising a PTC thermistor thermally coupled to the second bidirectional semiconductor switch of the power supply, the PTC thermistor being coupled in series electrical connection with the output capacitor of the power supply, [the] *a* voltage across the series combination of the output capacitor and the PTC thermistor *being* electrically [being] coupled to the RESET coil of the relay, the controller being configured to control the relay-reset control signal to render the relay non-conductive in absence of the over-temperature condition in the power supply; and

wherein the voltage across the series combination of the output capacitor and the PTC thermistor increases during the over-temperature condition in the power

23

supply, and the relay is rendered non-conductive independent of [the] a magnitude of the relay-reset control signal.

19. The *two-wire* electronic switch of claim 13, wherein the power supply further comprises a control circuit coupled to the second bidirectional semiconductor switch for rendering the second bidirectional semiconductor switch conductive and non-conductive, the control circuit being responsive to [the] a magnitude of the DC supply voltage to render the second bidirectional semiconductor switch conductive when the magnitude of the DC supply voltage reaches a maximum DC supply voltage threshold.

20. The *two-wire* electronic switch of claim 19, wherein the control circuit of the power supply is configured to render the second bidirectional semiconductor switch non-conductive when the magnitude of the DC supply voltage drops to a minimum DC supply voltage threshold.

21. A two-wire electronic switch for controlling [the] power delivered from an AC power source to an electrical load, the electronic switch comprising:

a latching relay adapted to be coupled in series electrical connection between the source and the load for turning the load on and off;

a first bidirectional semiconductor switch coupled in parallel electrical connection with the relay, the first bidirectional semiconductor switch comprising a control input;

a controller configured to turn on the load by first rendering the first bidirectional semiconductor switch conductive and then rendering the relay conductive, the controller configured to turn off the load by first rendering the relay non-conductive and then rendering the first bidirectional semiconductor switch non-conductive;

an output capacitor arranged to develop a DC supply voltage for powering the controller; and

an in-line power supply coupled in series electrical connection with the relay, the first bidirectional semiconductor switch being electrically connected in parallel with the series combination of the relay and the power supply, the in-line power supply being coupled to the output capacitor for generating the DC supply voltage across the output capacitor when the relay is conductive, the power supply comprising a second bidirectional semiconductor switch electrically connected in series with the relay and in parallel with the output capacitor, the power supply being configured to render the second bidirectional semiconductor switch non-conductive to charge the output capacitor when the relay is conductive;

wherein the first bidirectional semiconductor switch is rendered conductive in response to an over-current condition in the output capacitor of the power supply, and the relay is rendered non-conductive in response to an over-temperature condition in the power supply.

22. The *two-wire* electronic switch of claim 21, wherein the in-line power supply further comprises a thermistor responsive to a temperature of the in-line power supply, and wherein the thermistor is electrically coupled to the latching relay to render the latching relay non-conductive in response to an over-temperature condition in the in-line power supply.

23. The *two-wire* electronic switch of claim 22, wherein the thermistor is coupled in series electrical connection with the output capacitor, and a voltage across the series combination of the output capacitor and the thermistor is electrically coupled to the latching relay.

24

24. The *two-wire* electronic switch of claim 21, wherein the in-line power supply further comprises a control circuit coupled to the second bidirectional semiconductor switch for rendering the second bidirectional semiconductor switch conductive and non-conductive, the control circuit responsive to a magnitude of the DC supply voltage to render the second bidirectional semiconductor switch conductive when the magnitude of the DC supply voltage reaches a first DC supply voltage threshold.

25. The *two-wire* electronic switch of claim 24, wherein the control circuit of the in-line power supply is further configured to render the second bidirectional semiconductor switch non-conductive when the magnitude of the DC supply voltage reaches a second DC supply voltage threshold.

26. The *two-wire* electronic switch of claim 21, further comprising:

a communication circuit configured to receive messages; wherein the controller is further configured to turn the electrical load on and off in response to the messages received via the communication circuit.

27. A load control device for controlling power delivered from an AC power source to an electrical load, the load control device comprising:

a controllably conductive device adapted to be coupled in electrical connection between the AC power source and the electrical load, the controllably conductive device arranged to conduct a load current through the electrical load when the controllably conductive device is conductive;

a controller configured to control the controllably conductive device to be conductive and non-conductive to conduct and not conduct, respectively, the load current through the electrical load;

a capacitor arranged to develop a DC supply voltage for powering the controller; and

a power supply coupled in electrical connection with the controllably conductive device, the power supply further coupled to the capacitor for generating the DC supply voltage across the capacitor when the controllably conductive device is conductive, the power supply configured to conduct the load current through the capacitor for at least a portion of a line cycle of the AC power source when the controllably conductive device is conductive;

wherein the controllably conductive device is rendered non-conductive in response to an over-temperature condition in the load control device.

28. The load control device of claim 22, wherein the power supply comprises a bidirectional semiconductor switch coupled in series with the controllably conductive device and in parallel with the capacitor, the power supply configured to render the bidirectional semiconductor switch non-conductive to charge the capacitor when the controllably conductive device is conductive.

29. The load control device of claim 23, wherein the power supply further comprises a thermistor responsive to a temperature of the power supply, and wherein the thermistor is electrically coupled to the controllably conductive device to render the controllably conductive device non-conductive in response to an over-temperature condition in the power supply.

30. The load control device of claim 24, wherein the thermistor is coupled in series electrical connection with the capacitor, and a voltage across the series combination of the capacitor and the thermistor is electrically coupled to the controllably conductive device.

25

31. The load control device of claim 28, wherein the power supply further comprises a control circuit coupled to the bidirectional semiconductor switch for rendering the bidirectional semiconductor switch conductive and non-conductive, the control circuit responsive to a magnitude of the DC supply voltage to render the bidirectional semiconductor switch conductive when the magnitude of the DC supply voltage reaches a first DC supply voltage threshold.

32. The load control device of claim 31, wherein the control circuit of the power supply is further configured to render the bidirectional semiconductor switch non-conductive when the magnitude of the DC supply voltage reaches a second DC supply voltage threshold.

33. The load control device of claim 27, further comprising:

a communication circuit configured to receive messages; wherein the controller is further configured to turn the electrical load on and off in response to the messages received via the communication circuit.

34. The load control device of claim 27, further comprising:

a bidirectional semiconductor switch coupled in parallel with a series combination of the controllably conduc-

26

tive device and the power supply, the controller further configured to turn on the electrical load by first rendering the bidirectional semiconductor switch conductive and then rendering the controllably conductive device conductive, the controller further configured to turn off the electrical load by first rendering the controllably conductive device non-conductive and then rendering the bidirectional semiconductor switch non-conductive.

35. The load control device of claim 34, wherein the bidirectional semiconductor switch is rendered conductive in response to an over-current condition.

36. The load control device of claim 34, wherein the bidirectional semiconductor switch comprises a first bidirectional semiconductor switch; and

wherein the power supply comprises a second bidirectional semiconductor switch coupled in series with the controllably conductive device and in parallel with the capacitor, the power supply configured to render the second bidirectional semiconductor switch non-conductive to charge the capacitor when the controllably conductive device is conductive.

* * * * *