

US00RE49521E

(19) **United States**  
(12) **Reissued Patent**  
**Daniels et al.**

(10) **Patent Number: US RE49,521 E**  
(45) **Date of Reissued Patent: May 9, 2023**

(54) **HEAT EXCHANGER**  
(71) Applicant: **Aerco International, Inc.**, Blauvelt, NY (US)  
(72) Inventors: **Mark Daniels**, Valley Cottage, NY (US); **Robert J. Battles**, Pompton Lakes, NJ (US)  
(73) Assignee: **Aerco International, Inc.**, Blauvelt, NY (US)  
(21) Appl. No.: **29/794,156**  
(22) Filed: **Jun. 10, 2021**

5,881,681 A \* 3/1999 Stuart ..... F23D 14/60  
122/18.31  
7,046,922 B1 \* 5/2006 Sturm ..... F24H 9/2028  
392/482  
D804,623 S \* 12/2017 Yamaguchi ..... D23/318  
2005/0161086 A1 \* 7/2005 Kubik ..... F24D 17/00  
137/334  
2012/0279929 A1 \* 11/2012 Daniels ..... F24D 17/0031  
122/13.01  
2014/0209281 A1 \* 7/2014 Kamps ..... F24V 40/00  
165/104.14  
2017/0172831 A1 \* 6/2017 Sang ..... E03D 9/08

\* cited by examiner

*Primary Examiner* — Philip S Hyder  
(74) *Attorney, Agent, or Firm* — Harris Beach PLLC

**Related U.S. Patent Documents**

Reissue of:  
(64) Patent No.: **Des. 904,590**  
Issued: **Dec. 8, 2020**  
Appl. No.: **29/722,369**  
Filed: **Jan. 29, 2020**  
(51) **LOC (14) Cl.** ..... **23-03**  
(52) **U.S. Cl.**  
USPC ..... **D23/323**  
(58) **Field of Classification Search**  
USPC ..... D23/317, 318, 319, 320, 323, 329, 330,  
D23/335, 342  
CPC ..... F24H 9/06; F24H 9/2035; F24H 1/125;  
F24H 1/145; F24H 1/186; F24H 9/124;  
F24H 9/2078; F24H 9/2007; F24H 1/08;  
F24H 1/10; F24H 1/12; F24H 1/18; F24H  
1/22; F24H 1/50; F24H 1/182  
See application file for complete search history.

(57) **CLAIM**

The ornamental design for a heat exchanger, as shown and described.

**DESCRIPTION**

FIG. 1 is an isometric view of the heat exchanger of our invention;  
FIG. 2 is a front view of the invention;  
FIG. 3 is a right side view the invention;  
FIG. 4 is a left side view of the invention;  
FIG. 5 is a rear view of the invention; and,  
FIG. 6 is a top view of the invention.  
In the drawings, the broken lines depict environmental subject matter only and form no part of the claimed design.

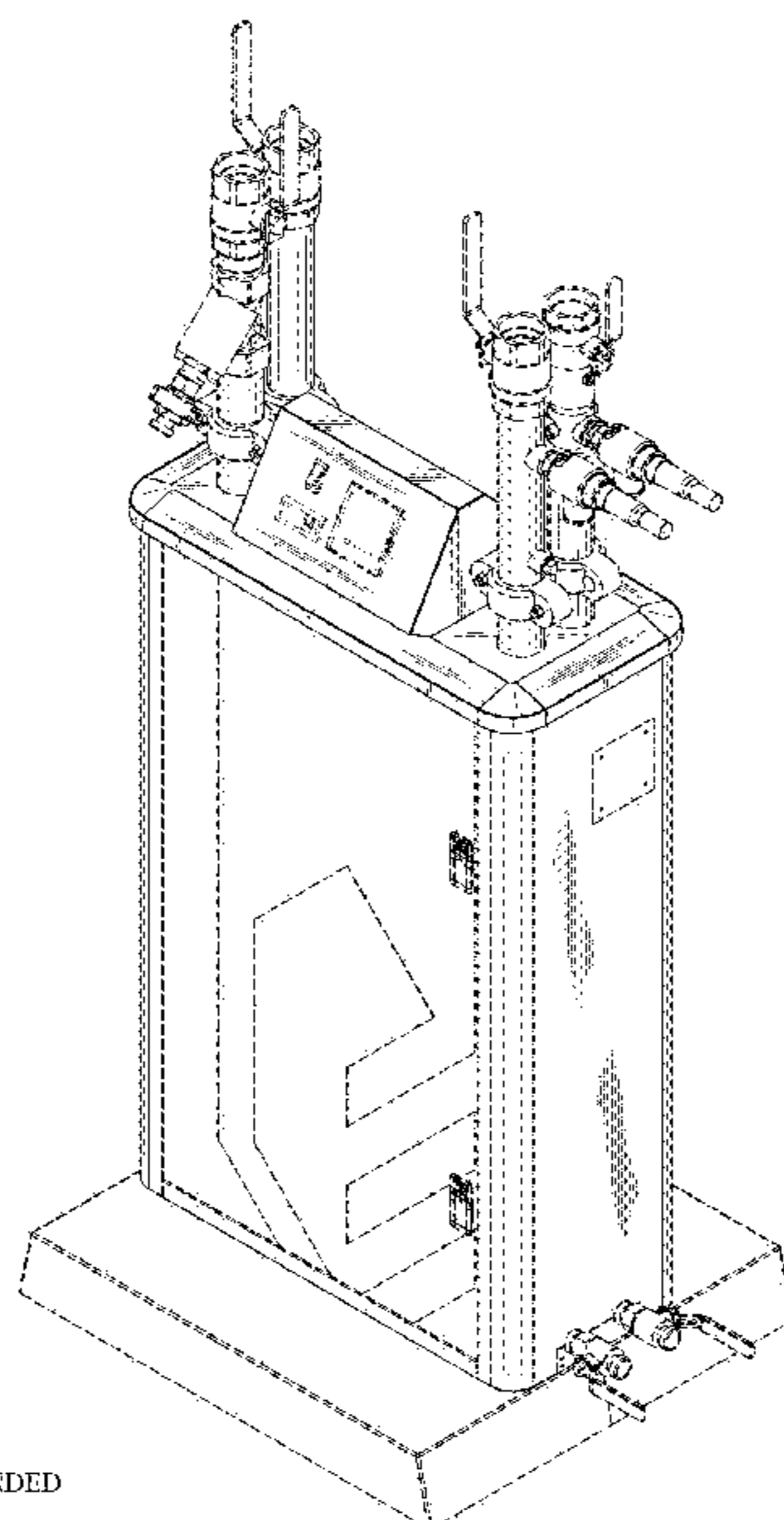
(56) **References Cited**

**U.S. PATENT DOCUMENTS**

D342,125 S \* 12/1993 Miller ..... D23/314  
D386,561 S \* 11/1997 Campbell ..... D23/330

**1 Claim, 6 Drawing Sheets**

**Matter enclosed in heavy brackets [ ] appears in the original patent but forms no part of this reissue; matter printed in italics indicates the additions made by reissue.**



AMENDED

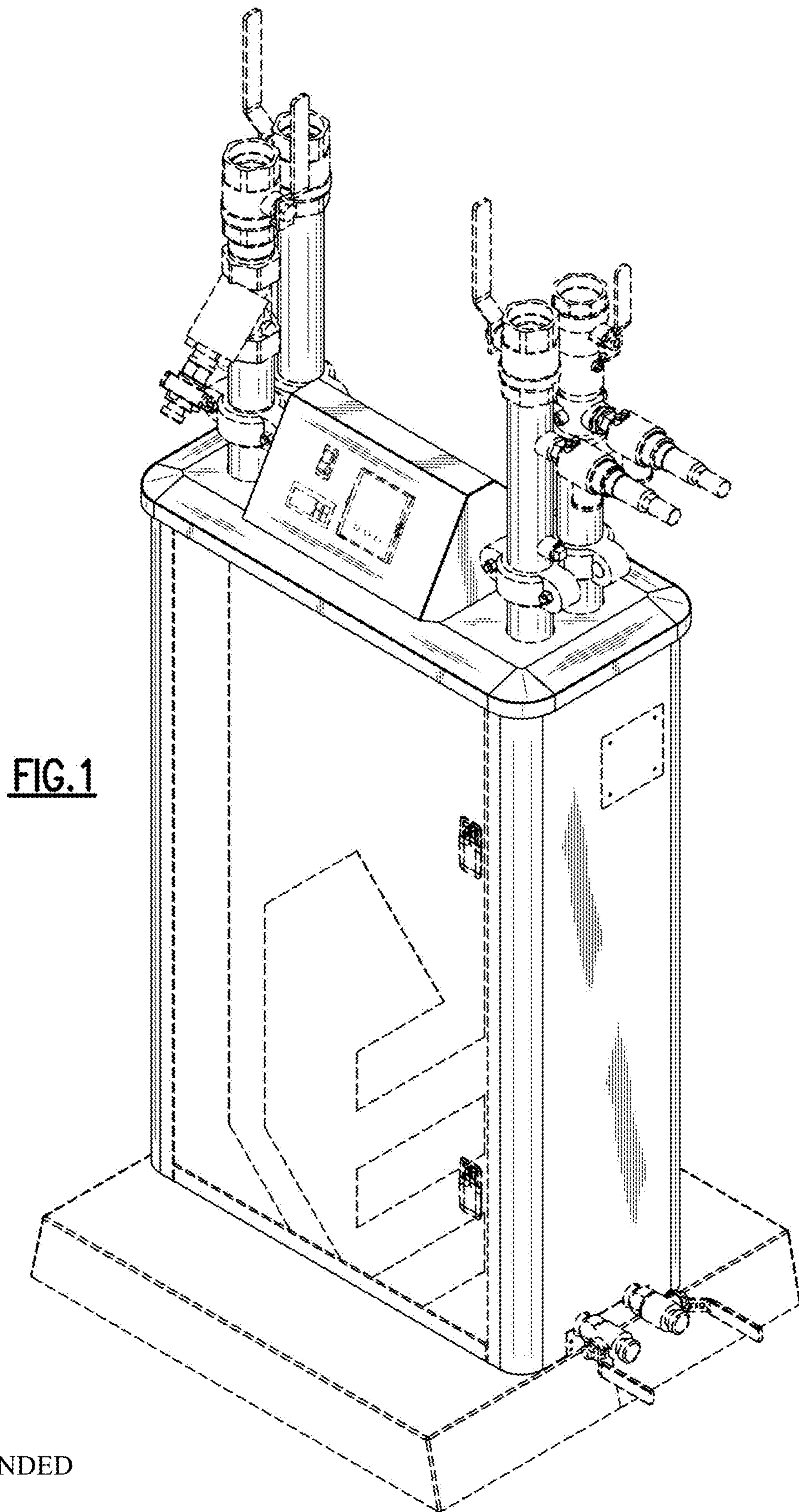


FIG. 1

AMENDED

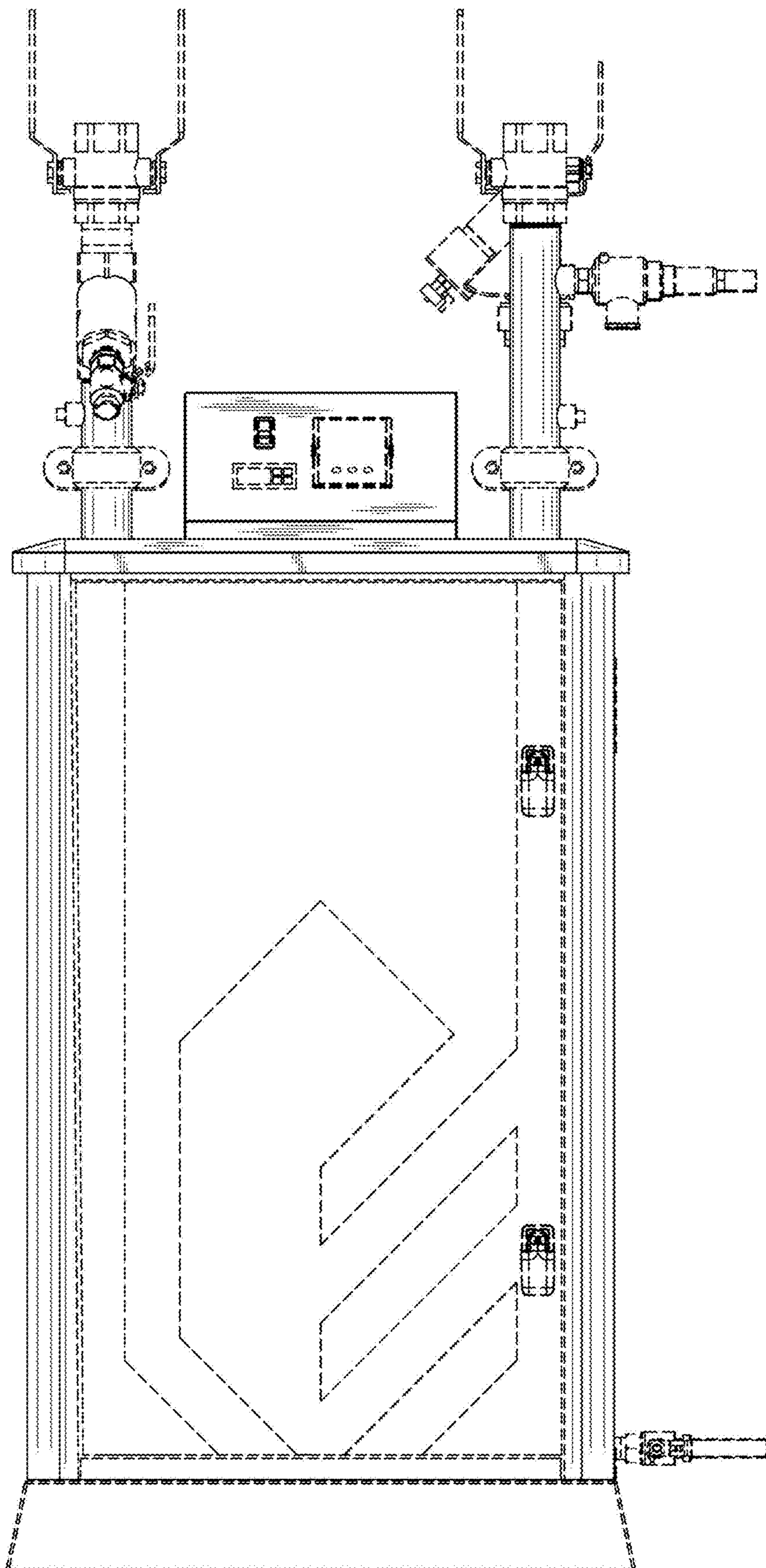


FIG.2

AMENDED

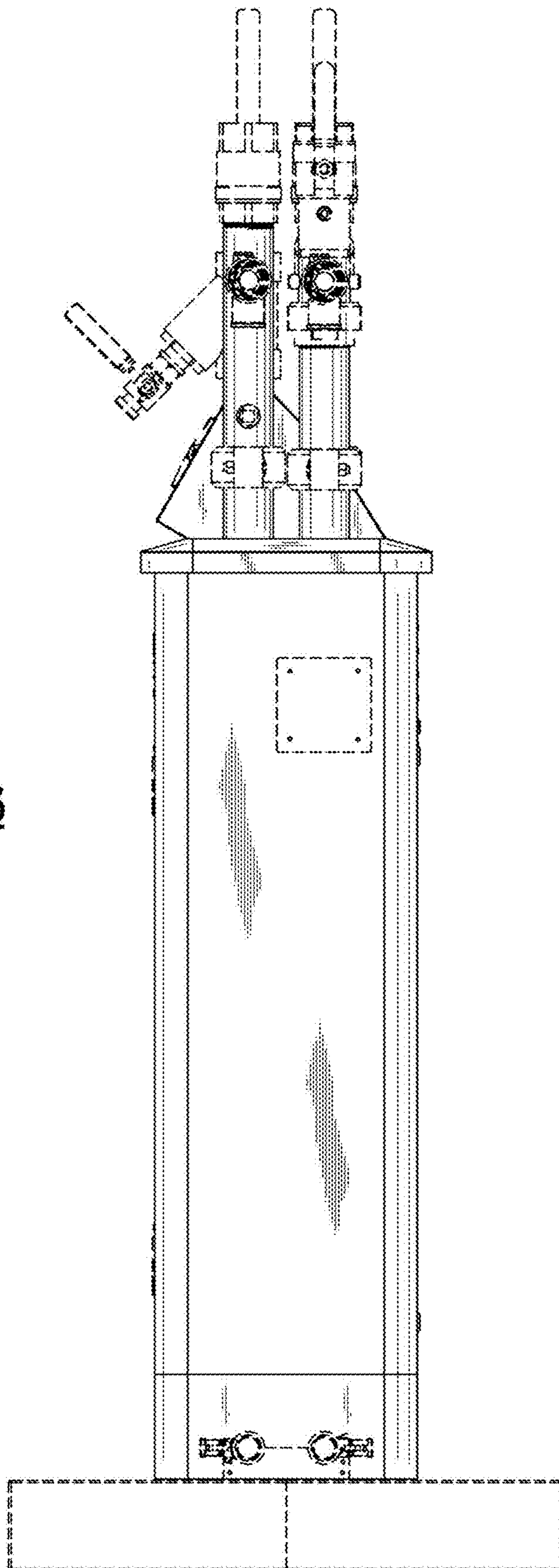


FIG. 3

AMENDED

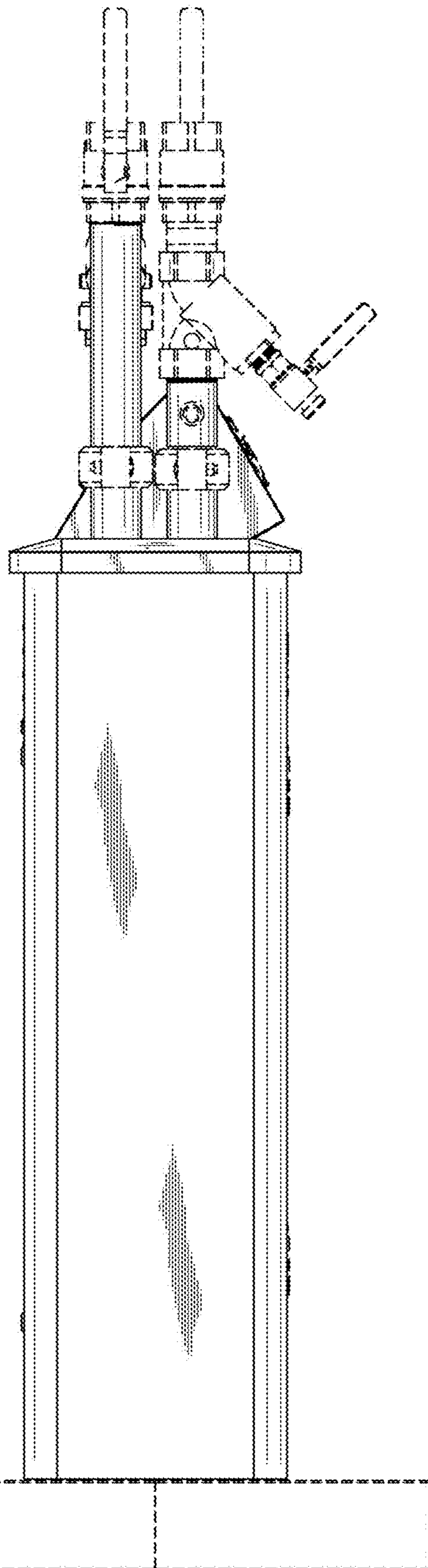


FIG.4

AMENDED

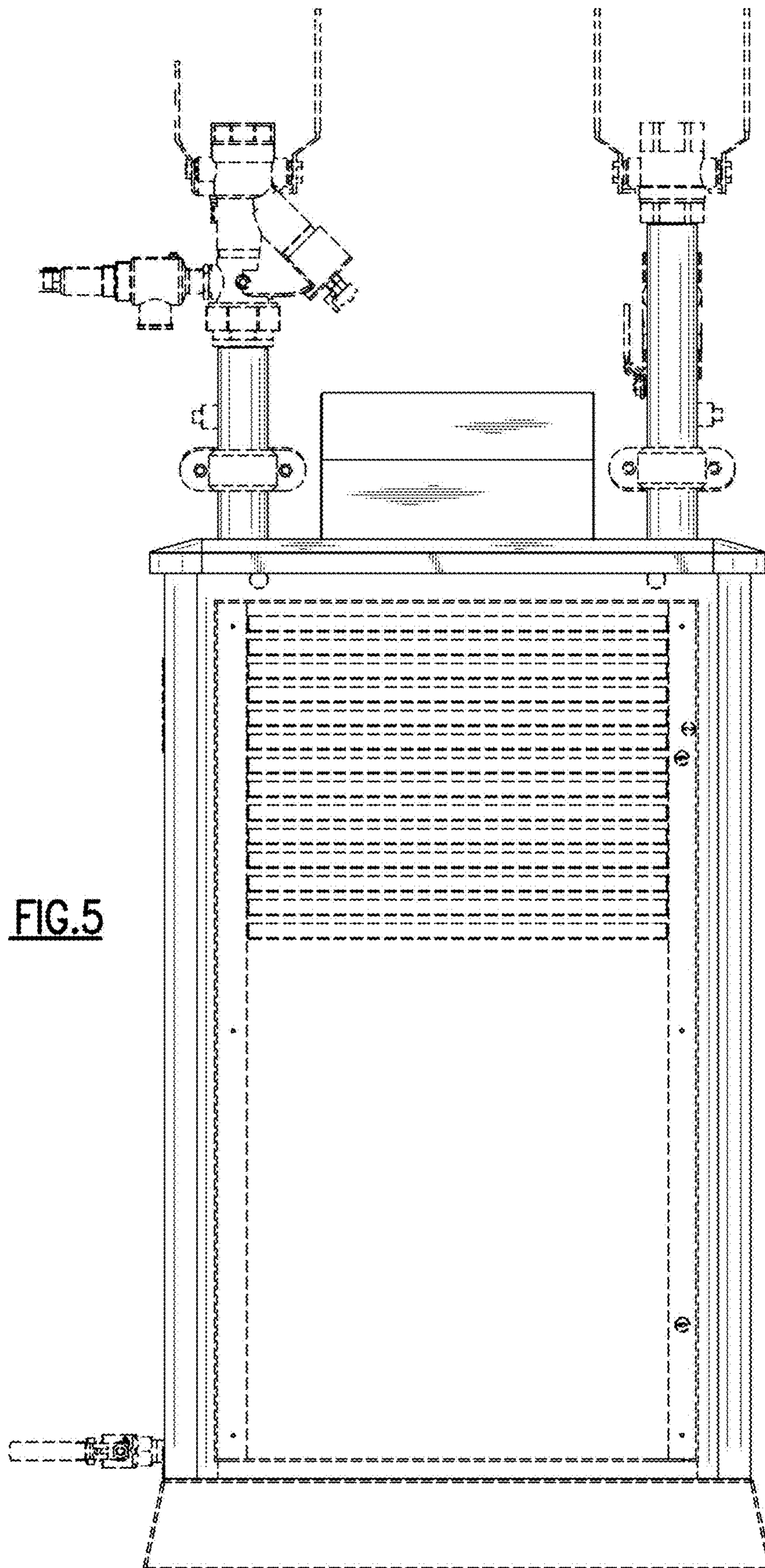


FIG.5

AMENDED

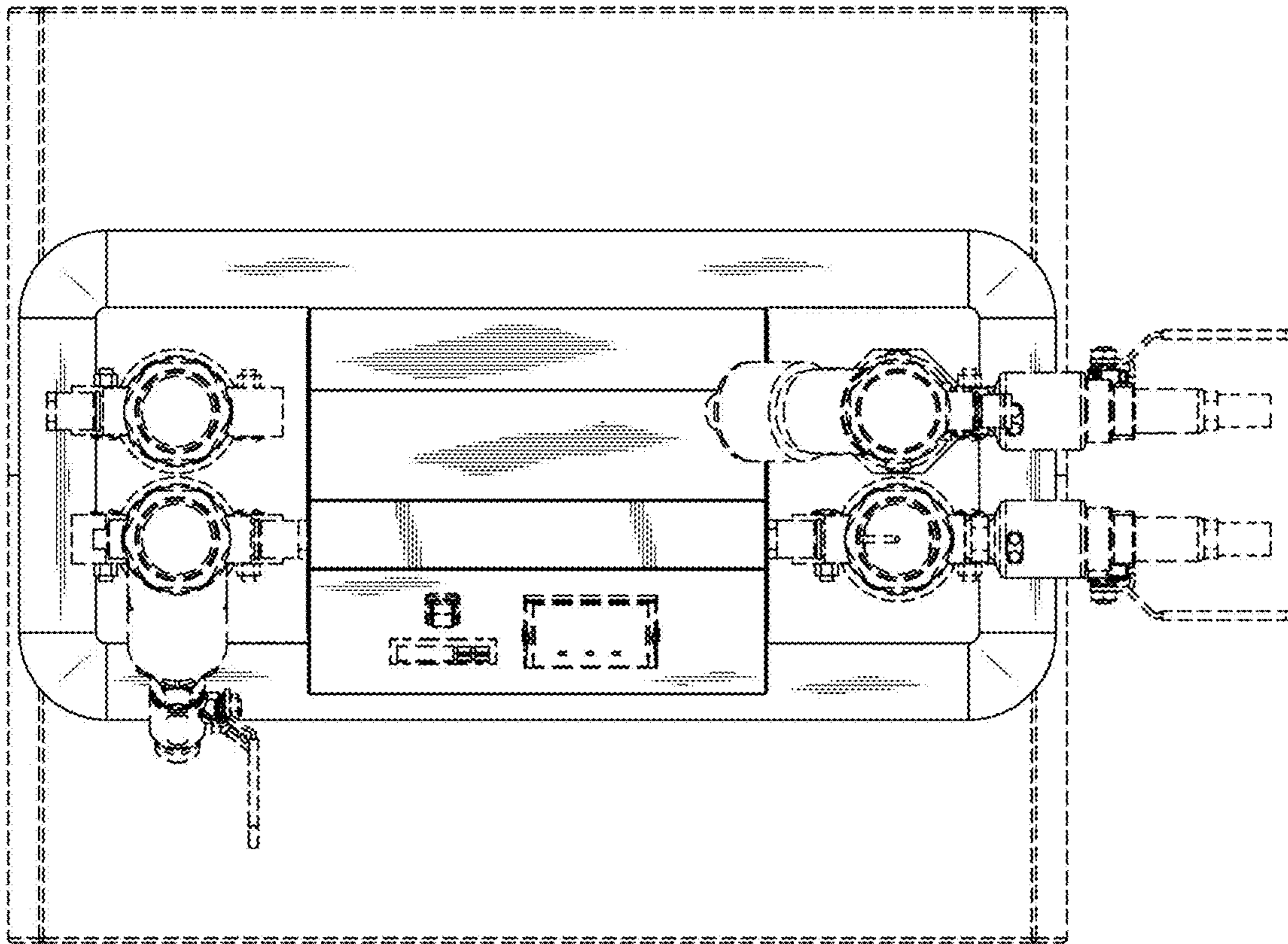


FIG.6

AMENDED