

US00RE49513E

(19) **United States**
(12) **Reissued Patent**
Henniger

(10) **Patent Number:** **US RE49,513 E**
(45) **Date of Reissued Patent:** **May 2, 2023**

- (54) **BARBELL**
- (71) Applicant: **Coulter Ventures, LLC.**, Columbus, OH (US)
- (72) Inventor: **William Henniger**, Columbus, OH (US)
- (73) Assignee: **Coulter Ventures, LLC.**, Columbus, OH (US)

Primary Examiner — Philip S Hyder
(74) *Attorney, Agent, or Firm* — Banner & Witcoff, Ltd.

(57) **CLAIM**

The ornamental design for a barbell, as shown and described.

- (21) Appl. No.: **29/817,674**
- (22) Filed: **Dec. 2, 2021**

DESCRIPTION

This application is an application for reissue of U.S. Pat. No. D843,524, issued Mar. 19, 2019, which corresponds to U.S. patent application Ser. No. 29/605,895, the entire contents of which are incorporated herein by reference. Application '895 is a continuation of U.S. pat. app. Ser. No. 29/504,413, filed Oct. 6, 2014, entitled Barbell, the entire contents of which is hereby incorporated by reference.

Related U.S. Patent Documents

Reissue of:

- (64) Patent No.: **Des. 843,524**
Issued: **Mar. 19, 2019**
Appl. No.: **29/605,895**
Filed: **May 31, 2017**

U.S. Applications:

- (63) Continuation of application No. 29/504,413, filed on Oct. 6, 2014, now abandoned.
- (51) **LOC (14) Cl.** **21-02**
- (52) **U.S. Cl.**
USPC **D21/694; D21/681**
- (58) **Field of Classification Search**
USPC **D21/662, 679, 680, 681, 682, 684, 694; D8/14, 107**

(Continued)

(56) **References Cited**

U.S. PATENT DOCUMENTS

- 3,062,369 A * 11/1962 Guy B65D 83/00
206/525
- 3,477,285 A * 11/1969 Bird G01B 7/18
174/135

(Continued)

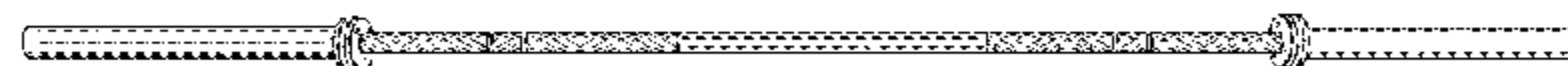
OTHER PUBLICATIONS

The Rogue Bar 2.0 by Rogue dated Aug. 14, 2014. <https://www.roguefitness.com/the-rogue-bar-2-0>.

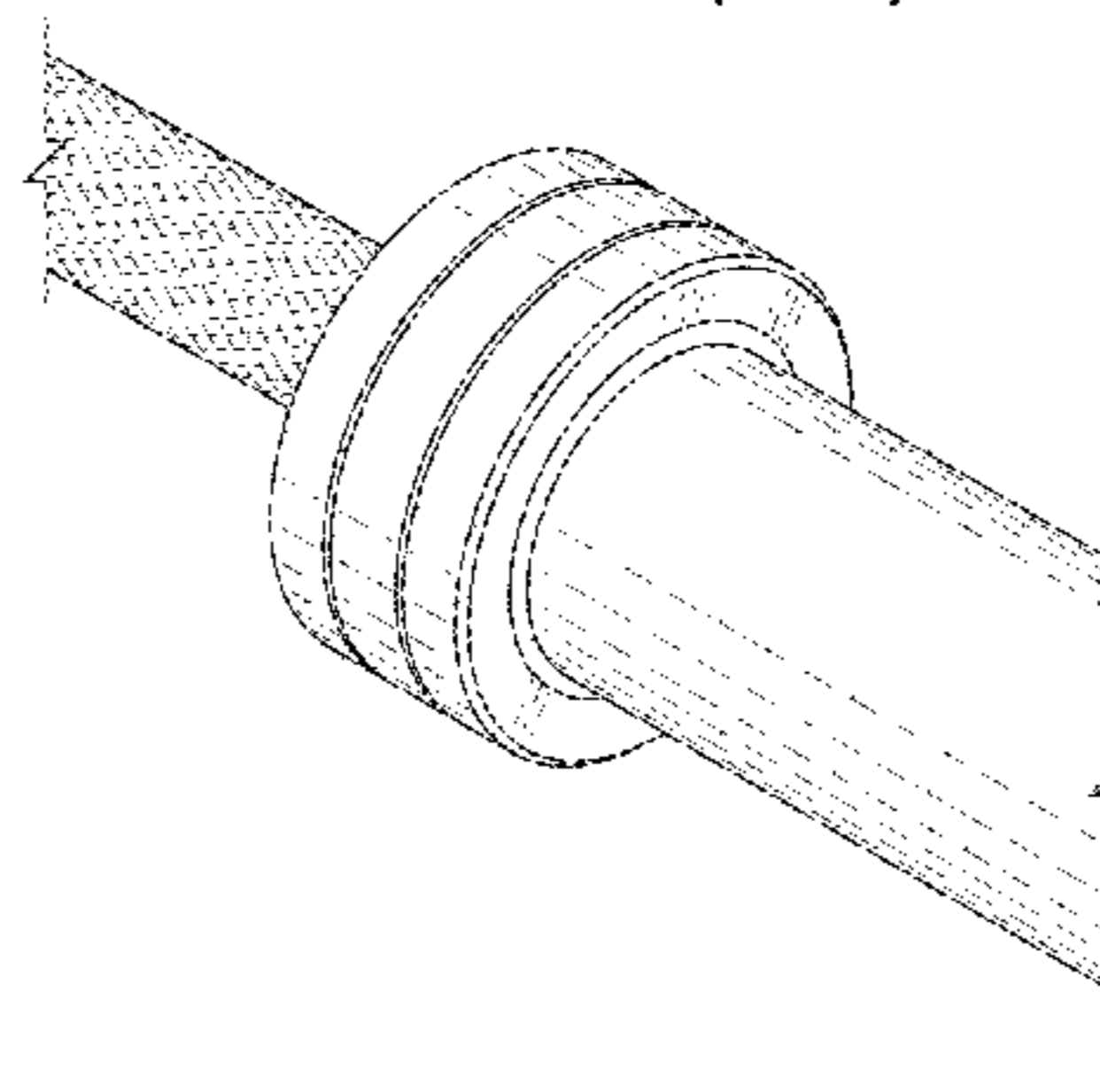
(Continued)

[FIG. 1 of the drawings is a front perspective view of the barbell with an elastic band positioned in the channel showing, in particular, the ornamental design thereof;]
 [FIG. 2 of the drawings is a back perspective view thereof;]
 [FIG. 3 of the drawings is a front elevational view thereof;]
 [FIG. 4 of the drawings is a back elevational view thereof;]
 [FIG. 5 of the drawings is a top plan view thereof;]
 [FIG. 6 of the drawings is a bottom plan view thereof;]
 [FIG. 7 of the drawings is a cross-sectional view taken generally about lines 7-7 of FIG. 3;]
 [FIG. 8 of the drawings is a front perspective view of the barbell with the elastic band removed from the channel;]
 [FIG. 9 of the drawings is a back perspective view thereof with the elastic band removed from the channel;]
 [FIG. 10 of the drawings is a front elevational view thereof with the elastic band removed from the channel;]
 [FIG. 11 of the drawings is a back elevational view thereof with the elastic band removed from the channel; and]
 [FIG. 12 of the drawings is a perspective view of the barbell having the elastic band positioned in the channel.]
FIG. 13 is a front perspective view of a barbell showing my new design with the barbell depicted in a first state showing removable elastic bands located in channels;
FIG. 14 is an enlarged right side perspective detailed view thereof;
FIG. 15 is an enlarged left side perspective detailed view thereof;

(Continued)



(NEW)



(NEW)

FIG. 16 is an enlarged front detailed view thereof;
 FIG. 17 is another enlarged front detailed view thereof;
 FIG. 18 is a left side elevational view thereof;
 FIG. 19 is a right side elevational view thereof;
 FIG. 20 is a cross-sectional view taken about line 20-20 of FIG. 16;
 FIG. 21 is a front perspective view of the barbell of FIGS. 13-20 shown with the elastic bands removed from the channels;
 FIG. 22 is an enlarged right-side perspective detailed view corresponding to FIG. 14 showing the elastic band removed from the channel;
 FIG. 23 an enlarged left-side perspective detailed view corresponding to FIG. 15 showing the elastic band removed from the channel;
 FIG. 24 is an enlarged front detailed view corresponding to FIG. 16 with the elastic band removed from the channel;
 FIG. 25 is an enlarged front detailed view corresponding to FIG. 17 with the elastic band removed from the channel; and
 FIG. 26 is a left side perspective detailed view thereof.

1 Claim, 24 Drawing Sheets

Matter enclosed in heavy brackets [] appears in the original patent but forms no part of this reissue; matter printed in italics indicates the additions made by reissue.

(58) Field of Classification Search

CPC A63B 21/0724; A63B 21/0726; A63B 21/0728; A63B 21/075
 See application file for complete search history.

(56) References Cited

U.S. PATENT DOCUMENTS

3,895,466 A * 7/1975 Melton F16L 55/11
 137/800
 4,274,323 A 6/1981 Resnicow
 D264,680 S 6/1982 Widen
 D303,494 S 9/1989 Lange
 D303,742 S 10/1989 Reid
 4,893,810 A 1/1990 Lee
 D317,241 S 6/1991 Lent
 D332,030 S * 12/1992 Kauffman et al. D7/624.1
 D332,385 S 1/1993 Adams
 5,281,878 A * 1/1994 Schaeffer H02K 7/14
 310/87
 D346,821 S * 5/1994 Smith 347/88
 5,346,449 A 9/1994 Schlagel
 D400,406 S * 11/1998 House D7/624.1
 5,915,580 A * 6/1999 Melk B65D 23/08
 215/386
 D427,258 S * 6/2000 Sandoval D21/681
 D428,084 S * 7/2000 Sandoval D21/679
 D428,455 S * 7/2000 Sandoval D21/679
 D429,221 S * 8/2000 Picozza D13/168
 D433,468 S * 11/2000 Rojas D21/680
 D434,655 S * 12/2000 Haugh D9/434
 D437,015 S * 1/2001 Rojas D21/679
 6,386,992 B1 * 5/2002 Harris A63B 37/0003
 473/356
 D469,135 S * 1/2003 Bell D21/662

D480,969 S * 10/2003 Owens 220/4.27
 D533,479 S 12/2006 Dubnicka
 D554,237 S * 10/2007 Lewis D23/259
 D574,117 S * 7/2008 Gregory D11/146
 D583,883 S * 12/2008 Thomas D21/679
 7,485,077 B2 2/2009 Chen
 D596,452 S * 7/2009 Komorski D7/387
 D611,524 S * 3/2010 Lawrence, III D17/22
 D613,600 S * 4/2010 David D9/456
 D628,056 S 11/2010 Busch
 D630,937 S 1/2011 Busch
 D644,073 S * 8/2011 Nottke D7/697
 D663,196 S 7/2012 Bohnet et al.
 D685,865 S * 7/2013 Kuhn D21/679
 8,500,609 B1 * 8/2013 Williams A63C 11/228
 135/65
 D689,701 S * 9/2013 Mischel, Jr. D6/309
 D725,722 S * 3/2015 Conaway D21/679
 9,114,279 B2 8/2015 Murray et al.
 D746,168 S 12/2015 Vaughan et al.
 D749,889 S * 2/2016 Magistro D7/354
 9,375,601 B2 6/2016 Miller et al.
 D763,658 S * 8/2016 Grasselli D8/321
 D770,579 S 11/2016 Chang et al.
 D787,976 S * 5/2017 Jimenez D11/81
 D795,971 S 8/2017 Patti
 D797,532 S 9/2017 Durand et al.
 D801,496 S * 10/2017 Letham D23/336
 10,004,972 B2 6/2018 Young
 10,195,476 B2 2/2019 Jennings et al.
 D843,524 S 3/2019 Henniger
 D847,276 S 4/2019 Summers
 D862,617 S 10/2019 Henniger et al.
 D884,097 S 5/2020 Ameri et al.
 D887,246 S 6/2020 Chang
 D891,545 S 7/2020 Jones et al.
 D892,238 S 8/2020 Dunahay
 D892,240 S 8/2020 Sergakis
 2008/0220952 A1 9/2008 Yang
 2012/0094810 A1 * 4/2012 Anderson A63B 21/0724
 482/107
 2014/0045660 A1 * 2/2014 Murray A63B 21/0724
 482/106
 2015/0038302 A1 2/2015 O'Brien
 2015/0343255 A1 * 12/2015 Miller A63B 21/072
 482/104
 2017/0157489 A1 * 6/2017 Young A63B 21/4035
 2017/0216650 A1 * 8/2017 Simmons A63B 21/055
 482/107
 2017/0216654 A1 * 8/2017 Parker A63B 21/0722
 482/107

OTHER PUBLICATIONS

Yaheetech, [online], [site visited Aug. 29, 2022]. Available on internet, URL:https://www.amazon.com/ <http://www.amazon.com/> Yaheetech-Olympic-Collars-Workout-Exercises/dp/B0172TDYK4/ref—Date of first sale represented as Oct. 24, 2015.
 Sunny, [online], [site visited Aug. 29, 2022]. Available on internet, URL:https://www.amazon.com/ <http://www.amazon.com/> Sunny-Threaded-Chrome-Barbell-60-Inch/dp/B004EFYPBC/ref—Date of first sale represented as Nov. 25, 2010.
 Rage fitness store, [online], [site visited Aug. 29, 2022]. Available on internet, URL:https://www.amazon.com/ <http://www.amazon.com/> Fitness-Olympic-Training-Barbell-Weightlifting/dp/B00R93GJ74/ref—Date of first sale represented as Dec. 19, 2014.
 The Rogue Bar 2.0 by Rogue dated Aug. 4, 2014. Found online [Aug. 4, 2017] https://www.roguefitness.com/the-rogue-bar-2-0.*

* cited by examiner

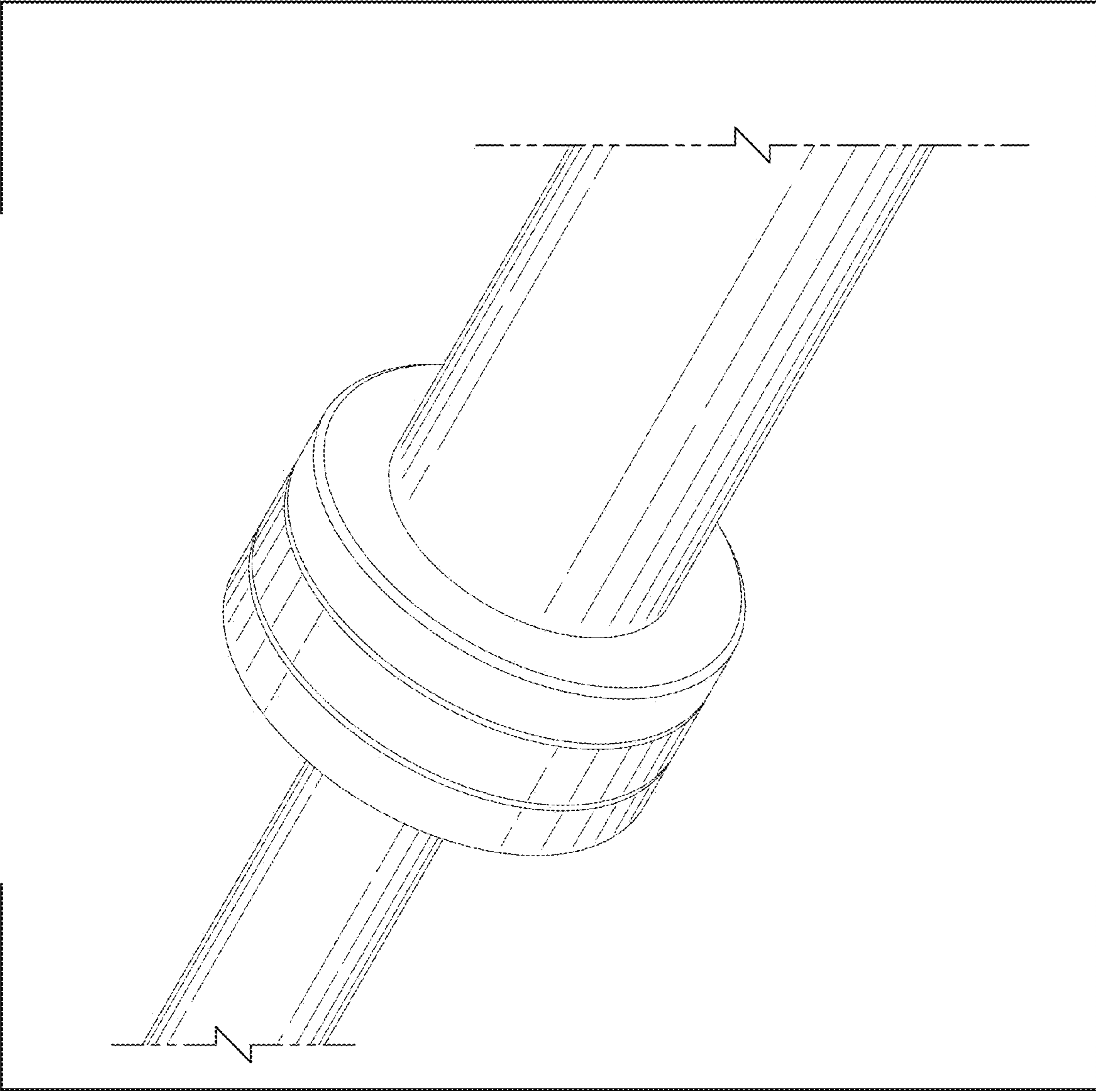


FIG. 1 (CANCELED)

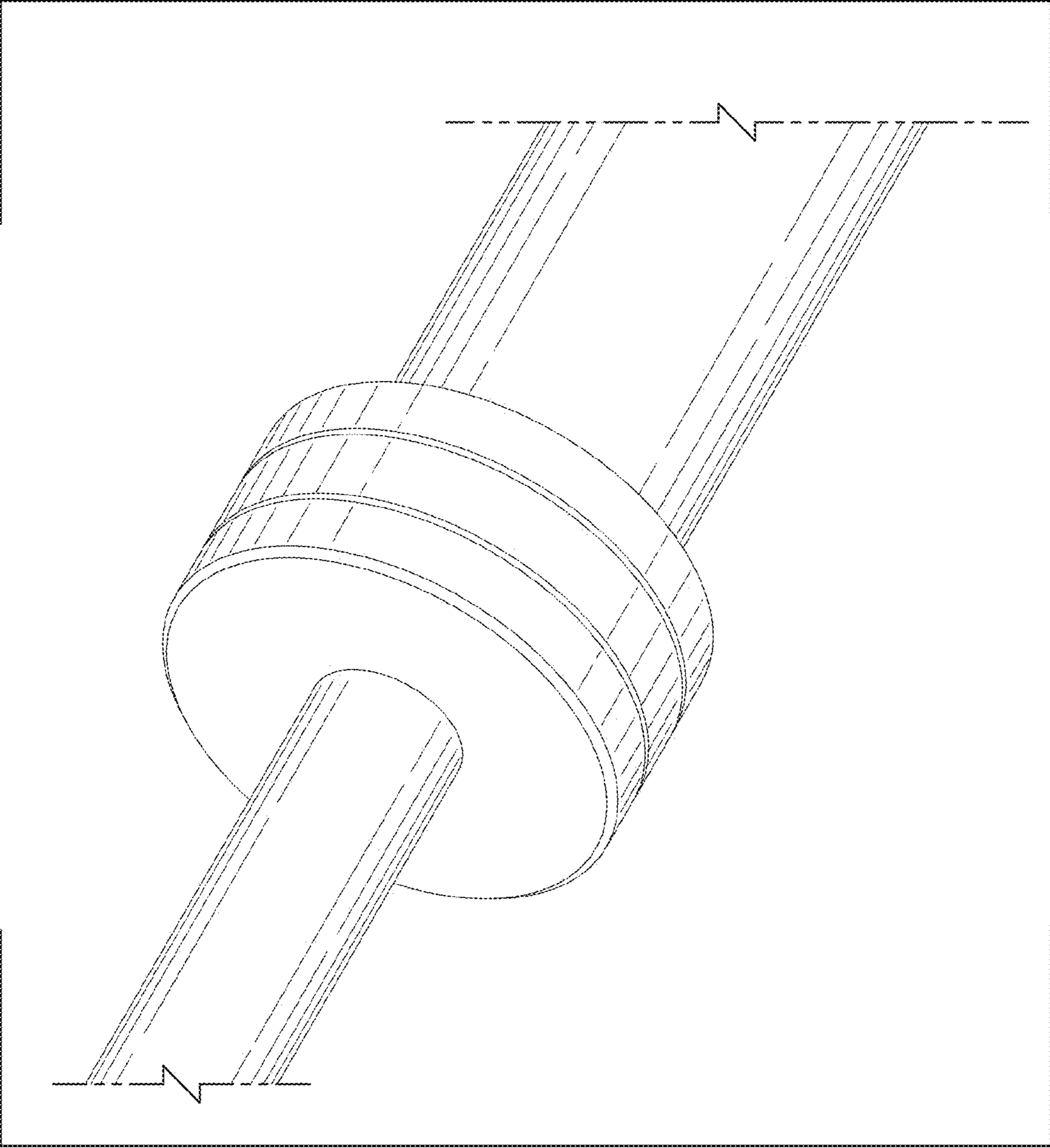


FIG. 2 (CANCELED)

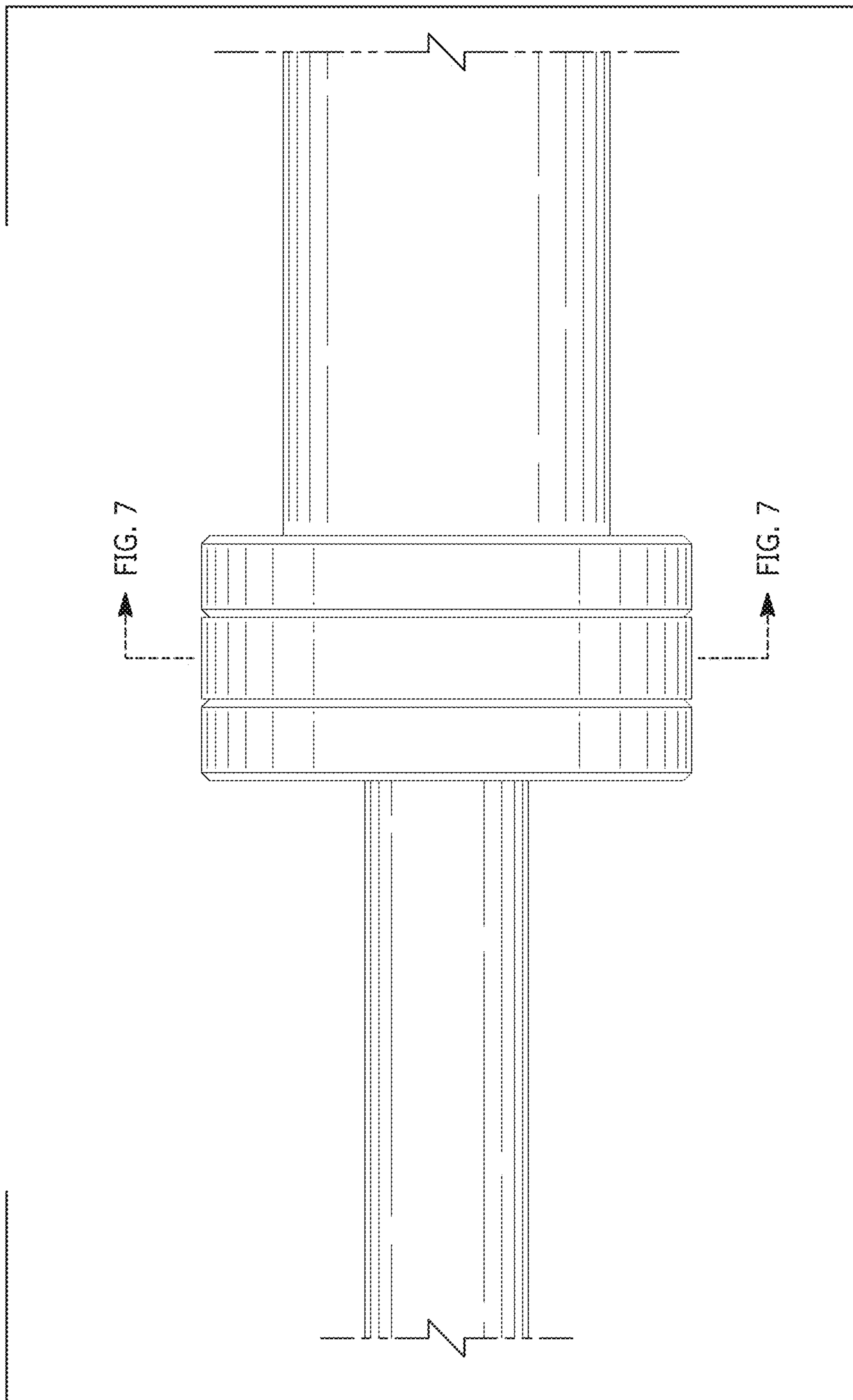


FIG. 3 (CANCELED)

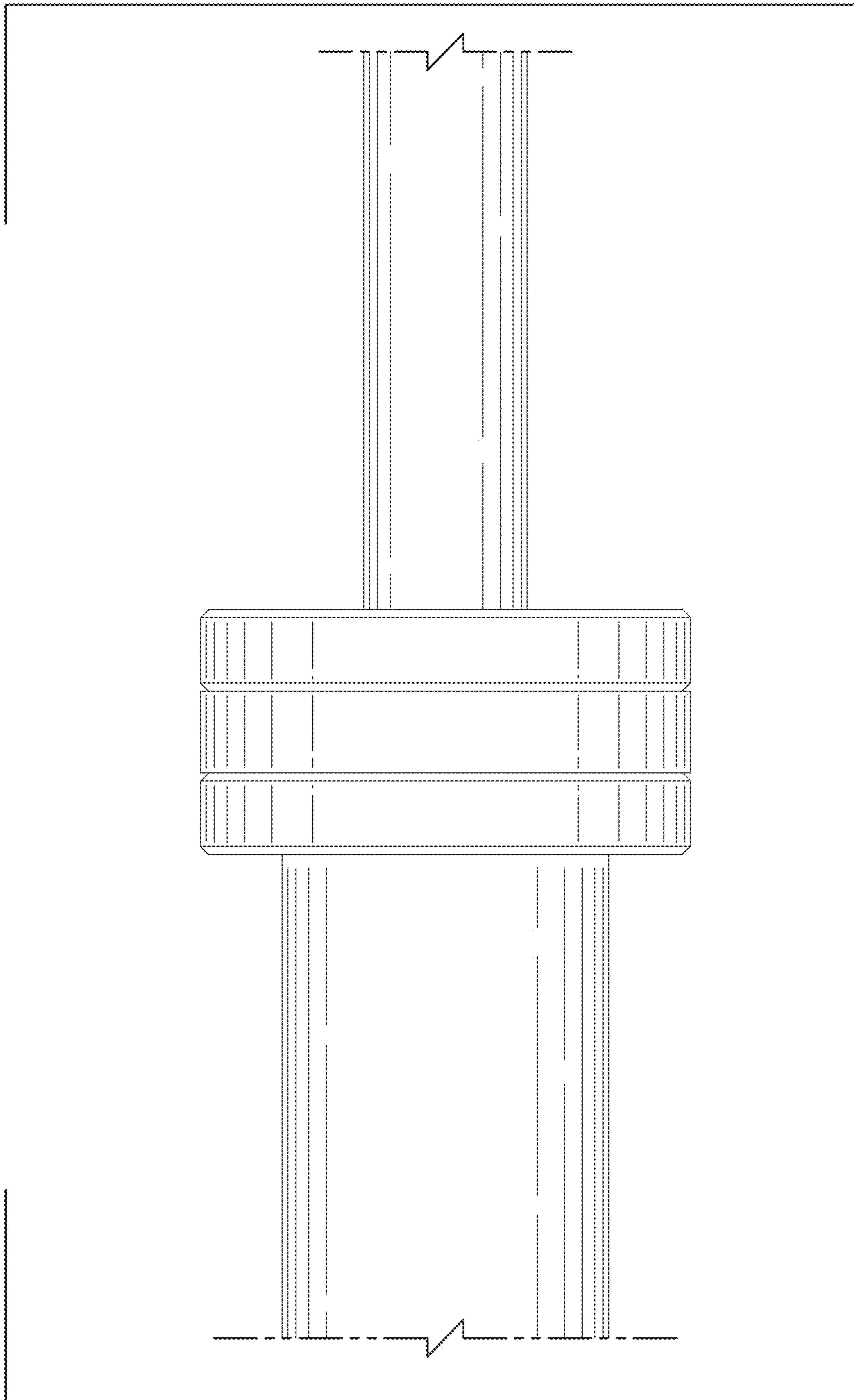


FIG. 4 (CANCELED)

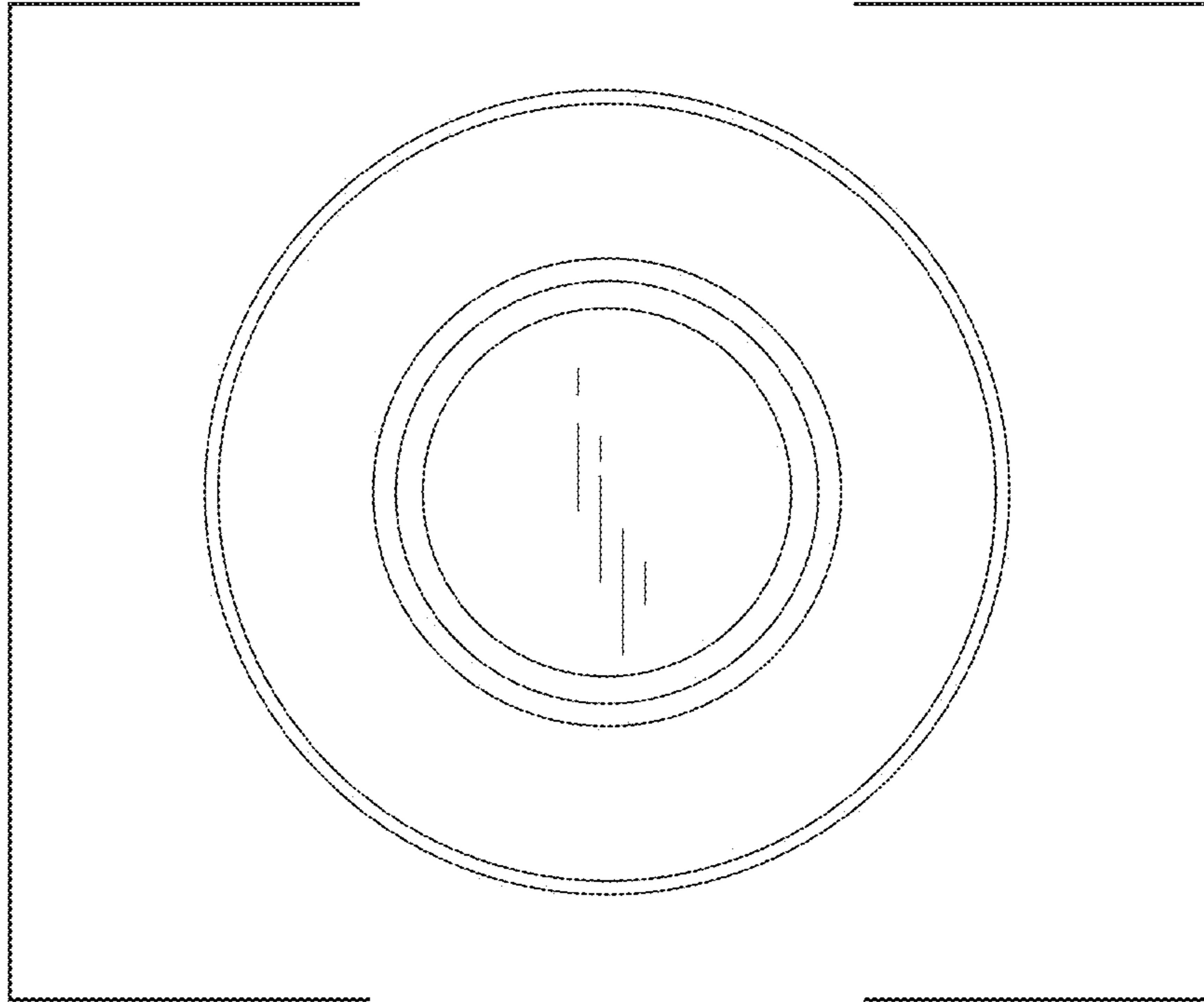


FIG. 5 (CANCELED)

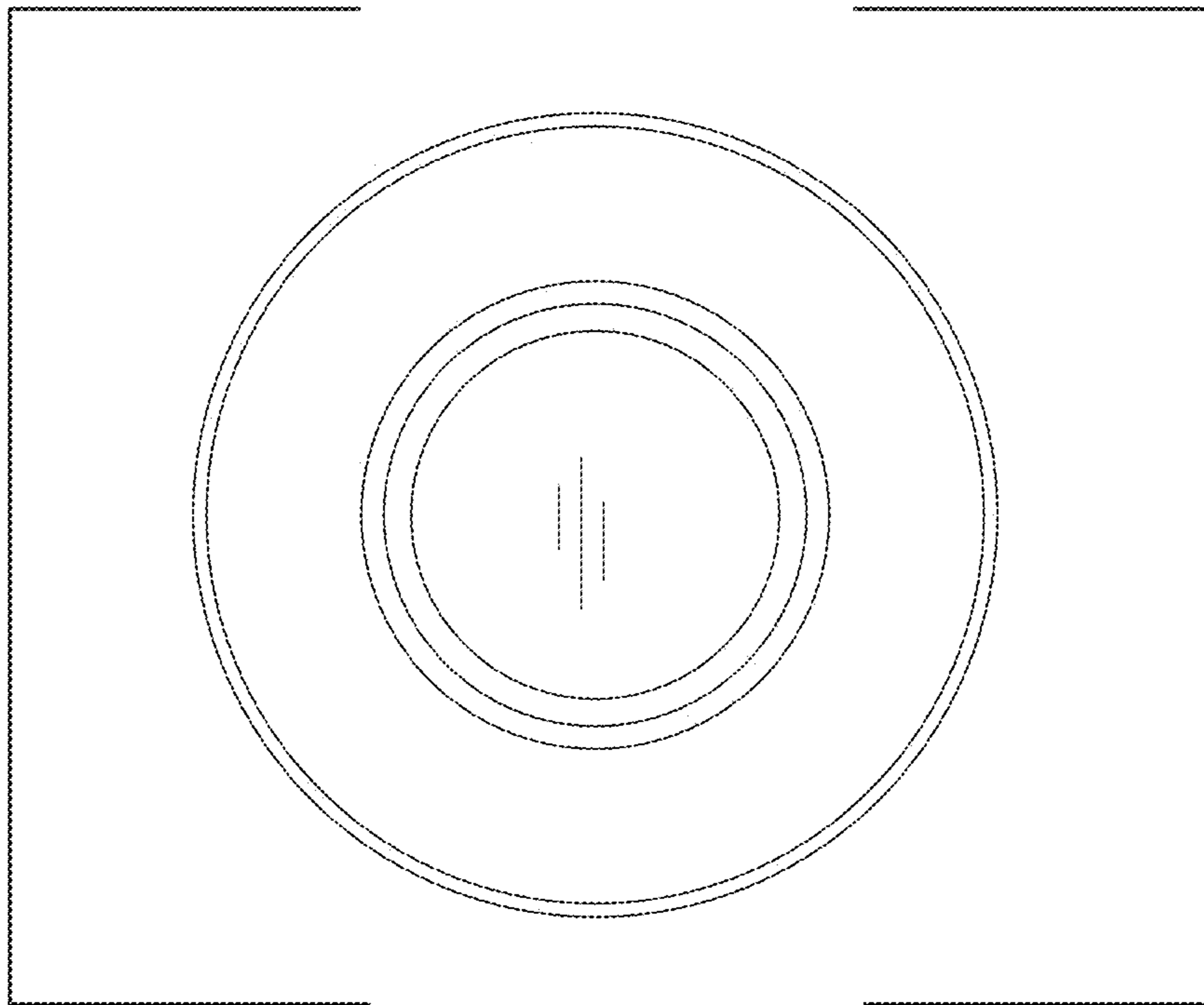


FIG. 6 (CANCELED)

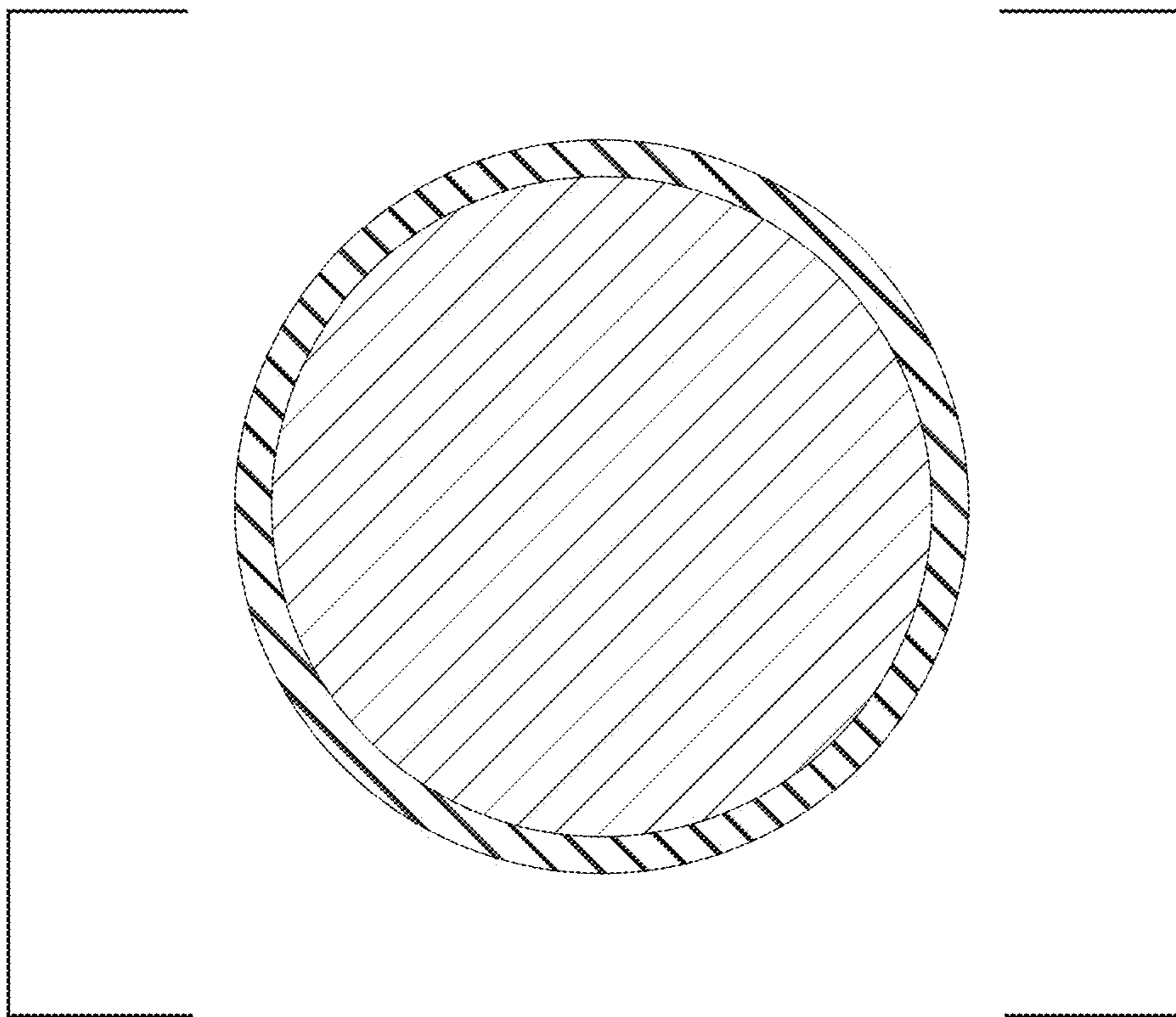


FIG. 7 (CANCELED)

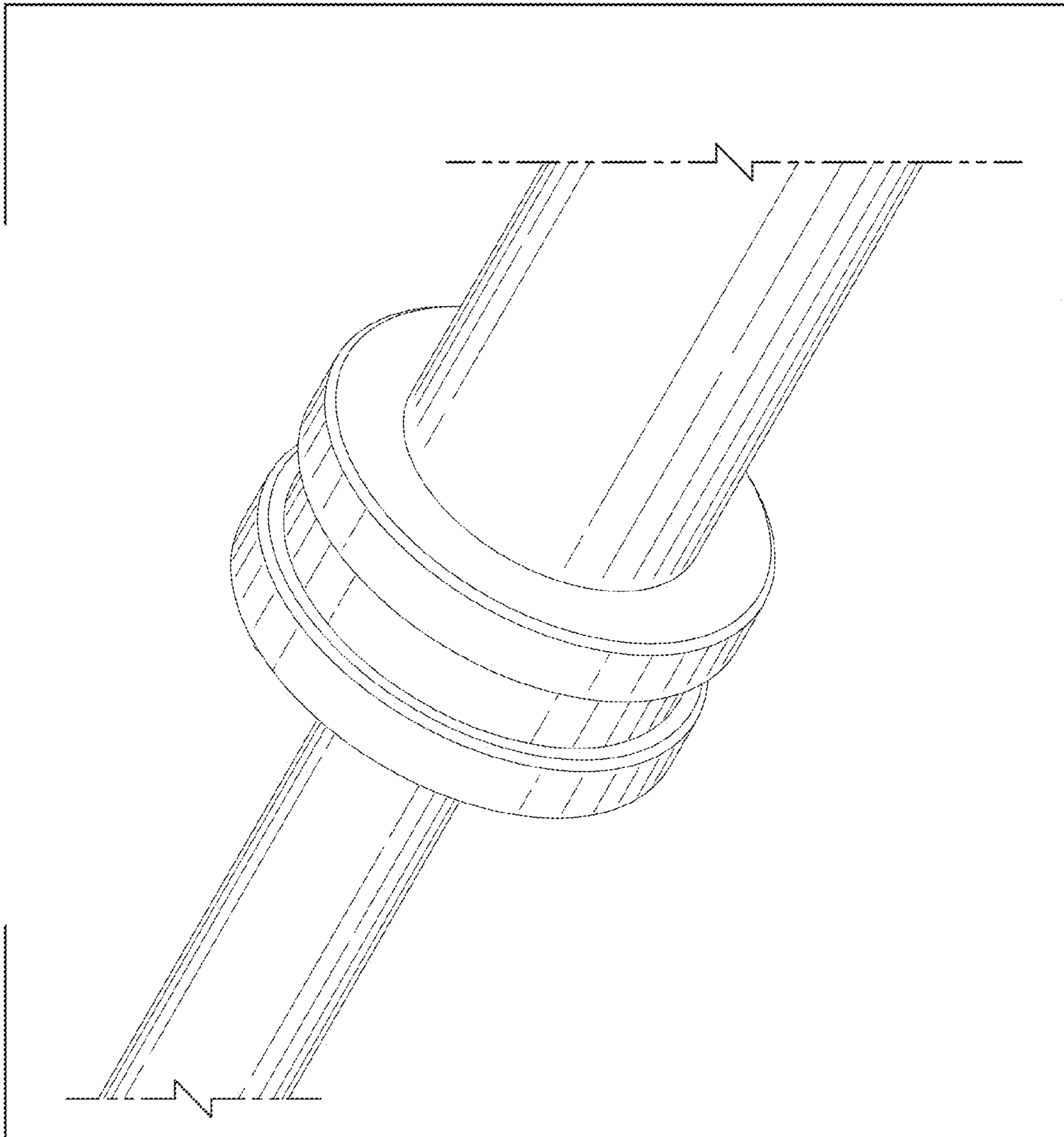


FIG. 8 (CANCELED)

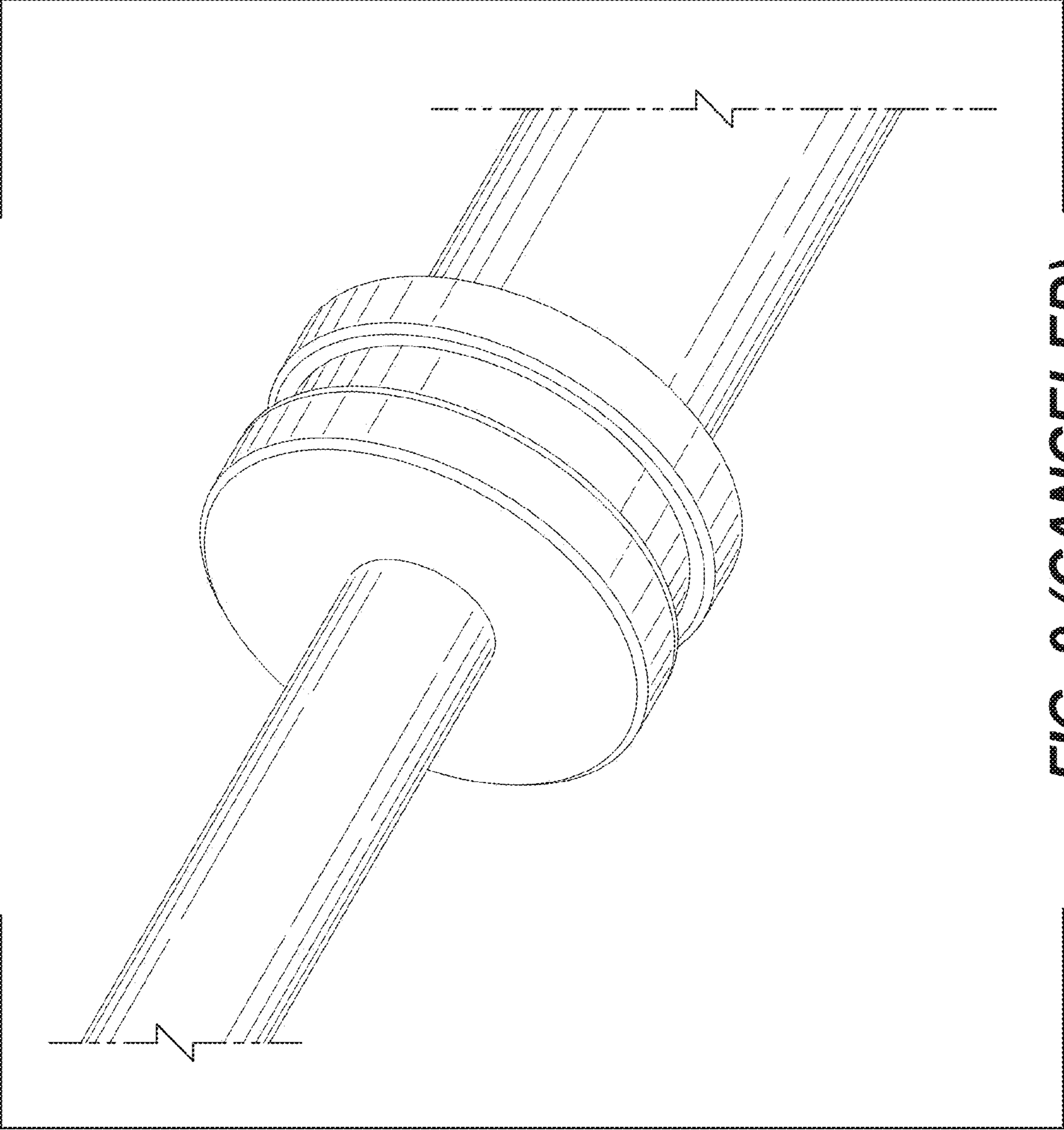


FIG. 9 (CANCELED)

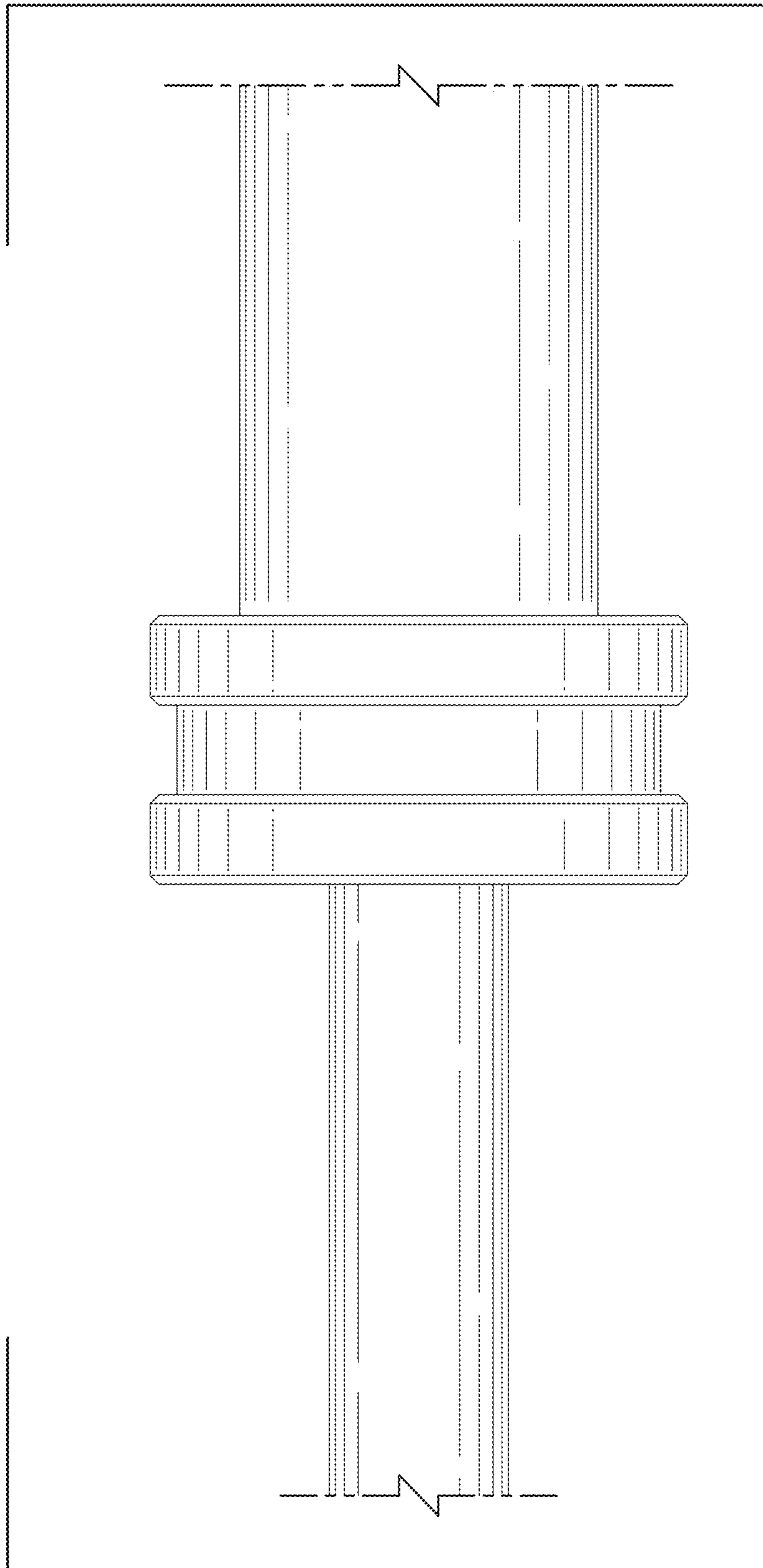


FIG. 10 (CANCELED)

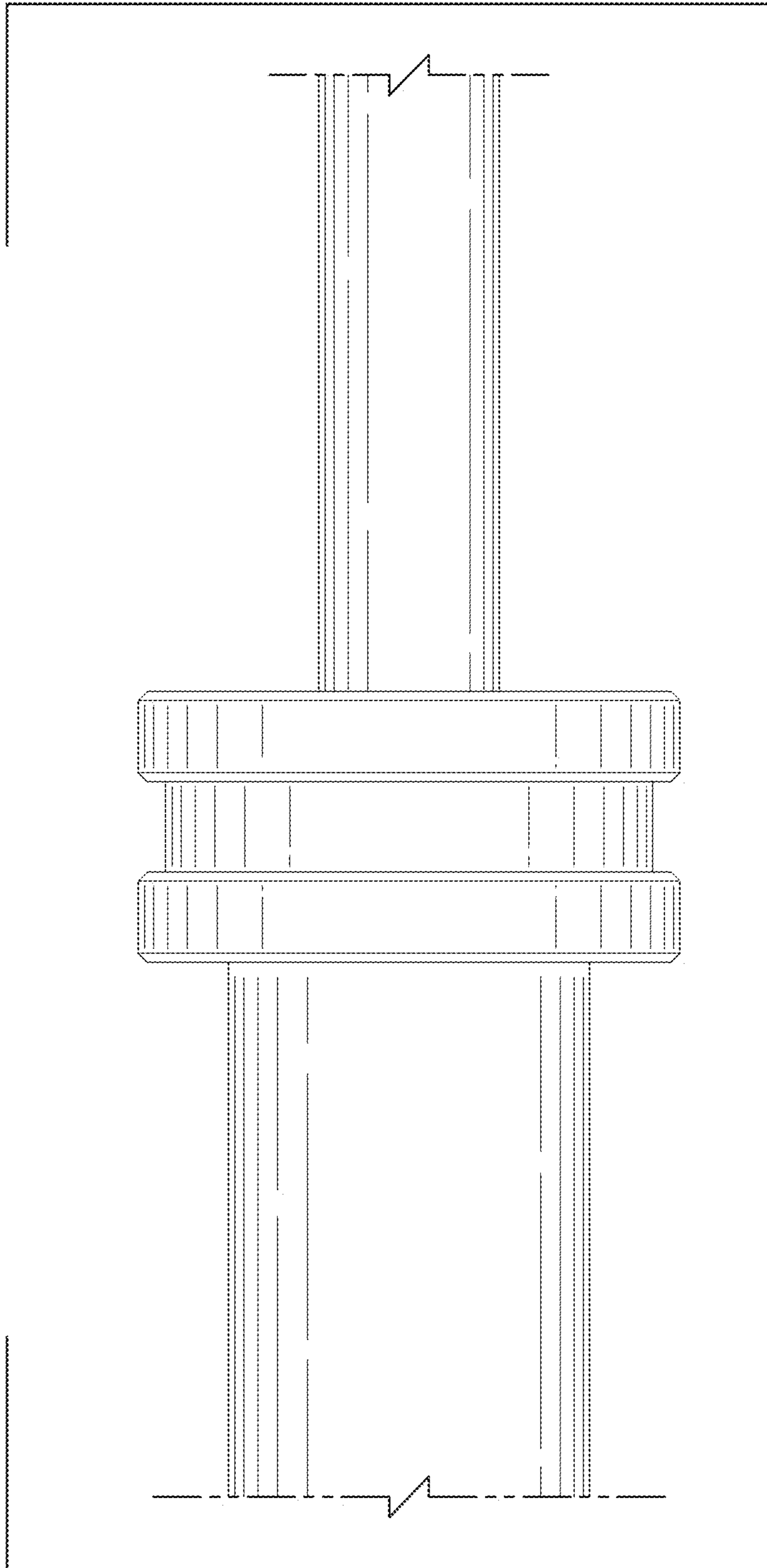


FIG. 11 (CANCELED)

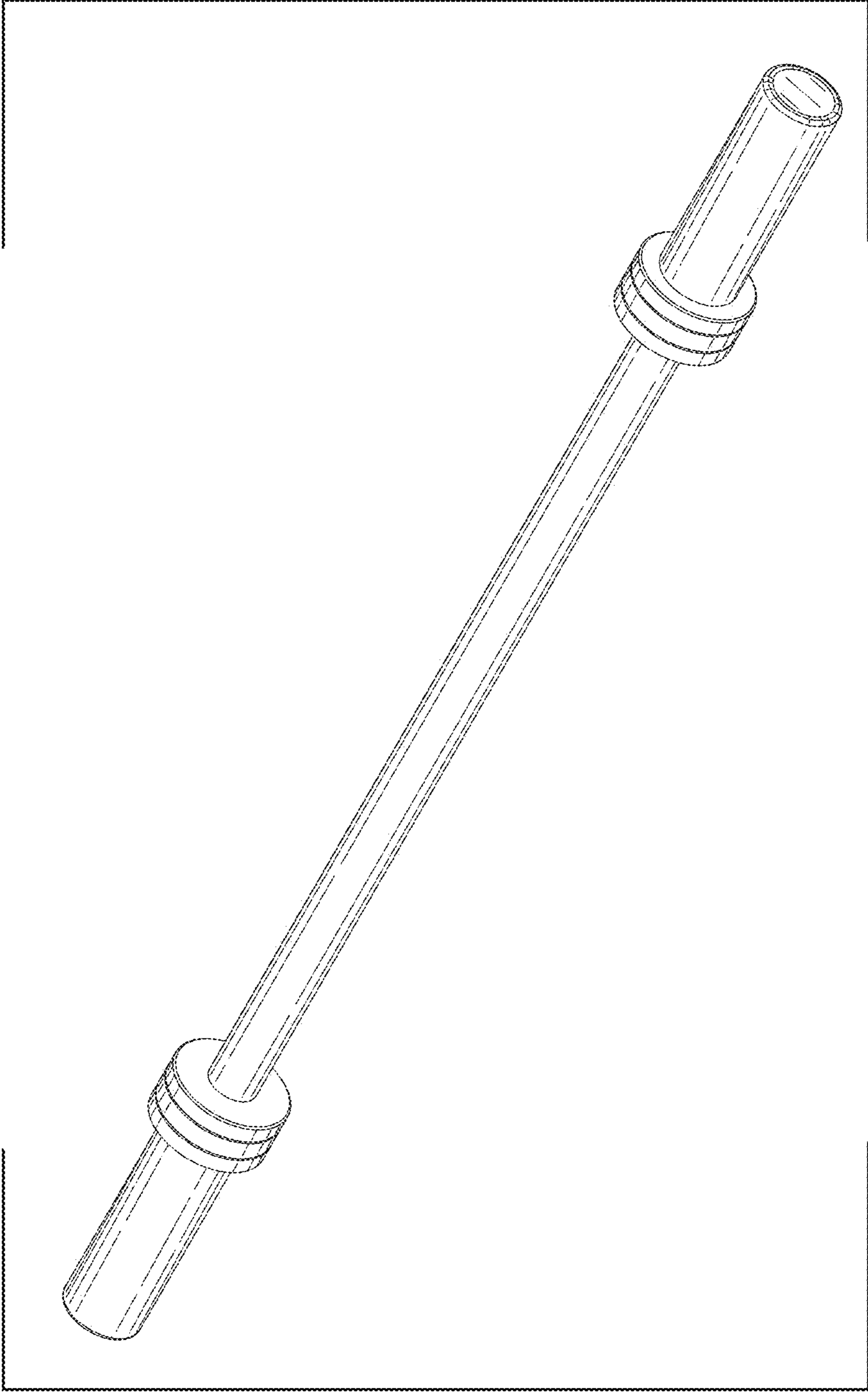


FIG. 12 (CANCELED)

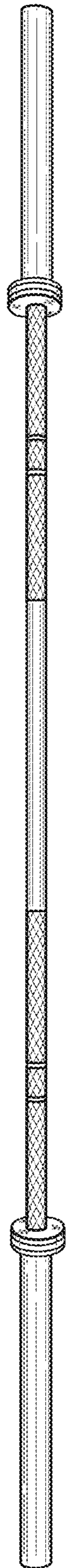


FIG. 13 (NEW)

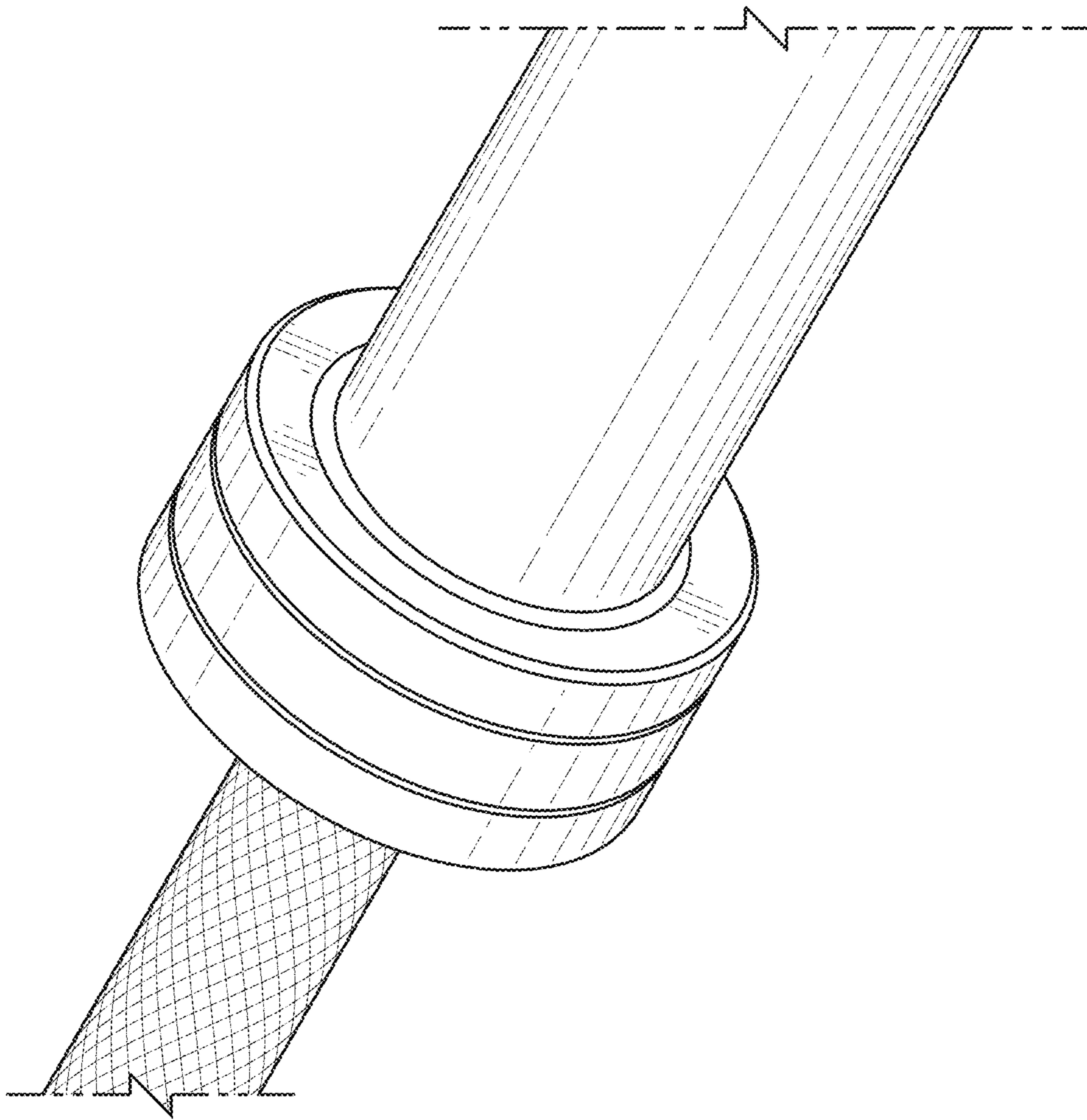


FIG. 14 (NEW)

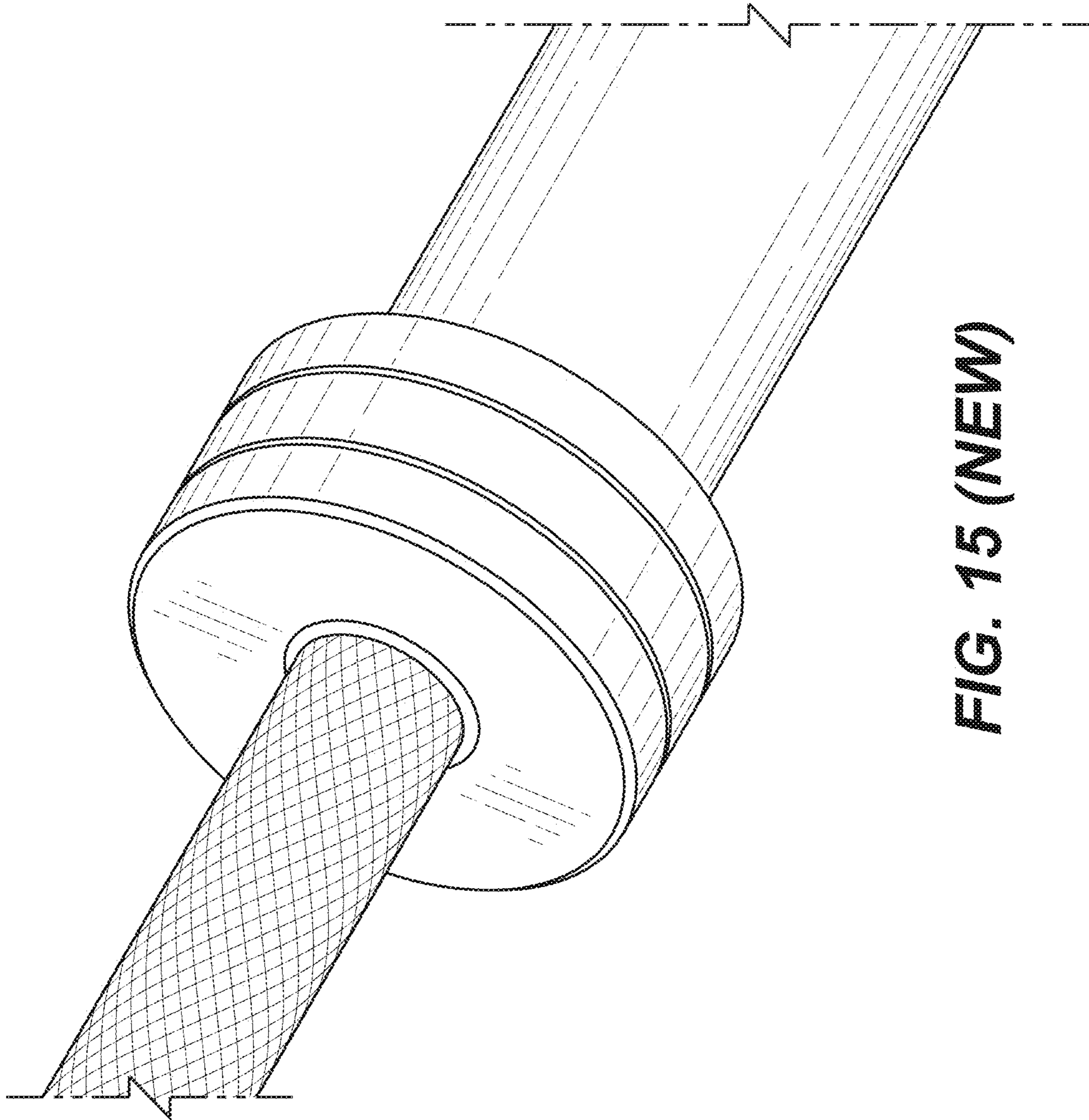


FIG. 15 (NEW)

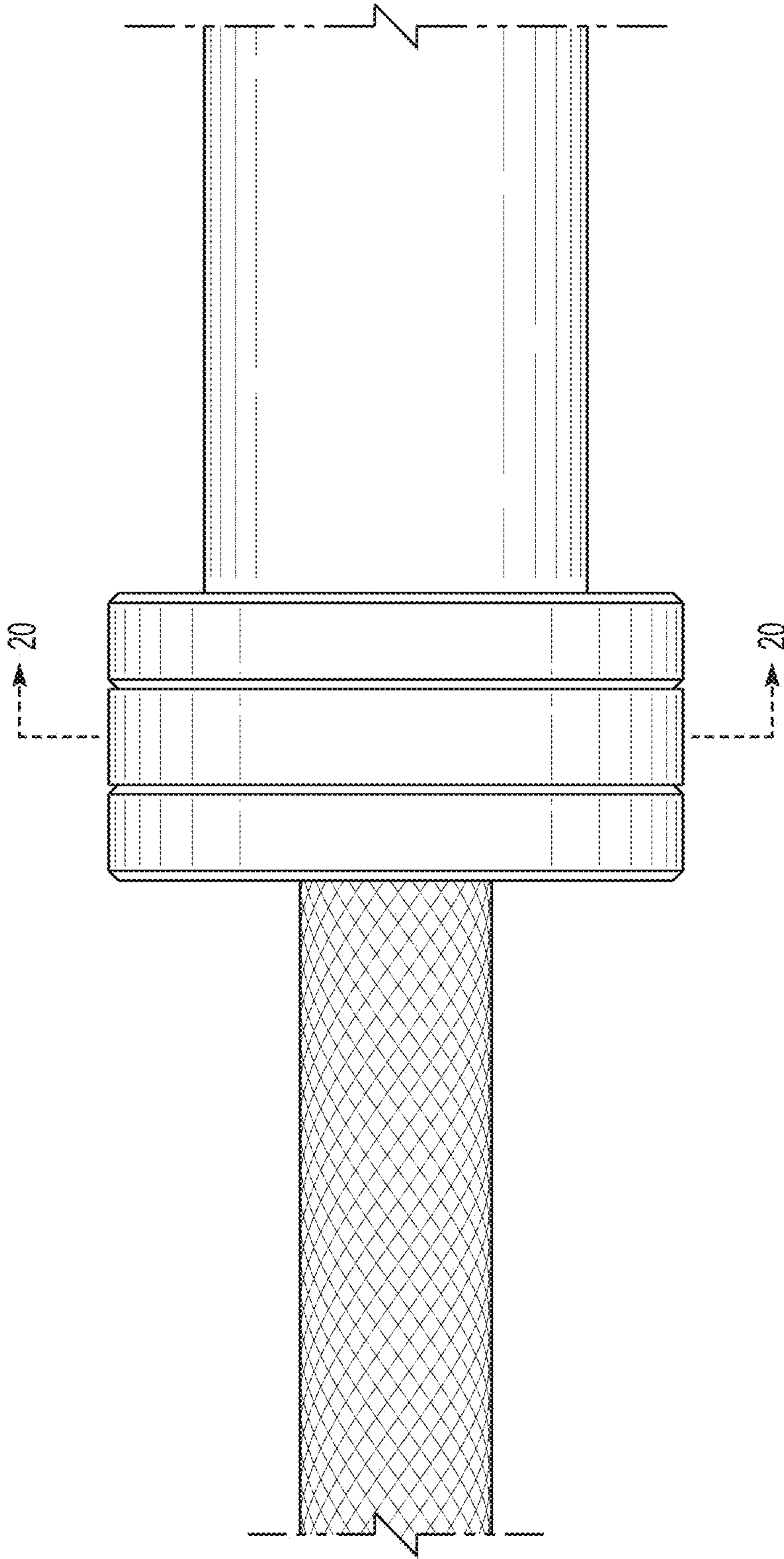


FIG. 16 (NEW)

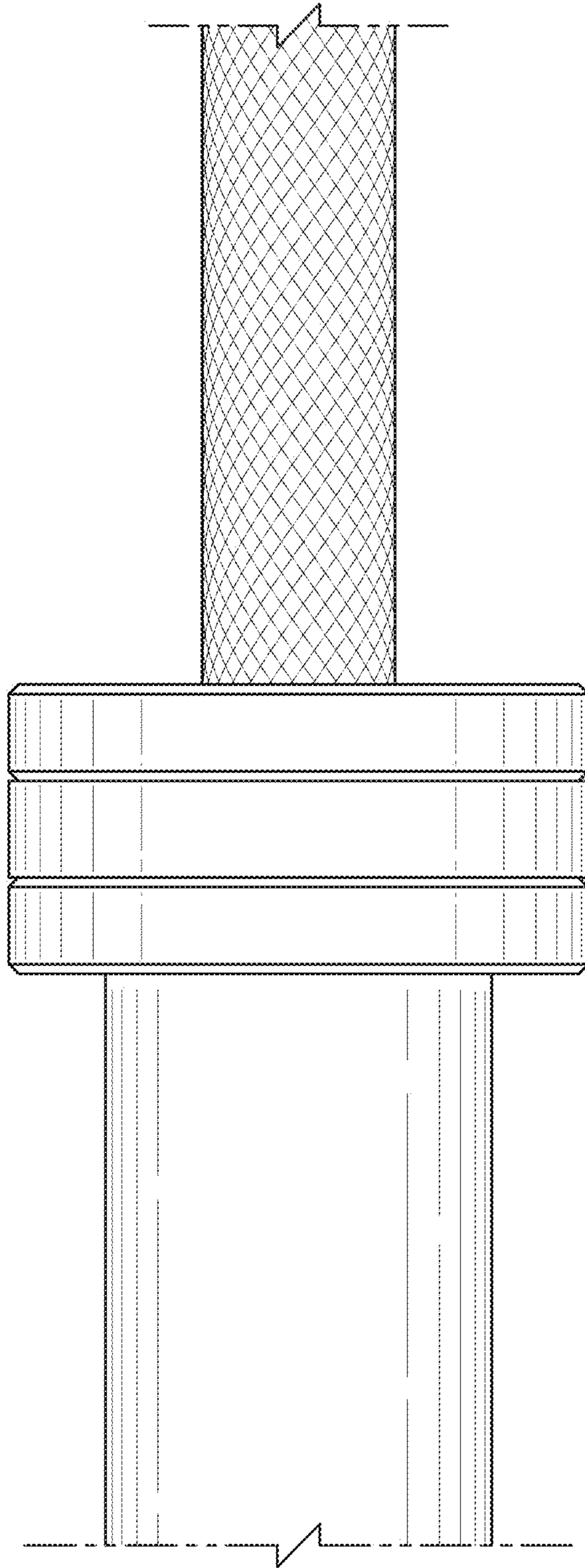


FIG. 17 (NEW)

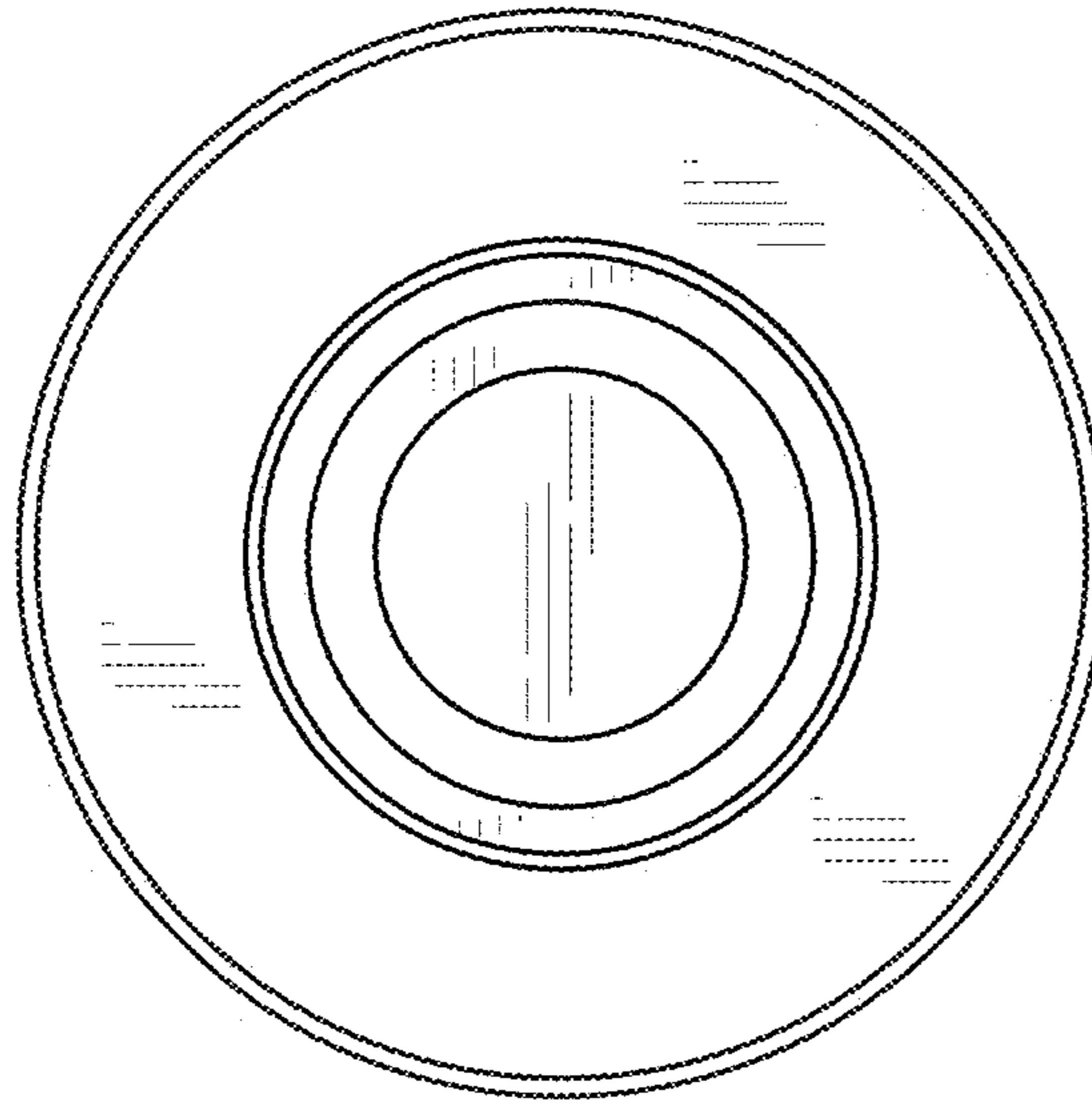


FIG. 18 (NEW)

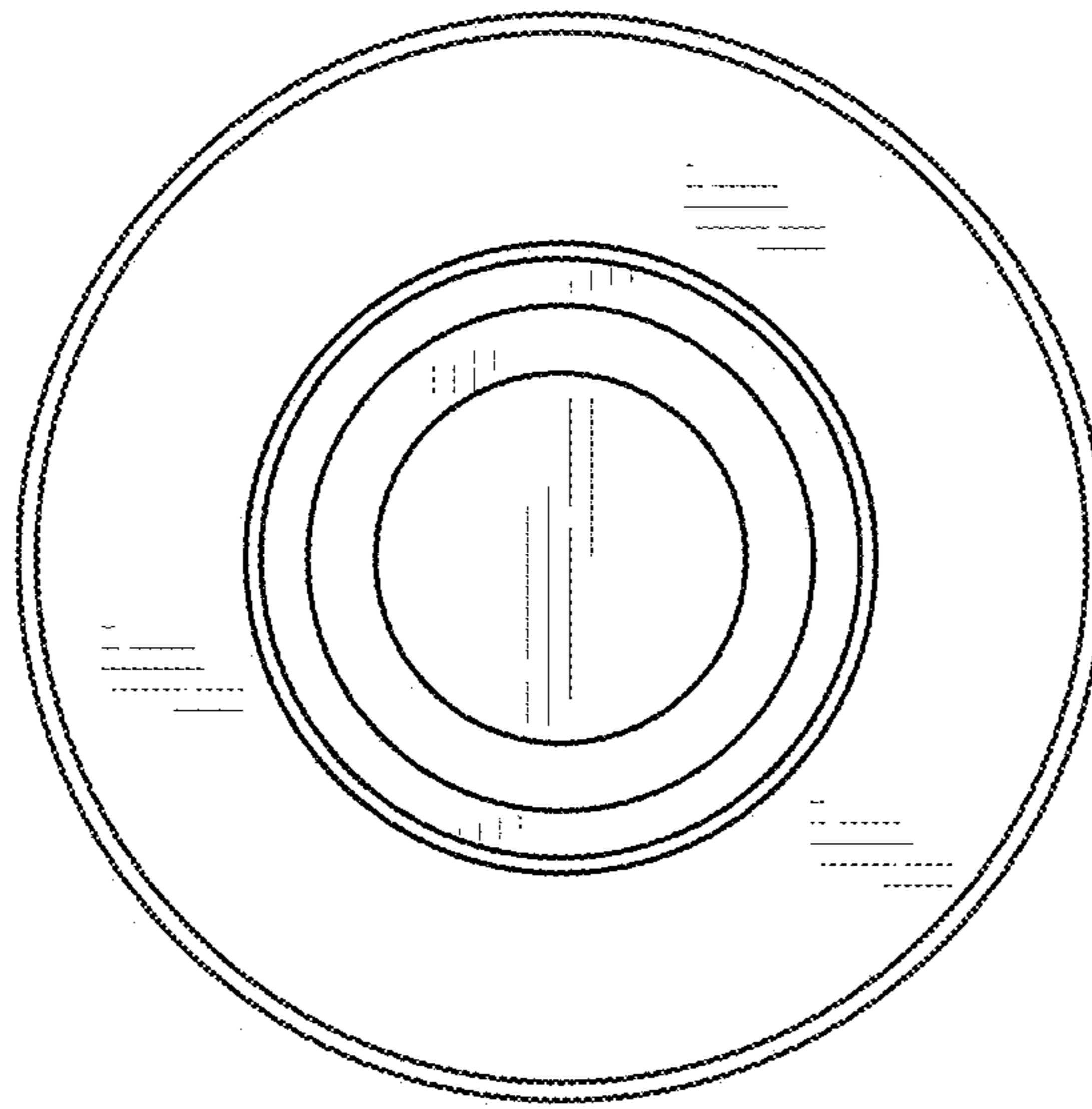


FIG. 19 (NEW)

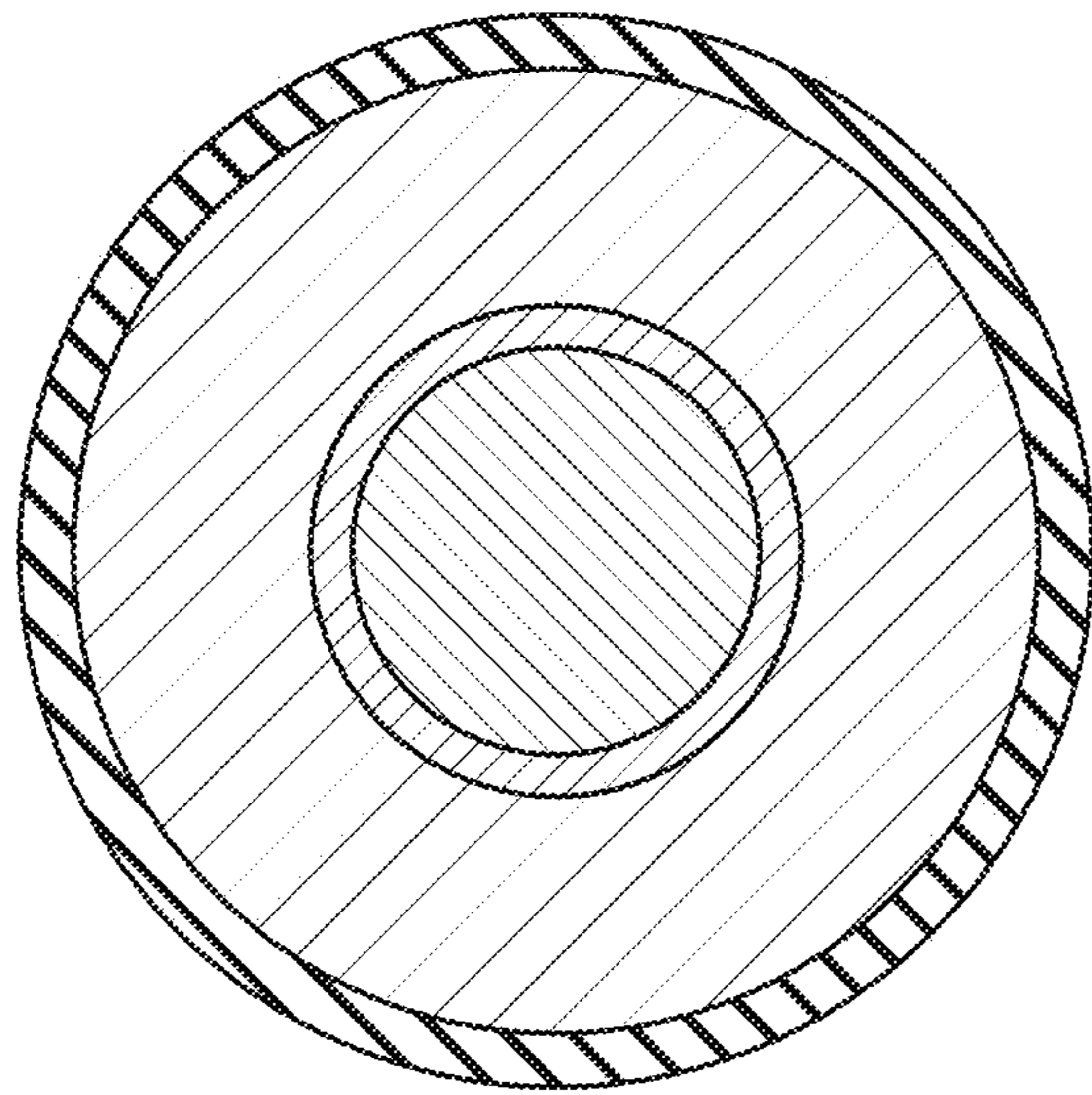


FIG. 20 (NEW)

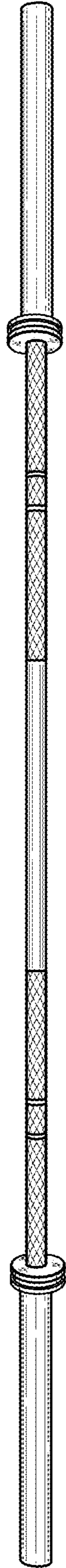


FIG. 21 (NEW)

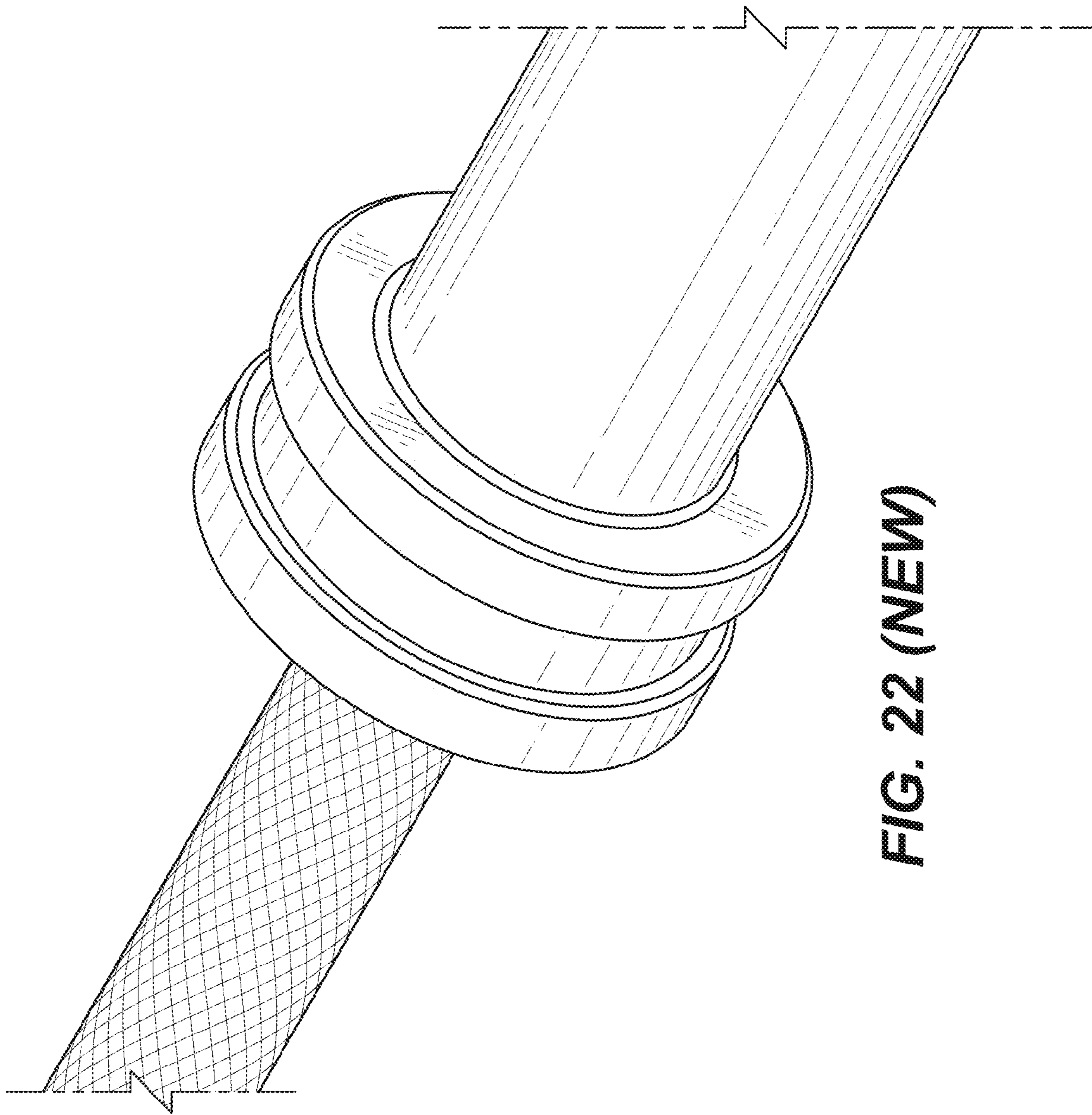


FIG. 22 (NEW)

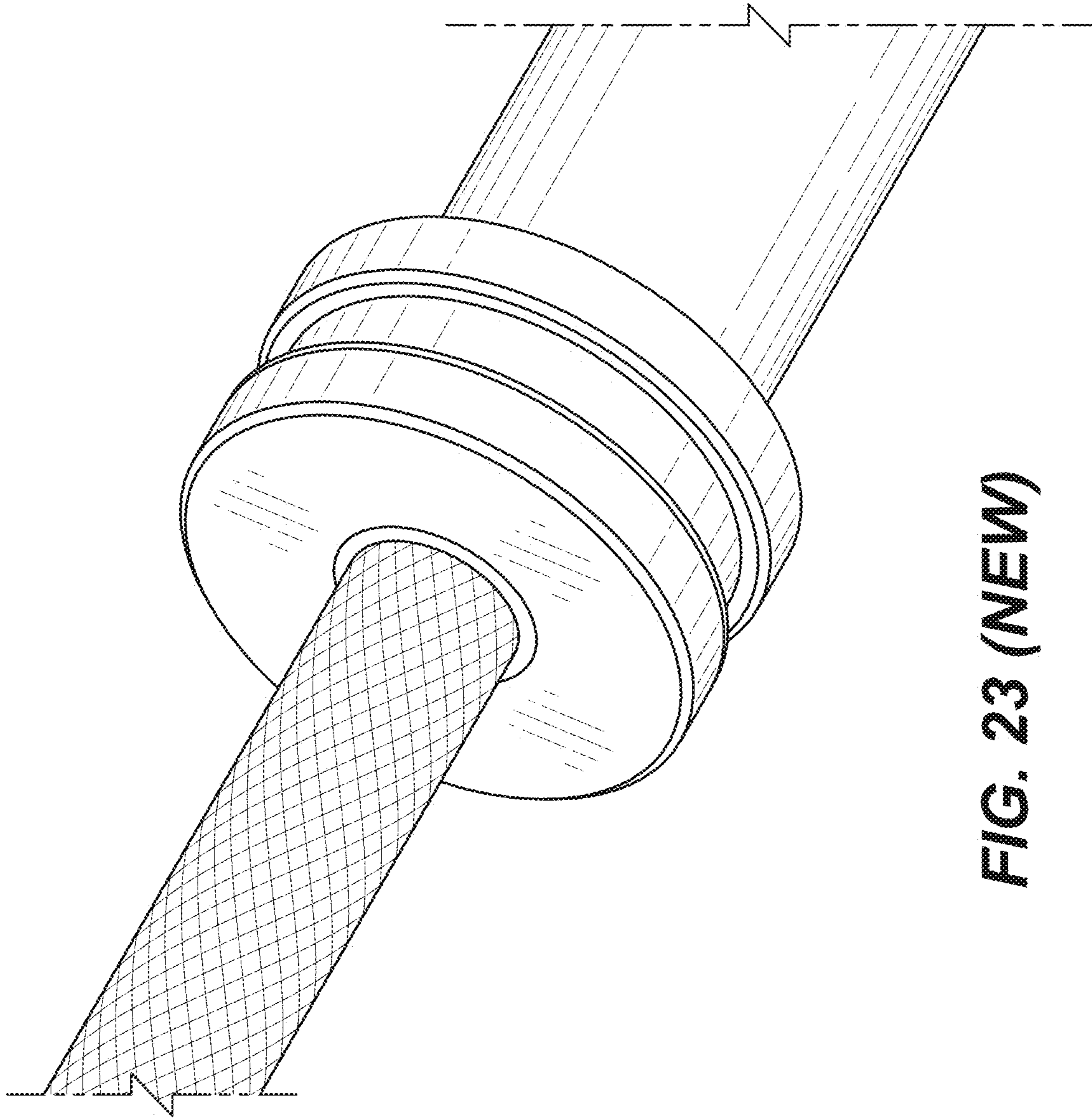


FIG. 23 (NEW)

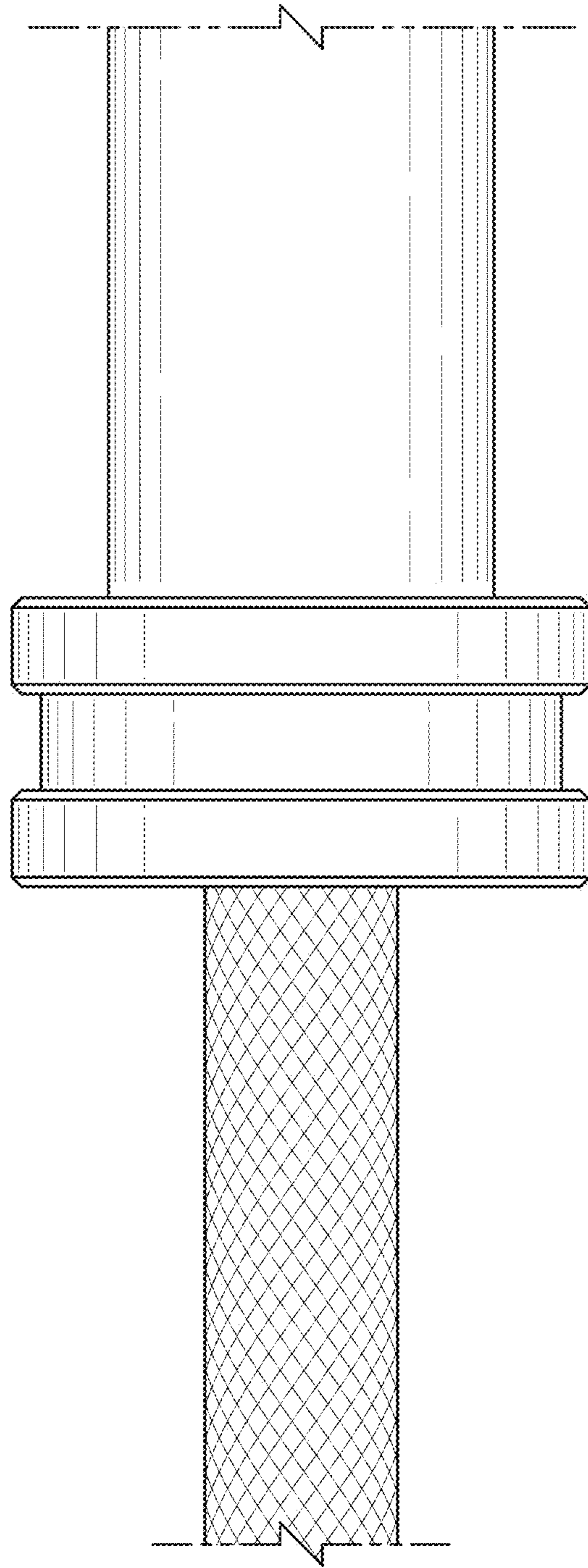


FIG. 24 (NEW)

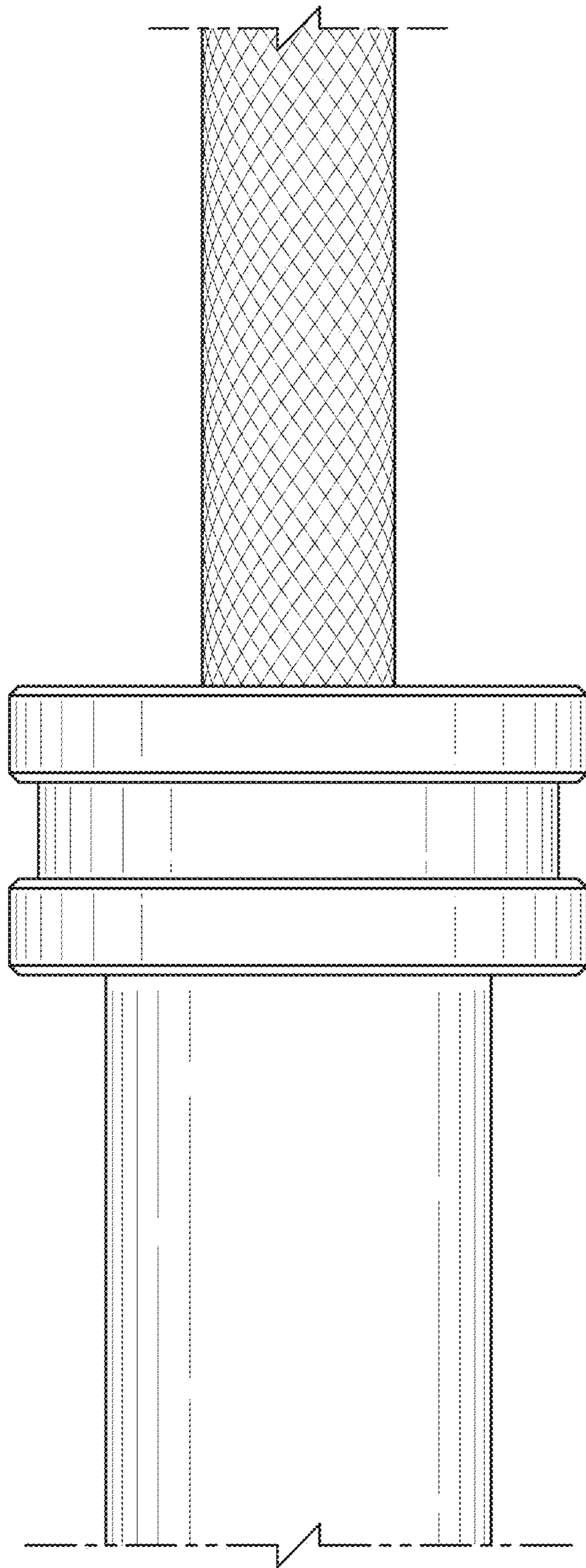


FIG. 25 (NEW)

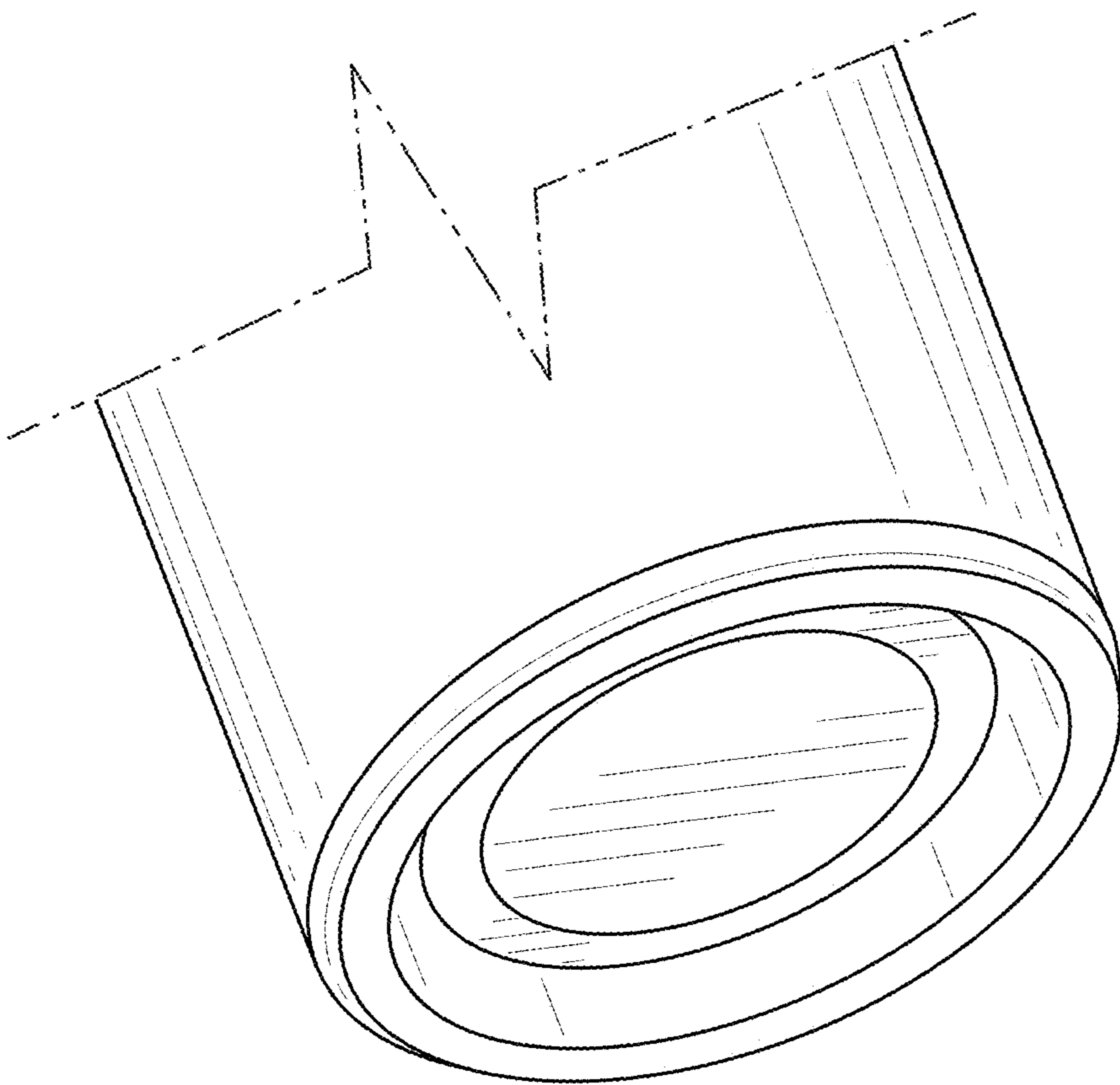


FIG. 26 (NEW)