



US00RE49498E

(19) **United States**
(12) **Reissued Patent**
Morris

(10) **Patent Number: US RE49,498 E**
(45) **Date of Reissued Patent: Apr. 25, 2023**

(54) **GOLF MAT**

(71) Applicant: **Charles W. Morris**, Charleston, SC
(US)

(72) Inventor: **Charles W. Morris**, Charleston, SC
(US)

(21) Appl. No.: **29/853,735**

(22) Filed: **Sep. 19, 2022**

Related U.S. Patent Documents

Reissue of:

(64) Patent No.: **Des. 937,951**
Issued: **Dec. 7, 2021**
Appl. No.: **29/721,430**
Filed: **Jan. 21, 2020**

(51) **LOC (14) Cl.** **21-02**

(52) **U.S. Cl.**
USPC **D21/792**

(58) **Field of Classification Search**
USPC D21/789, 791, 792; D10/71; D14/491
CPC A63B 69/3664; A63B 69/3623; A63B
69/3608; A63B 69/3658; A63B 69/3676;
A63B 69/3661; A63B 69/3697; A63B
69/36; A63B 69/3667; A63B 69/3685;
A63B 69/3614; A63B 69/3691
See application file for complete search history.

(56) **References Cited**

U.S. PATENT DOCUMENTS

1,944,696 A 1/1934 Reichl
3,523,689 A 8/1970 Cornell et al.
3,743,136 A 7/1973 Chambers
3,892,412 A 7/1975 Koo
3,936,055 A 2/1976 Scott
D249,077 S * 8/1978 Friskel D19/59
D275,413 S * 9/1984 Shroads D21/792
4,779,796 A * 10/1988 Lai A63B 69/3652
473/279
4,988,106 A 1/1991 Coonrod

D328,937 S * 8/1992 Becella D21/792
5,340,111 A * 8/1994 Froelich A63B 69/3652
108/7
D359,336 S * 6/1995 DeLapp D21/792
5,445,380 A 8/1995 Polsky
5,470,074 A * 11/1995 Hotchkiss A63B 69/3652
473/279
5,645,494 A 7/1997 Thomas et al.
6,001,026 A * 12/1999 Breneman A63B 69/3623
473/261
6,312,345 B1 11/2001 Pelz
(Continued)

Primary Examiner — Philip S Hyder

(74) *Attorney, Agent, or Firm* — Nelson Mullins Riley &
Scarborough LLP

(57) **CLAIM**

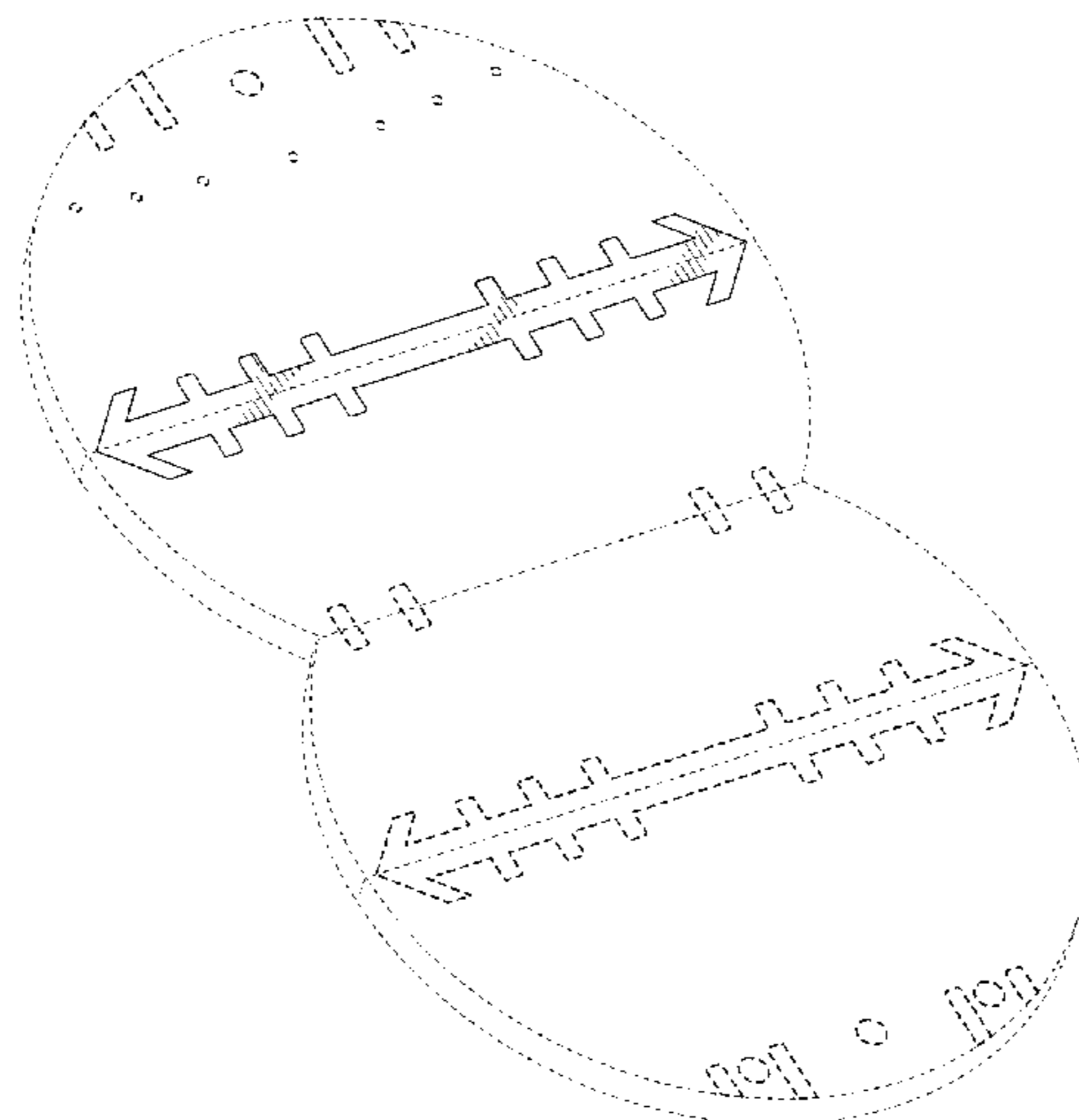
The ornamental design for a golf mat, substantially as shown
and described.

DESCRIPTION

FIG. 1 is a perspective view of a new, original, and orna-
mental design of a golf mat in accordance with the present
invention;
FIG. 2 is a top side plan view of the design of FIG. 1;
FIG. 3 is a bottom side plan view of the design of FIG. 1;
FIG. 4 is a left side elevation view of the design of FIG. 1;
FIG. 5 is a right side elevation view of the design of FIG. 1;
FIG. 6 is a front side elevation view of the design of FIG. 1;
and,
FIG. 7 is a rear side elevation view of the design of FIG. 1.
The portions shown in broken lines in the Figures form no
part of the claimed design.

1 Claim, 5 Drawing Sheets

**Matter enclosed in heavy brackets [] appears in the
original patent but forms no part of this reissue; matter
printed in italics indicates the additions made by reissue.**



(56)

References Cited

U.S. PATENT DOCUMENTS

D501,239 S * 1/2005 Bodor D21/792
 D502,241 S * 2/2005 Nevill D21/791
 D509,276 S 9/2005 Sear
 D509,873 S * 9/2005 Dias D21/792
 D521,096 S * 5/2006 Pelz D21/792
 D537,141 S * 2/2007 Peterson D21/791
 D545,934 S * 7/2007 Hardy, Jr. D21/798
 D596,260 S * 7/2009 Hall, Sr. D21/792
 D602,040 S * 10/2009 Matsuguma A63B 69/3661
 D14/491
 D607,076 S * 12/2009 Hadley D21/791
 7,699,715 B2 4/2010 McFarlin et al.
 D653,719 S * 2/2012 Palonis D21/792
 8,221,256 B2 7/2012 Broering
 8,282,502 B1 * 10/2012 Angstead A63B 69/3661
 473/278
 8,702,528 B1 4/2014 Montgomery
 D705,807 S * 5/2014 Tursi D14/491

D716,892 S * 11/2014 Schlosser D21/792
 D727,449 S 4/2015 Sun
 D729,273 S * 5/2015 Mariet A63B 69/3667
 D14/491
 D731,610 S * 6/2015 Marcy D21/792
 D777,864 S * 1/2017 Shirakawa D21/791
 D803,872 S * 11/2017 Cole D14/491
 D828,472 S * 9/2018 Alcantara D21/792
 D855,723 S * 8/2019 Sjostrom D21/791
 D860,366 S * 9/2019 Bailey D21/792
 D937,951 S 12/2021 Morris
 2005/0227774 A1 * 10/2005 Buck A63B 69/3667
 473/270
 2007/0042829 A1 2/2007 Dennesen
 2007/0191128 A1 8/2007 Tirol
 2013/0337928 A1 * 12/2013 Scott A63B 69/3661
 473/218
 2016/0067580 A1 3/2016 Viera
 2018/0200596 A1 7/2018 Shill
 2022/0054921 A1 * 2/2022 Morris A63B 69/3661

* cited by examiner

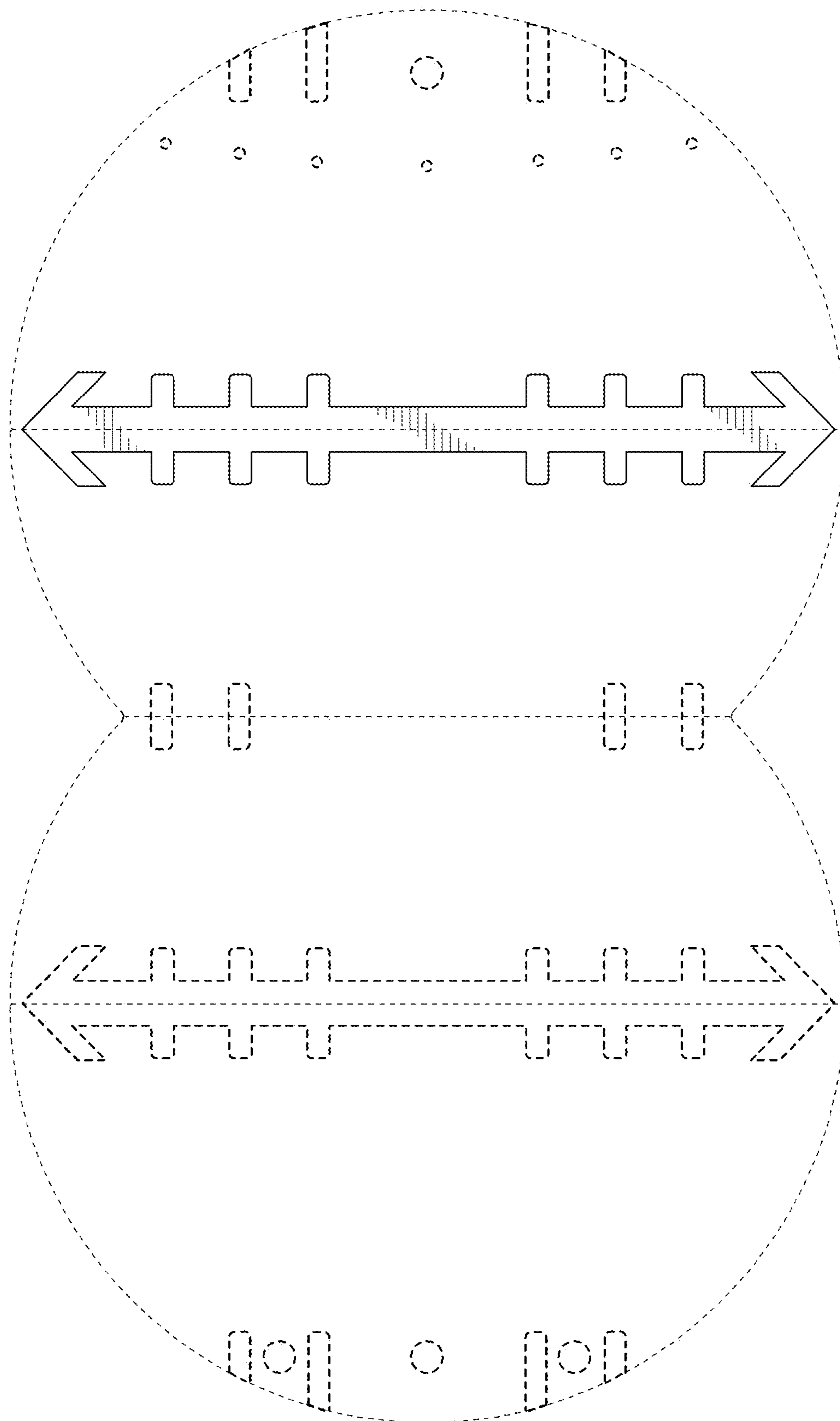


FIG. 2

[AMENDED]

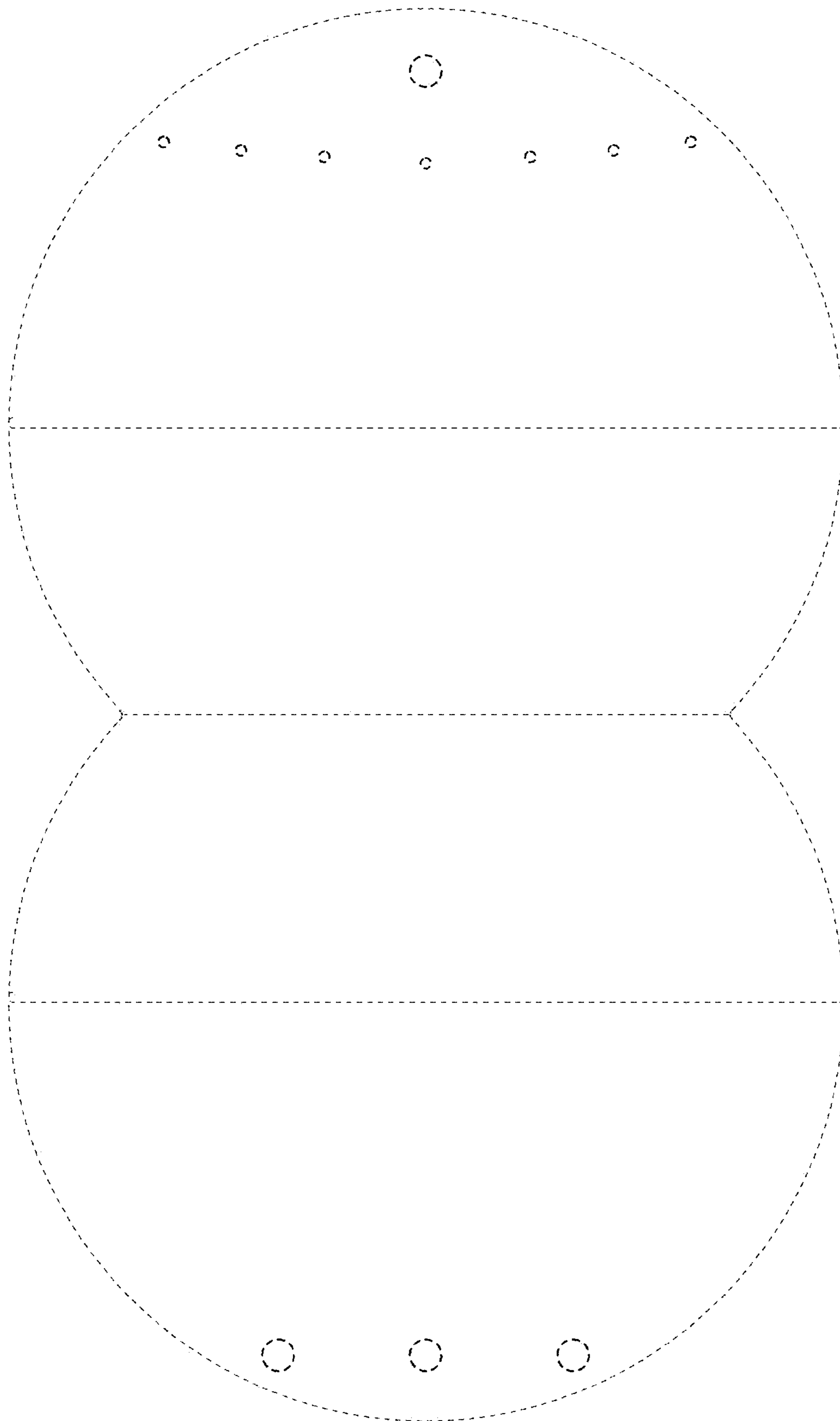


FIG. 3
[AMENDED]

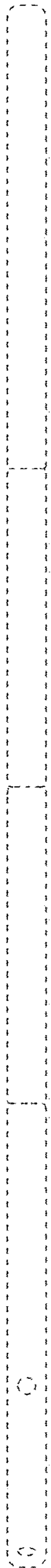


FIG. 4

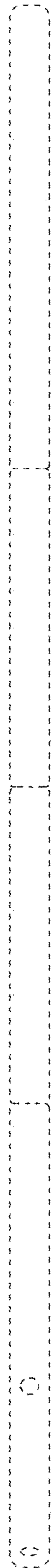


FIG. 5

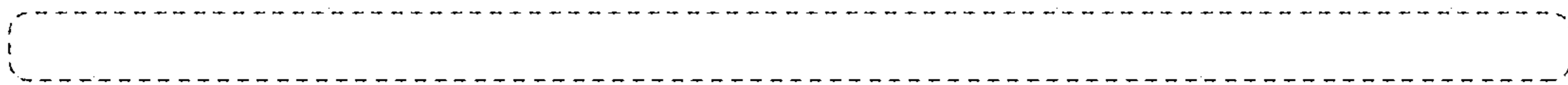


FIG. 6



FIG. 7