



US00RE49411E

(19) **United States**
(12) **Reissued Patent**
Chaupin et al.

(10) **Patent Number: US RE49,411 E**
(45) **Date of Reissued Patent: Feb. 7, 2023**

(54) **SECURE TUBE COUPLING WITH
AUTOMATIC CONNECTION**

(71) Applicant: **A. RAYMOND ET CIE**, Grenoble
(FR)

(72) Inventors: **Jerome Chaupin**, Saint Pierre
d'Alleward (FR); **Frederic Poggi**,
Seyssinet Pariset (FR)

(73) Assignee: **A. RAYMOND ET CIE**, Grenoble
(FR)

(21) Appl. No.: **17/167,279**

(22) Filed: **Feb. 4, 2021**

Related U.S. Patent Documents

Reissue of:

(64) Patent No.: **10,808,872**
Issued: **Oct. 20, 2020**
Appl. No.: **15/342,573**
Filed: **Nov. 3, 2016**

(30) **Foreign Application Priority Data**

Nov. 20, 2015 (FR) 1561186

(51) **Int. Cl.**
F16L 37/12 (2006.01)
F16L 37/088 (2006.01)
F16L 37/14 (2006.01)

(52) **U.S. Cl.**
CPC **F16L 37/1225** (2013.01); **F16L 37/0885**
(2019.08); **F16L 37/144** (2013.01); **F16L**
2201/10 (2013.01)

(58) **Field of Classification Search**
CPC .. **F16L 37/1225**; **F16L 37/0885**; **F16L 37/144**
See application file for complete search history.

(56) **References Cited**

U.S. PATENT DOCUMENTS

6,702,335 B2 3/2004 Bahner et al.
6,846,021 B2 1/2005 Rohde et al.
(Continued)

FOREIGN PATENT DOCUMENTS

CN 204664684 U 9/2015
FR 2910109 A1 6/2008
(Continued)

OTHER PUBLICATIONS

French Search Report and Written Opinion dated Jul. 14, 2016.
(Continued)

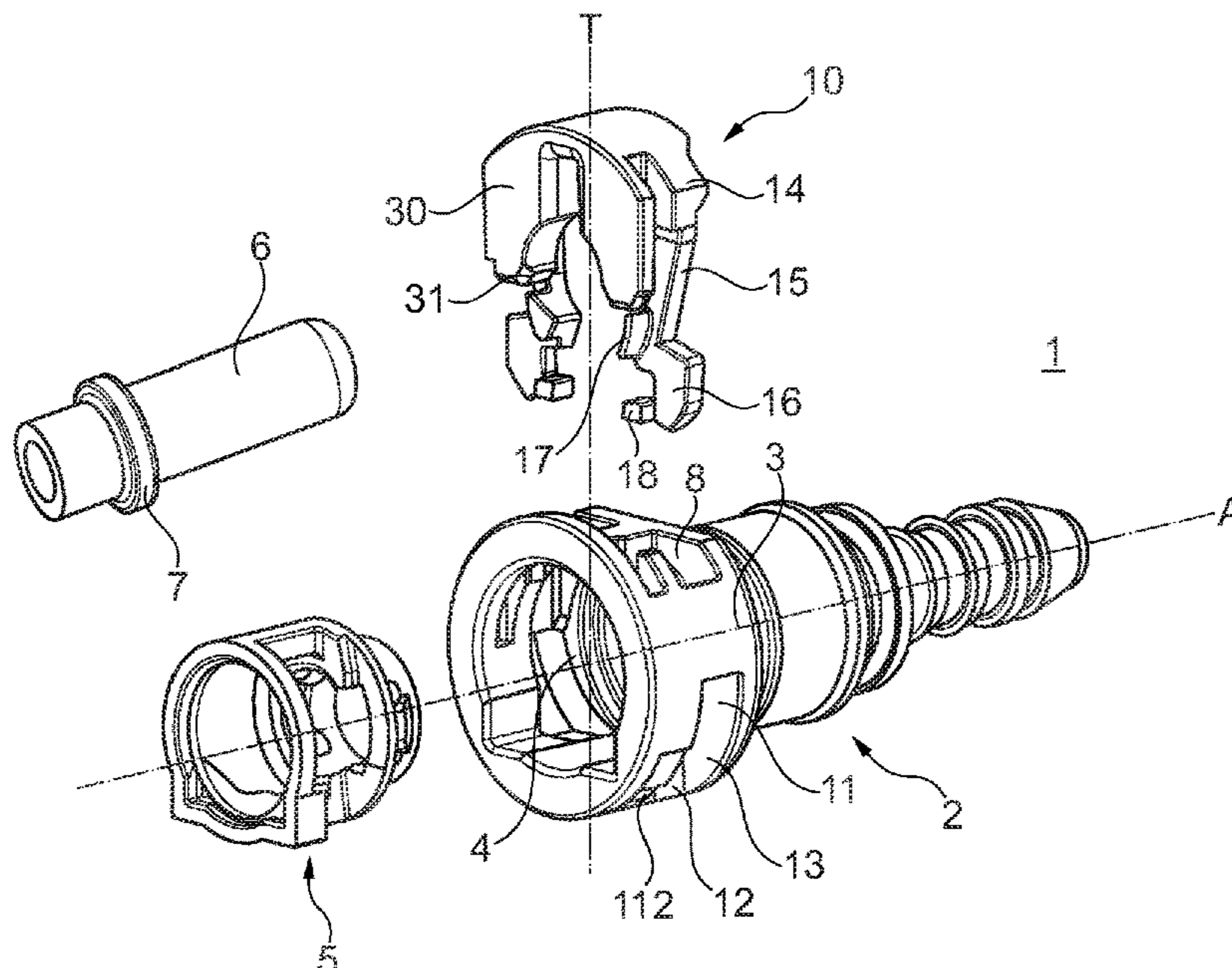
Primary Examiner — Beverly M Flanagan

(74) *Attorney, Agent, or Firm* — Warner Norcross + Judd
LLP

(57) **ABSTRACT**

A tube coupling including a female connector a body into which a male connector having an annular collar is inserted axially, and a connection element is provided. The connection element extends in a transverse direction within the body of the female connector. The connection element is designed to interfere mechanically with the collar during insertion of the male connector and to move transversely of its own accord towards the inside of the female connector. The connection element includes a locking hook that cooperates with a locking catch provided in the female connector. The hook goes past the catch as a result of the mechanical interference of the collar that drives axial and radial elastic deformation of the connection element. The hook locks against the catch when the connection element is fully pushed into the female connector.

13 Claims, 4 Drawing Sheets



(56)

References Cited

U.S. PATENT DOCUMENTS

6,866,303 B2 3/2005 Szabo et al.
 7,014,220 B2 3/2006 Szabo et al.
 7,390,025 B2 6/2008 Pepe et al.
 7,464,970 B2 12/2008 Yamada et al.
 7,484,774 B2 2/2009 Kerin et al.
 7,497,480 B2 3/2009 Kerin et al.
 7,527,303 B2 5/2009 Furuya
 7,566,077 B2 7/2009 Tsurumi
 7,677,608 B2 3/2010 Takayanagi
 7,823,930 B2* 11/2010 Feger F16L 37/144
 285/319
 8,033,575 B2 10/2011 Tsurumi
 8,240,716 B2 8/2012 Kerin et al.
 8,292,333 B2 10/2012 Ogawa et al.
 8,297,659 B2 10/2012 Callahan
 8,408,604 B2 4/2013 Yamada et al.
 8,596,690 B2 12/2013 Yamada et al.
 8,613,473 B2 12/2013 Spielmann
 9,212,773 B2 12/2015 Okazaki
 9,447,905 B2 9/2016 Nagaya
 9,677,699 B2 6/2017 Barthel et al.
 9,816,657 B2 11/2017 Daimon et al.
 9,816,658 B2 11/2017 Ishizaka et al.
 10,422,459 B2 9/2019 Jones et al.
 10,612,708 B2 4/2020 Chetan

2005/0087981 A1* 4/2005 Yamada F16L 37/0982
 285/81
 2005/0218650 A1* 10/2005 Pepe F16L 37/088
 285/308
 2006/0103134 A1* 5/2006 Kerin F16L 37/088
 285/305
 2008/0150280 A1 6/2008 Feger et al.
 2010/0052315 A1* 3/2010 Kerin F16L 37/144
 285/148.21
 2011/0127766 A1* 6/2011 Tsurumi F16L 37/144
 285/305
 2012/0326435 A1 12/2012 Okazaki
 2013/0082459 A1* 4/2013 Kaneko F16L 37/088
 285/93
 2017/0067588 A1 3/2017 Chaupin et al.

FOREIGN PATENT DOCUMENTS

JP 2010270867 A 12/2010
 JP 2020270867 A 12/2010
 WO 2015177472 A1 11/2015

OTHER PUBLICATIONS

Korean Office Action dated Sep. 5, 2018.
 Office Action dated Jul. 30, 2019 corresponding to Indian Application No. 201614038609.

* cited by examiner

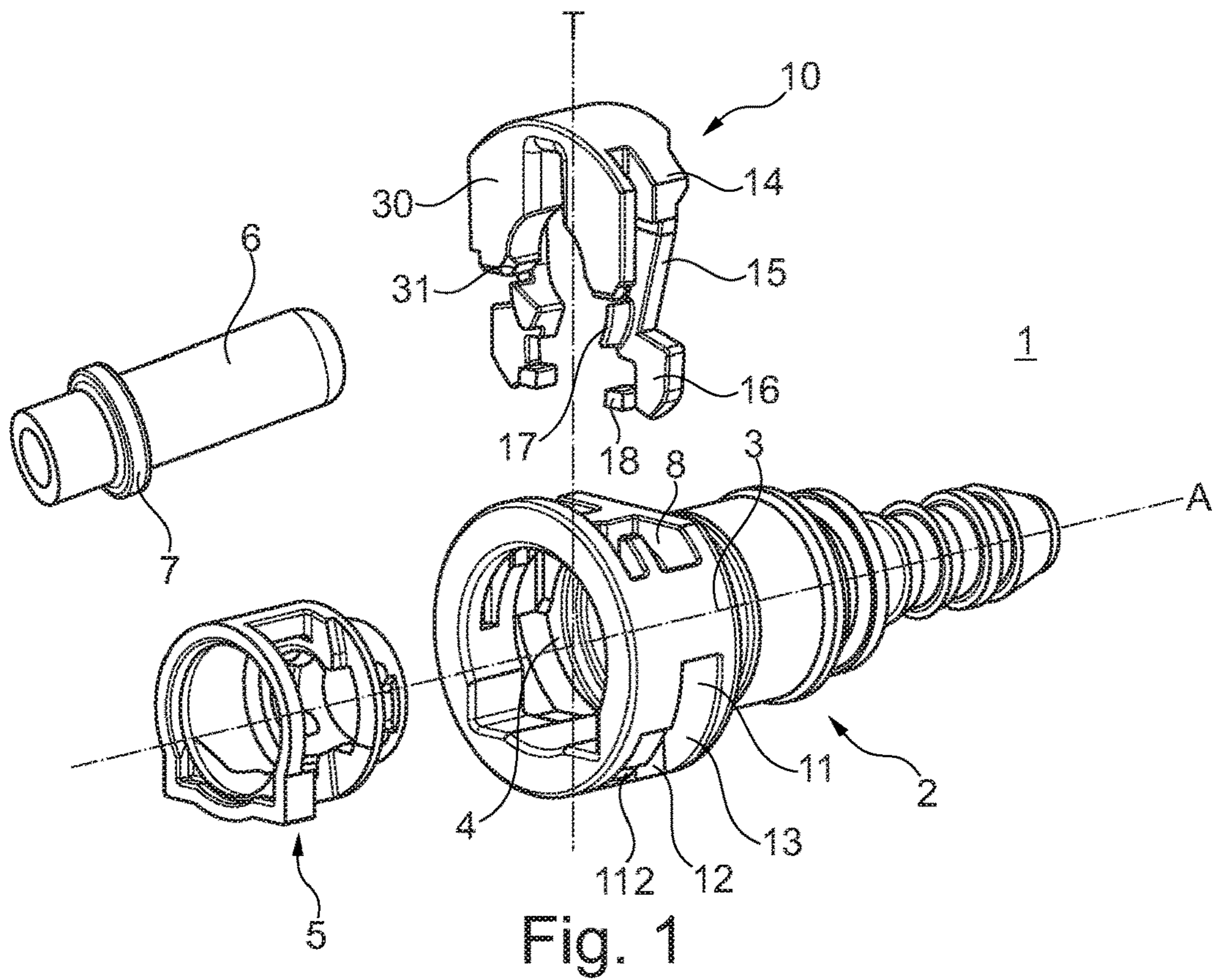


Fig. 1

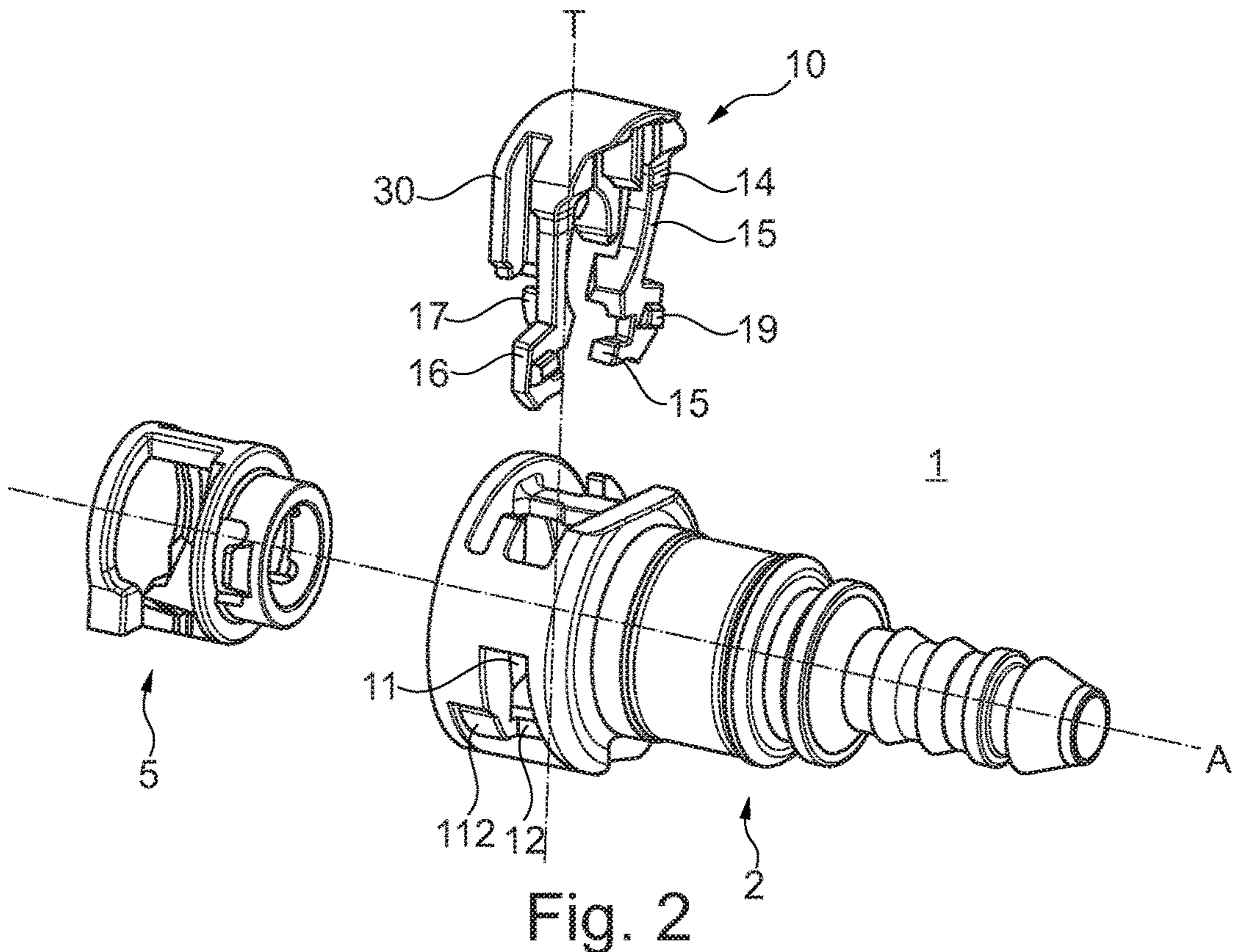
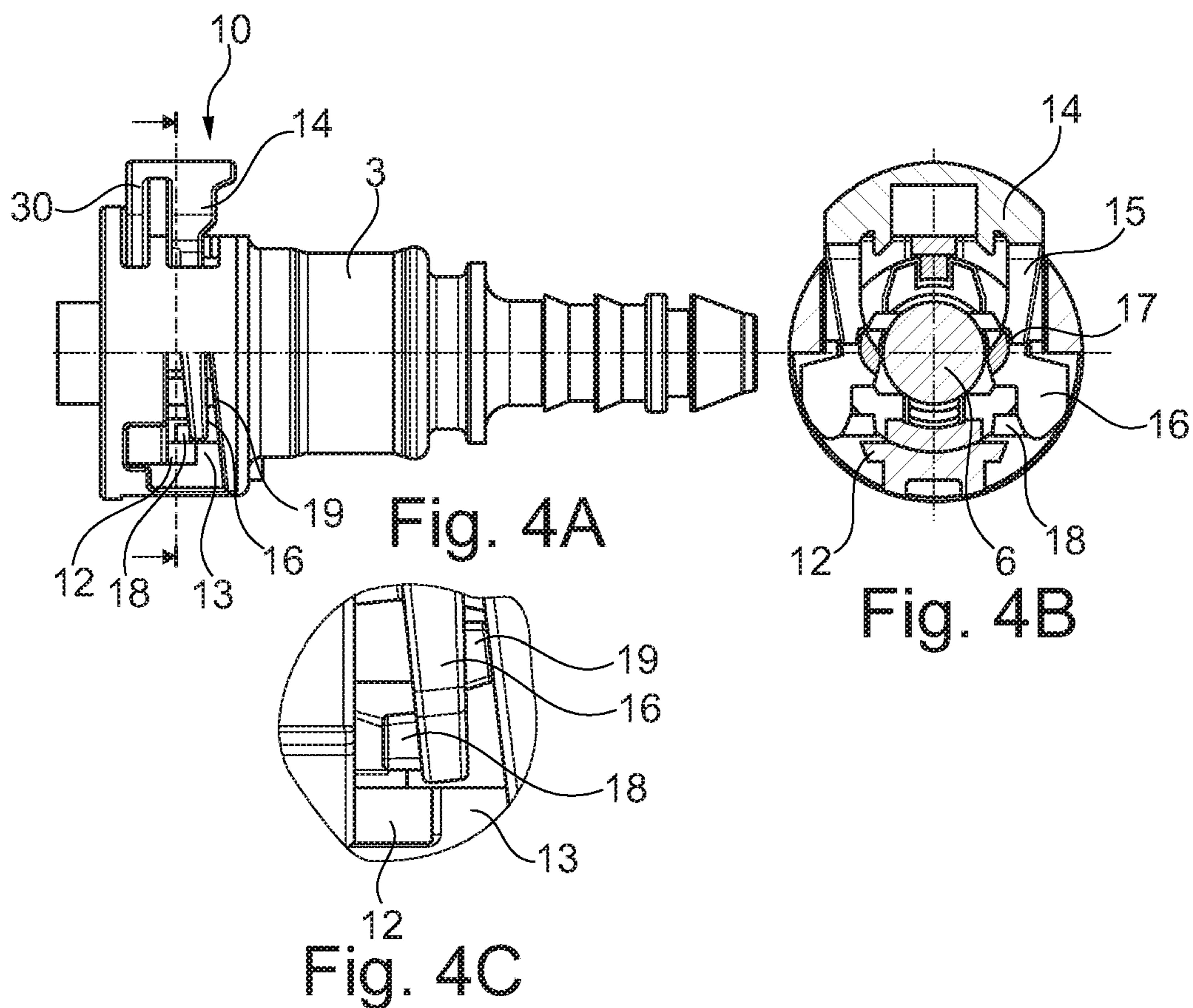
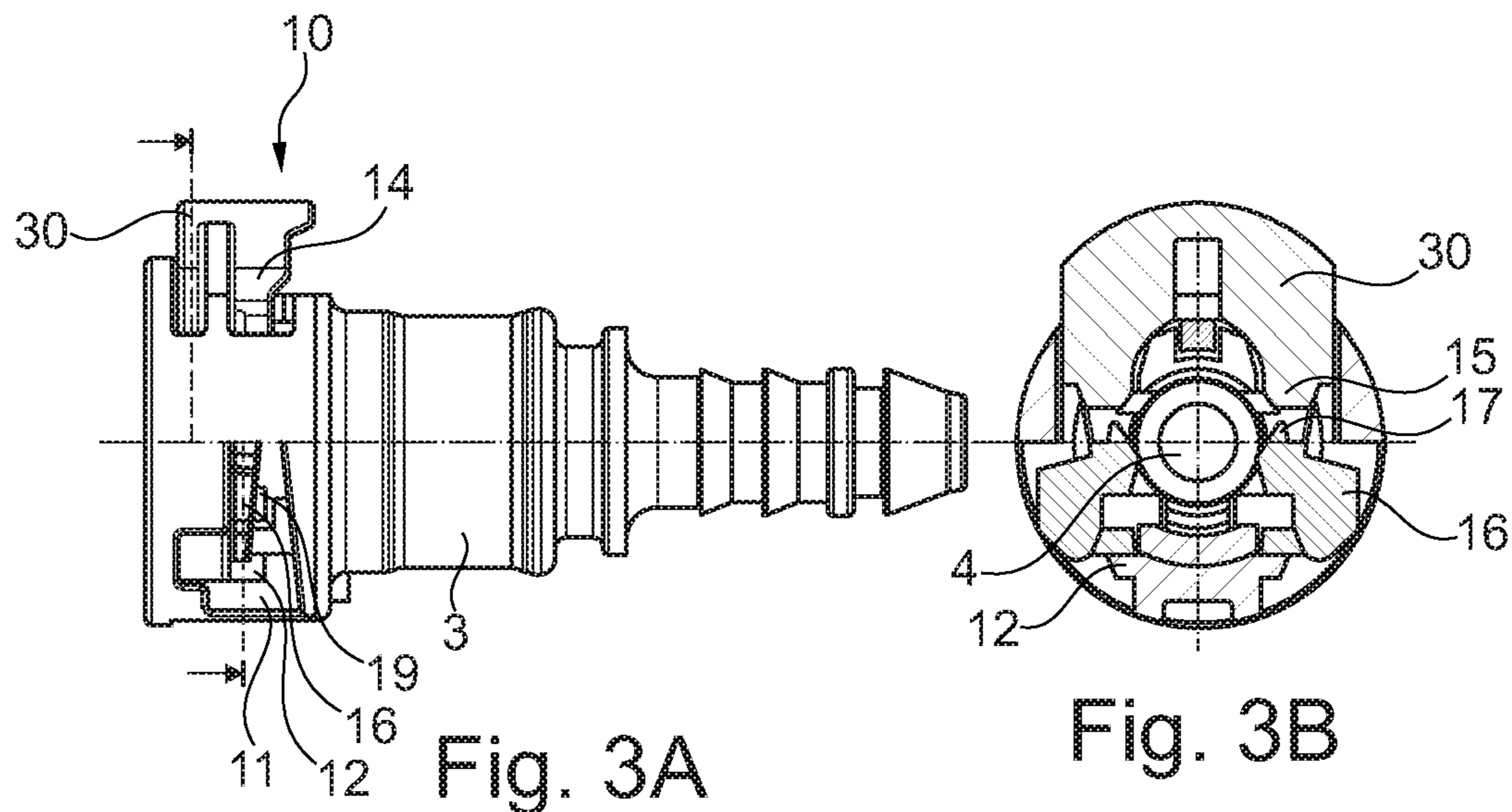


Fig. 2



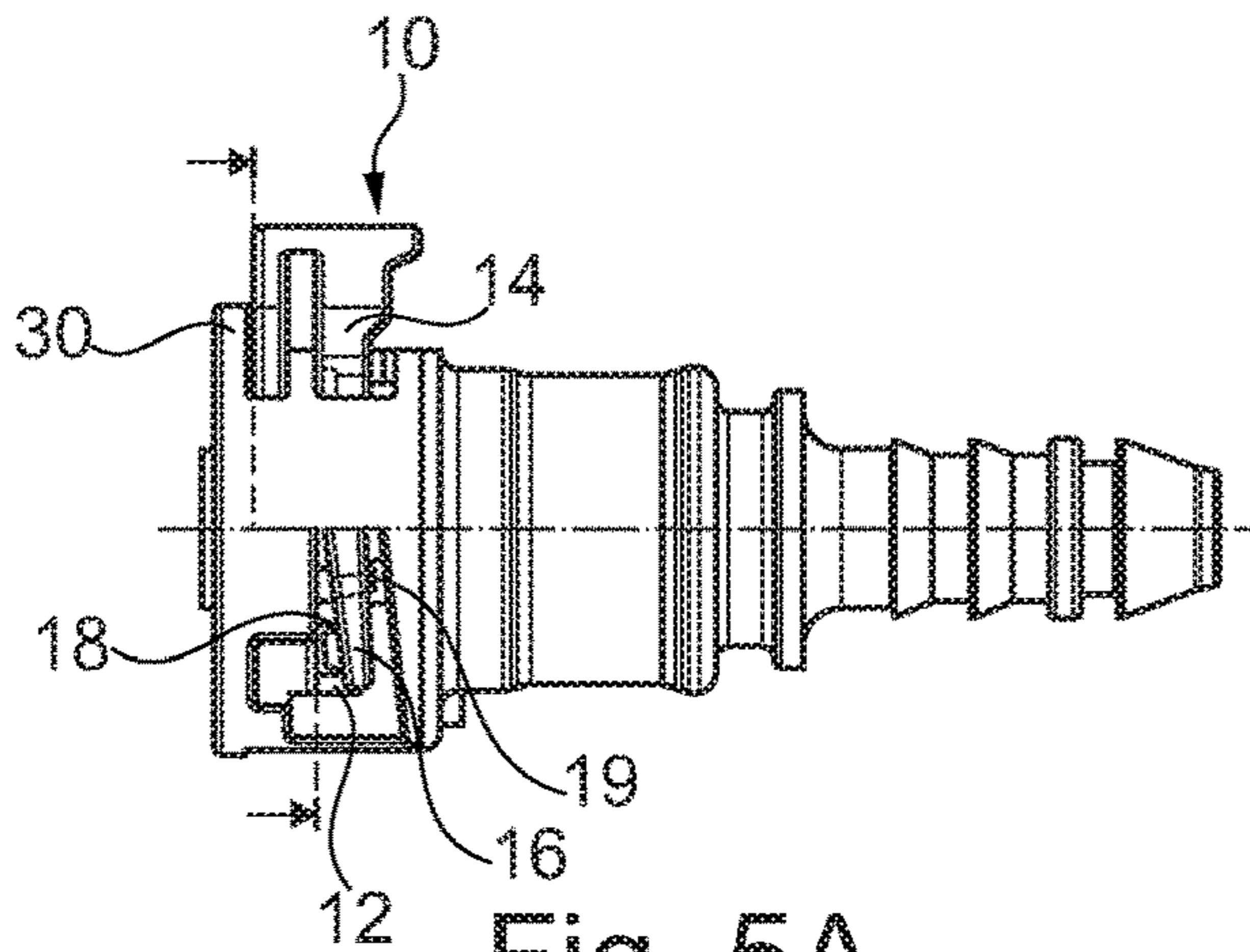


Fig. 5A

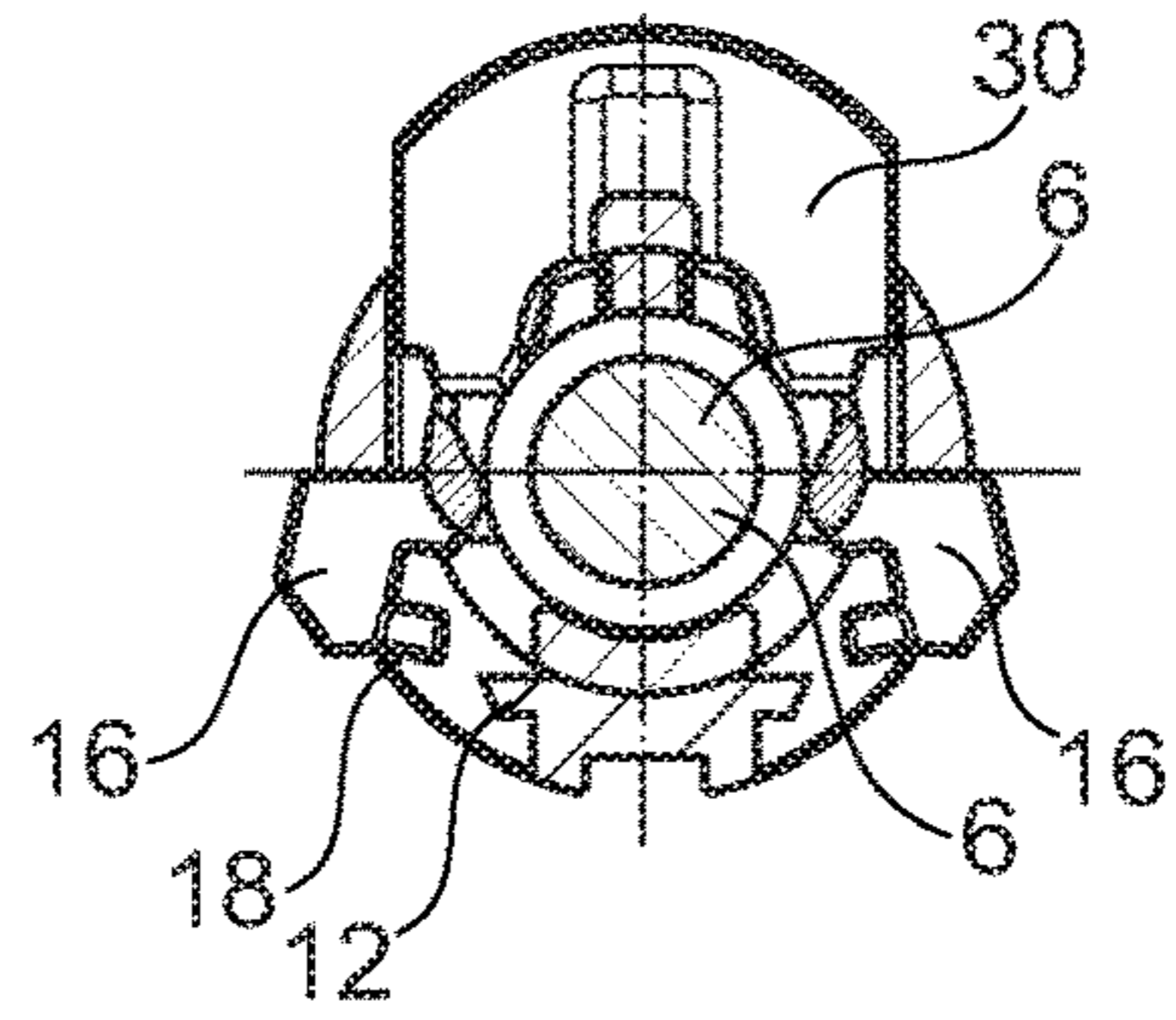


Fig. 5B

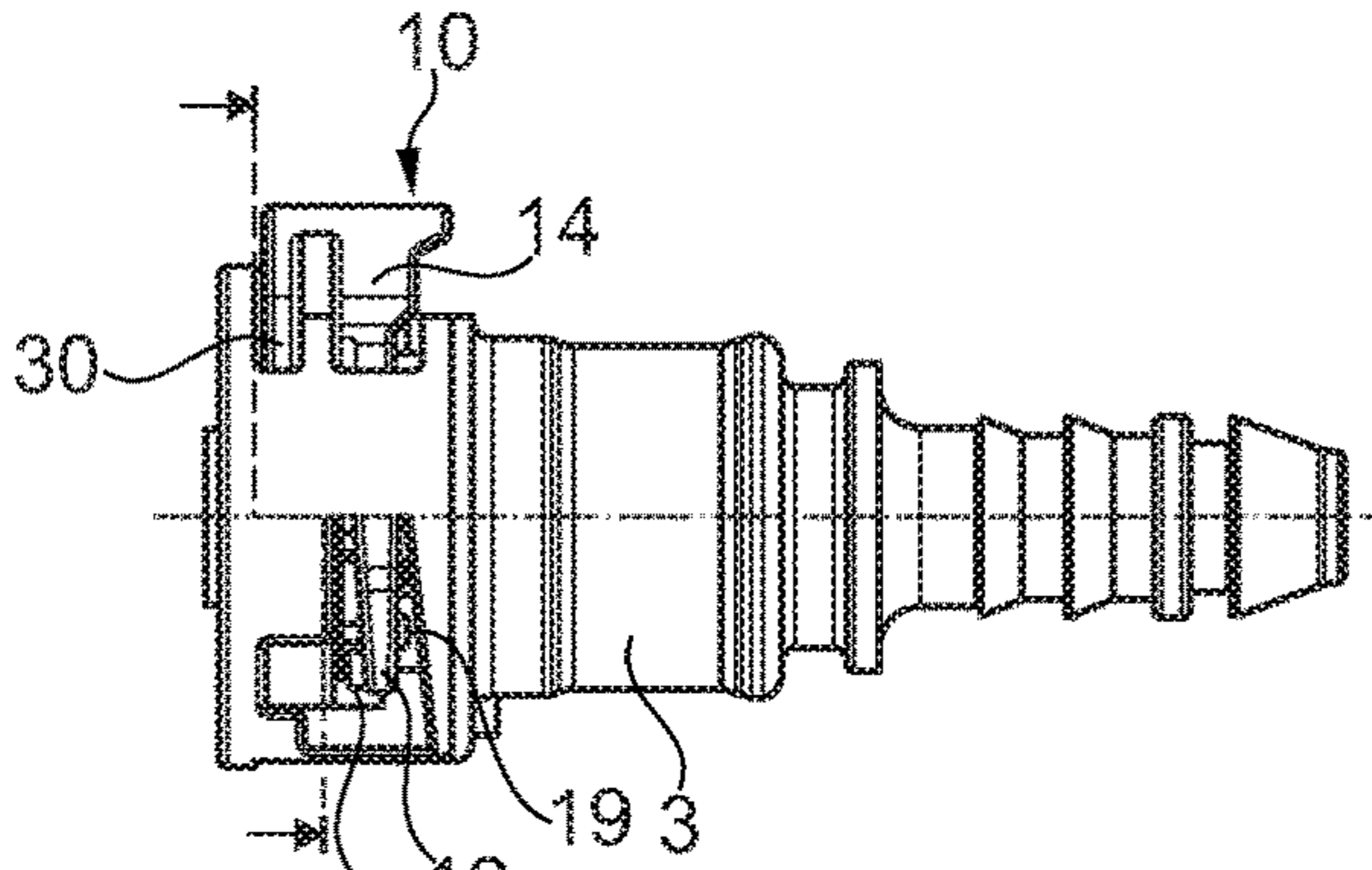


Fig. 6A

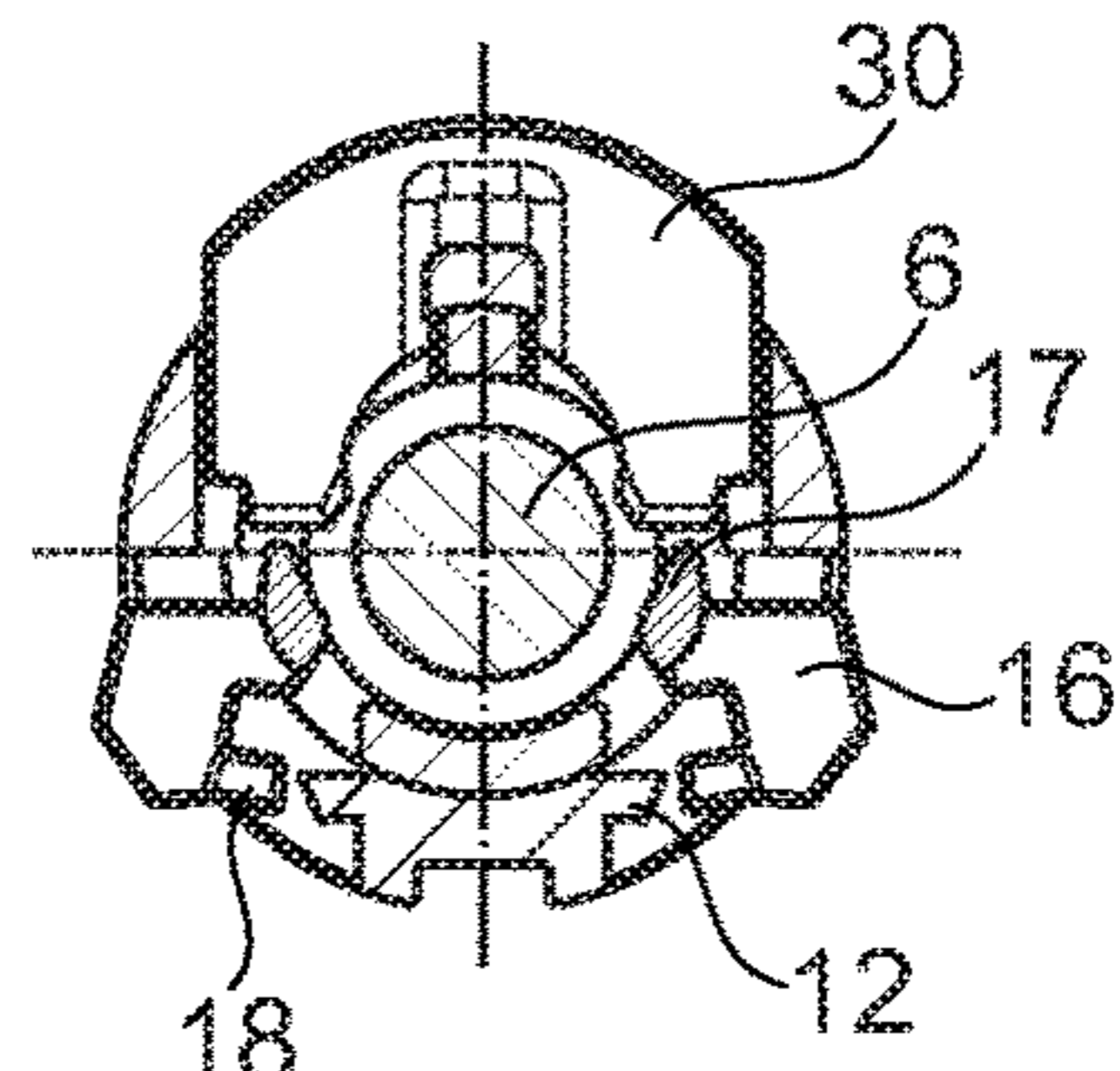


Fig. 6B

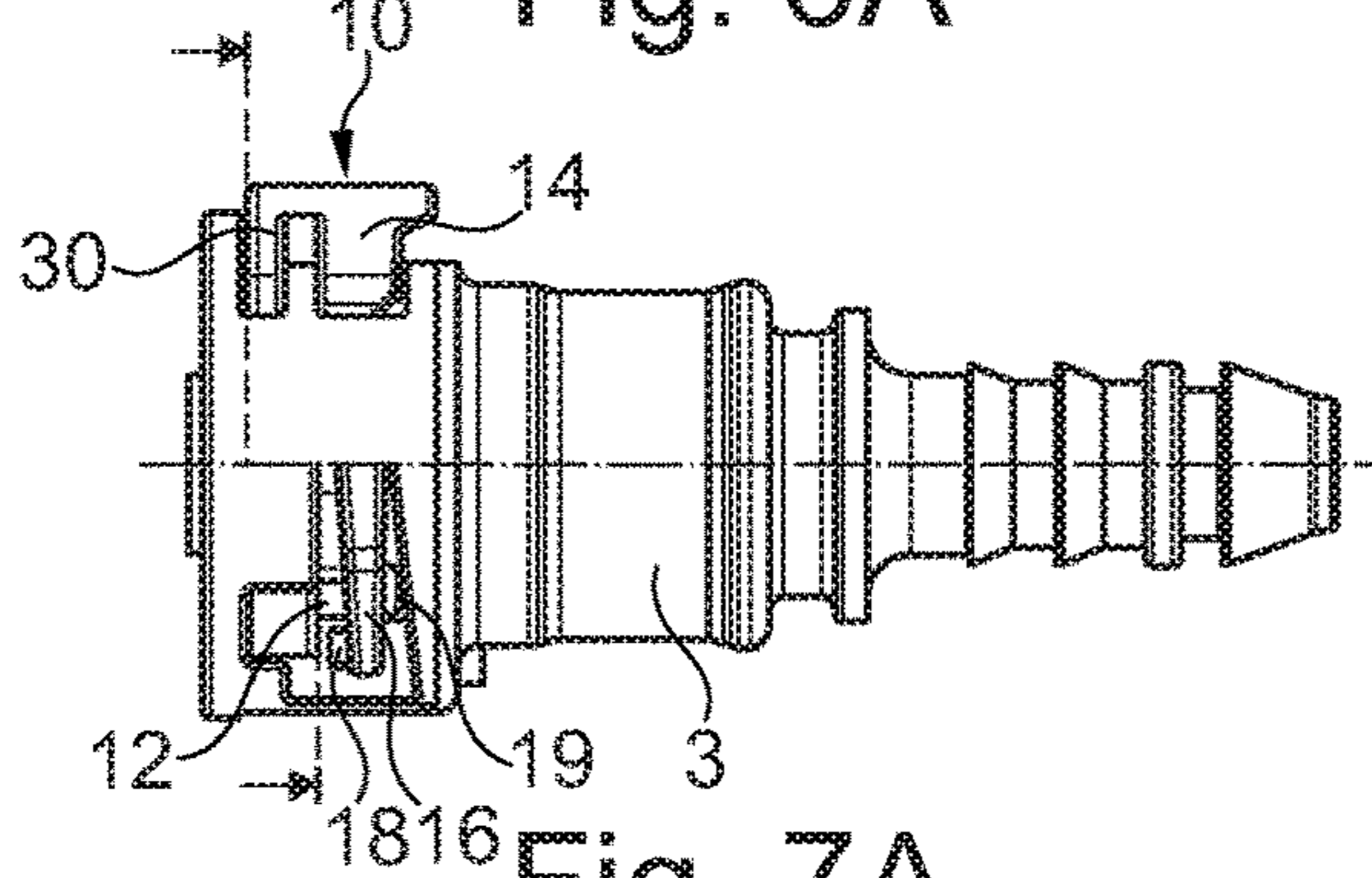


Fig. 7A

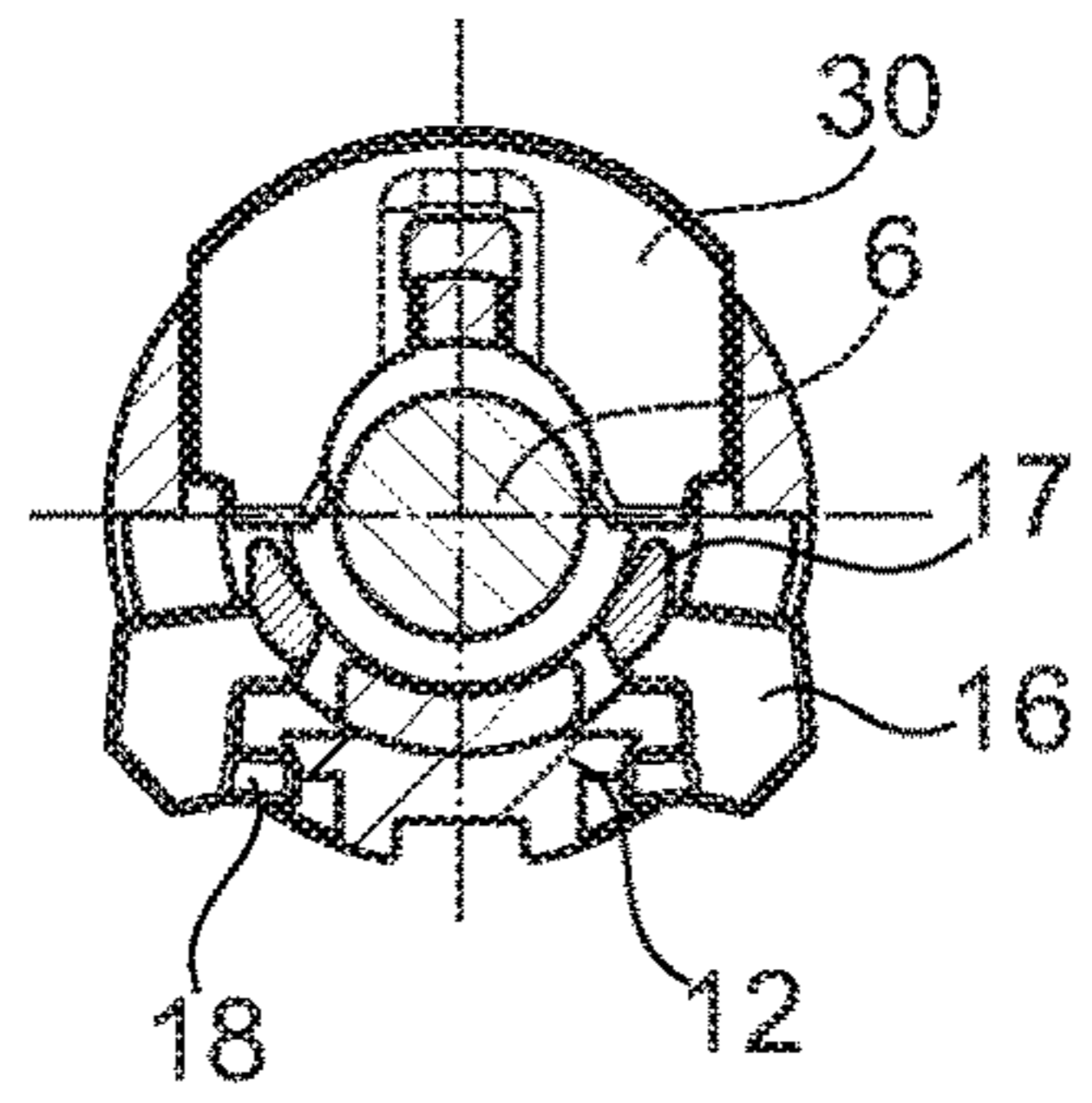


Fig. 7B

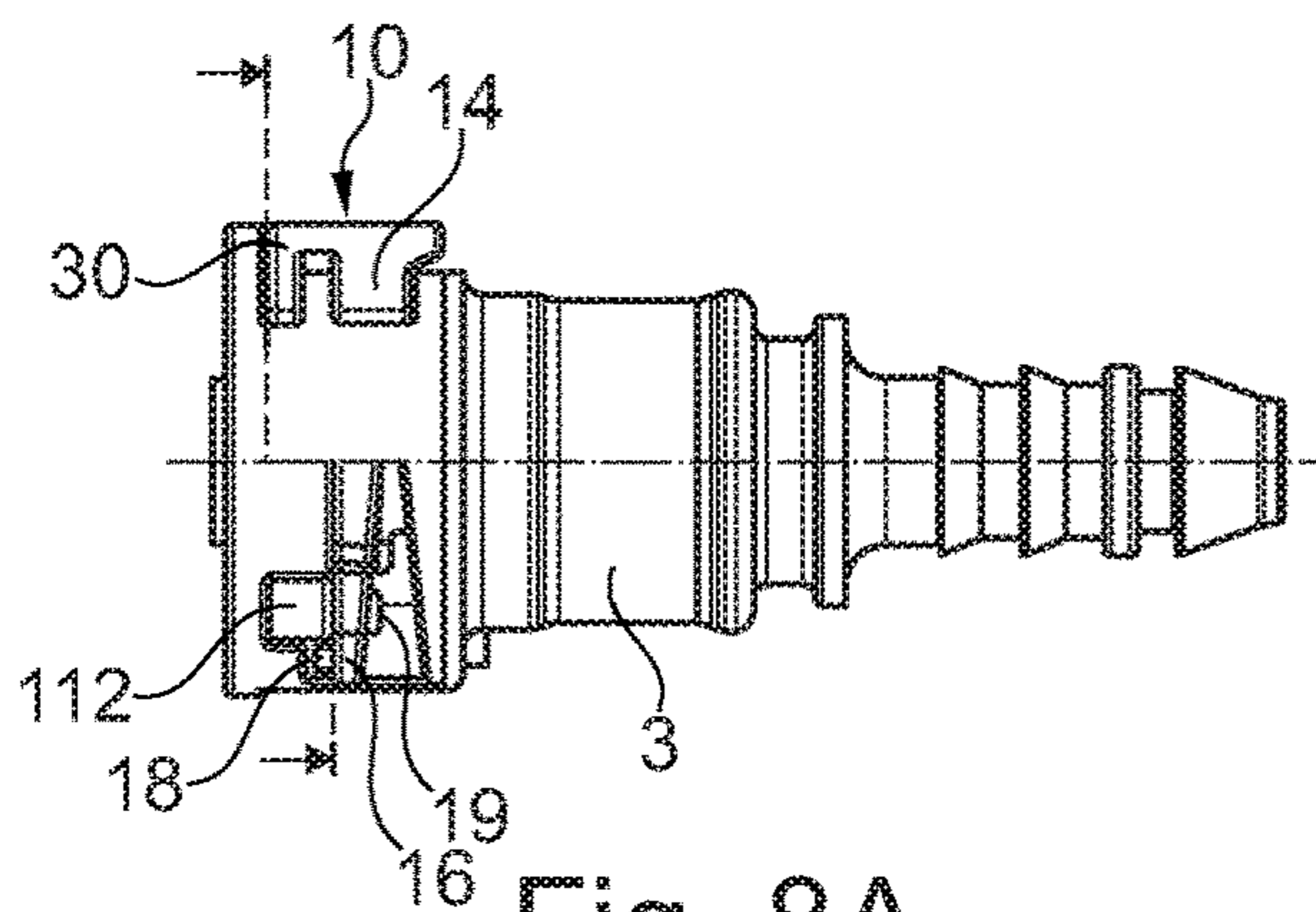


Fig. 8A

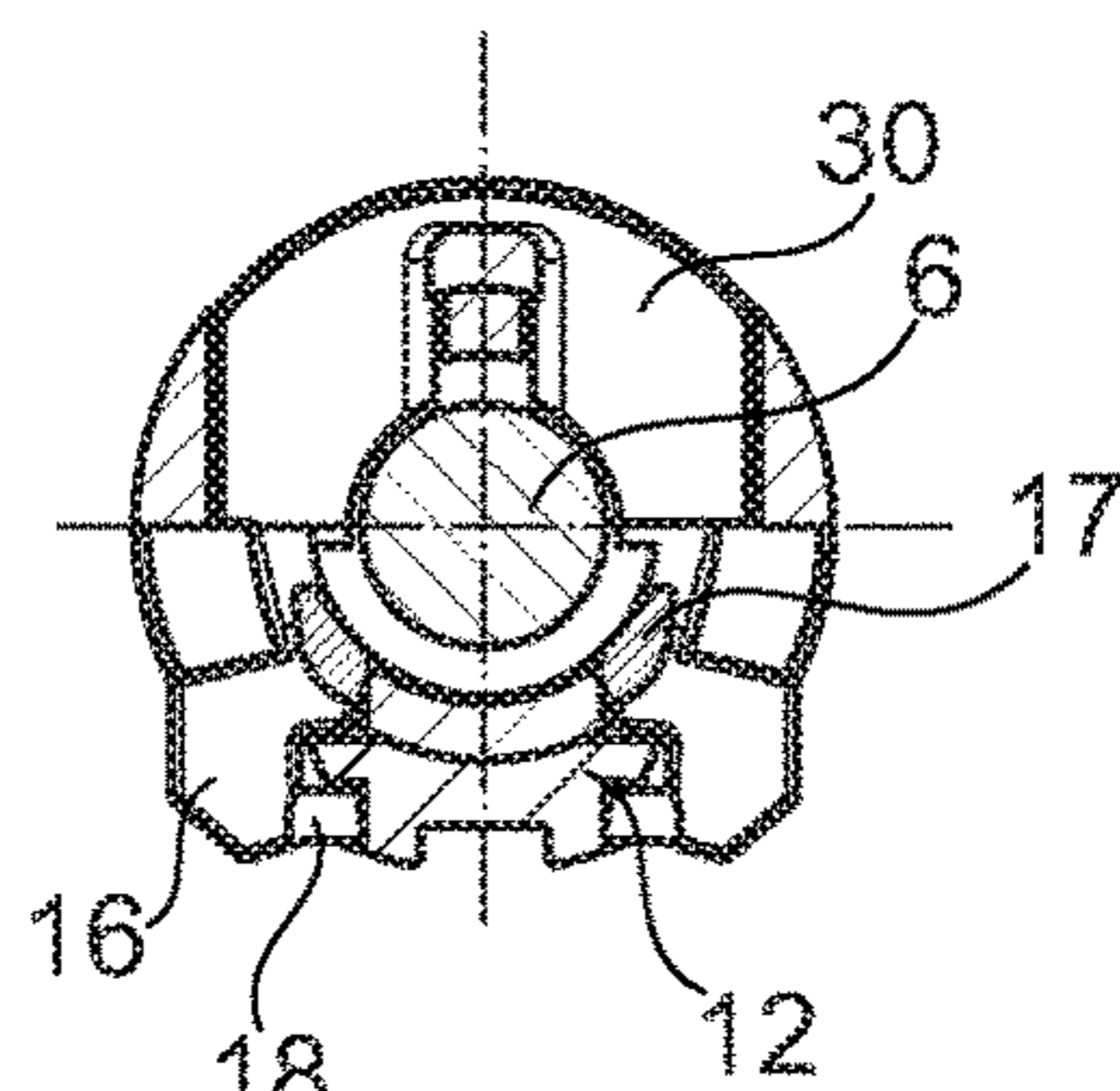


Fig. 8B

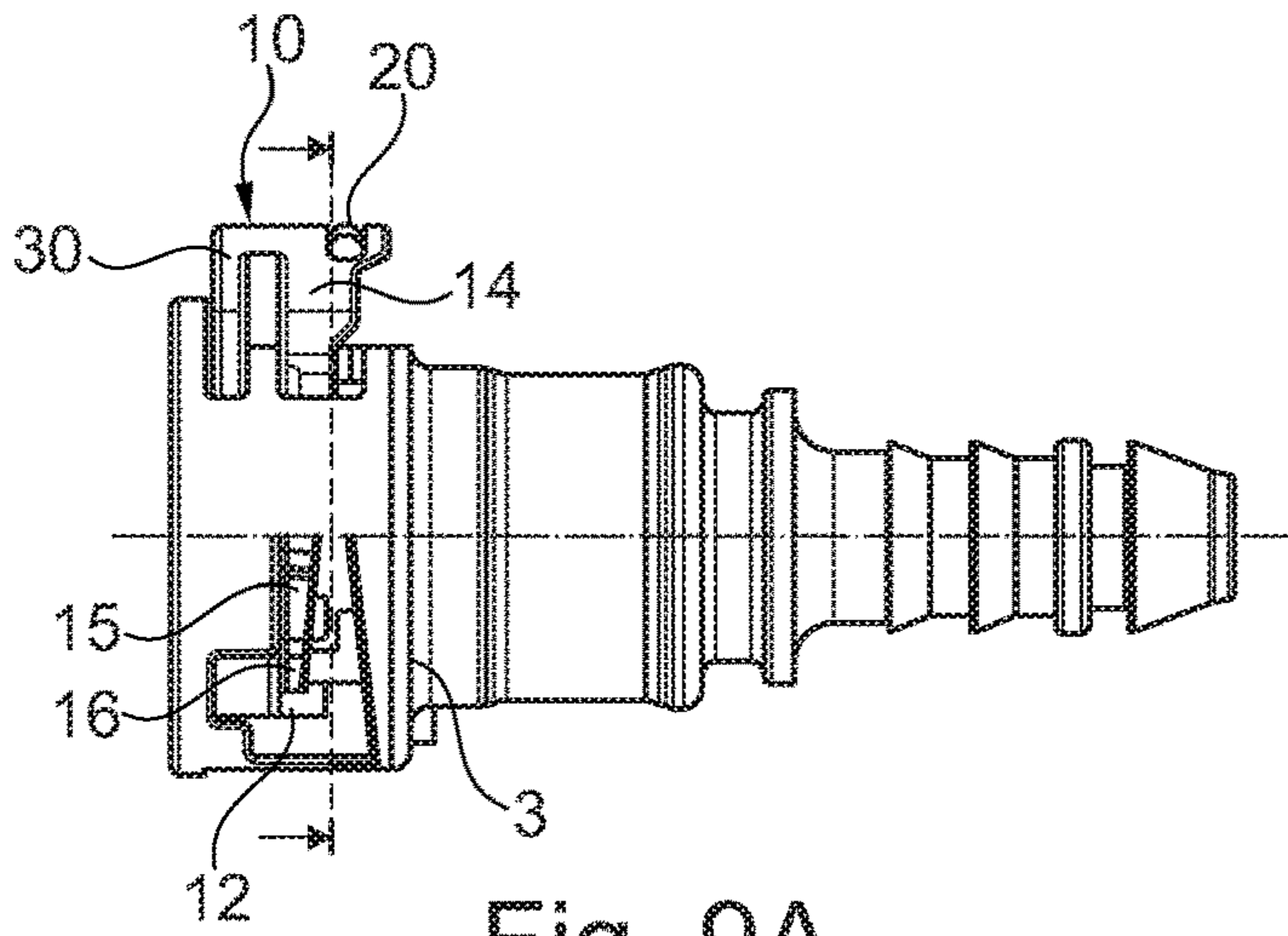


Fig. 9A

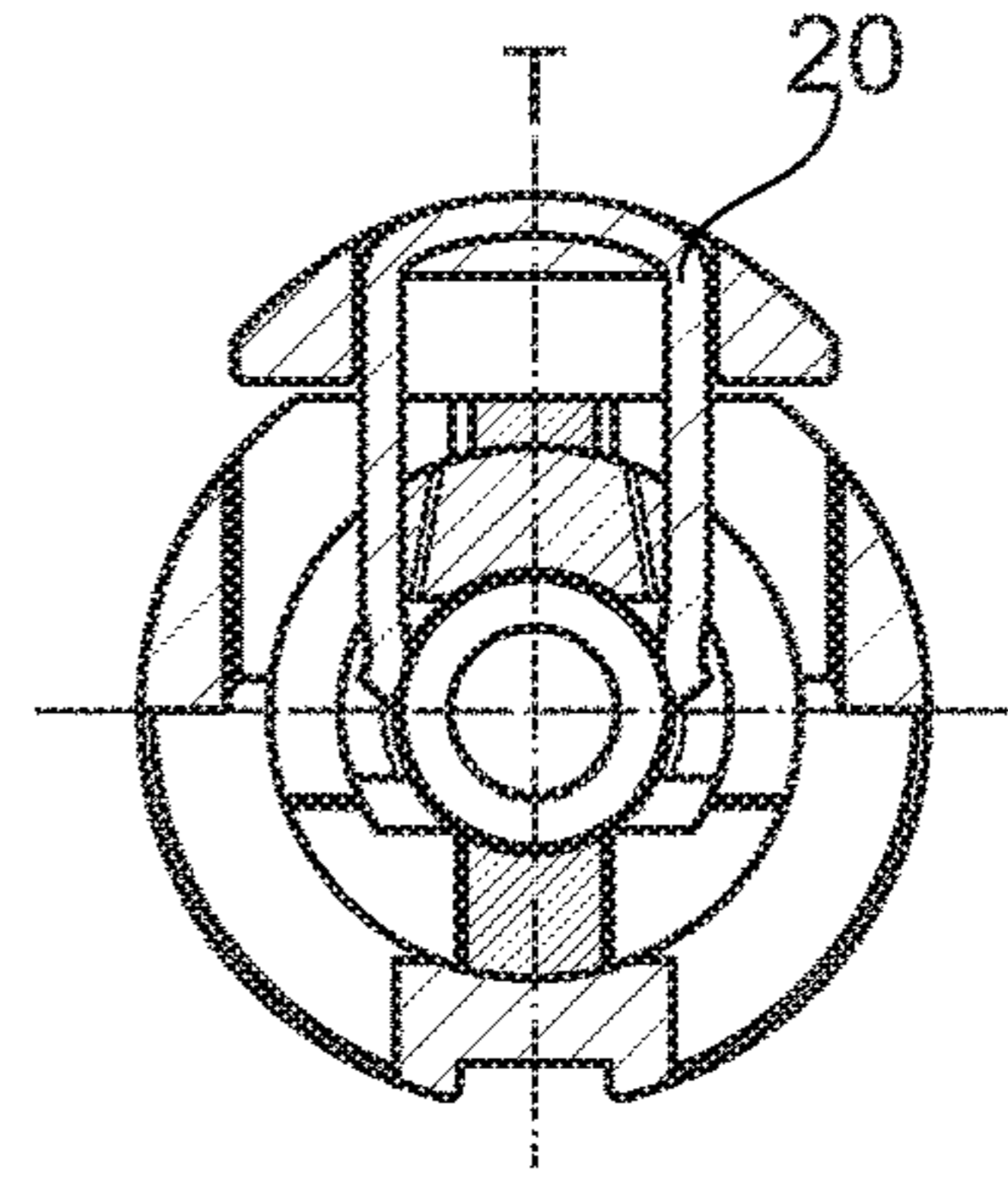


Fig. 9B

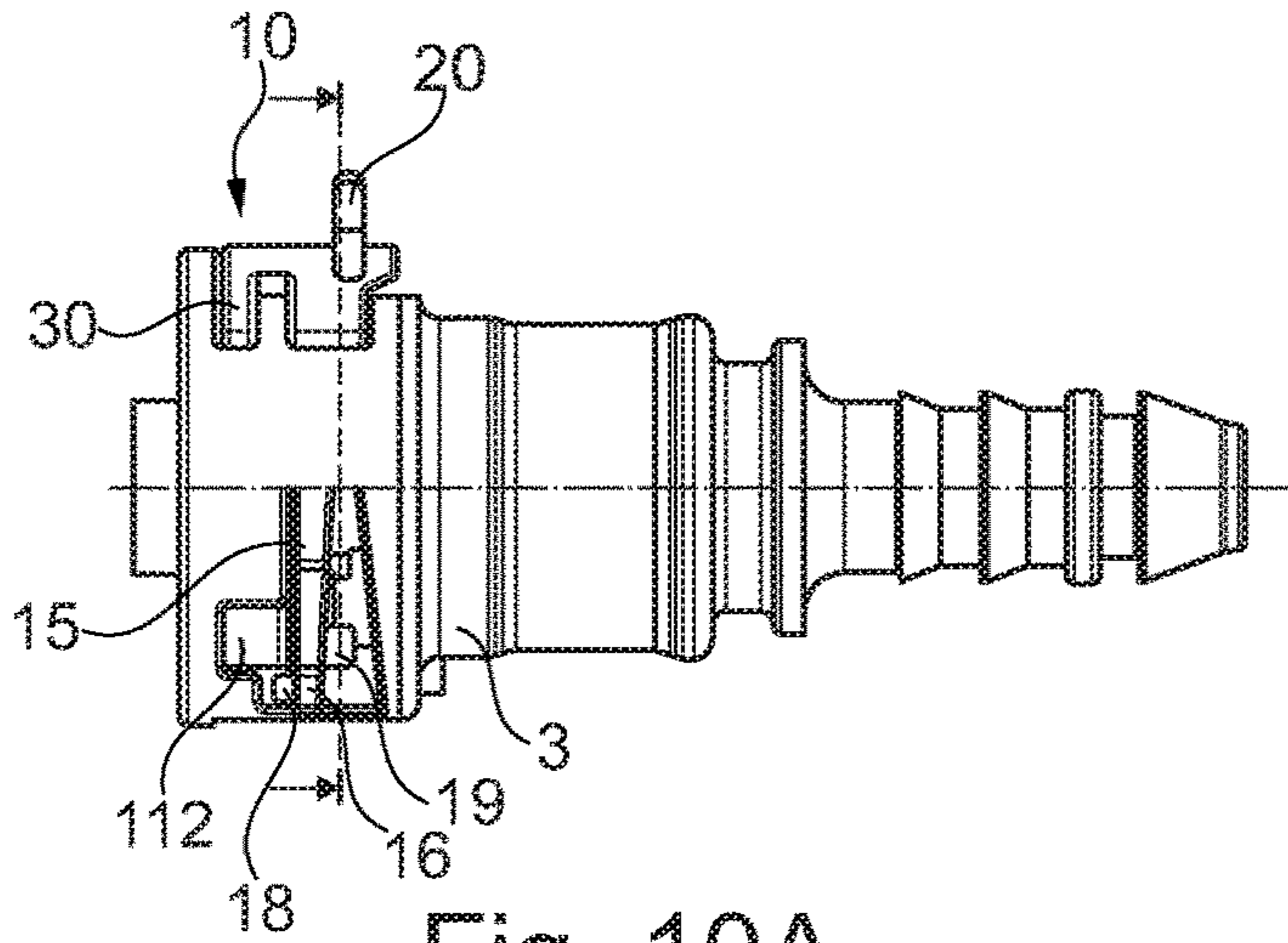


Fig. 10A

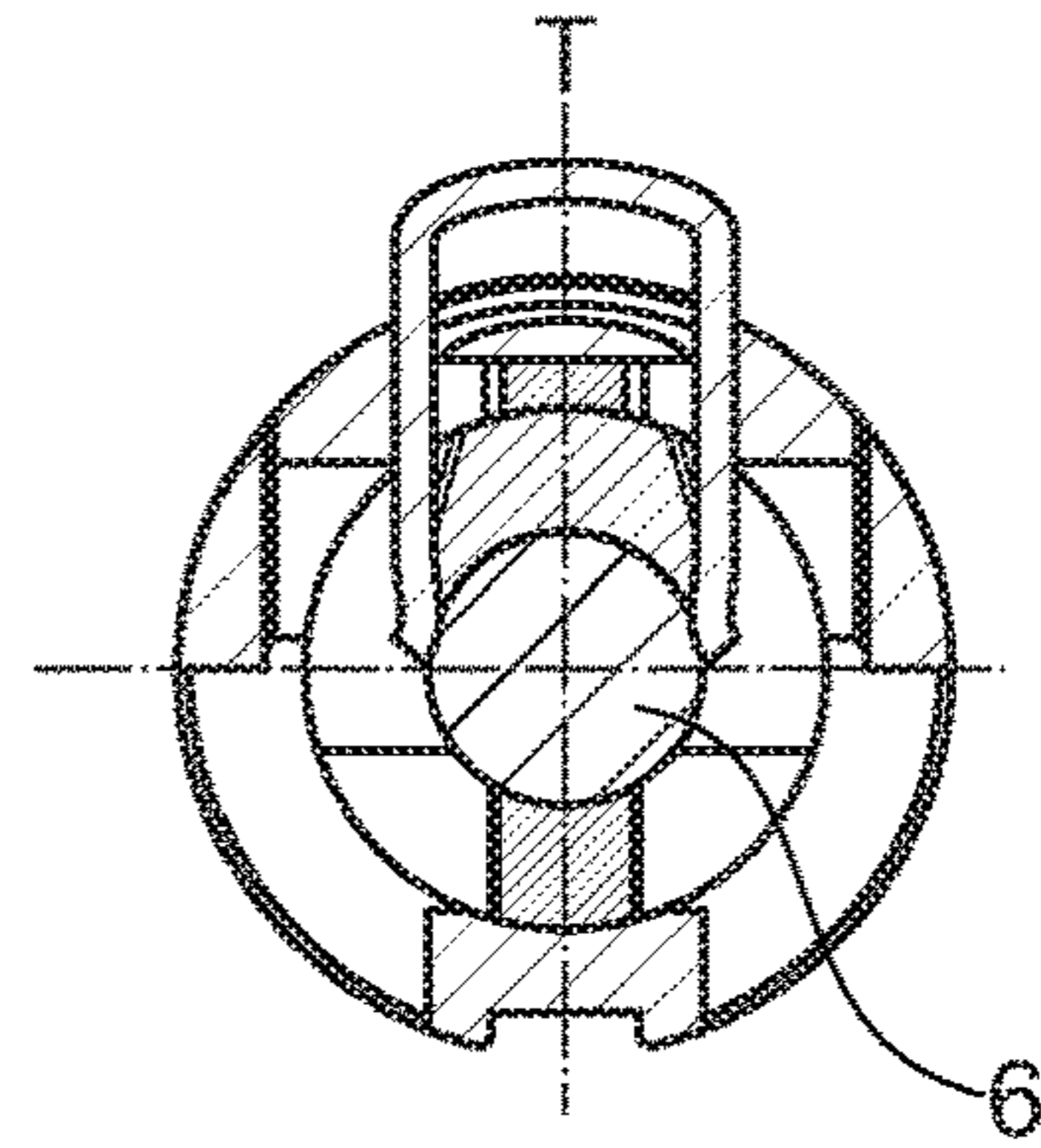


Fig. 10B

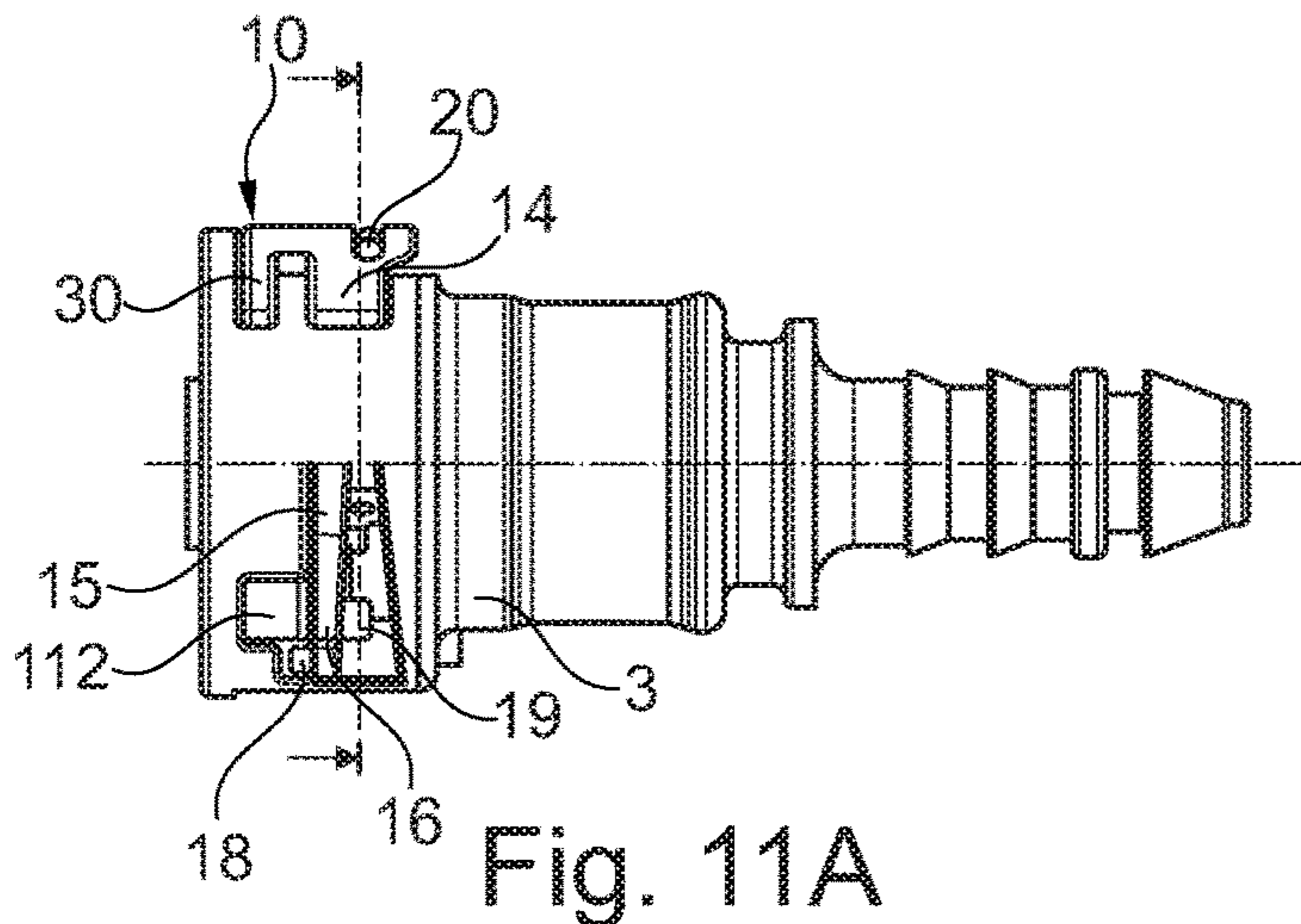


Fig. 11A

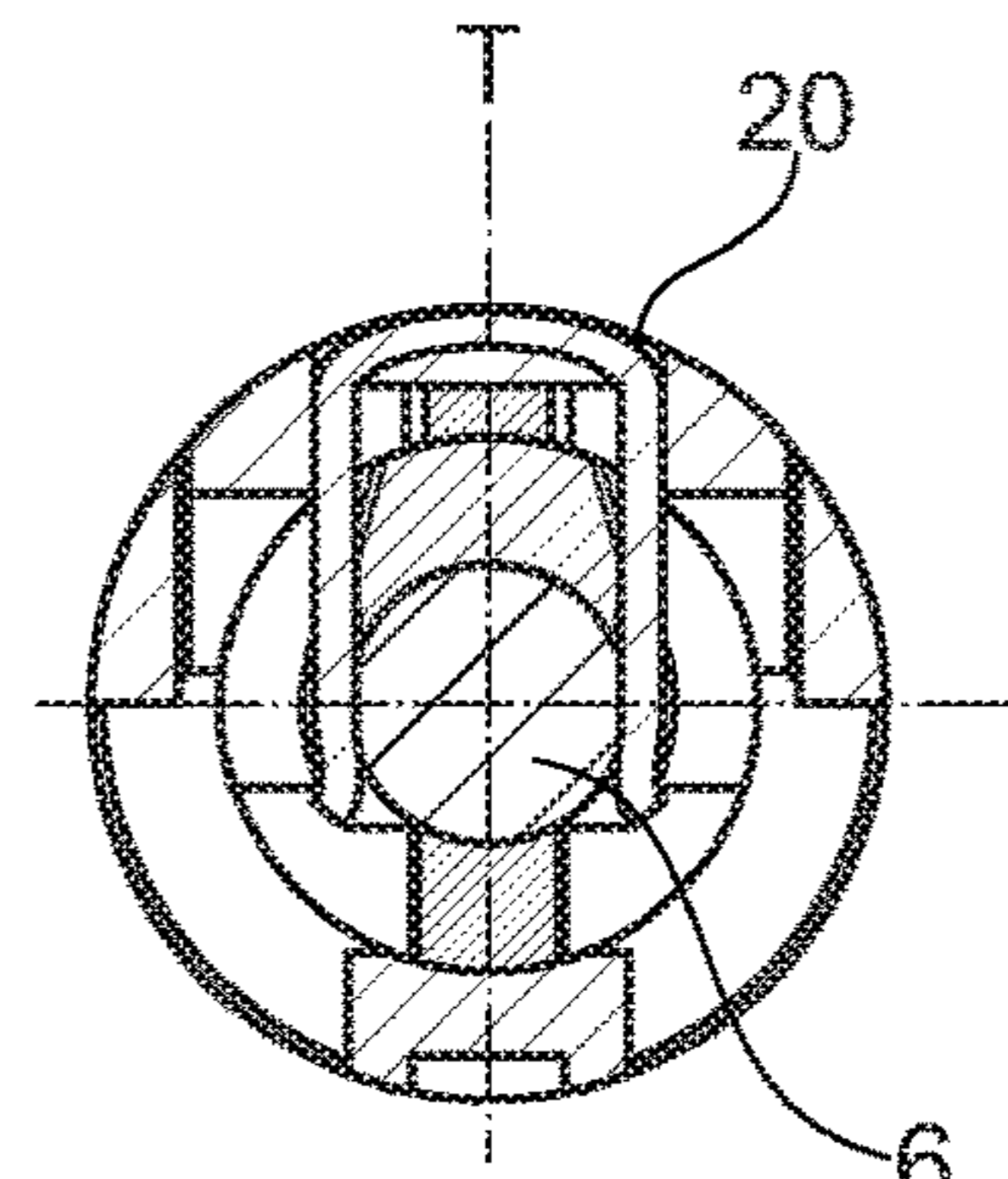


Fig. 11B

SECURE TUBE COUPLING WITH AUTOMATIC CONNECTION

Matter enclosed in heavy brackets [] appears in the original patent but forms no part of this reissue specification; matter printed in italics indicates the additions made by reissue; a claim printed with strikethrough indicates that the claim was canceled, disclaimed, or held invalid by a prior post-patent action or proceeding.

This U.S. utility patent application claims the benefit of French patent application no. 1561186, filed Nov. 20, 2015, which is incorporated herein by reference for all purposes.

BACKGROUND

1. Technical Field

The present invention relates to the field of tube couplings for connecting together fluid pipes or hoses, e.g. fuel hoses for motor vehicles.

2. Related Art

Such a tube coupling for coupling fuel hoses is already known, in particular from patent documents WO 2015/177472 and US 2012/0326435.

In the known tube coupling of US 2012/0326435, the connection element constitutes a retaining element for blocking the male connector in position when it is fully pushed into the female connector, forming a lock that extends transversely in the female connector behind the collar of the male connector in such a manner as to block it axially.

The connection or retaining element comprises two tines that are spaced apart from each other, like a kind of U-shaped fork, which tines extend in a transverse direction inside the female connector, each tine having a front face that interferes with the collar of the male connector.

The connection element is initially positioned in the female connector in a high, pre-assembly position in which the base of the U-shape projects outside the female connector and the two tines of the connection element extend substantially on either side of the male connector in front of its collar (considering that the front of the collar corresponds to the front face of the collar that is furthest downstream along the axis in the direction for inserting the male connector into the female connector).

When the male connector is pushed axially into the female connector, the front face of the collar of the male connector then interferes with front faces of the tines of the connection element, which faces are oblique relative to the axial direction and also relative to the transverse direction. This leads to the tines of the connection element being moved apart radially in elastic manner by reacting to the thrust force exerted axially against said oblique front faces, and leads to transverse movement of the connection element in the female connector by reaction to the thrust force exerted transversely against said oblique front faces. As they move apart radially and elastically, the elastic tines accumulate retraction energy. The maximum spacing of the elastic tines during the transverse movement of the connection element corresponds to the diameter of the collar.

During downward movement of the connection element in the female connector, the tines move apart over the collar until they reach the maximum spacing, i.e. diameter of the collar. Thereafter, once the diameter has gone past and because of the energy accumulated by the elastic spacing,

the tines retract with a thrust force component that extends in the transverse direction, and the transverse movement of the connection element continues briefly towards the inside of the female connector.

This provides a coupling with automatic connection.

In that prior art tube coupling, the connection element also has a stationary frame extending transversely inside the female connector parallel to the tines of the connection element and having an elastic tongue at its base that extends in oblique manner relative to the axis of the female connector.

The tongue is arranged in such a manner that while the male connector is being pushed axially into the female connector, the male connector pushes the tongue so as to move it axially relative to its base. As a result, the elastic tongue is compressed and stores energy, and after the elastic tines of the connection element have gone past the diameter of the collar while the connection element is moving transversely, the tongue is released and produces a thrust force on the connection element that tends to urge it towards the inside of the female connector along the transverse direction.

The connection element is then in its low, retaining position in which it forms a lock preventing axial movement of the male connector in the female connector. In this low position, the connection element appears to be practically retracted into the female connector. The tongue then makes it possible to prolong the pushing of the connection element into the female connector after going past the diameter of the collar of the male connector while it is moving transversely.

That known tube coupling nevertheless presents several drawbacks.

Firstly, it requires a plurality of separate parts that interact with one another in order to retain or block the male connector in the female connector and move the connection element automatically towards the inside of the female connector.

Those various parts need to be mutually coordinated in dynamic and complex manner. They also increase the costs of fabricating the tube coupling. That tube coupling also presents a body with large amounts of perforation, thereby making it less robust.

Thereafter, the stroke of the connection element after it has gone past the collar, depends on the magnitude of the deformation of the tongue, and in practice its stroke is relatively small because the parts are miniaturized.

As a result, the spacing between the high, pre-assembly position and the low position of the connection element is small, and this difference is difficult to perceive, whether visually or by touch.

Furthermore, it is known that in existing tube couplings, when the connection element is in the low position in the female connector, the tines are subjected to mechanical stresses that persist, thereby leading to wear of the element, and in the event of the tube coupling being heated, damage by creep is also possible.

Finally, tube couplings need to be made safer, since it is known that by pulling axially on the male connector while removing the lock, it is possible to disconnect the male connector from the female connector.

SUMMARY

The object of the invention is thus to mitigate the above-mentioned drawbacks.

To this end, the invention provides a tube coupling comprising a female connector having a body defining an orifice into which a male connector having an annular collar

is to be inserted along an axial direction, and a connection element that extends along a transverse direction in a recess in the body of the female connector and that is designed to be deformed elastically radially towards the outside of the female connector by mechanical interference with the collar during the insertion of the male connector into the female connector and, in reaction to the radial elastic deformation, to move of its own accord along the transverse direction towards the inside of the female connector, the connection element comprising at least one locking hook that cooperates with a locking catch provided in the body of the female connector, the hook closing on the catch in a locking position when the connection element is fully pushed into the body of the female connector, the coupling being characterized in that the connection element and said body of the female connector are designed so that, during the mechanical interference, the locking hook is initially projected axially into the body of the female connector before the connection element is deformed radially in such a manner that in reaction to the axial and elastic deformation of the connection element, the hook goes around the locking catch in order to reach the closure position on the locking catch.

The coupling may present the following features:

the connection element is in the form of two forks, with a first U-shaped fork forming a lock for the collar and a second U-shaped fork forming a yoke, the forks being connected together at the bases of the U-shapes, the second U-shaped fork having two branches, each provided with a locking hook having its opening facing radially;

in a partially pushed-in position of the connection element into the body of the female connector, the opening of each hook is located above a locking catch that forms an abutment for the connection element, and in the recess of the body of the female connector each catch is arranged in a clearance zone in which each hook moves axially and goes around the catch;

each hook of the connection element is provided with a retaining finger that prevents the connection element from moving transversely in the clearance zone inside the recess of the female connector;

the front interference face of each branch is formed by an oblique surface that slopes relative to the axial direction and that is arranged below the middle of the axial orifice of the female connector in order to interfere with the collar of the male connector;

each branch of the connection element has a back face opposite from the interference front face, which back face is provided with a peg whereby the connection element bears against the body of the female connector in order to force the branch to twist under the effect of the mechanical interference of the male connector against the connection element;

the connection element, when it is fully pushed into the recess of the female connector, is flush with the outside surface of the body of the female connector, and in this position it masks a visual indicator for verifying proper assembly that is applied to the connection element; and

the coupling further comprises a clip designed to be inserted in the connection element when the connection element is fully inserted in the body of the female connector, the clip serving as an indicator for verifying that the coupling is properly assembled.

The idea is thus to transform effectively the energy that is released by the connection element on retracting elastically both radially and axially into a thrust force that is oriented and controlled in the transverse travel direction of the

connection element towards the inside of the female connector, and to lock the connection element in secure manner to the female connector.

With the arrangement described herein, it is possible for the connection element to have a position difference between a high, pre-assembly position and a low, locking position that is large enough to constitute a reliable indicator that can be inspected visually or by touch in order to discover whether the male connector is fully coupled in the female connector.

Furthermore, the arrangement may be implemented in a female connector body that remains relatively closed (i.e. perforated little) thus making it possible to reduce the effects of contaminants, such as dust, becoming deposited inside the female connector and also increasing the robustness of the body.

Other characteristics, advantages, and details of the present invention appear on reading the following description of an embodiment of the invention given by way of non-limiting illustration, the description being made with reference to the drawings summarized below.

BRIEF DESCRIPTION OF THE DRAWINGS

The present invention can be better understood and other advantages appear on reading the following description and the accompanying drawings, in which:

FIGS. 1 and 2 are two diagrammatic exploded views of the tube coupling comprising a female connector, a ring internal to the female connector, a connection element, and also showing a male connector in FIG. 1;

FIGS. 3A and 3B are respectively a profile view and an end view in two different cross-sections showing the tube coupling in a pre-assembly position;

FIGS. 4A and 4B are respectively a profile view and an end view in cross-section of the tube coupling in a first state of mechanical interference with the male connector, and FIG. 4C is an enlargement of a portion of FIG. 4A;

FIGS. 5A and 5B are respectively a profile view and an end view in two different cross-section planes of the tube coupling in a second mechanical interference state with the male connector;

FIGS. 6A and 6B are respectively a profile view and an end view in two cross-section planes showing the tube coupling in a first intermediate state while lowering the connection element into the female connector;

FIGS. 7A and 7B are respectively a profile view and an end view in two cross-section planes showing the tube coupling in a second intermediate state while lowering the connection element into the female connector;

FIGS. 8A and 8B are respectively a profile view and an end view in two cross-section planes showing the connected tube coupling;

FIGS. 9A and 9B are respectively a profile view and an end view in cross-section of the tube coupling in a pre-assembly position in a particular embodiment having a clip as an indicator of proper assembly;

FIGS. 10A and 10B are respectively a profile view and an end view in cross-section view of the connected tube coupling showing the clip in a high position in a particular embodiment; and

FIGS. 11A and 11B are respectively a profile view and an end view in cross-section of the connected tube coupling in a low position in a particular embodiment.

DETAILED DESCRIPTION OF EXAMPLE EMBODIMENTS

FIGS. 1 and 2 are exploded views of the various portions making up the tube coupling 1. The tube coupling 1 com-

5

prises a female tubular connection endpiece (female connector) **2** made up of two portions in this example, comprising a main body **3** of tubular shape that extends along an axial direction *A* and that is provided with an axial opening **4**, and a ring **5** that is axially engageable in the opening **4** of the main body **3**.

It should be understood that a female endpiece made integrally as a single part is also possible.

In the tube coupling **1**, a male tubular connection endpiece (male connector) **6** is designed to be inserted axially in the female connector **2**, specifically in the ring **5** in this example.

The male connector **6** is in the form of an elongate cylindrical tube and it presents an annular collar on its circular periphery, with the diameter of the annular collar **7** being slightly smaller than the inside diameter of the ring **5**.

As can also be seen in FIG. 1, the body **3** of the female connector **2** presents a shaped inside recess **8** showing a radial opening in its top that forms a kind of slideway into which a connection element **10** can be inserted transversely and slide. In its portion situated below the middle of the axial opening **4**, the inside recess **8** presents two clearance zones **11** arranged symmetrically in the form of radial slots provided in the annular peripheral surface of the female connector **2**. These radial slots enable branches (described below) of the connection element **10** to splay apart radially inside the body of the female connector **2**.

As can be seen in FIG. 2, in the bottom portion **3** of the female connector **2**, the clearance zone **11** presents an axially-arranged locking catch **12** and an empty space **13** adjacent to the catch **12**. Another catch **12** with an empty space **13** that are not visible in the figure are arranged in another clearance zone that is symmetrical to the clearance zone **11** that can be seen in FIG. 2.

The locking catch **12** may be rectangular in shape, however it may also be an oblique surface as shown that slopes relative to the transverse direction in which the connection element **10** is inserted and that acts as a ramp for the sliding of the connection element **10**.

On its outer circumference, the body **3** of the female connector **2** has a shoulder **112** adjacent to each catch **12** and forming a stop for the connection element **10**. In this example, the connection element **10** is in the form of two forks, a first fork of upside-down U-shape forming a lock **30**, and a second fork of upside-down U-shape forming a yoke **14**. The two forks are connected together via the bases of the U-shape.

The first fork forming the lock **30** is designed to be placed behind the collar **7** of the male connector **6** so as to hold it and block it in the axial direction when the male connector **6** is fully pushed into the inside of the female connector **2**. The lock **30** has two branches spaced apart from each other and extending in the transverse insertion direction. The branches of the lock **30** are shaped so as to present a radius of curvature corresponding to the diameter of the cylindrical tube of the male connector **6**. Each of the ends of the branches of the lock **30** presents a chamfer **31** extending axially and sloping towards the outside of the lock **30**. The end of each branch of the lock **30** in the vicinity of the chamfer **31** does not go beyond the middle of the axial opening **4** in the female connector **2**.

The second fork presents two flexible branches **15** that are spaced apart from each other and that extend in the transverse insertion direction. The two branches **15** are shaped to form kinds of beams that slide in the slots of the slideway defined by the radial recess **8**. Each flexible branch **15** presents a C-shaped locking hook **16** at its free end, with the open side of the C-shape facing radially towards the inside

6

of the orifice in the body **3** of the female connector **2**. These two C-shapes face each other. More particularly, the end of each branch **15** is constituted by the base of the C-shape of the hook **16**.

Each flexible branch **15** of the connection element **10** presents a front face that faces the collar **7** of the male connector **6** when it is engaged in the female connector **2**, and referred to as the front face for interference with the collar **7**.

In its portion situated beneath the middle of the axial opening **4** in the female connector **2**, the front face of each branch **15** includes an oblique surface or feeler **17** that slopes relative to the axial insertion direction of the male connector **6**, that faces towards the inside of the orifice **4** of the female connector **2**, and that when the connection element **10** is in a high, pre-assembly position inside the female connector **2** serves to interfere with the front face of the collar **7** of the male connector **6** when it is pushed into the female connector **2**.

Beside its front face, each of the hooks presents a retaining finger **18** or lug on the base of its C-shape that projects axially from the front face for a function that is explained below. The total thickness of the hook **16** and of the retaining finger **18** in the axial direction *A* is greater than the empty space **13** adjacent to the catch **12**.

In a particular embodiment, a peg **19** projects axially from the back face of each flexible branch **15** of the connection element **10** from the middle portion of the C-shape of the hook **16**, as can be seen in FIG. 2. The function of the pegs **19** is explained below.

As explained below, the flexible branches **15** of the connection element **10** are arranged so that the connection element **10** moves of its own accord towards the inside of the female connector **2** in the transverse direction *T* as a result of a thrust force that is produced by reaction to elastic deformation of the flexible branches **15** acting axially and then radially, as occurs when pushing the male connector **6** into the female connector **2**.

In FIGS. 3A and 3B, the connection element **10** is in a high, pre-assembly position in the female connector **2**. In the high, pre-assembly position of the connection element **10**, the top of the connection element **10** projects from the top outside surface of the female connector **2** sufficiently, e.g. by about 3 millimeters (mm) to 4 mm, to enable an operator to distinguish reliably by visual or tactile inspection between the high, pre-assembly position of the connection element **10** and a low, locking position of the connection element **10** in the female connector **2**.

In this high, pre-assembly position, the flexible branches **15** are in a rest position, with the opening in each hook **16** of the connection element **10** being located above the corresponding locking catch **12** in the body **3** of the female connector **2**, which catches constitute an abutment for the connection element **10**. Thus, the connection element **10** cannot be inserted transversely by accident.

The sequence of movements made by the connection element **10** of its own accord in the female connector **2** is described below with reference to FIGS. 4 to 8.

In FIGS. 4A, 4B, and 4C, the male connector **6** is partially inserted into the female connector **2**.

The top periphery of the collar **7** of the male connector comes into contact with the branches of the lock **30** of the connection element **10** via the chamfers **31**. By pushing the male connector **6** axially into the orifice of the female connector **2**, the collar **7** exerts mechanical interference with pressure in the axial direction against the feelers **17** of the flexible branches **15** of the connection element **10**. This axial

thrust causes the flexible branches 15 to move axially but does not cause the branches 15 to move apart radially because the retaining fingers 18 on the front faces of the hooks 16 are still in abutment against the locking catches 12 of the body 3 of the female connector 2 and they prevent the connection element 10 from passing transversely into the clearance zones 11 inside the recess 8 of the female connector 2.

The maximum axial movement of the branches 15 is obtained when the back faces of the flexible branches 15 are axially in abutment against the inside of the body 3 of the female connector 2. In a particular embodiment in which bearing pegs 19 are arranged on the back faces of the branches 15, the maximum axial movement is obtained when the pegs 19 come into abutment against the inside of the body 3 of the female connector 2, as can be seen in the enlargement of FIG. 4C. In this particular configuration, the branches 15 tend to twist under the effect of the mechanical interference of the male connector 6 against the connection element 10.

As can be seen in FIGS. 5A and 5B, the male connector 6 is pushed in a little more into the female connector 2. The collar 7 continues to exert axial pressure against the feelers 17, but the branches 15 are in abutment against the body 3 of the female connector 2 so they now move apart radially and reach a maximum distance apart as can be seen in FIG. 5B. In this spaced-apart configuration of the flexible branches 15, it can be clearly be seen in FIG. 5B that the hooks 16 lie beyond the locking catches 12, and during downward transverse movement of the connection element 10 into the female connector 2, the hooks 16 go round the locking catches 12 in the clearance zone 11 of the female connector 2 (in a manner described below).

By pushing the male connector 6 further into the female connector 2, the collar 7 loses contact with the feelers 17 of the connection element 10, with the branches 15 retracting by sliding diametrically over the rear face of the collar 7. The collar 7 becomes blocked behind the branches of the lock 30 and it is held between the retracted flexible branches 15.

When the flexible branches 15 retract elastically, they move radially towards each other, while also retracting axially in the direction opposite to the direction for inserting the connection element 10, so as to return to their initial rest position. These two retraction movements generate a thrust force on the connection element 10 so that the connection element 10 moves transversely of its own accord in the recess 8 towards the inside of the female connector 2, as shown in FIGS. 6 and 7, until it reaches a low, retention and locking position in the female connector 2. In order to go round the catches 12 as mentioned above, it must be understood that the hooks 16 perform a first movement by axial projection and are then subjected to being spaced apart radially. When the male connector 6 is fully pushed into the female connector 2, the hooks 16 return to a rest position in an axial direction, such that the hooks 16 become engaged radially against the sides of the catches 12 and they become held by moving radially under the catches 12, with the retaining fingers 18 being received under the shoulders 112.

The low position of the connection element 10 is shown in FIGS. 8A and 8B. In this low position, it can be seen that the catches 12 are received in the C-shape of the hooks 16. In this position, the connection element 10 can no longer move upwards transversely in the body 3 of the female connector 2. The male connector 6 is blocked axially in the female connector 2. As a result of this arrangement, the tube coupling 1 is completely safe.

Furthermore, in this low, retaining position, the top of the connection element 10 (i.e. the bases of the U-shapes of the two forks) lie flush with the outside surface (the top surface in the drawing) of the female connector 2.

It can be understood that the mechanism for moving the connection element 10 transversely is totally internal within the female connector 2, thereby enabling the overall size of the tube coupling 1 to be reduced.

It is also possible to provide a visual indicator in the tube coupling 1 in order to verify that the male connector 6 has been pushed fully into the female connector 2, with this being provided in the form of a mark on the connection element 10 that becomes covered and thus masked when it is inserted in the female connector 2.

The connection element 10 in the automatically-connecting safe tube coupling 1 can be adapted to male connectors 6 having different shapes or different diameters, and also to collars 7 having different radii.

The tube coupling 1 has few separate parts and they can all be made out of plastics material, e.g. by injection molding or by 3D printing.

In a variant embodiment, as shown in FIGS. 9A to 11A, provision may be made in the tube coupling 1 for a clip 20 that acts as an indicator showing two stages of assembling the coupling. In FIGS. 9A and 9B, the connection element 10 is in its high, pre-assembly position. When the male connector 6 is properly inserted in the female connector 2, the clip 20 projects from the coupling, i.e. it is in a high position, as can be seen in FIGS. 10A and 10B, thus making it possible for an operator to perform first visual and/or tactile verification that the coupling is properly assembled.

Thereafter, a second verification is performed by a second operator who in turn observes that the clip 20 is in a projecting position and who pushes it manually into the coupling so that it is no longer in a projecting position, i.e. so that it is in a low position, as can be seen in FIGS. 11A and 11B.

This two-stage verification makes it possible to observe that the coupling is properly assembled and thereby limits assembly errors on an assembly line.

In this example, the clip 20 is in the form of a fork made up of two substantially flexible and parallel tines, as can be seen in FIGS. 9A to 11B.

The tines of the clip 20 are designed to be inserted in respective grooves of the connection element 10 provided for this purpose in the transverse direction T shown in FIG. 9B and prior to inserting the male connector 6.

Once the flexible tines of the clip 20 have been inserted, they exert a pressure force on the inside profile of the female connector 2 presenting unintentional withdrawal of the clip 20.

It can also be understood that while inserting the male connector 6 into the female connector 2, the connection element 10 moves transversely towards the inside of the female connector 2 in order to lock the male connector 6, while the clip 20 remains in the high position, projecting from the coupling. Once the male connector 6 is correctly inserted, the ends of the tines of the clip 20 are positioned on the male connector 6 and prevent the clip 20 from moving down into its low position without additional thrust force being exerted.

It should be observed that the mechanism for lowering the connection element 10 does not interact with the mechanism for lowering the clip 20, since the clip 20 is arranged to be pushed into its low position manually by an operator.

The invention claimed is:

1. A tube coupling *that is adapted to be connected to a male connector, the tube coupling comprising:*

a female connector having a body defining an orifice, and
 [a male connector having an annular collar which is
 designed to be inserted into the orifice of the female
 connector along an axial direction, and]

a connection element that, when inserted into said body of
 said female connector, extends along a transverse direc-
 tion in a recess in said body of said female connector
 and that is deformed elastically radially towards an
 outside of said female connector by mechanical inter-
 ference with [said] *an annular collar of a male con-
 nector during [said] an insertion of [said] the male
 connector into said female connector and, in reaction to
 said radial elastic deformation, springs back along said
 transverse direction towards the inside of said female
 connector, said connection element comprising at least
 one locking hook, the at least one locking hook closing
 on at least one locking catch provided in said body of
 said female connector in a locking position when said
 connection element is fully inserted into said body of
 said female connector,*

wherein said connection element and said body of said
 female connector have a first position wherein said at
 least one locking hook is above said at least one locking
 catch in said transverse direction and initially projected
 axially into said body of said female connector, an
 intermediate position wherein said connection element
 is axially, radially and elastically deformed and said at
 least one locking hook is, in the transverse direction, at
 a same level as said at least one locking catch, and a
 closure position wherein a part of said at least one
 locking hook is placed below said at least one locking
 catch in the transverse direction so as to prevent an
 upwards displacement of said at least one locking hook
 in said transverse direction,

wherein the tube coupling is arranged so that said con-
 nection element and said body of said female connector
 achieve said first position before said intermediate
 position, and said connection element and said body of
 said female connector achieve said intermediate posi-
 tion before said closure position when [said] *the male
 connector is inserted into said female connector,*

wherein said connection element is in the form of two
 forks, with a first U-shaped fork forming a lock for said
 collar and a second U-shaped fork forming a yoke, said
 forks being connected together at bases of the
 U-shapes, said second U-shaped fork having two
 branches, each branch provided with one of said at
 least one locking hook extending in the transverse
 direction and with an opening facing radially towards
 an inside of the orifice in the body of the female
 connector, wherein a front interference face of each
 branch is formed by an oblique surface that slopes
 relative to said axial direction and that is arranged
 below a middle of said axial orifice of said female
 connector in order to interfere with the annular collar
 of the male connector.

[2. A coupling according to claim 1, wherein said con-
 nection element is in the form of two forks, with a first
 U-shaped fork forming a lock for said collar and a second
 U-shaped fork forming a yoke, said forks being connected
 together at bases of the U-shapes, said second U-shaped
 fork having two branches, each branch provided with one of
 said at least one locking hook extending in the transverse direc-

tion and with an opening facing radially towards an inside of
 the orifice in the body of the female connector.]

3. A coupling according to claim [2] 1, wherein before
 said connection element and said body of said female
 connector achieve said intermediate position, said opening
 of each of said at least one locking hook is located above a
 respective locking catch of said at least one locking catch,
 and in said closure position, each of said at least one locking
 catch forms an abutment for each of said at least one locking
 hook, and in said recess of said body of said female
 connector each of said at least one locking catch is arranged
 in a clearance zone configured so that each locking hook can
 move axially therein.

4. A coupling according to claim 3, wherein each of said
 at least one locking hook of said connection element is
 provided with a retaining finger that prevents said connec-
 tion element from moving transversely in said clearance
 zone inside said recess of said female connector.

[5. A coupling according to claim 2, wherein a front
 interference face of each branch is formed by an oblique
 surface that slopes relative to said axial direction and that is
 arranged below a middle of said axial orifice of said female
 connector in order to interfere with said collar of said male
 connector.]

6. A tube coupling [according to claim 3,] *that is adapted
 to be connected to a male connector, the tube coupling
 comprising:*

a female connector having a body defining an orifice, and
 a connection element that, when inserted into said body of
 said female connector, extends along a transverse
 direction in a recess in said body of said female
 connector and that is deformed elastically radially
 towards an outside of said female connector by
 mechanical interference with an annular collar of a
 male connector during an insertion of the male con-
 nector into said female connector and, in reaction to
 said radial elastic deformation, springs back along
 said transverse direction towards the inside of said
 female connector, said connection element comprising
 at least one locking hook, the at least one locking hook
 closing on at least one locking catch provided in said
 body of said female connector in a locking position
 when said connection element is fully inserted into said
 body of said female connector,

wherein said connection element and said body of said
 female connector have a first position wherein said at
 least one locking hook is above said at least one locking
 catch in said transverse direction and initially pro-
 jected axially into said body of said female connector,
 an intermediate position wherein said connection ele-
 ment is axially, radially and elastically deformed and
 said at least one locking hook is, in the transverse
 direction, at a same level as said at least one locking
 catch, and a closure position wherein a part of said at
 least one locking hook is placed below said at least one
 locking catch in the transverse direction so as to
 prevent an upwards displacement of said at least one
 locking hook in said transverse direction,

wherein the tube coupling is arranged so that said con-
 nection element and said body of said female connector
 achieve said first position before said intermediate
 position, and said connection element and said body of
 said female connector achieve said intermediate posi-
 tion before said closure position when the male con-
 nector is inserted into said female connector,
 wherein said connection element is in the form of two
 forks, with a first U-shaped fork forming a lock for said

11

collar and a second U-shaped fork forming a yoke, said forks being connected together at bases of the U-shapes, said second U-shaped fork having two branches, each branch provided with one of said at least one locking hook extending in the transverse direction and with an opening facing radially towards an inside of the orifice in the body of the female connector;

wherein before said connection element and said body of said female connector achieve said intermediate position, said opening of each of said at least one locking hook is located above a respective locking catch of said at least one locking catch, and in said closure position, each of said at least one locking catch forms an abutment for each of said at least one locking hook, and in said recess of said body of said female connector each of said at least one locking catch is arranged in a clearance zone configured so that each locking hook can move axially therein,

wherein each branch of said connection element has a back face opposite from an interference front face, which back face is provided with a peg whereby said connection element bears against said body of said female connector in order to force said branch to twist under an effect of [said] the mechanical interference of [said] the annular collar of the male connector against said connection element.

7. A coupling according to claim 1, wherein when said connection element is fully inserted into said recess of said female connector, said connection element is flush with an outside surface of said body of said female connector, and in this position said connection element masks a visual indicator for verifying proper assembly that is applied to said connection element.

8. A coupling according claim 1, further comprising a clip designed to be inserted in said connection element when said connection element is fully inserted in said body of said female connector, said clip serving as an indicator for verifying that said coupling is properly assembled.

9. A coupling according claim 1, wherein said connection element moves automatically inside said female connector.

10. A tube coupling that is adapted to be connected to a male connector, the tube coupling comprising:

a female connector including a body, the body defining an axial opening and a radial opening that is transverse to the axial opening, the body including a first locking catch and a second locking catch within the radial opening;

a connection element including a first flexible branch and a second flexible branch, the first flexible branch including a first locking hook at a first terminal end thereof, and the second flexible branch including a second locking hook at a second terminal end thereof;

wherein the connection element is positionable in the radial opening of the female connector in a pre-assembly position, an intermediate position, and a locking position;

wherein, in the pre-assembly position, the first and second locking hooks of the connection element are positioned above the first and second locking catches, such that movement of the connection element into the radial opening is obstructed by the first and second locking catches;

wherein, in the intermediate position, the first and second flexible branches are axially and radially deformed in response to engagement of an annular collar of a male connector with the first and second flexible branches,

12

and the first and second locking hooks are, in a transverse insertion direction, at a same level as the first and second locking catches;

wherein, in the locking position, the first and second locking hooks engage the first and second locking catches, respectively, to prevent displacement of the connection element from the radial opening in the body of the female connector;

wherein the connection element is operable to transition from the pre-assembly position to the intermediate position in response to a mechanical interference of the annular collar of the male connector with the first and second flexible branches of the connection element;

wherein the connection element is further operable to transition from the intermediate position to the locking position by deflection of the first and second flexible branches around the annular collar of the male connector which causes the connection element to automatically move within the radial recess of the female connector in the transverse insertion direction; and

wherein each of the first and second flexible branches includes an oblique surface that is sloped relative to an axial direction of the female connector to interfere with the annular collar of the male connector.

11. A tube coupling according to claim 10, wherein the connection element includes a first U-shaped fork and a second U-shaped fork, the second U-shaped fork including the first and second flexible branches, the first and second U-shaped forks being axially offset from each other and integrally joined together.

12. A tube coupling according to claim 10, wherein the first and second locking hooks of the connection element each include a retaining finger that prevents the connection element from moving transversely in the radial opening of the body of the female connector.

13. A tube coupling that is adapted to be connected to a male connector, the tube coupling comprising:

a female connector including a body, the body defining an axial opening and a radial opening that is transverse to the axial opening, the body including a first locking catch and a second locking catch within the radial opening;

a connection element including a first flexible branch and a second flexible branch, the first flexible branch including a first locking hook at a first terminal end thereof, and the second flexible branch including a second locking hook at a second terminal end thereof;

wherein the connection element is positionable in the radial opening of the female connector in a pre-assembly position, an intermediate position, and a locking position;

wherein, in the pre-assembly position, the first and second locking hooks of the connection element are positioned above the first and second locking catches, such that movement of the connection element into the radial opening is obstructed by the first and second locking catches;

wherein, in the intermediate position, the first and second flexible branches are axially and radially deformed in response to engagement of an annular collar of a male connector with the first and second flexible branches, and the first and second locking hooks are, in a transverse insertion direction, at a same level as the first and second locking catches;

wherein, in the locking position, the first and second locking hooks engage the first and second locking

13

catches, respectively, to prevent displacement of the connection element from the radial opening in the body of the female connector;

wherein the connection element is operable to transition from the pre-assembly position to the intermediate position in response to a mechanical interference of the annular collar of the male connector with the first and second flexible branches of the connection element;

wherein the connection element is further operable to transition from the intermediate position to the locking position by deflection of the first and second flexible branches around the annular collar of the male connector which causes the connection element to automatically move within the radial recess of the female connector in the transverse insertion direction; and

wherein each of the first and second flexible branches includes a back face opposite of a front interference face, the back face including a peg whereby the connection element bears against an interior of the female connector in order to force the first and second flexible branches to twist under an effect of the mechanical interference of the annular collar of the male connector with the first and second flexible branches of the connection element.

14. A tube coupling according to claim 10 wherein, in the locking position, the connection element is flush with an outside surface of the body of the female connector, and in this position the connection element masks a visual indicator for verifying proper assembly.

15. A tube coupling that is adapted to be connected to a male connector, the tube coupling comprising:

a female connector including a body, the body defining an axial opening and a radial opening that is transverse to the axial opening, the body including a first locking catch and a second locking catch within the radial opening;

a connection element including a first flexible branch and a second flexible branch, the first flexible branch including a first locking hook at a first terminal end thereof, and the second flexible branch including a second locking hook at a second terminal end thereof;

14

wherein the connection element is positionable in the radial opening of the female connector in a pre-assembly position, an intermediate position, and a locking position;

wherein, in the pre-assembly position, the first and second locking hooks of the connection element are positioned above the first and second locking catches, such that movement of the connection element into the radial opening is obstructed by the first and second locking catches;

wherein, in the intermediate position, the first and second flexible branches are axially and radially deformed in response to engagement of an annular collar of a male connector with the first and second flexible branches, and the first and second locking hooks are, in a transverse insertion direction, at a same level as the first and second locking catches;

wherein, in the locking position, the first and second locking hooks engage the first and second locking catches, respectively, to prevent displacement of the connection element from the radial opening in the body of the female connector;

wherein the connection element is operable to transition from the pre-assembly position to the intermediate position in response to a mechanical interference of the annular collar of the male connector with the first and second flexible branches of the connection element;

wherein the connection element is further operable to transition from the intermediate position to the locking position by deflection of the first and second flexible branches around the annular collar of the male connector which causes the connection element to automatically move within the radial recess of the female connector in the transverse insertion direction; and

further comprising a clip to be inserted in the connection element when the connection element is in the locking position, the clip being an indicator for verifying that the coupling is properly assembly.

* * * * *