



US00RE49193E

(19) **United States**
(12) **Reissued Patent**
Prushinskiy et al.

(10) **Patent Number:** **US RE49,193 E**
(45) **Date of Reissued Patent:** **Aug. 30, 2022**

(54) **FOLDABLE DISPLAY**

(71) Applicant: **Samsung Display Co., Ltd.**, Yongin-si (KR)

(72) Inventors: **Valeriy Prushinskiy**, Hwaseong-si (KR); **Minsoo Kim**, Seoul (KR)

(73) Assignee: **SAMSUNG DISPLAY CO., LTD.**, Yongin-si (KR)

(21) Appl. No.: **16/707,841**

(22) Filed: **Dec. 9, 2019**

Related U.S. Patent Documents

Reissue of:

(64) Patent No.: **9,841,937**
Issued: **Dec. 12, 2017**
Appl. No.: **14/843,820**
Filed: **Sep. 2, 2015**

(30) **Foreign Application Priority Data**

Feb. 24, 2015 (KR) 10-2015-0025965

(51) **Int. Cl.**
G06F 3/14 (2006.01)
G06F 3/02 (2006.01)
(Continued)

(52) **U.S. Cl.**
CPC **G06F 1/1618** (2013.01); **G06F 1/1601** (2013.01); **G06F 1/163** (2013.01); **G06F 1/1652** (2013.01); **G06F 1/1677** (2013.01); **G06F 1/3218** (2013.01); **G06F 1/3265** (2013.01); **G06F 1/3287** (2013.01); **G06F 3/0227** (2013.01); **G06F 3/04886** (2013.01); **G06F 3/1431** (2013.01); **G09G 3/035** (2020.08);
(Continued)

(58) **Field of Classification Search**

CPC .. G06F 3/1431; G06F 3/04886; G06F 1/1618; G06F 1/3265; G06F 1/1652; G06F 1/163; G06F 1/3218; G06F 1/3287; G06F 1/1677; G06F 1/1601; G06F 3/0227; G06F 2200/1614; G06F 3/048; G09G 3/3208; G09G 3/344; G09G 2380/02; Y02D 10/00; G09F 9/301

See application file for complete search history.

(56) **References Cited**

U.S. PATENT DOCUMENTS

8,933,874 B2 1/2015 Lundqvist et al.
9,009,984 B2 4/2015 Caskey et al.
(Continued)

FOREIGN PATENT DOCUMENTS

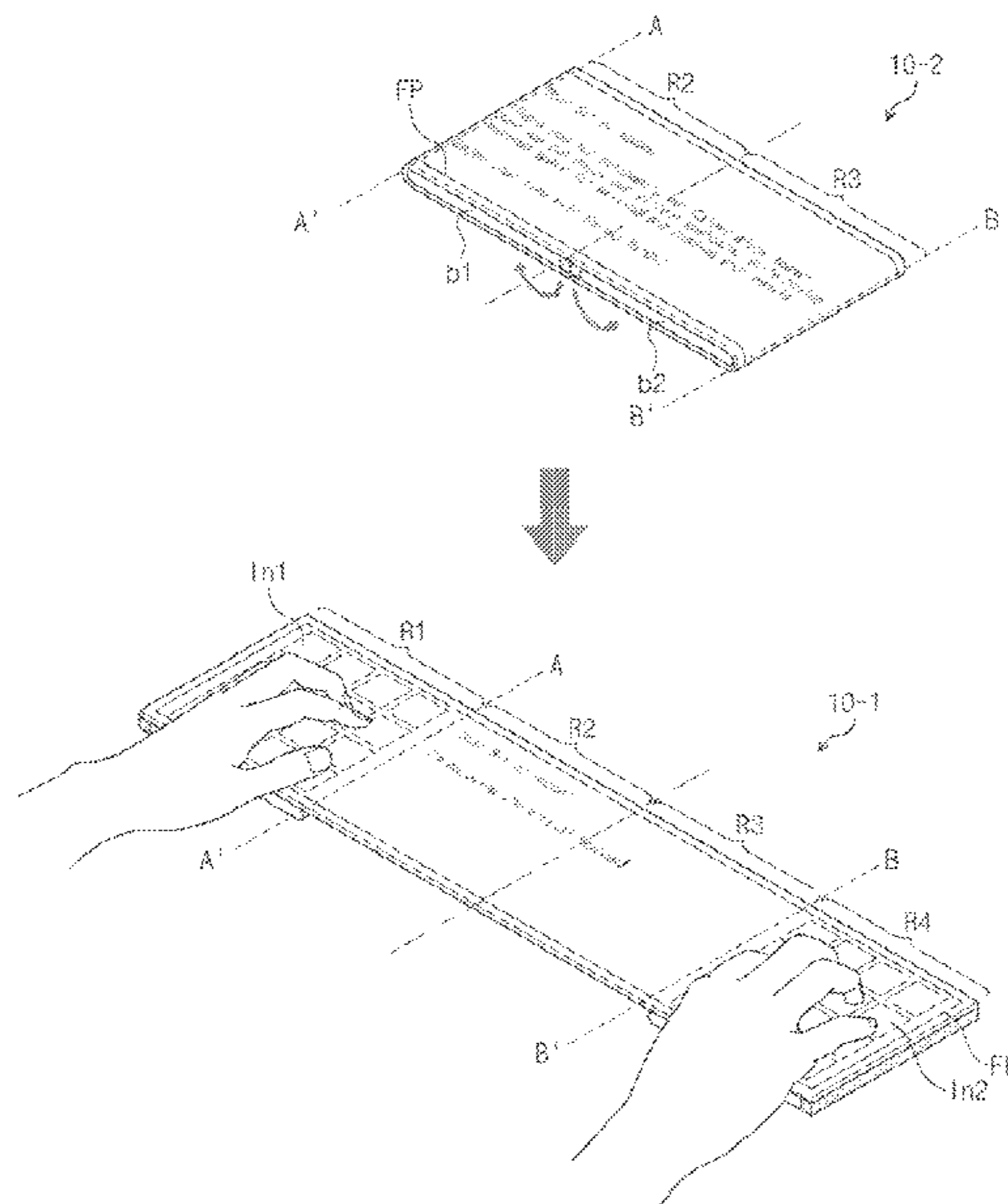
KR 10-2005-0073874 7/2005
KR 10-2005-0073874 A 7/2005
(Continued)

Primary Examiner — Jeffrey D Carlson
(74) *Attorney, Agent, or Firm* — Kile Park Reed & Houtteman PLLC

(57) **ABSTRACT**

A foldable display is disclosed. In one aspect, the foldable display includes a foldable display panel including first to fourth regions adjacent to each other. The foldable display also includes a first support located on a rear surface of the first region and a second support located on a rear surface of the fourth region. The foldable display panel is configured to be arranged in a first configuration in which the foldable display panel is unfolded and a second configuration in which the foldable display panel is folded so that the first support supports the first and second regions and the second support supports the third and fourth regions.

9 Claims, 8 Drawing Sheets



US RE49,193 E

- (51) **Int. Cl.**
G06F 1/16 (2006.01)
G09G 3/3208 (2016.01)
G09G 3/34 (2006.01)
G09G 3/00 (2006.01)
G06F 1/3218 (2019.01)
G06F 1/3234 (2019.01)
G06F 1/3287 (2019.01)
G06F 3/04886 (2022.01)
- (52) **U.S. Cl.**
 CPC *G09G 3/3208* (2013.01); *G09G 3/344* (2013.01); *G06F 2200/1614* (2013.01)
- 2010/0201604 A1* 8/2010 Kee G06F 1/1616 345/1.3
 2011/0216064 A1* 9/2011 Dahl G06F 1/1616 345/428
 2013/0127917 A1* 5/2013 Kwack G06F 1/1652 345/660
 2014/0049911 A1* 2/2014 Corbin A45C 13/002 361/679.58
 2014/0226275 A1 8/2014 Ko et al.
 2014/0247252 A1* 9/2014 Lee G06F 1/1652 345/204
 2016/0132281 A1* 5/2016 Yamazaki G06F 3/1446 345/1.3

FOREIGN PATENT DOCUMENTS

(56) **References Cited**

U.S. PATENT DOCUMENTS

- 9,013,458 B2 4/2015 Cho et al.
 2004/0231203 A1* 11/2004 Dobelbower G09F 15/0068 40/124.09
 2008/0144265 A1* 6/2008 Aoki G06F 1/1601 361/679.04
 2009/0275366 A1* 11/2009 Schilling G06F 1/1615 455/566

- KR 10-2012-0117140 10/2012
 KR 10-2012-0117140 A 10/2012
 KR 10-2013-0071204 6/2013
 KR 10-2013-0071204 A 6/2013
 KR 10-1320252 10/2013
 KR 10-2014-0033625 3/2014
 KR 10-2014-0033625 A 3/2014
 KR 10-2014-0115913 10/2014

* cited by examiner

FIG. 1A

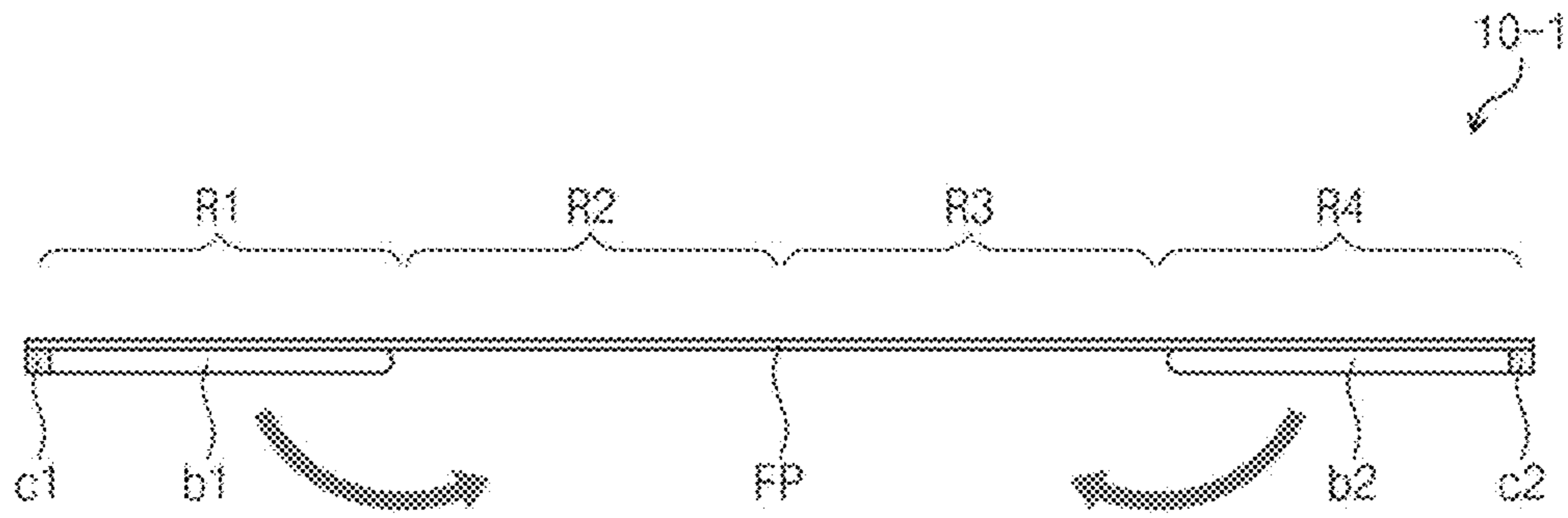


FIG. 1B

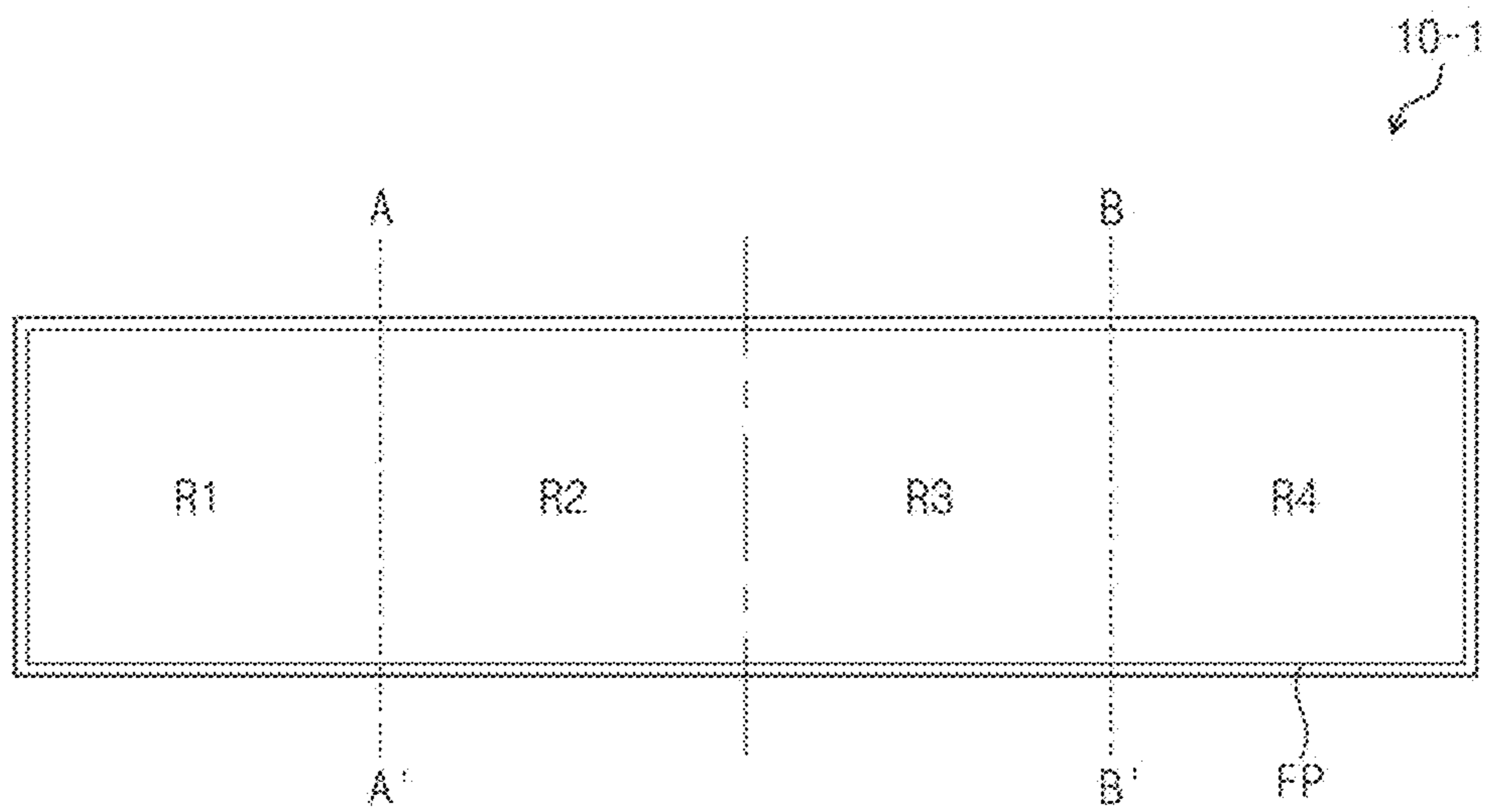


FIG. 2A

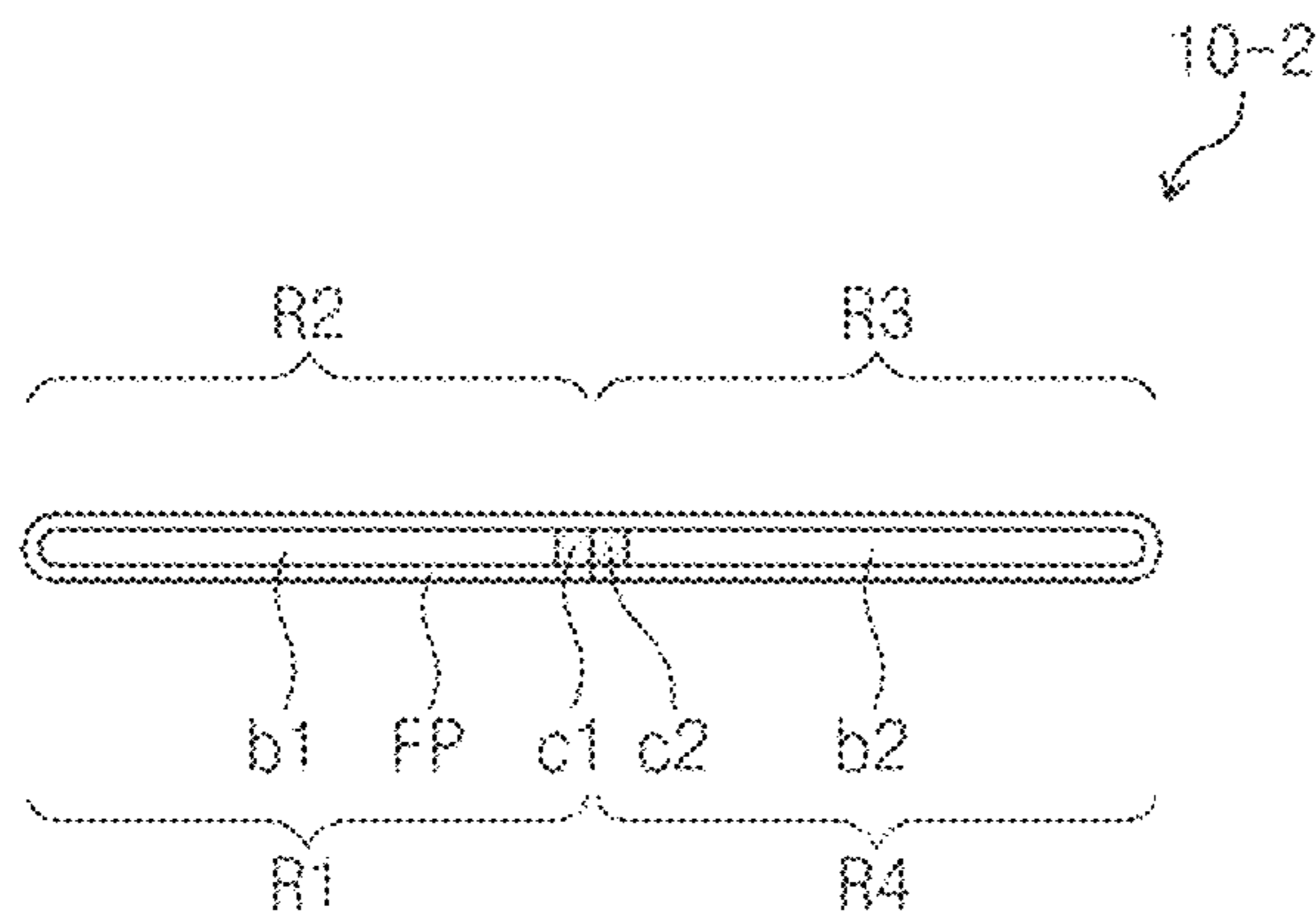


FIG. 2B

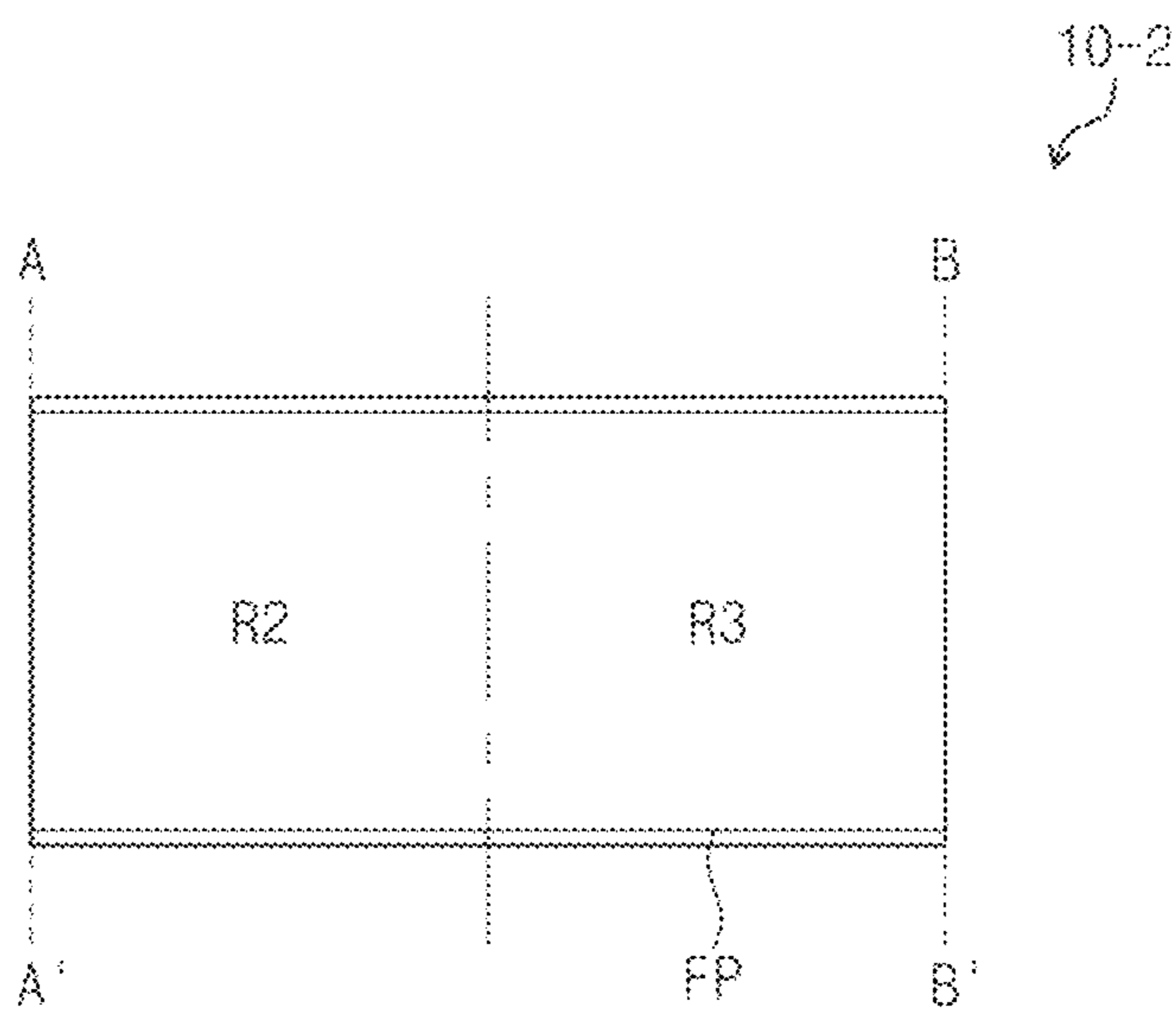


FIG. 3

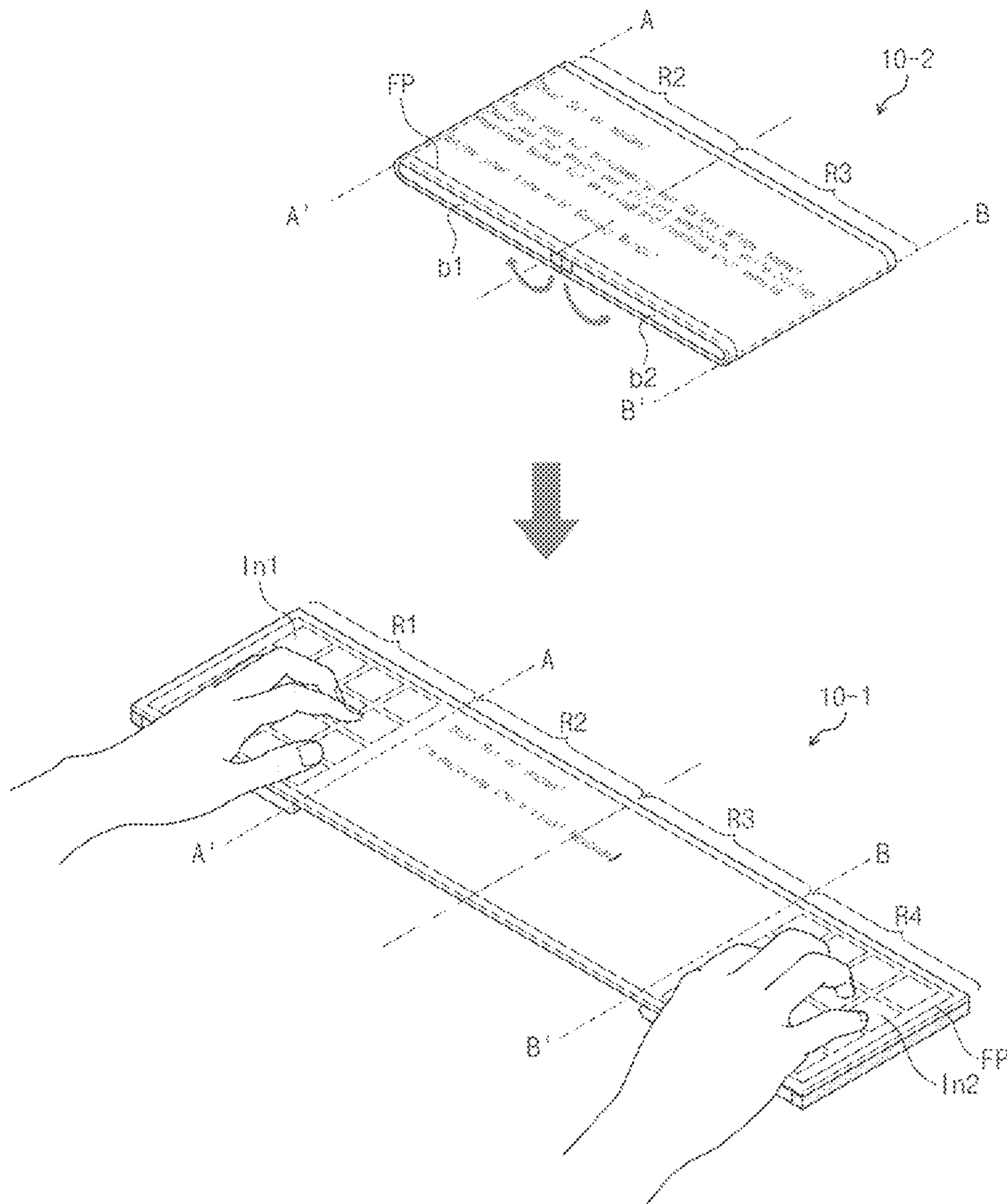


FIG. 4A

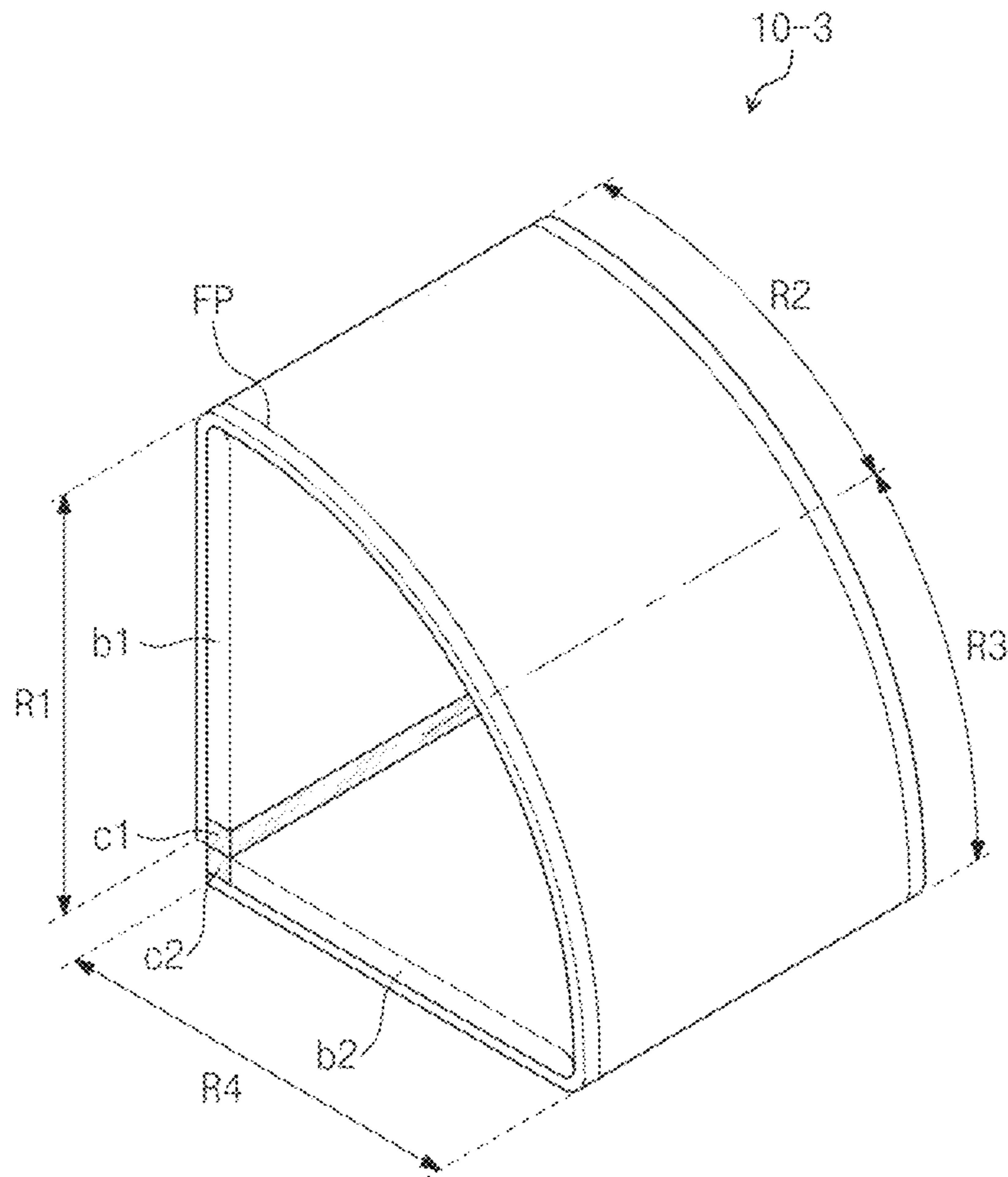


FIG. 4B

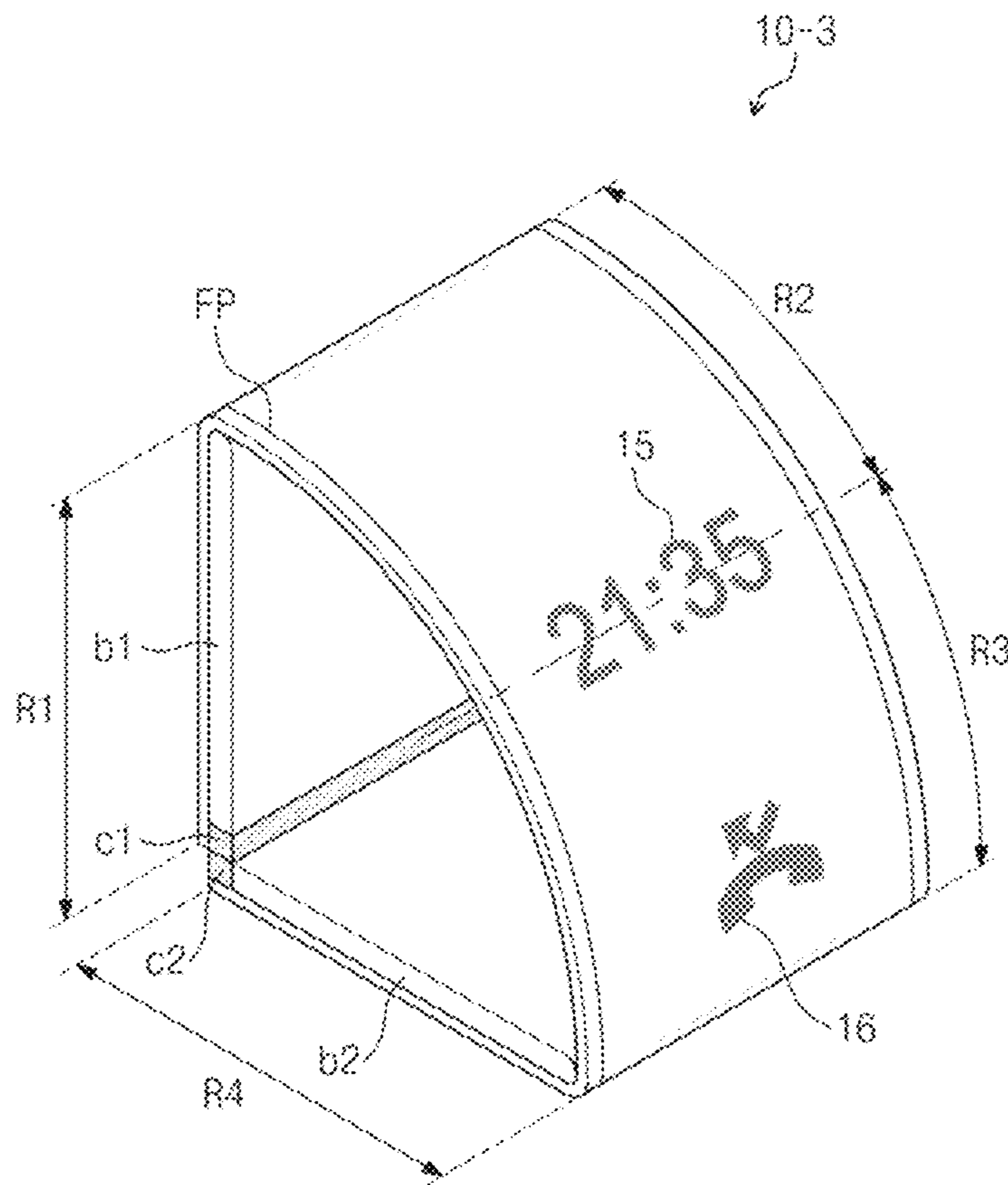


FIG. 5A

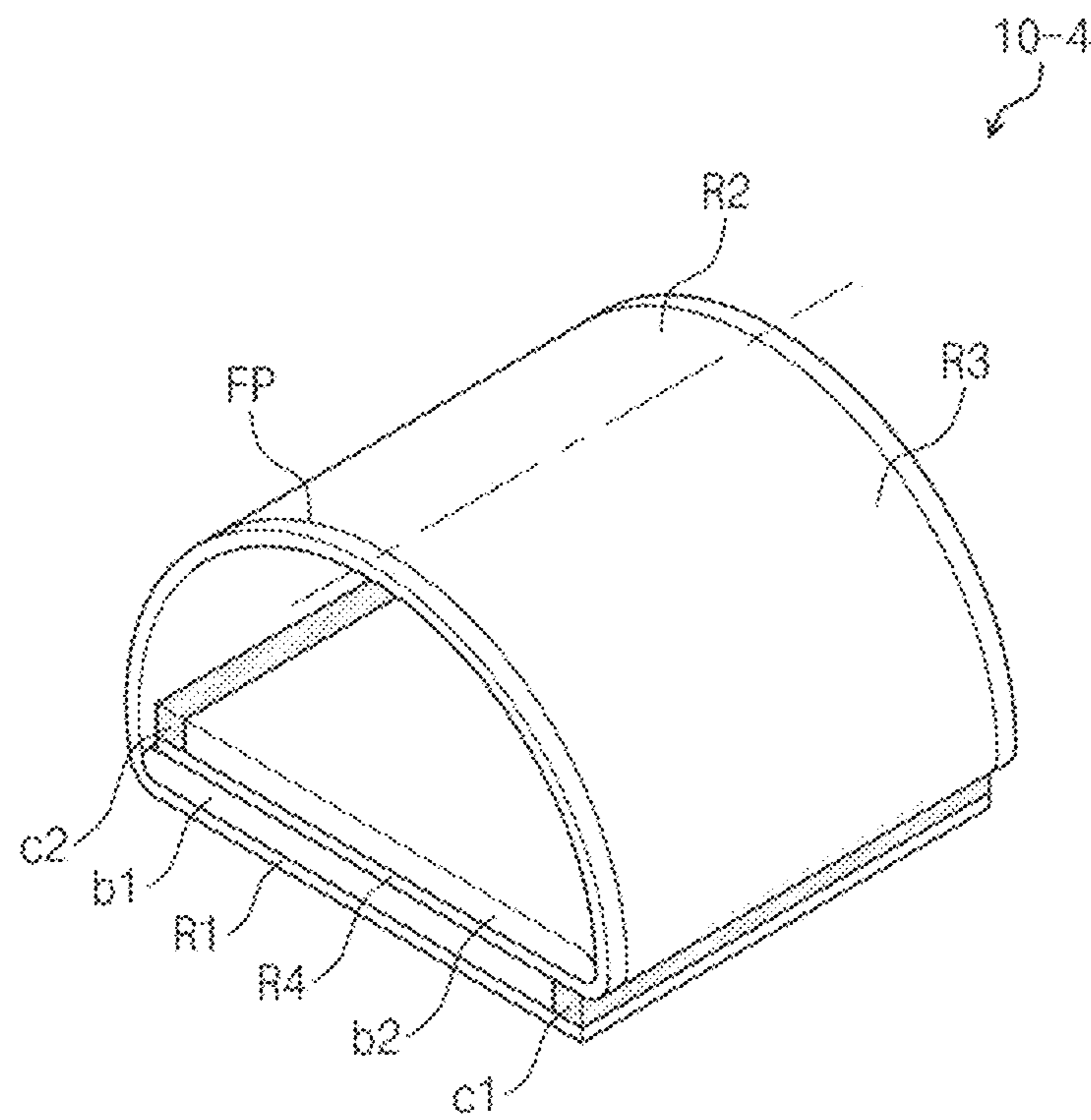


FIG. 5B

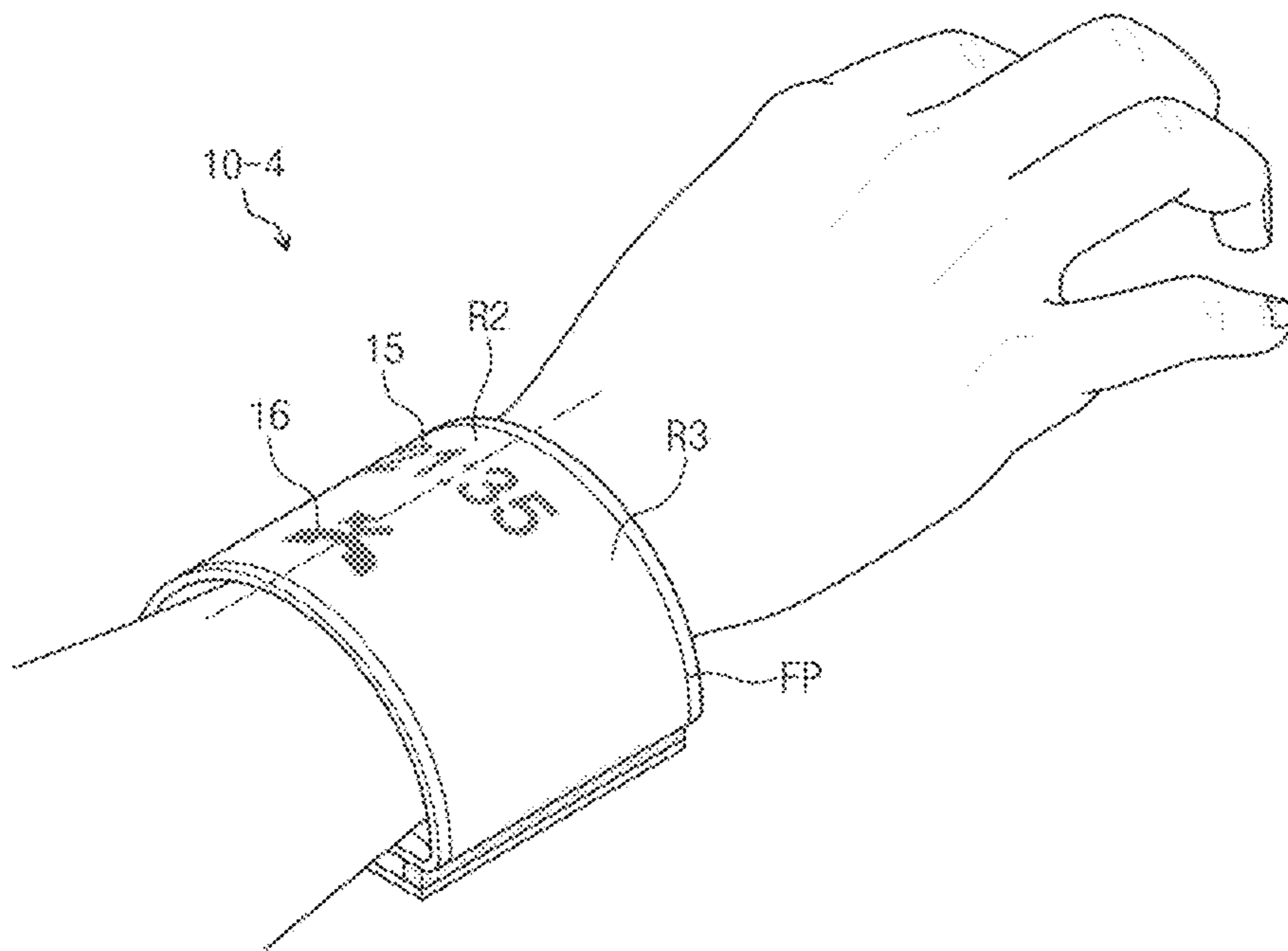
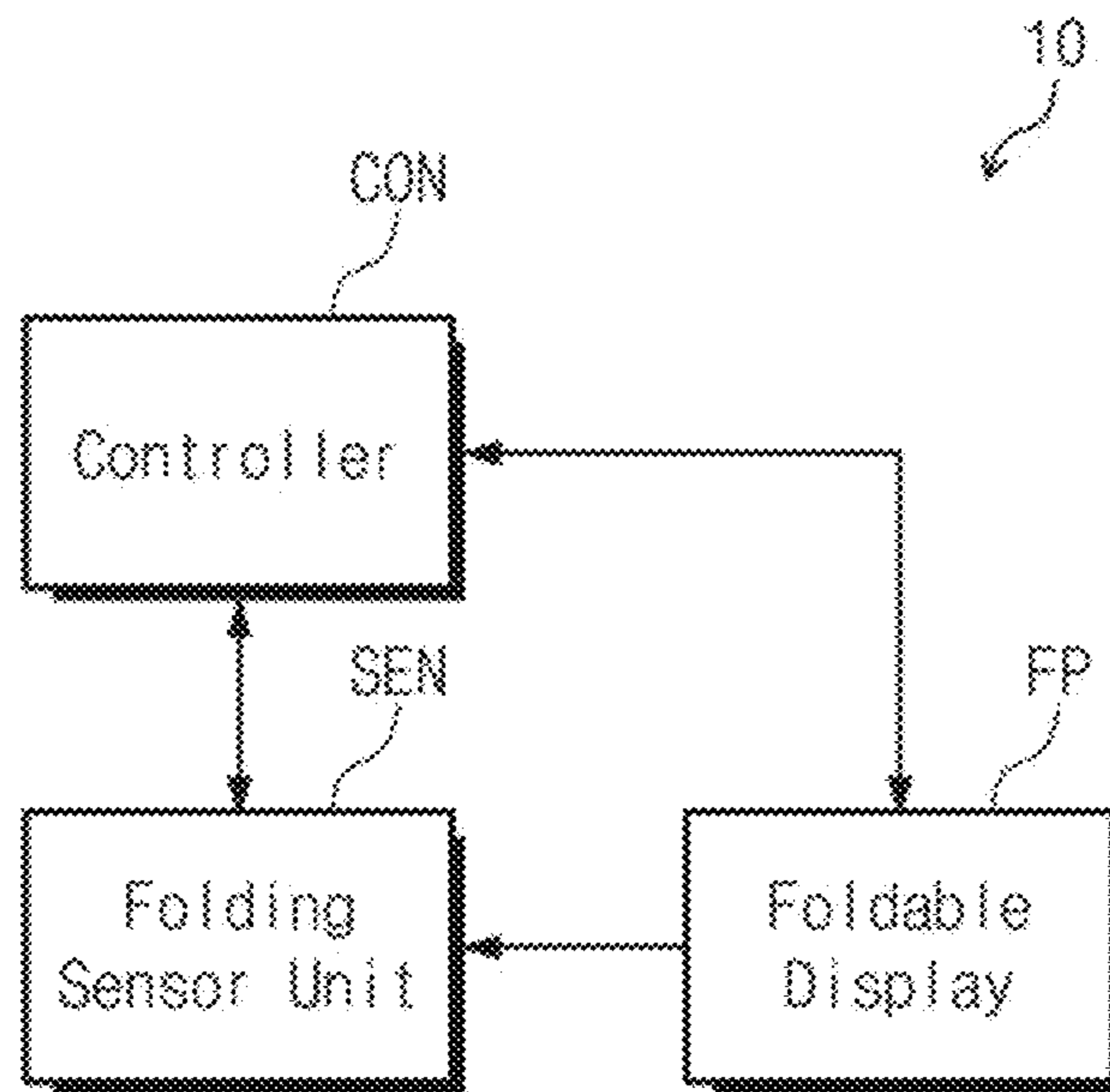


FIG. 6



FOLDABLE DISPLAY

Matter enclosed in heavy brackets [] appears in the original patent but forms no part of this reissue specification; matter printed in italics indicates the additions made by reissue; a claim printed with strikethrough indicates that the claim was canceled, disclaimed, or held invalid by a prior post-patent action or proceeding.

CROSS-REFERENCE TO RELATED APPLICATIONS

[This U.S. non-provisional patent application claims priority under 35 U.S.C. §119 of Korean Patent Application No. 10-2015-0025965, filed on Feb. 24, 2015, the entire contents of which are hereby incorporated by reference.] *This is a reissue application of U.S. Pat. No. 9,841,937 issued Dec. 12, 2017, which issued from U.S. patent application Ser. No. 14/843,820 filed Sep. 2, 2015. U.S. Pat. No. 9,841,937 claims priority benefit of Korean Patent Application No. 10-2015-0025965, filed on Feb. 24, 2015 in the Korean Intellectual Property Office, the disclosure of which is incorporated herein in its entirety for all purposes.*

BACKGROUND

Field

The described technology generally relates to a foldable display.

Description of the Related Technology

Display devices include various electronic components for displaying images. Example display devices include televisions, computer monitors, personal digital assistants (PDAs), and smart devices.

Certain display devices, such as organic light-emitting diode (OLED) displays, liquid crystal displays (LCDs), plasma display panels (PDPs), or electrophoretic displays (EPDs) can be manufactured to display high-definition images.

In recent years, foldable displays which can be arranged into various configurations for portability and various other uses have been developed. Users can use foldable displays more easily and more efficiently by adjusting the available surface area in a display region via folding or unfolding the foldable displays into different configurations.

SUMMARY OF CERTAIN INVENTIVE ASPECTS

One inventive aspect is a foldable display that is convertible into various configurations and freely changeable according to an intended purpose of a user.

Another aspect is a foldable display including a foldable display panel including a first region and a second region adjacent to each other in a horizontal direction, and a third region and a fourth region adjacent to each other in the horizontal direction; a first body located on a rear surface of the first region; and a second body located on a rear surface of the fourth region. The foldable display panel includes a first configuration in which the foldable display panel is unfolded such that the first body supports the first region and the second body supports the fourth region, and a second configuration in which the foldable display panel is folded such that the first body supports the first region and the second region and the second body supports the third region and the fourth region.

In some embodiments, the first body can include a first coupling portion and the second body can include a second coupling portion. The first coupling portion and the second coupling portion are connected to each other in the second configuration of the foldable display.

In other embodiments, the first and second coupling portions can have different magnetic polarities from each other.

In still other embodiments, the second configuration can be a configuration in which the foldable display panel is folded along a boundary line between the first and second regions such that the first body is arranged on rear surfaces of the first and second regions to support the first and second regions at the same time, and the foldable display panel is folded along a boundary line between the third and fourth regions such that the second body is arranged on rear surfaces of the third and fourth regions to support the third and fourth regions at the same time.

In even other embodiments, the foldable display panel can have a third configuration in which the first and second coupling portions are connected to each other such that the first and second bodies form a right angle and the second and third regions are curved.

In yet other embodiments, the foldable display panel can have a fourth configuration in which the foldable display panel is folded such that the first and second bodies overlap each other and the second and third regions are curved.

In further embodiments, the foldable display can further include: a folding sensor sensing the configuration of the foldable display panel; and a controller communicating with the folding sensor to detect the configuration of the foldable display panel and controlling the foldable display panel on the basis of the detected result.

In still further embodiments, when detecting the second configuration, the controller can control the foldable display panel such that the first and fourth regions display a first input interface and a second input interface, respectively.

In even further embodiments, the second input interface can be an interface continuing from the first input interface.

In yet further embodiments, the first and second interfaces can be keyboard input interfaces.

In much further embodiments, when detecting a conversion from the first configuration to the second configuration, the controller can control the foldable display panel such that the first and fourth regions display interfaces with respect to images which the second and third regions display in the first configuration.

In still much further embodiments, when detecting the third configuration, the controller can control the foldable display panel such that the second and third regions are activated.

In even much further embodiments, when detecting the fourth configuration, the controller can control the foldable display panel such that the first or fourth region is inactivated.

In yet much further embodiments, sizes of the first and second regions can be substantially the same, and sizes of the third and fourth regions can be substantially the same.

Another aspect is a foldable display comprising a foldable display panel including: i) a first region and a second region adjacent to each other in a first direction, and ii) a third region and a fourth region adjacent to each other in the first direction; a first support located on a rear surface of the first region; and a second support located on a rear surface of the fourth region, wherein the foldable display panel is configured to be arranged in a first configuration in which the foldable display panel is unfolded so that the first support

3

supports the first region and the second support supports the fourth region, and wherein the foldable display panel is further configured to be arranged in a second configuration in which the foldable display panel is folded so that the first support supports the first region and the second region and the second support supports the third region and the fourth region.

In exemplary embodiments, the first body comprises a first coupling portion and the second body comprises a second coupling portion, wherein the first coupling portion and the second coupling portion are configured to be connected to each other in the second configuration of the foldable display panel. The first coupling portion and the second coupling portion can have different magnetic polarities from each other.

In exemplary embodiments, the second configuration is a configuration in which: i) the foldable display panel is folded along a boundary line between the first and second regions such that the first support is arranged on rear surfaces of the first and second regions to support the first and second regions at the same time, and ii) the foldable display is folded along a boundary line between the third and fourth regions such that the second support is arranged on rear surfaces of the third and fourth regions to support the third and fourth regions at the same time.

In exemplary embodiments, the foldable display panel is further configured to be arranged in a third configuration in which the first and second coupling portions are connected to each other such that the first support and the second support form a right angle and the second region and the third region are curved. The foldable display panel can be further configured to be arranged in a fourth configuration in which the foldable display panel is folded such that the first support and the second support overlap each other and the second region and the third region are curved.

In exemplary embodiments, the foldable display further comprises a folding sensor configured to sense the configuration of the foldable display panel; and a controller configured to: i) communicate with the folding sensor to detect the configuration of the foldable display panel, and ii) control the foldable display panel based on the detected configuration. The controller can be further configured to control the foldable display panel such that the first region displays a first input interface and the fourth region displays a second input interface when the controller detects that the foldable display panel is in the second configuration. The second input interface can continue from the first input interface. The first interface and the second interface can be keyboard input interfaces.

In exemplary embodiments, the controller is further configured to control the foldable display panel such that the first region displays the first input interface and the fourth region displays the second input interface when the controller detects a conversion of the foldable display panel from the first configuration to the second configuration, and wherein the first input interface and the second input interface are interfaces that are based on images displayed by the second and third regions in the first configuration.

In exemplary embodiments, the controller is further configured to control the foldable display panel such that the second and third regions are activated when the controller detects that the foldable display panel is in the third configuration. The controller can be further configured to control the foldable display such panel that the first or fourth region is inactive when the controller detects that the foldable display panel is in the fourth configuration. The sizes of

4

the first and second regions can be substantially the same and wherein the sizes of the third and fourth regions can be substantially the same.

BRIEF DESCRIPTION OF THE DRAWINGS

The accompanying drawings are included to provide a further understanding of the described technology and are incorporated in and constitute a part of this specification. The drawings illustrate exemplary embodiments of the described technology and, together with the description, serve to explain principles of the described technology.

FIG. 1A illustrates a side view of a foldable display including a foldable display panel in a first configuration.

FIG. 1B illustrates a front view of the foldable display illustrated in FIG. 1A.

FIG. 2A illustrates a side view of a foldable display including a foldable display panel in a second configuration.

FIG. 2B illustrates a front view of the foldable display illustrated in FIG. 2A.

FIG. 3 illustrates an embodiment a foldable display which is controlled depending on a configuration of a foldable display panel.

FIGS. 4A and 4B illustrates perspective views of a foldable display including a foldable display panel in a third configuration.

FIGS. 5A and 5B illustrates perspective views of a foldable display including a foldable display panel in a fourth configuration.

FIG. 6 illustrates a block diagram of a foldable display according to an embodiment.

DETAILED DESCRIPTION OF CERTAIN INVENTIVE EMBODIMENTS

The terms used in this specification are selected as a general terms that are widely used while considering the functions of the present specification. Also, in certain cases, the meanings of terms will be defined in the description of the corresponding embodiment. Accordingly, a term used herein shall be interpreted based on practical meanings and the contents throughout the specification instead of the simple label of the term.

Moreover, although exemplary embodiments are described in detail with reference to the accompanying drawings and contents described therein, the described technology is not limited or restricted by the exemplary embodiments.

Hereinafter, exemplary embodiments of the described technology will be described in detail with reference to the accompanying drawings.

FIG. 1A illustrates a side view of a foldable display including a foldable display panel in a first configuration. FIG. 1B illustrates a front view of the foldable display illustrated in FIG. 1A. FIG. 2A illustrates a side view of a foldable display including a foldable display panel in a second configuration. FIG. 2B illustrates a front view of the foldable display illustrated in FIG. 2A.

Referring to FIGS. 1A to 2B, a foldable display 10-1 or 10-2 includes a foldable display panel FP and a hard material body supporting a specific region of the foldable display panel FP.

The foldable display panel FP may include first to fourth regions R1 to R4. More specifically, the foldable display panel FP includes the first and second regions R1 and R2 formed adjacent to each other in a horizontal direction and the third and fourth regions R3 and R4 formed adjacent to

each other in the horizontal direction. The size and shape of the first region R1 can be substantially the same as that of the second region R2, and the size and shape of the third region R3 can be substantially the same as that of the fourth region R4.

The foldable display 10-1 or 10-2 can include first and second bodies or supports b1 and b2 supporting at least two regions of the first to fourth regions R1 to R4. In particular, in the present specification, the foldable display 10-1 or 10-2 can include the first and second bodies b1 and b2 respectively supporting the first and fourth regions R1 and R4. The first body b1 can be located on a rear surface of the first region R1 so as to support the first region R1 and can be formed of a hard or rigid material. The rear surface of the first region R1 can be attached to one surface of the first body b1. Similarly, the second body b2 can be also located on a rear surface of the fourth region R4 so as to support the fourth region R4 and can be formed of a hard or rigid material. The rear surface of the fourth region R4 can be attached to one surface of the second body b2.

The size of the first body b1 can be substantially equal to or less than that of the first region R1. The size of the second body b2 can be substantially equal to or less than that of the fourth region R4.

In the present specification, the foldable display panel FP can have folded configurations that are classified into first to fourth configurations. The spatial relationships between the first to fourth regions R1 to R4 and the first and second bodies b1 and b2 can be also altered according to the folded configurations of the foldable display panel FP.

Referring to FIGS. 1A and 1B, the first configuration indicates a configuration in which the foldable display panel FP is unfolded such that the first body b1 supports the first region R1 and the second body b2 supports the second region R2. That is, the first configuration indicates a configuration in which all the first to fourth regions R1 to R4 of the foldable display panel FP are exposed to the environment. Therefore, the foldable display panel FP in the first configuration can provide a display screen having the widest display region. When a user wants to use a wide screen, the user can arrange the foldable display panel FP in the first configuration to use all the first to fourth regions R1 to R4 of the foldable display panel FP.

Referring to FIGS. 2A and 2B, the second configuration indicates a configuration in which the foldable display panel FP is folded such that the first body b1 supports the first and second regions R1 and R2, and the second body b2 supports the third and fourth regions R3 and R4. More specifically, the second configuration indicates a configuration in which the foldable display panel FP is folded along a boundary line A-A' between the first and second regions R1 and R2 such that the first body b1 is arranged on rear surfaces of the first and second regions R1 and R2 to support the first and second regions R1 and R2 at the same time. Also, the second configuration indicates a configuration in which the foldable display panel FP is folded along a boundary line B-B' between the third and fourth regions R3 and R4 such that the second body b2 is arranged on rear surfaces of the third and fourth regions R3 and R4 to support the third and fourth regions R3 and R4 at the same time. In the second configuration, the other surface of the first body b1 and the other surface of the second body b2 can be respectively arranged on a rear surface of the second region R2 and a rear surface of the third region R3. For example, the first body b1 may be in close contact with the first and second regions R1 and R2 and the second body b2 may be in close contact with the third and fourth regions R3 and R4 to aid in maintaining the

shape of the respective regions R1 to R4. That is, the first and second bodies b1 and b2 can provide structural stability to the first to fourth regions R1 to R4 when in contact therewith.

Thus, the first to fourth regions R1 to R4 are arranged on both surfaces of the foldable display panel FP, so that the foldable display 10-2 can have a similar structure to a double-side display. Therefore, in the second configuration, the foldable display 10-2 can operate in a similar manner to a dual-side display. That is, the first to fourth regions R1 to R4 can be activated at the same time to display images in opposite directions.

The first and second bodies b1 and b2 can have predetermined shape(s) and thickness(es). As a result, in the second configuration, the folded region(s) of the foldable display panel FP can have a constant radius of curvature. More specifically, a cross-section of a first folded region corresponding to the boundary line A-A' between the first and second regions R1 and R2 and a cross-section of a second folded region corresponding to the boundary line B-B' between the third and fourth regions R3 and R4 can have a constant radius of curvature. For example, the cross-section of each of the first and second folded regions can have a radius of curvature of about 7 mm to about 8 mm.

The first and second bodies b1 and b2 can include coupling portions for stably maintaining the second configuration. More specifically, the first body b1 and the second body b2 can respectively include a first coupling portion c1 and a second coupling portion c2. The first and second coupling portions c1 and c2 can be connected to each other in the second configuration to allow the foldable display panel FP to be stably maintained in the second configuration. Accordingly, in the second configuration, the first and second coupling portions c1 and c2 can be provided at positions corresponding to each other.

The first and second coupling portions c1 and c2 can be realized in various embodiments. For example, the first and second coupling portions c1 and c2 can have different magnetic polarities from each other. As a result, in the second configuration, when the first and second coupling parts c1 and c2 are sufficiently close to each other, the first and second coupling parts c1 and c2 can be connected to each other due to their magnetic properties. In addition, the first and second coupling portions c1 and c2 can be mechanically or structurally connected to each other.

FIG. 3 illustrates an embodiment of a foldable display controlled depending on a configuration of a foldable display panel.

Referring to FIG. 3, the foldable display 10-1 or 10-2 can control a display operation of the foldable display panel FP in response to a configuration of the foldable display panel FP. In particular, the foldable display 10-1 or 10-2 can display an image in response to the folded configuration of the foldable display panel FP.

The foldable display 10-1 can display images in the first region R1 to the fourth region R4 in response to the first configuration of the foldable display panel FP. Also, the foldable display 10-2 can display various images on the second and third regions R2 and R3 in response to the second configuration of the foldable display panel FP. Herein, the images may refer to a variety of visual information, such as a still image or a moving image that can be viewed by a user.

In an embodiment, the foldable display 10-2 can display images regarding incoming events generated or received by the foldable display 10-2 on the second and third regions R2 and R3 when the second configuration is detected. Here, the

incoming events indicate various events, such as a call, a message, and/or a notification received by the foldable display **10-2**.

When the foldable display panel FP is converted from the second configuration into the first configuration, the foldable display **10-1** can respectively display, on the first and fourth regions **R1** and **R4**, first and second input interfaces **In1** and **In2** for images which are being displayed on the second and third regions **R2** and **R3** in the second configuration. More specifically, the foldable display **10-1** can display the first input interface **In1** for the image and the second input interface **In2** for the image on the first region **R1** and the fourth region **R4**. The second input interface **In2** can indicate an interface that continues from the first input interface **In1**.

For example, while the foldable display panel FP displays images for received messages on the second and third regions **R2** and **R3** in the second configuration, when the foldable display panel FP is converted to the first configuration, the first and second interfaces **In1** and **In2** for receiving user inputs for the received messages can be respectively displayed on the first and fourth regions **R1** and **R4**. In this embodiment, the first and second interfaces **In1** and **In2** can be keyboard input interfaces for the received messages. Especially, the first interface **In1** and the second interface **In2** can be a left keyboard input interface for a left hand input and a right keyboard input interface for a right hand input.

Accordingly, the user confirms the received messages displayed in the foldable display panel FP in the second configuration and then can convert the folded configuration of the foldable display panel FP from the second configuration into the first configuration without an additional input to simply display the input interfaces **In1** and **In2** with respect to the received messages.

Further, the foldable display **10-1** or **10-2** can perform various functions and display various input interfaces in response to the first and second configurations of the foldable display panel FP. However, the described technology is not limited to the aforementioned embodiments.

FIGS. **4A** and **4B** perspective views illustrating a foldable display including a foldable display panel in a third configuration.

Referring to FIGS. **4A** and **4B**, the foldable display panel FP can have a third configuration in which the first and second bodies **b1** and **b2** are connected to each other to form an angle, for example, a right angle. In the third configuration, the first and second coupling portions **c1** and **c2** of the first and second bodies **b1** and **b2** are connected to each other vertically. As a result, the second and third regions **R2** and **R3** can be curved. At this time, the second and third regions **R2** and **R3** can be separated from the first and second bodies **b1** and **b2** in the curved configuration.

In the third configuration of the foldable display panel FP, a foldable display **10-3** can selectively activate only the second and third regions **R2** and **R3**. The second and third regions **R2** and **R3** activated in the third configuration can be used as regions that provide a variety of information to the user in real time.

For example, in the third configuration, the second and third regions **R2** and **R3** of the foldable display panel FP can display a variety of information regarding the surrounding environment, such as the current time **15**, current date, current day of the week, current weather, and current temperature. The second and third regions **R2** and **R3** of the foldable display panel FP in the third configuration can update and display current surrounding environmental information in real time.

Also, in the third configuration, the second and third regions **R2** and **R3** of the foldable display panel FP can display visual notifications with respect to incoming events generated in the foldable display **10-3**. For example, in the third configuration, the second and the third regions **R2** and **R3** of the foldable display panel FP can display information on a received message, a received call, a notification, and/or an alarm as visual notifications such as an icon **16**.

Additionally, in the third configuration, the second and the third regions **R2** and **R3** of the foldable display panel FP can provide a variety of information in addition to the aforementioned embodiments to the user in real time. However, the described technology is not limited to the aforementioned embodiments.

FIGS. **5A** and **5B** are perspective views illustrating a foldable display including a foldable display panel in a fourth configuration.

Referring to FIGS. **5A** and **5B**, the foldable display panel FP can be folded such that the first and second bodies **b1** and **b2** overlap each other and thus have a fourth configuration in which the second and third regions **R2** and **R3** are curved. When the second body **b2** overlaps the first body **b1** as illustrated in FIGS. **5A** and **5B**, the first region **R1**, the first body **b1**, the fourth region **R4**, and the second body **b2** can be sequentially stacked. When the first body **b1** overlaps the second body **b2**, the fourth region **R4**, the second body **b2**, the first region **R1**, and the first body **b1** can be sequentially stacked.

In the fourth configuration, as the second and third regions **R2** and **R3** are curved and are separated from the first and second bodies **b1** and **b2**, a predetermined space is formed inside the foldable display panel FP. At this time, the user may place a portion of their body in the formed space and thus wear the foldable display panel FP in the fourth configuration. In this embodiment, the foldable display **10-4** can perform a similar function to a wearable device. For example, the foldable display **10-4** can perform a similar function to a smart watch. Further, the first and second bodies **b1** and **b2** can be provided with coupling portions such that the fourth configuration is stably maintained.

In the fourth configuration, since it may be difficult for a user to view the first and fourth regions **R1** and **R4** of the foldable display panel FP, the first and fourth regions **R1** and **R4** can be inactivated in order to reduce power consumption. The aforementioned embodiments relating to FIGS. **4A** and **4B** can be applied to the selectively activated second and third regions **R2** and **R3** in a similar manner. For example, information on current surrounding environments **15** and visual notifications **16** relating to incoming events can be provided to the second and third regions **R2** and **R3**. However, the described technology is not limited to the aforementioned embodiments. In another embodiment, in the fourth configuration, the second and the third regions **R2** and **R3** of the foldable display panel FP can provide a variety of information to the user in real time.

FIG. **6** is a block diagram of a foldable display according to an embodiment. Depending on embodiments, certain elements may be removed from or additional elements may be added to the foldable display **10** illustrated in FIG. **6**. Furthermore, two or more elements may be combined into a single element, or a single element may be realized as multiple elements.

Referring to FIG. **6**, the foldable display **10** includes a foldable display panel FP, a folding sensor SEN, and a controller CON.

The foldable display panel FP can display an image. The foldable display panel FP refers to a display manufactured

on a flexible substrate that is bendable, foldable, or rollable without a loss of display properties. For example, the foldable display panel FP can be an organic light-emitting diode (OLED) display or an electrophoretic display (EPD) panel. Therefore, when the foldable display **10** is folded, the display properties of the foldable display panel FP are not damaged.

As described above relating to FIGS. **1A** to **5B**, the foldable display panel FP can have the first to fourth regions **R1** to **R4** adjacent to each other in a horizontal direction. A first body **b1** and a second body **b2** can be respectively located on a rear surface of the first region **R1** and a rear surface of the fourth region **R4**.

The foldable display panel FP can have first and fourth configurations according to a folded configuration. The first configuration can be a configuration in which the foldable display panel FP is unfolded such that the first region **R1** and the fourth region **R4** are respectively supported by the first body **b1** and the second body **b2**. A description thereof is the same as the description in FIGS. **1A** and **1B**. The second configuration can be a configuration in which the foldable display panel FP is folded such that the first and second regions **R1** and **R2** and the third and fourth regions **R3** and **R4** are respectively supported by the first body **b1** and the second body **b2**. A description thereof is the same as the description in FIGS. **2A** and **2B**. The third configuration can be a configuration in which the foldable display is folded such that the first and second bodies **b1** and **b2** forms a right angle such that the second and third regions **R2** and **R3** are curved. A description thereof is the same as the description in FIGS. **4A** and **4B**. The fourth configuration can be a configuration in which the foldable display panel FP is folded such that the first and second bodies **b1** and **b2** overlap each other such that the second and third regions **R2** and **R3** are curved. A description thereof is the same as the description in FIGS. **5A** and **5B**.

The foldable display panel FP can include at least one touch sensor to sense various user inputs with respect to a surface of the foldable display panel FP.

The foldable display panel FP can communicate with the controller CON and can be controlled by the controller CON. In particular, in the foldable display panel FP, each region can be selectively activated according to the folded configuration by the controller CON, and a display operation of the activated region can be controlled.

The folding sensor SEN can sense the folded configuration of the foldable display panel FP. The folding sensor SEN can include various sensing units or sensors for sensing the folded configuration of the foldable display panel FP. For example, the folding sensor SEN can include a proximity sensor, a touch sensor, a piezo sensor, and/or a pressure sensor. The folding sensor SEN can be formed on the foldable display panel FP in order to sense the folded configuration of the foldable display panel FP.

The folding sensor SEN can communicate with the controller CON and can be controlled by the controller CON.

The controller CON can communicate with constituent elements of the foldable display **10**, for example, the foldable display panel FP and the folding sensor SEN to control the constituent elements.

In particular, in the present specification, the controller CON can communicate with the folding sensor SEN to detect the folded configuration of the foldable display panel FP. The controller CON can control display operations of the foldable display panel FP with respect to the folded configuration of the foldable display panel FP detected using the folding sensor SEN. The controller CON can control acti-

vation for each region of the foldable display panel FP according to the folded configuration and control a display operation of an activated region.

For example, when the controller CON detects a first configuration of the foldable display panel FP, the controller CON can activate the first to fourth regions **R1** to **R4**. When the controller CON detects a second configuration of the foldable display panel FP, the controller CON can activate the first to fourth regions **R1** to **R4** to function as a dual-side display. When the controller CON detects a conversion from the second configuration to the first configuration, the controller CON can additionally display interfaces with respect to images displayed in the second configuration on the first and fourth regions **R1** and **R4**. A detailed description thereof is the same as the description in the FIG. **3**.

When the controller CON detects the third and fourth configurations of the foldable display panel FP, the controller CON can activate the second and third regions **R2** and **R3**. In this embodiment, the second and third regions **R2** and **R3** can provide real-time information on the current surrounding environment and visual notifications relating to the incoming events. A description thereof is the same as the description in FIGS. **4A** to **5B**.

In the present specification, for convenience in description, the controller CON and the foldable display **10** have been described to be the same.

In FIG. **6**, respective blocks are constituent units of the foldable display **10** and are separately illustrated to be logically discriminated. Therefore, the constituent units of the display **10** described above can be mounted on a single chip or on a plurality of chips according to design considerations.

According to at least one embodiment, a foldable display can be converted to various configurations and provide various user interfaces such that a user can more efficiently and conveniently use the foldable display.

Although the respective drawings have been described individually for convenience of explanation, embodiments of the foldable display can be designed such that the embodiments illustrated in the respective drawings can be merged to realize a new embodiment. Further, the foldable display is not limited to the configurations and methods of the above-described embodiments, but all or some of the respective embodiments may be selectively combined and executed so that various modifications can be made within the scope of the described technology.

Although embodiments of the inventive technology have been illustrated and described, the invention is not limited to the above-mentioned embodiments and various modified embodiments may be available to those skilled in the art without the scope of the appended claims. In addition, these modified embodiments should not be appreciated separately from technical spirits or prospects of the inventive technology.

What is claimed is:

[1. A foldable display, comprising:

- a foldable display panel including: i) a first region and a second region adjacent to each other in a first direction, and ii) a third region and a fourth region adjacent to each other in the first direction;
 - a first support located on a rear surface of the first region; and
 - a second support located on a rear surface of the fourth region,
- wherein the foldable display panel is configured to be arranged in a first configuration in which the foldable display panel is unfolded so that i) the first support

11

supports the first region and the second support supports the fourth region and ii) the second and third regions are unsupported,

wherein the foldable display panel is further configured to be arranged in a second configuration in which the foldable display panel is folded so that the first support supports the first region and the second region and the second support supports the third region and the fourth region, and

wherein the second configuration is a configuration in which: i) the first region and the second region oppose each other with the first support therebetween and ii) the third region and the fourth region oppose each other with the second support therebetween.]

[2. The foldable display of claim 1, wherein the first support comprises a first coupling portion and the second support comprises a second coupling portion, wherein the first coupling portion and the second coupling portion are configured to be connected to each other in the second configuration of the foldable display panel.]

[3. The foldable display of claim 2, wherein the first coupling portion and the second coupling portion have different magnetic polarities from each other.]

[4. The foldable display of claim 2, wherein the second configuration is a configuration in which: i) the foldable display panel is folded along a boundary line between the first and second regions such that the first support is arranged on rear surfaces of the first and second regions to support the first and second regions at the same time, and ii) the foldable display is folded along a boundary line between the third and fourth regions such that the second support is arranged on rear surfaces of the third and fourth regions to support the third and fourth regions at the same time.]

[5. The foldable display of claim 2, wherein the foldable display panel is further configured to be arranged in a third configuration in which the first and second coupling portions are connected to each other such that the first support and the second support form a right angle and the second region and the third region are curved.]

[6. The foldable display of claim 5, wherein the foldable display panel is further configured to be arranged in a fourth configuration in which the foldable display panel is folded such that the first support and the second support overlap each other and the second region and the third region are curved.]

[7. The foldable display of claim 6, further comprising: a folding sensor configured to sense the configuration of the foldable display panel; and a controller configured to: i) communicate with the folding sensor to detect the configuration of the foldable display panel, and ii) control the foldable display panel based on the detected configuration.]

[8. The foldable display of claim 7, wherein the controller is further configured to control the foldable display panel such that the first region displays a first input interface and the fourth region displays a second input interface when the controller detects that the foldable display panel is in the second configuration.]

[9. The foldable display of claim 8, wherein the second input interface continues from the first input interface.]

[10. The foldable display of claim 9, wherein the first interface and the second interface are keyboard input interfaces.]

[11. The foldable display of claim 8, wherein the controller is further configured to control the foldable display panel such that the first region displays the first input interface and the fourth region displays the second input interface when

12

the controller detects a conversion of the foldable display panel from the first configuration to the second configuration, and wherein the first input interface and the second input interface are interfaces that are based on images displayed by the second and third regions in the first configuration.]

[12. The foldable display of claim 7, wherein the controller is further configured to control the foldable display panel such that the second and third regions are activated when the controller detects that the foldable display panel is in the third configuration.]

[13. The foldable display of claim 7, wherein the controller is further configured to control the foldable display panel such that the first or fourth region is inactive when the controller detects that the foldable display panel is in the fourth configuration.]

[14. The foldable display of claim 1, wherein sizes of the first and second regions are substantially the same, and sizes of the third and fourth regions are substantially the same.]

[15. A foldable display, comprising:

a foldable display panel including: i) a first region and a second region adjacent to each other in a first direction, and ii) a third region and a fourth region adjacent to each other in the first direction;

a first support located on a rear surface of the first region; and

a second support located on a rear surface of the fourth region,

wherein the foldable display panel is configured to be arranged in a first configuration in which the foldable display panel is unfolded so that the first support supports the first region and the second support supports the fourth region,

wherein the foldable display panel is further configured to be arranged in a second configuration in which the foldable display panel is folded so that the first support supports the first region and the second region and the second support supports the third region and the fourth region,

wherein the second configuration is a configuration in which: i) the first region and the second region oppose each other with the first support therebetween and ii) the third region and the fourth region oppose each other with the second support therebetween, and

wherein, in the second configuration, the first support contacts the first region and the second region, and the second support contacts the third region and the fourth region.]

16. A foldable display, comprising:

a display panel comprising a first display area, a second display area adjacent to the first display area and having an area larger than that of the first display area, and a third display area adjacent to the second display area and having an area smaller than that of the second display area, each of the first through third display areas being configured to display images using light-emitting elements; and

a first support disposed below the first display area that keeps the first display area flat, the first support defining a boundary between the first display area and the second display area where the display panel folds, wherein

the display panel is configured to be arranged in a folded configuration, and an unfolded configuration in which

the second display area is unsupported, and the first to the third display areas are exposed to an outside of the display panel when the display panel is

13

folded in the folded configuration such that the first display area and the third display area are disposed beneath and oppose the second display area with the first support between the first and second display areas and a second support between the third and second display areas.

17. *The foldable display of claim 16, wherein the first display area, the second display area, and the third display area are configured to display an image through a continuously extended area.*

18. *The foldable display of claim 16, wherein: the second support is disposed below the third display area.*

19. *The foldable display of claim 18, wherein the first support supports the first display area in the unfolded configuration, and the second support supports the third display area in the unfolded configuration.*

20. *The foldable display of claim 16, wherein the display panel is configured to display an image through the second display area in the folded configuration.*

14

21. *The foldable display of claim 16, wherein the display panel is configured to display an image through the first display area, the second display area, and the third display area in the unfolded configuration.*

22. *The foldable display of claim 16, wherein the display panel is configured to display an image through the first display area, the second display area, and the third display area in the folded configuration and the unfolded configuration.*

23. *The foldable display of claim 16, wherein the display panel is further configured to be arranged in a curved configuration in which the second display area of the display panel is curved, and the first display area and the third display area overlap each other in the curved configuration.*

24. *The foldable display of claim 16, wherein the second support is disposed below the third display area to keep the third display area flat, the second support defining a boundary between the third display area and the second display area where the display panel folds.*

* * * * *