



US00RE49137E

(19) **United States**  
(12) **Reissued Patent**  
Lewis et al.

(10) **Patent Number:** **US RE49,137 E**  
(45) **Date of Reissued Patent:** **\*Jul. 12, 2022**

(54) **ILLUMINATION DEVICE AND METHOD FOR AVOIDING AN OVER-POWER OR OVER-CURRENT CONDITION IN A POWER CONVERTER**

(71) Applicant: **Lutron Technology Company LLC**,  
Coopersburg, PA (US)

(72) Inventors: **Jason Lewis**, Driftwood, TX (US);  
**Ryan Matthew Boccock**, Austin, TX (US);  
**Joseph Savage**, Cedar Park, TX (US);  
**Jivan James Luu**, Austin, TX (US);  
**David Knapp**, Austin, TX (US)

(73) Assignee: **Lutron Technology Company LLC**,  
Coopersburg, PA (US)

(\*) Notice: This patent is subject to a terminal disclaimer.

(21) Appl. No.: **16/178,185**

(22) Filed: **Nov. 1, 2018**

**Related U.S. Patent Documents**

Reissue of:

(64) Patent No.: **9,485,813**  
Issued: **Nov. 1, 2016**  
Appl. No.: **14/604,870**  
Filed: **Jan. 26, 2015**

(51) **Int. Cl.**  
**H05B 33/08** (2020.01)  
**H05B 45/28** (2020.01)  
(Continued)

(52) **U.S. Cl.**  
CPC ..... **H05B 45/28** (2020.01); **H05B 45/18**  
(2020.01); **H05B 45/375** (2020.01); **H05B**  
**45/44** (2020.01);  
(Continued)

(58) **Field of Classification Search**  
CPC ..... **H05B 33/0809**; **H05B 33/0824**; **H05B**  
**33/0829**; **H05B 33/0854**; **H05B 33/0872**  
(Continued)

(56) **References Cited**

U.S. PATENT DOCUMENTS

4,029,976 A 6/1977 Fish et al.  
4,402,090 A 8/1983 Gfeller et al.  
(Continued)

FOREIGN PATENT DOCUMENTS

CN 1291282 4/2001  
CN 1396616 2/2003  
(Continued)

OTHER PUBLICATIONS

International Search Report & Written Opinion, PCT/US2010/000219, dated Oct. 12, 2010.

(Continued)

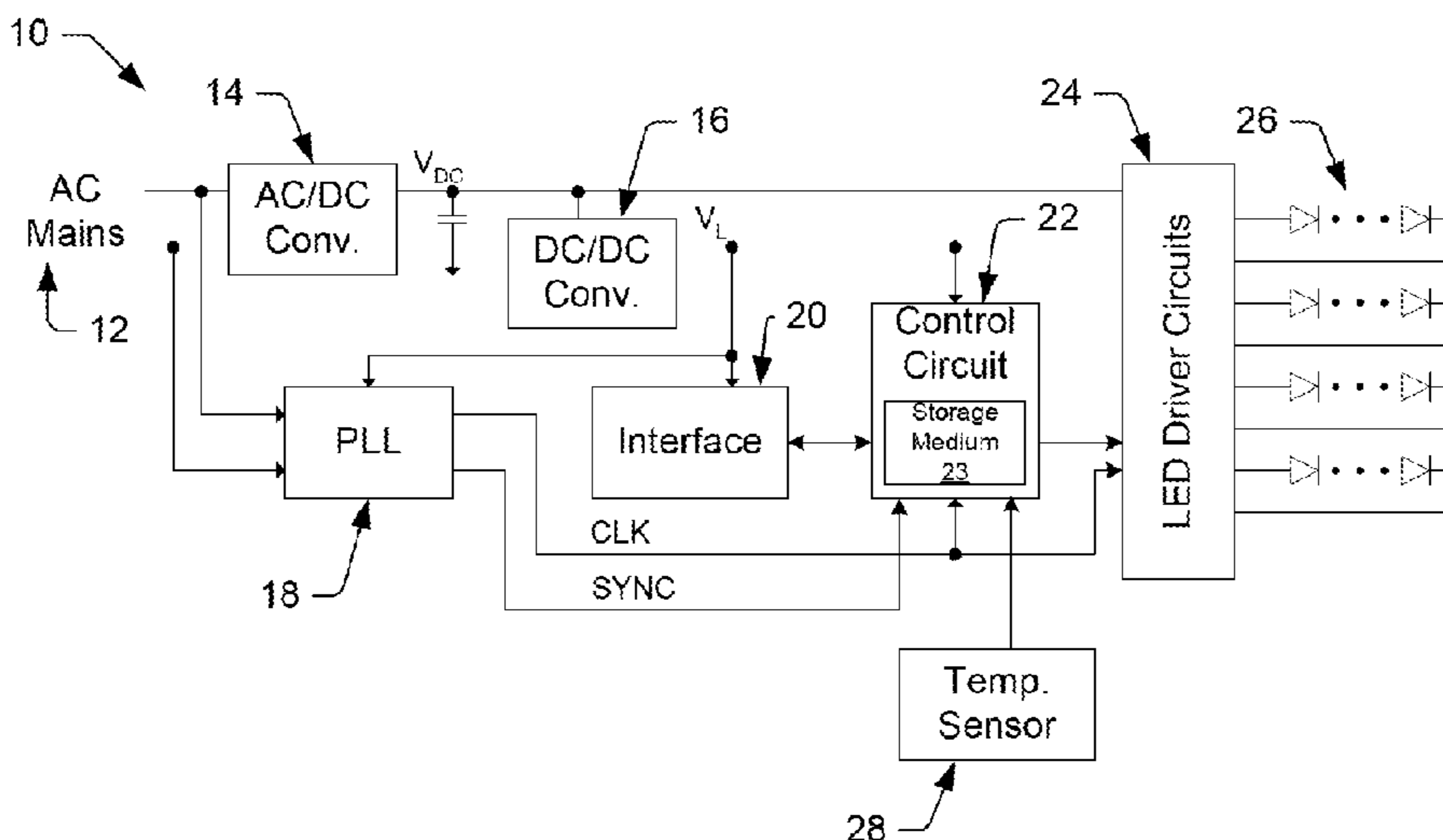
*Primary Examiner* — My Trang Ton

(74) *Attorney, Agent, or Firm* — Condo Roccia Koptiw LLP

(57) **ABSTRACT**

An illumination device and methods are provided herein for avoiding over-current and over-power conditions in one or more power converters included within the illumination device. The illumination device may include at least a plurality of light emitting diode (LED) chains, a driver circuit, at least one power converter, and a control circuit. In some embodiments, the control circuit may be generally configured for determining a maximum safe current level and/or a maximum safe power level attributed to the power converter(s) at a present operating temperature, and for adjusting respective drive currents supplied to the plurality of LED chains by the driver circuit, so as not to exceed the maximum safe current level or the maximum safe power level at the present operating temperature. In some embodiments, a temperature sensor may be included within the illumination device for measuring the operating temperature presently associated with the power converter(s).

**25 Claims, 10 Drawing Sheets**



**US RE49,137 E**

(51)	<b>Int. Cl.</b>							
	<i>H05B 45/50</i>	(2022.01)	6,982,528	B2	1/2006	Cottongim et al.		
	<i>H05B 45/44</i>	(2020.01)	7,006,768	B1	2/2006	Franklin		
	<i>H05B 45/18</i>	(2020.01)	7,014,336	B1	3/2006	Ducharme et al.		
	<i>H05B 45/375</i>	(2020.01)	7,038,399	B2	5/2006	Lys et al.		
	<i>H05B 45/12</i>	(2020.01)	7,046,160	B2	5/2006	Pederson et al.		
	<i>H05B 45/3725</i>	(2020.01)	7,072,587	B2	7/2006	Dietz et al.		
			7,088,031	B2	8/2006	Brantner et al.		
			7,119,500	B2	10/2006	Young		
(52)	<b>U.S. Cl.</b>		7,135,824	B2	11/2006	Lys et al.		
	CPC .....	<i>H05B 45/50</i> (2020.01); <i>H05B 45/12</i> (2020.01); <i>H05B 45/3725</i> (2020.01)	7,161,311	B2	1/2007	Mueller et al.		
(58)	<b>Field of Classification Search</b>		7,166,966	B2	1/2007	Naugler, Jr. et al.		
	USPC ....	315/148–158, 185 R, 291, 307, 308, 312, 315/360, 362	7,194,209	B1	3/2007	Robbins et al.		
	See application file for complete search history.		7,233,115	B2	6/2007	Lys		
			7,233,831	B2	6/2007	Blackwell		
			7,252,408	B2	8/2007	Mazzochette et al.		
			7,255,458	B2	8/2007	Ashdown		
			7,256,554	B2	8/2007	Lys		
			7,262,559	B2	8/2007	Tripathi et al.		
			7,294,816	B2	11/2007	Ng et al.		
(56)	<b>References Cited</b>		7,315,139	B1	1/2008	Selvan et al.		
	<b>U.S. PATENT DOCUMENTS</b>		7,319,298	B2	1/2008	Jungwirth et al.		
			7,329,998	B2	2/2008	Jungwirth		
	4,713,841	A	7,330,002	B2	2/2008	Joung		
	4,745,402	A	7,330,662	B2	2/2008	Zimmerman		
	4,809,359	A	7,352,972	B2	4/2008	Franklin		
	5,018,057	A	7,358,706	B2	4/2008	Lys		
	5,103,466	A	7,359,640	B2	4/2008	Onde et al.		
	5,181,015	A	7,362,320	B2	4/2008	Payne et al.		
	5,193,201	A	7,372,859	B2	5/2008	Hall et al.		
	5,218,356	A	7,400,310	B2	7/2008	LeMay		
	5,299,046	A	7,436,131	B2	10/2008	Cottongim et al.		
	5,317,441	A	7,445,340	B2	11/2008	Conner et al.		
	5,541,759	A	7,511,695	B2	3/2009	Furukawa et al.		
	5,619,262	A	7,525,611	B2	4/2009	Zagar et al.		
	5,657,145	A	7,554,514	B2	6/2009	Nozawa		
	5,797,085	A	7,573,210	B2	8/2009	Ashdown et al.		
	5,905,445	A	7,583,901	B2	9/2009	Nakagawa et al.		
	6,016,038	A	7,606,451	B2	10/2009	Morita		
	6,067,595	A	7,607,798	B2	10/2009	Panotopoulos		
	6,069,929	A	7,619,193	B2	11/2009	Deurenberg		
	6,084,231	A	7,649,527	B2	1/2010	Cho et al.		
	6,094,014	A	7,659,672	B2	2/2010	Yang		
	6,094,340	A	7,675,250	B2	3/2010	Chitta et al.		
	6,108,114	A	7,683,864	B2	3/2010	Lee et al.		
	6,127,783	A	7,701,151	B2	4/2010	Petrucci et al.		
	6,147,458	A	7,737,936	B2	6/2010	Daly		
	6,150,774	A	7,828,479	B1	11/2010	Aslan et al.		
	6,234,645	B1	7,911,156	B2	3/2011	Cottongim et al.		
	6,234,648	B1	7,940,015	B2	5/2011	Chitta et al.		
	6,250,774	B1	8,013,538	B2	9/2011	Zampini et al.		
	6,333,605	B1	8,018,135	B2	9/2011	Van De Ven et al.		
	6,344,641	B1	8,040,299	B2	10/2011	Kretz et al.		
	6,356,774	B1	8,044,899	B2	10/2011	Ng et al.		
	6,359,712	B1	8,044,918	B2	10/2011	Choi		
	6,384,545	B1	8,057,072	B2	11/2011	Takenaka et al.		
	6,396,815	B1	8,075,182	B2	12/2011	Dai et al.		
	6,414,661	B1	8,076,869	B2	12/2011	Shatford et al.		
	6,441,558	B1	8,159,150	B2	4/2012	Ashdown et al.		
	6,448,550	B1	8,174,197	B2	5/2012	Ghanem et al.		
	6,495,964	B1	8,174,205	B2	5/2012	Myers et al.		
	6,498,440	B2	8,283,876	B2	10/2012	Ji		
	6,513,949	B1	8,299,722	B2	10/2012	Melanson		
	6,577,512	B2	8,362,707	B2	1/2013	Draper et al.		
	6,617,795	B2	8,471,496	B2	6/2013	Knapp		
	6,636,003	B2	8,521,035	B2	8/2013	Knapp et al.		
	6,639,574	B2	8,556,438	B2	10/2013	McKenzie et al.		
	6,664,744	B2	8,569,974	B2	10/2013	Chobot		
	6,692,136	B2	8,595,748	B1	11/2013	Haggerty et al.		
	6,741,351	B2	8,633,655	B2	1/2014	Kao et al.		
	6,753,661	B2	8,653,758	B2	2/2014	Radermacher et al.		
	6,788,011	B2	8,680,787	B2	3/2014	Veskovic		
	6,806,659	B1	8,704,666	B2	4/2014	Baker, Jr.		
	6,831,569	B2	8,721,115	B2	5/2014	Ing et al.		
	6,831,626	B2	8,748,172	B2	6/2014	Ferreira et al.		
	6,853,150	B2	8,749,172	B2	6/2014	Knapp		
	6,879,263	B2	8,773,032	B2	7/2014	May et al.		
	6,965,205	B2	8,791,647	B2	7/2014	Kesterson et al.		
	6,969,954	B2	8,816,600	B2	8/2014	Elder		
	6,975,079	B2	8,911,160	B2	12/2014	Seo et al.		

(56)

References Cited

U.S. PATENT DOCUMENTS

9,237,612 B1 \* 1/2016 Lewis ..... H05B 45/37  
 9,237,623 B1 \* 1/2016 Lewis ..... H05B 45/37  
 10,161,786 B2 \* 12/2018 Chang ..... G01J 1/0252  
 2001/0020123 A1 9/2001 Diab et al.  
 2001/0030668 A1 10/2001 Erten et al.  
 2002/0014643 A1 2/2002 Kubo et al.  
 2002/0033981 A1 3/2002 Keller et al.  
 2002/0047624 A1 4/2002 Stam et al.  
 2002/0049933 A1 4/2002 Nyu  
 2002/0134908 A1 9/2002 Johnson  
 2002/0138850 A1 9/2002 Basil et al.  
 2002/0171608 A1 11/2002 Kanai et al.  
 2003/0103413 A1 6/2003 Jacobi, Jr. et al.  
 2003/0122749 A1 7/2003 Booth, Jr. et al.  
 2003/0133491 A1 7/2003 Shih  
 2003/0179721 A1 9/2003 Shurmantine et al.  
 2004/0044709 A1 3/2004 Cabrera et al.  
 2004/0052076 A1 3/2004 Mueller et al.  
 2004/0052299 A1 3/2004 Jay et al.  
 2004/0101312 A1 5/2004 Cabrera  
 2004/0136682 A1 7/2004 Watanabe  
 2004/0201793 A1 10/2004 Anandan et al.  
 2004/0220922 A1 11/2004 Lovison et al.  
 2004/0257311 A1 12/2004 Kanai et al.  
 2005/0004727 A1 1/2005 Remboski et al.  
 2005/0030203 A1 2/2005 Sharp et al.  
 2005/0030267 A1 2/2005 Tanghe et al.  
 2005/0053378 A1 3/2005 Stanchfield et al.  
 2005/0077838 A1 4/2005 Blumel  
 2005/0110777 A1 5/2005 Geaghan et al.  
 2005/0169643 A1 8/2005 Franklin  
 2005/0200292 A1 9/2005 Naugler, Jr. et al.  
 2005/0207157 A1 9/2005 Tani  
 2005/0242742 A1 11/2005 Cheang et al.  
 2005/0265731 A1 12/2005 Keum et al.  
 2006/0145887 A1 7/2006 McMahon  
 2006/0164291 A1 7/2006 Gunnarsson  
 2006/0198463 A1 9/2006 Godin  
 2006/0220990 A1 10/2006 Coushaine et al.  
 2006/0227085 A1 10/2006 Boldt, Jr. et al.  
 2007/0040512 A1 2/2007 Jungwirth et al.  
 2007/0109239 A1 5/2007 den Boer et al.  
 2007/0132592 A1 6/2007 Stewart et al.  
 2007/0139957 A1 6/2007 Haim et al.  
 2007/0248180 A1 10/2007 Bowman et al.  
 2007/0254694 A1 11/2007 Nakagwa et al.  
 2007/0279346 A1 12/2007 den Boer et al.  
 2008/0061717 A1 3/2008 Bogner et al.  
 2008/0107029 A1 5/2008 Hall et al.  
 2008/0120559 A1 5/2008 Yee  
 2008/0136334 A1 6/2008 Robinson et al.  
 2008/0136770 A1 6/2008 Peker et al.  
 2008/0136771 A1 6/2008 Chen et al.  
 2008/0150864 A1 6/2008 Bergquist  
 2008/0186898 A1 8/2008 Petite  
 2008/0222367 A1 9/2008 Co  
 2008/0235418 A1 9/2008 Werthen et al.  
 2008/0253766 A1 10/2008 Yu et al.  
 2008/0265799 A1 10/2008 Sibert  
 2008/0290804 A1 \* 11/2008 Santo ..... H05B 33/0854  
 315/158  
 2008/0297070 A1 12/2008 Kuenzler et al.  
 2008/0304833 A1 12/2008 Zheng  
 2008/0309255 A1 12/2008 Myers et al.  
 2008/0317475 A1 12/2008 Pederson et al.  
 2009/0026978 A1 1/2009 Robinson  
 2009/0040154 A1 2/2009 Scheibe  
 2009/0049295 A1 2/2009 Erickson et al.  
 2009/0051496 A1 2/2009 Pahlavan et al.  
 2009/0121238 A1 5/2009 Peck  
 2009/0171571 A1 7/2009 Son et al.  
 2009/0189530 A1 \* 7/2009 Ashdown ..... H05B 33/0818  
 315/152  
 2009/0196282 A1 8/2009 Fellman et al.  
 2009/0245101 A1 10/2009 Kwon et al.

2009/0278789 A1 11/2009 Declercq et al.  
 2009/0284511 A1 11/2009 Takasugi et al.  
 2009/0303972 A1 12/2009 Flammer, III et al.  
 2010/0005533 A1 1/2010 Shamir  
 2010/0054748 A1 3/2010 Sato  
 2010/0061734 A1 3/2010 Knapp  
 2010/0096447 A1 4/2010 Kwon et al.  
 2010/0134021 A1 6/2010 Ayres  
 2010/0134024 A1 6/2010 Brandes  
 2010/0141159 A1 6/2010 Shiu et al.  
 2010/0182294 A1 7/2010 Roshan et al.  
 2010/0188443 A1 7/2010 Lewis et al.  
 2010/0188972 A1 7/2010 Knapp  
 2010/0194299 A1 8/2010 Ye et al.  
 2010/0213856 A1 8/2010 Mizusako  
 2010/0272437 A1 10/2010 Yoon et al.  
 2010/0301777 A1 12/2010 Kraemer  
 2010/0327764 A1 12/2010 Knapp  
 2011/0031894 A1 2/2011 Van De Ven  
 2011/0044343 A1 2/2011 Sethuram et al.  
 2011/0052214 A1 3/2011 Shimada et al.  
 2011/0062874 A1 3/2011 Knapp  
 2011/0063214 A1 3/2011 Knapp  
 2011/0063268 A1 3/2011 Knapp  
 2011/0068699 A1 3/2011 Knapp  
 2011/0069094 A1 3/2011 Knapp  
 2011/0069960 A1 3/2011 Knapp et al.  
 2011/0133654 A1 6/2011 McKenzie et al.  
 2011/0148315 A1 6/2011 Van Der Veen et al.  
 2011/0150028 A1 6/2011 Nguyen et al.  
 2011/0248640 A1 10/2011 Welten  
 2011/0253915 A1 10/2011 Knapp  
 2011/0299854 A1 12/2011 Jonsson et al.  
 2011/0309754 A1 12/2011 Ashdown et al.  
 2012/0056545 A1 3/2012 Radermacher et al.  
 2012/0153839 A1 6/2012 Farley et al.  
 2012/0229032 A1 9/2012 Van De Ven et al.  
 2012/0299481 A1 11/2012 Stevens  
 2012/0306370 A1 12/2012 Van De Ven et al.  
 2012/0319604 A1 \* 12/2012 Walters ..... H02M 3/1582  
 315/200 R  
 2013/0016978 A1 1/2013 Son et al.  
 2013/0088522 A1 4/2013 Gettemy et al.  
 2013/0201690 A1 8/2013 Vissenberg et al.  
 2013/0257314 A1 10/2013 Alvord et al.  
 2013/0293147 A1 11/2013 Rogers et al.  
 2013/0393147 11/2013 Rogers et al.  
 2014/0028377 A1 1/2014 Rosik et al.  
 2015/0022110 A1 1/2015 Sisto

FOREIGN PATENT DOCUMENTS

CN 1573881 2/2005  
 CN 1650673 8/2005  
 CN 1849707 10/2006  
 CN 101083866 12/2007  
 CN 101150904 3/2008  
 CN 101331798 12/2008  
 CN 101458067 6/2009  
 EP 0196347 10/1986  
 EP 0456462 11/1991  
 EP 2273851 1/2011  
 GB 2307577 5/1997  
 JP 06-302384 10/1994  
 JP 08-201472 8/1996  
 JP 11-025822 1/1999  
 JP 2001-514432 9/2001  
 JP 2004-325643 11/2004  
 JP 2005-539247 12/2005  
 JP 2006-260927 9/2006  
 JP 2007-266974 10/2007  
 JP 2007-267037 10/2007  
 JP 2008-507150 3/2008  
 JP 2008-300152 12/2008  
 JP 2009-134877 6/2009  
 WO 00/37904 6/2000  
 WO 03/075617 9/2003  
 WO 2005/024898 3/2005  
 WO 2007/069149 6/2007

(56)

**References Cited**

## FOREIGN PATENT DOCUMENTS

WO	2008/065607	6/2008
WO	2008/129453	10/2008
WO	2010/124315	11/2010
WO	2012/005771	1/2012
WO	2012/042429	4/2012
WO	2013/142437	9/2013

## OTHER PUBLICATIONS

International Search Report & Written Opinion, PCT/US2010/002171, dated Nov. 24, 2010.

International Search Report & Written Opinion, PCT/US2010/004953, dated Mar. 22, 2010.

International Search Report & Written Opinion, PCT/US2010/001919, dated Feb. 24, 2011.

Office Action dated May 12, 2011 for U.S. Appl. No. 12/360,467.

Final Office Action dated Nov. 28, 2011 for U.S. Appl. No. 12/360,467.

Notice of Allowance dated Jan. 20, 2012 for U.S. Appl. No. 12/360,467.

Office Action dated Feb. 1, 2012 for U.S. Appl. No. 12/584,143.

Final Office Action dated Sep. 12, 2012 for U.S. Appl. No. 12/584,143.

Office Action dated Aug. 2, 2012 for U.S. Appl. No. 12/806,114.

Office Action dated Oct. 2, 2012 for U.S. Appl. No. 12/806,117.

Office Action dated Jul. 11, 2012 for U.S. Appl. No. 12/806,121.

Final Office Action dated Oct. 11, 2012 for U.S. Appl. No. 12/806,121.

Office Action dated Dec. 17, 2012 for U.S. Appl. No. 12/806,118.

Office Action dated Oct. 9, 2012 for U.S. Appl. No. 12/806,126.

Office Action dated Jul. 10, 2012 for U.S. Appl. No. 12/806,113.

Notice of Allowance dated Oct. 15, 2012 for U.S. Appl. No. 12/806,113.

International Search Report & Written Opinion dated Sep. 19, 2012 for PCT/US2012/045392.

Partial International Search Report dated Nov. 16, 2012 for PCT/US2012/052774.

Office Action dated Nov. 4, 2013 for CN Application No. 201080032373.7.

Office Action dated Dec. 4, 2013 for U.S. Appl. No. 12/803,805.

Notice of Allowance dated Jan. 28, 2014 for U.S. Appl. No. 13/178,686.

Notice of Allowance dated Feb. 21, 2014 for U.S. Appl. No. 12/806,118.

Office Action dated Apr. 22, 2014 for U.S. Appl. No. 12/806,114.

International Search Report & Written Opinion for PCT/US2012/052774 dated Feb. 4, 2013.

Notice of Allowance dated Feb. 4, 2013 for U.S. Appl. No. 12/809,113.

Notice of Allowance dated Feb. 25, 2013 for U.S. Appl. No. 12/806,121.

Notice of Allowance dated May 3, 2013 for U.S. Appl. No. 12/806,126.

International Search Report & Written Opinion, PCT/US2013/027157, dated May 16, 2013.

Office Action dated Jun. 10, 2013 for U.S. Appl. No. 12/924,628.

Office Action dated Jun. 27, 2013 for U.S. Appl. No. 13/178,686.

Final Office Action dated Jul. 9, 2013 for U.S. Appl. No. 12/806,118.

Final Office Action dated Jun. 14, 2013 for U.S. Appl. No. 12/806,117.

Johnson, "Visibile Light Communications," CTC Tech Brief, Nov. 2009, 2 pages.

Chonko, "Use Forward Voltage Drop to Measure Junction Temperature," © 2013 Penton Media, Inc., 5 pages.

Office Action dated Oct. 24, 2013 for U.S. Appl. No. 12/806,117.

Notice of Allowance dated Oct. 31, 2013 for U.S. Appl. No. 12/924,628.

Office Action dated Nov. 12, 2013 for U.S. Appl. No. 13/231,077.

Final Office Action dated Jun. 18, 2014 for U.S. Appl. No. 13/231,077.

Office Action dated Jun. 23, 2014 for U.S. Appl. No. 12/806,117.

Notice of Allowance dated Aug. 21, 2014 for U.S. Appl. No. 12/584,143.

Office Action dated Sep. 10, 2014 for U.S. Appl. No. 12/803,805.

Office Action dated Feb. 2, 2015 for CN Application 201080035731.

Office Action dated Jul. 1, 2014 for JP Application 2012-520587.

Office Action dated Feb. 17, 2015 for JP Application 2012-520587.

Office Action dated Mar. 11, 2014 for JP Application 2012-523605.

Office Action dated Sep. 24, 2014 for JP Application 2012-523605.

Office Action dated Mar. 25, 2015 for U.S. Appl. No. 14/305,472.

Notice of Allowance dated Mar. 30, 2015 for U.S. Appl. No. 14/097,355.

Office Action dated Apr. 8, 2015 for U.S. Appl. No. 14/305,456.

Notice of Allowance dated May 22, 2015 for U.S. Appl. No. 14/510,212.

Office Action dated May 27, 2015 for U.S. Appl. No. 12/806,117.

Partial International Search Report dated Mar. 27, 2015 for PCT/US2014/068556.

"LED Fundamentals, How to Read a Datasheet (Part 2 of 2) Characteristic Curves, Dimensions and Packaging," Aug. 19, 2011, OSRAM Opto Semiconductors, 17 pages.

International Search Report & Written Opinion for PCT/US2014/068556 dated Jun. 22, 2015.

Final Office Action for U.S. Appl. No. 12/803,805 dated Jun. 23, 2015.

Office Action for U.S. Appl. No. 13/970,964 dated Jun. 29, 2015.

Office Action for U.S. Appl. No. 14/510,243 dated Jul. 28, 2015.

Office Action for U.S. Appl. No. 14/510,266 dated Jul. 31, 2015.

Office Action for U.S. Appl. No. 13/970,990 dated Aug. 20, 2015.

Partial International Search Report for PCT/US2015/037660 dated Aug. 21, 2015.

Final Office Action for U.S. Appl. No. 13/773,322 dated Sep. 2, 2015.

Notice of Allowance for U.S. Appl. No. 13/970,944 dated Sep. 11, 2015.

Notice of Allowance for U.S. Appl. No. 14/604,886 dated Sep. 25, 2015.

Notice of Allowance for U.S. Appl. No. 14/604,881 dated Oct. 9, 2015.

International Search Report & Written Opinion for PCT/US2015/037660 dated Oct. 28, 2015.

Office Action for U.S. Appl. No. 14/573,207 dated Nov. 4, 2015.

Notice of Allowance for U.S. Appl. No. 14/510,243 dated Nov. 6, 2015.

Notice of Allowance for U.S. Appl. No. 12/806,117 dated Nov. 18, 2015.

Partial International Search Report for PCT/US2015/045252 dated Nov. 18, 2015.

Office Action dated Mar. 6, 2015 for U.S. Appl. No. 13/733,322.

Office Action for U.S. Appl. No. 14/510,238 dated Jul. 29, 2015.

Final Office Action dated Jan. 28, 2015 for U.S. Appl. No. 12/806,117.

Final Office Action mailed Jan. 28, 2015 for U.S. Appl. No. 12/806,117.

Office Action mailed Mar. 6, 2015 for U.S. Appl. No. 13/773,322.

Office Action mailed Feb. 2, 2015 for CN Application 201080035731.X.

Office Action mailed Jul. 1, 2014 for JP Application 2012-520587.

Office Action mailed Feb. 17, 2015 for JP Application 2012-520587.

"Color Management of a Red, Green, and Blue LED Combinational Light Source," Avago Technologies, Mar. 2010, pp. 1-8.

Office Action mailed Mar. 11, 2014 for JP Application 2012-523605.

Office Action mailed Sep. 24, 2014 for JP Application 2012-523605.

Office Action mailed Mar. 25, 2015 for U.S. Appl. No. 14/305,472.

Notice of Allowance mailed Mar. 30, 2015 for U.S. Appl. 14/097,355.

Office Action mailed Apr. 8, 2015 for U.S. Appl. No. 14/305,456.

Office Action mailed May 27, 2015 for U.S. Appl. No. 12/806,117.

Partial International Search Report mailed Mar. 27, 2015 for PCT/US2014/068556.

Notice of Allowance mailed May 22, 2015 for U.S. Appl. No. 14/510,212.

"LED Fundamentals, How to Read a Datasheet, (Part 2 of 2) Characteristic Curves, Dimensions and Packaging," OSRAM Opto Semiconductors, Aug. 19, 2011.

International Search Report & Written Opinion for PCT/US2014/068556 mailed Jun. 22, 2015.

(56)

**References Cited**

## OTHER PUBLICATIONS

Final Office Action mailed Jun. 23, 2015 for U.S. Appl. No. 12/803,805.

Office Action mailed Jun. 29, 2015 for U.S. Appl. No. 13/970,964.

Office Action for U.S. Appl. No. 14/510,243 mailed Jul. 28, 2015.

Office Action for U.S. Appl. No. 14/510,283 mailed Jul. 29, 2015.

Office Action for U.S. Appl. No. 14/510,266 mailed Jul. 31, 2015.

Office Action for U.S. Appl. No. 13/970,990 mailed Aug. 20, 2015.

Partial International Search Report for PCT/US2015/037660 mailed Aug. 21, 2015.

Final Office Action for U.S. Appl. No. 13/773,322 mailed Sep. 2, 2015.

Notice of Allowance for U.S. Appl. No. 13/970,944 mailed Sep. 11, 2015.

Bouchet et al., "Visible-light communication system enabling 73 Mb/s data streaming," IEEE Globecom Workshop on Optical Wireless Communications, 2010, pp. 1042-1046.

Notice of Allowance for U.S. Appl. No. 14/604,886 mailed Sep. 25, 2015.

Notice of Allowance for U.S. Appl. No. 14/604,881 mailed Oct. 9, 2015.

International Search Report & Written Opinion for PCT/US2015/037660 mailed Oct. 28, 2015.

Office Action for U.S. Appl. No. 14/573,207 mailed Nov. 4, 2015.

Notice of Allowance for U.S. Appl. No. 14/510,243 mailed Nov. 6, 2015.

Notice of Allowance for U.S. Appl. No. 12/806,117 mailed Nov. 18, 2015.

Partial International Search Report for PCT/US2015/045252 mailed Nov. 18, 2015.

Hall et al., "Jet Engine Control Using Ethernet with a BRAIN (Postprint)," AIAA/ASME/SAE/ASEE Joint Propulsion Conference and Exhibition, Jul. 2008, pp. 1-18.

Kebemou, "A Partitioning-Centric Approach for the Modeling and the Methodical Design of Automotive Embedded System Architectures," Dissertation of Technical University of Berlin, 2008, 176 pages.

O'Brien et al., "Visible Light Communications and Other Developments in Optical Wireless," Wireless World Research Forum, 2006, 26 pages.

Zalewski et al., "Safety Issues in Avionics and Automotive Databases," IFAC World Congress, Jul. 2005, 6 pages.

"Visible Light Communication: Tutorial," Project IEEE P802.15 Working Group for Wireless Personal Area Networks (WPANs), Mar. 2008.

Johnson, "Visible Light Communications," CTC Tech Brief, Nov. 2009, 2 pages.

Chonko, "Use Forward Voltage Drop to Measure Junction Temperature," Dec. 2005, (c) 2013 Penton Media, Inc., 5 pages.

International Search Report & Written Opinion, PCT/US2010/000219, mailed Oct. 12, 2010.

International Search Report & Written Opinion, PCT/US2010/002171, mailed Nov. 24, 2010.

International Search Report & Written Opinion, PCT/US2010/004953, mailed Mar. 22, 2010.

International Search Report & Written Opinion, PCT/US2010/001919, mailed Feb. 24, 2011.

Office Action mailed May 12, 2011 for U.S. Appl. No. 12/360,467.

Final Office Action mailed Nov. 28, 2011 for U.S. Appl. No. 12/360,467.

Notice of Allowance mailed Jan. 20, 2012 for U.S. Appl. No. 12/360,467.

Office Action Mailed Feb. 1, 2012 for U.S. Appl. No. 12/584,143.

Final Office Action Mailed Sep. 12, 2012 for U.S. Appl. No. 12/584,143.

Office Action Mailed Aug. 2, 2012 for U.S. Appl. No. 12/806,114.

Office Action Mailed Oct. 2, 2012 for U.S. Appl. No. 12/806,117.

Office Action Mailed Jul. 11, 2012 for U.S. Appl. No. 12/806,121.

Final Office Action Mailed Oct. 11, 2012 for U.S. Appl. No. 12/806,121.

Office Action mailed Dec. 17, 2012 for U.S. Appl. No. 12/806,118.

Office Action mailed Oct. 9, 2012 for U.S. Appl. No. 12/806,126.

Office Action mailed Jul. 10, 2012 for U.S. Appl. No. 12/806,113.

Notice of Allowance mailed Oct. 15, 2012 for U.S. Appl. No. 12/806,113.

International Search Report & Written Opinion mailed Sep. 19, 2012 for PCT/US2012/045392.

Partial International Search Report mailed Nov. 16, 2012 for PCT/US2012/052774.

International Search Report & Written Opinion for PCT/US2012/052774 mailed Feb. 4, 2013.

Notice of Allowance mailed Feb. 4, 2013 for U.S. Appl. No. 12/806,113.

Notice of Allowance mailed Feb. 25, 2013 for U.S. Appl. No. 12/806,121.

Notice of Allowance mailed May 3, 2013 for U.S. Appl. No. 12/806,126.

International Search Report & Written Opinion, PCT/US2013/027157, May 16, 2013.

Office Action mailed Jun. 10, 2013 for U.S. Appl. No. 12/924,628.

Final Office Action mailed Jun. 14, 2013 for U.S. Appl. No. 12/806,117.

Office Action mailed Jun. 27, 2013 for U.S. Appl. No. 13/178,686.

Final Office Action mailed Jul. 9, 2013 for U.S. Appl. No. 12/806,118.

Office Action mailed Oct. 24, 2013 for U.S. Appl. No. 12/806,117.

Notice of Allowance mailed Oct. 31, 2013 for U.S. Appl. No. 12/924,628.

Office Action mailed Nov. 12, 2013 for U.S. Appl. No. 13/231,077.

Office Action mailed Dec. 4, 2013 for U.S. Appl. No. 12/803,805.

Office Action mailed Nov. 4, 2013 for CN Application No. 201080032373.7.

Notice of Allowance mailed Jan. 28, 2014 for U.S. Appl. No. 13/178,686.

Notice of Allowance mailed Feb. 21, 2014 for U.S. Appl. No. 12/806,118.

Office Action mailed Apr. 22, 2014 for U.S. Appl. No. 12/806,114.

Final Office Action mailed Jun. 18, 2014 for U.S. Appl. No. 13/231,077.

Office Action mailed Jun. 23, 2014 for U.S. Appl. No. 12/806,117.

Notice of Allowance mailed Aug. 21, 2014 for U.S. Appl. No. 12/584,143.

Office Action mailed Sep. 10, 2014 for U.S. Appl. No. 12/803,805.

\* cited by examiner

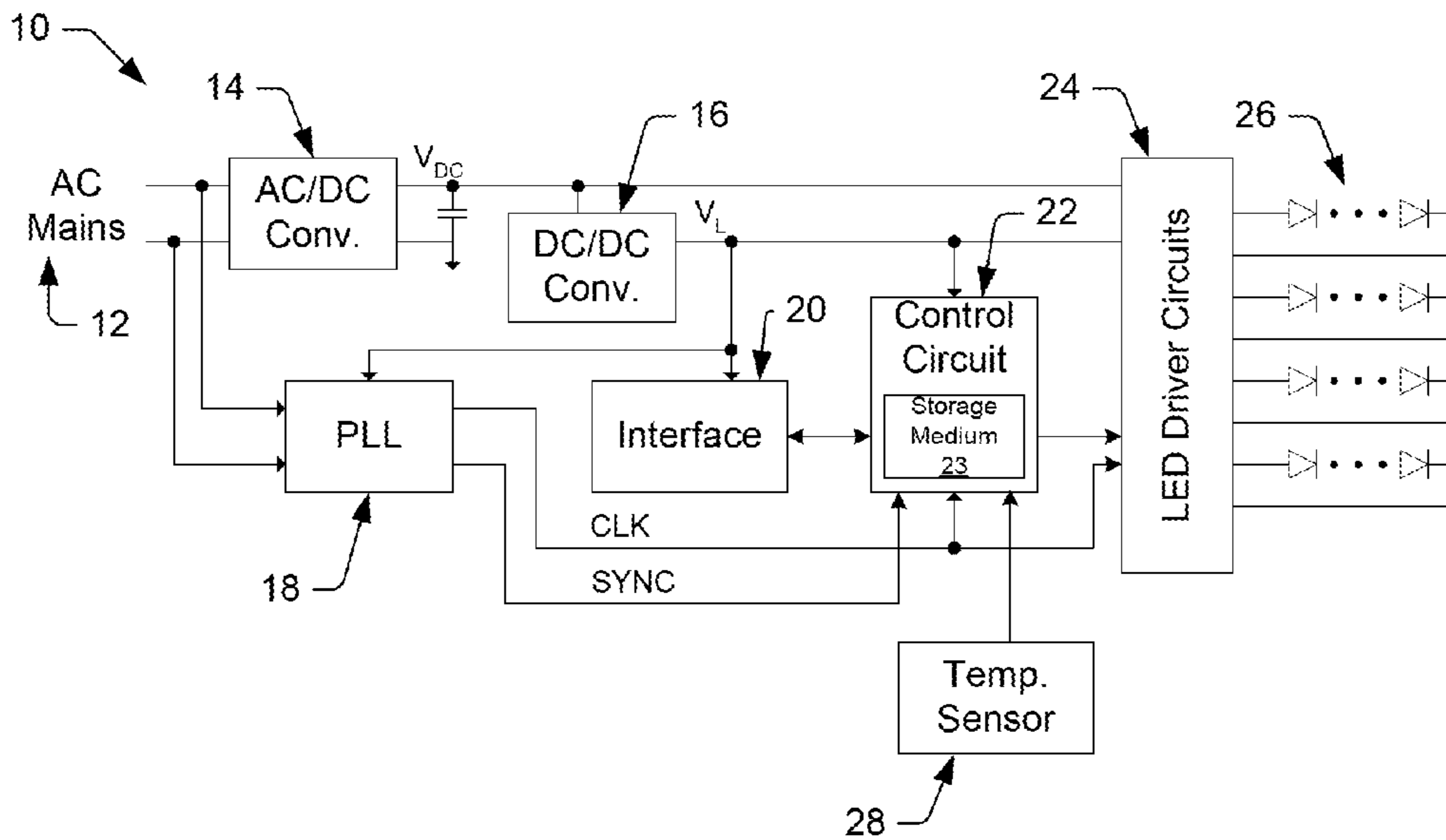


FIG. 1

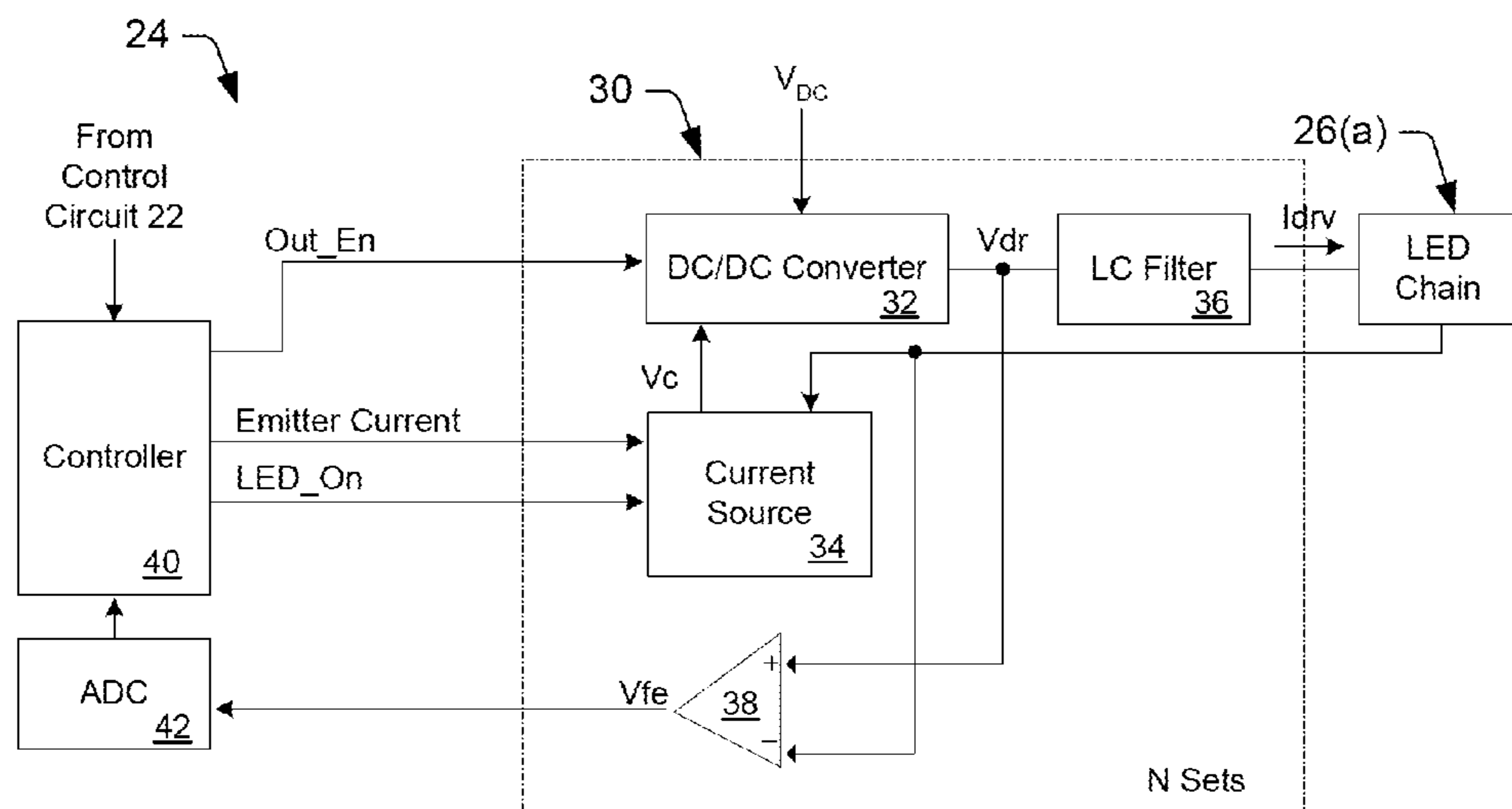


FIG. 2

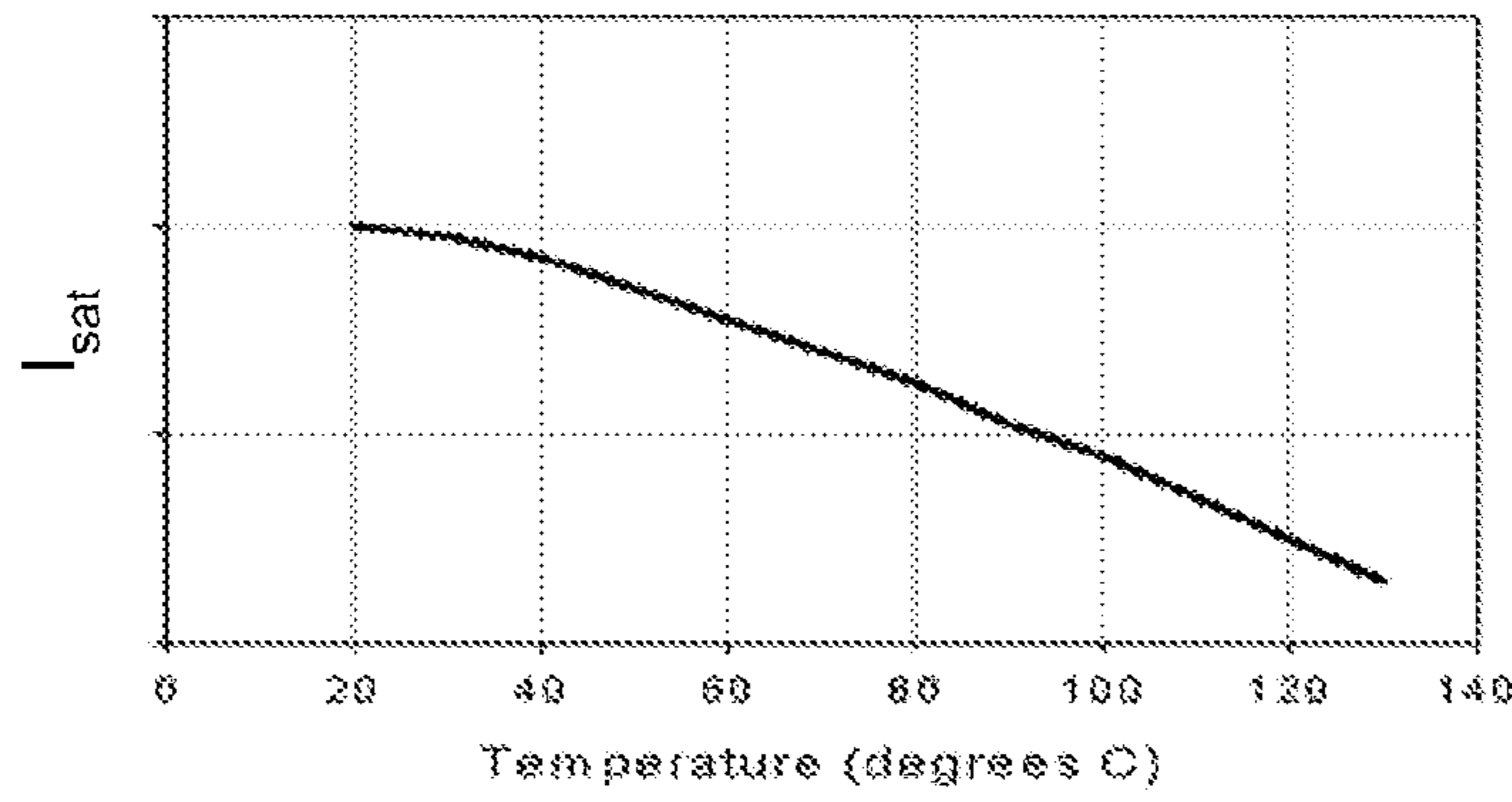


FIG. 3

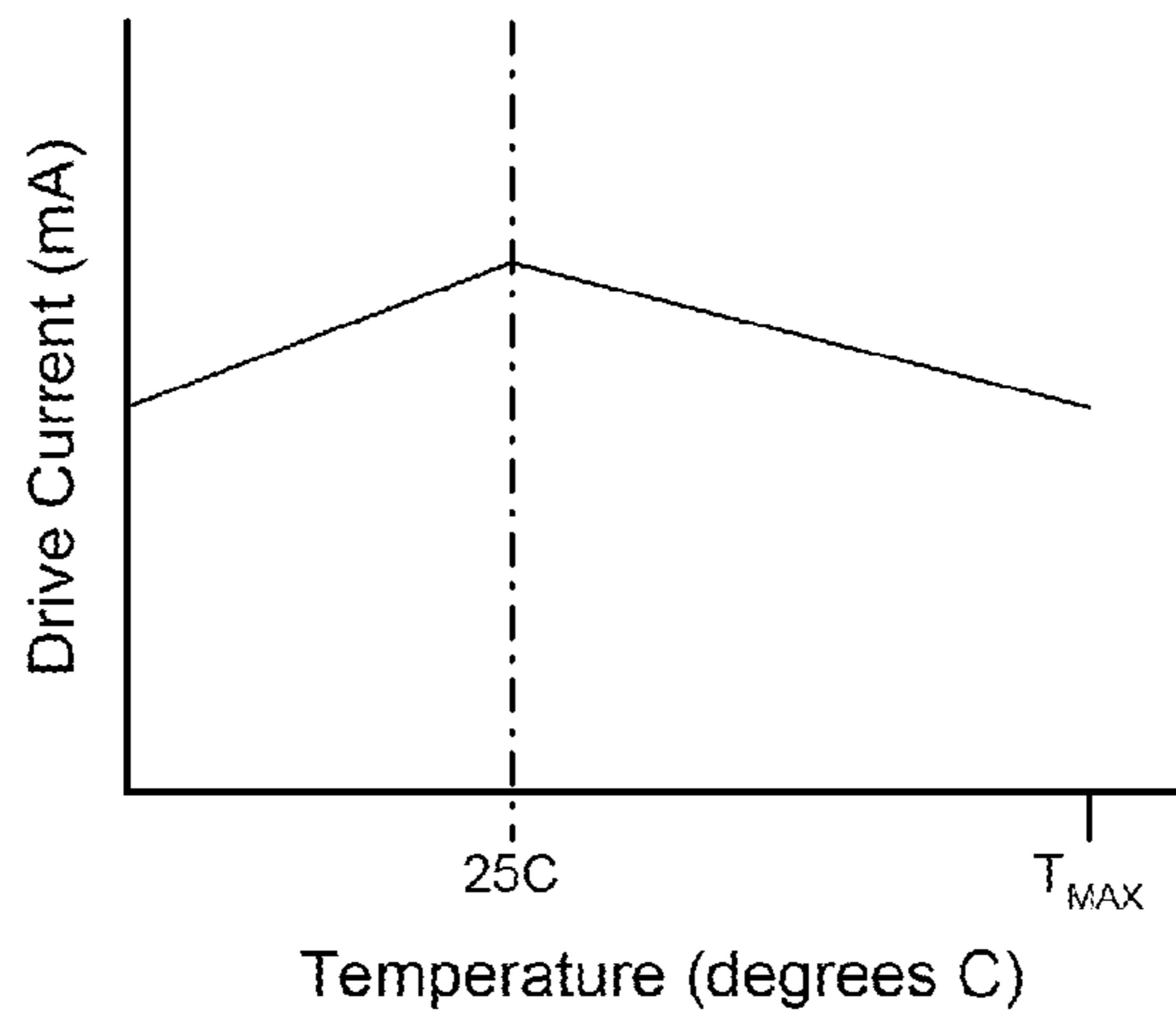


FIG. 4

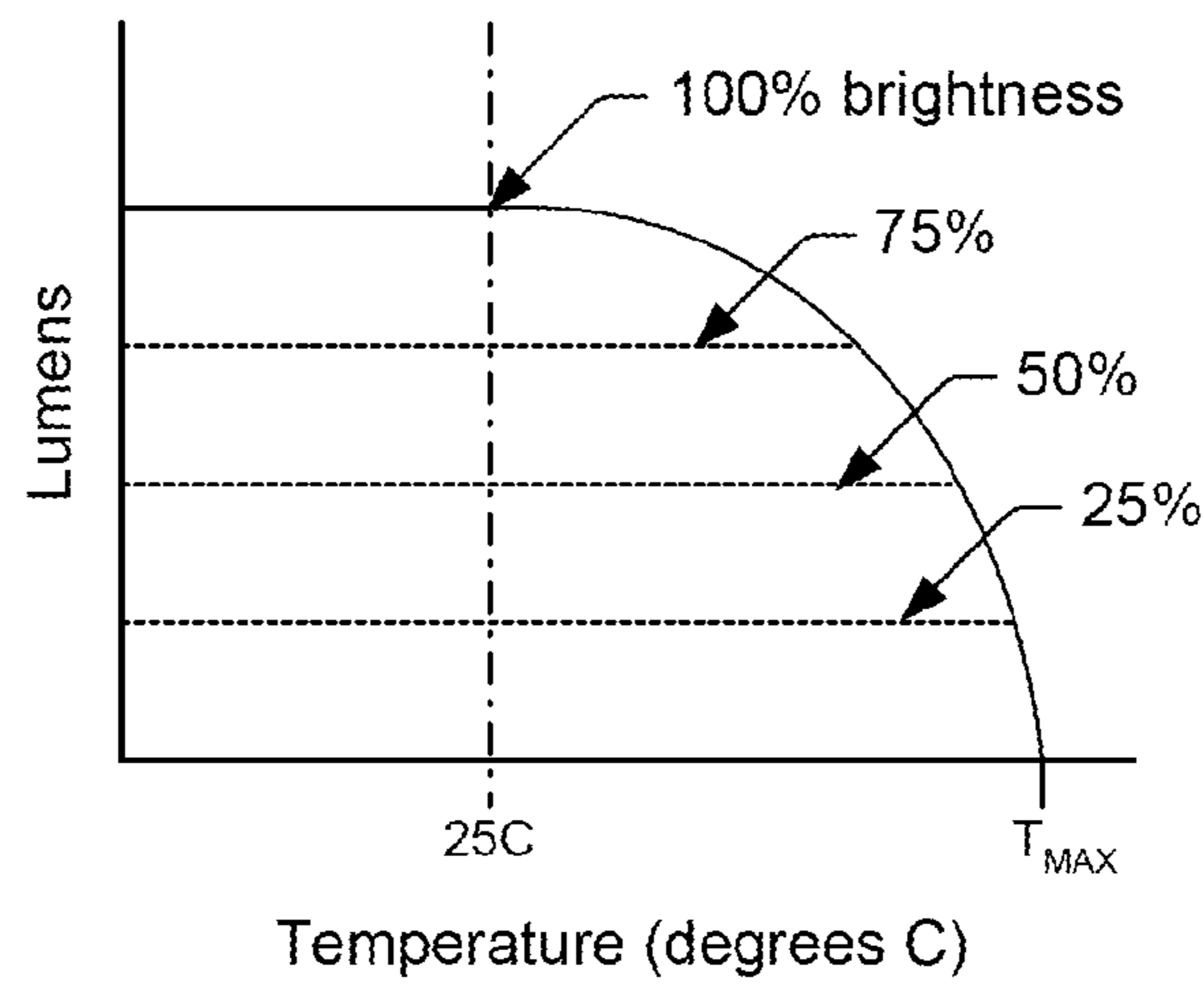


FIG. 5

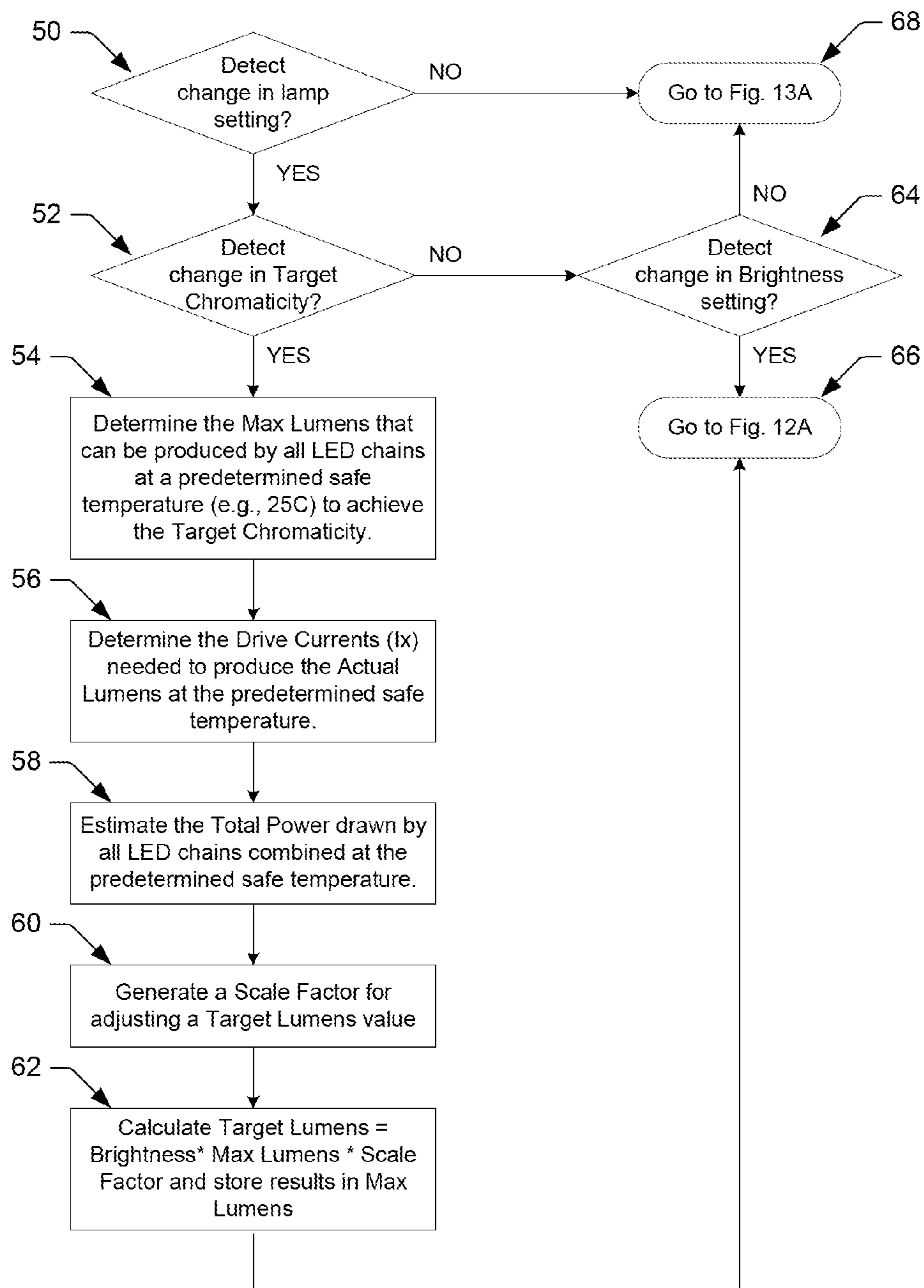


FIG. 6



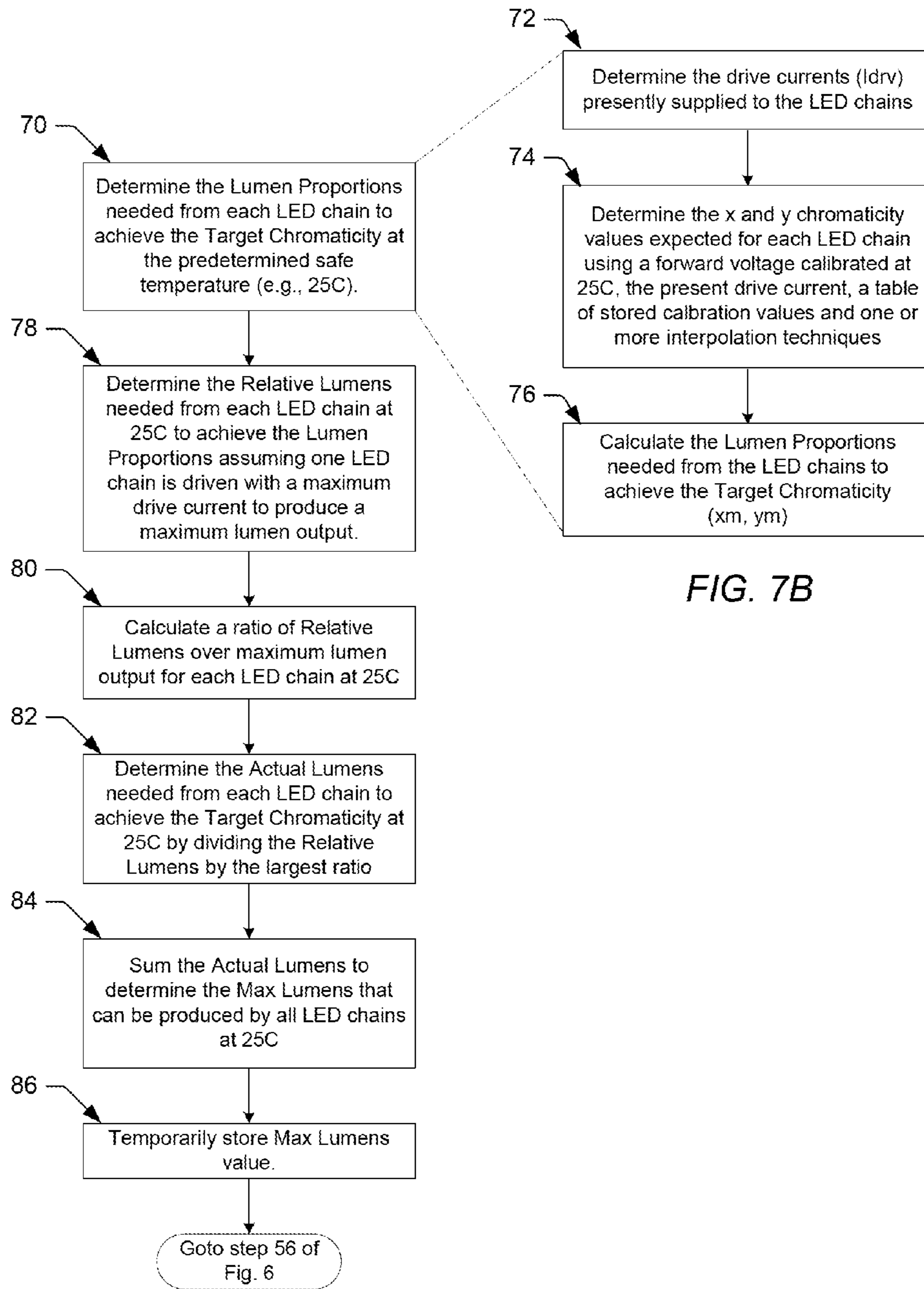


FIG. 7B

FIG. 7A

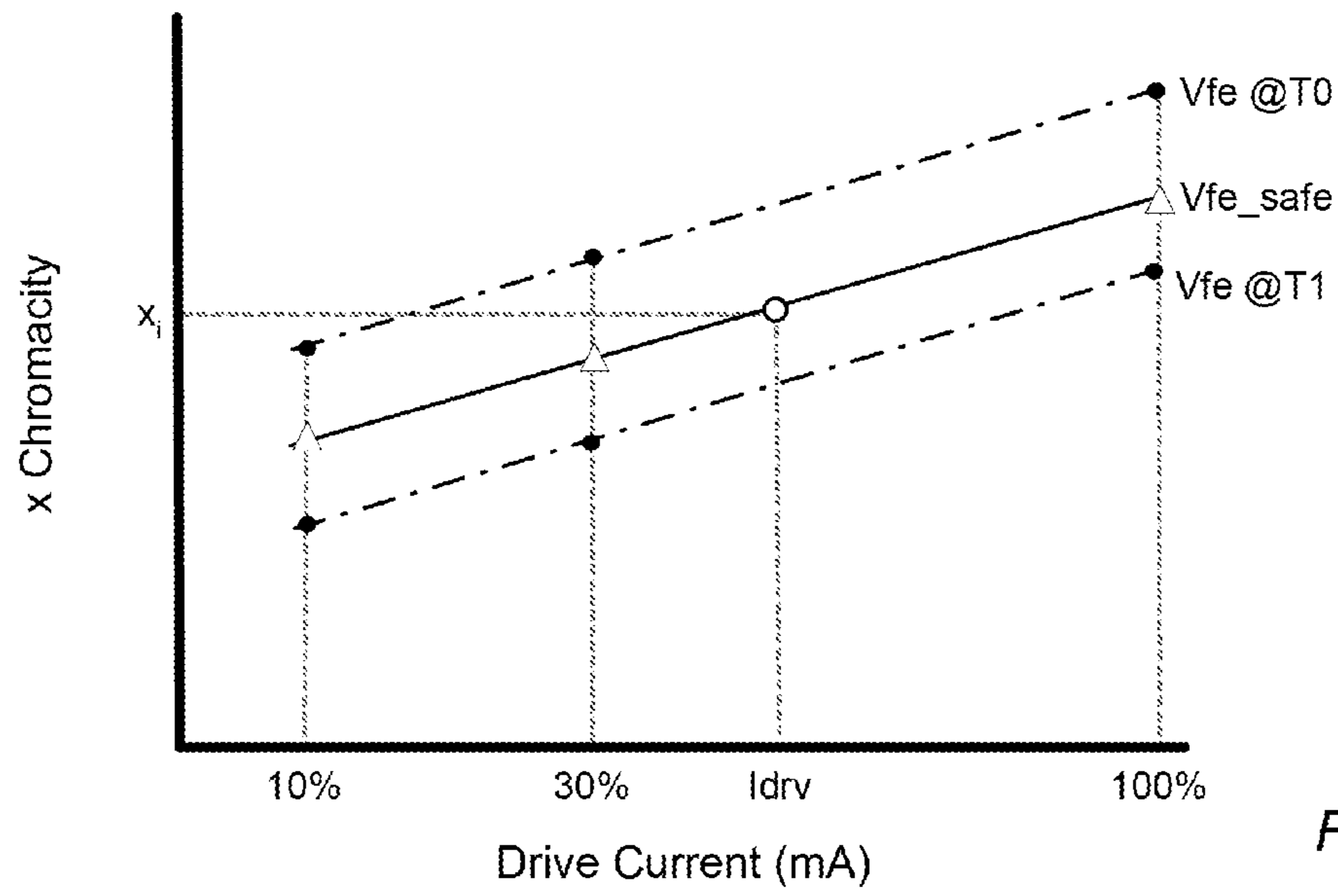


FIG. 8

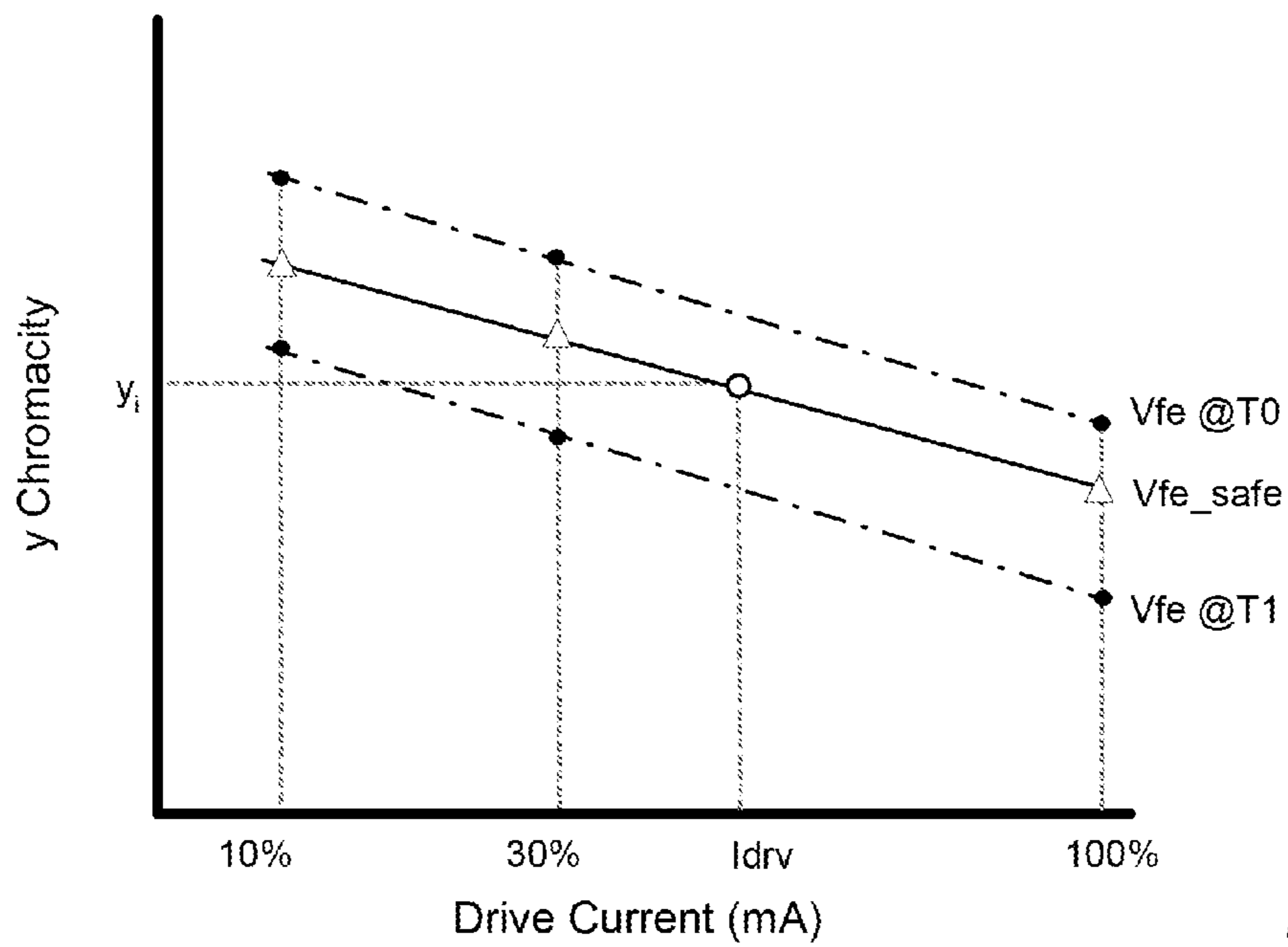


FIG. 9

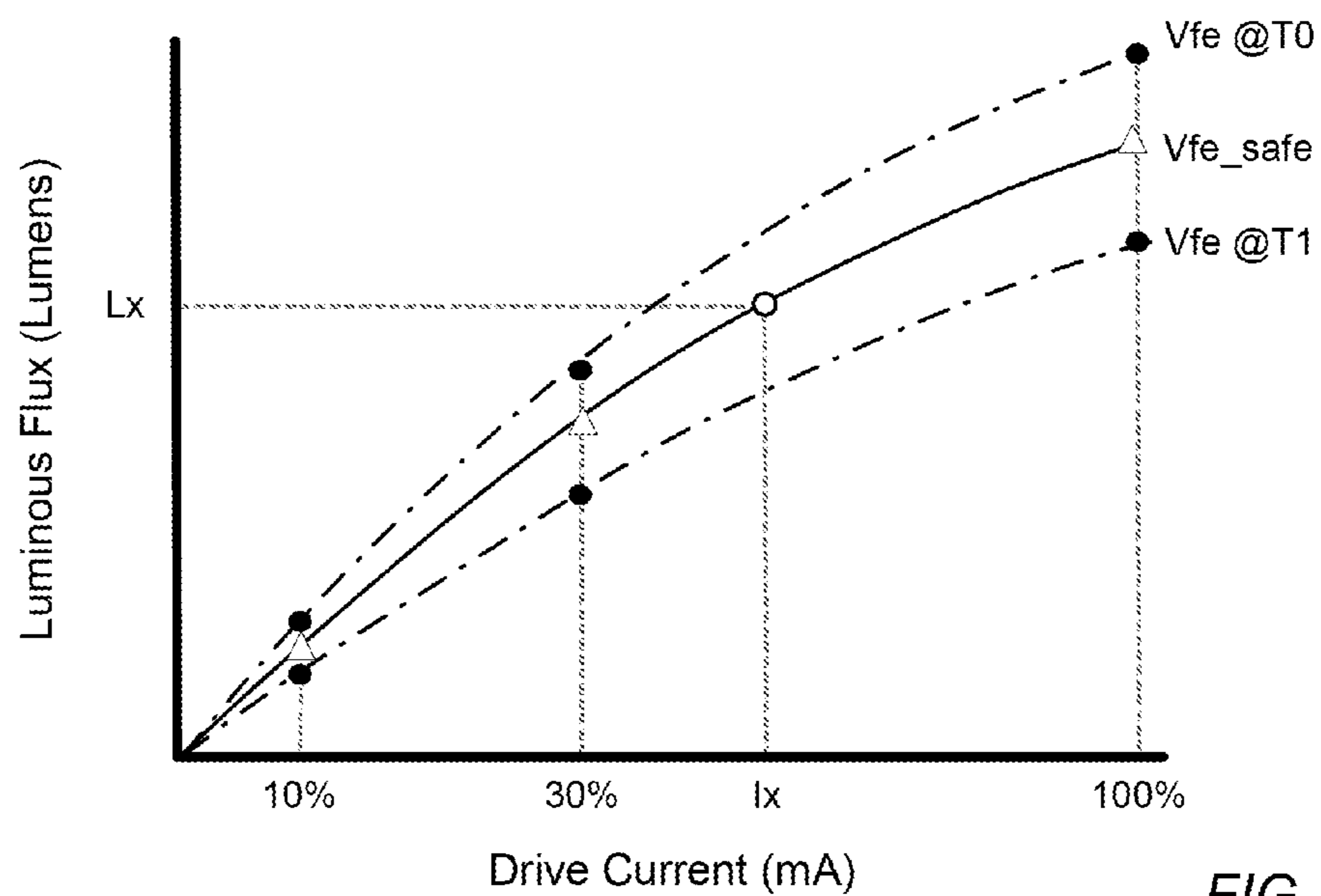


FIG. 10

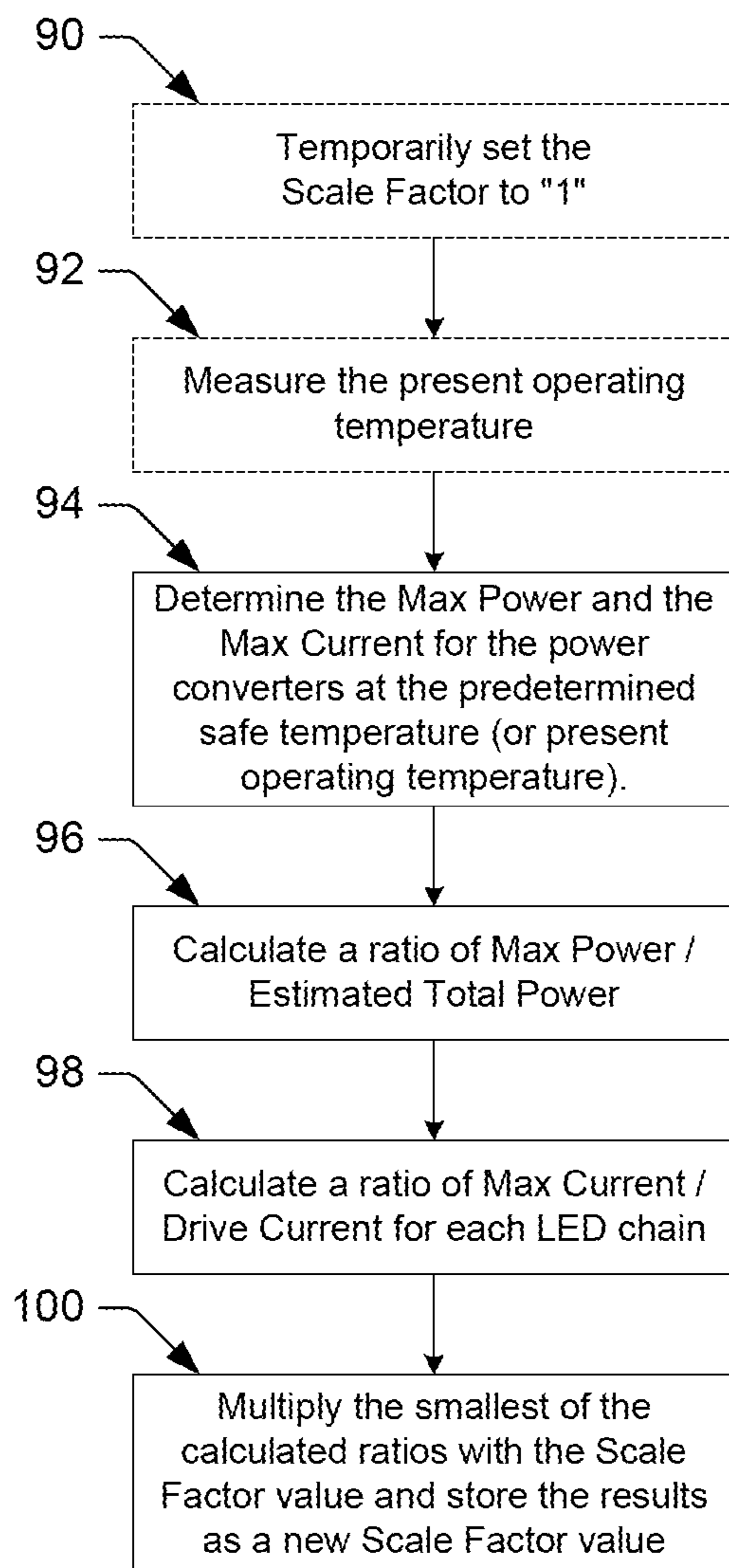


FIG. 11

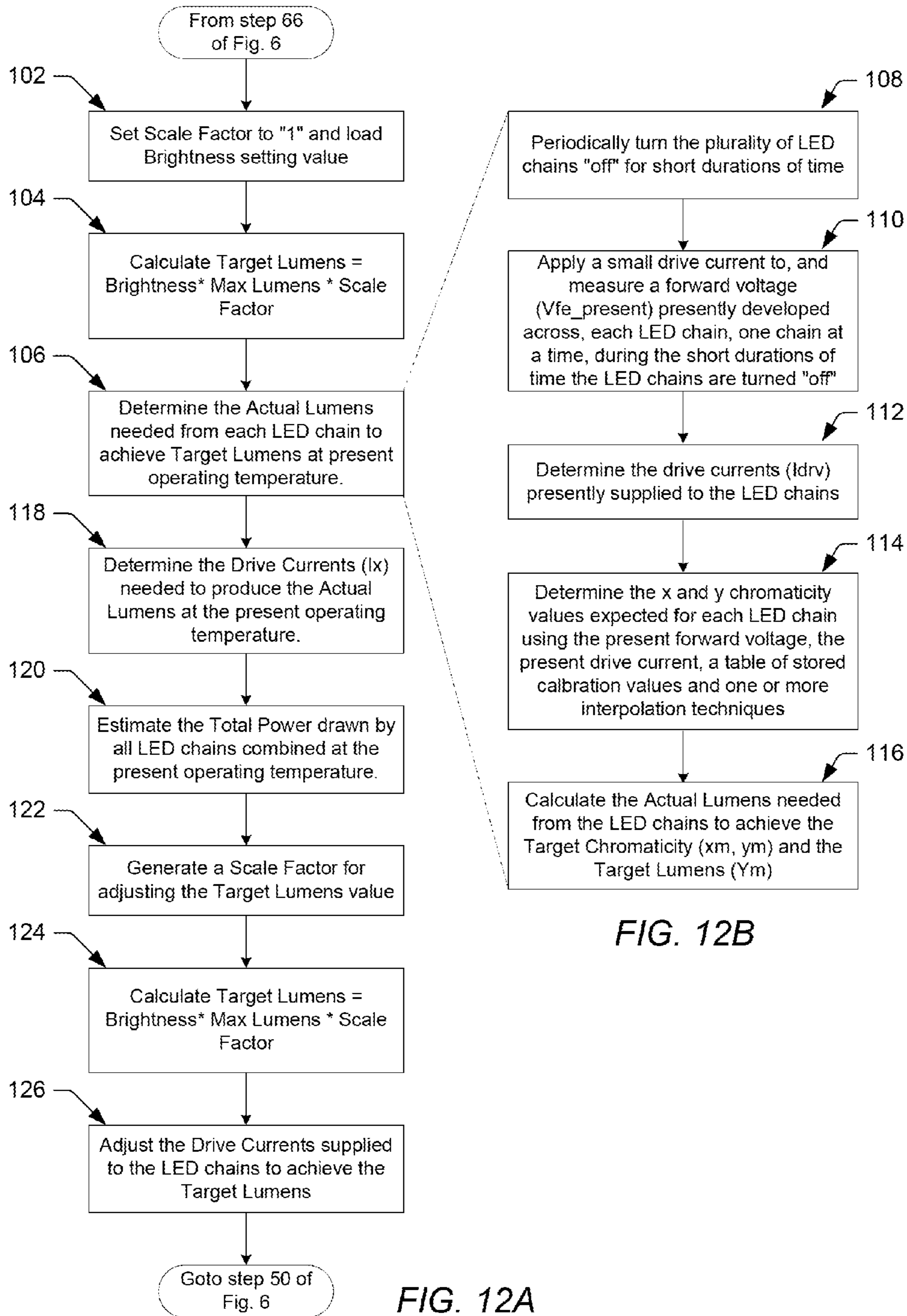


FIG. 12B

FIG. 12A

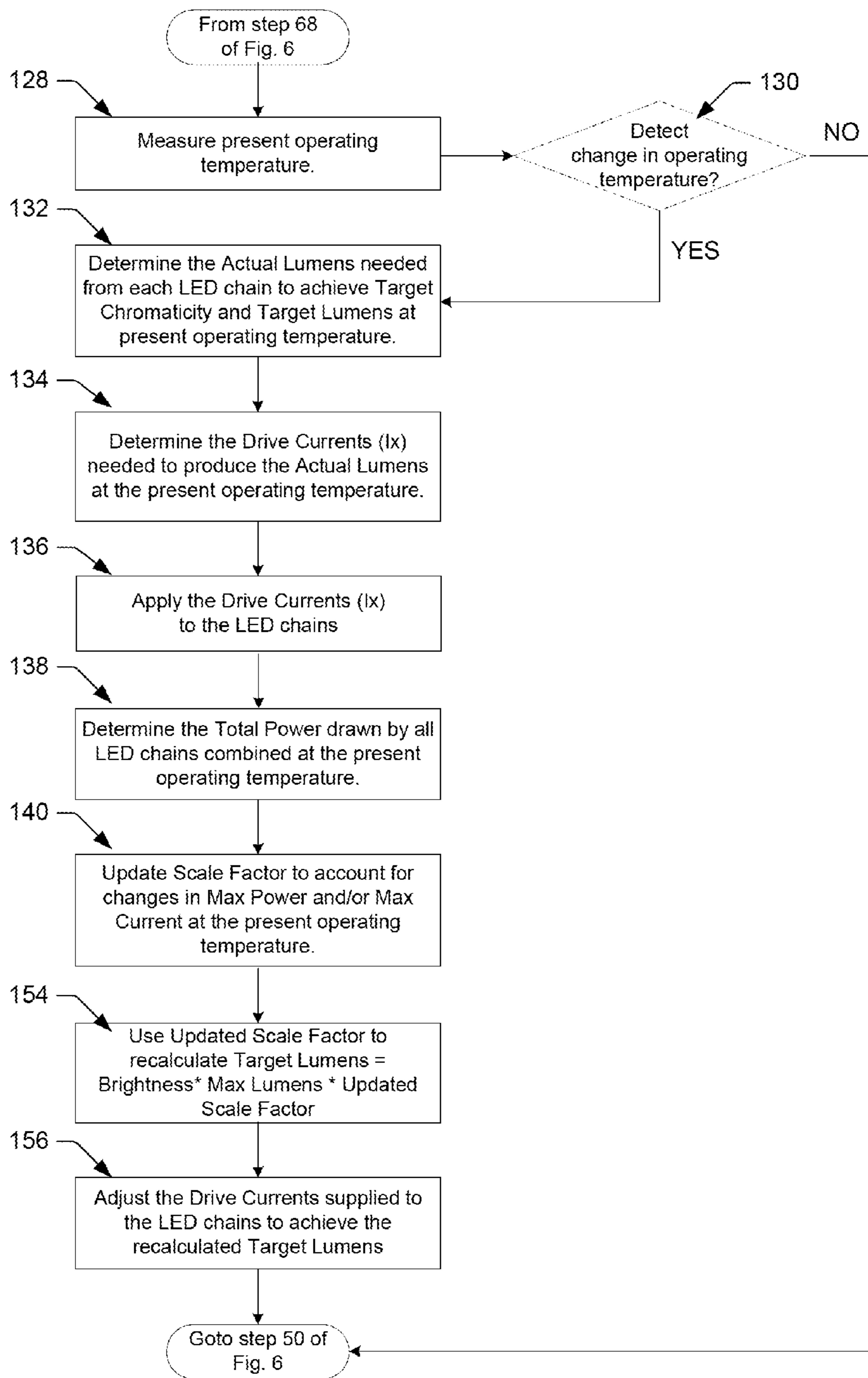


FIG. 13A

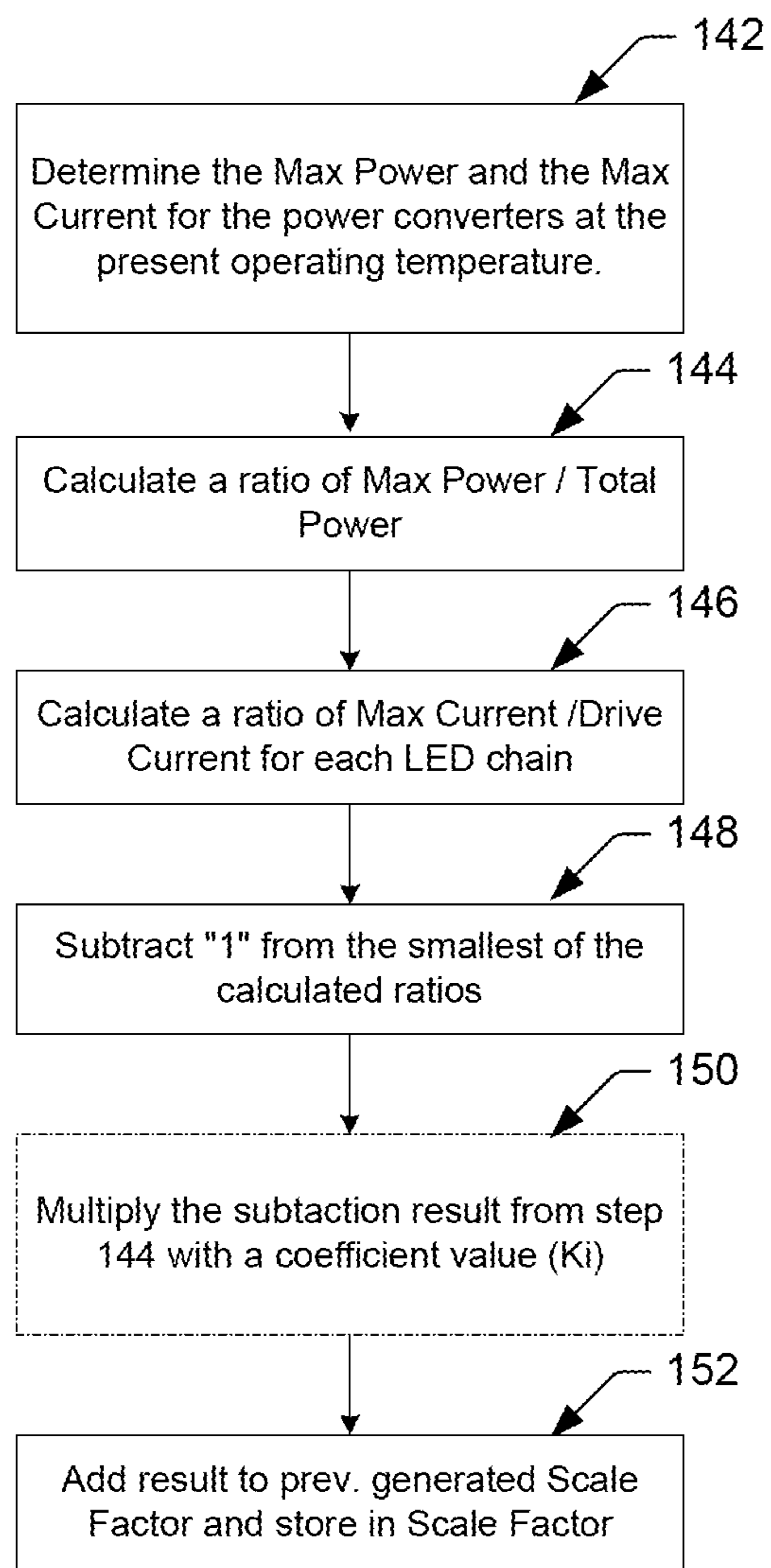


FIG. 13B

**ILLUMINATION DEVICE AND METHOD  
FOR AVOIDING AN OVER-POWER OR  
OVER-CURRENT CONDITION IN A POWER  
CONVERTER**

**Matter enclosed in heavy brackets [ ] appears in the original patent but forms no part of this reissue specification; matter printed in italics indicates the additions made by reissue; a claim printed with strikethrough indicates that the claim was canceled, disclaimed, or held invalid by a prior post-patent action or proceeding.**

*CROSS-REFERENCE TO RELATED  
APPLICATIONS*

*The present application is a reissue of U.S. Pat. No. 9,485,813, issued on Nov. 1, 2016 from U.S. application Ser. No. 14/604,870, filed Jan. 26, 2015, which is hereby incorporated by reference herein in its entirety.*

RELATED APPLICATIONS

This application is related to commonly assigned U.S. patent application Ser. Nos. 14/314,451, which published on Dec. 31, 2015 as U.S. Patent Application Publication No. 2015/0377699; 14/314,530, which published on Dec. 31, 2015 as U.S. Patent Application Publication No. 2015/0382422; 14/314,580, which issued on Jul. 12, 2016 as U.S. Pat. No. 9,392,663; 14/471,057, which issued on Jul. 12, 2016 as U.S. Pat. No. 9,392,660; and 14/471,081, which published on Mar. 3, 2016 U.S. Patent Application Publication No. 2016/0066384. The entirety of these applications is incorporated herein by reference.

BACKGROUND OF THE INVENTION

1. Field of the Invention

This invention relates to illumination devices comprising light emitting diodes (LEDs) and, more particularly, to illumination devices and methods for avoiding an over-power or over-current condition. Specifically, illumination devices and methods are provided herein for adjusting the drive currents supplied to the LED chains, so as not to exceed a maximum safe power level or a maximum safe current level attributed to one or more power converters included within the illumination device.

2. Description of the Relevant Art

The following descriptions and examples are provided as background only and are intended to reveal information that is believed to be of possible relevance to the present invention. No admission is necessarily intended, or should be construed, that any of the following information constitutes prior art impacting the patentable character of the subject matter claimed herein.

Lamps and displays using LEDs (light emitting diodes) for illumination are becoming increasingly popular in many different markets. LEDs provide a number of advantages over traditional light sources, such as incandescent and fluorescent light bulbs, including low power consumption, long lifetime, no hazardous materials, and additional specific advantages for different applications. When used for general illumination, LEDs provide the opportunity to adjust the color (e.g., from white, to blue, to green, etc.) or the color temperature (e.g., from “warm white” to “cool white”) to produce different lighting effects.

In some cases, a number of differently colored emission LED chains may be combined into a single package, or emitter module, to provide a multi-colored LED illumination device. A multi-colored LED illumination device may be described as comprising two or more different colors of LED chains combined within an emitter module, typically to produce white or near-white light. Some multi-colored illumination devices may comprise only one emitter module, whereas others may include a plurality of emitter modules arranged, e.g., in a line or an array. There are many different types of white light illumination devices on the market, some of which combine red, green and blue (RGB) LED chains, red, green, blue and yellow (RGBY) LED chains, phosphor-converted white and red (WR) LED chains, RGBW LED chains, etc. within a single emitter module. By combining different colors of LED chains within the same emitter module, and driving the differently colored LED chains with different drive currents, these illumination devices may be configured to generate white or near-white light within a wide gamut of color set points or correlated color temperatures (CCTs) ranging from “warm white” (e.g., roughly 2600K-3700K), to “neutral white” (e.g., 3700K-5000K) to “cool white” (e.g., 5000K-8300K).

Some multi-colored LED illumination devices enable the brightness and/or color of the illumination to be changed to a particular set point. For example, some prior art illumination devices allow the target chromaticity or color set point to be changed by altering the ratio of drive currents supplied to the individual LED chains. As known in the art, the target chromaticity may be changed by adjusting the drive current levels (in current dimming) or duty cycle (in PWM dimming) supplied to one or more of the emission LED chains. For example, an illumination device comprising RGB LED chains may be configured to produce a “warmer” white light by increasing the drive current supplied to the red LEDs and decreasing the drive currents supplied to the blue and/or green LEDs.

Some prior art illumination devices also provide dimming capabilities, i.e., the ability to change the brightness level or target lumens output from the emission LEDs, in addition to (or instead of) color tuning. In most cases, the brightness level may be changed by adjusting the drive current levels (in current dimming) or the duty cycle of the drive currents (in PWM dimming) supplied to all emission LED chains to produce a new target lumens output. For example, the drive currents supplied to all emission LED chains may be increased to increase the target lumens output of the illumination device.

When the drive current supplied to a given LED is adjusted to change the brightness level or color set point of the illumination device, the junction temperature of that LED is inherently affected. As expected, higher drive currents result in higher junction temperatures, while lower drive currents result in lower junction temperatures. Below a certain junction temperature (e.g., about 25° C.), the lumen output of a given LED is generally unaffected by temperature. Beyond this temperature, however, the lumen output of an LED decreases significantly with increasing junction temperatures, thereby requiring higher drive currents to maintain the target lumens and target chromaticity settings of the illumination device. In some cases, the drive currents needed to maintain a certain target lumens and/or target chromaticity setting at a particular operating temperature may exceed a maximum current or power level, which can be safely provided by the power converters, which are included within the illumination device for supplying power to the LED chains.



As the brightness level and target chromaticity settings change, the power delivered to each LED chain by the power converters changes. At certain brightness levels and target chromaticity settings, the power drawn by the combined load (i.e., all LED chains combined) may exceed a maximum safe current or power level attributed to the power converters. This may cause the transformer core of one or more of the power converters to saturate, over-heat and possibly fail, unless counteractive measures are taken.

Some prior art illumination devices include power control circuitry for regulating LED power consumption or for protecting the LEDs from an over-voltage condition. For example, some devices may use current/voltage sensing and feedback to adjust the amount of power supplied to the LED chains by the power converter, and may use voltage clamps to protect the LEDs from electrical damage when the output voltage of the power converter exceeds a maximum value. However, the power control circuitry used in these devices does not protect the power converter from excessive current or power draws when the LEDs are operated at or near maximum operating levels.

A need remains for improved illumination devices and methods for limiting the amount of power drawn from the power converters of the illumination device, so as not to exceed a maximum safe current level or a maximum safe power level when brightness and/or target chromaticity settings are changed.

#### SUMMARY OF THE INVENTION

The following description of various embodiments of an illumination device and a method for controlling a lumen output of an illumination device is not to be construed in any way as limiting the subject matter of the appended claims.

According to one embodiment, an illumination device is provided herein comprising at least a plurality of light emitting diode (LED) chains, a driver circuit, at least one power converter, a temperature sensor and a control circuit. The LED chains are generally configured to produce illumination for the illumination device, and in particular, may produce illumination corresponding to desired lamp settings (e.g., a chromaticity setting, a brightness setting or a white mix setting) set within the illumination device. The driver circuit is coupled for generating and supplying a respective drive current to each of the plurality of LED chains, so as to achieve the desired lamp settings. The lamp settings may generally be changed, for example, by a user or building controller. In some embodiments, the illumination device may include an interface for receiving the desired lamp settings.

At least one power converter is coupled for supplying power to the driver circuit. Ideally, the at least one power converter may supply the amount of power required by the driver circuit to produce the respective drive currents needed to produce the illumination at the desired lamp settings. In some embodiments, the at least one power converter may comprise a first power converter (e.g., an AC/DC converter), which is coupled for supplying a DC voltage to a plurality of second power converters (e.g., a plurality of DC/DC converters), each of which are coupled for producing a forward voltage on a respective one of the LED chains. As described in more detail herein, the first power converter may have a maximum safe power level and the second power converters may each have a maximum safe current level, above which the inductive core of the power converters saturates, potentially causing the power converter to overheat and fail. The maximum safe power/current levels

attributed to the power converters are not always consistent and tend to vary with operating temperature, once the operating temperature exceeds a predetermined safe temperature.

As lamp settings change, the drive currents supplied to the LED chains by the plurality of DC/DC converters change, which in turn, affects the operating temperature of the illumination device. At certain brightness and chromaticity settings, the drive current that should be supplied to a given LED chain to achieve the desired lamp settings may exceed a maximum safe current level attributed to a corresponding DC/DC converter at the present operating temperature, resulting in an "over-current condition." At other brightness and chromaticity settings, the total power drawn by all LED chains combined may exceed a maximum safe power level attributed to the AC/DC converter at the present operating temperature, resulting in an "over-power condition." In either case, an over-current or over-power condition may saturate the inductive core of the power converter, possibly causing the power converter to overheat and fail.

Improved illumination devices and methods are provided herein for limiting the load requirements placed on one or more power converters of the illumination device, so as not to exceed a maximum safe current/power level attributed to the power converters when lamp settings are changed. This need is particularly relevant to multi-colored LED illumination devices that provide dimming and/or color tuning capabilities, since changes in drive current inherently affect the lumen output, color and temperature of the illumination device, as well as the load requirements placed on the power converters. This need is also relevant to illumination devices with power converters rated with appropriate or reduced load ratings (i.e., not over-engineered to handle excessive loads), as such power converters are particularly susceptible to over-current and over-power conditions.

The improved illumination device and methods described herein avoid over-current and over-power conditions by including a control circuit, which is generally configured for determining the maximum safe current level and/or the maximum safe power level of the power converter(s) at a present operating temperature, and adjusting the respective drive currents supplied to the plurality of LED chains by the driver circuit, so as not to exceed the maximum safe current level or the maximum safe power level at the present operating temperature. In addition to a control circuit, a temperature sensor may be included for measuring the operating temperature presently associated with the power converter(s).

The method steps described herein are performed by several different components of the illumination device, such as the interface, the temperature sensor, the driver circuit and the control circuit. The method steps implemented by the control circuit may, in some embodiments, be performed by program instructions that are stored within a storage medium and executed by a processing device of the illumination device. Alternatively, the control circuit could comprise hardware logic for implementing the method steps.

In some embodiments, the control circuit and method may determine a maximum lumens value that can be safely produced by all LED chains at a predetermined safe temperature (e.g., 25° C.) to achieve a particular chromaticity setting. The chromaticity setting may be received by the interface or may be stored within the illumination device, and may be detected by the control circuit. In some embodiments, the control circuit and method may be configured for

5

determining the maximum lumens value upon receiving the chromaticity setting, or only upon detecting a change in the chromaticity setting.

In some embodiments, the control circuit and method may determine the maximum lumens value by determining a lumen proportion, which is needed from each LED chain to achieve the chromaticity setting at the predetermined safe temperature. In some embodiments, the control circuit and method may determine the lumen proportions by determining, for each LED chain, chromaticity values that are expected for the LED chain using a forward voltage calibrated for the LED chain at the predetermined safe temperature, the respective drive current supplied to the LED chain by the driver circuit, a table of stored calibration values correlating forward voltage and drive current to chromaticity at a plurality of different temperatures, and one or more interpolation techniques. The control circuit and method may then use the expected chromaticity values to calculate the lumen proportions needed from each LED chain to achieve the chromaticity setting at the predetermined safe temperature.

Once the lumen proportions are determined, the control circuit and method may determine a relative lumens needed from each LED chain to achieve the lumen proportion determined for that LED chain, assuming only one of the plurality of LED chains is driven with a maximum drive current. For each LED chain, the control circuit and method may then calculate a ratio of the relative lumens determined for the LED chain over a maximum lumen output for that LED chain, and may determine an actual lumens needed from each LED chain to achieve the chromaticity setting at the predetermined safe temperature by dividing the relative lumens calculated for each LED chain by a largest of the calculated ratios. Finally, the control circuit and method may sum the actual lumens needed from each LED chain to determine the maximum lumens value that can be produced by all LED chains combined at the predetermined safe temperature to achieve the chromaticity setting.

In some embodiments, the control circuit and method may perform additional steps to determine the maximum lumens value. For example, the control circuit and method may determine a drive current, which is needed to produce the actual lumens needed from each LED chain to achieve the chromaticity setting at the predetermined safe temperature, and may further estimate a total power drawn by all LED chains combined at the predetermined safe temperature. The control circuit and method may also determine a maximum safe power level and a maximum safe current level for the power converters at the predetermined safe temperature. For the AC/DC converter, the control circuit and method may calculate a ratio of the maximum safe power level at the predetermined safe temperature over the total power estimated at the predetermined safe temperature. For each DC/DC converter, the control circuit and method may calculate a ratio of the maximum safe current level of the DC/DC converter at the predetermined safe temperature over the drive current determined for each corresponding LED chain at the predetermined safe temperature. A smallest of the calculated ratios may then be used to generate a scale factor, which can be applied to the maximum lumens value.

In some embodiments, the control circuit and method may determine a target lumens value that can be safely produced by all LED chains at the present operating temperature to achieve a particular chromaticity setting and a particular brightness setting without exceeding the maximum safe current level or the maximum safe power level associated with the at least one power converter. The chromaticity and

6

brightness settings may be received by the interface or may be stored within the illumination device, and may be detected by the control circuit. In some embodiments, the control circuit and method may be configured for determining the target lumens value upon detecting the brightness setting, or only upon detecting a change in the brightness setting.

In some embodiments, the method steps described above for determining a maximum lumens value upon detecting a chromaticity setting (or a change in a chromaticity setting) may be performed before the method steps described below for determining a target lumens value. In other embodiments, the method steps described above for determining a maximum lumens value may be skipped if the chromaticity setting is not changed and a default or previously calculated maximum lumens value is assumed.

In some embodiments, the control circuit and method may determine the target lumens value by applying the brightness setting to the maximum lumens value to generate a temporary target lumens value, and thereafter, determining an actual lumens needed from each LED chain to achieve the temporary target lumens value at the present operating temperature.

In some embodiments, the control circuit and method may determine the actual lumens needed from each LED chain to achieve the temporary target lumens value at the present temperature by periodically turning the plurality of LED chains off for short durations of time, and measuring a forward voltage presently developed across each LED chain by applying a non-operative drive current to each LED chain, one chain at a time, during the short durations of time the plurality of LED chains are periodically turned off. In addition, the control circuit and method may be configured for determining chromaticity values that are expected for each LED chain using the forward voltage measured across each LED chain, the respective drive current supplied to each LED chain by the driver circuit, a table of stored calibration values correlating forward voltage and drive current to chromaticity at a plurality of different temperatures, and one or more interpolation techniques. Next, the control circuit and method may use the expected chromaticity values and the chromaticity setting to calculate the actual lumens needed from each LED chain to achieve the temporary target lumens value.

In some embodiments, the control circuit and method may perform additional steps to determine the target lumens value. For example, the control circuit and method may determine a drive current, which is needed for each LED chain to produce the actual lumens at the present operating temperature, and may further estimate a total power drawn by all LED chains combined at the present operating temperature. The control circuit and method may also determine the maximum safe power level and the maximum safe current level of the power converters at the present operating temperature, if this step was not previously performed. For the AC/DC converter, the control circuit and method may calculate a ratio of the maximum safe power level at the present operating temperature over the total power estimated at the present temperature. For each DC/DC converter, the control circuit and method may calculate a ratio of the maximum safe current level of the DC/DC converter at the present operating temperature over the drive current determined for each corresponding LED chain at the present temperature. A smallest of the calculated ratios may then be used to generate a scale factor. The target lumens value can then be calculated by applying the scale factor and the brightness setting to the maximum lumens value.

When operating temperatures are less than or equal to the predetermined safe temperature (e.g., 25° C.), the method described thus far provides a precise lumen output for the particular lamp settings (e.g., chromaticity, brightness and/or white mix settings) selected for the illumination device. Above the predetermined safe temperature, the scale factor applied to the target lumens value scales the lumen output with temperature, so as not to exceed the maximum safe power level or the maximum safe current level associated with the power converters at the present operating temperature. This avoids an “over-power” or “over-current” condition in the power converters, which improves lamp efficiency and prevents saturation of the inductive core.

In some embodiments, the control circuit and method may adjust the respective drive currents supplied to the plurality of LED chains by the driver circuit, so as to achieve the target lumens value. The illumination device may produce illumination at the new drive current levels, and the control circuit and method may continue to monitor for changes in lamp settings.

In other embodiments, one or more of the method steps described above may be repeated a predetermined number of times to minimize errors before the drive currents are adjusted. For example, as the scale factor reduces with increasing temperatures above 25° C., the target lumens value decreases, which improves LED efficiency and changes the relative drive currents between the LED chains. When this occurs, it may be beneficial to recalculate the chromaticity values that are expected for each LED chain at the new drive currents to provide a more accurate representation of the maximum lumens value.

The method steps described above are generally performed when the illumination device is first turned “on,” and any time a change in lamp settings (e.g., chromaticity, brightness and/or white mix settings) is detected during normal operation of the illumination device. In some embodiments, additional steps may be used to fine tune the drive currents during operation of the illumination device when no changes in lamp settings are detected.

During normal operation, in which no changes are made to the lamp settings, it may be beneficial to continually or periodically update the scale factor applied to the target lumens value as operating temperatures change over time. For example, when drive currents increase, the operating temperature increases, which in turn, decreases the maximum safe power level and the maximum safe current level associated with the power converters. In order to avoid saturating the inductive core of the power converters, the control circuit and method may continually or periodically update the scale factor applied to the target lumens value to compensate for temperature related changes that occur, even when lamp settings remain the same.

In some embodiments, the control circuit and method may continually or periodically readjust the drive currents supplied to the LED chains to account for changes in the present operating temperature. This may be achieved, in some embodiments, by measuring a new present temperature, determining an actual lumens needed from each LED chain to achieve the chromaticity setting and the target lumens value at the new present temperature, and determining a drive current that should be supplied to each LED chain to produce the actual lumens at the new present temperature. After the determined drive currents are applied to the LED chains, the control circuit and method may determine (not estimate) a total power drawn by all LED chains combined at the new present temperature, and may update the scale factor to account for changes in the maximum safe power

level and/or the maximum safe current level of the power converters at the new present temperature. After the target lumens value is recalculated using the updated scale factor, the control circuit and method may adjust the respective drive currents supplied to the plurality of LED chains by the driver circuit, so as to achieve the recalculated target lumens value.

In some embodiments, the control circuit and method may update the scale factor by determining the maximum safe power level and the maximum safe current level of the power converters at the new present temperature. For the AC/DC converter, the control circuit and method may calculate a ratio of the maximum safe power level at the new present temperature over the total power determined at the new present temperature. For each of the DC/DC converters, the control circuit and method may calculate a ratio of the maximum safe current level at the new present temperature over the drive current determined for each LED chain. In some embodiments, the control circuit and method may subtract “1” from a smallest of the calculated ratios to generate a subtraction result, and may add the subtraction result to the scale factor to update the scale factor. In other embodiments, the control circuit and method may subtract “1” from a smallest of the calculated ratios to generate a subtraction result, multiply the subtraction result with a coefficient value to generate a multiplication result, and add the multiplication result to the scale factor to update the scale factor.

Depending on the brightness settings and operating temperature, the step of adding the subtraction (or multiplication result) to the scale factor to update the scale factor may cause the scale factor to gradually increase or decrease. As expected, increasing scale factor values increase the target lumens value, and thus, increase the drive currents supplied to the LED chains, the total power drawn by all LED chains, and eventually the operating temperature. Decreasing scale factor values have the opposite effect. By updating the scale factor value to account for changes in operating temperature over time, the control circuit and method ensures that the respective drive currents supplied to the LED chains will not cause an over-power or over-current condition in the power converters.

#### BRIEF DESCRIPTION OF THE DRAWINGS

Other objects and advantages of the invention will become apparent upon reading the following detailed description and upon reference to the accompanying drawings.

FIG. 1 is one example of a block diagram of an illumination device comprising at least one or more power converters, LED driver circuitry, control circuitry and a plurality of LED chains, according to one embodiment of the invention;

FIG. 2 is an exemplary block diagram of LED driver circuitry that may be included within the illumination device of FIG. 1;

FIG. 3 is an exemplary graph illustrating how the saturation current ( $I_{sat}$ ) of a power converter decreases with increasing temperatures above a predetermined safe temperature;

FIG. 4 is an exemplary graph illustrating how the drive current supplied to an LED chain decreases roughly linearly with increasing temperatures above a predetermined safe temperature, due to decreasing  $I_{sat}$  in the power converter;

FIG. 5 is an exemplary graph illustrating how the lumen output of an LED chain decreases roughly with the square of

temperature above a predetermined safe temperature, since both drive current and LED efficacy decrease with increasing temperature;

FIGS. 6, 7A, and 7B are flow chart diagrams illustrating exemplary methods used to determine a Max Lumens that can be produced by all LED chains at a predetermined safe temperature to achieve a particular target chromaticity setting;

FIG. 8 is a graphical representation depicting how one or more interpolation technique(s) may be used in the methods of FIGS. 7B and 12B to determine the expected x chromaticity value for a given LED chain using a calibrated or measured forward voltage ( $V_{fe\_safe}$  or  $V_{fe\_present}$ ), the present drive current and a table of stored calibration values;

FIG. 9 is a graphical representation depicting how one or more interpolation technique(s) may be used in the methods of FIGS. 7B and 12B to determine the expected y chromaticity value for a given LED chain using a calibrated or measured forward voltage ( $V_{fe\_safe}$  or  $V_{fe\_present}$ ), the present drive current and a table of stored calibration values;

FIG. 10 is a graphical representation depicting how one or more interpolation technique(s) may be used to determine the Drive Currents ( $I_x$ ) needed from each LED chain to produce the Actual Lumens at the predetermined safe temperature in step 56 of FIG. 6, and the Drive Currents ( $I_x$ ) needed from each LED chain to produce the Actual Lumens at the present operating temperature in step 118 of FIG. 12A;

FIG. 11 is a flow chart diagram illustrating an exemplary method for determining a scale factor for adjusting the Target Lumens value determined in FIGS. 6 and 12A to ensure that the individual drive currents needed to achieve the target chromaticity setting and the total power drawn by all LED chains at the predetermined safe temperature do not exceed a maximum safe current level or a maximum safe power level of the power converters at a present operating temperature;

FIGS. 12A and 12B are flow chart diagrams illustrating an exemplary method for adjusting the Target Lumens value to account for changes in the brightness setting and/or to adjust the scale factor to account for changes in brightness due to temperature changes; and

FIGS. 13A and 13B are flow chart diagrams illustrating an exemplary method for continually or periodically updating the scale factor to account for temperature related changes in the maximum safe power level attributed to the power converters during normal operation of the illumination device when no changes are made to the target chromaticity or brightness settings.

While the invention is susceptible to various modifications and alternative forms, specific embodiments thereof are shown by way of example in the drawings and will herein be described in detail. It should be understood, however, that the drawings and detailed description thereto are not intended to limit the invention to the particular form disclosed, but on the contrary, the intention is to cover all modifications, equivalents and alternatives falling within the spirit and scope of the present invention as defined by the appended claims.

#### DETAILED DESCRIPTION OF THE PREFERRED EMBODIMENTS

An LED generally comprises a chip of semiconducting material doped with impurities to create a p-n junction. As in other diodes, current flows easily from the p-side, or anode, to the n-side, or cathode, but not in the reverse direction. Charge-carriers—electrons and holes—flow into

the junction from electrodes with different voltages. When an electron meets a hole, it falls into a lower energy level, and releases energy in the form of a photon (i.e., light). The wavelength of the light emitted by the LED, and thus its color, depends on the band gap energy of the materials forming the p-n junction of the LED.

Red and yellow LEDs are commonly composed of materials (e.g., AlInGaP) having a relatively low band gap energy, and thus produce longer wavelengths of light. For example, most red and yellow LEDs have a peak wavelength in the range of approximately 610-650 nm and approximately 580-600 nm, respectively. On the other hand, green and blue LEDs are commonly composed of materials (e.g., GaN or InGaN) having a larger band gap energy, and thus, produce shorter wavelengths of light. For example, most green and blue LEDs have a peak wavelength in the range of approximately 515-550 nm and approximately 450-490 nm, respectively.

In some cases, a “white” LED may be formed by covering or coating, e.g., a blue LED having a peak emission wavelength of about 450-490 nm with a phosphor (e.g., YAG), which down-converts the photons emitted by the blue LED to a lower energy level, or a longer peak emission wavelength, such as about 525 nm to about 600 nm. In some cases, such an LED may be configured to produce substantially white light having a correlated color temperature (CCT) of about 3000K. However, a skilled artisan would understand how different colors of LEDs and/or different phosphors may be used to produce a “white” LED with a potentially different CCT.

When two or more differently colored LEDs are combined within a single package, the spectral content of the individual LEDs are combined to produce blended light. In some cases, differently colored LEDs may be combined to produce white or near-white light within a wide gamut of color points or CCTs ranging from “warm white” (e.g., roughly 2600K-3000K), to “neutral white” (e.g., 3000K-4000K) to “cool white” (e.g., 4000K-8300K). Examples of white light illumination devices include, but are not limited to, those that combine red, green and blue (RGB) LEDs, red, green, blue and yellow (RGBY) LEDs, white and red (WR) LEDs, and RGBW LEDs.

The present invention is generally directed to illumination devices having a plurality of light emitting diodes (LEDs) that are configured to provide illumination for the illumination device. For the sake of simplicity, the term “LED” or “emission LED” will be used throughout this disclosure to refer to a single LED, or a chain of serially connected LEDs supplied with the same drive current. Although not limited to such, the present invention is particularly well suited to illumination devices (i.e., multi-colored illumination devices) in which two or more different colors of emission LEDs are combined within a single package or emitter module to produce blended white or near-white light. The “color” of an LED is generally understood as referring to the peak emission wavelength of the light produced by the LED when forward biased. While examples of peak emission wavelengths for different colors of LEDs are provided above, the illumination device described herein is not limited to only the exemplary colors of LEDs mentioned herein and may comprise substantially any combination of LEDs.

The present invention is also particularly well suited to illumination devices (i.e., tunable illumination devices) that enable the target brightness level and/or the target chromaticity setting to be changed by adjusting the drive currents supplied to one or more of the emission LEDs. In addition to changing the lumen output and/or the color point setting

## 11

of the illumination device, adjusting the drive currents supplied to one or more of the emission LEDs inherently affects the temperature of the illumination device and changes the load requirements placed on one or more power converters included within the illumination device. According to one embodiment, the present invention provides an improved illumination device and methods for limiting the amount of power drawn from the power converters of the illumination device, so as not to exceed a maximum safe current/power level when target brightness and/or target chromaticity settings are changed.

FIG. 1 illustrates an exemplary block diagram of an improved illumination device **10**, according to one embodiment of the invention. The illumination device illustrated in FIG. 1 provides one example of the hardware and/or software that may be used to implement the methods shown in FIGS. 6-13 and described below.

In the illustrated embodiment, illumination device **10** comprises a plurality of emission LEDs **26**, and in this example, comprises four chains of any number of serially connected LEDs. In typical embodiments, each chain may have 2 to 4 LEDs of the same color, which are coupled in series and configured to receive the same drive current. In one example, the emission LEDs **26** may include a chain of red LEDs, a chain of green LEDs, a chain of blue LEDs, and a chain of white or yellow LEDs. However, the present invention is not limited to any particular number of LED chains, any particular number of LEDs within each chain, or any particular color or combination of LED colors. In some embodiments, the emission LEDs **26** may be mounted on a substrate and encapsulated within a primary optic structure of an emitter module, possibly along with one or more photodetectors (not shown in FIG. 1). In some embodiments, an illumination device may include more than one emitter module.

In addition to emission LEDs **26**, illumination device **10** includes various hardware and software components for powering the illumination device and controlling the light output from the one or more emitter modules. In the embodiment shown in FIG. 1, illumination device **10** is connected to AC mains **12** and includes an AC/DC converter **14** for converting the AC mains voltage (e.g., 120V or 240V) to a DC voltage ( $V_{DC}$ ). The DC voltage (e.g., 15V) is supplied to LED driver circuits **24** to produce the drive currents, which are supplied to the emission LEDs **26** for producing illumination. In the embodiment of FIG. 1, a DC/DC converter **16** is included for converting the DC voltage  $V_{DC}$  (e.g., 15V) to a lower voltage  $V_L$  (e.g., 3.3V), which is used to power the low voltage circuitry of the illumination device, such as PLL **18**, interface **20**, and control circuit **22**. In other embodiments, illumination device **10** may be powered by a DC voltage source (e.g., a battery), instead of AC mains **12**. In such embodiments, the illumination device may be coupled to the DC voltage source and may or may not include a DC/DC converter in place of the AC/DC converter **14**. Additional timing circuitry may be needed to providing timing and synchronization signals to the control and driver circuits.

In the illustrated embodiment, a phase locked loop (PLL) **18** is included within illumination device **10** for providing timing and synchronization signals. Generally speaking, PLL **18** locks onto the AC mains frequency (e.g., 50 or 60 HZ) and produces a high speed clock (CLK) signal and a synchronization signal (SYNC). The CLK signal provides timing signals for control circuit **22** and LED driver circuits **24**. In one example, the CLK signal frequency is in the tens of mHz range (e.g., 23 MHz), and is precisely synchronized

## 12

to the AC Mains frequency and phase. The SNYC signal is used by the control circuit **22** to create the timing signals used to control the LED driver circuit **24**. In one example, the SNYC signal frequency is equal to the AC Mains frequency (e.g., 50 or 60 HZ) and also has a precise phase alignment with the AC Mains.

In some embodiments, interface **120** may be included within illumination device **10** for receiving calibration data from an external calibration tool during manufacturing of the device. The calibration values received via interface **20** may be stored in a table of calibration values within storage medium **23** of control circuit **22**, for example. Examples of calibration values that may be received via interface **20** include, but are not limited to, the luminous flux, intensity, wavelength, and chromaticity of the light emitted by each LED chain, as described in co-pending application Ser. Nos. 14/314,451 and 14/471,057. In some embodiments, efficiency values corresponding to one or more of power converters of the illumination device may also be received via interface **20** and stored within storage medium **23**. If included, these efficiency values may be used to determine the maximum loads that may be placed on the power converters without saturating the transformer core.

Interface **20** is not limited to receiving calibration data and may be used, in some embodiments, for communicating information and commands to and from illumination device **10**. During normal operation of illumination device **10**, for example, interface **20** could be used to communicate commands used to control the illumination device, or to obtain information about the illumination device. For instance, commands may be communicated to illumination device **10** via interface **20** to turn the illumination device on/off, to control the brightness level and/or color set point of the illumination device, to initiate a calibration procedure, or to store calibration results in memory. In other examples, interface **20** may be used to obtain status information or fault condition codes associated with illumination device **10**.

In some embodiments, interface **20** may comprise a wireless interface that is configured to operate according to ZigBee, WiFi, Bluetooth, or any other proprietary or standard wireless data communication protocol. In other embodiments, interface **20** could communicate optically using infrared (IR) light or visible light. Alternatively, interface **20** may comprise a wired interface, which is used to communicate information, data and/or commands over the AC mains **12** or a dedicated conductor, or a set of conductors. In another alternative embodiment, interface **20** may additionally or alternatively comprise a user interface, such as a display screen and/or one or more buttons, sliders, knobs or switches for controlling and/or diagnosing illumination device **10**. A skilled artisan would recognize that a number of different interfaces may be included within the illumination device for communicating information, commands and control signals.

According to one preferred embodiment, interface **20** is coupled for receiving control signals from a building controller and/or from a user for altering an illumination state of illumination device **10**. For example, interface **20** may receive control signals for turning the illumination device on/off, for changing a brightness level, or for changing a color point setting of the illumination device. In some embodiments, the brightness level may be adjusted substantially continuously between a minimum level (e.g., 0% brightness) and a maximum level (e.g., 100% brightness), according to a linear or logarithmic scale, by defining the brightness level as a 16-bit variable. In other embodiments, the brightness level may be adjusted between a limited

number of predefined steps, wherein each step corresponds to a percent change in brightness (e.g., 0%, 25%, 50%, 75% or 100% maximum brightness) or a decibel change (e.g., +/-1 dB) in lumen output.

In some embodiments, the color point setting may be defined by a set of target chromaticity coordinates, such as x and y chromaticity values from the CIE 1931 Chromaticity Diagram, but is not limited to such. In some embodiments, the color point setting may be adjusted by selecting substantially any pair of x and y chromaticity values that fall with the color gamut producible by the combination of emission LEDs **26** included within the illumination device **10**. In some embodiments, the x and y chromaticity values may each comprise 16-bit variables. If a white LED chain is included within illumination device **10**, a 16-bit white mix variable may be combined with the 16-bit x and y chromaticity values to further define the color point setting.

As known in the art, the color gamut producible by a particular combination of emission LEDs **26** is defined by and constrained within the lines connecting the chromaticity coordinates of the emission LEDs. For example, a red (R) LED with a peak wavelength of 625 nm may have a chromaticity coordinate of (0.69, 0.31), a green (G) LED with a peak wavelength of 528 nm may have a chromaticity coordinate of (0.18, 0.73), and a blue (B) LED with a peak wavelength of 460 nm may have a chromaticity coordinate of (0.14, 0.04). When the chromaticity coordinates of the RGB LEDs are connected together, they form a triangle representing the color gamut producible by that particular combination of LEDs. With four different chains of LEDs (e.g., RGBW), there is an infinite number of different spectrums that can be combined to produce the same target chromaticity (x,y) within the color gamut triangle, since two different sets of three color LED chains can be used to produce the same target chromaticity. For example, magenta can be produced by the combination of RGB or RWB. The white mix variable defines the proportion of the total lumens produced by each color gamut triangle. For example, 100% white mix includes no green component, while 0% white mix contains no white.

Using the timing signals received from PLL **18** and the control signals from interface **20** (e.g., a desired brightness level and target chromaticity), control circuit **22** calculates and produces values indicating a desired drive current to be supplied to each of the LED chains **26**. This information may be communicated from control circuit **22** to LED driver circuits **24** over a serial bus conforming to a standard, such as SPI or I<sup>2</sup>C, for example. In addition, control circuit **22** may provide a latching signal that instructs the LED driver circuits **24** to simultaneously change the drive currents supplied to each of the LED chains **26** to prevent brightness and color artifacts.

In some embodiments, control circuit **22** may be configured for determining the respective drive currents needed to achieve a desired luminous flux and/or a desired chromaticity for the illumination device in accordance with one or more of the compensation methods described in co-pending application Ser. Nos. 14/314,530; 14/314,580; and 14/471,081, which are commonly assigned and incorporated herein in their entirety. In a preferred embodiment, control circuit **22** may be further configured for adjusting the drive currents supplied to the emission LEDs **26**, so as not to exceed a maximum safe current level or a maximum safe power level attributed to one or more power converters of the illumination device **10** at a present operating temperature.

As shown in FIG. 1, a temperature sensor **28** may be included within the illumination device **10** for measuring a

present operating temperature of the illumination device. In some embodiments, temperature sensor **28** may be a thermistor, which is thermally coupled to a circuit board or chip comprising one or more of the components shown in FIG. 1.

For example, temperature sensor **28** may be coupled to a circuit board comprising AC/DC converter **14**, DC/DC converter **16**, PLL **18** and interface **20**. In another example, temperature sensor **28** may be thermally coupled to the chip comprising LED driver circuits **24** and emission LED chains **26**. In other embodiments, temperature sensor **28** may be an LED, which is used as both a temperature sensor and an optical sensor to measure ambient light conditions or output characteristics of LED chains **26**. The temperature measured by the sensor **28** is supplied to the control circuit **22** for adjusting the drive currents.

In some embodiments, control circuit **22** may determine the respective drive currents by executing program instructions stored within storage medium **23**. In one embodiment, the storage medium may be a non-volatile memory, and may be configured for storing the program instructions along with a table of calibration values, as described for example in co-pending application Ser. Nos. 14/314,451 and 14/471,057. Alternatively, control circuit **22** may include combinatorial logic for determining the desired drive currents, and storage medium **23** may only be used for storing the table of calibration values.

In general, LED driver circuits **24** may include a number (N) of driver blocks **30** equal to the number of emission LED chains **26** included within the illumination device **10**. In one exemplary embodiment, LED driver circuits **24** comprise four driver blocks **30**, each configured to produce illumination from a different one of the emission LED chains **26**. In some embodiments, LED driver circuits **24** may comprise circuitry for measuring ambient temperatures, measuring photodetector and/or emitter forward voltages and photocurrents, and adjusting the LED drive currents. Each driver block **30** receives data indicating a desired drive current from control circuit **22**, along with a latching signal indicating when the driver block **30** should change the drive current.

FIG. 2 is an exemplary block diagram of LED driver circuits **24**, according to one embodiment of the invention. In the exemplary embodiment of FIG. 2, LED driver circuits **24** include four driver blocks **30**, each block including a DC/DC converter **32**, a current source **34**, and an LC filter **36** for generating the operative drive currents (I<sub>drv</sub>) supplied to a connected chain of emission LEDs **26a** to produce illumination, and the relatively small drive currents (I<sub>drv</sub>) used to obtain emitter forward voltage (V<sub>fe</sub>) measurements. In some embodiments, DC/DC converter **32** may convert the DC voltage (V<sub>DC</sub>) into a pulse width modulated (PWM) voltage output (V<sub>dr</sub>) when controller **40** drives the "Out\_En" signal high. This PWM voltage signal (V<sub>dr</sub>) is filtered by LC filter **36** to produce a forward voltage on the anode of the connected LED chain **26a**. The cathode of the LED chain is connected to current source **34**, which forces a fixed drive current (I<sub>drv</sub>) equal to the value provided by the "Emitter Current" signal through LED chain **26a** when the "Led\_On" signal is high. The "V<sub>c</sub>" signal from current source **34** provides feedback to the DC/DC converter **32** to output the proper duty cycle and minimize the voltage drop across current source **34**.

As shown in FIG. 2, each driver block **30** may also include a difference amplifier **38** for measuring the forward voltage (V<sub>fe</sub>) drop across the connected chain of emission LEDs **26a**. When measuring V<sub>fe</sub>, DC/DC converter **32** is turned off and current source **34** is configured for drawing a

relatively small drive current (e.g., about 1 mA) through the connected chain of emission LEDs **26a**. The forward voltage drop ( $V_{fe}$ ) produced across LED chain **26a** by that current is measured by the difference amplifier **38**, which produces a signal equal to  $V_{fe}$ . The forward voltage ( $V_{fe}$ ) is converted to a digital signal by analog to digital converter (ADC) **42** and supplied to controller **40**. Controller **40** determines when to take forward voltage measurements and produces the Out\_En, Emitter Current and Led\_On signals, which are supplied to each of the driver blocks **30**.

LED driver circuit **24** is not limited to the embodiment shown in FIG. **2**. In some embodiments, each LED driver block **30** may include additional circuitry for measuring photocurrents, which are induced across one or more of the emission LED chains **26**, when these chains are configured for detecting incident light (e.g., ambient light or light emitted from other emission LEDs). In some embodiments, LED driver circuit **24** may additionally include one or more receiver blocks (not shown) for measuring forward voltages and/or photocurrents induced across one or more photodetectors, which may also be included within the emitter module. In some embodiments, LED driver circuit **24** may include a temperature sensor for measuring a temperature of the driver circuitry and a multiplexer for multiplexing the emitter forward voltages ( $V_{fe}$ ) and measured temperatures to the ADC **42**. Exemplary embodiments of such a driver circuit are described in the previously mentioned co-pending applications.

DC/DC converter **16** and DC/DC converters **32** may include substantially any type of DC/DC power converter including, but not limited to, buck converters, boost converters, buck-boost converters, Cuk converters, single-ended primary-inductor converters (SEPIC), or flyback converters. AC/DC converter **14** may likewise include substantially any type of AC/DC power converter including, but not limited to, buck converters, boost converters, buck-boost converters, Cuk converters, single-ended primary-inductor converters (SEPIC), or flyback converters. Each of these power converters generally comprise a number of inductors (or transformers) for storing energy received from an input voltage source, a number of capacitors for supplying energy to a load, and a switch for controlling the energy transfer between the input voltage source and the load. The output voltage supplied to the load by the power converter may be greater than or less than the input voltage source, depending on the type of power converter used.

According to one preferred embodiment, AC/DC converter **14** comprises a flyback converter, while DC/DC converter **16** and DC/DC converters **32** comprise buck converters. AC/DC converter **14** converts the AC mains power (e.g., 120V or 240V) to a substantially lower DC voltage  $V_{DC}$  (e.g., 15V), which is supplied to the buck converters **16/32**. The buck converters **16/32** step down the DC voltage output from the AC/DC converter **14** to lower voltages, which are used to power the low voltage circuitry and provide drive currents to the LED chains **26**.

As known in the art, each of the power converters **14/16/32** has a saturation current ( $I_{sat}$ ) associated therewith, above which the inductive core saturates, potentially causing the power converter to overheat and fail. These saturation currents limit the maximum current that DC/DC converters **32** can safely deliver to the emission LED chains **26**, and the maximum total power AC/DC converter **14** can safely draw from the AC mains power line **12** (or other input voltage source). These saturation currents are generally dependent on the magnetic flux density of the inductors or transformers used within the power converters, and in some embodi-

ments, may range between about 30 mA and about 3 A for the AC/DC converter **14** and the DC/DC converters **32**. In one embodiment, a typical saturation current may be about 1 A for both the AC/DC and DC/DC converters. The maximum safe power level provided by the AC/DC converter is generally defined as the saturation current ( $I_{sat}$ ) times the AC mains voltage **12**, and in one embodiment, may be approximately 18.5 W when drawn from a 120 Vrms AC power line. Assuming 80% efficiency, the AC/DC converter **14** may, in some cases, safely provide about 16 W to the load.

It is worth noting that the saturation currents may not always be the same for all power converters, and may be substantially different for one or more of the DC/DC converters. In one particular embodiment, the saturation current for the DC/DC converters **32** coupled to the red, green and white LED chains may be about 900 mA. However, since the smaller blue LEDs require less drive current, the DC/DC converter **32** coupled to the blue LED chain may exhibit a saturation current of about 400 mA. The maximum safe current level provided by the DC/DC converters is generally defined as the saturation current ( $I_{sat}$ ) of that converter, and thus, may be about 900 mA for the DC/DC converters coupled to the red, green and white LED chains and about 400 mA for the DC/DC converter coupled to the blue LED chain, in one embodiment.

The saturation current of a power converter is affected by temperature and begins to decline above a certain temperature (e.g., 25° C.). As shown in FIG. **3**, for example, the saturation current decreases roughly linearly with increasing temperatures above 25° C., and may sometimes decrease as much as 30-40% over a 25° C.-100° C. temperature range. This decreasing saturation current reduces the maximum safe current level associated with the DC/DC converters **32** and the maximum safe power level associated with the AC/DC converter **14**. At 75° C., for example, the maximum safe power level of AC/DC converter **14** may only be about 15 W, and the maximum safe current level of DC/DC converters **32** may only be about 750 mA for the red, green and white LED chains and about 330 mA for the blue LED chain.

As known in the art, temperature also affects the drive currents supplied to the LED chains and the lumen output produced thereby. As shown in FIGS. **4-5**, for example, increasing drive currents are typically needed to maintain a consistent lumen output from the LED chains up to a certain temperature (e.g., 25° C.). Above this temperature, decreasing saturation currents in the power converters limit the amount of drive current that can be supplied to the LED chains, which in turn, limits the lumen output. While drive current decreases roughly linearly with increasing temperatures above 25° C. (FIG. **4**) due to decreasing  $I_{sat}$  (FIG. **3**), lumen output decreases roughly with the square of temperature (FIG. **5**), since both drive current and LED efficacy decrease with increasing temperature. While temperature related changes in lumen output may not be noticeable at certain levels of brightness (e.g., 50% or less), a user would observe lumen output decreasing with increasing temperatures above 25° C. at higher levels of brightness (e.g., greater than 50%). If the brightness is set to full scale (100%), for example, the lumen output of the illumination device may decrease as much as 30-40% over the 25° C.-100° C. temperature range, and thus, would be very noticeable.

As the brightness level and color point setting of the illumination device **10** change, the drive currents individually supplied to the LED chains **26** by the DC/DC converters **32** change, which in turn, affects the temperature of the

illumination device. At certain brightness levels and color point settings, the drive current that should be supplied to a given LED chain to achieve the desired settings may exceed a maximum safe current level attributed to a corresponding DC/DC converter **32** at the present operating temperature. For example, if the illumination device is configured to produce saturated green light at 100% brightness, the LED driver circuit **24** may be configured to supply approximately 900 mA of drive current to the green LED chain at 25° C. At 75° C., the maximum safe current attributed to the DC/DC converter **32** may only be 750 mA, which is less than the drive current that should be supplied to the green LED chain. Unless the drive current is reduced from 900 mA to 750 mA or below, an “over-current condition” results, causing the inductive core of the DC/DC converter **32** to saturate. At best, an “over-current condition” would significantly reduce the efficiency of the illumination device. At worst, such condition may cause the power converter to overheat and fail.

At other brightness levels and color point settings, the total power drawn by the combined load (i.e., all LED chains **26**) could exceed a maximum safe power level attributed to the AC/DC converter **14**. For example, if the illumination device were to include chains of RGBW LEDs, and all LED chains were driven with maximum drive currents (e.g., about 900 mA for the white, red and green chains and about 400 mA for the blue chain) to achieve 100% brightness and about 10K light, the white, red, green and blue emission LED chains could consume up to about 10 W, 8 W, 10 W and 5 W, respectively, which is more than twice the maximum power level (e.g., about 16 W) that can be safely drawn from AC/DC converter **14**. This “over-power condition” would saturate the inductive core of the AC/DC converter **14**, and most likely cause the power converter to overheat and fail.

Prior art illumination devices typically address this issue by over engineering the power converters, so that the user cannot specify brightness and color point settings that would result in an over-power or over-current condition. For instance, prior art illumination devices may use an AC/DC converter that provides up to about 40 W instead 16 W of maximum power, and may use inductors with saturation currents of 1 A at 100° C., instead of 1 A at 25° C. However, these power converters increase the cost of the illumination device, consume more space and generate more heat than the preferred embodiments of power converters disclosed herein.

A need remains for improved illumination devices and methods for limiting the load requirements placed on one or more power converters of the illumination device, so as not to exceed a maximum safe current/power level attributed to the power converters when brightness levels and/or color point settings are changed. This need is particularly relevant to multi-colored LED illumination devices that provide dimming and/or color tuning capabilities, since changes in drive current inherently affect the lumen output, color and temperature of the illumination device, as well as the load requirements placed on the power converters. This need is also relevant to illumination devices with power converters rated with reduced load ratings, as such power converters are particularly susceptible to over-current and over-power conditions.

In order to meet these needs, improved illumination devices and methods are provided herein for adjusting the drive currents supplied to the emission LEDs **26**, so as not to exceed a maximum safe current level or a maximum safe power level attributed to one or more power converters of the illumination device at the present operating temperature.

Specifically, improved illumination devices and methods are provided herein for determining a target lumens that can be safely provided by the illumination device at the present operating temperature, and for recalculating the target lumens in response to a change in brightness level, chromaticity setting and/or temperature.

FIGS. **6-13** illustrate various embodiments of methods for adjusting the drive currents supplied to one or more of the emission LED chains, so as not to exceed a maximum safe current level or a maximum safe power level attributed to one or more of the power converters at a present operating temperature. As described in more detail below, the method steps shown in FIGS. **6**, **7A** and **7B** may be used to determine a maximum lumens value (“Max Lumens”) that can be produced by all LED chains at a predetermined safe temperature (e.g., 25° C.) to achieve a particular target chromaticity (“Target Chromaticity”) setting. These steps may be performed when the illumination device is first turned “on,” and may be repeated whenever a change in the Target Chromaticity setting is detected.

In one embodiment, a “predetermined safe temperature” may be a typical ambient temperature. Although an exemplary safe temperature of 25° C. is used herein, a skilled artisan would understand how any temperature, which is within a normal operating range of the illumination device may alternatively be used.

Method steps shown in FIGS. **6** and **11** may be used to determine a scale factor (“Scale Factor”), which can be used to adjust a target lumens (“Target Lumens”) value to ensure that the individual drive currents (“Drive Currents”) needed to achieve the Target Chromaticity setting and the total power (“Total Power”) drawn by all LED chains at the predetermined safe temperature do not exceed a maximum safe current level (“Max Current”) or a maximum safe power level (“Max Power”) of the power converters at a present operating temperature. The method steps shown in FIGS. **12A** and **12B** may be used to adjust the Target Lumens value to account for changes in the brightness (“Brightness”) setting and/or to adjust the Scale Factor to account for changes in brightness due to temperature changes. In most cases, the method steps shown in FIGS. **12A-12B** may be performed after those shown in FIGS. **6**, **7A** and **7B**. If no changes are made to either the Target Chromaticity or Brightness settings, the method steps shown in FIGS. **13A-13B** may be used to continually or periodically update the Scale Factor to account for temperature related changes in the Drive Currents, Total Power, Max Current and Max Power.

The methods illustrated in FIGS. **6-13** may be utilized by an improved illumination device in accordance with the present invention, and may be performed by several different components included within such a device. In some embodiments, the method steps performed by the control circuit **22** may be implemented as program instructions, which are stored on a storage medium (e.g., storage medium **23**) and executed on a processing device (included, e.g., within control circuit **22**). In other embodiments, the control circuit may comprise hardware logic, or a combination of hardware logic and program instructions, for implementing the method steps described herein. In either embodiment, at least some of the method steps shown in FIGS. **6-13** are performed outside of a processing device by other components of the illumination device. For example, an operating temperature of the illumination device can be measured by a temperature sensor **28** included within the illumination device **10**, and lamp settings can be set or changed through an interface **20** of the illumination device **10**. Once a desired



Target Lumens value is determined for a particular set of lamp settings at a present operating temperature, drive circuitry **24** within the illumination device **10** may be used to adjust the drive currents supplied to the respective LED chains to achieve the desired Target Lumens value.

The methods illustrated in FIGS. **6-13** assume that an illumination device employing such methods includes at least one emitter module comprising a plurality of emission LED chains, wherein at least one LED chain is configured for emitting a different peak wavelength (i.e., a different color of light) than the other LED chains. According to one embodiment, each emitter module may include a chain of red LEDs, a chain of green LEDs, a chain of blue LEDs and a chain of white LEDs, as discussed above. However, the methods described herein are not limited to any particular number or color of LED chains, and may be generally applied to an emitter module comprising at least two chains of differently colored LEDs (e.g., white and red LEDs, or white and blue LEDs).

The methods illustrated in FIGS. **6-13** also assume that the brightness level and color point setting of the illumination device can be changed. According to one embodiment, a 16-bit brightness variable may be supplied to the illumination device to set the brightness level, while a 16-bit x chromaticity variable, a 16-bit y chromaticity variable and a 16-bit white mix variable may be supplied to set the color point or target chromaticity of the illumination device. However, the methods described herein are not limited to 16-bit variables, nor are they limited to defining chromaticity values in terms of x and y coordinates. A skilled artisan would understand how the brightness level and color point setting of the illumination device may be alternatively defined without departing from the scope of the invention.

The methods illustrated in FIGS. **6-13** further assume that various electrical and optical characteristics of the emission LEDs were previously calibrated over a plurality of different drive currents and ambient temperatures during manufacturing of the illumination device, and that the calibration results were stored within a table of calibration values within a storage medium of the illumination device. According to one embodiment, an exemplary calibration table may include a plurality of luminous flux values, a plurality of x chromaticity values, a plurality of y chromaticity values and a plurality of emitter forward voltage values, which were previously obtained from each emission LED chain at a plurality of different drive currents (e.g., 10%, 30% and 100% of a max drive current) and at least two different ambient temperatures (e.g., T<sub>0</sub> and T<sub>1</sub>). Exemplary calibration methods that may be used to obtain such calibration values are described, e.g., in co-pending application Ser. Nos. 14/314,451 and 14/471,057. In one example, the calibration values may be obtained at the predetermined safe temperature (e.g., T<sub>0</sub>=25° C.) associated with the power converters and also at a substantially higher temperature (e.g., T<sub>1</sub>=85° C.). However, the calibration values may be obtained at other ambient temperatures, as described further in the previously mentioned co-pending applications.

As shown in FIG. **6**, embodiments of an improved method may generally begin when a change in one or more lamp settings is detected (in step **50**). Examples of lamp settings that can be changed include, but are not limited to, turning the illumination device “on,” or changing a brightness level or a color point setting of the illumination device. In FIG. **6**, a change in lamp settings is detected (in step **50**) whenever a change in the target chromaticity setting (step **52**) and/or a change in the brightness level (step **64**) is detected during operation of the illumination device (i.e., when the illumi-

nation device is “on”). As noted above, these settings may be changed by a building controller and/or by a user (via interface **20**, for example) for altering an illumination state of the illumination device, and changes in such settings may be detected by control circuitry (e.g., control circuit **22**, FIG. **1**) included within the illumination device.

In some embodiments, a change in lamp settings may be detected (in step **50**) when the illumination device is first turned “on,” so that a Max Lumens value and a Scale Factor value may be initially calculated. In other embodiments, the method may reset the Scale Factor value to “1” and retrieve a previously calculated Max Lumens value from memory (e.g., storage medium **23**, FIG. **1**) when the illumination device is first turned “on.” The previously calculated Max Lumens value retrieved from memory may be, for example, a Max Lumens value calculated for a default chromaticity setting or the last target chromaticity setting stored within the illumination device before the illumination device was turned “off.”

If a change in target chromaticity is detected (in step **52**), the method may determine or recalculate the maximum lumen value (“Max Lumens”) produced by all LED chains to achieve the target chromaticity setting at the predetermined safe temperature (e.g., 25° C.) (in step **54**). When driven with a maximum drive current, each LED chain produces a certain number of maximum lumens at 25° C. (otherwise referred to herein as a “maximum lumens output”). In one embodiment, the maximum lumens output produced by chains of four white, red, green and blue LEDs may be 1000 lumens, 250 lumens, 400 lumens, and 50 lumens, respectively, at 25° C. when each chain is driven with its maximum drive current. The maximum lumens output produced by each LED chain at the predetermined safe temperature may be stored within a storage medium of the illumination device and used to determine to determine the Max Lumens value that can be safely produced by all LED chains combined.

In order to determine the Max Lumens that can be safely produced by all LED chains combined, one LED chain is chosen to provide its maximum lumens output at 25° C. and the lumens needed from the other chains to produce the Target Lumens value are determined. If the needed lumens are greater than the Max Lumens, the lumens of all chains are scaled down proportionally by a Scale Factor value. In some embodiments, the LED chain providing maximum lumens output may be chosen based on the target chromaticity and white mix settings chosen for the illumination device.

FIGS. **7A** and **7B** are flowchart diagrams illustrating one embodiment of a method, which can be used to determine the Max Lumens value (in step **54**). As shown in FIG. **7A**, the method may generally begin (in step **70**) by determining the lumen proportions that are needed from each LED chain to achieve the Target Chromaticity setting at the predetermined safe temperature. Exemplary method steps for determining the lumen proportions for each LED chain are shown in FIG. **7B**. In step **72**, for example, the method may determine the drive currents (I<sub>drv</sub>), which are presently supplied to each of the LED chains by the LED driver circuitry. In step **74**, the method may determine the chromaticity values (x<sub>i</sub>, y<sub>i</sub>) that are expected for each LED chain using a forward voltage (V<sub>fe\_safe</sub>) value, which was previously calibrated for each LED chain at the predetermined safe temperature, the drive current (I<sub>drv</sub>) presently supplied to each LED chain, a table of calibration values stored within the illumination device, and one or more interpolation techniques.

The graphs shown in FIGS. 8-9 depict how one or more interpolation technique(s) may be used to determine the expected x and y chromaticity values ( $x_i$ ,  $y_i$ ) for a given LED chain at the predetermined safe temperature ( $V_{fe\_safe}$ ) and the present drive current ( $I_{drv}$ ) from a table of stored calibration values. In FIGS. 8-9, the solid dots (●) represent examples of x and y chromaticity calibration values, which were previously obtained during calibration of the illumination device at three different drive currents (e.g., 10%, 30% and 100% of the maximum drive current) and two different temperatures (e.g., T0 and T1) and stored within the table of calibration values. Exemplary methods for obtaining such calibration values are described in co-pending application Ser. Nos. 14/314,451 and 14/471,057, which are incorporated herein in their entirety. The stored calibration values are not limited to only those shown in FIGS. 8-9.

In some embodiments, two interpolation techniques may be needed to determine the expected x and y chromaticity values ( $x_i$ ,  $y_i$ ) for a given LED chain at the predetermined safe temperature ( $V_{fe\_safe}$ ) and the present drive current ( $I_{drv}$ ). As shown in FIGS. 8-9, e.g., a first linear interpolation may be applied to the stored calibration values (●) to calculate the x and y chromaticity values ( $\Delta$ ), which should be produced at the predetermined safe temperature ( $V_{fe\_safe}$ ) when using the same three drive currents (e.g., 10%, 30%, and 100% of the maximum drive current) used during the calibration phase. If the drive current ( $I_{drv}$ ) presently supplied to the LED chain differs from one of the calibrated drive current levels, a second interpolation may be applied to the calculated x and y chromaticity values ( $\Delta$ ) to generate a relationship there between (denoted by the solid line in FIGS. 8-9). The second interpolation may be linear or non-linear depending on the color of the LED chain. From this relationship, the expected x and y chromaticity values ( $x_i$ ,  $y_i$ ) for a given LED chain may be determined for the present drive current ( $I_{drv}$ ).

In other embodiments, only one interpolation technique may be needed to determine the x and y chromaticity values ( $x_i$ ,  $y_i$ ) that are expected for a given LED chain at the predetermined safe temperature ( $V_{fe\_safe}$ ) and the present drive current ( $I_{drv}$ ). For example, if at least some of the x and y chromaticity calibration values (●) were previously measured at the predetermined safe temperature (i.e., if  $T0=25^\circ\text{C}$ .), a linear interpolation technique may be applied directly to the stored calibration values (●) to determine a relationship there between (denoted by the dashed line at  $V_{fe}@T0$  in FIGS. 8-9). From this relationship, the expected x and y chromaticity values ( $x_i$ ,  $y_i$ ) for a given LED chain may be determined for the present drive current ( $I_{drv}$ ).

The x and y chromaticity values expected for each emission LED chain may be expressed as a color point in the form of ( $x_i$ ,  $y_i$ ). In an illumination device comprising four LED chains, for example, step 74 of FIG. 7B may result in the generation of four expected color points: ( $x_1$ ,  $y_1$ ), ( $x_2$ ,  $y_2$ ), ( $x_3$ ,  $y_3$ ), and ( $x_4$ ,  $y_4$ ). Once the expected color points are determined, the expected color points can be used to determine the lumen proportions that are needed from each of the LED chains to achieve the Target Chromaticity ( $x_m$ ,  $y_m$ ) setting for the illumination device (in step 76). As indicated above, the Target Chromaticity ( $x_m$ ,  $y_m$ ) setting may be stored with a storage medium of the illumination device, and in some embodiments, may include a 16-bit x chromaticity variable and a 16-bit y chromaticity variable. If a white LED is included within the illumination device, a 16-bit white mix variable may be combined with the 16-bit x and y chromaticity values to further define the Target Chromaticity ( $x_m$ ,  $y_m$ ) setting.

Since lumen proportions are desired, a Target Lumens ( $Y_m$ ) value of "1" is assumed in the calculation of the lumen proportions in step 76 of FIG. 7B. For example, if four emission LED chains are included within the illumination device, the Target Lumens ( $Y_m$ ) for the combined light from all LED chains may be expressed as:

$$Y_m = Y_1 + Y_2 + Y_3 + Y_4 = 1$$

where  $Y_1$ ,  $Y_2$ ,  $Y_3$ , and  $Y_4$  represent the lumen proportions of the four emission LED chains. These lumen proportions ( $Y_1$ ,  $Y_2$ ,  $Y_3$  and  $Y_4$ ) may be calculated using well-known color mixing equations, the Target Chromaticity ( $x_m$ ,  $y_m$ ) values set within the illumination device, and the expected color points ( $x_1$ ,  $y_1$ ), ( $x_2$ ,  $y_2$ ), ( $x_3$ ,  $y_3$ ), ( $x_4$ ,  $y_4$ ) determined in step 74 of FIG. 7B. As these equations are well-known and readily understood by a skilled artisan, further description of such equations will be omitted herein. In one example, the lumen proportions determined in step 76 may be 0.2, 0.2, 0.2 and 0.4 for chains of red, green, blue and white LEDs, respectively. Of course, substantially different lumen proportions may be determined for different Target Chromaticity values and different combinations of LED chains.

Once the lumen proportions (e.g.,  $Y_1$ ,  $Y_2$ ,  $Y_3$ , and  $Y_4$ ) are calculated for each emission LED chain in step 76 of FIG. 7B, the method calculates the Relative Lumens needed from each LED chain at  $25^\circ\text{C}$ . to achieve the lumen proportions in step 78 of FIG. 7A. In calculating the Relative Lumens, one of the LED chains is assumed to be driven with a maximum drive current to produce a maximum lumen output, as described above. For example, the method may assume that a chain of white LEDs is driven with a maximum drive current (e.g., 900 mA) to produce a maximum lumen output of, e.g., 1000 lumens. If the lumen proportions determined in step 76 are 0.2, 0.2, 0.2 and 0.4 for chains of red, green, blue and white LEDs, the Relative Lumens needed from each LED chain to achieve the lumen proportions would be 500 lumens from the red LED chain, 500 lumens from the green LED chain, 500 lumens from the blue LED chain, and 1000 lumens from the white LED chain.

In step 80, the Relative Lumens from step 78 are divided by the maximum lumens that can be produced by each LED chain at  $25^\circ\text{C}$ . (which is known and stored in memory as discussed above) to determine a ratio of Relative Lumens over maximum lumens for each LED chain. In the above example, a ratio of Relative Lumens over maximum lumens may be:

$$\begin{aligned} 500/250 &= 2 \text{ for the red LED chain;} \\ 500/400 &= 1.25 \text{ for the green LED chain;} \\ 500/50 &= 10 \text{ for the blue LED chain;} \text{ and} \\ 1000/1000 &= 1 \text{ for the white LED chain.} \end{aligned}$$

In step 82, the Actual Lumens needed from each LED chain to achieve the Target Chromaticity at  $25^\circ\text{C}$ . is determined by dividing the Relative Lumens from step 78 by the largest ratio calculated in step 80. In the above example, the LED chain with the largest ratio (e.g., 10) is the blue LED chain. Thus, the Actual Lumens may be determined in the current example by dividing the Relative Lumens (e.g., 500, 500, 500 and 1000 lumens) determined in step 78 for the red, green, blue and white LED chains by 10 to achieve an Actual Lumens of 50 lumens from the red LED chain, 50 lumens from the green LED chain, 50 lumens from the blue LED chain, and 100 lumens from the white LED chain.

In step 84, the Actual Lumens from all LED chains are summed to determine the Max Lumens that can be produced by all LED chains at  $25^\circ\text{C}$ . In the current example, a Max Lumens of  $50+50+50+100=250$  lumens is determined (in

step 84) and temporarily stored in memory (in step 86). Once the Max Lumens value is determined, process flow returns to step 56 of FIG. 6.

Step 56 of FIG. 6 determines the Drive Currents (Ix) that are needed from each LED chain to produce the Actual Lumens for each chain at the predetermined safe temperature. According to one embodiment, the Drive Currents (Ix) may be determined using a forward voltage (Vfe\_safe), which was previously calibrated for each LED chain at the predetermined safe temperature, the Actual Lumens values determined in step 82 for each LED chain, the table of calibration values stored within the illumination device, and one or more interpolation techniques.

The graph shown in FIG. 10 depicts how one or more interpolation technique(s) may be used to determine the Drive Currents (Ix) needed from each LED chain (in step 56) to produce the Actual Lumens (Lx) determined in step 82 of FIG. 7A. In FIG. 10, the solid dots (●) represent exemplary luminous flux calibration values, which were previously obtained during calibration of the illumination device at three different drive currents (e.g., 10%, 30% and 100% of the maximum drive current) and two different temperatures (e.g., T0 and T1) and stored within the table of calibration values. Exemplary methods for obtaining such calibration values are described in co-pending application Ser. Nos. 14/314,451 and 14/471,057, which are incorporated herein in their entirety. The stored calibration values are not limited to only those shown in FIG. 10.

In some embodiments, two interpolation techniques may be needed to determine the Drive Currents (Ix) that are respectively needed for each LED chain to produce the Actual Lumens (Lx) determined in step 82. For example, a first linear interpolation may be applied to the stored luminous flux calibration values (●) to calculate the luminous flux values (Δ), which should be produced at the predetermined safe temperature (Vfe\_safe) when using the same three drive currents (e.g., 10%, 30%, and 100% of the maximum drive current) used during the calibration phase. If the Actual Lumens (Lx) produced by a given LED chain differs from one of the calculated luminous flux values (Δ), a second interpolation may be applied to the calculated luminous flux values to generate a relationship there between (denoted by the solid line in FIG. 10). The second interpolation may be linear or non-linear depending on the color of the LED chain. From this relationship, the Drive Currents (Ix) needed for a given LED chain to produce the Actual Lumens (Lx) may be determined.

In other embodiments, only one interpolation technique may be used to determine the Drive Currents (Ix) that are needed for each LED chain to produce the Actual Lumens (Lx) determined in step 82. For example, if the luminous flux calibration values (●) were previously measured at the predetermined safe temperature (i.e., if T0=25° C.), a linear or non-linear interpolation technique may be applied directly to the stored luminous flux calibration values (●) to determine a relationship there between (denoted by the dashed line at Vfe @ T0 in FIG. 10). From this relationship, the Drive Currents (Ix) needed for a given LED chain to produce the Actual Lumens (Lx) may be determined.

Once the Drive Currents are known, the total power ("Total Power") drawn by all LED chains at the predetermined safe temperature may be estimated (in step 58). The Total Power drawn by all LED chains is the sum of the power drawn by each individual chain (e.g., P1+P2+P3+P4 when four LED chains are included). In one embodiment, the power drawn by each individual LED chain can be estimated by multiplying a respective Drive Current (Ix)

with a forward voltage value (Vfe\_est) estimated for that Drive Current at 25° C. In one example, the forward voltage values (Vfe\_safe) that were previously calibrated for each LED chain at 25° C. may be scaled (e.g., by some fixed amount or by using characterization data and a curve fitting approach) to estimate the forward voltage values (Vfe\_est) corresponding to the Drive Currents.

In step 60, a Scale Factor is generated for adjusting a Target Lumens value set for the illumination device to ensure that the Drive Currents determined for each LED chain (in step 56) and the estimated Total Power drawn by all LED chains (in step 58) at the predetermined safe temperature will not exceed a maximum safe current level ("Max Current") or a maximum safe power level ("Max Power") attributed to the power converters (e.g., power converters 14 and 32 of FIGS. 1-2) of the illumination device at the predetermined safe temperature.

FIG. 11 is a flowchart diagram illustrating one embodiment of a method, which can be used to generate a Scale Factor for a predetermined safe temperature. As shown in FIG. 11, the Scale Factor value may be temporarily set to "1" (in step 90) for a first iteration of possibly multiple iterations used to generate the Scale Factor value. In this embodiment, the maximum safe current level ("Max Current") and the maximum safe power level ("Max Power") attributed to the power converter(s) may then be determined for the predetermined safe temperature (in step 94).

As shown in FIG. 3, the saturation current ( $I_{sat}$ ) associated with a power converter decreases linearly with increasing temperatures above the predetermined safe temperature (e.g., 25° C.), and in some cases, may decrease as much as 30-40% over a 25° C.-100° C. temperature range. This decreasing saturation current decreases the Max Current associated with the DC/DC converters 32 and the Max Power associated with the AC/DC converter 14. In some embodiments, a relationship of  $I_{sat}$  vs. temperature may be stored within a storage medium of the illumination device (e.g., storage medium 23) for each power converter. In one example, the slope and intercept of the  $I_{sat}$  vs. temperature relationship shown in FIG. 3 may be stored for each power converter. While the relationship of  $I_{sat}$  vs. temperature may be similar for each power converter, slightly different slope and intercept values may be stored so that each power converter can be individually characterized.

From the stored  $I_{sat}$  vs. temperature relationships, the Max Current associated with each of the DC/DC converters 32 and the Max Power associated with the AC/DC converter 14 may be determined at the predetermined safe temperature by linearly interpolating between the stored values (in step 94). In one embodiment, the Max Current at 25° C. may be approximately 900 mA for the white, red and green LED chains and approximately 400 mA for the blue LED chain, and the Max Power at 25° C. may be approximately 16 W.

In step 96, a ratio of Max Power (from step 94) over Estimated Total Power (from step 58) is calculated for the AC/DC converter 14. In step 98, a ratio of Max Current (from step 94) over Drive Current for each LED chain (from step 56) is calculated for each of the DC/DC converters 32. The smallest of the ratios calculated in steps 96 and 98 is multiplied with the Scale Factor value (e.g., "1" from step 90 if on first iteration) and the result is stored as a new Scale Factor value (in step 100). If the result is greater than 1, the new Scale Factor value is clipped at 1.

As noted above, the Drive Currents (Ix) determined in step 56 of FIG. 6 were calculated under the assumption that one LED chain was driven with a maximum drive current to provide a maximum lumen output (step 78 of FIG. 7A). This

means that one of the Max Current/Drive Current ratios determined in step 98 will be "1" (for the LED chain driven with maximum drive current), and the Max Current/Drive Current ratios for the other LED chains should be values less than or equal to "1." The Max Power/Total Power ratio may be more or less than one, depending on the combined Drive Currents (step 56) needed to achieve the Target Chromaticity. The smallest of the ratios calculated in steps 96 and 98 is used in step 100 to generate the Scale Factor. In one example, a Scale Factor of 0.5 may be generated in step 100 if the estimated Total Power is twice as much as the Max Power.

Once the Scale Factor is determined (in step 100), a Target Lumens value is calculated (in step 62 of FIG. 6) according to the equation:

$$\text{Target Lumens} = \text{Brightness} * \text{Max Lumens} * \text{Scale Factor}$$

where "Brightness" typically refers to the brightness setting stored within the illumination device, "Max Lumens" refers to the Max Lumens value calculated in step 54, and "Scale Factor" refers to the scale factor generated in step 100. In this step, however, the Target Lumens value is calculated with the Brightness value temporarily set to "1," and the results of the calculation are used to update the stored Max Lumens value. In some embodiments, the method may proceed immediately to FIG. 12A to adjust the Target Lumens value to account for changes in the Brightness setting and/or to adjust the Scale Factor value to account for changes in brightness due to temperature changes.

In some embodiments, steps 54-62 of FIG. 6 may be repeated a number of times to minimize errors. For example, as the Scale Factor reduces, the Target Lumens value determined in step 62 reduces, which decreases the drive currents supplied to the LED chains, improves LED efficiency and changes the relative drive currents between the LED chains. When this occurs, it may be beneficial to repeat steps 54-62 to determine the chromaticity values that are expected for each LED chain at the new drive currents supplied thereto to provide a more accurate representation of the Max Lumens value. For all subsequent iterations of steps 54-62, step 90 of FIG. 11 is not performed and the previous Scale Factor value is used instead, so that the Scale Factor changes less and less with each iteration. The Max Lumens value is not updated with the Target Lumens value calculated in step 62 until all iterations are complete.

If a change in Brightness setting is detected (in step 64 of FIG. 6), the method may also proceed to FIG. 12A (in step 66). Although similar method steps are shown in FIGS. 6 and 12A, the method shown in FIG. 12A determines the Drive Currents that should be supplied to the LED chains, estimates the Total Power that should be drawn by the LED chains, and generates the Scale Factor at the present operating temperature, instead of the predetermined safe temperature used in steps 56, 58 and 60 of FIG. 6. This provides more accurate Drive Currents, Estimated Total Power and Scale Factor values for the present operating temperature. The method shown in FIG. 12A also calculates the Target Lumens using the brightness setting stored within the illumination device, and thus, provides a more accurate Target Lumens value.

In some embodiments, the method shown in FIG. 12A may begin by temporarily resetting the Scale Factor to "1" and loading the brightness setting (in step 102), for example, from the interface 20 or storage medium 23 of the illumination device. In step 104, the Target Lumens value is again calculated according to the equation:

$$\text{Target Lumens} = \text{Brightness} * \text{Max Lumens} * \text{Scale Factor}$$

this time using the brightness setting stored within the illumination device and retrieved in step 102, the Max Lumens value stored in step 62 of FIG. 6, and the Scale Factor set to "1." Since the Scale Factor is temporarily set to "1" in step 102, the Target Lumens value calculated in step 104 may be considered a temporary Target Lumens value.

In step 106, the method determines the Actual Lumens needed from each LED chain to achieve the Target Lumens value (from step 104) at the present operating temperature. Exemplary method steps for determining the Actual Lumens needed from each LED chain are shown in FIG. 12B. While the method steps shown in FIG. 12B are similar to those shown in FIG. 7B and discussed above, there are two exceptions.

First, the x and y chromaticity values expected for each LED chain are determined (in step 114) at the present operating temperature, instead of the predetermined safe temperature, by measuring a forward voltage (Vfe\_present) presently developed across each LED chain. This is achieved during operation of the illumination device by periodically turning all LED chains "off" for short periods of time (in step 108), applying a relatively small, non-operative drive current to each LED chain, one chain at a time, during the short durations of time, and measuring the forward voltage (Vfe\_present) developed there across (in step 110). Methods for measuring a forward voltage are described further in co-pending application Ser. Nos. 14/314,530; 14/314,580; and 14/471,081. After the forward voltages are measured across each LED chain, the drive currents (I\_drv) supplied to the LED chains to produce illumination are determined (in step 112) from the LED driver circuitry. In step 114, the x and y chromaticity values expected for each LED chain (x<sub>i</sub>, y<sub>i</sub>) are determined using the forward voltage (Vfe\_present) measured in step 110, the drive current determined in step 112, a table of stored calibration values and one or more interpolation techniques. The x and y chromaticity values expected for each LED chain (x<sub>i</sub>, y<sub>i</sub>) may be determined in the same manner described above in step 74 of FIG. 7B and shown in FIGS. 8-9, except that the chromaticity values are determined for Vfe\_present, instead of Vfe\_safe.

As a second distinction, the method shown in FIG. 12B calculates the Actual Lumens needed from each LED chain to achieve the Target Chromaticity (x<sub>m</sub>, y<sub>m</sub>) setting and the Target Lumens (Y<sub>m</sub>) in step 116. Although Actual Lumens are calculated (in step 116 of FIG. 12B) instead of lumen proportions (in step 76 of FIG. 7B), the process is essentially the same. For example, the Target Lumens (Y<sub>m</sub>) for the combined light from four LED chains may be expressed as:

$$Y_m = Y_1 + Y_2 + Y_3 + Y_4$$

In this case, however, Y<sub>m</sub> is not set to "1," so that Y<sub>1</sub>, Y<sub>2</sub>, Y<sub>3</sub>, and Y<sub>4</sub> represent the Actual Lumens needed from the four LED chains to produce the Target Lumens (Y<sub>m</sub>) value determined in step 104. The Actual lumens (Y<sub>1</sub>, Y<sub>2</sub>, Y<sub>3</sub> and Y<sub>4</sub>) may be calculated using well-known color mixing equations, the Target Chromaticity (x<sub>m</sub>, y<sub>m</sub>) values set within the illumination device, and the expected color points (x<sub>1</sub>, y<sub>1</sub>), (x<sub>2</sub>, y<sub>2</sub>), (x<sub>3</sub>, y<sub>3</sub>), (x<sub>4</sub>, y<sub>4</sub>) determined in step 114 of FIG. 12B. As these equations are well-known and readily understood by a skilled artisan, further description of such equations will be omitted herein.

In step 118, the Drive Currents (I<sub>x</sub>) needed for each LED chain to produce the Actual Lumens at the present operating temperature are determined. According to one embodiment, the Drive Currents may be determined using the forward

voltage (Vfe\_present) measured for each LED chain in step 110, the Actual Lumens determined for each LED chain in step 106/116, the table of calibration values stored within the illumination device, and one or more interpolation techniques. The Drive Currents needed for each LED chain may be determined in the same manner described above in step 56 of FIG. 6 and shown in FIG. 10, except that the Drive Currents are determined at Vfe\_present, instead of Vfe\_safe.

In step 120, the total power ("Total Power") drawn by all LED chains at the present operating temperature is estimated. As noted above, the power drawn by each LED chain can be estimated by multiplying a respective Drive Current determined in step 118 with a forward voltage value (Vfe\_est), which is estimated for that Drive Current level at the present operating temperature. The Total Power drawn by all LED chains can then be calculated by summing the power drawn by each chain (e.g., P1+P2+P3+P4 when four LED chains are included). In one example, the forward voltage (Vfe\_safe) values that were previously calibrated for each LED chain at 25° C. may be scaled (e.g., by some fixed amount or by using characterization data and a curve fitting approach) to estimate the forward voltage (Vfe\_est) values corresponding to the respective Drive Currents at the present operating temperature. Alternatively, the forward voltages (Vfe\_present) measured for each LED chain in step 110 may be scaled to estimate the forward voltage (Vfe\_est) values corresponding to the respective Drive Currents at the present operating temperature.

In step 122, a Scale Factor is generated for adjusting the Target Lumens value to ensure that the Drive Currents determined for each LED chain (in step 118) and the estimated Total Power drawn by all LED chains (in step 120) at the present operating temperature will not exceed a maximum safe current level ("Max Current") or a maximum safe power level ("Max Power") attributed to the power converters (e.g., power converters 14 and 32 of FIGS. 1-2) at the present operating temperature.

An exemplary method for generating a Scale Factor for a predetermined safe temperature was described above with respect to FIG. 11. In step 122 of FIG. 12A, a Scale Factor is generated at the present operating temperature, instead of the predetermined safe temperature. While a similar method is used, additional method steps may be needed to generate the Scale Factor at the present operating temperature.

Returning to FIG. 11, the Scale Factor value is again temporarily set to "1" (in step 90). However, in this case, the present operating temperature is measured (in step 92) before the Max Power and Max Currents are determined for the power converters (in step 94). According to one embodiment, the present operating temperature can be measured by a temperature sensor (e.g., temperature sensor 28, FIG. 1), which is coupled to a circuit board or chip comprising one or more of the power converters, control circuit, driver circuitry and emission LEDs. Once the present operating temperature is measured (in step 92), the Max Current associated with each of the DC/DC converters 32 and the Max Power associated with the AC/DC converter 14 may be determined at the present operating temperature (in step 94), instead of the predetermined safe temperature.

As noted above, the Max Current may be approximately 900 mA for the white, red and green LED chains and approximately 400 mA for the blue LED chain at 25° C., and the Max Power may be approximately 16 W at 25° C. However, these values decrease significantly above the safe operating temperature. At a present operating temperature of about 75° C., for example, the Max Current of the DC/DC converters 32 and the Max Power of the AC/DC converter

14 may only be about 80% of their safe temperature (25° C.) values. Step 94 of FIG. 11 determines the Max Current and Max Power values for the power converters at the present operating temperature. According to one embodiment, the Max Current and Max Power values may be determined by linearly interpolating between the stored slope and intercept values corresponding to the  $I_{sat}$  vs. temperature relationships (FIG. 3) attributed to each of the power converters.

In step 96, a ratio of Max Power (from step 94) over Estimated Total Power (from step 58) is calculated for the AC/DC converter 14. In step 98, a ratio of Max Current (from step 94) over Drive Current for each LED chain (from step 56) is calculated for each of the DC/DC converters 32. The smallest of the ratios calculated in steps 96 and 98 is multiplied with the Scale Factor value (e.g., "1" from step 90 if on first iteration) and the result is stored as a new Scale Factor value (in step 100). If the result is greater than 1, the new Scale Factor value is clipped at 1.

Once the Scale Factor is generated (in step 122), the Target Lumens value is again calculated (in step 124) according to the equation:

$$\text{Target Lumens} = \text{Brightness} * \text{Max Lumens} * \text{Scale Factor}$$

using the brightness setting stored within the illumination device, the Max Lumens value calculated in step 62 of FIG. 6, and the scale factor generated in step 122 of FIG. 12A. When operating temperatures are less than or equal to the predetermined safe temperature, the method described thus far provides a precise lumen output for the particular chromaticity, white mix and brightness level settings selected for the illumination device. Above the predetermined safe temperature, the Scale Factor generated in step 122 scales the lumen output with temperature, so as not to exceed the Max Power or Max Current associated with the power converters at the present operating temperature. This avoids an "over-power" or "over-current" condition in the power converters, which improves lamp efficiency and prevents saturation of the inductive core.

In some embodiments, the drive currents supplied to the LED chains may be adjusted in step 126 (via driver circuitry 24, for example) to achieve the new Target Lumens value calculated in step 124. The illumination device may produce illumination at the new drive current levels, and the method may continue to monitor for changes in lamp settings in step 50 of FIG. 6.

In other embodiments, steps 106-124 of FIGS. 12A and 12B may be repeated a predetermined number of times to minimize errors before the drive currents are adjusted in step 126. For example, as the Scale Factor reduces with increasing temperatures above 25° C., the Target Lumens value determined in step 124 decreases, which improves LED efficiency and changes the relative drive currents between the LED chains. When this occurs, it may be beneficial to repeat steps 106-124 to determine the chromaticity values that are expected (in step 114) for each LED chain at the new drive currents to provide a more accurate representation of the Max Lumens value. For all subsequent iterations of steps 106-124, however, step 90 of FIG. 11 is not performed and the previous Scale Factor value is used instead, so that the Scale Factor changes less and less with each iteration.

In yet other embodiments, one or more of the compensation methods described in co-pending application Ser. Nos. 14/314,530; 14/314,580; and 14/471,081 may be performed to fine tune the drive currents before the adjusted drive currents are supplied to the LED chains (in step 126).

The method shown in FIGS. 12A and 12B is assumed to include all such embodiments.

By performing the method steps illustrated in FIGS. 6-12B and described above, the control circuitry (e.g., control circuit 22, FIG. 1) of an illumination device is able to control the respective drive currents supplied to the emission LED chains (e.g., LED chains 26) by the driver circuits (e.g., driver circuitry 24), so as not to exceed a maximum safe power level ("Max Power") and/or a maximum safe current level ("Max Current") attributed to the power converters (e.g., AC/DC converter 14, DC/DC converters 32) at the present operating temperature. As noted above, the methods shown in FIGS. 6-12B are generally performed when the illumination device is first turned "on," and any time a change in lamp settings (e.g., target chromaticity, white mix and/or brightness level) is detected during normal operation of the illumination device. However, since the Max Power and Max Current that can be safely produced by the AC/DC and DC/DC power converters are affected by changes in temperature (above the predetermined safe temperature), additional steps may be needed to fine tune the drive currents during operation of the illumination device when no changes in lamp settings are detected.

If no changes in lamp settings are detected in step 50 of FIG. 6, the method may proceed (in step 68) to the normal operation mode shown in FIG. 13A. During normal operation, in which no changes are made to the brightness level or the target chromaticity or white mix variables stored within the illumination device, the drive currents supplied to the LED chains are continually or periodically updated as the operating temperature changes over time. As drive currents increase, the operating temperature increases, which decreases the Max Current and the Max Power associated with the power converters. The method shown in FIG. 13A is used during normal operation of the illumination device to continually or periodically adjust the Scale Factor value, so as to account for temperature related changes in the Drive Current, Total Power, Max Current and/or Max Power.

In some embodiments, the method shown in FIG. 13A may begin by re-measuring the present operating temperature (in step 128). As noted above, the present operating temperature may be measured by a temperature sensor (e.g., temperature sensor 28, FIG. 1), which is coupled to a circuit board or chip comprising, e.g., one or more of the power converters, control circuit, driver circuitry and/or emission LEDs. Other means for measuring the present operating temperature may also be used.

In some embodiments, the operating temperature measured in step 128 of FIG. 13A may be compared to a previously measured operating temperature to determine if the operating temperature has changed by a certain amount. In one embodiment, a change in temperature may be detected (in optional step 130) if the operating temperature changes by about 1° C. However, the detecting step is not limited to any particular increment of temperature, may be configured to detect substantially any predetermined difference in operating temperature, and may not be performed in all embodiments.

If no change in temperature is detected (in optional step 130), the method may proceed to step 50 of FIG. 6 to continue monitoring for changes in lamp settings. If no changes in lamp settings are detected in step 50 of FIG. 6, the method may continually or periodically monitor the present operating temperature in step 128 of FIG. 13A until a change in operating temperature is detected (in step 130). If optional step 130 is not included, method steps 128-156

may be performed continually or periodically, whilst no changes in lamp settings are detected, to update the Scale Factor to account for temperature related changes.

If a change in operating temperature is detected (in optional step 130), the Actual Lumens needed from each LED chain to achieve the Target Chromaticity ( $x_m$ ,  $y_m$ ) setting stored within the illumination device and the most recently calculated Target Lumens ( $Y_m$ ) may be determined in step 132 for the new present operating temperature, as described above in step 106 of FIG. 12A. In step 134, the Drive Currents ( $I_x$ ) needed to produce the Actual Lumens at the present operating temperature may be determined for each LED chain, as described above in step 118 of FIG. 12A. In step 136, the Drive Currents ( $I_x$ ) determined in step 134 may be supplied to the LED chains via the LED driver circuitry.

In step 138, the Total Power actually drawn by all LED chains at the present operating temperature is calculated by summing the power drawn by each individual LED chain (e.g.,  $P_1+P_2+P_3+P_4$ ). As noted above, the power drawn by each LED chain may be calculated by multiplying the drive current presently supplied to the LED chain with a forward voltage corresponding to that drive current. In this case, however, the forward voltage values are not estimated. Instead, each forward voltage value is calculated by multiplying an input voltage supplied to a respective DC/DC converter (e.g., DC/DC converters 32 of FIG. 2) by the duty cycle of that converter. This provides a more accurate representation of the Total Power actually being drawn by all LED chains, compared to the estimates determined in steps 58 and 120.

In step 140, the Scale Factor value is updated to account for any changes in the maximum safe current level ("Max Current") and/or the maximum safe power level ("Max Power") of the power converter(s) at the new present operating temperature. An exemplary method for updating the Scale Factor value is shown in FIG. 13B.

Several of the method steps used in FIG. 13B to update the Scale Factor value are similar to the ones used in FIG. 11 to generate the Scale Factor value. For example, FIG. 13B may begin (in step 142) by determining the Max Power and the Max Current attributed to the power converters at the new operating temperature. The Max Power and Max Current may be determined in step 142 in the same manner as described above in step 94 of FIG. 11. In step 144, a ratio of the Max Power (from step 142) over Total Power (from step 138) is calculated for the AC/DC converter 14, similar to step 96 of FIG. 11. In step 146, a ratio of the Max Current (from step 142) over the Drive Current determined for each LED chain (in step 134) is calculated for each of the DC/DC converters 32, similar to step 98 of FIG. 11. However, the similarities between FIGS. 11 and 13B end here.

In step 148 of FIG. 13B, "1" is subtracted from the smallest of the ratios calculated in steps 144 and 146 and the result of such subtraction is used to generate a new or updated Scale Factor value. In some embodiments, the subtraction result from step 148 is added to a previously generated Scale Factor value to produce a new Scale Factor value, which is stored (in step 152). Depending on the brightness setting and the present operating temperature, the subtraction result from step 148 may be a positive value (which increases the Scale Factor value) or a negative value (which decreases the Scale Factor value).

As long as the brightness setting is small enough (e.g., roughly 50% or less), all Drive Currents determined in step 134 and the Total Power calculated in step 138 will be less than their maximum safe levels at the present operating

temperature. When this occurs, the smallest of the ratios calculated in steps 144 and 146 will be some value greater than "1." After "1" is subtracted from this value in step 148, a positive result is added to the previously generated Scale Factor to generate a new Scale Factor value, which gradually increases towards "1," until it is clipped at 1. On the other hand, if the brightness setting and operating temperature are both high, at least one of the Drive Currents or the Total Power will exceed its maximum safe level, resulting in at least one ratio (from steps 144 or 146) that is less than "1." When "1" is subtracted from this ratio (in step 148), a negative result is added to the previously generated Scale Factor to generate a new Scale Factor value, which gradually decreases away from "1."

In some embodiments, the new Scale Factor value is used to calculate a new Target Lumens value (in step 154 of FIG. 13A) according to the equation provided above. As expected, increasing Scale Factor values increase the Target Lumens value, and thus, increase the drive currents supplied to the LED chains, the Total Power drawn by all LED chains, and eventually the operating temperature. Decreasing Scale Factor values have the opposite effect.

In some embodiments, the drive currents supplied to the LED chains (in step 136) may be adjusted to achieve the new Target Lumens value (in step 156). The illumination device may produce illumination at the new drive current levels, and the method may return to step 50 of FIG. 6 to monitor and detect changes in lamp settings. In other embodiments, one or more of the compensation methods described in co-pending application Ser. Nos. 14/314,530; 14/314,580; and 14/471,081 may be performed to fine tune the drive currents before the adjusted drive currents are supplied to the LED chains (in step 156). The method shown in FIG. 13A is assumed to include all such embodiments.

In some embodiments, the positive or negative subtraction result from step 148 of FIG. 14 may be scaled by a coefficient value (Ki) (in optional step 150) before the result is added to the previously generated Scale Factor to generate a new Scale Factor value (in step 152). The coefficient value (Ki) is typically much less than "1" and may be used, in some embodiments, to ensure that the control loop shown in FIG. 13 responds much faster than temperature changes. In optional step 150, the positive or negative subtraction result from step 148 is multiplied by the coefficient value (Ki) and the multiplication result is added to the previously generated Scale Factor to generate the new Scale Factor value. The new Scale Factor value may be stored (in step 152) and applied to the Target Lumens value (in step 154), as described above.

It will be appreciated to those skilled in the art having the benefit of this disclosure that this invention is believed to provide an improved illumination device and improved methods for avoiding an over-power or over-current condition in a power converter. Specifically, illumination devices and methods are provided herein for adjusting the drive currents supplied to the LED chains, so as not to exceed a maximum safe power level or a maximum safe current level attributed to one or more power converters included within the illumination device. Further modifications and alternative embodiments of various aspects of the invention will be apparent to those skilled in the art in view of this description. It is intended, therefore, that the following claims be interpreted to embrace all such modifications and changes and, accordingly, the specification and drawings are to be regarded in an illustrative rather than a restrictive sense.

What is claimed is:

1. An illumination device, comprising:
  - a plurality of light emitting diode (LED) chains configured to produce illumination for the illumination device;
  - a driver circuit coupled for generating and supplying a respective drive current to each of the plurality of LED chains;
  - at least one power converter coupled for supplying power to the driver circuit, wherein the at least one power converter comprises a maximum safe current level or a maximum safe power level, which varies with temperature;
  - a temperature sensor coupled for measuring a present temperature associated with the at least one power converter; and
  - a control circuit coupled to the temperature sensor and the driver circuit, wherein the control circuit is configured for:
    - determining the maximum safe current level or the maximum safe power level of the at least one power converter at the present temperature; and
    - adjusting the respective drive currents supplied to the plurality of LED chains, so as not to exceed the maximum safe current level or the maximum safe power level at the present temperature;
    - an interface coupled for receiving a chromaticity setting, and wherein the control circuit is further configured for determining a maximum lumens value that can be safely produced by all LED chains at a predetermined safe temperature to achieve the chromaticity setting; and
    - wherein the interface is further coupled for receiving a brightness setting, and wherein the control circuit is further configured for determining a target lumens value that can be safely produced by all LED chains at the present temperature to achieve the chromaticity setting without exceeding the maximum safe current level or the maximum safe power level associated with the at least one power converter.
2. The illumination device as recited in claim 1, wherein the control circuit is configured to determine the maximum lumens value by:
  - determining, for each LED chain, a lumen proportion needed from each LED chain to achieve the chromaticity setting at the predetermined safe temperature;
  - determining, for each LED chain, a relative lumens needed from the LED chain to achieve the lumen proportion determined for the LED chain, assuming only one of the plurality of LED chains is driven with a maximum drive current;
  - calculating, for each LED chain, a ratio of the relative lumens determined for the LED chain over a maximum lumen output for the LED chain;
  - determining, for each LED chain, an actual lumens needed from the LED chain to achieve the chromaticity setting at the predetermined safe temperature by dividing the relative lumens needed from the LED chain by a largest of the calculated ratios; and
  - summing the actual lumens needed from each LED chain to determine the maximum lumens value that can be produced by all LED chains at the predetermined safe temperature to achieve the chromaticity setting.
3. The illumination device as recited in claim 2, wherein the control circuit is configured to determine the lumen

proportions needed from each LED chain to achieve the chromaticity setting at the predetermined safe temperature by:

determining, for each LED chain, chromaticity values that are expected for the LED chain using a forward voltage calibrated for the LED chain at the predetermined safe temperature, the respective drive current supplied to the LED chain, a table of stored calibration values correlating forward voltage and drive current to chromaticity at a plurality of different temperatures, and one or more interpolation techniques; and

calculating the lumen proportions needed from each LED chain to achieve the chromaticity setting at the predetermined safe temperature using the expected chromaticity values.

4. The illumination device as recited in claim 2, wherein the at least one power converter comprises a first power converter coupled for supplying a DC voltage to a plurality of second power converters, each of which are coupled for producing a forward voltage on a respective one of the LED chains, and wherein the maximum safe power level of the first power converter and the maximum safe current levels of the second power converters varies with temperature above the predetermined safe temperature.

5. The illumination device as recited in claim 4, wherein the control circuit is further configured to determine the maximum lumens value by:

determining, for each LED chain, a drive current needed to produce the actual lumens needed from the LED chain to achieve the chromaticity setting at the predetermined safe temperature;

estimating a total power drawn by all LED chains combined at the predetermined safe temperature;

determining the maximum safe power level and the maximum safe current level of the power converters at the predetermined safe temperature;

calculating a ratio of the maximum safe power level at the predetermined safe temperature over the total power estimated at the predetermined safe temperature;

calculating, for each LED chain, a ratio of the maximum safe current level at the predetermined safe temperature over the drive current determined for the LED chain at the predetermined safe temperature;

using a smallest of the calculated ratios to generate a scale factor; and

applying the scale factor to the maximum lumens value.

6. The illumination device as recited in claim 1, wherein the control circuit is configured to determine the target lumens value by:

applying the brightness setting to the maximum lumens value to generate a temporary target lumens value;

determining, for each LED chain, an actual lumens needed from the LED chain to achieve the temporary target lumens value at the present temperature;

determining, for each LED chain, a drive current needed to produce the actual lumens at the present temperature;

estimating a total power drawn by all LED chains combined at the present temperature;

calculating a ratio of the maximum safe power level determined at the present temperature over the total power estimated at the present temperature;

calculating, for each LED chain, a ratio of the maximum safe current level determined at the present temperature over the drive current determined for the LED chain at the present temperature;

using a smallest of the calculated ratios to generate a scale factor; and

calculating the target lumens value by applying the scale factor and the brightness setting to the maximum lumens value.

7. The illumination device as recited in claim 6, wherein the control circuit is configured to determine the actual lumens needed from each LED chain to achieve the temporary target lumens value at the present temperature by:

periodically turning the plurality of LED chains off for short durations of time;

measuring a forward voltage presently developed across each LED chain by applying a non-operative drive current to each LED chain, one chain at a time, during the short durations of time the plurality of LED chains are periodically turned off;

determining chromaticity values that are expected for each LED chain using the forward voltage measured across each LED chain, the respective drive current supplied to each LED chain, a table of stored calibration values correlating forward voltage and drive current to chromaticity at a plurality of different temperatures, and one or more interpolation techniques; and calculating the actual lumens needed from each LED chain to achieve the temporary target lumens value using the expected chromaticity values and the chromaticity setting.

8. The illumination device as recited in claim 6, wherein the control circuit is configured for adjusting the respective drive currents supplied to the plurality of LED chains, so as to achieve the target lumens value.

9. The illumination device as recited in claim 6, wherein the control circuit is configured for periodically readjusting the respective drive currents supplied to the plurality of LED chains to account for changes in the present temperature by:

measuring a new present temperature;

determining, for each LED chain, an actual lumens needed from the LED chain to achieve the chromaticity setting and the target lumens value at the new present temperature;

determining, for each LED chain, a drive current needed to produce the actual lumens at the new present temperature;

applying the determined drive currents to the LED chains; determining a total power drawn by all LED chains combined at the new present temperature;

updating the scale factor to account for changes in the maximum safe power level and/or the maximum safe current level of the power converters at the new present temperature;

recalculating the target lumens value using the updated scale factor; and

adjusting the respective drive currents supplied to the plurality of LED chains, so as to achieve the recalculated target lumens value.

10. The illumination device as recited in claim 9, wherein the control circuit is configured for updating the scale factor by:

determining the maximum safe power level and the maximum safe current level of the power converters at the new present temperature;

calculating a ratio of the maximum safe power level at the new present temperature over the total power determined at the new present temperature;

calculating, for each LED chain, a ratio of the maximum safe current level at the new present temperature over the drive current determined for the LED chain;

subtracting 1 from a smallest of the calculated ratios to generate a subtraction result; and



adding the subtraction result to the scale factor to update the scale factor.

11. The illumination device as recited in claim 9, wherein the control circuit is configured for updating the scale factor by:

determining the maximum safe power level and the maximum safe current level of the power converters at the new present temperature;

calculating a ratio of the maximum safe power level at the new present temperature over the total power determined at the new present temperature;

calculating, for each LED chain, a ratio of the maximum safe current level at the new present temperature over the drive current determined for the LED chain;

subtracting 1 from a smallest of the calculated ratios to generate a subtraction result;

multiplying the subtraction result with a coefficient value to generate a multiplication result; and

adding the multiplication result to the scale factor to update the scale factor.

12. A method for controlling a lumen output of an illumination device comprising a plurality of light emitting diode (LED) chains and a plurality of power converters, so as not to exceed a maximum safe power level and a maximum safe current level of the power converters at a present temperature, the method comprising:

measuring [a] the present temperature associated with the at least one power converter;

determining the maximum safe current level and the maximum safe power level of the power converters at the present temperature; and

adjusting drive currents supplied to each of the plurality of LED chains, so as not to exceed the maximum safe current level and the maximum safe power level at the present temperature;

receiving a chromaticity setting and a brightness setting for the illumination device;

determining a maximum lumens value that can be safely produced by all LED chains at a predetermined safe temperature to achieve the chromaticity setting; and

determining a target lumens value that can be safely produced by all LED chains at the present temperature to achieve the chromaticity setting without exceeding the maximum safe current level or the maximum safe power level associated with the power converters.

13. The method as recited in claim 12, wherein said determining a maximum lumens value comprises:

determining, for each LED chain, a lumen proportion needed from each LED chain to achieve the chromaticity setting at the predetermined safe temperature;

determining, for each LED chain, a relative lumens needed from the LED chain to achieve the lumen proportion determined for the LED chain, assuming only one of the plurality of LED chains is driven with a maximum drive current;

calculating, for each LED chain, a ratio of the relative lumens determined for the LED chain over a maximum lumen output for the LED chain;

determining, for each LED chain, an actual lumens needed from the LED chain to achieve the chromaticity setting at the predetermined safe temperature by dividing the relative lumens needed from the LED chain by a largest of the calculated ratios; and

summing the actual lumens needed from each LED chain to determine the maximum lumens value that can be safely produced by all LED chains at the predetermined safe temperature to achieve the chromaticity setting.

14. The method as recited in claim 13, wherein said determining the lumen proportions needed from each LED chain to achieve the chromaticity setting at the predetermined safe temperature comprises:

determining, for each LED chain, chromaticity values that are expected for the LED chain using a forward voltage calibrated for the LED chain at the predetermined safe temperature, the drive current supplied to the LED chain, a table of stored calibration values correlating forward voltage and drive current to chromaticity at a plurality of different temperatures, and one or more interpolation techniques; and

calculating the lumen proportions needed from each LED chain to achieve the chromaticity setting at the predetermined safe temperature using the expected chromaticity values.

15. The method as recited in claim 13, wherein said determining a maximum lumens value further comprises:

determining, for each LED chain, a drive current needed to produce the actual lumens needed from the LED chain to achieve the chromaticity setting at the predetermined safe temperature;

estimating a total power drawn by all LED chains combined at the predetermined safe temperature;

determining the maximum safe power level and the maximum safe current level of the power converters at the predetermined safe temperature;

calculating a ratio of the maximum safe power level at the predetermined safe temperature over the estimated total power;

calculating, for each LED chain, a ratio of the maximum safe current level at the predetermined safe temperature over the drive current determined for the LED chain; using a smallest of the calculated ratios to generate a scale factor; and

applying the scale factor to the maximum lumens value.

16. The method as recited in claim 12, wherein said determining a target lumens value comprises:

applying the brightness setting to the maximum lumens value to generate a temporary target lumens value;

determining, for each LED chain, an actual lumens needed from the LED chain to achieve the temporary target lumens value at the present temperature;

determining, for each LED chain, a drive current needed to produce the actual lumens at the present temperature;

estimating a total power drawn by all LED chains combined at the present temperature;

calculating a ratio of the maximum safe power level determined at the present temperature over the total power estimated at the present temperature;

calculating, for each LED chain, a ratio of the maximum safe current level determined at the present temperature over the drive current determined for the LED chain at the present temperature;

using a smallest of the calculated ratios to generate a scale factor; and

calculating the target lumens value by applying the scale factor and the brightness setting to the maximum lumens value.

17. The method as recited in claim 16, wherein said determining the actual lumens needed from each LED chain to achieve the temporary target lumens value at the present temperature comprises:

periodically turning the plurality of LED chains off for short durations of time;

measuring a forward voltage presently developed across each LED chain by applying a non-operative drive

37

current to each LED chain, one chain at a time, during the short durations of time the plurality of LED chains are periodically turned off;

determining chromaticity values that are expected for each LED chain using the forward voltage measured across each LED chain, the drive current supplied to each LED chain, a table of stored calibration values correlating forward voltage and drive current to chromaticity at a plurality of different temperatures, and one or more interpolation techniques; and

calculating the actual lumens needed from each LED chain to achieve the temporary target lumens value using the expected chromaticity values and the chromaticity setting.

18. The method as recited in claim 16, further comprising adjusting the drive currents supplied to the plurality of LED chains, so as to achieve the target lumens value.

19. The method as recited in claim 16, further comprising periodically readjusting the drive currents supplied to the plurality of LED chains to account for changes in the present temperature by:

- measuring a new present temperature;
- determining, for each LED chain, an actual lumens needed from the LED chain to achieve the chromaticity setting and the target lumens value at the new present temperature;
- determining, for each LED chain, a drive current needed to produce the actual lumens at the new present temperature;
- applying the determined drive currents to the LED chains;
- determining a total power drawn by all LED chains combined at the new present temperature;
- updating the scale factor to account for changes in the maximum safe power level and/or the maximum safe current level of the power converters at the new present temperature;
- recalculating the target lumens value using the updated scale factor; and
- adjusting the drive currents supplied to the plurality of LED chains, so as to achieve the recalculated target lumens value.

20. The method as recited in claim 19, wherein said updating the scale factor comprises:

- determining the maximum safe power level and the maximum safe current level of the power converters at the new present temperature;
- calculating a ratio of the maximum safe power level determined at the new present temperature over the total power determined at the new present temperature;
- calculating, for each LED chain, a ratio of the maximum safe current level determined at the new present temperature over the drive current determined for the LED chain at the new present temperature;
- subtracting 1 from a smallest of the calculated ratios to generate a subtraction result; and
- adding the subtraction result to the scale factor to update the scale factor.

21. The method as recited in claim 19, wherein said updating the scale factor comprises:

- determining the maximum safe power level and the maximum safe current level of the power converters at the new present temperature;
- calculating a ratio of the maximum safe power level determined at the new present temperature over the total power determined at the new present temperature;
- calculating, for each LED chain, a ratio of the maximum safe current level determined at the new present tem-

38

perature over the drive current determined for the LED chain at the new present temperature;

- subtracting 1 from a smallest of the calculated ratios to generate a subtraction result;
- multiplying the subtraction result with a coefficient value to generate a multiplication result; and
- adding the multiplication result to the scale factor to update the scale factor.

22. A controller for an illumination device, the controller comprising:

- a control circuit coupled to a light-emitting diode (LED) driver circuit, wherein the control circuit is configured for determining a present temperature of the illumination device, and adjusting respective drive currents supplied by the LED driver circuit to a plurality of LED chains, so as not to exceed a maximum safe current level or a maximum safe power level of a power supply providing power to the LED driver circuit at the present temperature; and
- an interface coupled to the control circuit and coupled for receiving a chromaticity setting;

wherein the control circuit is further configured for determining a maximum lumens value that can be safely produced by the plurality of LED chains at a predetermined safe temperature to achieve the chromaticity setting; and

wherein the interface is further coupled for receiving a brightness setting, and the control circuit is further configured for determining a target lumens value that can be safely produced by the plurality of LED chains at the present temperature to achieve the chromaticity setting without exceeding the maximum safe current level or the maximum safe power level of the power supply.

23. A method for controlling a lumen output of an illumination device, the method comprising

- measuring, by temperature sensing circuitry, a present temperature of the illumination device;
- adjusting, by control circuitry communicatively coupled to the temperature sensing circuitry, drive currents supplied to each of a plurality of light-emitting diode (LED) chains, so as not to exceed a maximum safe current level or a maximum safe power level of a power supply operatively coupled to the plurality of LED chains, at the measured present temperature;
- receiving, via interface circuitry communicatively coupled to the control circuitry, a target chromaticity setting and a target brightness setting for the illumination device;
- determining a maximum lumens value that can be safely produced by the plurality of LED chains at a predetermined safe temperature to achieve the target chromaticity setting; and
- determining a target lumens value that can be safely produced by the plurality of LED chains at the measured present temperature to achieve the target chromaticity setting without exceeding the maximum safe current level or the maximum safe power level of the power supply.

24. A controller for an illumination device, the controller comprising:

- a control circuit coupled to one or more light-emitting diode (LED) driver circuits, the control circuit configured to:

- measure, via temperature sensing circuitry communicatively coupled to the control circuit, a present temperature of the illumination device;

39

determine a scale factor to be applied to the respective drive currents of each of a plurality of LED chains to achieve a target chromaticity setting for the illumination device without exceeding a maximum current level of the one or more LED driver circuits at the measured present temperature;

determine a maximum lumens value that can be produced by the plurality of LED chains to achieve the target chromaticity setting for the illumination device without exceeding the maximum current level of the one or more LED driver circuits at the measured present temperature;

determine, based on the scale factor, the maximum lumens value, and a target brightness setting, a target lumens value that can be produced by the plurality of LED chains to achieve the target chromaticity setting for the illumination device without

40

exceeding the maximum current level of the one or more LED driver circuits at the measured present temperature;

update the target lumens value in response to a change in the target chromaticity setting, the brightness setting, or the measured present temperature; and adjust, based on the scale factor and the maximum lumens value, the respective drive currents supplied to each of the plurality of LED chains to achieve the target lumens value; and

an interface communicatively coupled to the control circuit to receive the target chromaticity setting or the target brightness setting.

25. The controller of claim 24, wherein the interface comprises at least one of a wireless interface, a wired interface, or a user interface.

\* \* \* \* \*