



US00RE49112E

(19) **United States**  
(12) **Reissued Patent**  
**Savage, Jr. et al.**

(10) **Patent Number: US RE49,112 E**  
(45) **Date of Reissued Patent: Jun. 21, 2022**

(54) **ADAPTER BRACKET FOR NOTIFICATION APPLIANCE**

(71) Applicant: **Johnson Controls Tyco IP Holdings LLP**, Milwaukee, WI (US)

(72) Inventors: **Kenneth Savage, Jr.**, Fitchburg, MA (US); **Steven Varieur**, Winchendon, MA (US)

(73) Assignee: **Johnson Controls Tyco IP Holdings LLP**, Milwaukee, WI (US)

(21) Appl. No.: **16/598,025**

(22) Filed: **Oct. 10, 2019**

**Related U.S. Patent Documents**

Reissue of:

(64) Patent No.: **10,121,343**  
Issued: **Nov. 6, 2018**  
Appl. No.: **14/514,120**  
Filed: **Oct. 14, 2014**

U.S. Applications:

(60) Provisional application No. 62/031,030, filed on Jul. 30, 2014.

(51) **Int. Cl.**  
**G08B 17/06** (2006.01)  
**G08B 3/10** (2006.01)  
(Continued)

(52) **U.S. Cl.**  
CPC ..... **G08B 17/06** (2013.01); **F21V 5/041** (2013.01); **F21V 5/08** (2013.01); **F21V 17/06** (2013.01);  
(Continued)

(58) **Field of Classification Search**  
CPC ..... **G08B 17/06**; **G08B 17/113**; **G08B 17/00**; **G08B 5/38**; **G08B 5/36**; **G08B 3/10**;  
(Continued)

(56) **References Cited**

**U.S. PATENT DOCUMENTS**

3,127,935 A 4/1964 Poettmann et al.  
3,137,763 A \* 6/1964 Jones ..... H02G 3/088  
174/490

(Continued)

**FOREIGN PATENT DOCUMENTS**

EP 2 711 615 3/2014  
EP 2 711 615 A1 3/2014

(Continued)

**OTHER PUBLICATIONS**

International Search Report and Written Opinion on PCT/US2015/042018, dated May 4, 2016, 16 pages.

(Continued)

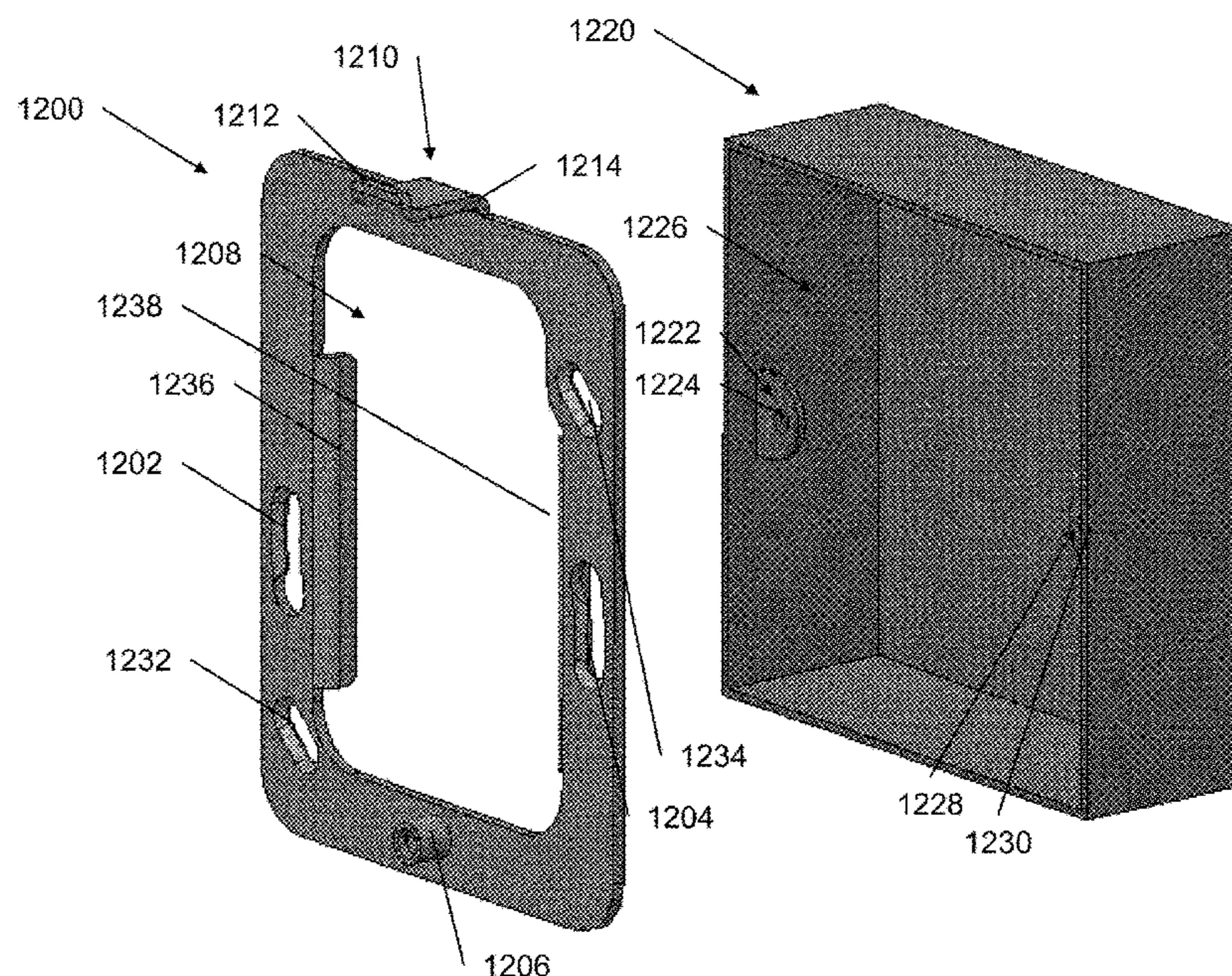
*Primary Examiner* — Patricia L Engle

(74) *Attorney, Agent, or Firm* — Foley & Lardner LLP

(57) **ABSTRACT**

A notification appliance is disclosed. The notification appliance may be a strobe notification appliance, such as an LED strobe notification appliance. The notification appliance may be wall-mounted or ceiling-mounted. Further, the notification appliance may include an optic that is configured to shape the light output from the notification appliance. For example, in a wall-mount, the optic may be mounted off-axis of a plane defined by a back plate of the notification appliance. Further, the notification appliance may be composed of a back plate, a driver board, and a front housing, with the front housing being attached to one or both of the back plate and the driver board. Moreover, the notification appliance may be used with an adapter bracket, which may be used to connect the notification appliance with one or more types of junction boxes.

**37 Claims, 60 Drawing Sheets**





# US RE49,112 E

(51)	<b>Int. Cl.</b>		
	<i>G08B 17/113</i> (2006.01)	7,102,079 B1 *	9/2006 Kurtin ..... H02G 3/00 174/135
	<i>H04R 1/02</i> (2006.01)	7,183,483 B1 *	2/2007 Anderson ..... H02G 3/086 174/50
	<i>G08B 5/38</i> (2006.01)	D552,292 S	10/2007 Martineau
	<i>G08B 17/00</i> (2006.01)	D568,194 S	5/2008 Vojinovic et al.
	<i>G08B 7/06</i> (2006.01)	7,400,239 B2 *	7/2008 Kiko ..... H01H 9/161 200/1 R
	<i>G08B 5/36</i> (2006.01)	D608,235 S	1/2010 Ishikawa
	<i>F21V 17/10</i> (2006.01)	7,950,832 B2	5/2011 Tanaka et al.
	<i>F21V 17/06</i> (2006.01)	8,658,894 B1 *	2/2014 Witherbee ..... H02G 3/14 174/50
	<i>F21V 5/08</i> (2006.01)		
	<i>F21V 5/04</i> (2006.01)	8,723,682 B2	5/2014 Savage, Jr.
	<i>G08B 25/04</i> (2006.01)	8,760,301 B2	6/2014 Savage, Jr.
	<i>H04S 7/00</i> (2006.01)	8,773,276 B2	7/2014 Savage, Jr.
	<i>H04R 5/02</i> (2006.01)	8,796,931 B2	8/2014 Savage, Jr.
	<i>G02B 6/42</i> (2006.01)	8,797,724 B2	8/2014 Andrews et al.
	<i>H02G 3/10</i> (2006.01)	8,890,707 B2	11/2014 Savage, Jr.
	<i>F21S 8/00</i> (2006.01)	8,890,708 B2	11/2014 Savage, Jr.
	<i>F21Y 115/10</i> (2016.01)	9,035,786 B2	5/2015 Clifford et al.
	<i>F21W 111/00</i> (2006.01)	2002/0105432 A1	8/2002 Pederson et al.
		2002/0185296 A1 *	12/2002 Schultz ..... H01R 24/70 174/53
(52)	<b>U.S. Cl.</b>	2003/0025607 A1	2/2003 Povey et al.
	CPC ..... <i>F21V 17/10</i> (2013.01); <i>G08B 3/10</i> (2013.01); <i>G08B 5/36</i> (2013.01); <i>G08B 5/38</i> (2013.01); <i>G08B 7/06</i> (2013.01); <i>G08B 17/00</i> (2013.01); <i>G08B 17/113</i> (2013.01); <i>H04R 1/02</i> (2013.01); <i>H04R 1/025</i> (2013.01); <i>H04R 1/028</i> (2013.01); <i>F21S 8/033</i> (2013.01); <i>F21W 2111/00</i> (2013.01); <i>F21Y 2115/10</i> (2016.08); <i>G02B 6/428</i> (2013.01); <i>G08B 25/04</i> (2013.01); <i>H02G 3/10</i> (2013.01); <i>H04R 5/02</i> (2013.01); <i>H04S 7/00</i> (2013.01); <i>H04S 2420/01</i> (2013.01)	2003/0035563 A1	2/2003 Chen
		2005/0007257 A1	1/2005 Rast
		2005/0152128 A1	7/2005 Campman
		2006/0005987 A1 *	1/2006 Denier ..... H02G 3/18 174/58
		2006/0132323 A1	6/2006 Grady, Jr.
		2007/0194180 A1 *	8/2007 Korcz ..... H02G 3/123 248/56
		2007/0206375 A1	9/2007 Piegras et al.
		2008/0074278 A1 *	3/2008 Anderson ..... G08B 3/10 340/691.1
		2008/0084326 A1 *	4/2008 Hur ..... G08B 7/06 340/693.9
(58)	<b>Field of Classification Search</b>	2008/0093530 A1	4/2008 Hoelen et al.
	CPC . <i>F21V 5/041</i> ; <i>F21V 5/08</i> ; <i>F21V 17/06</i> ; <i>F21V 17/10</i> ; <i>H04R 1/028</i> ; <i>H04R 1/025</i> ; <i>H04R 1/02</i>	2008/0157992 A1	7/2008 Anderson et al.
	See application file for complete search history.	2008/0223600 A1 *	9/2008 Magno ..... H02G 3/14 174/66
(56)	<b>References Cited</b>	2008/0266121 A1	10/2008 Ellul
	<b>U.S. PATENT DOCUMENTS</b>	2009/0034283 A1	2/2009 Albright et al.
	D296,532 S	2009/0072989 A1	3/2009 Rock et al.
	5,064,386 A *	2010/0090857 A1	4/2010 Varieur
	5,521,578 A	2010/0302786 A1	12/2010 Wilcox et al.
	D374,635 S	2011/0012746 A1	1/2011 Fish et al.
	5,602,522 A *	2012/0031640 A1 *	2/2012 Korcz ..... H02G 3/086 174/66
	5,684,467 A *	2012/0113642 A1	5/2012 Catalano
	5,914,665 A *	2014/0070678 A1 *	3/2014 Andrews ..... G08B 3/10 312/222
	6,057,778 A *	2014/0083759 A1 *	3/2014 Gagne ..... H02G 3/086 174/480
	6,133,843 A *	2014/0140038 A1	5/2014 Gerets et al.
	D442,104 S	2016/0010822 A1	1/2016 Hsu
	6,238,076 B1	<b>FOREIGN PATENT DOCUMENTS</b>	
	6,452,096 B1 *	GB	2 506 138
	6,522,254 B1 *	GB	2506138 B
	6,576,837 B1 *		3/2014
	6,608,253 B1 *		11/2014
	6,838,997 B1 *	<b>OTHER PUBLICATIONS</b>	
	6,951,418 B2	Office Action on EP 15750185.9, dated Oct. 29, 2019, 5 pages.	
	D513,199 S	Search Results on EP 15750185.9, dated Feb. 15, 2018, 8 pages.	
	7,006,003 B2	International Search Report from corresponding International Application No. PCT/US2015/042018 dated May 4, 2016, 7 pages.	
		Written Opinion of the International Searching Authority from corresponding International Application No. PCT/US2015/042018 dated May 4, 2016, 9 pages.	
		Invitation to Pay Additional Fees corresponding to International Patent Application No. PCT/US2015/042018 dated Feb. 24, 2016, 4 pages.	

(56)

**References Cited**

OTHER PUBLICATIONS

Annex to Form PCT/ISA/206 Communication Relating to the Results of the Partial International Search corresponding to International Patent Application No. PCT/US2015/042018 dated Feb. 24, 2016, 3 pages.  
Office Action dated Feb. 15, 2018 in EP Application No. 15750185.9.

\* cited by examiner

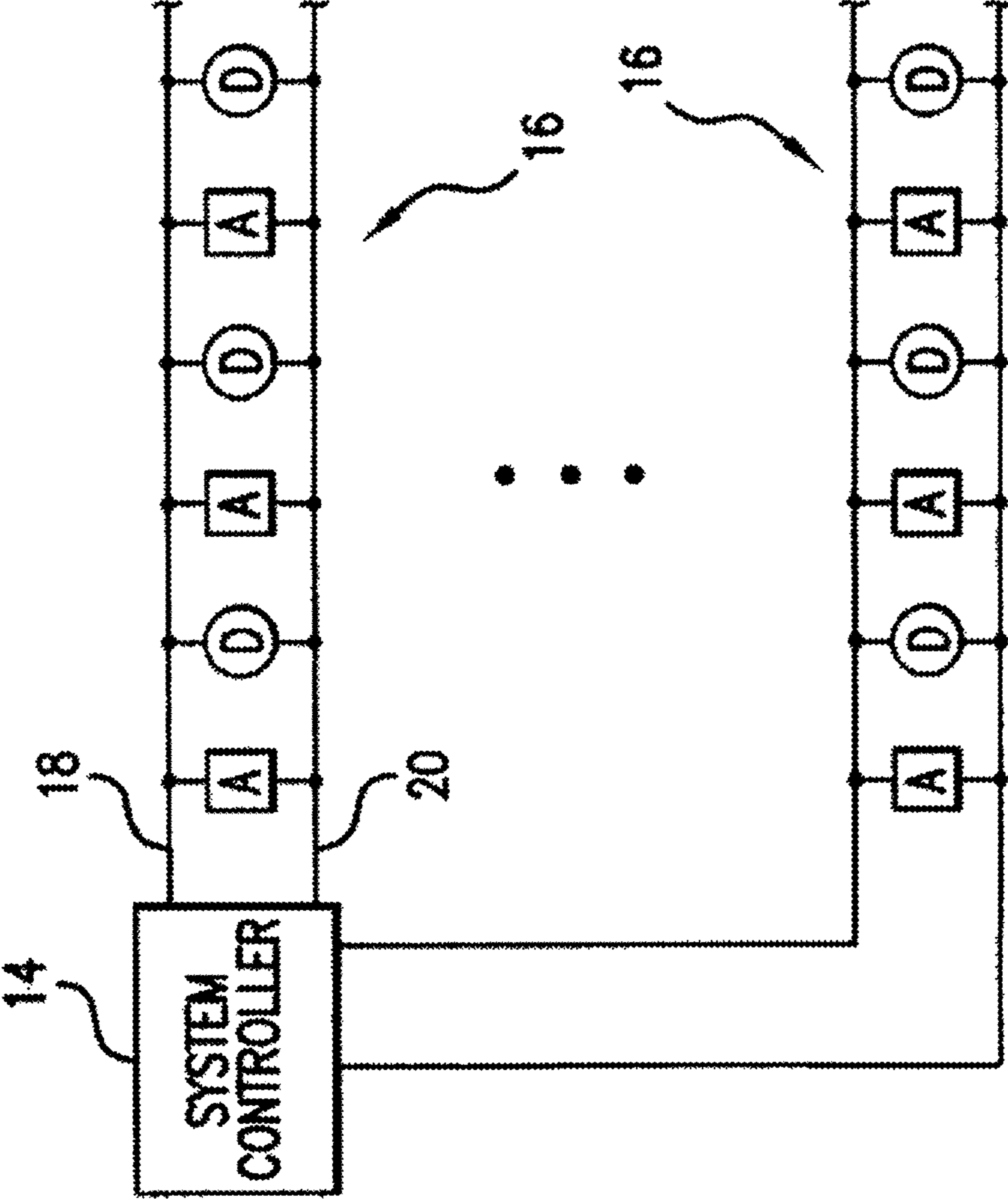


FIG.1



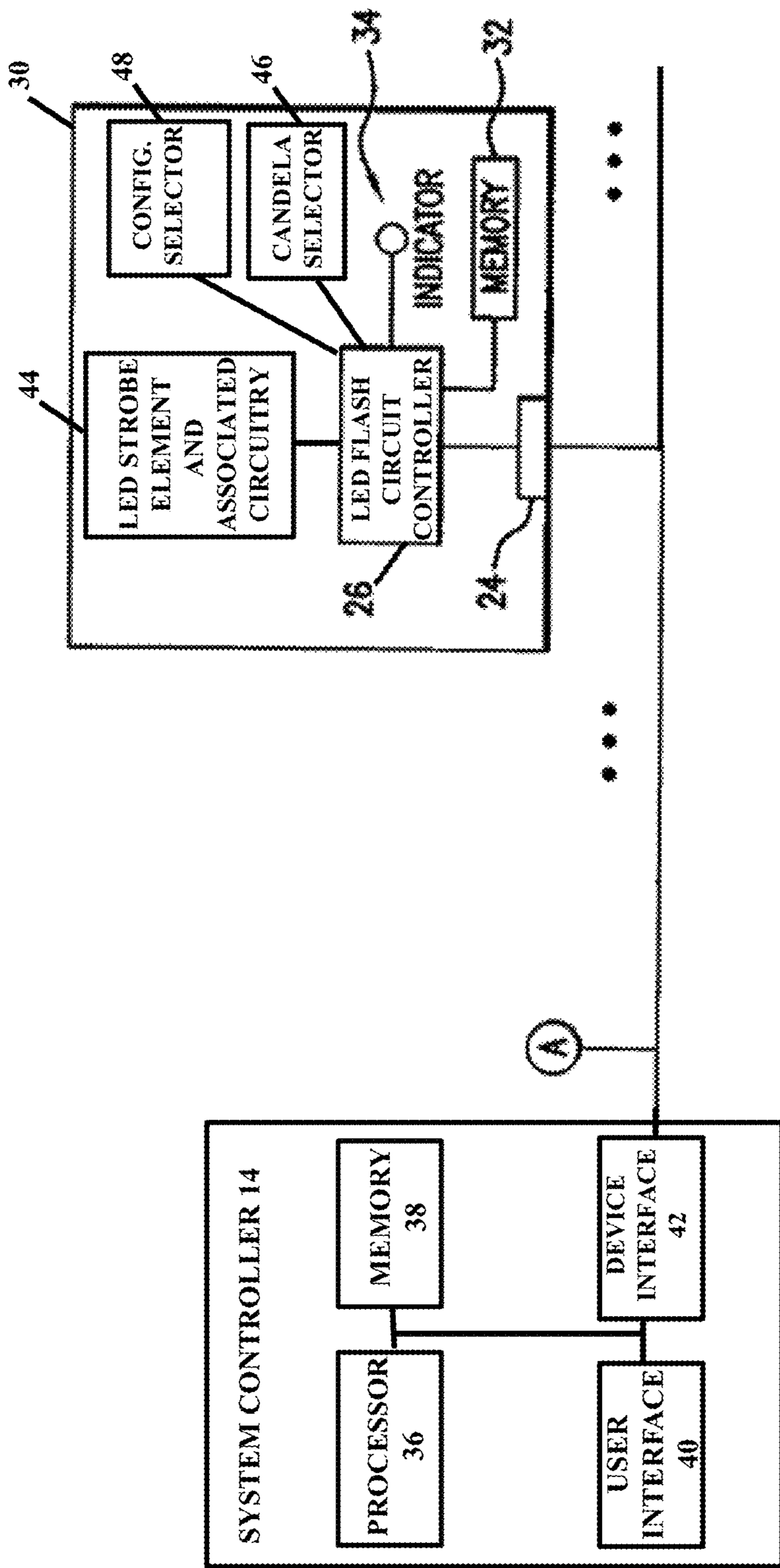


Fig. 2

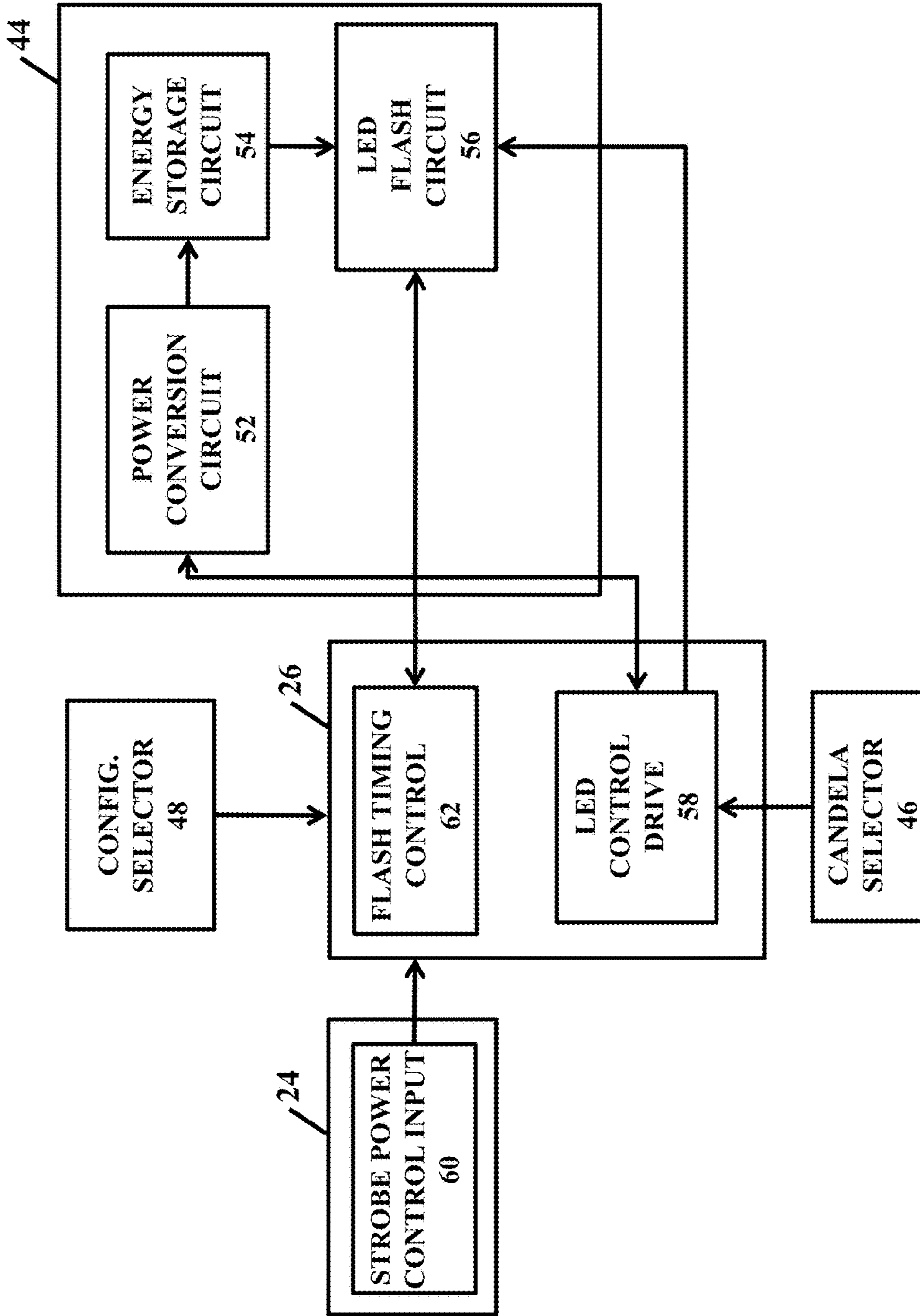


Fig. 3

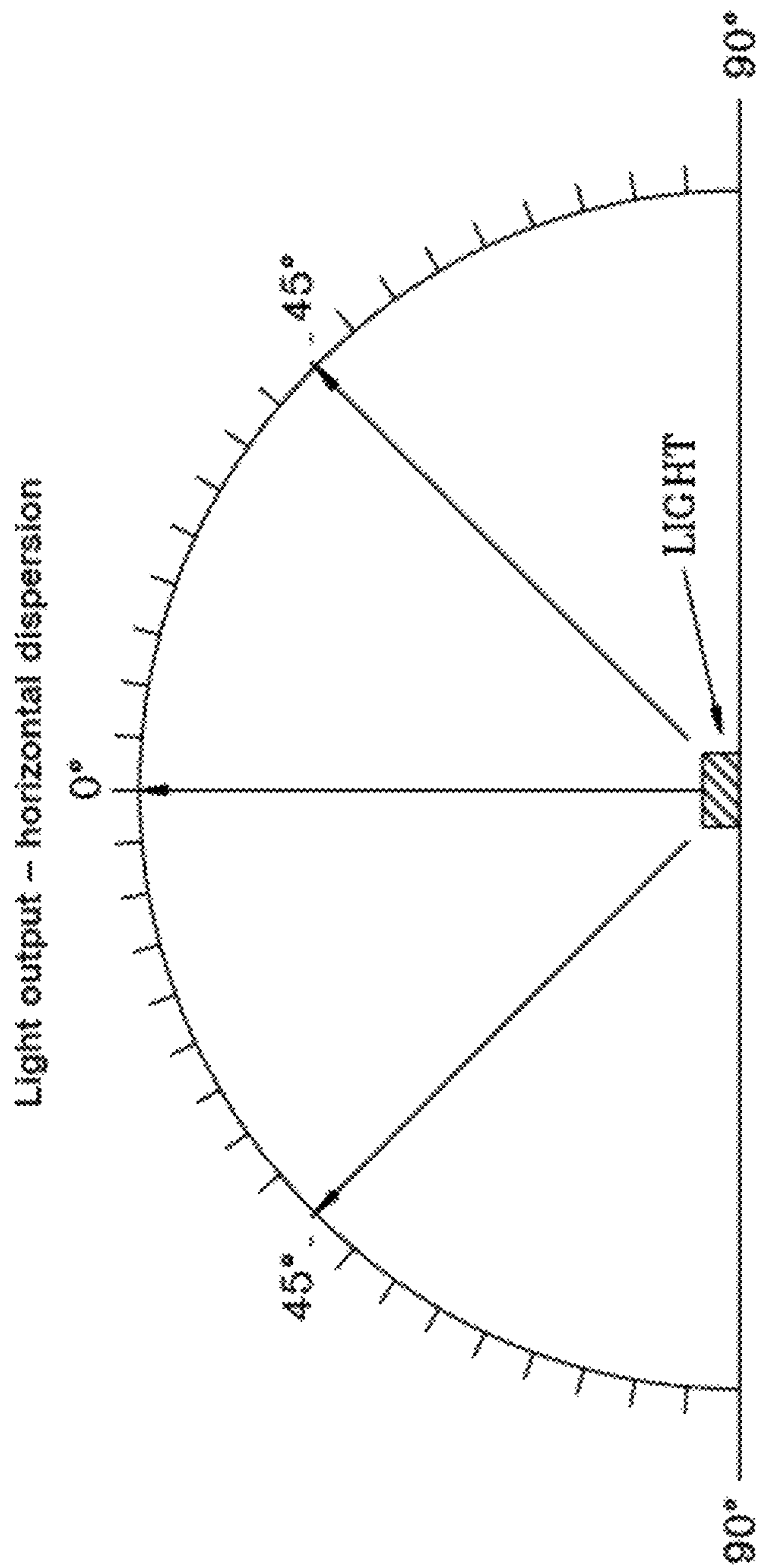


Required minimum percentage for horizontal dispersion

Degrees*	Percent of rating
0	100
5 -- 25	90
30 -- 45	75
50	55
55	45
60	40
65	35
70	35
75	30
80	30
85	25
90	25
Compound 45 to the right	24
Compound 45 to the left	24

\* Tolerance of ±1 degree is permitted.

Fig. 4A



NOTE – Rating is on axis measurement at 0 degrees as indicated in Fig. 4A

**Fig. 4B**



Required minimum percentage for vertical dispersion

Degrees*	Percent of rating
0	100
5 - 30	90
35	65
40	46
45	34
50	27
55	22
60	18
65	16
70	15
75	13
80	12
85	12
90	12

\* Tolerance of  $\pm 1$  degree is permitted.

Fig. 4C

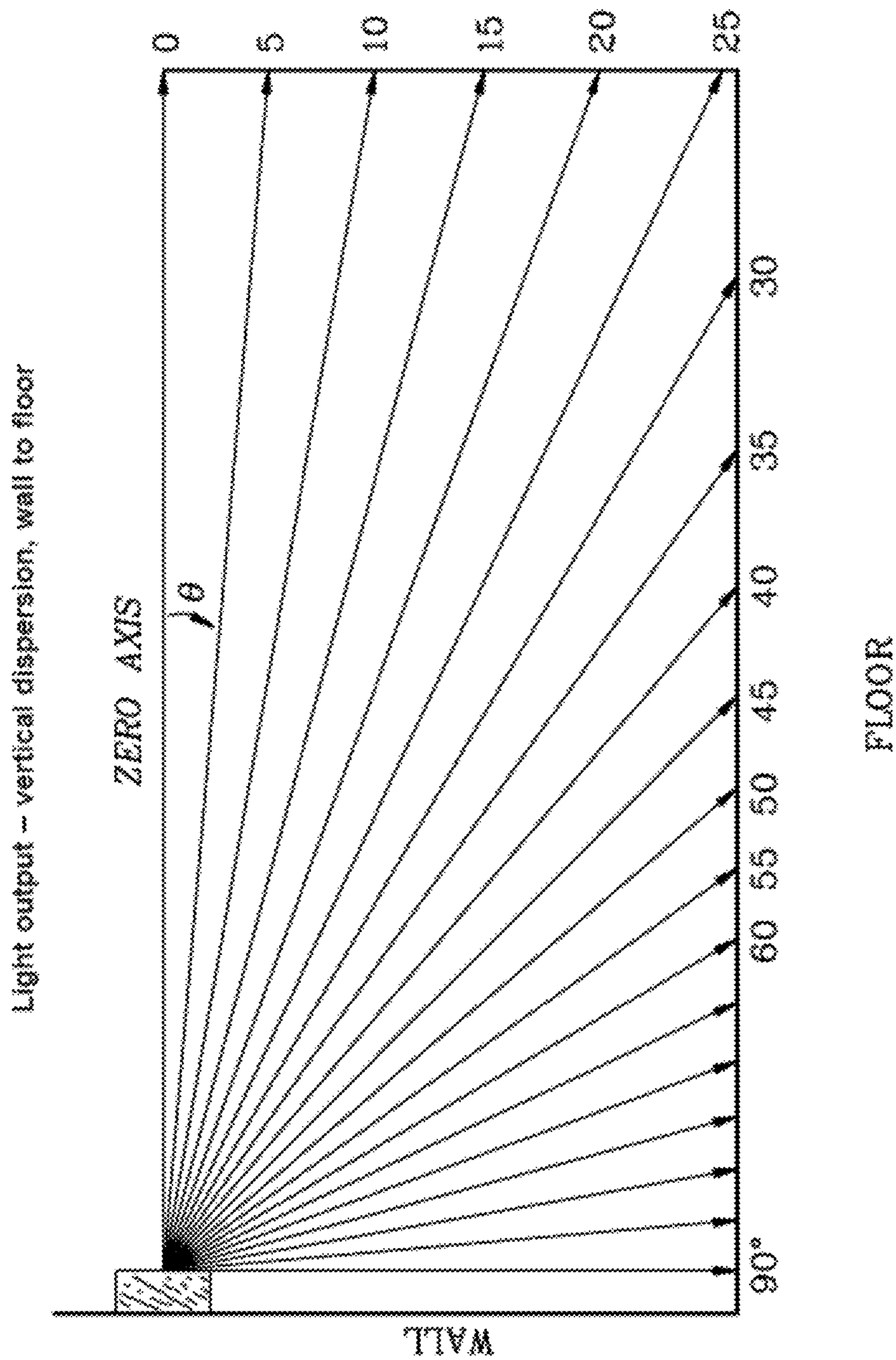


Fig. 4D



Required minimum percentage for vertical dispersion in both X and Y planes

Degrees*	Percent of rating
0	100
5 -- 25	90
30 -- 45	75
50	55
55	45
60	40
65	35
70	35
75	30
80	30
85	25
90	25

\* Tolerance of ±1 degree is permitted.

Fig. 5A

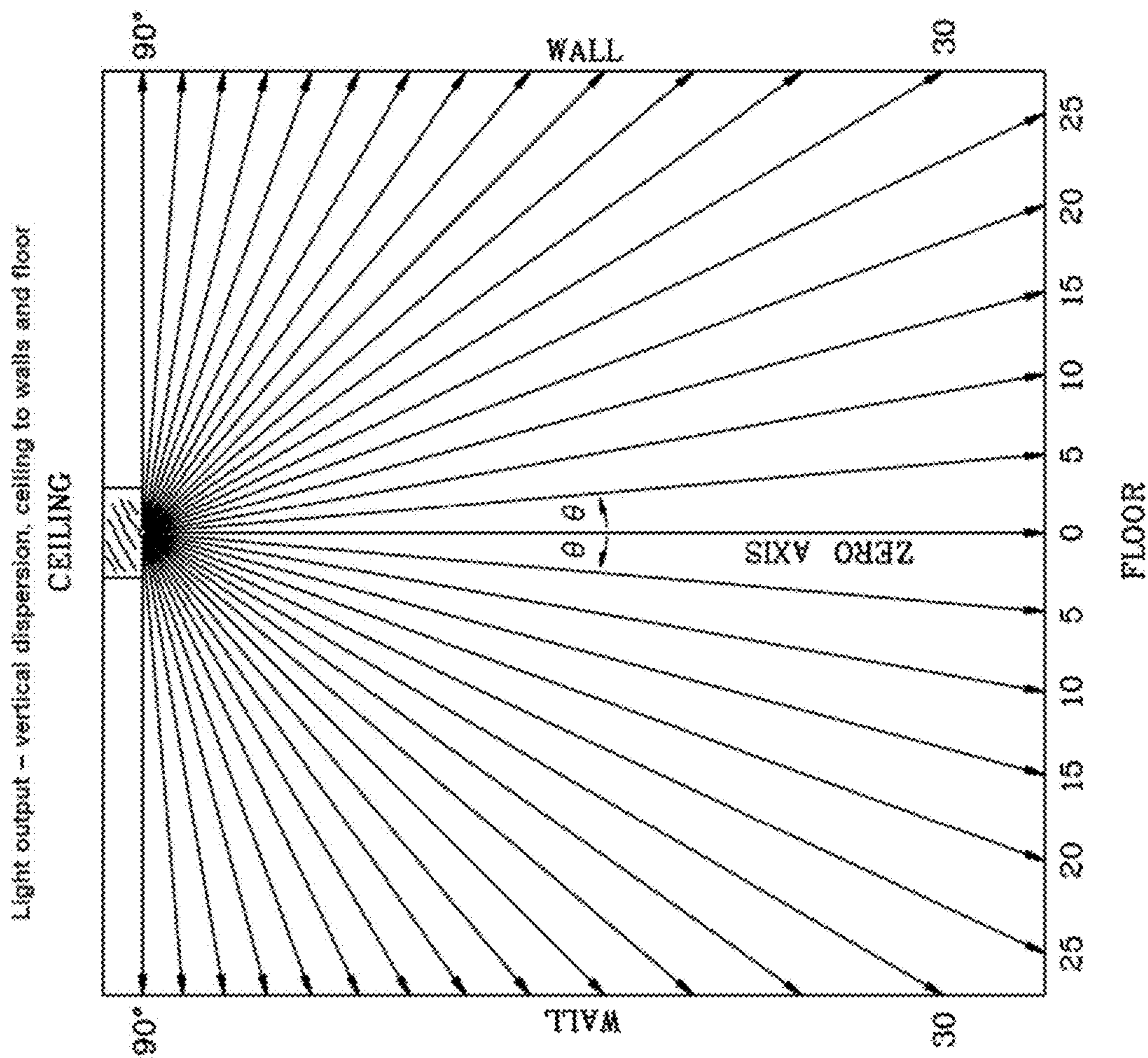


Fig. 5B



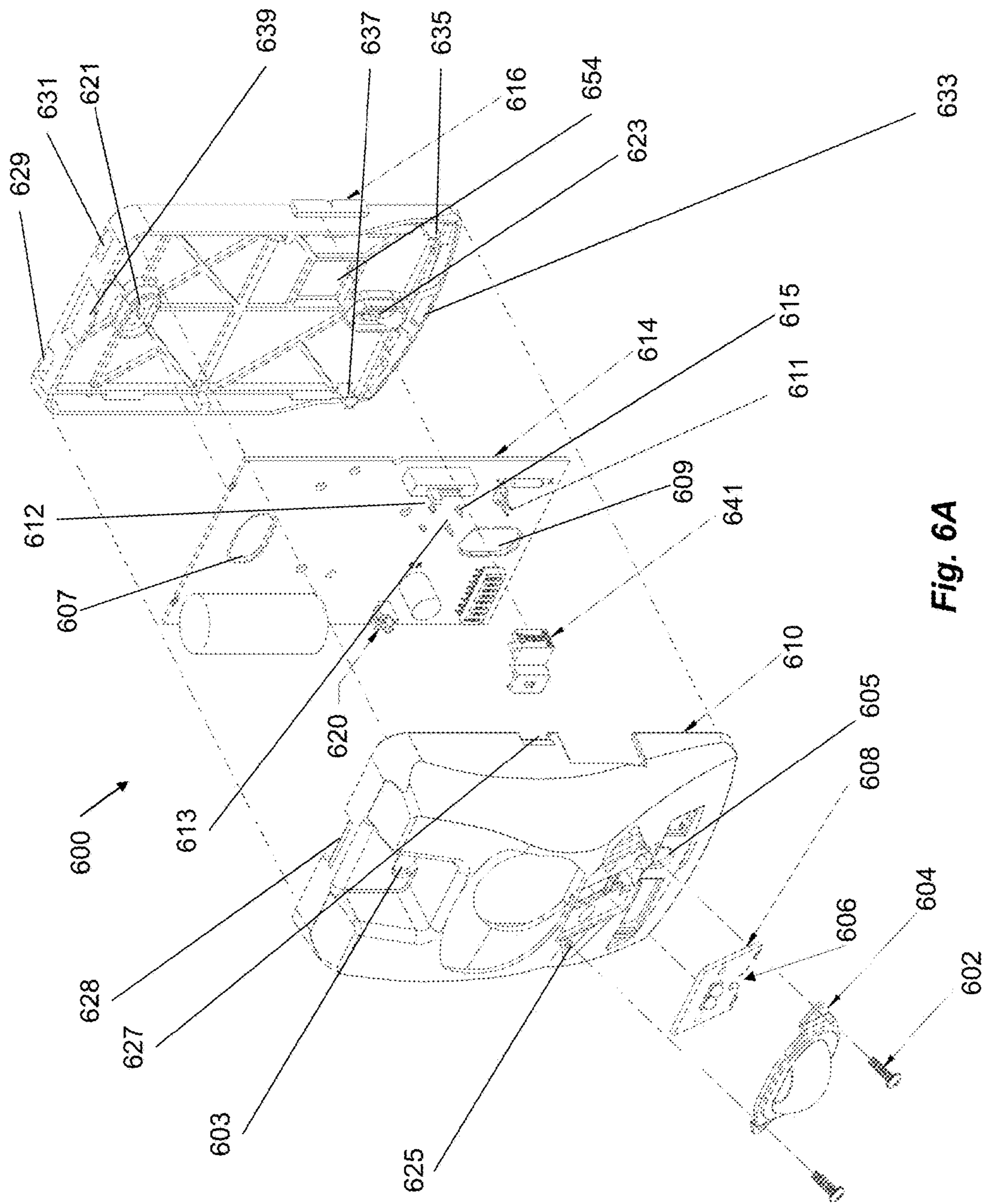


Fig. 6A

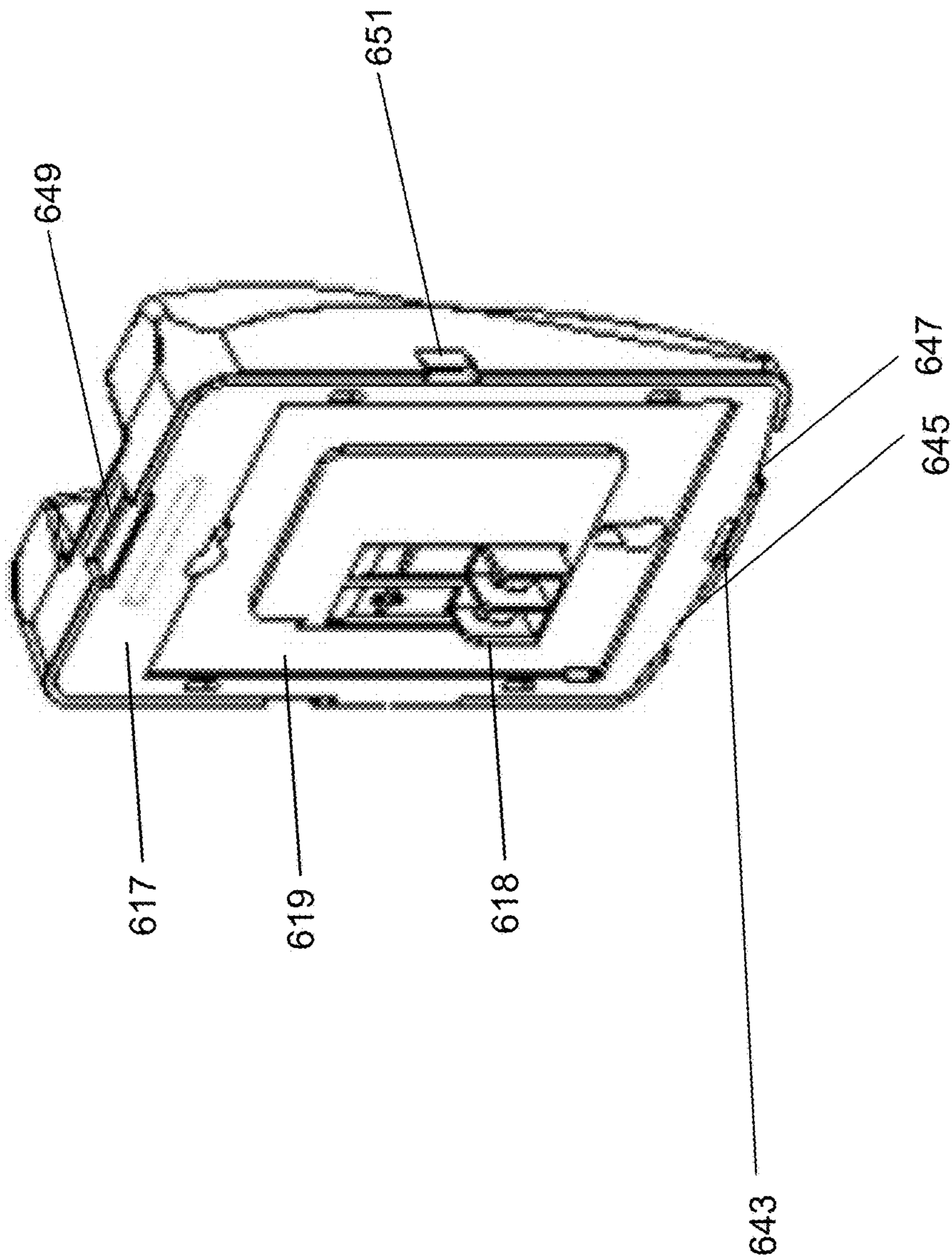


Fig. 6B

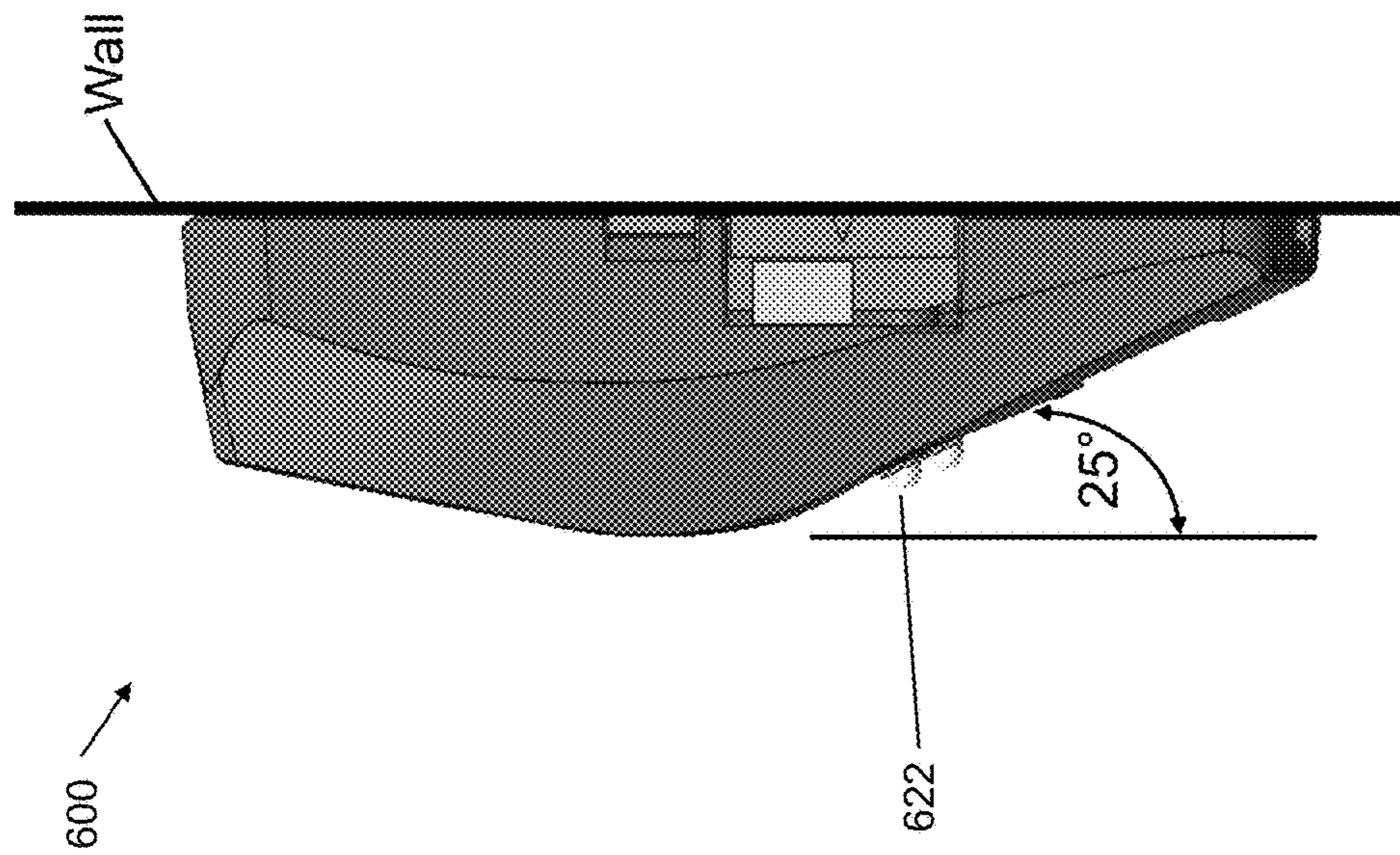


Fig. 6C



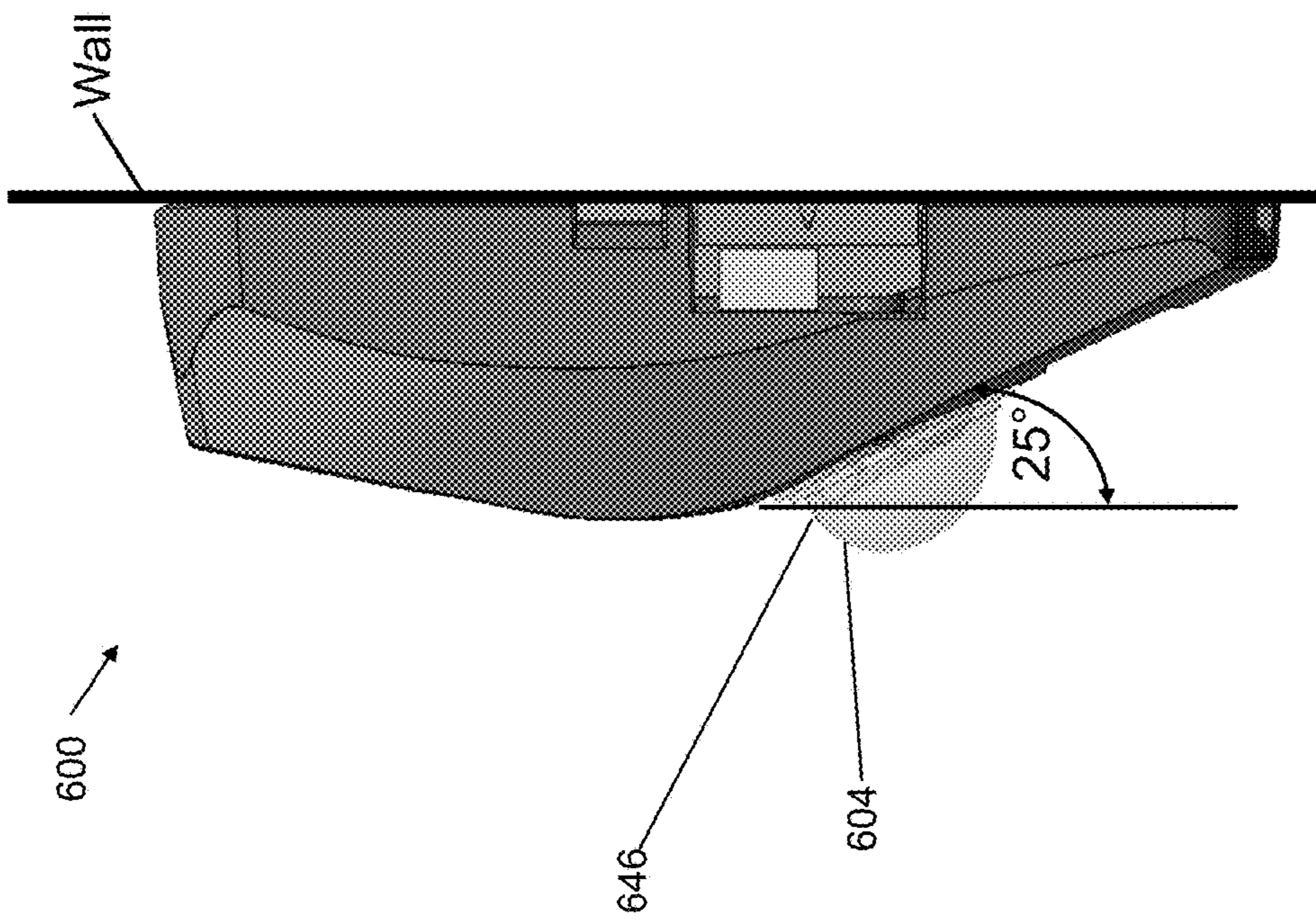


Fig. 6D

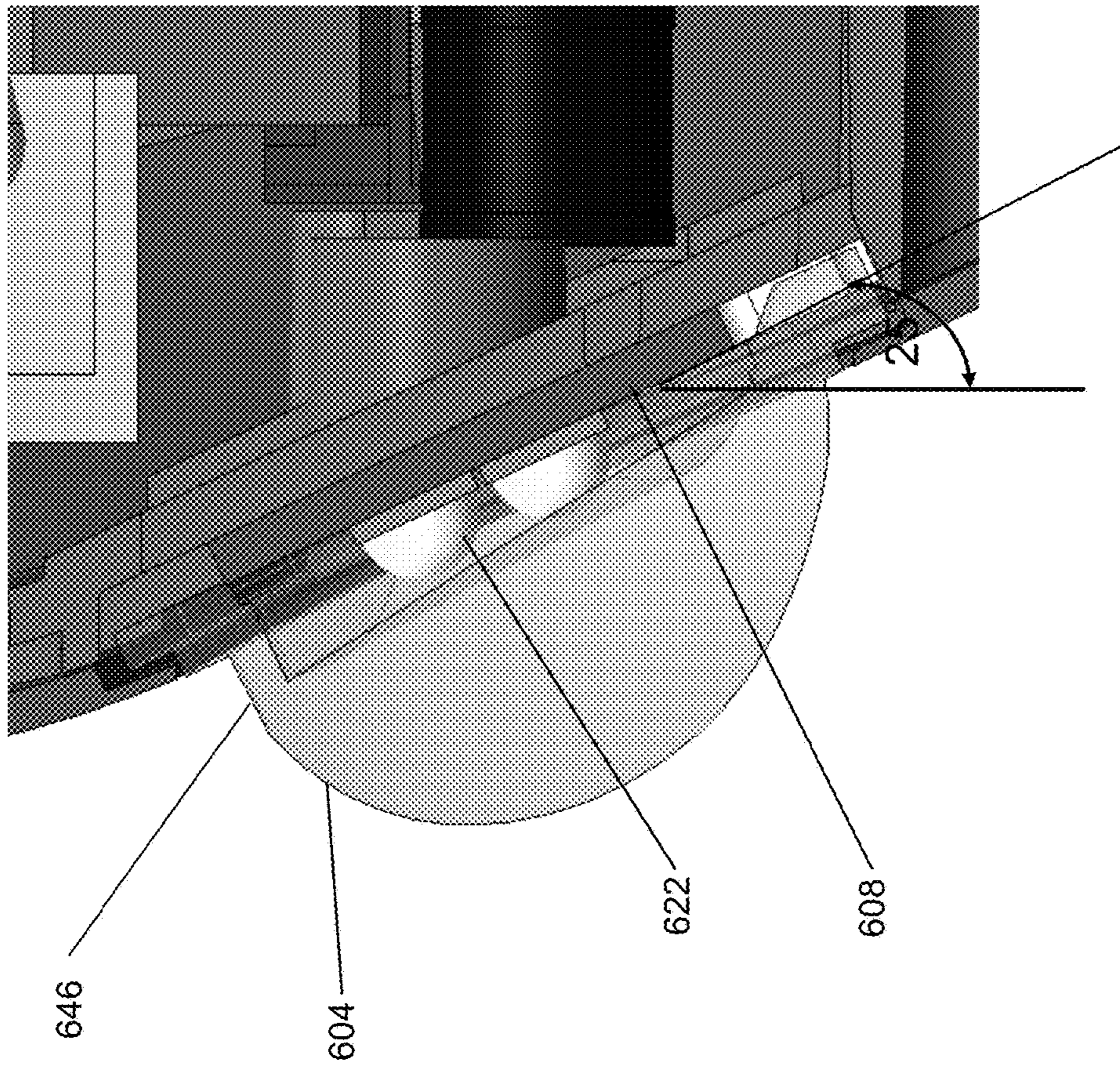


Fig. 6E



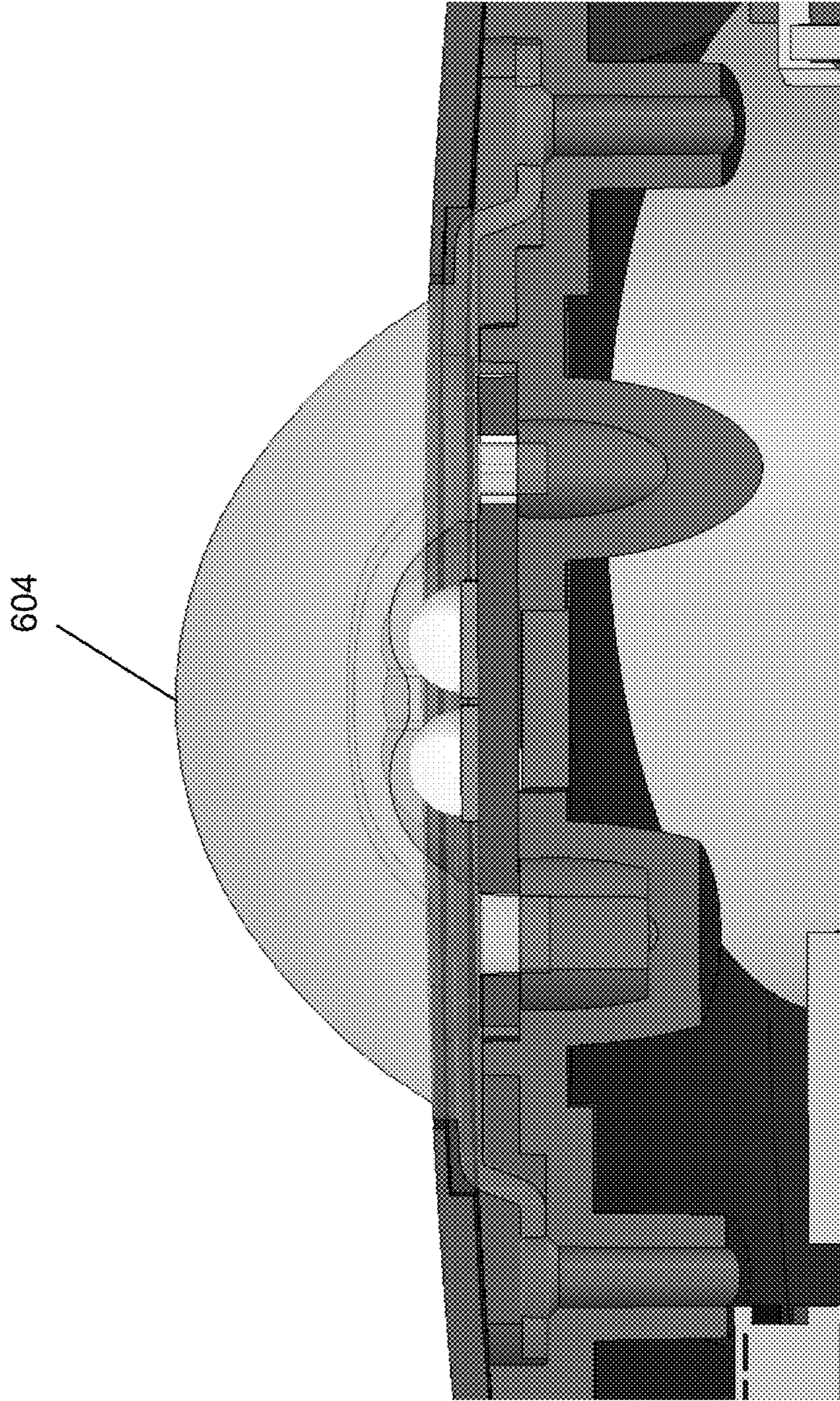


Fig. 6F



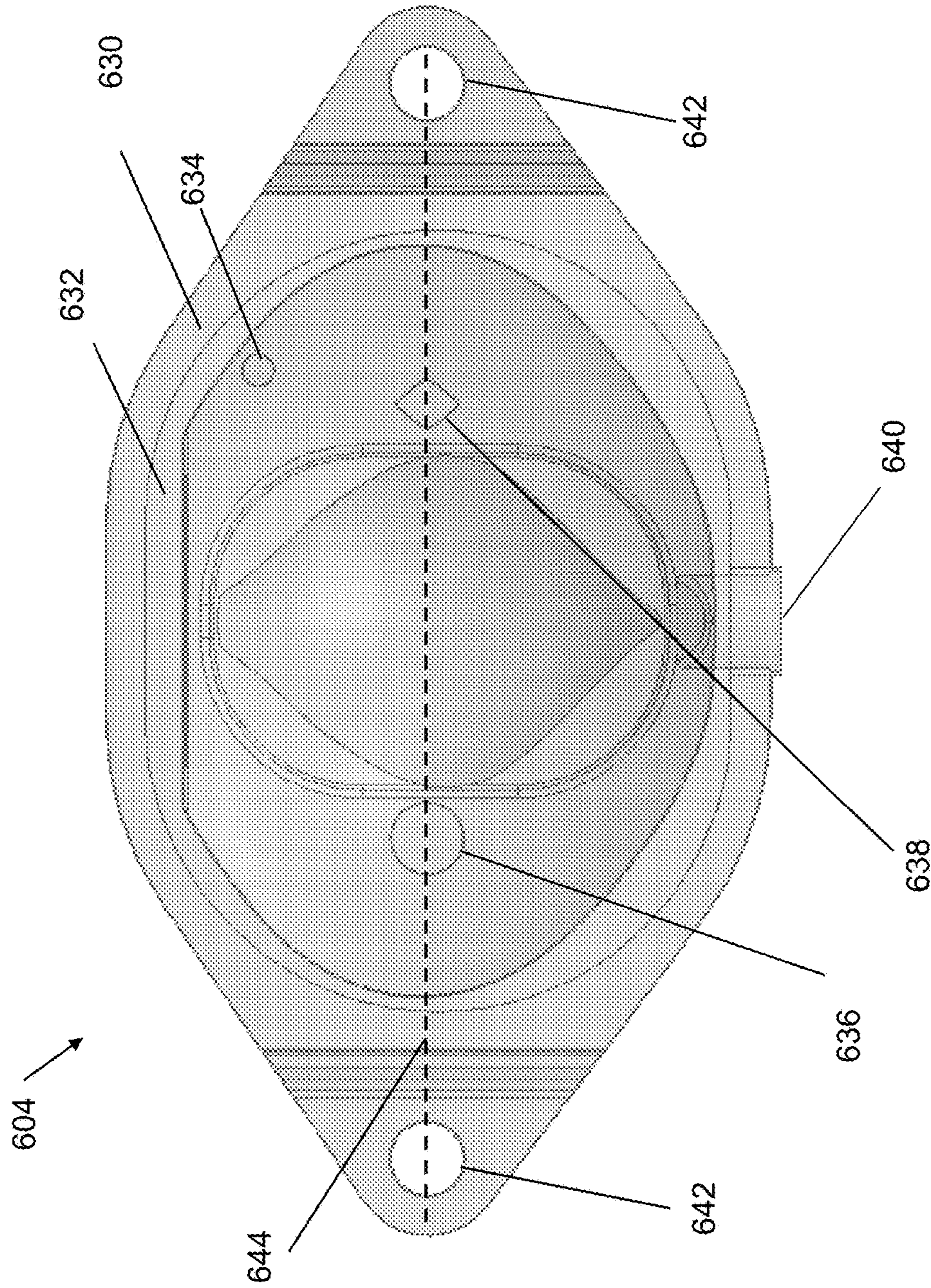


Fig. 6G



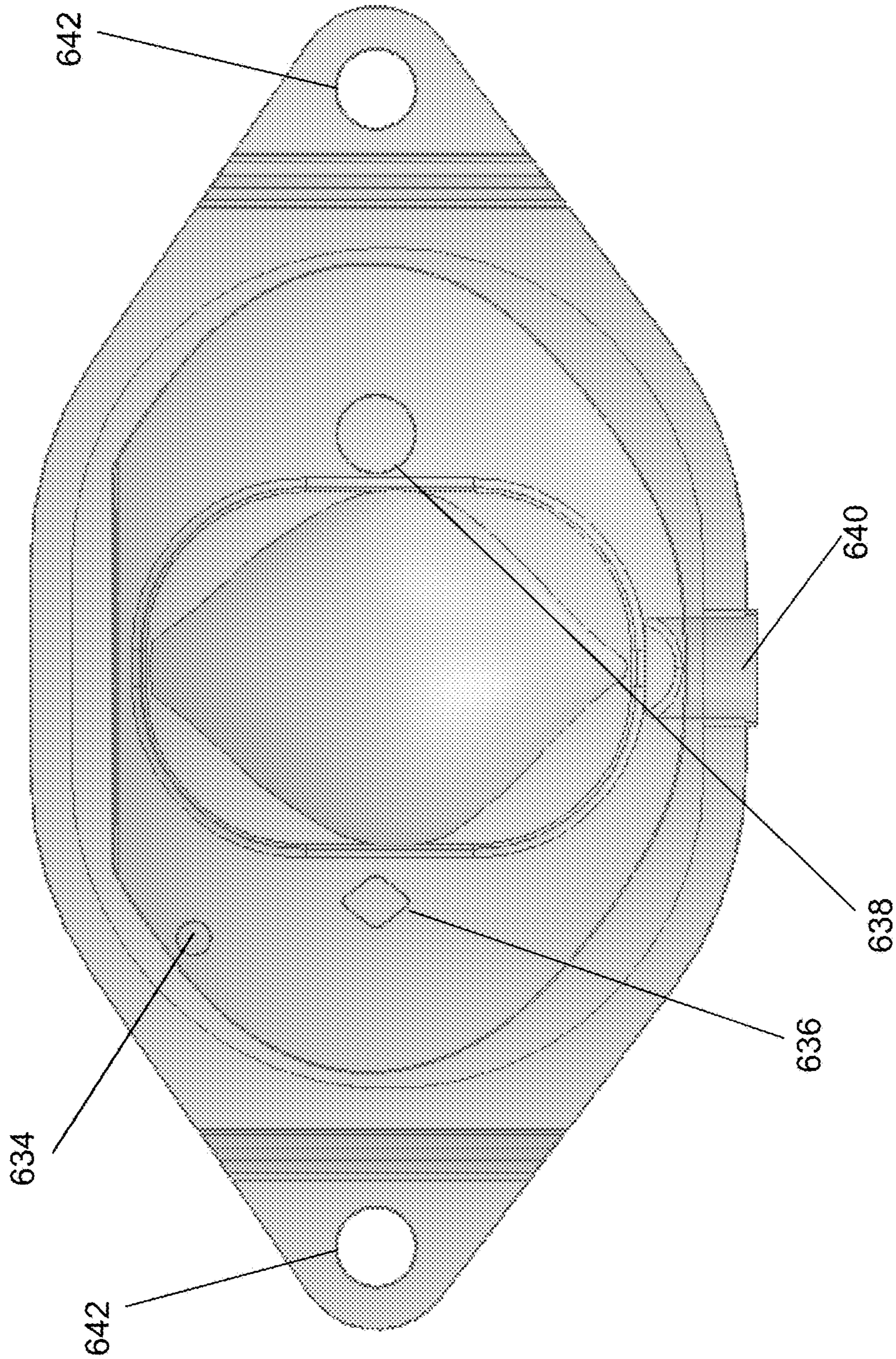


Fig. 6H



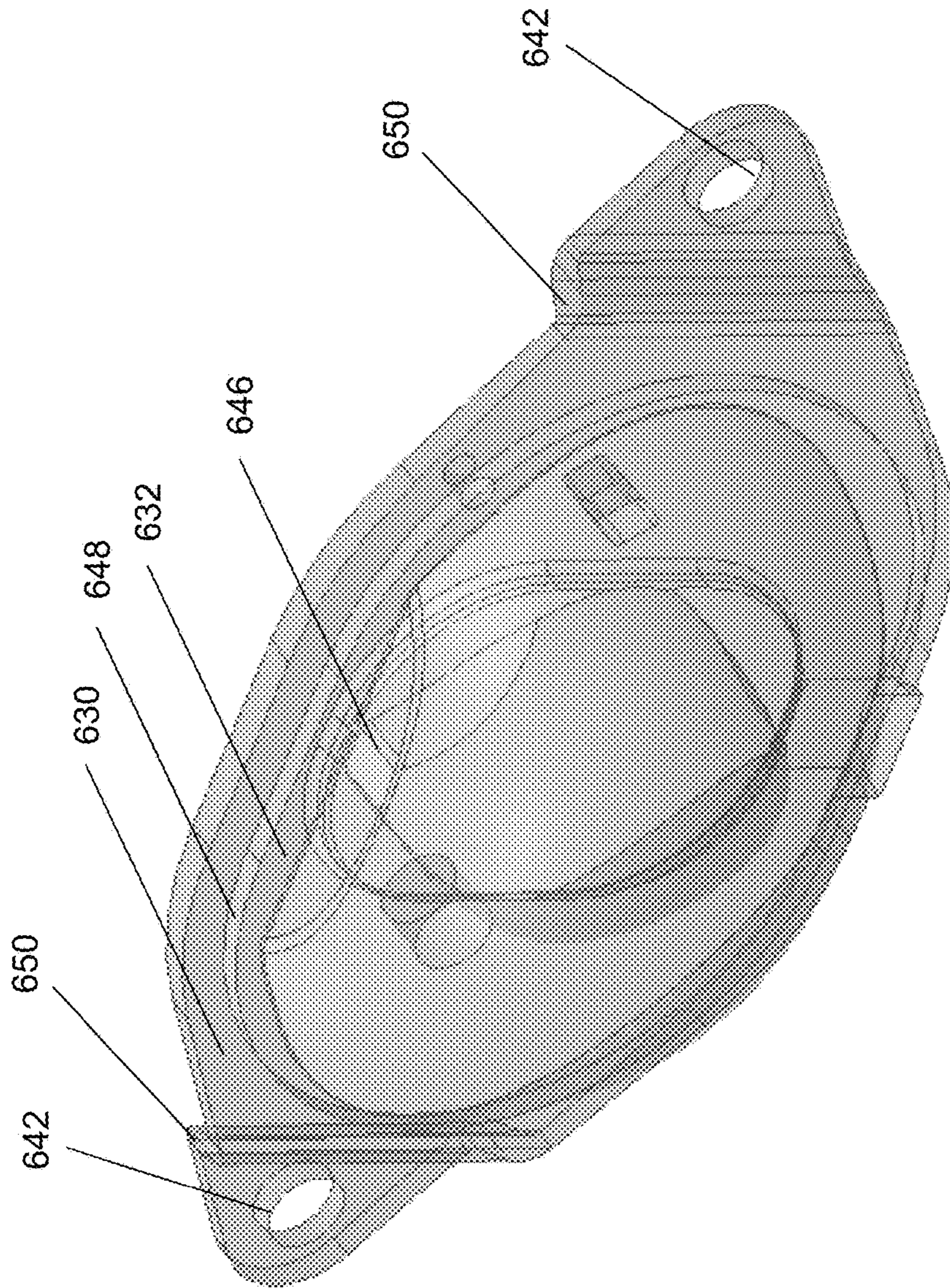


Fig. 6I



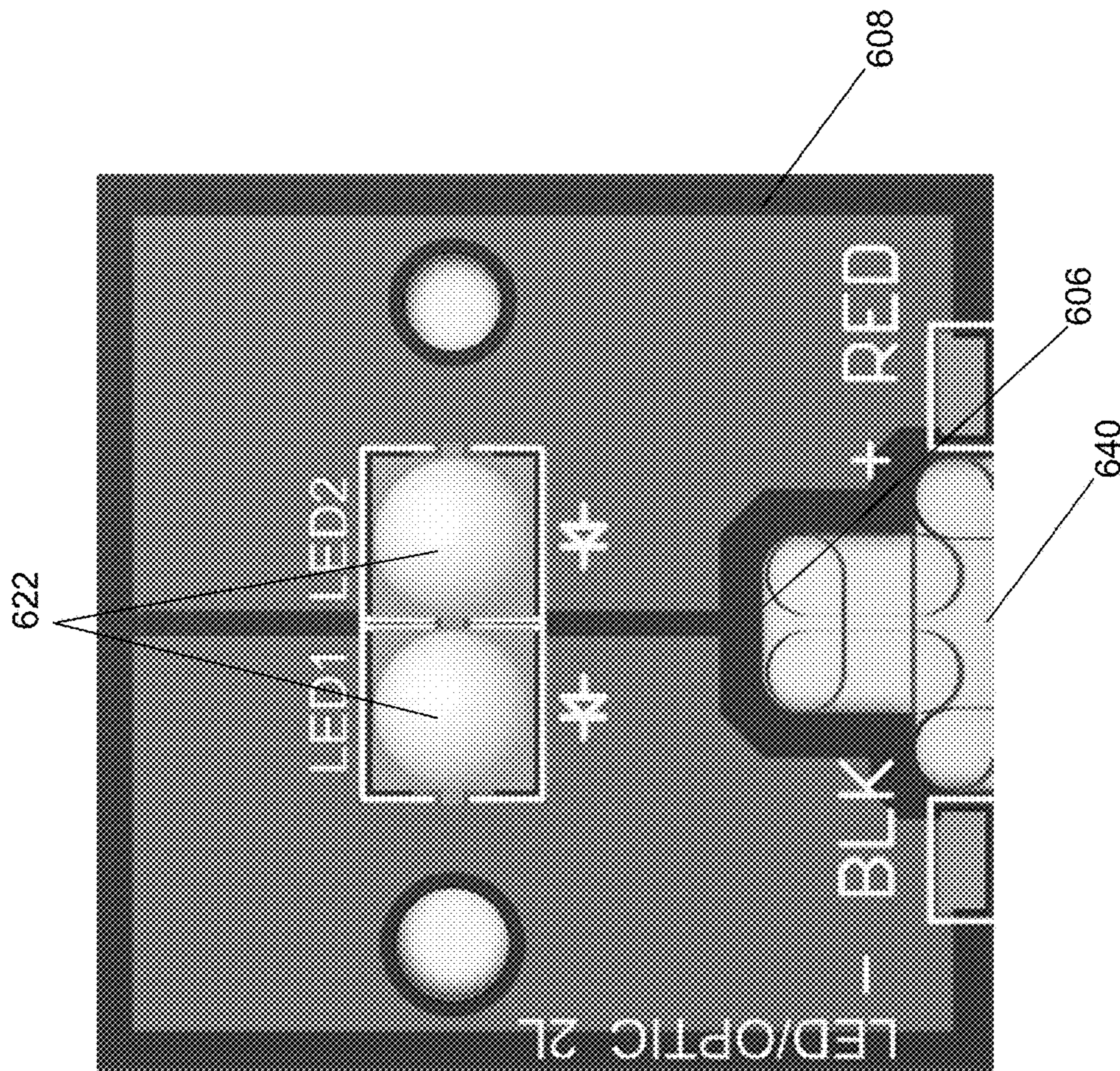


Fig. 6J

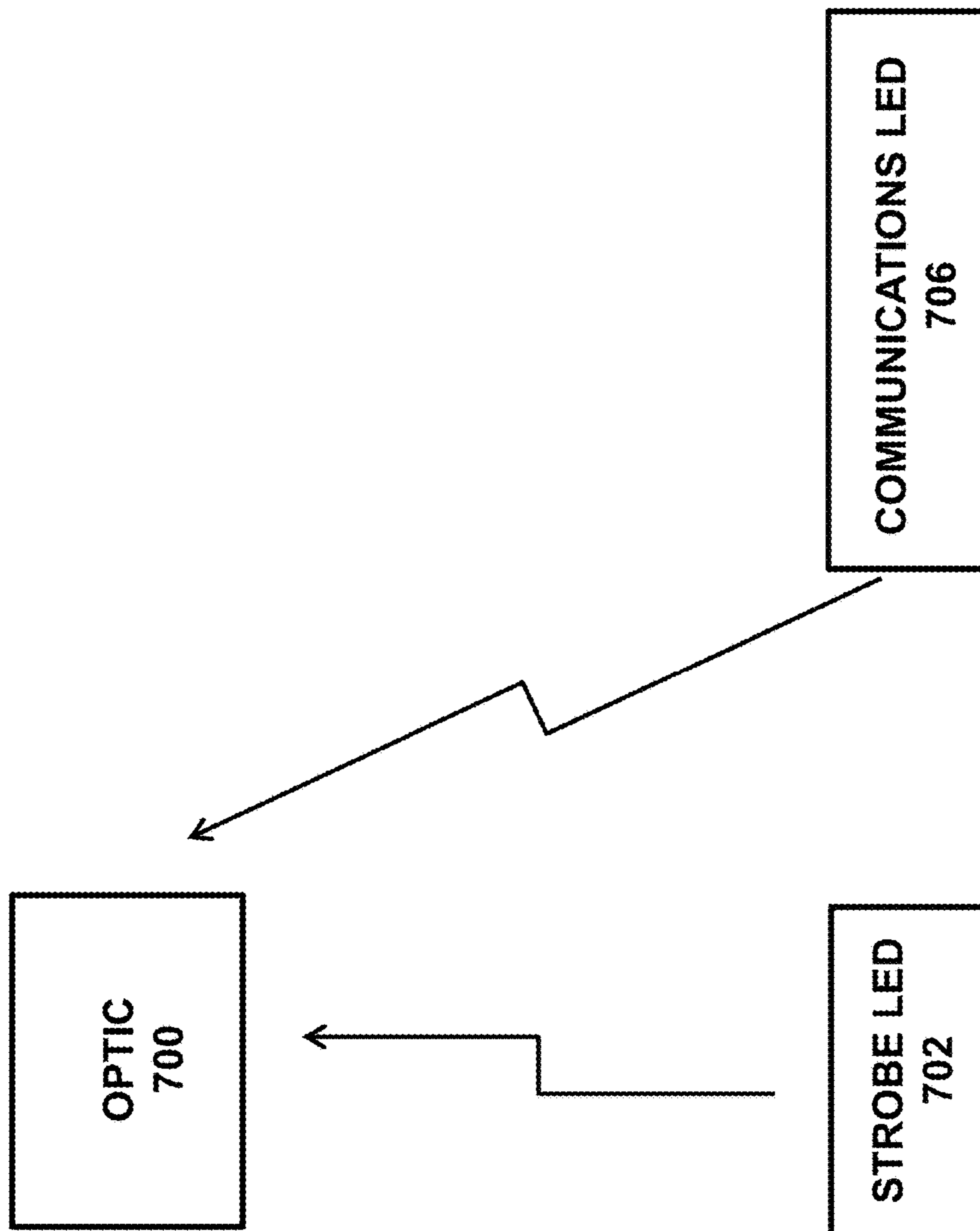


Fig. 7A

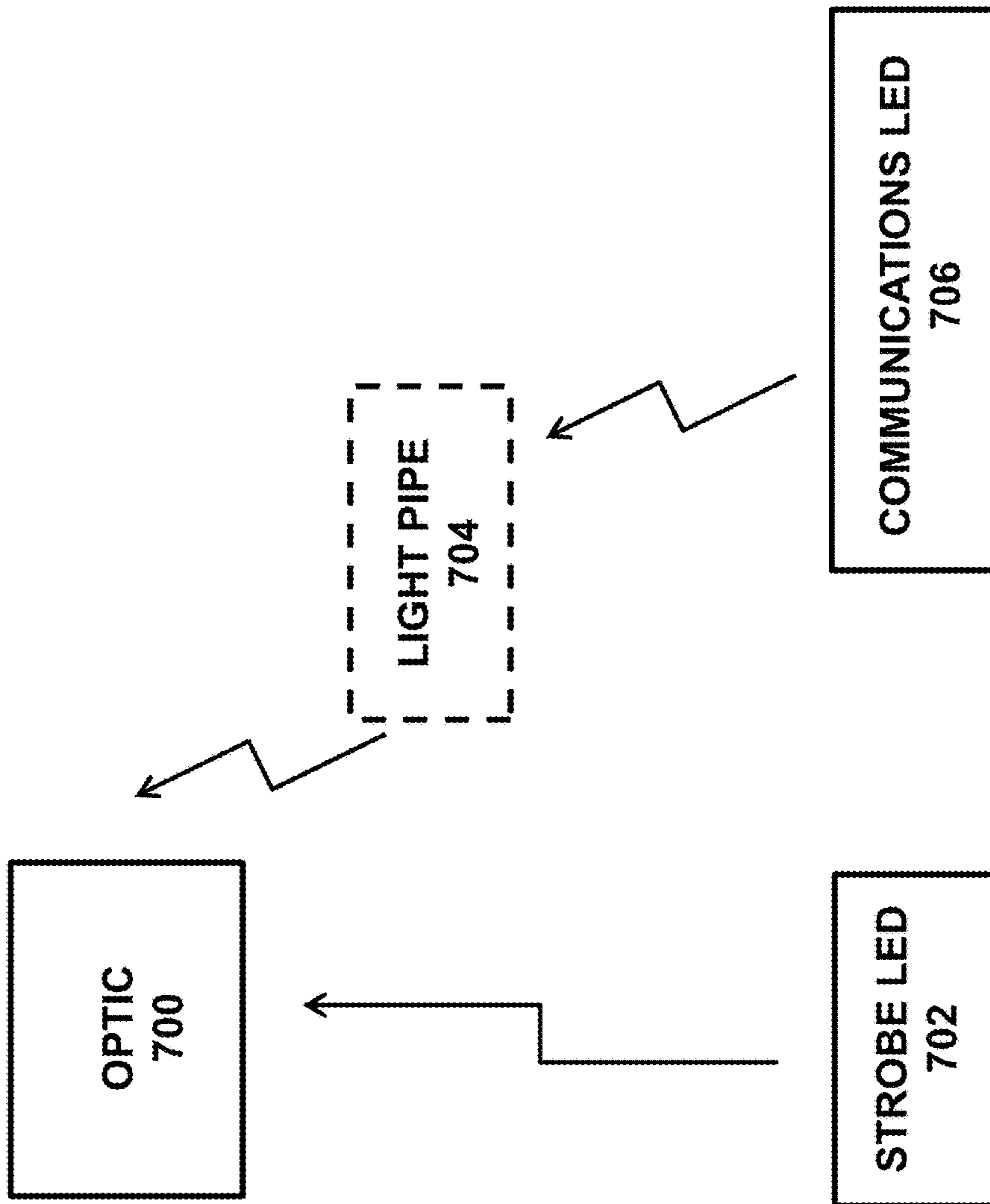


Fig. 7B



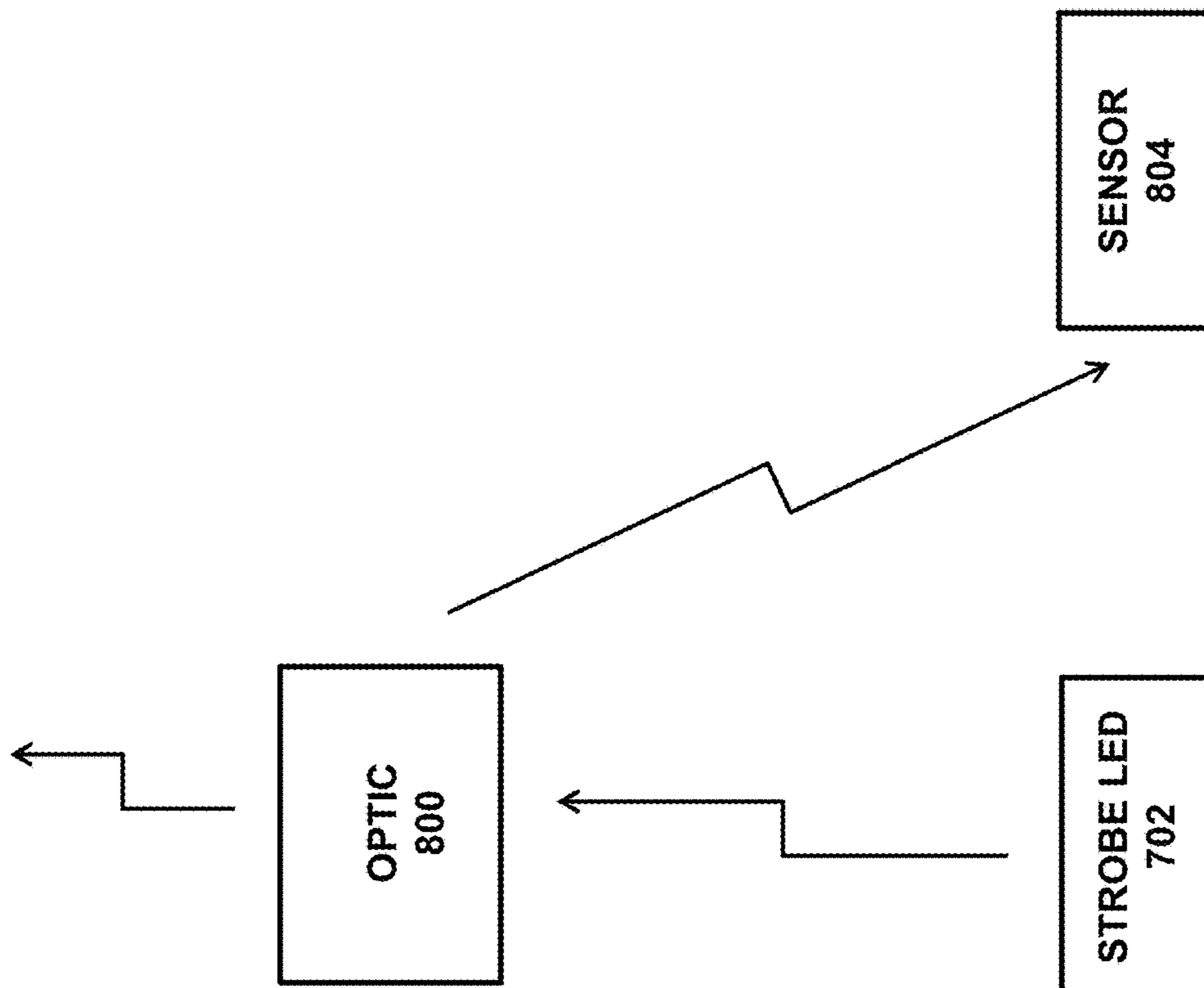


Fig. 8A

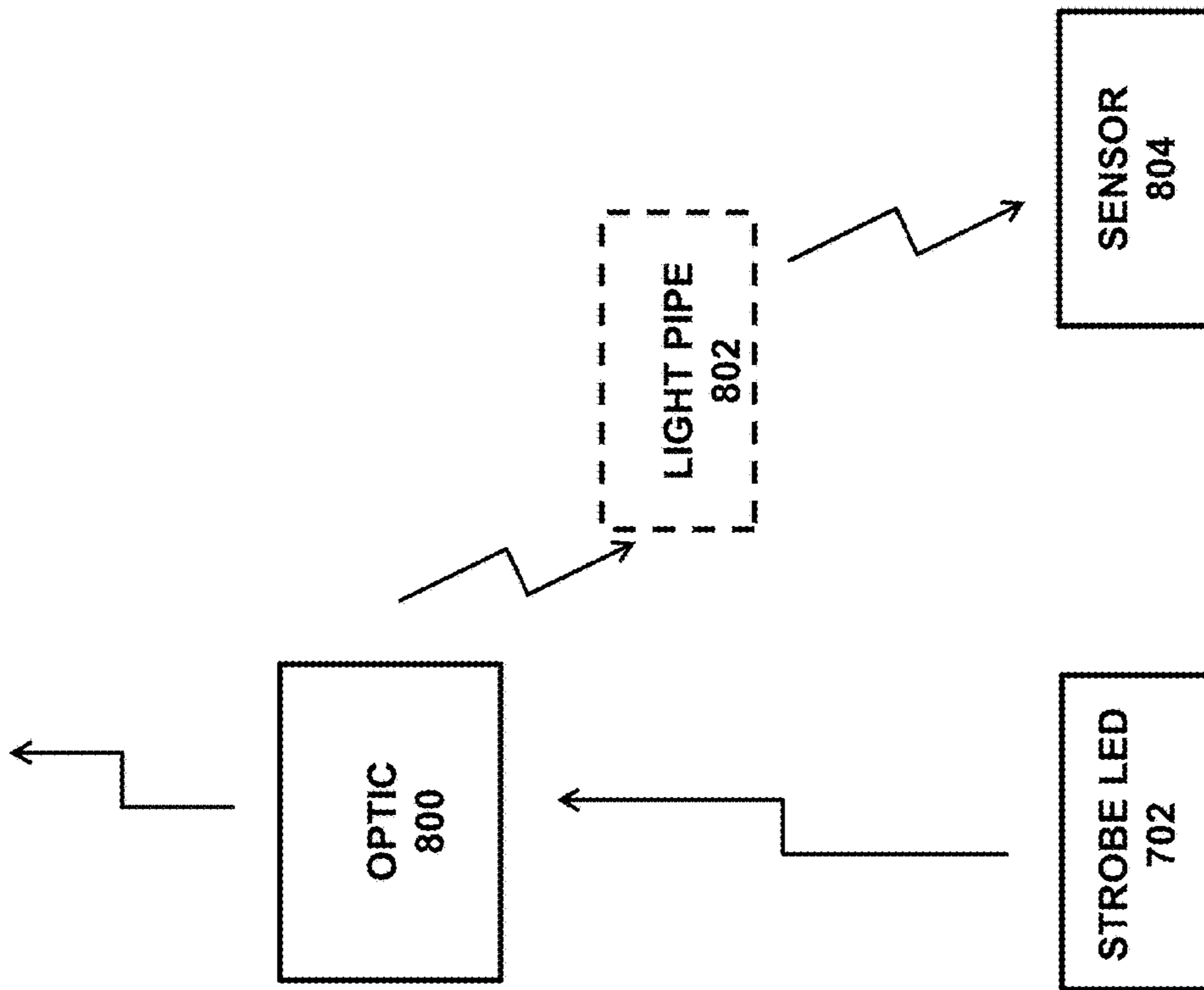


Fig. 8B

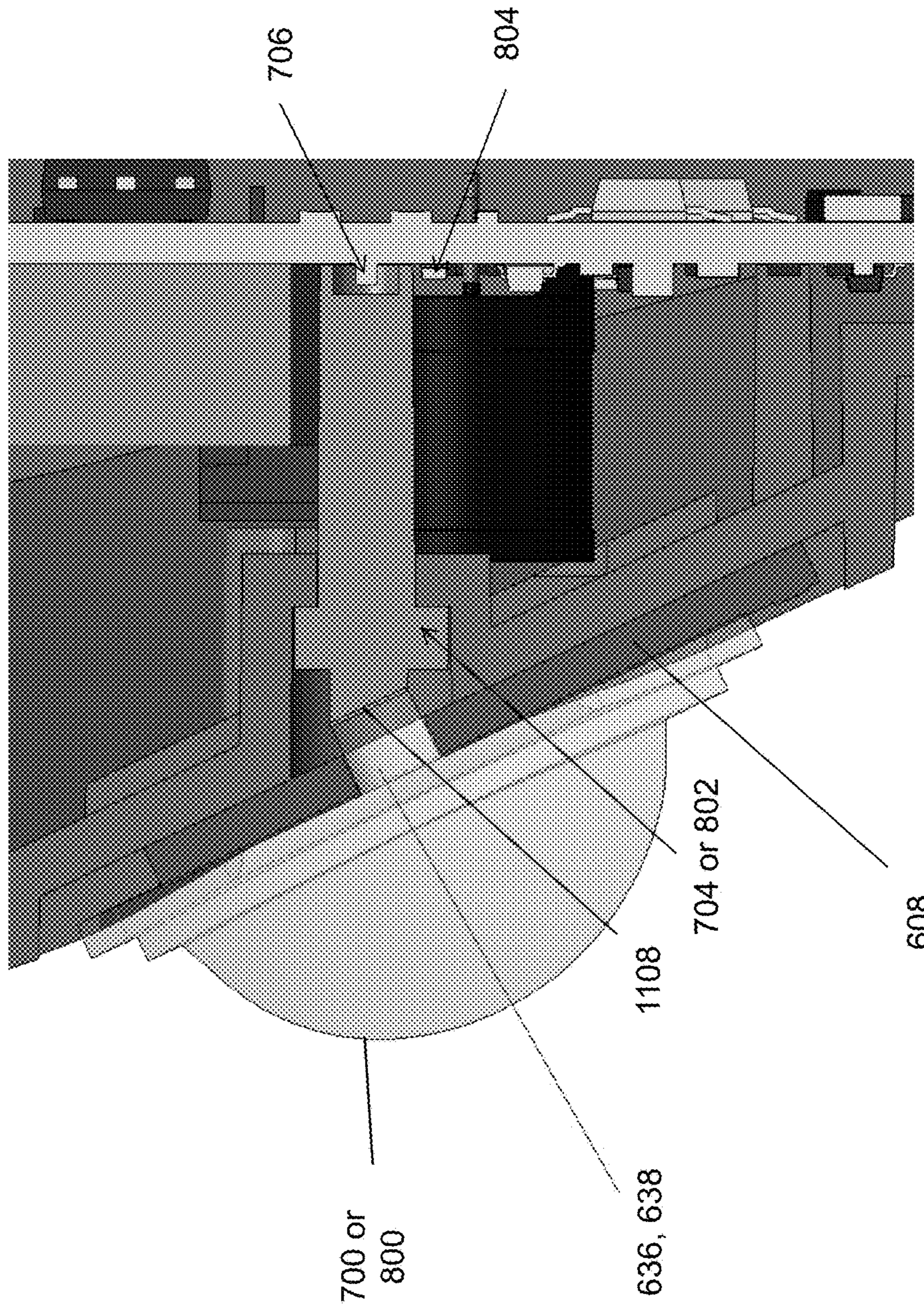


Fig. 8C



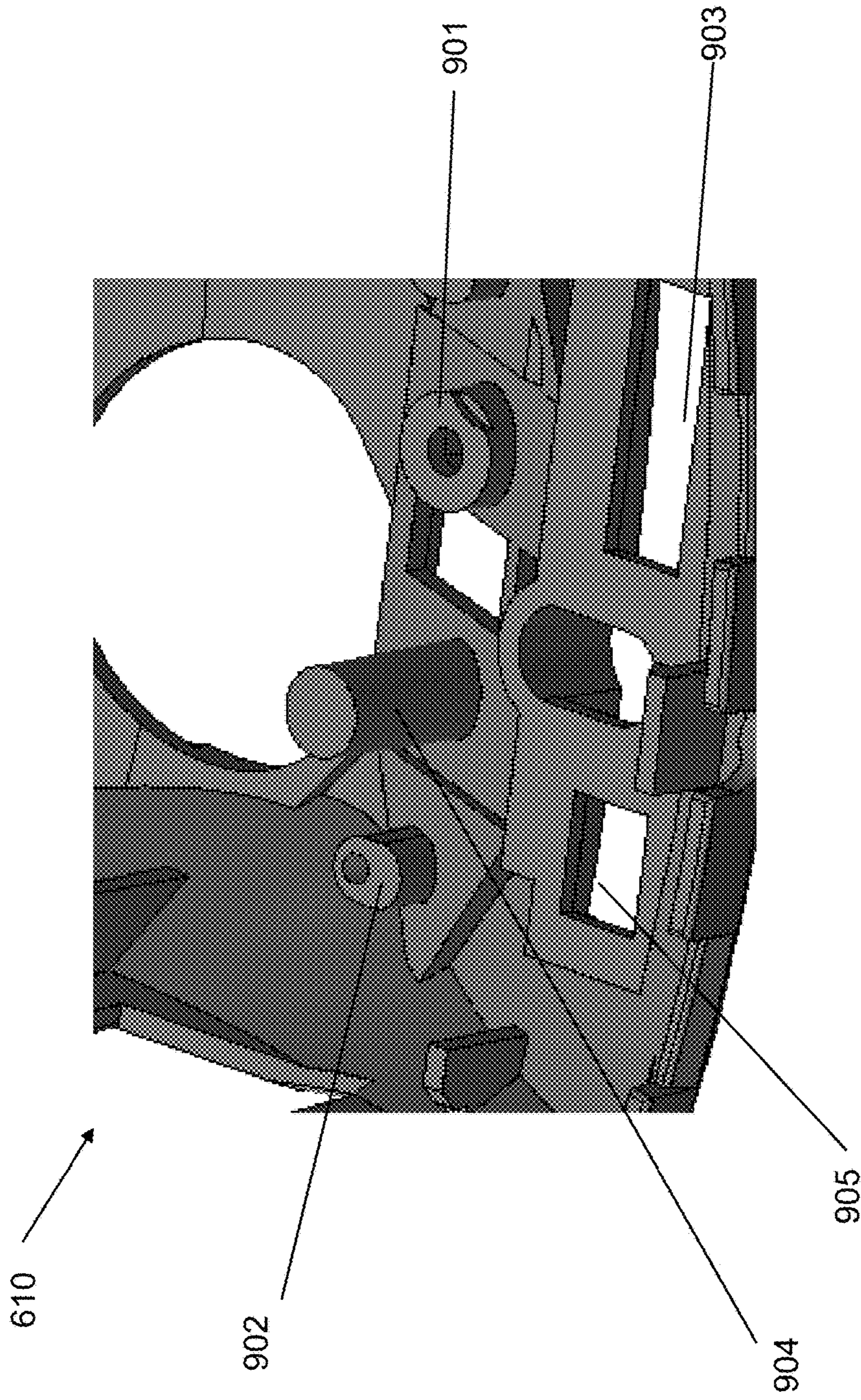


Fig. 9A



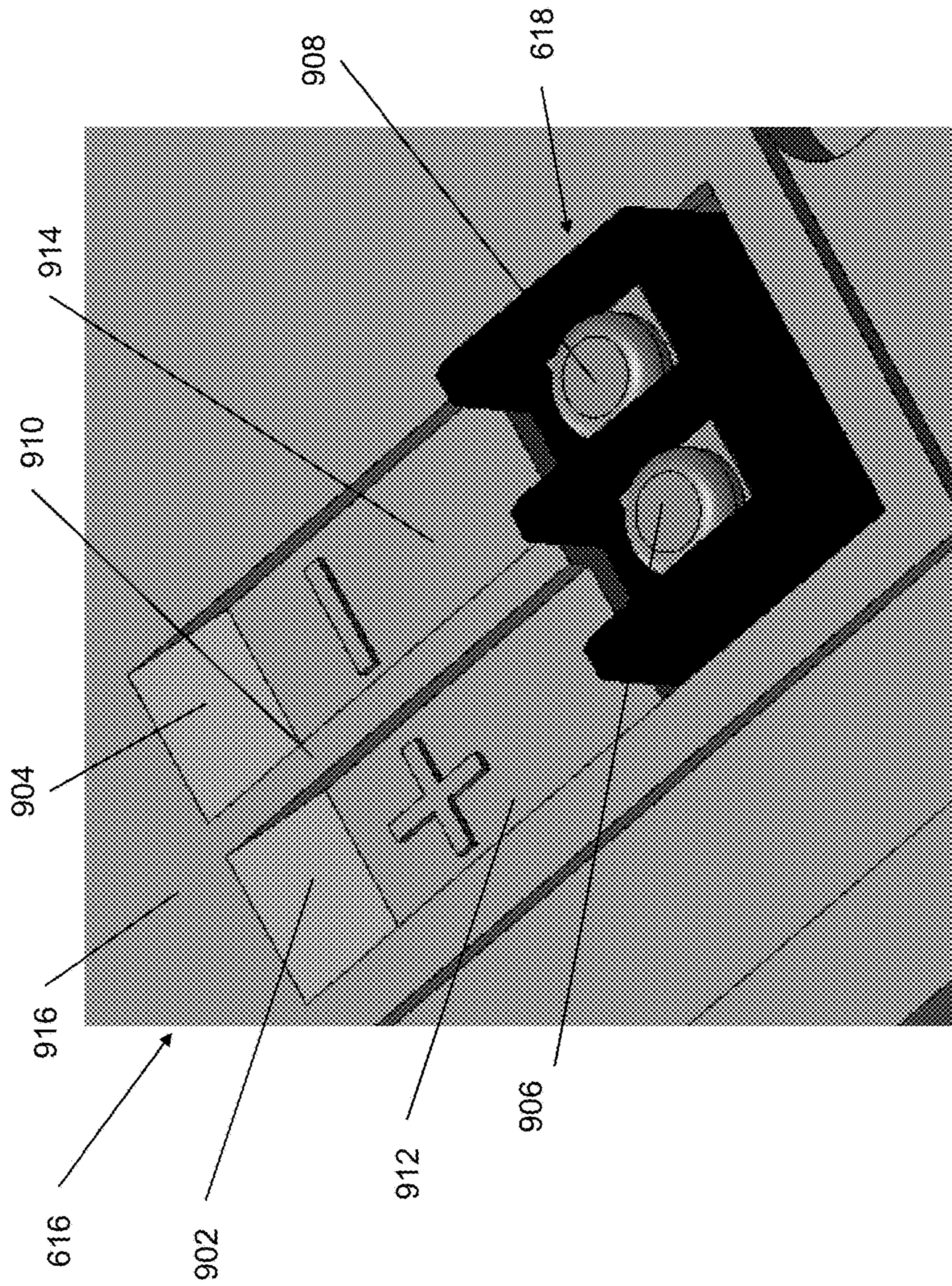


Fig. 9B



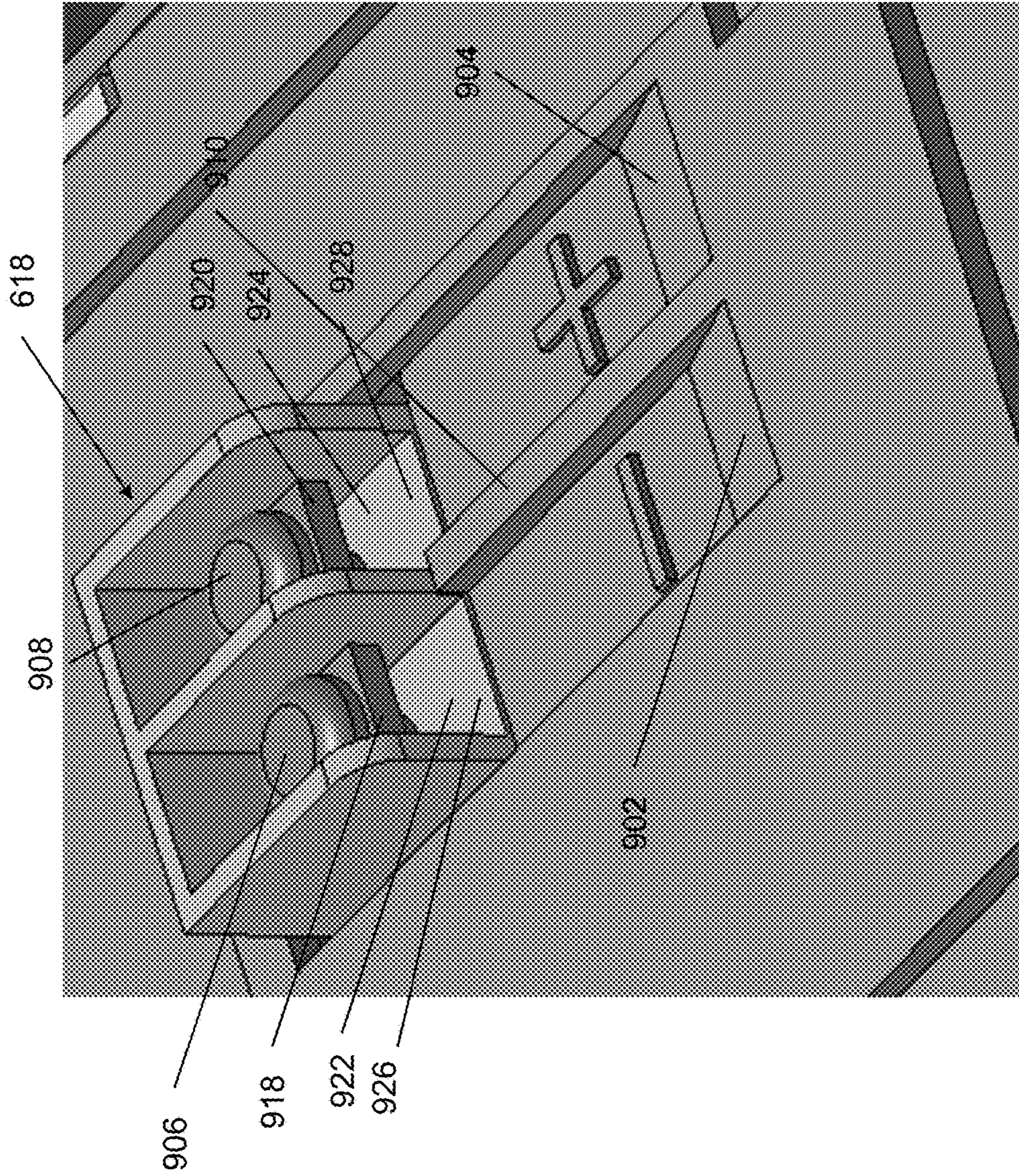


Fig. 9C



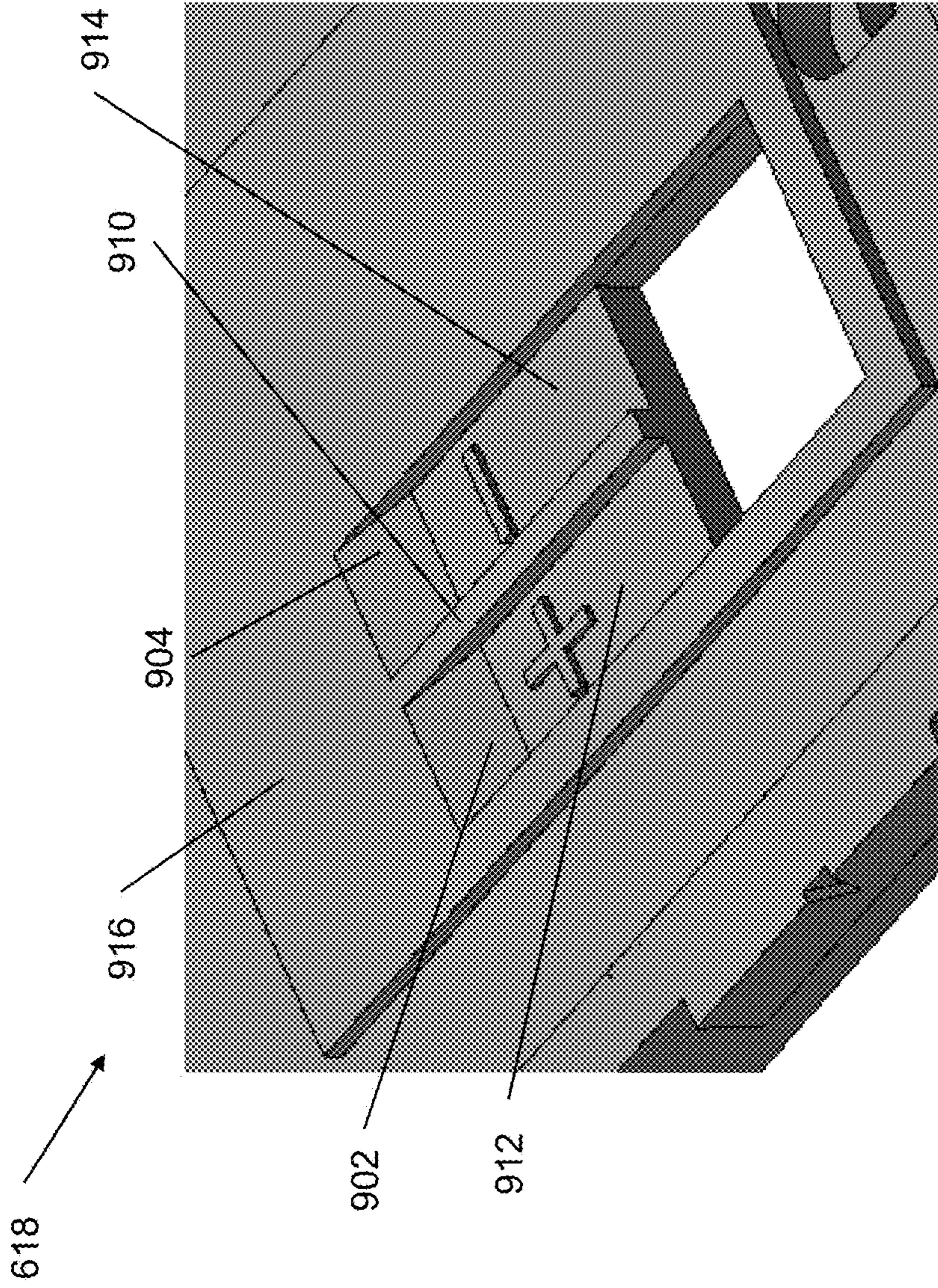


Fig. 9D



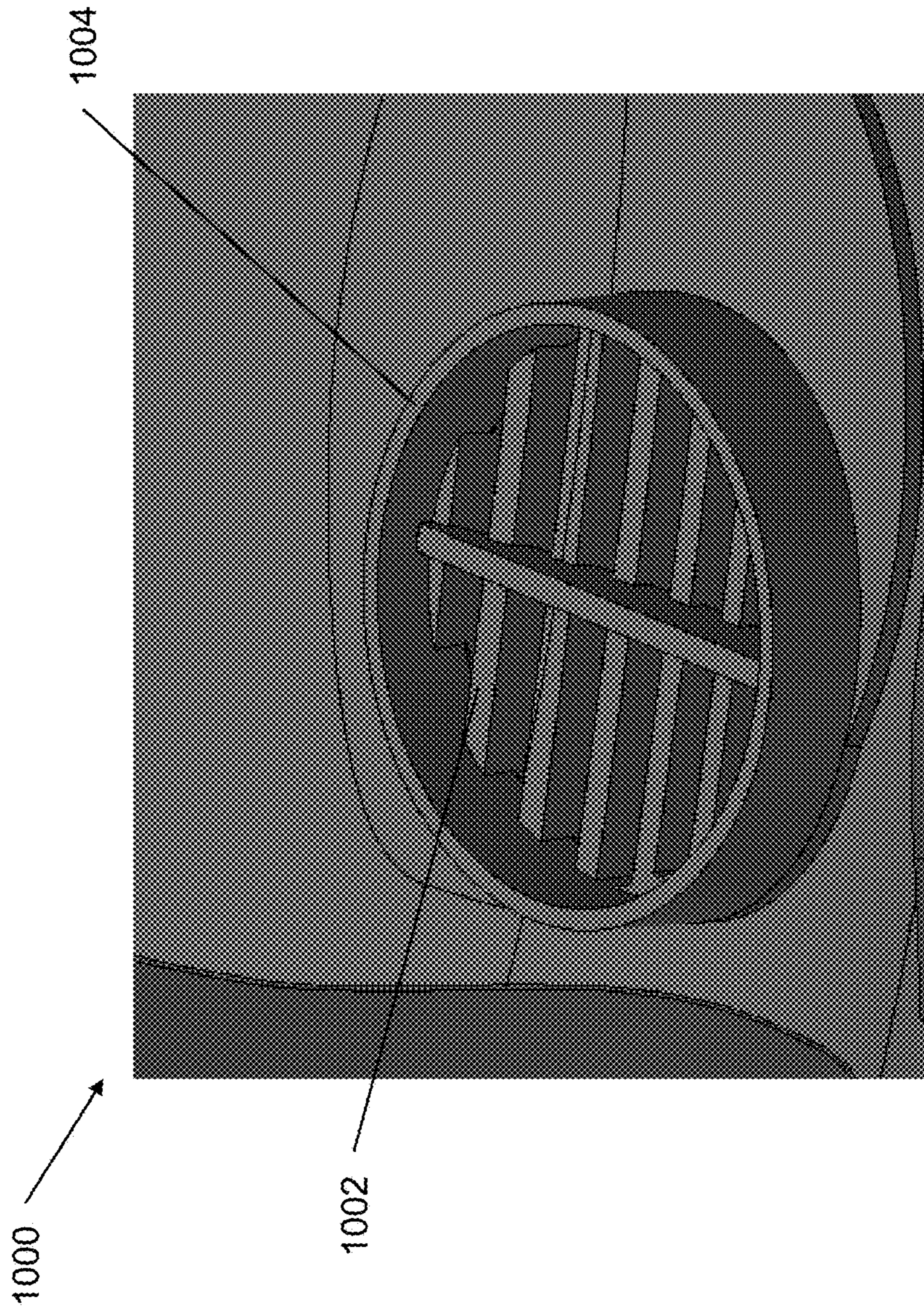


Fig. 10A



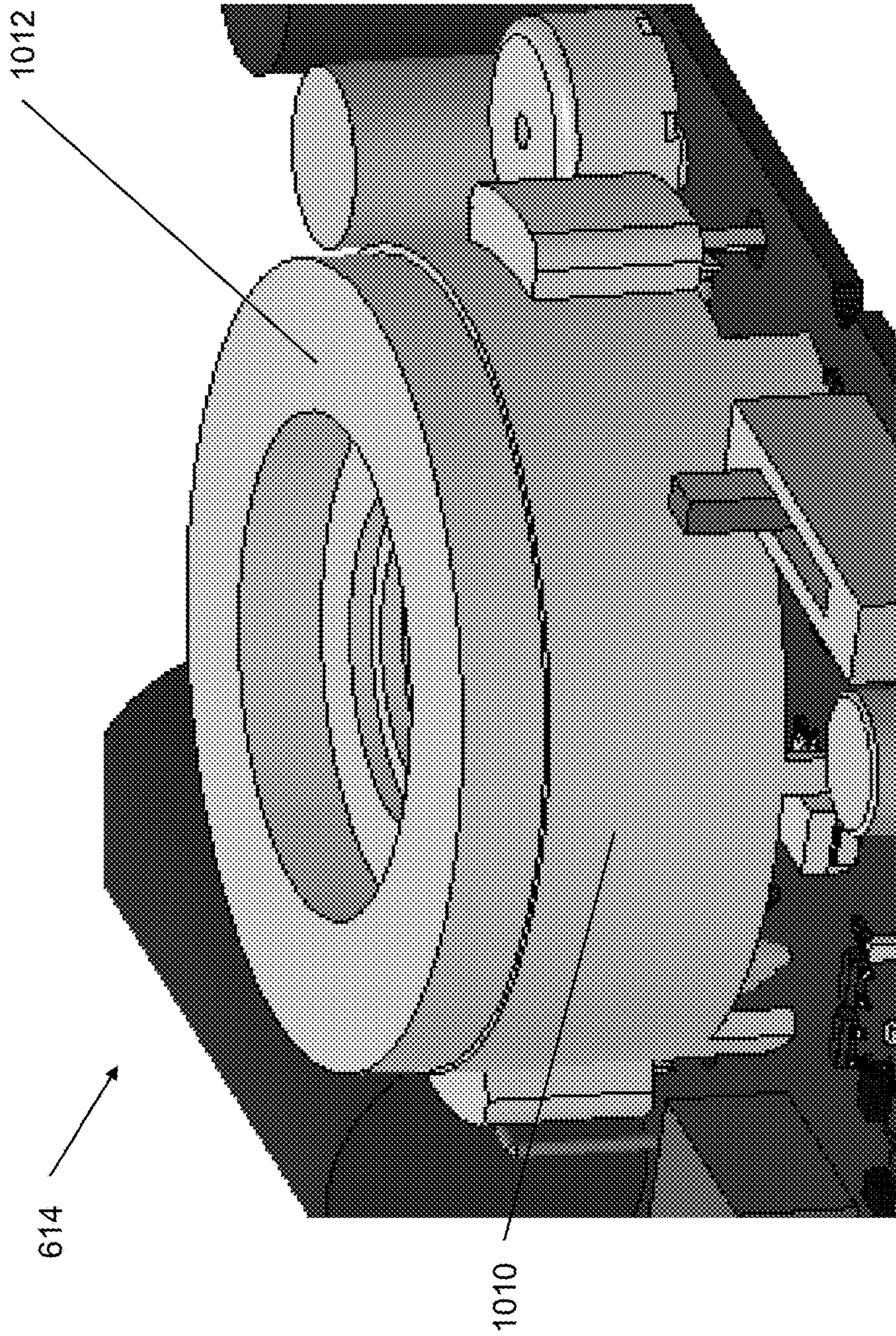


Fig. 10B



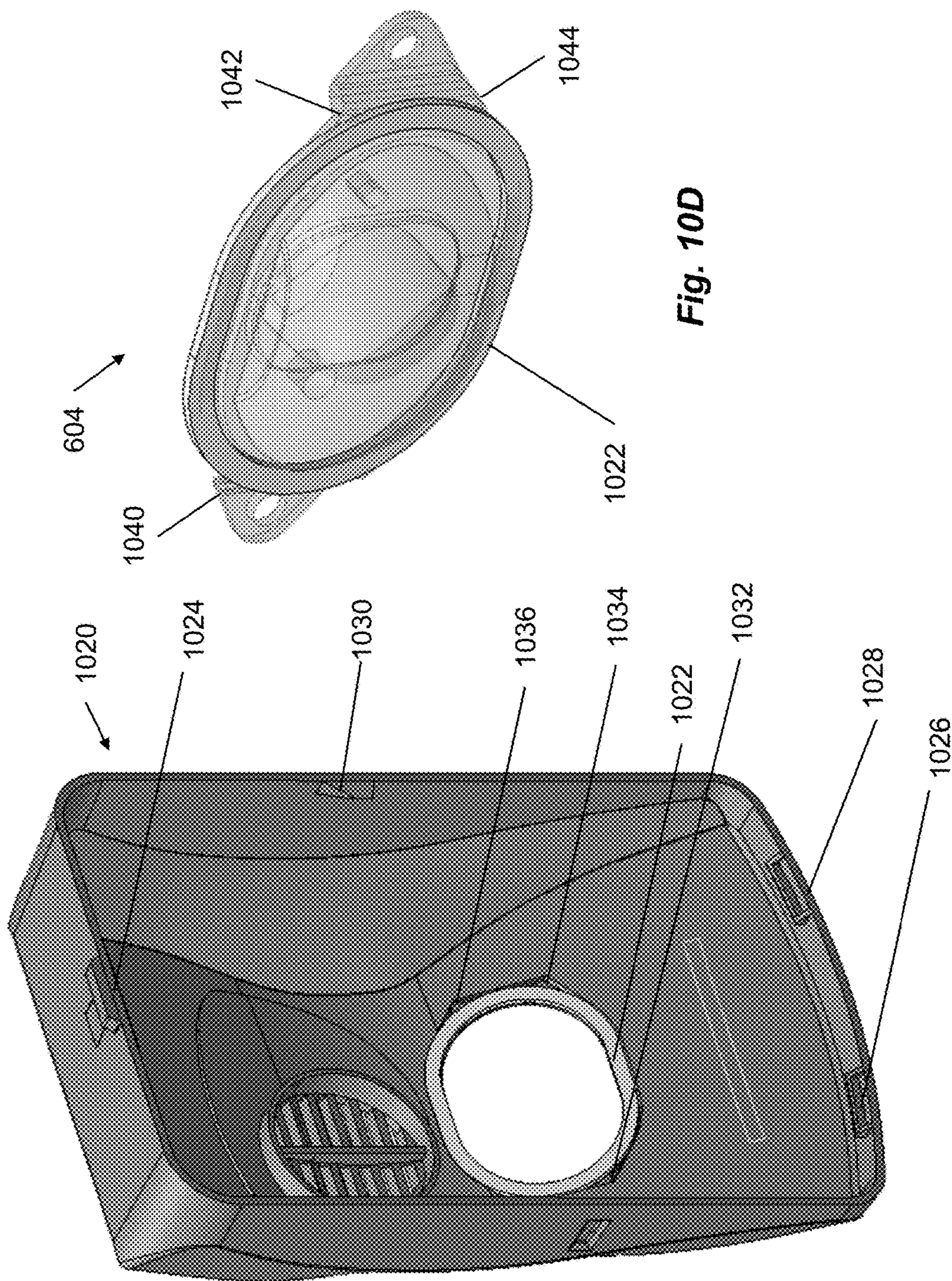


Fig. 10D

Fig. 10C



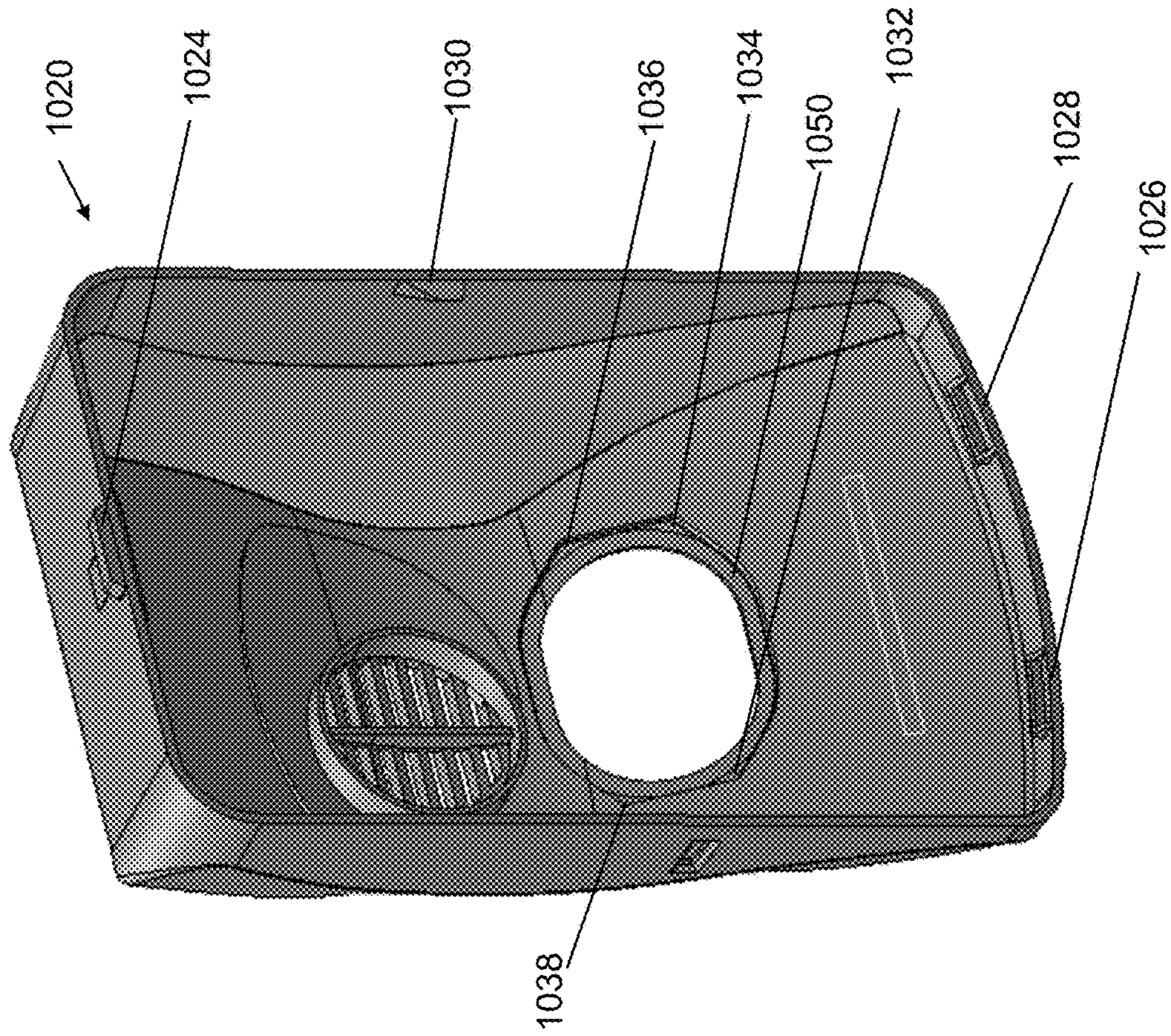


Fig. 10E

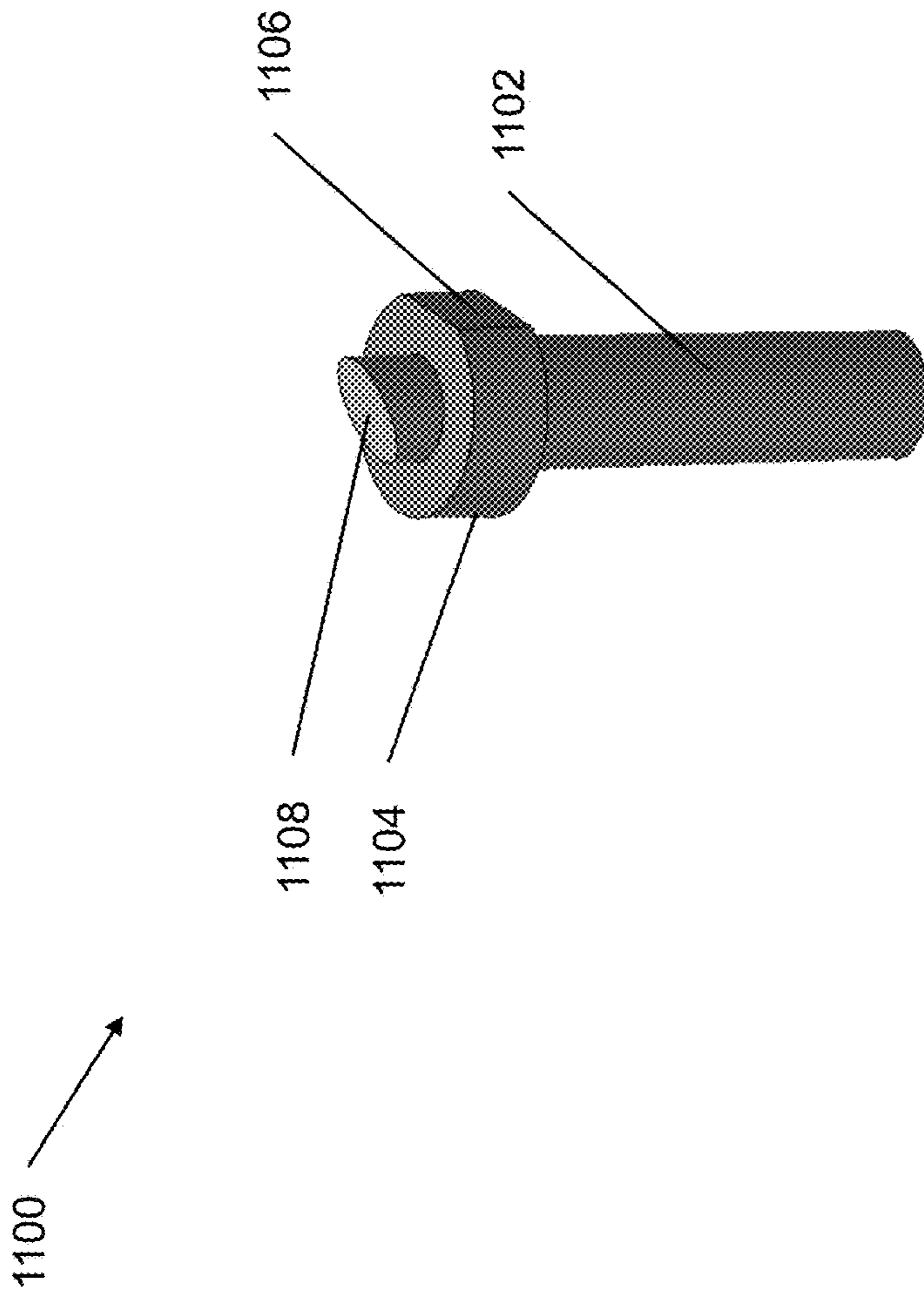


Fig. 11A



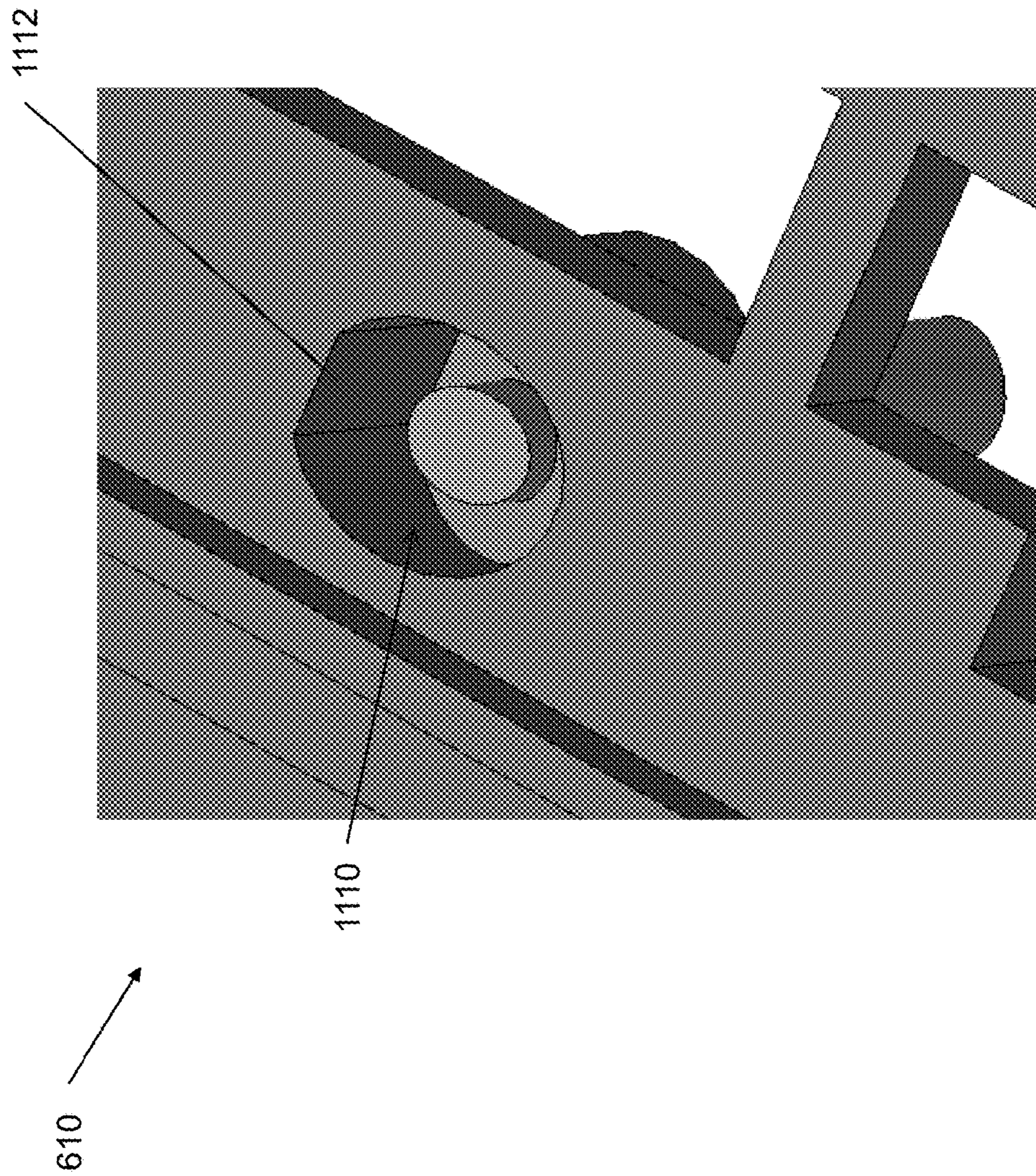


Fig. 11B



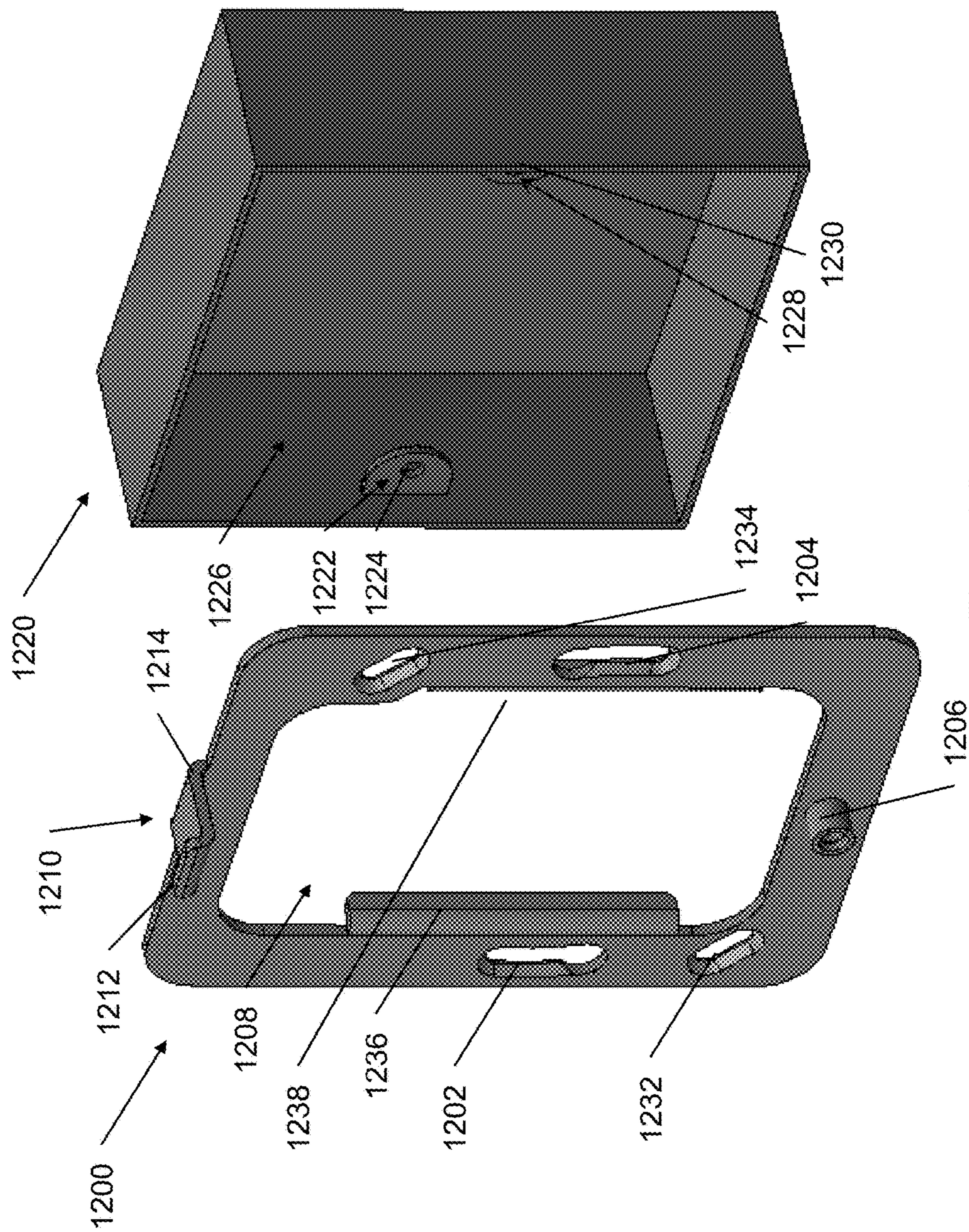


Fig. 12A



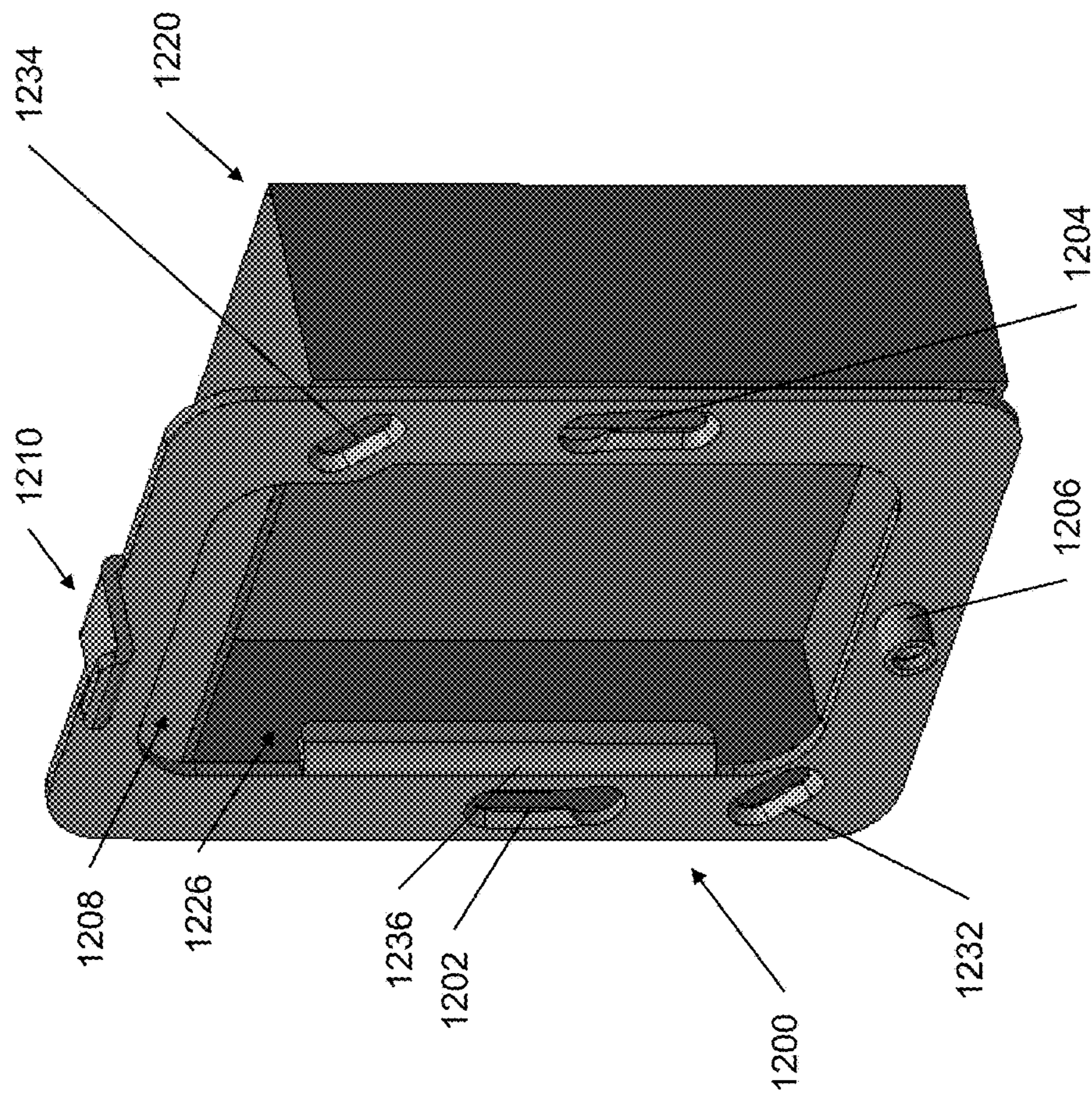


Fig. 12B



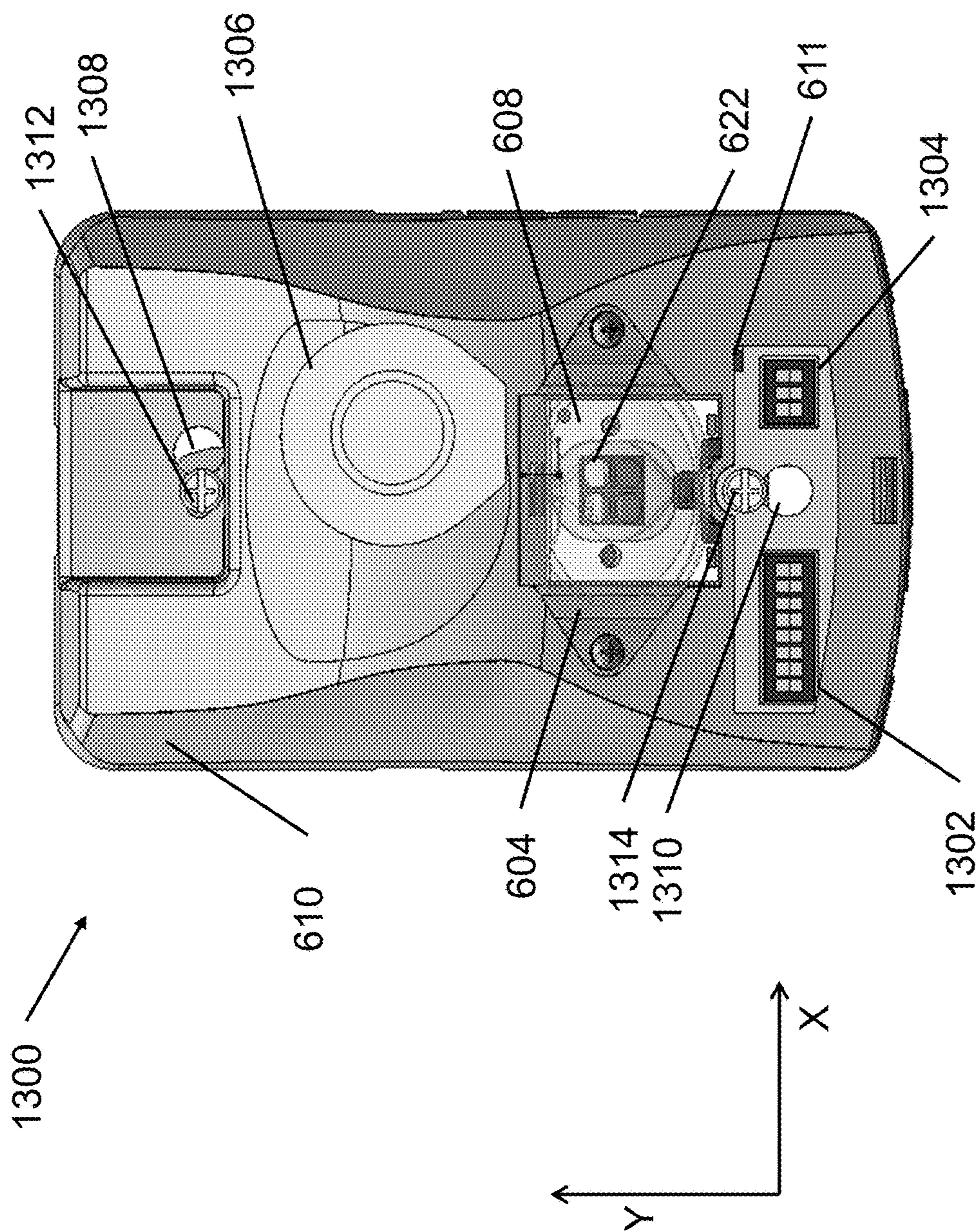


Fig. 13A



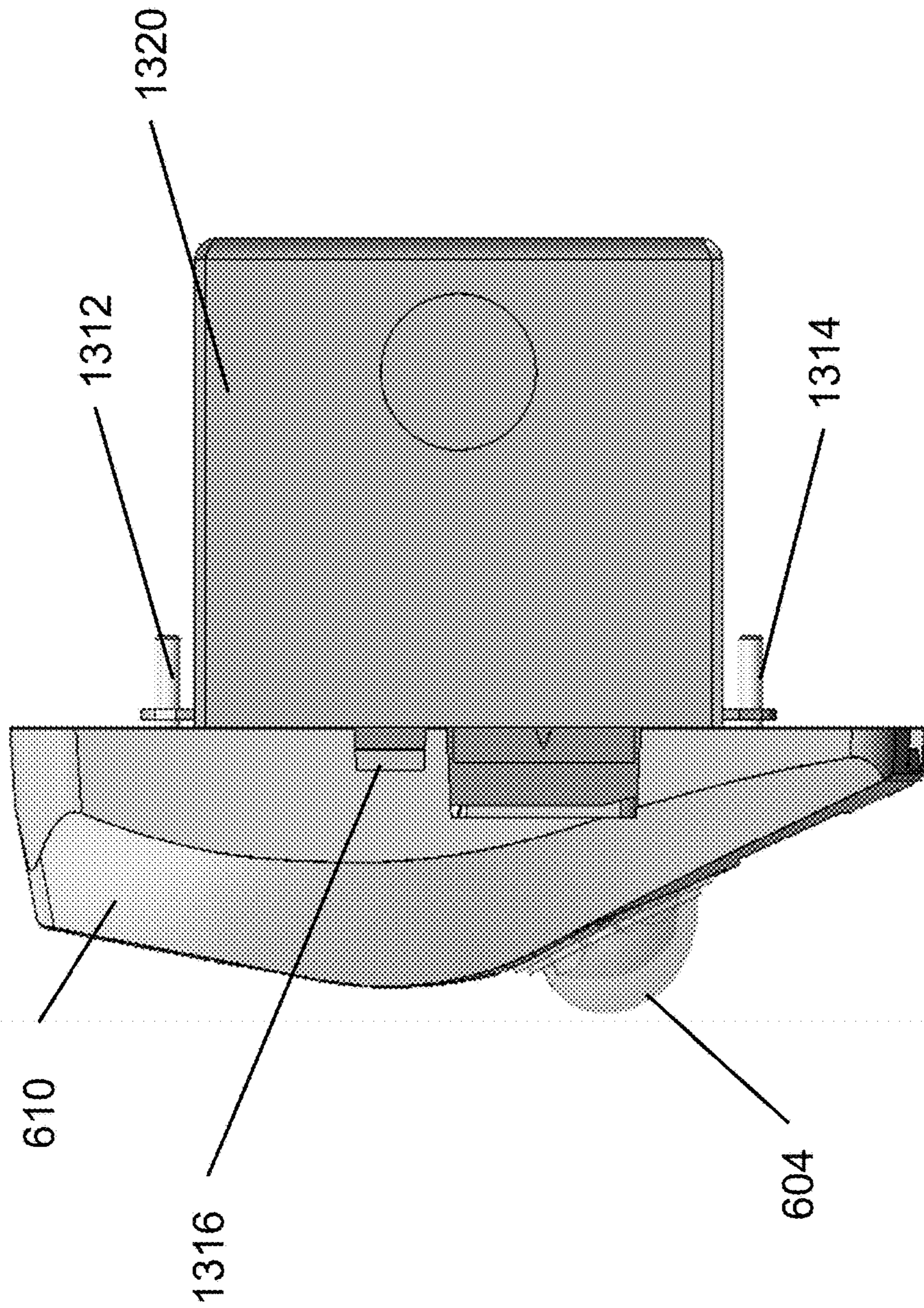


Fig. 13B

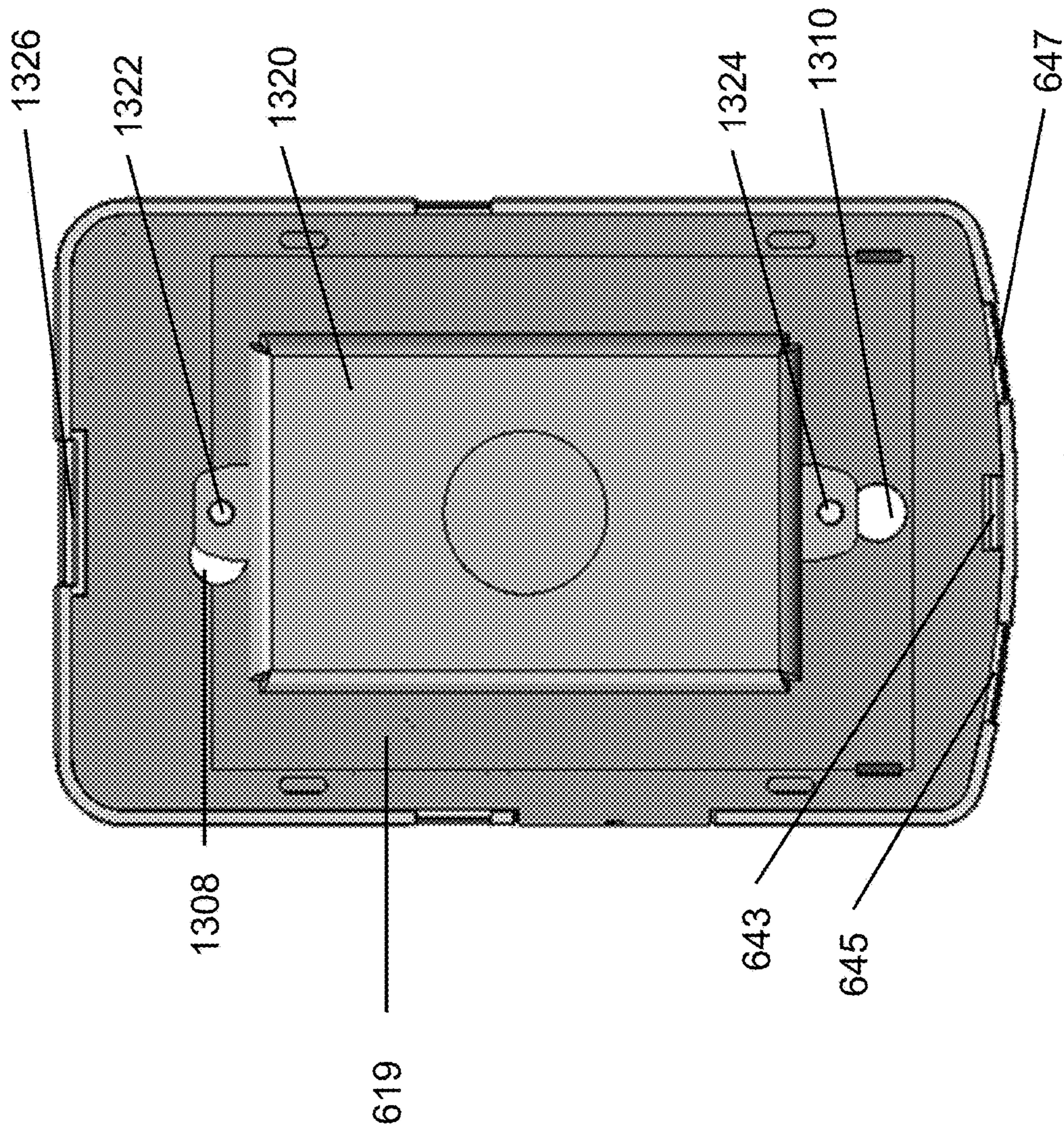


Fig. 13C



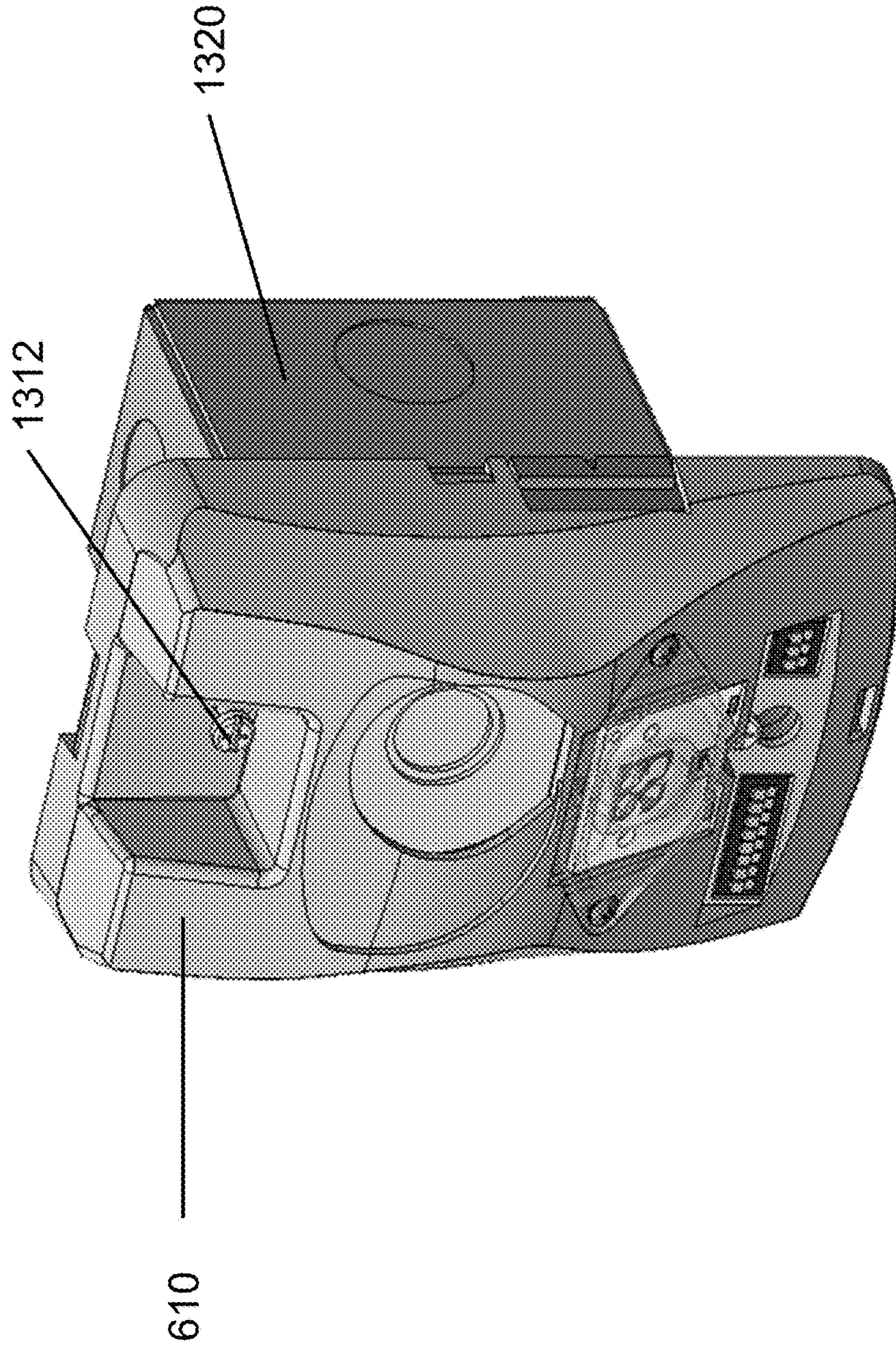


Fig. 13D



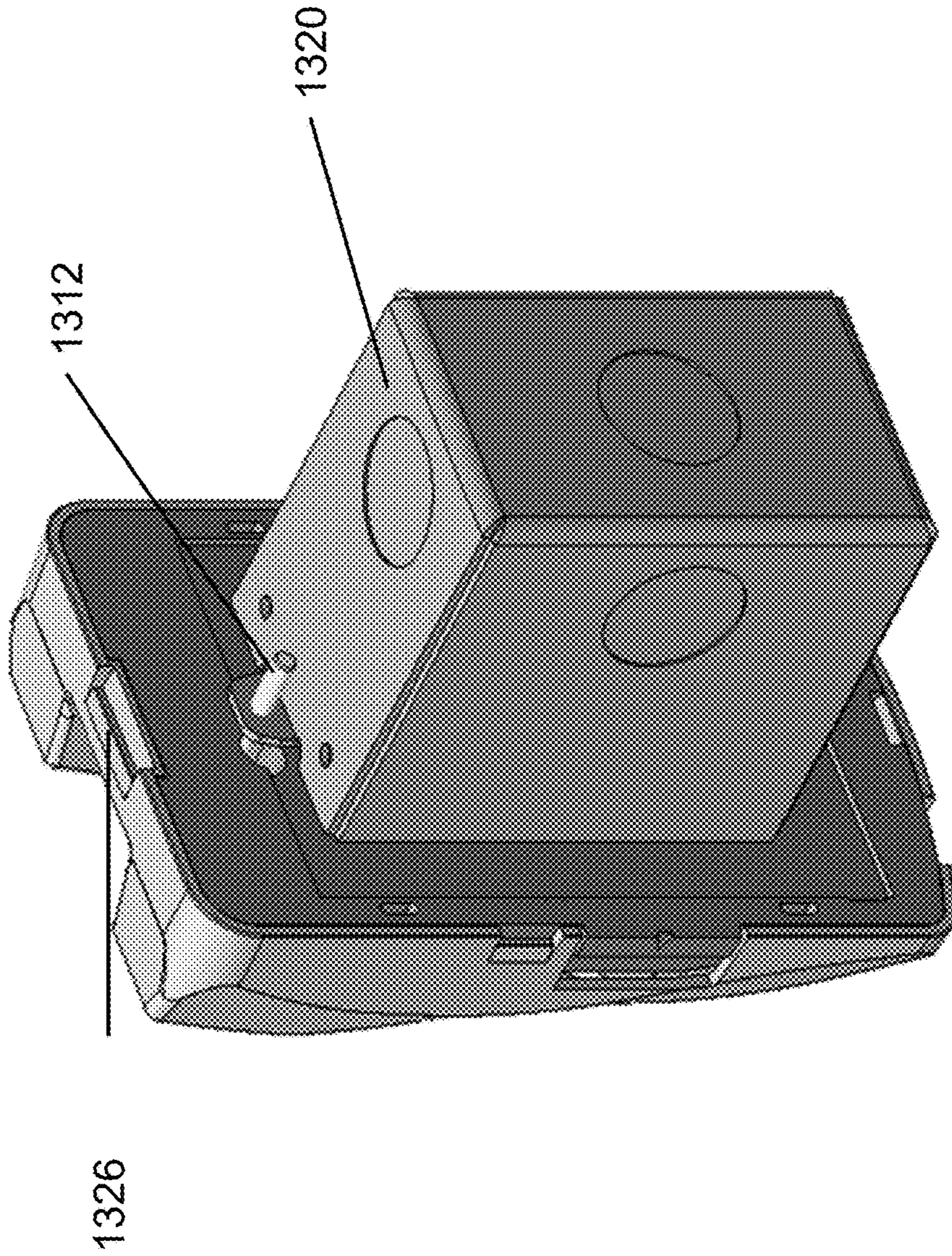


Fig. 13E



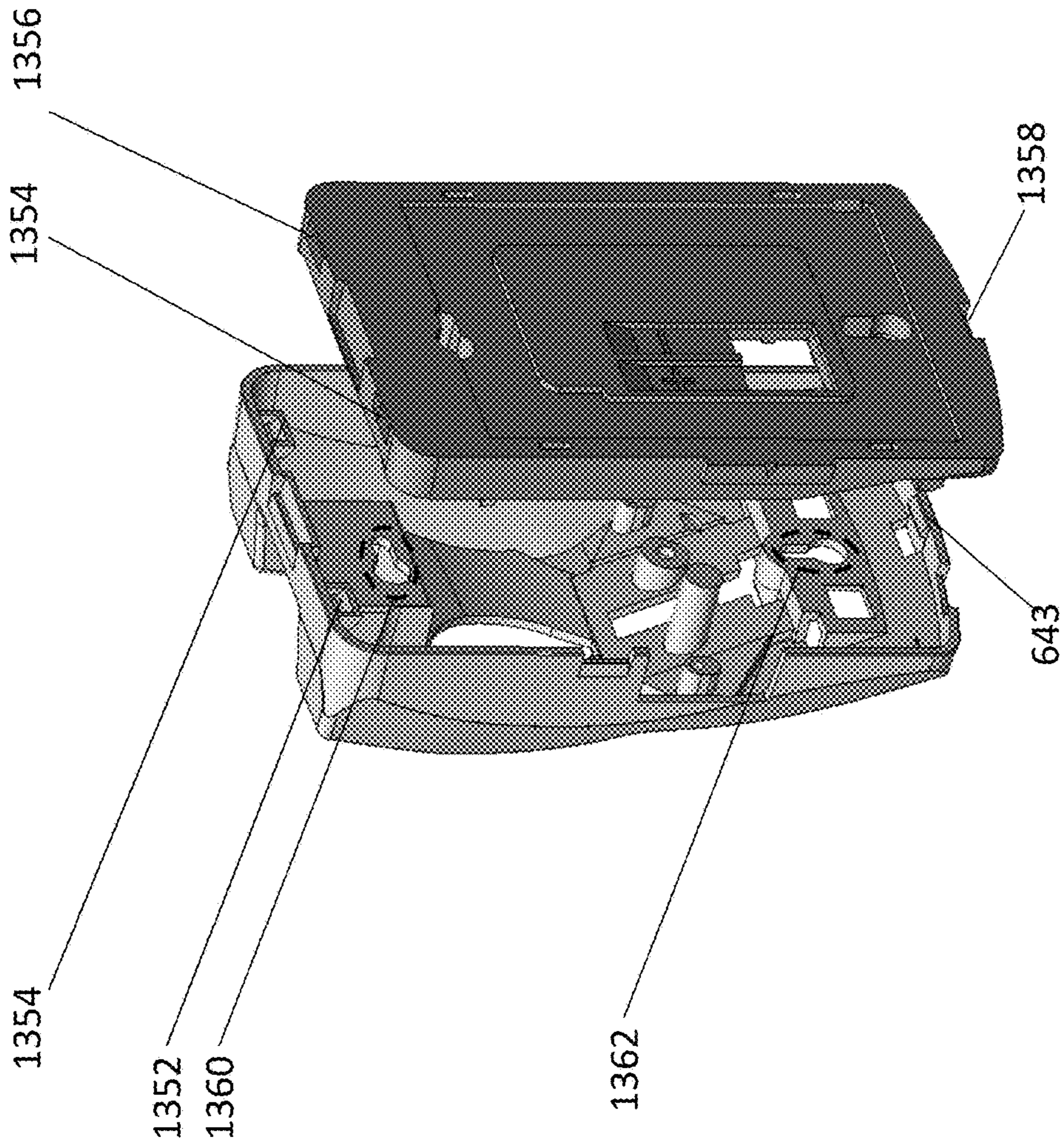


Fig. 13F

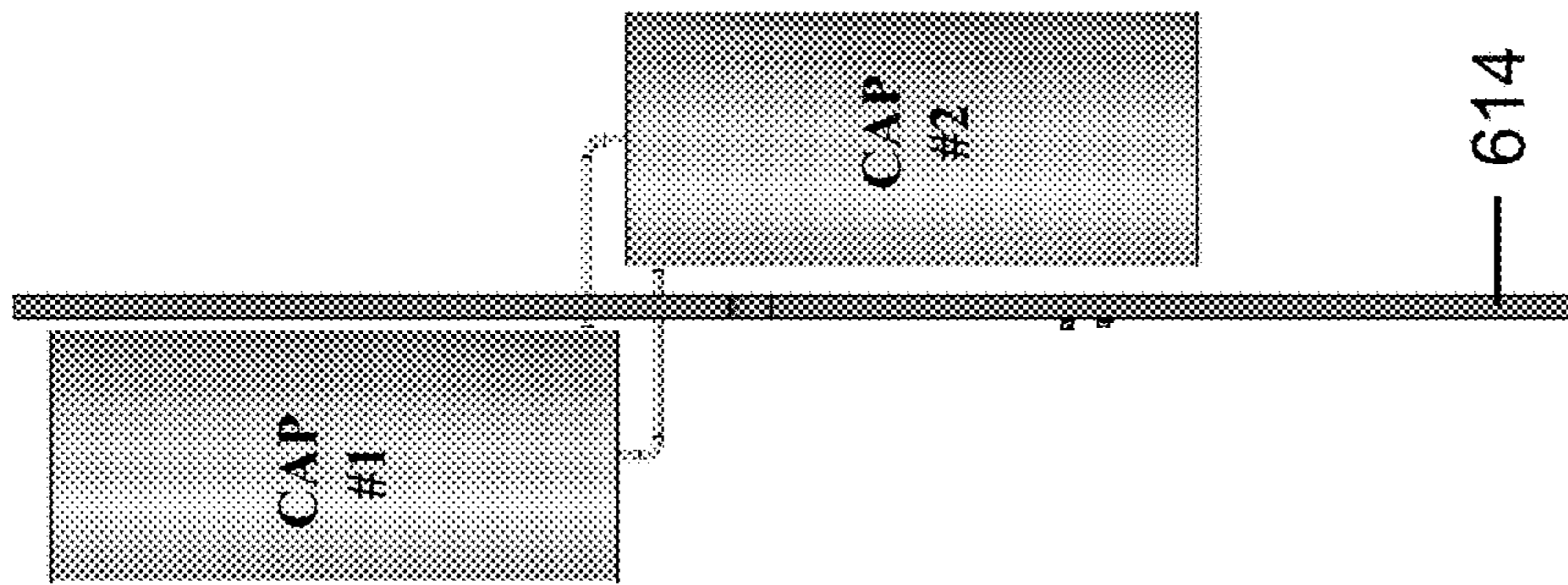


Fig. 14A



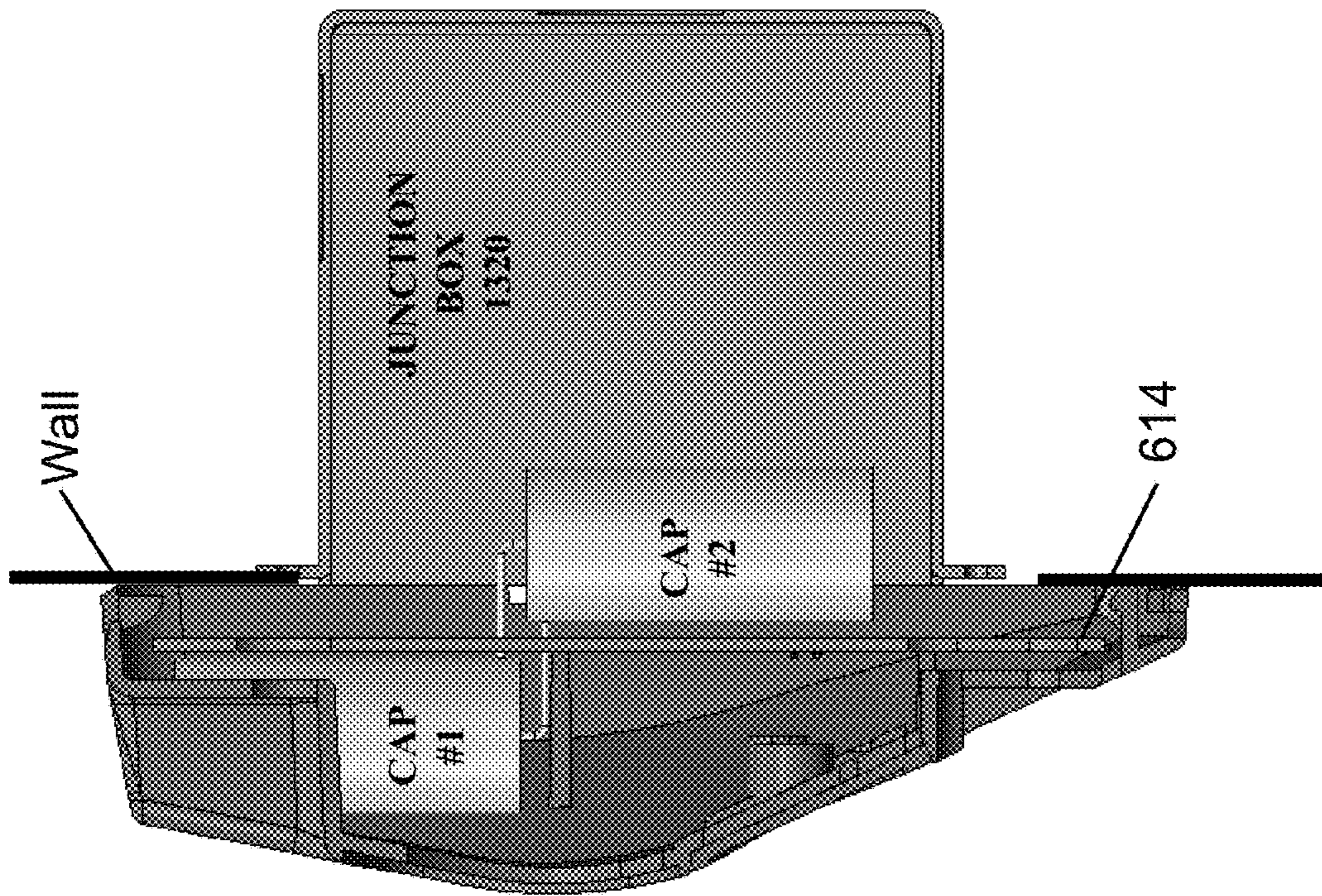


Fig. 14B

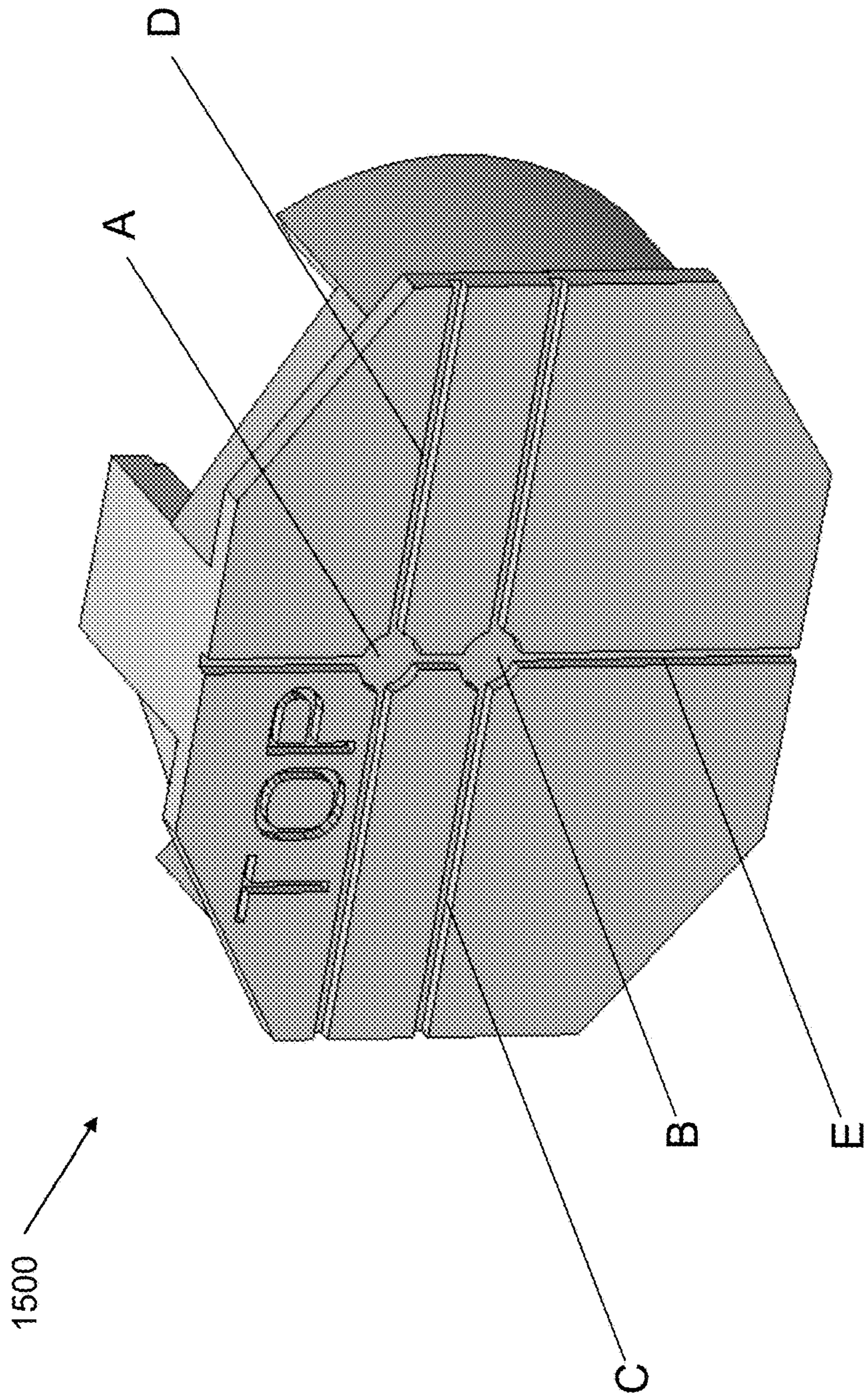


Fig. 15A



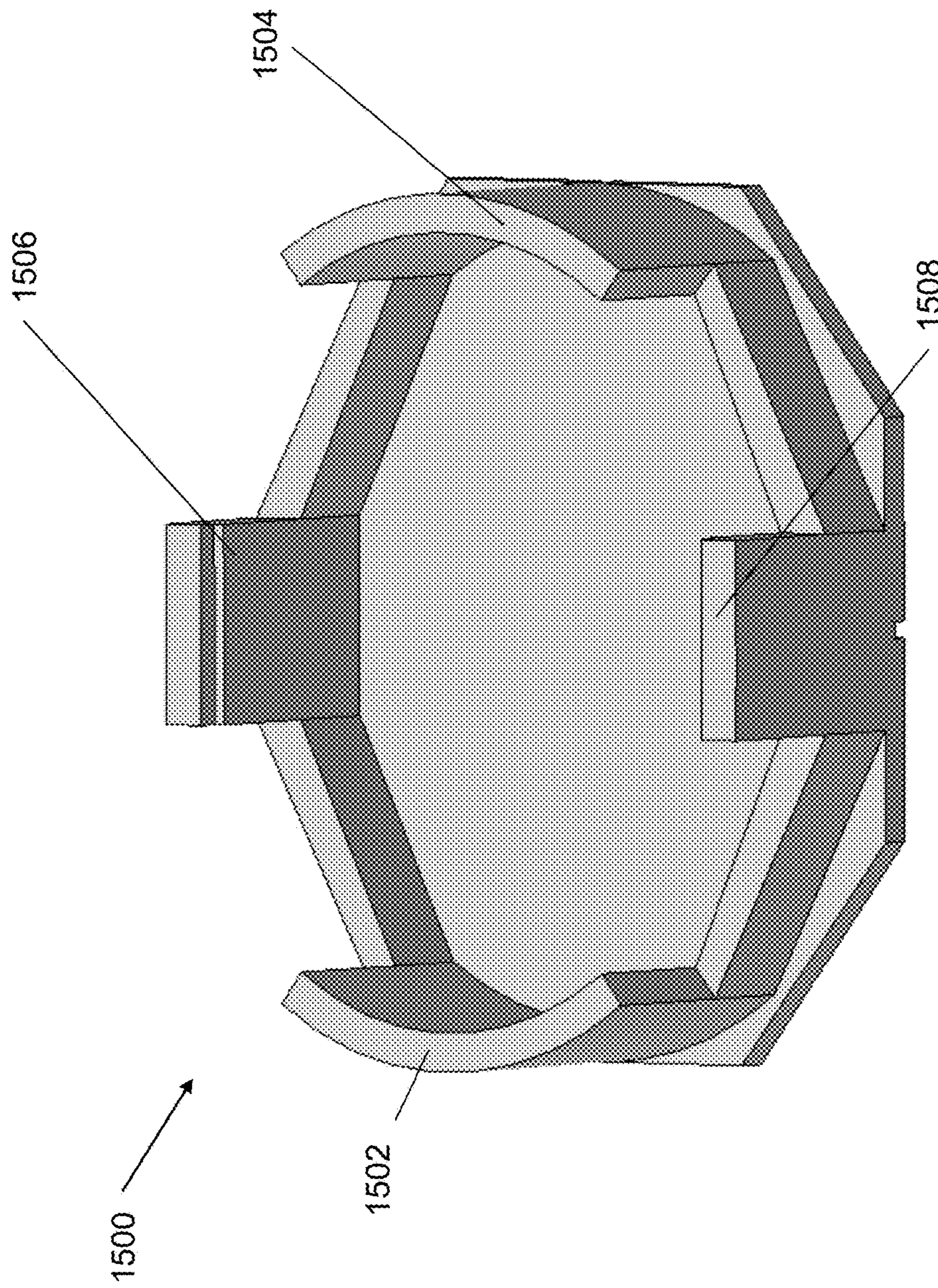


Fig. 15B

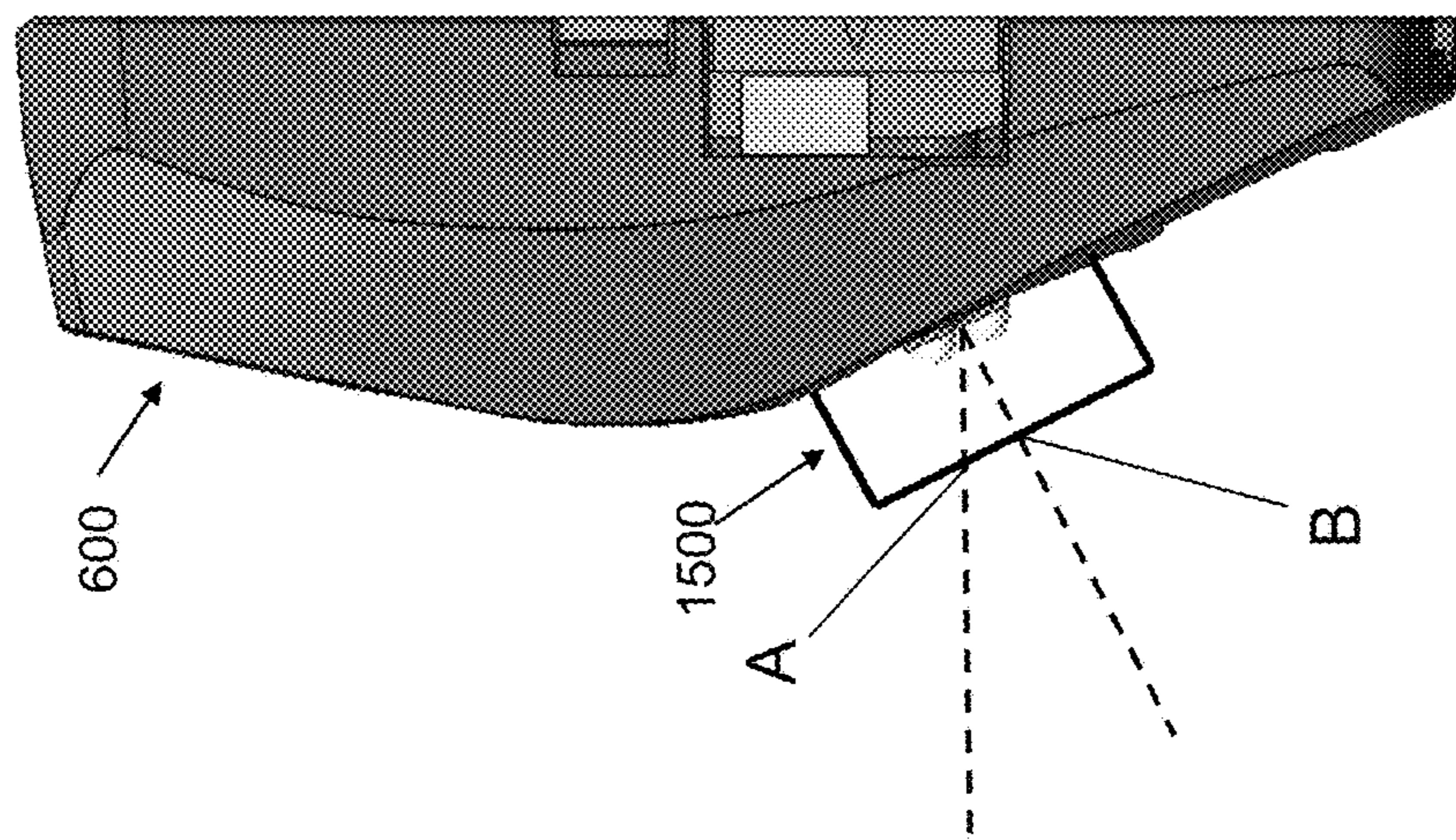


Fig. 15C



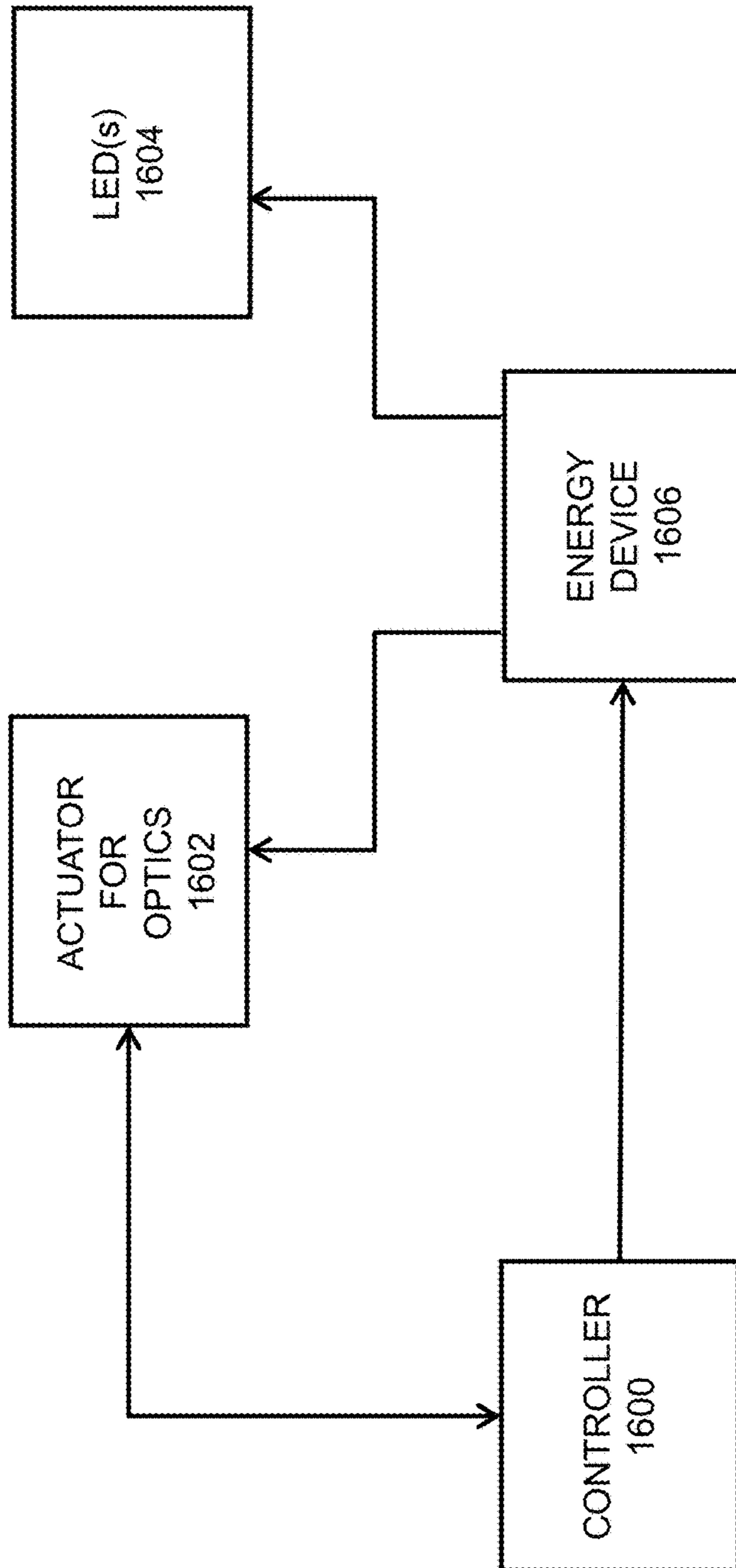
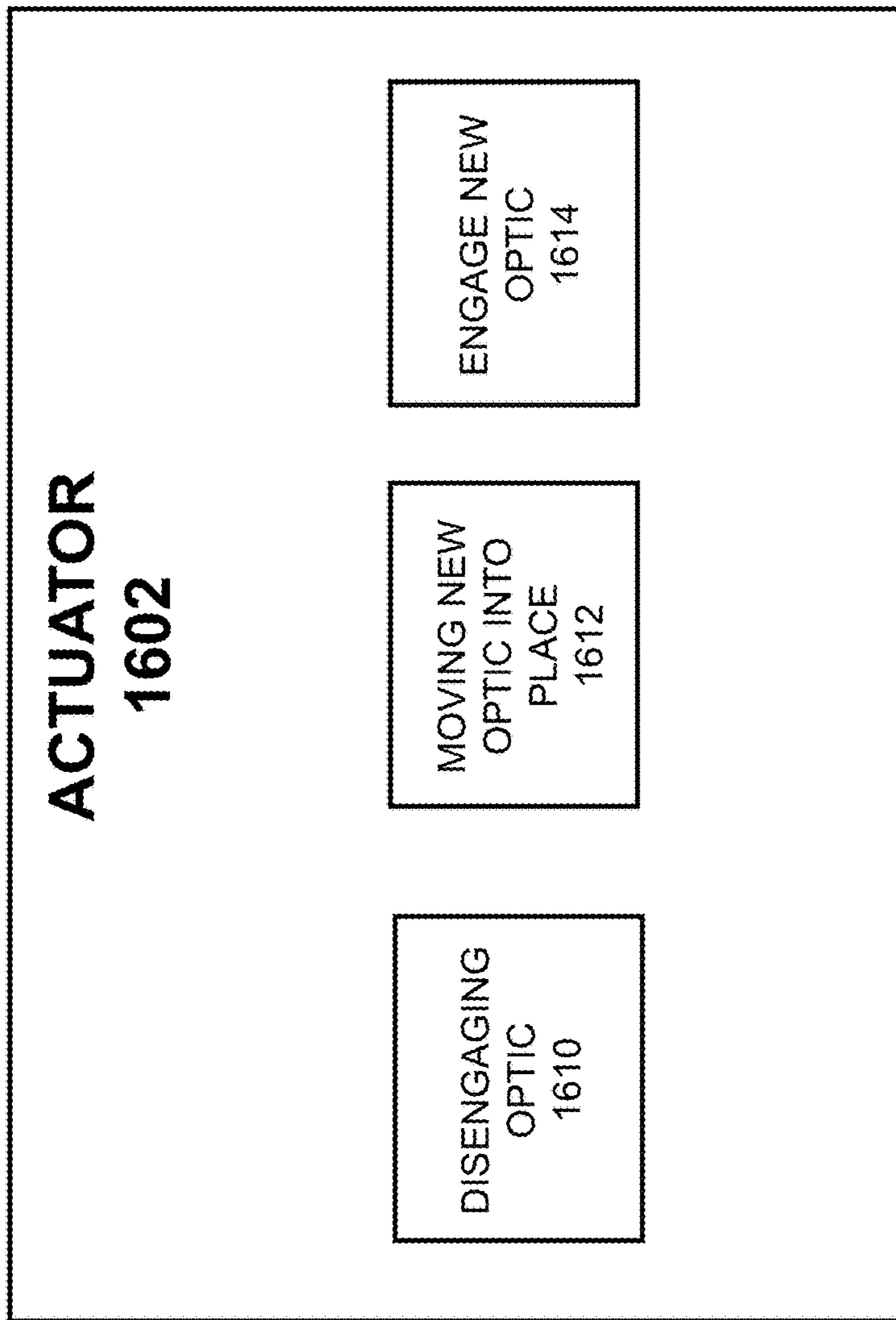


Fig. 16A



**Fig. 16B**



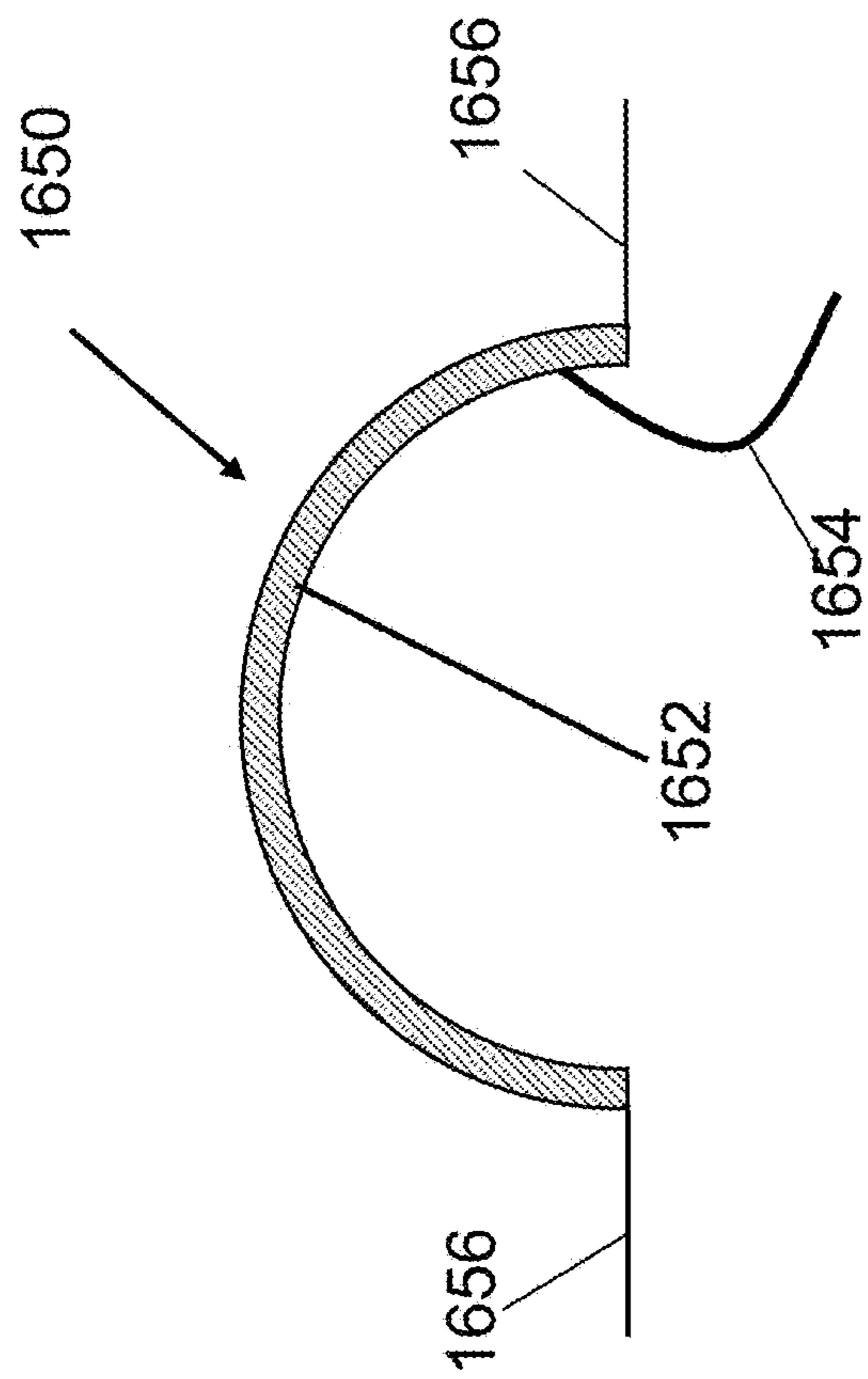


Fig. 16C

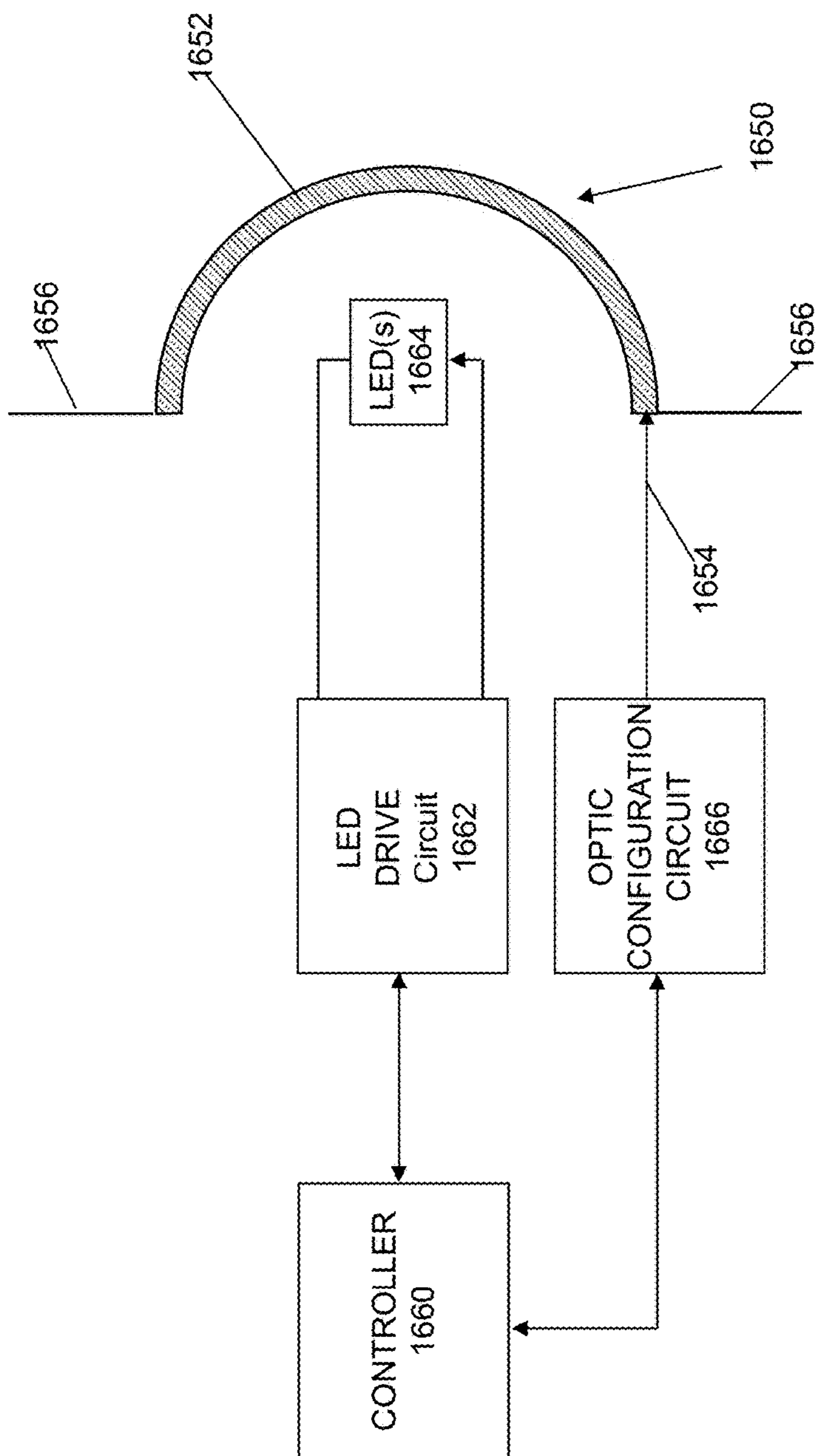
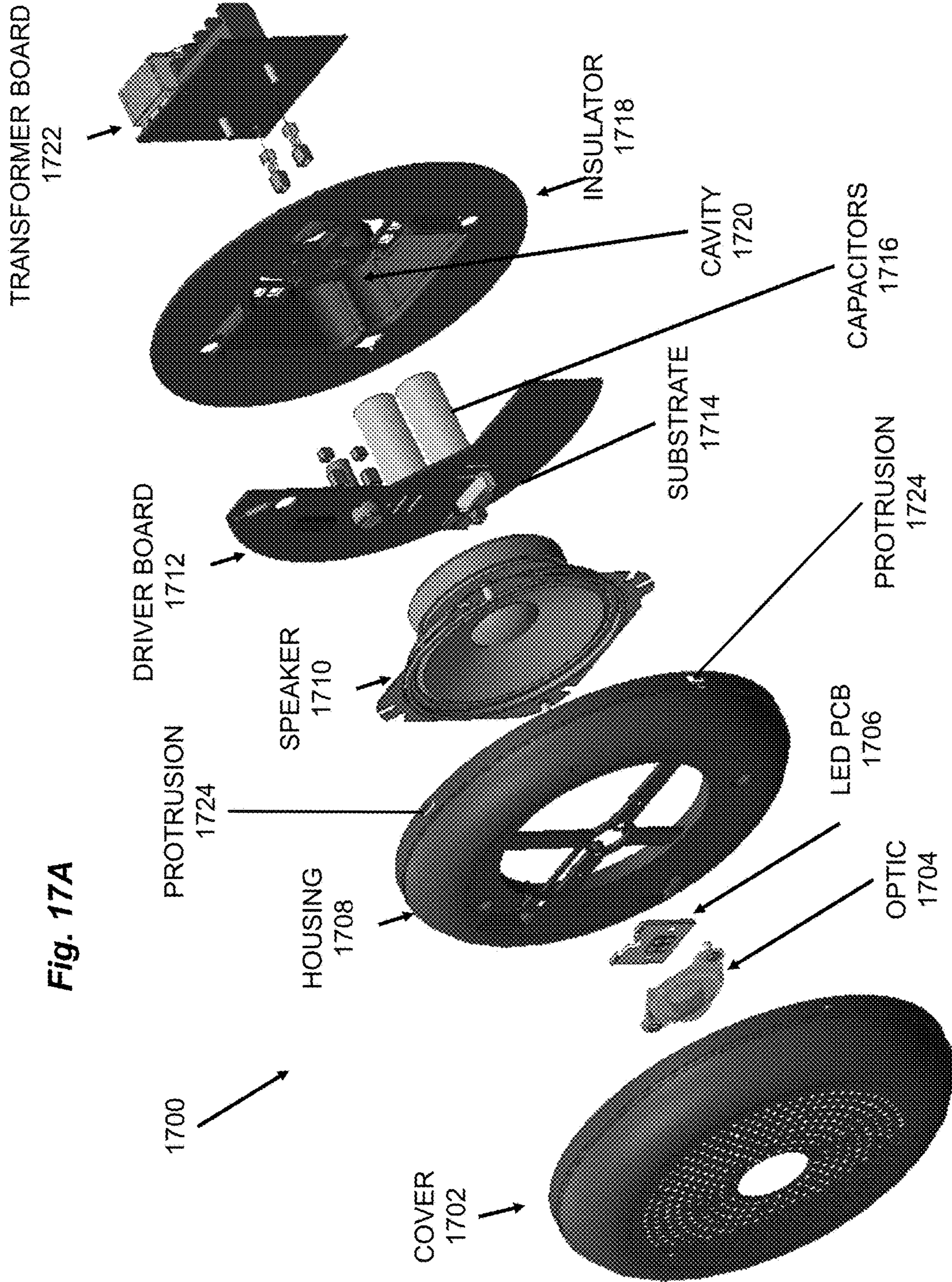
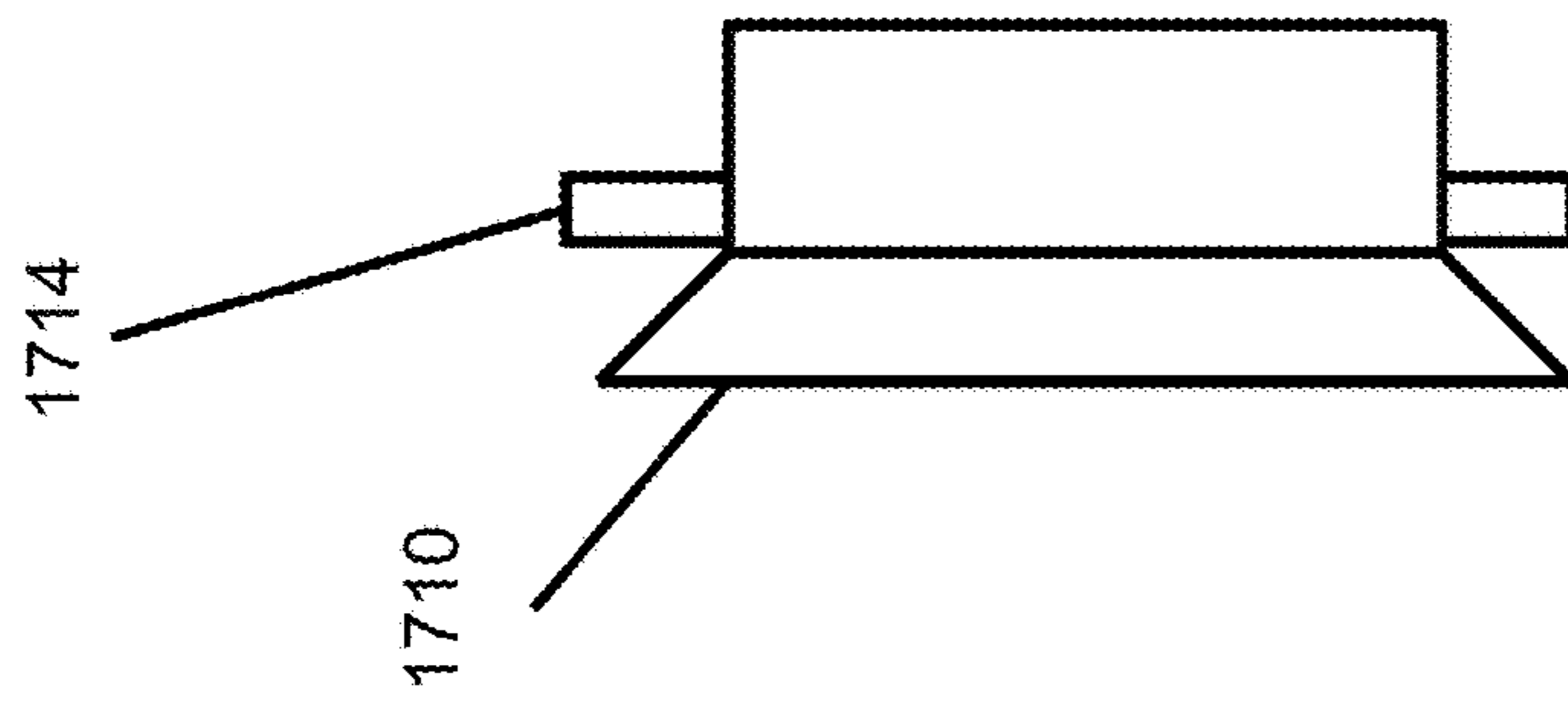


Fig. 16D







*Fig. 17B*



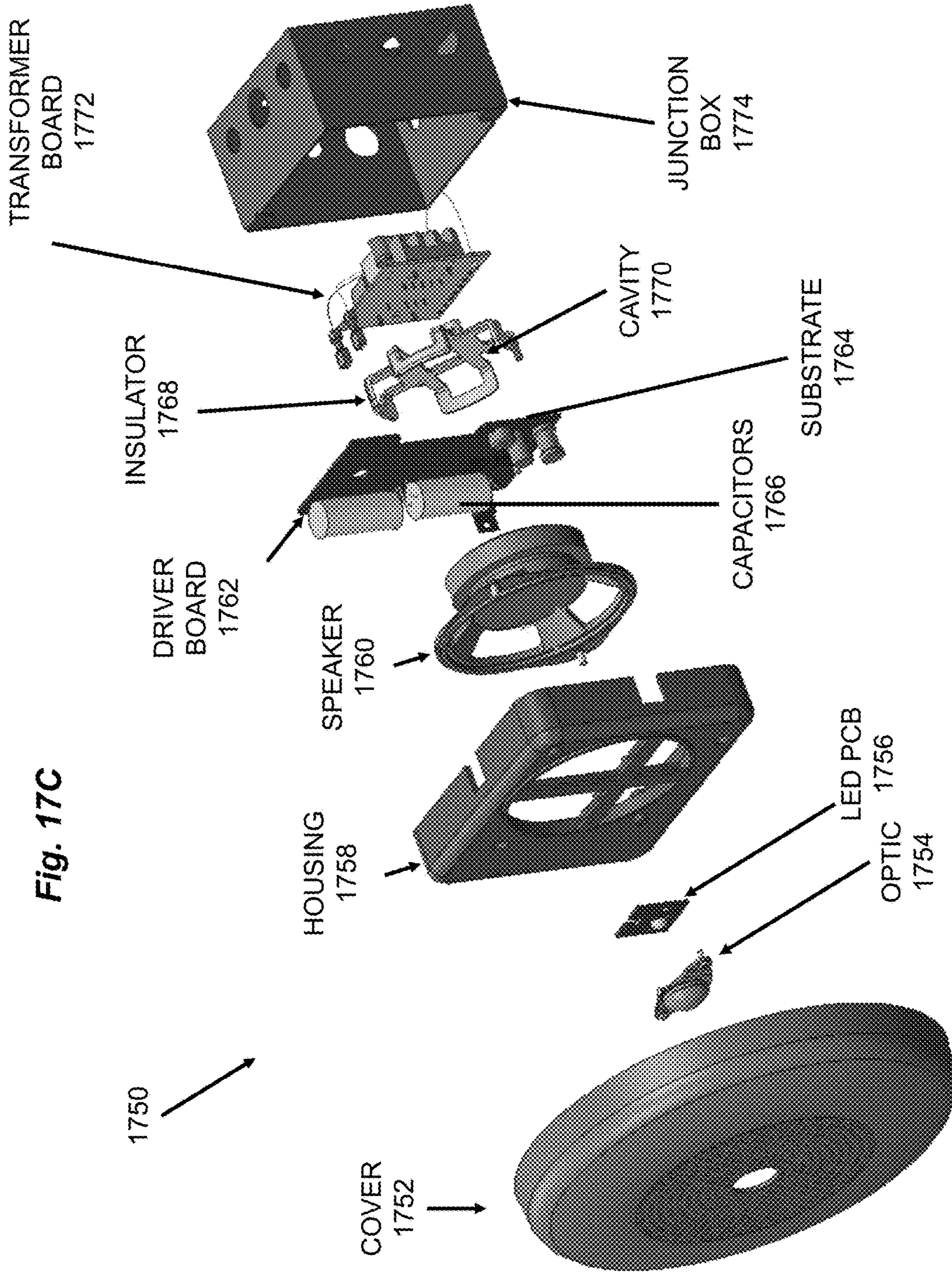


Fig. 17C



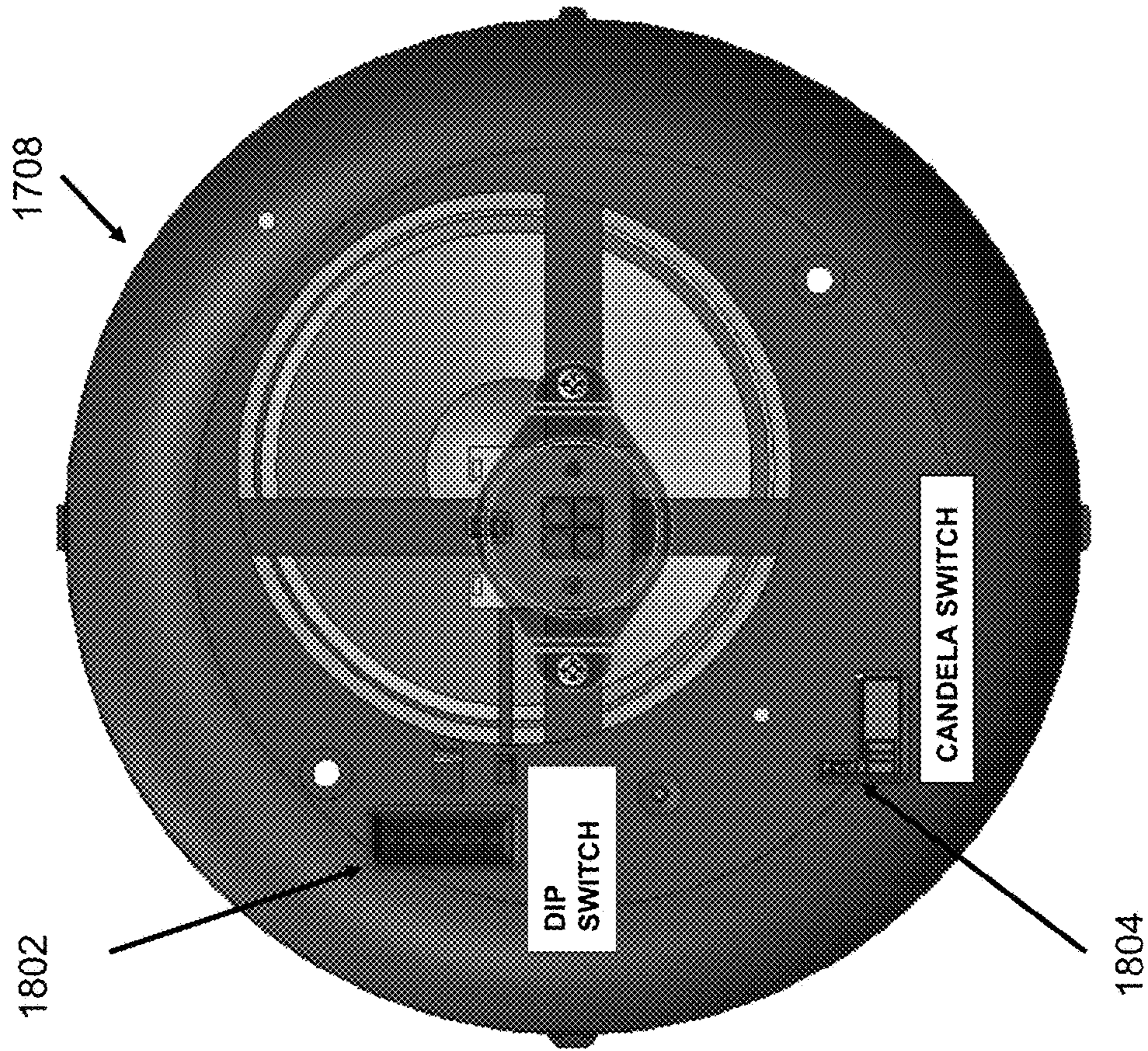


Fig. 18A

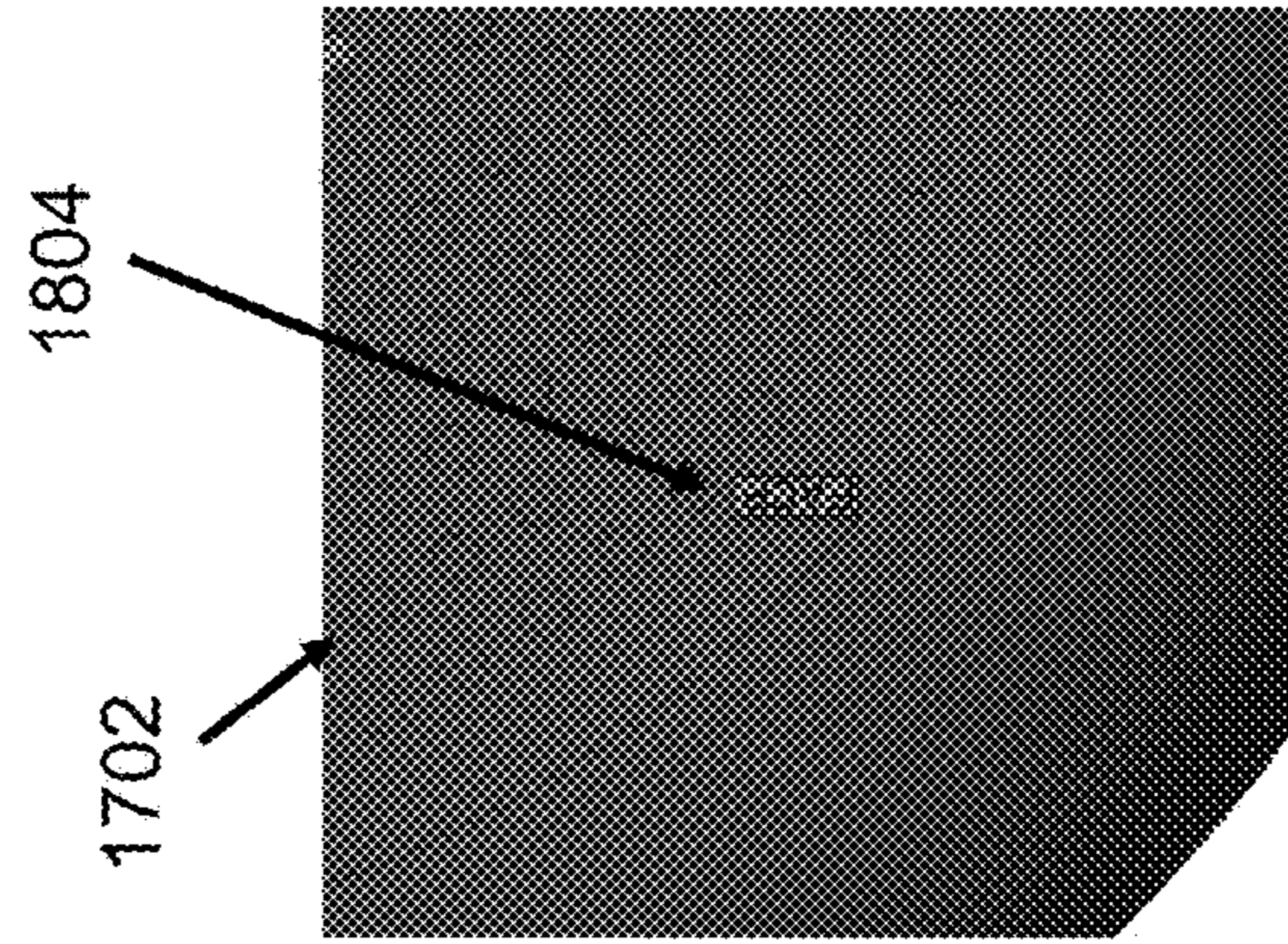


Fig. 18B



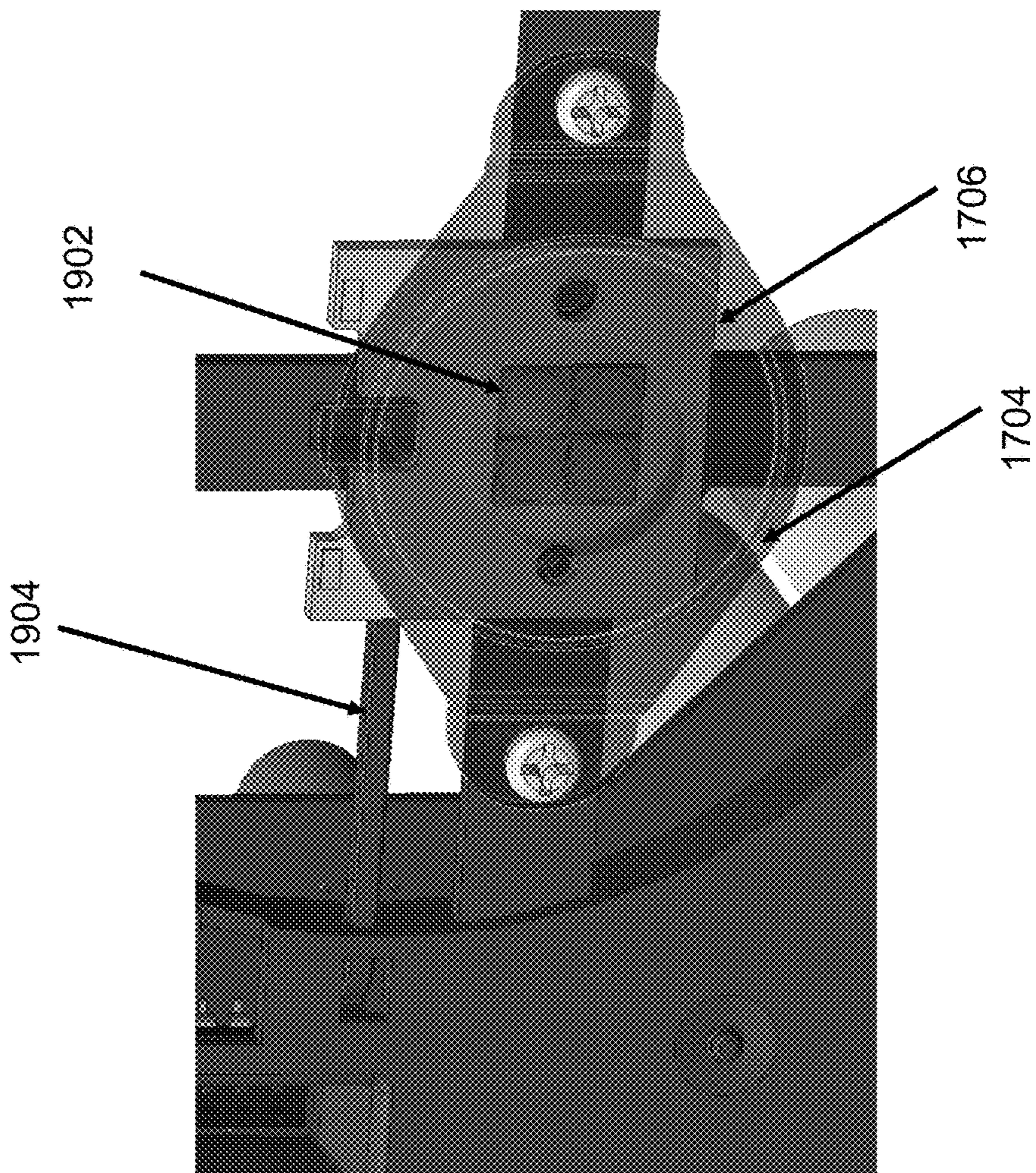


Fig. 19A

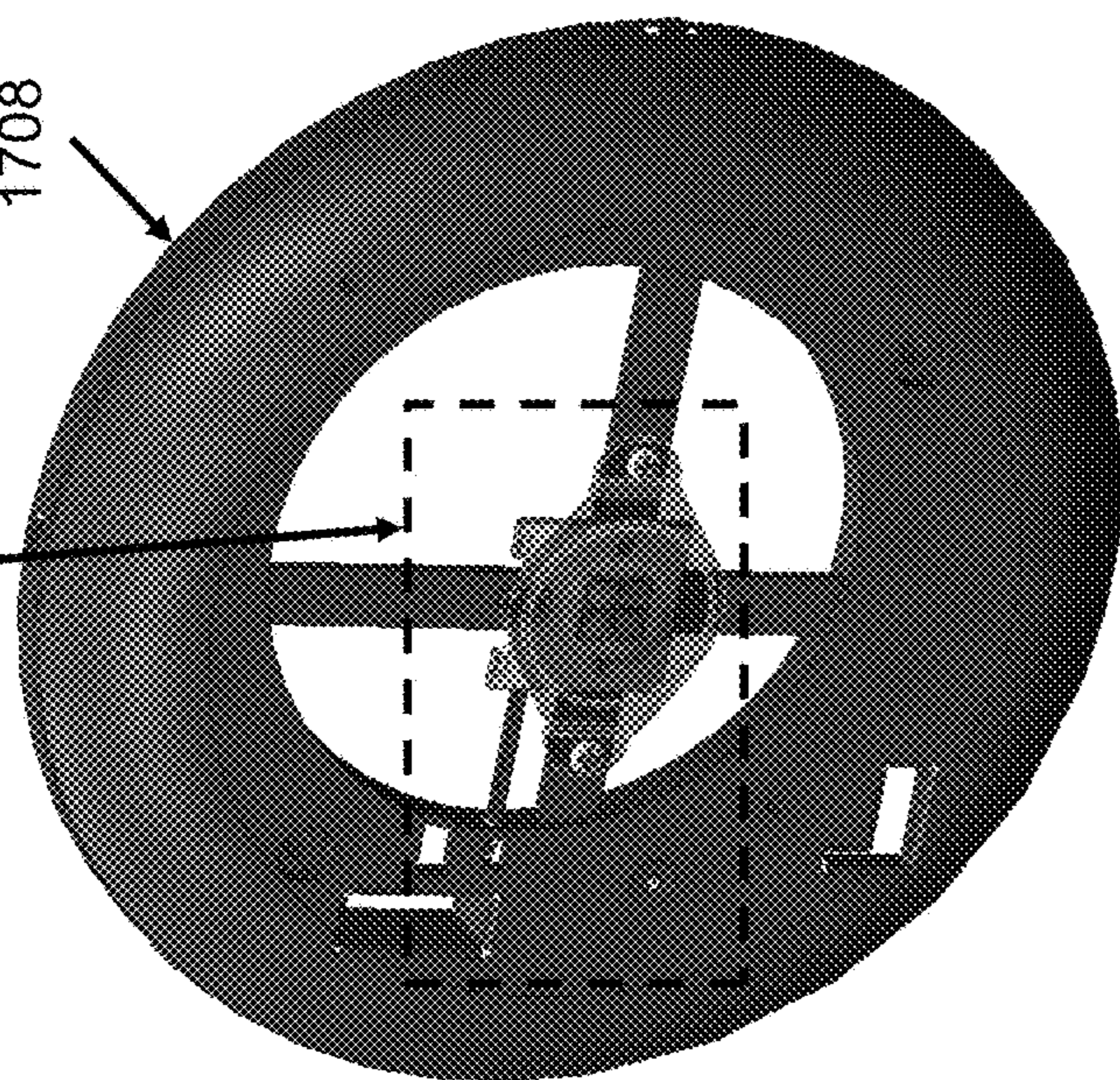


Fig. 19B



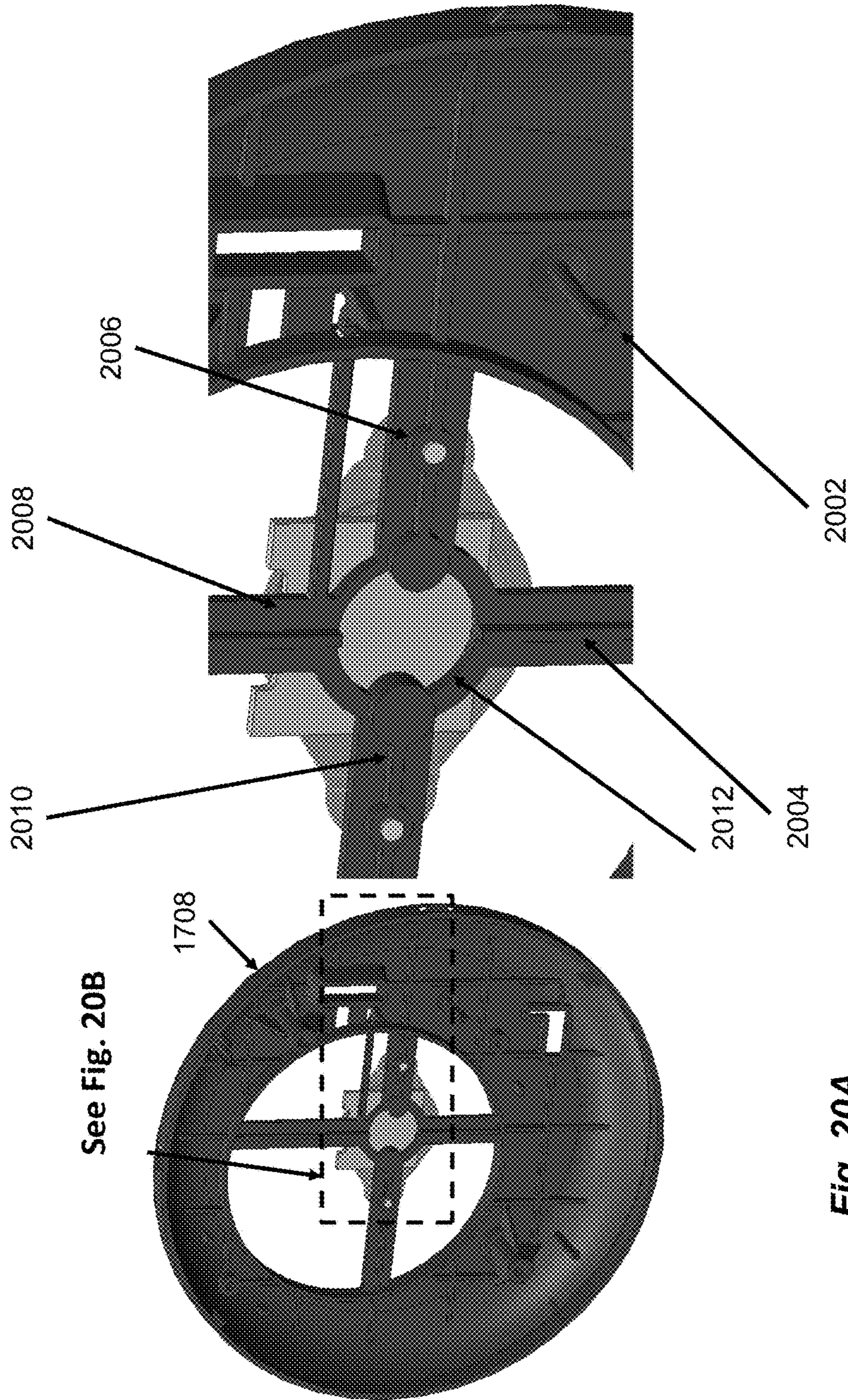


Fig. 20A

Fig. 20B



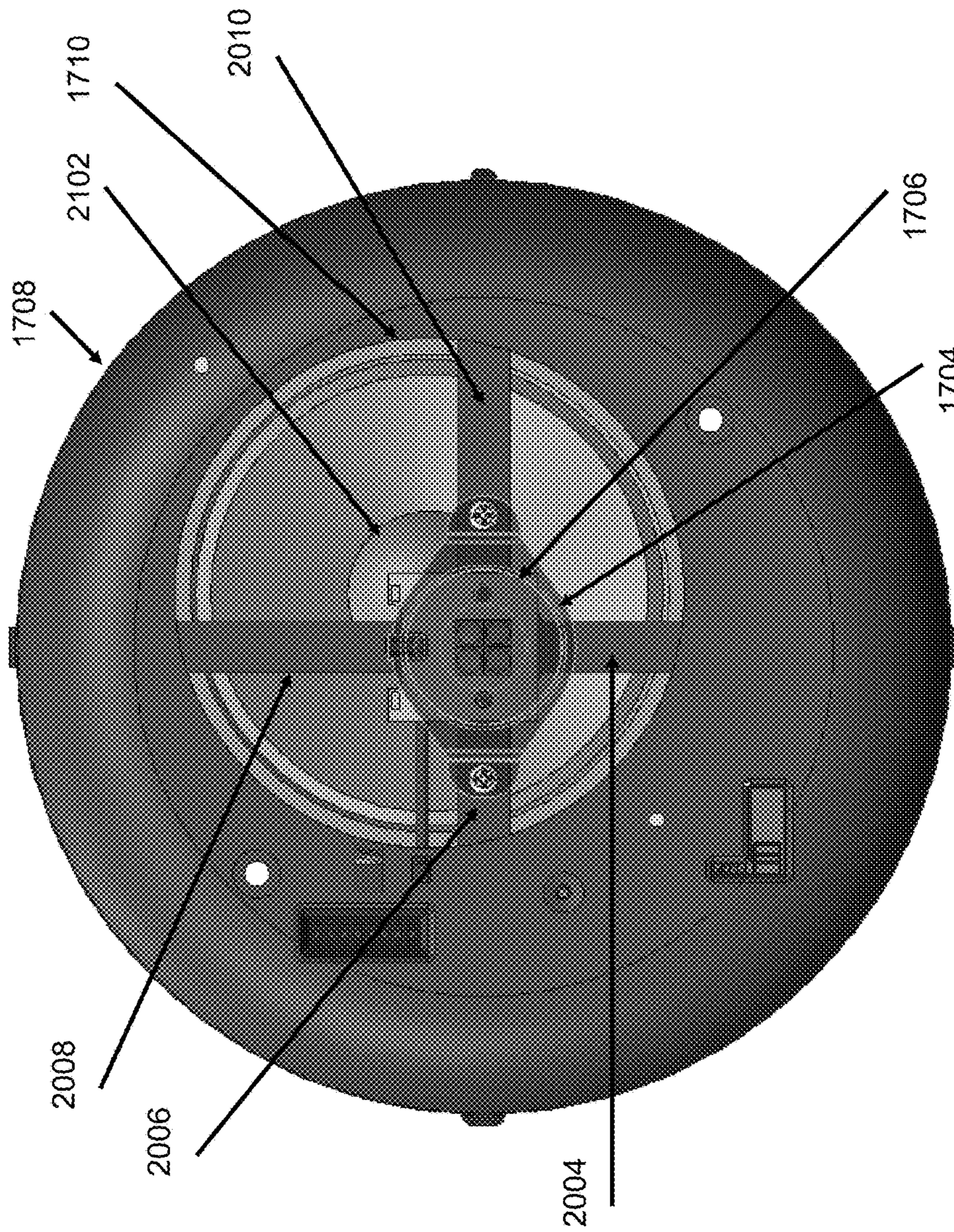


Fig. 21A



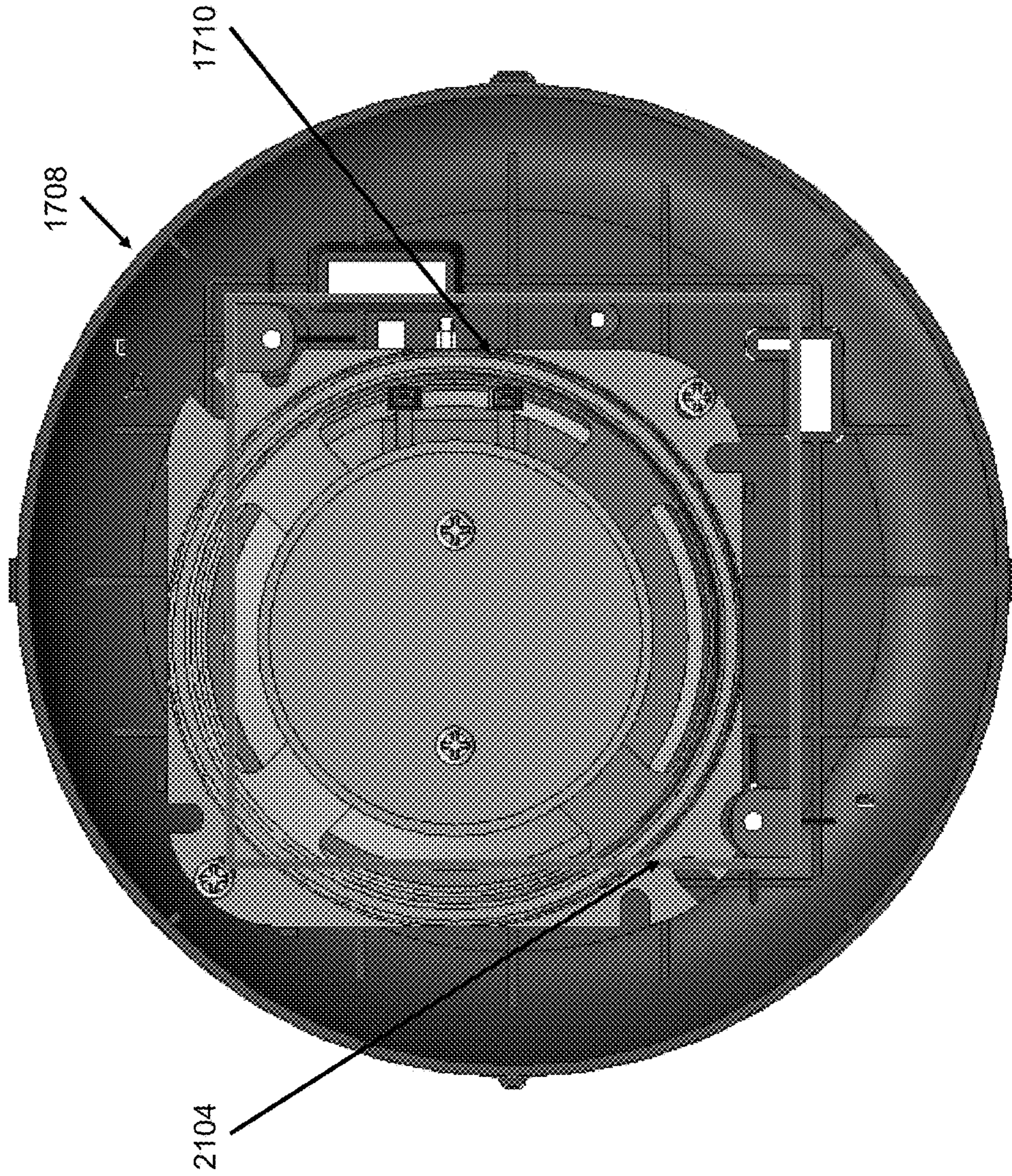


Fig. 21B



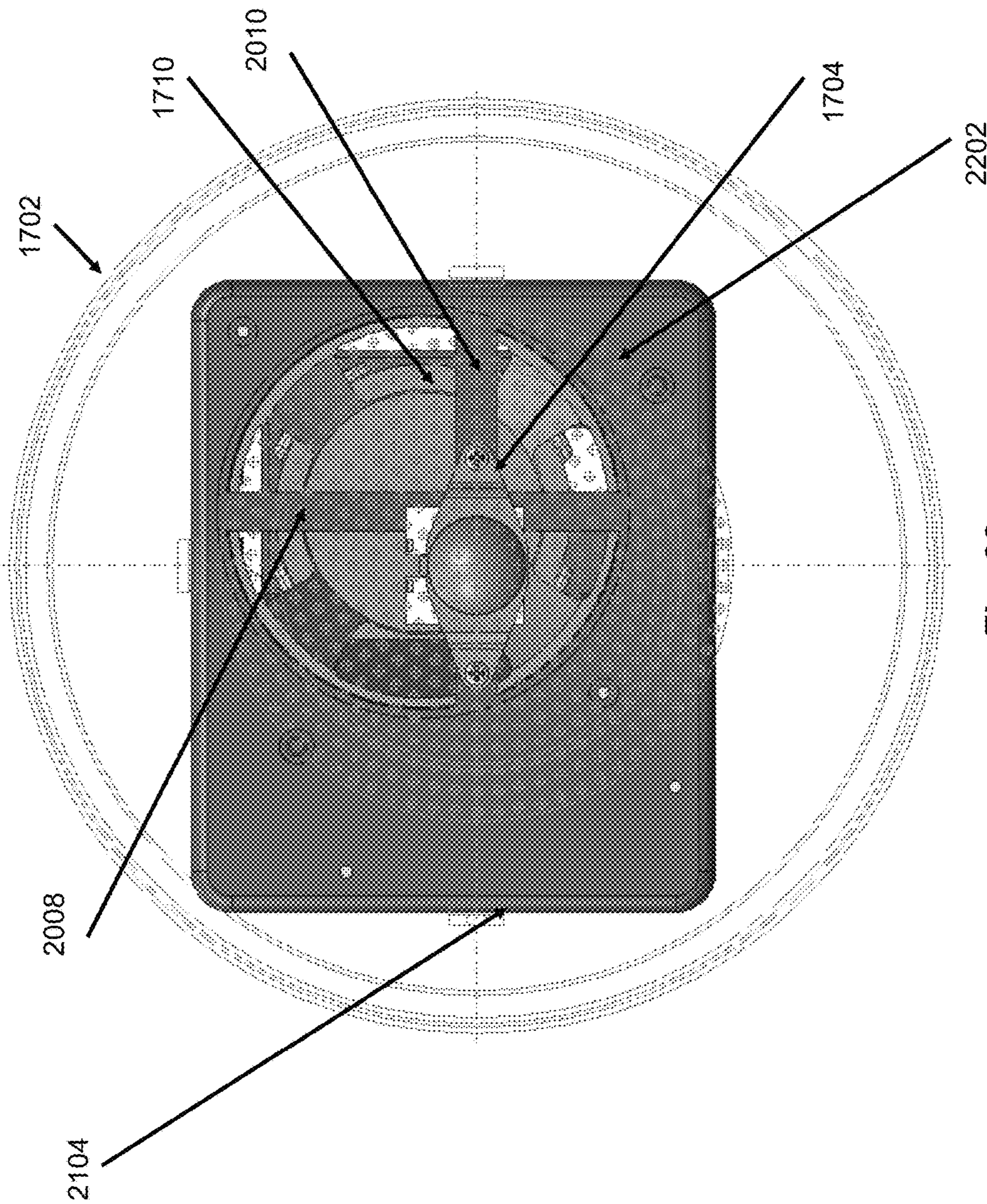


Fig. 22



**ADAPTER BRACKET FOR NOTIFICATION  
APPLIANCE**

**Matter enclosed in heavy brackets [ ] appears in the original patent but forms no part of this reissue specification; matter printed in italics indicates the additions made by reissue; a claim printed with strikethrough indicates that the claim was canceled, disclaimed, or held invalid by a prior post-patent action or proceeding.**

**[REFERENCE]CROSS-REFERENCE TO  
RELATED [APPLICATION] APPLICATIONS**

This application is a reissue application of U.S. Pat. No. 10,121,343, issued Nov. 6, 2018, which claims the benefit of U.S. Provisional Application No. 62/031,030, filed on Jul. 30, 2014, the entirety of which is incorporated by reference herein.

TECHNICAL FIELD

This application generally relates to notification appliances for a fire alarm system, and more specifically to an LED strobe notification appliance in a fire alarm system.

BACKGROUND

Fire alarm devices such as audible horns (audible/visible or A/V), loudspeakers (speaker/visible or S/V) and visible strobes (visible only or V/O), are referred to as "notification appliances." Typically, a fire alarm control panel (FACP) drives these devices over one or more "notification appliance circuits" (NACs). The strobes are used, for example, as an alert for the hearing-impaired, or for those in a high noise environment.

One type of strobe uses a flash tube (also called a flash lamp). Typically, the flash tube is an electric glow discharge lamp designed to produce extremely intense, incoherent, full-spectrum white light for very short durations. Flash tubes are made of a length of glass tubing with electrodes at either end and are filled with a gas that, when triggered, ionizes and conducts a high voltage pulse to produce the light. Xenon is an example of the gas that can fill the flash tube, with a Xenon flash tube producing a high-intensity light (such as hundreds of thousands of lumens) for a very short duration pulse (such as hundreds of milliseconds). Xenon flash tubes use a high voltage storage element, such as an electrolytic capacitor, that can be charged several hundred volts to provide energy for the flash. Xenon flash tubes also use a trigger voltage that is in the several thousand volt range to start the gas discharge.

The lifetime of the flash tube can depend on both the energy level used for the lamp in proportion to its discharge energy, and on the pulse duration of the lamp. Failures can be catastrophic or can be gradual, reducing the performance of the lamp below a usable rating.

Another type of strobe is Light Emitting Diode (LED)-based. An LED-based strobe includes an LED that is high power, and greater than typical display LEDs. However, even with a high power LED, the LED-based strobe cannot generate light at as high of an intensity as a Xenon-based strobe. Instead, LED-based strobes generate a lower intensity light (such as hundreds of lumens) for a longer period of time (such as tens to hundreds of milliseconds). In this way, the LED-based strobes can generate a comparable amount of light energy, as measured in candela, as a Xenon-

based strobe. In contrast to flash-tube based strobes, LED-based strobes typically have a longer usable lifetime.

SUMMARY

An adapter bracket for use in combination with an appliance is disclosed. In one aspect, an adapter bracket for use in combination with a notification appliance is disclosed. The adapter bracket is configured to connect the notification appliance to a first type of junction box, with the notification appliance comprising a first hole and a second hole configured to attach the notification appliance to a second type of junction box, the first type of junction box including a screw receptacle positioned differently than a screw receptacle for the second type of junction box. The adapter bracket including: a first connector comprising a hole configured to receive a screw screwed into the first hole of the notification appliance; a second connector configured to engage the second hole of the notification appliance; and a hole configured to mate with the screw receptacle of the first type of junction box.

Other systems, methods, features and advantages will be, or will become, apparent to one with skill in the art upon examination of the following figures and detailed description. It is intended that all such additional systems, methods, features and advantages be included within this description, be within the scope of the invention, and be protected by the following claims.

BRIEF DESCRIPTION OF THE DRAWINGS

FIG. 1 is a schematic diagram illustrating a fire alarm system.

FIG. 2 is a schematic diagram of the system of FIG. 1, further illustrating details of a system controller and a strobe device.

FIG. 3 illustrates an expanded block diagram of the strobe device (including strobe element and associated circuitry) illustrated in FIG. 2.

FIGS. 4A-D illustrate various requirements for wall mounted strobe devices.

FIGS. 5A-B illustrate various requirements for ceiling mounted strobe devices.

FIG. 6A is an exploded view of various parts of the LED notification device.

FIG. 6B is a back view of LED notification device.

FIGS. 6C-E illustrate side views of a wall mounted notification device in FIG. 6A, with FIG. 6C illustrating the notification device without the optic attached, FIG. 6D illustrating the notification device with the optic attached, and FIG. 6E illustrating an expanded view of FIG. 6D.

FIG. 6F illustrates a cross-section view of the optic as installed in the LED notification device of FIG. 6A.

FIG. 6G illustrates a front view of the optic.

FIG. 6H illustrates a bottom view of the optic.

FIG. 6I illustrates a front perspective view of the optic.

FIG. 6J illustrates the LED printed circuit board (PCB) and parts of the optic.

FIG. 7A illustrates one example block diagram of an optic and multiple light generating devices, such as strobe LED and communications LED.

FIG. 7B illustrates another example block diagram of optic, strobe LED and communications LED, and light pipe.

FIG. 8A illustrates one example block diagram of an optic, strobe LED and sensor.

FIG. 8B illustrates another example block diagram of optic, strobe LED, sensor, and light pipe.



FIG. 8C is a cross-sectional view illustrating the optic, the light pipe, the communications LED and sensor.

FIG. 9A illustrates an underside of the front housing of the notification device, illustrated in FIG. 6A.

FIGS. 9B and 9C illustrate different views of wire connecting mechanism on the back cover of the notification device, illustrated in FIG. 6A.

FIG. 9D illustrates the back cover of the notification device, illustrated in FIG. 6A, with wire connecting mechanism removed.

FIG. 10A illustrates a part of an underside of the front housing illustrated in FIG. 6A.

FIG. 10B illustrates a part of the main PCB illustrated in FIG. 6A.

FIG. 10C illustrates an underside of the escutcheon with a gasket.

FIG. 10D illustrates the sealing of the gasket on the escutcheon with the flange of the optic.

FIG. 10E illustrates an underside of the escutcheon without a gasket.

FIG. 11A illustrates a perspective view of the light pipe.

FIG. 11B illustrates light pipe seated in hole of front housing illustrated in FIG. 6A.

FIG. 12A is an exploded view of the adapter bracket and electrical junction box.

FIG. 12B is a view of the adapter bracket and electrical junction box abutting one another.

FIGS. 13A-E illustrates the notification device without the escutcheon, which may include front housing, optic, LED PCB, input devices, speaker, and keyhole openings, connected to a junction box, with FIG. 13A illustrating the front view, FIG. 13B illustrating the side view, FIG. 13C illustrating the back view, FIG. 13D illustrating the front perspective view, and FIG. 13E illustrating the back perspective view.

FIG. 13F illustrates the connection of the front housing 610 to the back cover 616.

FIG. 14A illustrates a side view of the LED PCB.

FIG. 14B illustrates the notification device being connected to junction box.

FIG. 15A illustrates a front perspective view of optical alignment tool.

FIG. 15B illustrates a bottom perspective view of optical alignment tool.

FIG. 15C illustrates optical alignment tool as installed in the notification device illustrated in FIG. 6A.

FIG. 16A illustrates a block diagram configured to dynamically change the frequency range of the light output by mechanically changing optics.

FIG. 16B illustrates an expanded block diagram of actuator for optics illustrated in FIG. 16A.

FIG. 16C illustrates using an electrically alterable lens in order to configure the strobe to operate at one of the first wavelength band or the second wavelength band.

FIG. 16D illustrates the notification device using the electrically alterable optic depicted in FIG. 16C in order to configure the notification device to operate at one of the first wavelength band or the second wavelength band.

FIG. 17A illustrates an exploded view of one example of a notification device configured for ceiling mount.

FIG. 17B illustrates a side view of the speaker and the driver board installed in the notification device of FIG. 17A.

FIG. 17C illustrates an exploded view of another example of a notification device configured for ceiling mount.

FIG. 18A illustrates a front view of the notification device with the cover in FIG. 17A removed.

FIG. 18B illustrates a part of the notification device with the front cover in FIG. 17A.

FIG. 19A illustrates front view of the housing of the notification device in FIG. 17A.

FIG. 19B illustrates an expanded view of a portion of FIG. 19A.

FIG. 20A illustrates a back view of the housing of the notification device in FIG. 17A.

FIG. 20B illustrates an expanded view of a portion of FIG. 20A.

FIG. 21A illustrates a front view of the housing and the speaker of the notification device in FIG. 17A.

FIG. 21B illustrates a back view of the electrical junction box and the notification appliance of FIG. 17A, including the housing and the speaker of the notification device.

FIG. 22 illustrates the notification device of FIG. 17A with the cover attached and installed within the electrical junction box.

#### DETAILED DESCRIPTION

A system embodying one example of the present invention is illustrated in FIG. 1. The system includes one or more notification appliance circuits (NACs), e.g., networks 16, having alarm condition detectors D and alarm system notification device A. Alternatively, the detectors and notification devices may be on separate networks. A system controller (such as a fire alarm control panel (FACP)) 14 may monitor the detectors D.

The system controller 14 may monitor the alarm condition detectors D. When an alarm condition is sensed, the system controller 14 may signal the alarm to the appropriate notification appliances A through the one or more appliance circuits. Notification devices may include, for example, a visual alarm (such as a strobe), an audible alarm (such as a horn or a speaker), or a combination thereof.

Although not necessary for carrying out the invention, as shown, all of the notification devices in a network are coupled across a pair of power lines 18 and 20 that advantageously also carry communications between the system controller 14 and the detectors D and notification devices A.

The system controller 14 may comprise a fire alarm control panel and may use one or more commands to signal the alarm to the appropriate notification appliances A. Examples of commands issued for a system with addressable notification appliances are disclosed in U.S. Pat. No. 6,426,697, which is hereby incorporated by reference in its entirety. Alternatively, the communication line to the device may be separate from the power line. In still an alternative embodiment, the system may include non-addressable notification appliances. The communications channel may comprise, for example, a wireless link, a wired link or a fiber optic link.

Further, the system controller 14 may send one or more commands relating to diagnostics, status, or other non-alarm type events. For example the system controller 14 may send a command related to the identification, the configuration, and/or the status of the notification appliances A. Moreover, the notification appliances A may respond in kind.

FIG. 2 is a schematic diagram of a part of the system shown in FIG. 1, further illustrating details of the system controller 14 and one of the notification appliances. The system controller 14 includes a processor 36, a memory 38, a user interface 40, and a device interface 42. The processor 36 may comprise a microprocessor, a microcontroller, a digital signal processor, an application specific integrated circuit (ASIC), a field programmable gate array, a logical



digital circuit, or other now known or later developed logical processing capability. The processor 36 may work in combination with the memory 38 in order to monitor part or all of the fire alarm system, including one or more of the appliance circuits (such as one or more notification appliance circuits, one or more detector circuits, and/or one or more notification appliance/detector circuits). In addition, the memory may include one or more look-up tables (or other data structures) used for configuration.

User interface 40 may be used by an operator to control configuration and/or operation of the alarm condition detectors D and alarm system notification appliances A. And, device interface 42 may be an example of a communications interface, and may comprise the interface between the system controller 14 and the alarm condition detectors D and alarm system notification appliances A in the one or more appliance circuits.

FIG. 2 further depicts a strobe device 30 in greater detail. The strobe device 30 connects to the network 16 via a network interface (communication connection) 24. The strobe device 30 receives one or more commands from the system controller 14. The controller 26 processes the one or more commands, as discussed in more detail below. Although shown separately, the memory 32 may be integrated with the controller 26.

The strobe device 30 further includes LED strobe element and associated circuitry 44. In some embodiments, in addition to an LED-based strobe element, another output light source may be present. For example, an indicator 34, such as a flashing LED (separate from the LED strobe element and associated circuitry 44), may be used as a visual output, for example during diagnostic testing, on the strobe device 30. The indicator 34 may be activated, for example, upon command from the system controller 14, upon a local manual command such as a pushbutton (not shown). In this regard, the strobe device 30 may include one or more strobe LEDs (shown in FIG. 2 as LED strobe element and associated circuitry 44) and one or more communication LEDs (shown as indicator 34).

After the controller 26 determines to activate the LED strobe element, the controller 26 sends one or more control signals to LED strobe element and associated circuitry 44 in order to control the operation of the LED strobe element. One example of an LED-based strobe element is disclosed in U.S. Patent Application No. 2008/0272911, herein incorporated by reference in its entirety.

The strobe device 30 may optionally include candela selector 46 and configuration selector 48. Candela selector 46 may be an input device, such as a multi-position switch, on the strobe device 30. An example of the multi-position switch is disclosed in U.S. Pat. No. 7,456,585, incorporated by reference herein in its entirety. Examples of candela settings include 15, 30, 75, and 110. Configuration selector 48 may also be an input device to configure strobe device 30. Configuration selector 48 may comprise a multi-position switch and may input the address of the strobe device, may input the grouping of the strobe device (see for example, U.S. Published Application No. 2012/0154160, incorporated by reference herein), may configure the horn, etc. As discussed in more detail below, the configuration selector 48 may be located on a front side (such as shown in FIG. 13A) or a side of the strobe device 30 (sides of the strobe device are shown in FIGS. 6A-C). Optionally, the configuration selector may be positioned on a backside of the strobe device (the side that abuts the wall) or may be positioned on a top side of the strobe device.

One, some, or all of the notification devices A may comprise a strobe device, a strobe/horn device, a strobe/speaker device, or the like. As discussed herein, a strobe device may include strobe functionality (such as LED strobe functionality) or may include strobe functionality and additional notification functionality (such as horn or speaker functionality). The strobe device may be an addressable strobe notification device (e.g., the strobe notification device has a uniquely assigned address) or a non-addressable strobe notification device.

FIG. 3 illustrates an expanded block diagram of the strobe device illustrated in FIG. 2. The network interface 24 includes a strobe power control input 60 that receives the command to activate the strobe device 30 and receives power to power the strobe device 30. The strobe power control input 60 sends the received command to the LED flash circuit controller 26. The LED flash circuit controller 26 includes LED control drive 58 and flash timing control 62, which controls the timing of the flashes of the LED strobe element. The flash timing control 62 may receive as an input the candela selector 46, which may input the candela setting. Based on the candela setting, the flash timing control 62 may control the strobe element and associated circuitry 44 to generate an output with the desired candela setting. One example of the strobe element and associated circuitry 44 is illustrated in FIG. 3, which includes an LED flash circuit 56, a power conversion circuit 52, and energy storage circuit 54. The power conversion circuit 52 provides the proper regulated voltage to the energy storage circuit 54. An example of the power conversion circuit 52 may be a voltage regulator (such as a DC-DC converter or current regulator), and an example of the energy storage circuit 54 may be a capacitor. The flash timing control circuit 62 generates an output to the LED control drive 58. Based on the output, the LED control drive 58 provides the proper current to the LED flash circuit 56 in order for the LED flash circuit 56 to generate the desired intensity. Further, the flash timing control 62 generates an output to LED flash circuit 56, which dictates the duration of the output of the LED flash circuit 56. Thus, the flash timing control 62 may control both the intensity and the duration in order to generate an output with the requested candela rating (as dictated by candela selector 50) and at the fixed pulse width. The flash timing control 62 further may communicate with the power conversion circuit 52 in order for the power conversion circuit 52 to provide the proper voltage to energy storage circuit 54.

Thus, upon receiving the activation signal (such as in the form of a command received by network interface 24), the power conversion circuit 52 may charge up the storage capacitor in energy storage circuit 54. Alternatively, the power conversion circuit 54 may charge up the storage capacitor in energy storage circuit 54 prior to receipt of the activation signal. Regardless, the strobe element may be activated in response to receipt of the activation signal. When the strobe element is activated, the flash timing control 62 may initialize the power conversion circuit 52 to charge the energy storage circuit 54, as well as configure the LED control drive 58. This may be applicable to a notification appliance that is addressable. In a non-addressable notification appliance, the flash timing control may be set directly (such as locally on the non-addressable notification appliance). FIG. 3 further includes the configuration selector 48. The LED flash circuit controller 26 may poll the configuration selector 48 in order to determine one or more settings of the configuration selector 48. As discussed above,



the configuration selector **48** may be configured to input a unique address, a grouping, or the like.

Various standards may be promulgated for strobe devices. One such standard is Underwriting Laboratories (UL) Specification 1971, which relates to requirements that cover emergency-signaling devices for the hearing impaired. FIGS. 4A-D illustrate various requirements for wall mounted strobe devices. For example, FIG. 4A illustrates the required minimum percentage in US Specification 1971 for horizontal dispersion for a wall mounted strobe. As shown, on axis (0°) requires a 100% rating output. As the angle increases off-axis, the percent rating decreases. FIG. 4B illustrates the light output with regard to horizontal dispersion and the various angles depicted in FIG. 4A. FIG. 4C illustrates the required minimum percentage in US Specification 1971 for vertical dispersion for a wall mounted strobe. FIG. 4D illustrates the various angles listed in the chart depicted in FIG. 4C.

FIGS. 5A-B illustrate various requirements for ceiling mounted strobe devices. FIG. 5A illustrates the required minimum percentage in US Specification 1971 for vertical dispersion in both X and Y planes for a ceiling mounted strobe. FIG. 5B illustrates the light output with regard to vertical dispersion and the various angles depicted in FIG. 5A.

FIG. 6A is an exploded view of various parts of the LED notification device **600**. The LED notification device **600** may be configured for mounting to a wall, and may be configured to generate a strobe output. The notification device **600** includes an optic **604** that is attached to front housing **610** via one or more screws, bolts or fasteners **602**. When optic **604** is attached to front housing **610**, the LED printed circuit board (PCB) **608** is sandwiched between the optic **604** and the front housing **610**. As shown in FIG. 6A, LED PCB **608** includes a notch **606**, discussed in detail below with respect to FIG. 6J. Further, LED PCB **608** includes 2 LEDs. Different numbers of LEDs, such as 4 LEDs, are contemplated.

FIG. 6A further illustrates cover **641** that may sit over a movable switch **612**, which may be moved to one of a plurality of positions to indicate the candela setting for the strobe device **600**. Switch **612** is an example of candela selector **46** illustrated in FIG. 2. FIG. 6A also includes main PCB **614**, which is discussed in further detail in FIGS. 14A-B. Connector **620** is configured to electrically connect LED PCB **608** with main PCB **614**.

Main PCB **614** may comprise the driver board. As discussed in more detail below, the driver board may be configured to drive one or more electronics on main PCB **614** or on other boards. For example, main PCB **614** may include a speaker (such as speaker **1010** illustrated in FIG. 10A). Main PCB **614** may include electronics to drive speaker. As another example, main PCB **614** may drive one or more LEDs (such as LED(s) illustrated in LED PCB **608**).

As illustrated in the exploded view of FIG. 6A, main PCB **614** may be connected to back cover **616**. For example, main PCB **614** may be connected to back cover **616** via a snap-fit. More specifically, back cover **616** may include one or more structures used to engage main PCB **614**, such as one or more tabs and/or one or more snaps. In a more specific embodiment, back cover **616** includes tab **639**, so that a part of main PCB **614**, such as one side of main PCB **614**, may slot into tab **639**. Further, back cover **616** may include snaps **635**, **637**, which may snap onto the front of main PCB **614**. As another example, main PCB **614** may be connected to back cover **616** via one or more screws. Back cover **616**, in

turn, is configured to connect with a junction box, as discussed in more detail below.

In one embodiment, front housing **610** may likewise be connected to back cover **616**. Thus, the front cover **610** is connected directly to back cover **616** (instead of in a separate embodiment in which the front cover is indirectly connected to main PCB **614**, which is in turn connected to back cover **616**). Using the direct connection to the back cover **616**, the front housing **610** may be more securely fastened. Similar to main PCB **614**, front housing **610** may be connected to back cover in one of several ways, including via snap-fit or via one or more screws. For example, back cover may include an opening **633**, into which a tab on the front housing **610** may slot into. As another example, back cover **616** may include holes **629**, **631**, into which tabs on the front housing may fit into, as discussed in more detail below. In this regard, in one embodiment, the main PCB **614** and the front housing **610** may both be connected to the back cover **616** in a similar manner (e.g., via a snap fit). Alternatively, the main PCB **614** and the front housing **610** may be connected to the back cover **616** in different manners.

Though not illustrated in FIG. 6A, an escutcheon may be attached to front housing **610** (such as via a snap fit, discussed in more detail below). For example, front housing **610** may include snaps **627**, **628**, into which the escutcheon may attach. In one embodiment, the front housing **610** includes four snaps equally spaced, such as spaced at noon, 3 o'clock, 6 o'clock, and 9 o'clock (with snap **628** illustrating the positioning at noon and snap **627** illustrating the positioning at 3 o'clock). In an alternate embodiment, the front housing **610** includes two snaps equally spaced, such as spaced at noon and 6 o'clock.

The front housing **610** and/or main PCB **614** may be connected to back cover **616** in one or more additional ways. As discussed in more detail below, the notification appliance **600** may be connected to a junction box via one or more screws. In this regard, the screws may screw through holes **603**, **605** in the front housing **610**, holes **607**, **609** in the main PCB **614**, and holes **621**, **623** in back cover **616** to be received in screw sockets of the junction box (such as holes **1224**, **1230**, which serve as screw receptacles, in junction box **1220**). In order for the screws not to touch main PCB **614** (and potentially short circuit main PCB **614**), protrusions **621**, **623** on back cover **616** are used. Protrusions **621**, **623** may be composed of non-conducting material, such as rubber. When main PCB **614** is attached to back cover **616**, protrusions **621**, **623** push through holes **607**, **609** so that the interior edge of holes **607**, **609** are covered by protrusions **621**, **623**. In this regard, protrusions **621**, **623** serve as a buffer so that screws do not touch the interior edge of holes **607**, **609**. Further, an underside of front housing **610** may have one or more surfaces that mate with protrusions **621**, **623**. For example, the area on an underside of the front housing **610** around keyholes **1308**, **1310** may mate with protrusions **621**, **623**. The area(s) **1360**, **1362**, highlighted by dashed circles in FIG. 13F, may be flat surfaces. Thus, the screws inserted into the junction box, which traverse through the front housing **610**, the main PCB **614**, and the back cover **616**, may be isolated from interior electronics of the notification appliance.

When the screws are received in the screw sockets, the front housing **610** is pushed into main PCB **614** and back cover **616**, so that the front housing **610** creating a pressing force onto main PCB **614** and back cover **616**. With the additional manner in which front housing is connected to the notification appliance **600**, the notification appliance **600** may have additional structural integrity.



Main PCB **614** may include jumper **611**. Jumper **611** may comprise a wire used to configure Main PCB **614**. Jumper **611** may be visible from the front of notification appliance (with the escutcheon removed), such as illustrated in FIG. **13A**, discussed below. In this regard, the technician may readily see a configuration of Main PCB **614** by viewing front housing **610** without the need to remove front housing **610**.

Jumper may be input into different holes or points in main PCB **614** in order to indicate to the main PCB **614** (such as firmware resident in the main PCB **614**) of a particular desired configuration of the notification appliance. Jumper **611** may likewise be selected for a particular color to indicate the particular configuration of the notification appliance. In a more specific example, upon manufacture (or after manufacture), a jumper may be used to connect to a hole on main PCB **614** that indicates to the firmware that the notification appliance is to be configured as a mass notification appliance. As discussed in more detail below, the firmware may modify the operation of the notification appliance in response to the configuration information indicated by the jumper. In order to visually provide this indication, a yellow jumper may be used to indicate to an operator that the notification appliance is configured as a mass notification appliance. Conversely, a jumper may be used to connect to a hole on main PCB **614** that indicates to the firmware of the notification appliance that the notification appliance is to be configured as a fire notification appliance, with the color of the jumper being white to indicate to the operator that the notification appliance is configured as a fire notification appliance. In this regard, jumper **611** may serve one or more purposes. In one purpose, jumper **611** provides a visual indication of the configuration of the notification appliance. In another purpose, jumper **611** is used by main PCB for the configuration.

As discussed above, jumper **611** provides configuration information to the firmware. The firmware may modify the operation of the notification appliance in response thereto. In the example of jumper **611** indicating that the notification appliance is configured for mass notification (which can result in the light output being yellow in color), the firmware may drive the LED(s) **622** differently than if the firmware determines that the mass notification appliance is configured for fire notification. More specifically, since the light output for mass notification is yellow in color (with the yellow light output potentially resulting from filtering, thereby reducing the spectrum of light output as compared to light output for fire notification), the firmware may drive the LED(s) **622** differently (e.g., at a greater current and/or at a higher PWM rate) in a mass notification configuration than for a fire notification appliance in order to meet the desired candela setting. For example, for a setting of 30 candela, the firmware may drive a notification appliance in a fire notification configuration at a lower drive current and/or at a lower PWM rate than a 30 candela setting for a notification appliance configured for mass notification. As discussed below, the firmware may determine the drive currents and/or the PWM rates for the different configurations based on a lookup table, which may correlate an indication of the drive currents and/or PWM rates at which to operate the one or more strobe LEDs with different configurations.

As discussed above, the notification appliance may be configured for a candela output. In one embodiment, the notification appliance is configured for a discrete number of candela outputs. Typical candela ratings include, but are not limited to, 15, 30, 75, and 110 candela. In a more specific embodiment, the configuration of the candela output for the

notification appliance is via input proximate to the notification appliance (such as a manual setting of a switch, such as using cover **641** to manually set the candela output or via a near-field communication to the notification appliance). In another specific embodiment, the configuration of the candela output for the notification appliance is via input remote to the notification appliance (such as by the fire alarm control panel sending a command to configure the notification appliance to the candela output).

Further, in one embodiment, all of the potential candela outputs may be available in each of the different configurations of the notification appliance. For example, if the potential candela outputs are 15, 30, 75, and 110 candela, the notification appliance may output all of the potential candela outputs in either a fire notification configuration or in a mass notification configuration.

In an alternative embodiment, the potential candela ratings may be different depending on the configuration of the notification appliance. As discussed above, a fire notification appliance may use a clear lens and may emit a broad spectrum of light. Other types of notification appliances, such as a mass notification appliance, may have a colored lens and may emit a narrower spectrum of light. Because of the narrower spectrum, the notification appliance in the mass notification configuration may emit less light than the notification appliance in the fire notification configuration (with the drive current and PWM rate being equal). In certain configurations (such as in the mass notification configuration), the notification appliance may be unable to generate sufficient light to meet the candela requirements, such as at the highest candela setting (e.g., 110 candela). More specifically, the notification appliance may be unable to generate the drive current for a sufficient period of time to meet the candela setting at the narrower spectrum of light. In these situations, the notification appliance may have different available candela settings for different configurations. In the example of available candela settings of 15, 30, 75, and 110 candela, the notification appliance in the fire notification configuration may be configured to any of the available candela settings of 15, 30, 75, and 110 candela, whereas in the mass notification configuration may be configured to any of the available candela settings of 15, 30, and 75 (but not at the 110 candela setting). In this regard, the notification appliance in the mass notification configuration has a narrow set of available candela settings than in the fire notification configuration.

Further, in one embodiment, a notification may be generated in the event of an error in the candela setting. For example, in the event that the notification appliance is set to an unavailable candela setting, the notification appliance may generate an error signal. More specifically, in a notification appliance in which the 110 candela setting is unavailable in the mass notification configuration, and in the event that the notification appliance is in the mass notification configuration and the desired candela setting is set to 110 candela (either via a switch on the notification appliance or via a command to configure the candela setting set by a fire alarm control panel), the notification appliance may generate an error indication. The error indication may be output locally (such as on a display resident on the notification appliance) and/or may be output remotely (such as sending a communication to the fire alarm control panel indicating the error).

In addition to (or instead of) notifying of an error in the candela setting, the fire alarm control panel may notify of an error in the configuration of the notification appliance. As discussed above, the jumper, indicating the configuration of



the notification appliance to the main PCB **614**, may be installed at manufacture. After which, the notification appliance is installed at the site and the fire alarm control panel is programmed. The fire alarm control panel may thereafter poll one, some or all the notification appliances in the system for the respective configurations. For example, the fire alarm may send a command to a particular notification appliance, and, responsive to the command, the particular notification appliance may poll the jumper **611** to determine the configuration and send a response that includes an indication of the configuration, such as a mass notification configuration or a fire notification configuration. The fire alarm control panel may compare the configuration, as reported by the notification appliance, with the configuration, as programmed at the fire alarm control panel. In the event of a discrepancy in the comparison, the fire alarm control panel may indicate an error. For example, the fire alarm control panel may have programmed therein that notification appliance #20 is a fire notification appliance. In response to the fire alarm control panel polling notification appliance #20, the notification appliance may receive the configuration of notification appliance #20. In the event that notification appliance #20 responds with configuration information indicating a mass notification appliance, the fire alarm control panel may indicate an error. In this regard, the fire alarm control panel may perform testing to ensure that the proper equipment is installed.

As discussed above, the firmware may access the drive settings and/or PWM rates for the LED(s) **622** depending on the configuration and the candela setting of the notification appliance. In one example, a 2-dimensional look-up table may be used in order for the firmware to determine the correct drive currents and/or PWM rates. More specifically, inputs to the look-up table may include: (1) the notification appliance configuration (e.g., fire or mass notification configuration); and (2) the candela setting (e.g., 15, 30, 75 or 110). Responsive to the inputs, the look-up table may output an indication as to the drive current and/or PWM rate at which to operate the one or more strobe LEDs. For example, the look-up table may output an indication of a drive current, which may be used to drive the one or more strobe LEDs at the indicated drive current. In one embodiment, the look-up table may be resident in the notification appliance upon manufacture. In an alternate embodiment, the indication of the drive current and/or PWM rate may be received from a device external to the notification appliance. For example, responsive to receiving the notification appliance configuration and optionally the candela setting, the fire alarm control panel may send the notification appliance the drive current and/or PWM rate to produce the desired candela output for the notification appliance configuration. More specifically, in the instance where the candela setting is input locally to the notification appliance, the notification appliance may send both the notification appliance configuration and the candela setting to the fire alarm control panel. In response thereto, the fire alarm control panel may send the drive current and/or the PWM rate. In the instance where the candela setting is input via a command from the fire alarm control panel to the notification appliance, the notification appliance may send only the notification appliance configuration to the fire alarm control panel. In response thereto, the fire alarm control panel may send the indication of the drive current and/or the PWM rate.

FIG. **6B** is a back view of LED notification device as assembled. FIG. **6B** illustrates wire connecting mechanism **618**, discussed below with respect to FIGS. **9B-D**. FIG. **6B** further illustrates inset **619**. Inset **619** comprises an inden-

tation, cutout, or channel in the back of back cover **616**. Inset **619** may completely encircle a center portion of back cover. Adapter bracket **1200**, discussed below with respect to FIGS. **12A-B**, may mate with inset **619**. In one embodiment, when adapter bracket **1200** is pressed against the back of back cover **616**, adapter bracket sits flush with the back of the back cover. For example, another portion of back cover **616**, such as at **617**, and the adapter bracket may be in the same plane. In this regard, when adapter bracket **1200** connects between notification appliance and junction box, the notification appliance may at least partly abut or touch junction box. In one embodiment, the adapter bracket **1200** mating with inset **619** at least partly seals or weatherproofs a backside of the notification appliance. In an alternate embodiment, the adapter bracket **1200** mating with inset **619** fully seals or weatherproofs the backside of the notification appliance.

As discussed above, front housing **610** may be attached to back cover **616**. Slot **643** illustrates one manner in which front housing **610** may be attached to back cover **616**. Further, the escutcheon may be attached to front housing **610**, such as using tabs **645**, **647**, **649**, **651** on front housing.

FIGS. **6C-E** illustrate side views of a wall mounted notification device, with FIG. **6C** illustrating the notification device without the optic attached and FIG. **6D** illustrating the notification device with the optic attached. FIG. **6E** illustrates an expanded view of FIG. **6D**. FIG. **6F** illustrates a cross-section view of the optic as installed.

As discussed above, there may be requirements for a vertical dispersion of wall mounted strobes, such as illustrated in FIGS. **4C-D**. In this regard, one manner in which to achieve a desired vertical dispersion is by configuring the notification device such that one or more of the LED strobe elements in the notification device is offset. As illustrated in FIGS. **6C-E**, the LED strobe element in the notification device is offset at  $25^\circ$  below the vertical plane. Typically, the LED strobe element is positioned such that its mounting is perpendicular to the wall (i.e.,  $0^\circ$  from vertical). In one embodiment, the angle of mounting is greater than  $0^\circ$ , such as equal to or greater than  $5^\circ$ , equal to or greater than  $10^\circ$ , equal to or greater than  $15^\circ$ , equal to or greater than  $20^\circ$ , equal to or greater than  $25^\circ$ , equal to or greater than  $30^\circ$  or equal to or greater than  $35^\circ$ .

There are various ways in which to achieve the desired angle of mounting of the strobe element. One way, illustrated in FIG. **6D**, is to mount the one or more LED(s) **622**, being used as the strobe element, perpendicularly onto a printed circuit board (PCB), such as LED PCB **608** illustrated in FIG. **6A**. In this regard, the light emitted at companion angles across  $180^\circ$  (such as  $45^\circ$  and  $135^\circ$ ) are the same. The LED PCB **608** may then be mounted at the desired offset (such as at  $25^\circ$  discussed above) so that the light emitted from the LED(s) (after the PCB is mounted) is at the desired offset angle. Another way is to mount the LED PCB such that the LED PCB (when the notification device is mounted to the wall) is parallel to the wall. The LEDs may be mounted to the LED PCB at the desired offset (such as at  $25^\circ$ ). Thus, when installed, the LED(s) are at the predetermined offset. Still another way is to offset the mounting of the PCB and the LED(s) related to the wall.

As discussed above, the optic may be used in the notification device. Examples of the optic are illustrated in FIGS. **6C-I**, **7A-B**, **8A-C**, **13**, **17A-B**, **19A-B** and **21A**. FIG. **6G** illustrates a front view of the optic, FIG. **6H** illustrates a bottom view of the optic, and FIG. **6I** illustrates a front perspective view of the optic.



The optic **604** is configured to work in combination with one or more LEDs in order for the light to have a predetermined distribution. More specifically, the light, after emission through the optic installed at a certain angle below the vertical plane, such as 25° below the vertical plane (see FIGS. 6C-D), has a distribution at least as much as listed in FIGS. 4A and 4C. In this regard, the optic is shaped on the interior portion (e.g., when installed the surface of the optic closer to the LEDs) and/or on the exterior portion to generate the desired light distribution.

The optic **604** further includes one or more structures in order to accomplish one or both of the following objectives: correctly position the optic relative to the LED PCB **608**; and correctly secure the LED PCB **608** to the notification device (such as to front housing **610** illustrated in FIG. 6A). The optic **604** includes one or more holes **642** configured to receive one or more screws, bolts or fasteners. The optic **604** may be placed on top of housing **610** (illustrated in FIG. 6A) and screws may be screwed through hole **642**, and through hole **625** on front housing **610** to affix optic **604** to front housing **610**. In this regard, when optic **604** is affixed to front housing **610**, LED PCB **608** may be pressed against front housing **610** (shown in exploded view in FIG. 6A). Further, the optic **604** includes one or more keys configured for proper orientation of the optic **604**. For example, FIGS. 6G and 6H illustrate posts **636** and **638**. In one embodiment, posts **636** and **638** are in line with holes **642**, as illustrated by dotted line **644**.

Posts **636**, **638** may act as locating structure configured to properly position or locate optic **604** in notification appliance. As shown, post **636** has a diamond shaped cross-section and post **638** has a circular shaped cross-section. In addition, LED PCB **608** includes slots or openings (one opening with a diamond shape to receive post **636** and one opening with a circular shape to receive post **638**). In this regard, posts **636** and **638** ensure that the optic is in the proper orientation. More specifically, the optic **604** may be configured in a first orientation and a second orientation 180° from the first orientation. The posts **636** and **638** may be used to ensure a proper orientation. More specifically, in the event an operator attempts to install the optic **604** in an improper orientation (e.g., 180° out of alignment), the posts **636** and **638** will not fit properly into LED PCB **608**, thereby indicating that the selected orientation is not proper.

In addition, one or both of posts **636** and **638** may perform functions other than proper orientation. In one embodiment, one or both of posts **636** and **638** may be used as a light guide. In one more specific embodiment, one or both of posts **636** and **638** may be in light communication with at least another part of the notification appliance. More specifically, one or both of posts **636** and **638** may guide light generated from strobe LED(s) back to main PCB **614**. As discussed in more detail below, the light from the strobe LED(s) may be sensed by a circuit element on main PCB **614** in order to determine whether strobe LED(s) are operating correctly. In another more specific embodiment, one or both of posts **636** and **638** may guide light generated from a light source (such as a communication LED) on main PCB **614** to the optic. As discussed in more detail below, the optic may be used for multiple purposes, such as for shaping the light generated by the strobe LED(s), and also for outputting light from a communication LED. The communication LED may reside on main PCB **614**, and transmit its light via a light pipe and via the post so that the light from the communication LED is visible by a technician viewing the optic. This is, for example, illustrated in FIG. 8C, in which posts **636** or **638** may guide light generated from strobe LED

to a light pipe **704** or **802**, and may also guide light generated by a communication LED to optic **700** or **800**.

Optic **604** may further include gate **640**. As discussed in more detail below, gate **640** may be used to locate optic with respect to LED PCB **608** (see FIG. 6J). Similar to posts **636** or **638**, gate **640** may guide light to (or may receive light from) main PCB **614**. For example, gate **640** may guide light generated from strobe LED(s) back to main PCB **614**. As another example, gate **640** may receive light generated from a light source (such as a communication LED) on main PCB **614** to the optic.

As discussed above, the optic is configured to shape the light generated from the LED array into a light output distribution with at least a predetermined pattern. In this regard, a first optic may be used to shape the light output from a first LED array and a second optic may be used to shape the light output from a second LED array. For example, a 2×1 LED array may be mounted on the LED PCB (with 2 LEDs in a line). As another example, a 2×2 LED array may be mounted on the LED PCB (with 4 LEDs arranged in a square shape).

In one embodiment, the general shape of the optic (e.g., the footprint of the optic) used in combination with a first LED array is the same as the general shape of the optic used in combination with a second LED array. In the example given, the footprint of the optic for use with the 2×1 LED array is generally the same as the footprint for the optic for use with the 2×2 LED array. However, the optic used with the first LED array is different from the optic used with the second LED array in at least one aspect, such as the interior surface or the exterior surface. In the example given, the optic for the first LED array may have a different racetrack **632** or flange **630**. In one embodiment, for example, the racetrack **632** for the optic for use with the 2×1 LED array is wider than the racetrack **632** for the optic for use with the 2×2 LED array. Similarly, the gate **640** for the optic for use with the 2×1 LED array is longer than the gate **640** for the optic for use with the 2×2 LED array.

Given that there are multiple optics with the same footprint, there is a possibility that the wrong optic may be installed. In the example given, an optic designed for installation with a 2×1 LED array may be mistakenly installed with a 2×2 LED array. To avoid a mistaken installation of the wrong optic, a key **634** may be used. The key **634** may have a companion opening with the LED PCB. For example, an optic designed for installation with a 2×1 LED array may have a key **634** at 2:00 (as illustrated in FIG. 6G). The LED PCB (upon which the 2×1 LED array is installed) may likewise have an opening to receive the key **634** on the optic. As another example, an optic designed for installation with a 2×2 LED array may have a key at 10:00. The LED PCB (upon which the 2×2 LED array is installed) may likewise have an opening to receive the key on the optic.

The optic thus may be used to seal one or more parts of the notification appliance. In one way, the optic may be used to press LED PCB **608** against front housing **610**. In another way, the optic may be used to seal an opening on escutcheon. As discussed in more detail below, a part of the optic, such as racetrack **632**, may be used to seal an underside of escutcheon.

The optic includes a center portion, through which at least a part of the light generated from the mounted LED(s) is transmitted. Further, when mounted, the center portion of the optic is positioned proximate to and directly above the LED(s) **622** mounted to LED PCB **608**. Further, as shown in FIGS. 6G-I, the optic includes a shaped surface on the



interior of the optic (i.e., when installed, the surface of the optic closer to the mounted LED(s)) and a shaped surface on the exterior of the optic. At least one of the shaped surfaces, such as the shaped surface on the interior of the optic, may comprise an asymmetrical shape. For example, the center portion of the optic is skewed such that a top portion shape is different from a bottom portion shape. Optic 604 further includes flange 630, racetrack 632, and gate 640. Gate may be configured to abut or mate with a part of the LED PCB 608, such as illustrated in FIG. 6J. In this regard, gate 640 may be used as an alignment guide. Alternatively, or in addition, gate 640 may guide light generated from strobe LED(s) back to main PCB 614 and/or may guide light generated from a light source (such as a communication LED) on main PCB 614 to the optic.

When the escutcheon is mounted to front face 610, flange 630 is configured to seal with an underside of the escutcheon. This is discussed in more detail with respect to FIGS. 10C-D. In addition, it may be desirable that the optic 604 blends with the escutcheon. In this regard, the racetrack 632 may be configured so that it sits flush with an outer side of the escutcheon. To accomplish this, the amount of rise 648 between the flange 630 and the racetrack 632 may be selected such that the flange 630 seals the underside of the escutcheon and such that the racetrack 632 sits flush with the outer surface of the escutcheon.

Optic 604 may include flat surface 646. As discussed above, wall mounted notification appliances have a desired distribution, such as illustrated in FIG. 4D. In order to reduce the light traveling upward, flat surface 646 is used. Flat surface is horizontal with respect to optic 604. When optic is installed, such as illustrated in FIG. 6D, the flat surface is 25° from vertical.

Optic 604 further includes bends 650, 652 which may comprise a curved portion configured to conform to a curve in front housing 610.

As discussed above, the optic may be designed such that the optic's free form surfaces, including the shaped surface on the interior of the optic and/or the shaped surface on the exterior of the optic, may work in combination with the LED axis directed at 25° below the vertical plane. The luminous intensity distribution dictated by the UL specification in the vertical plane, shown in FIG. 4C, has a center weighting that is approximately 20° below the vertical plane. In this regard, if the LED axis is tipped further up or down from the 25° as illustrated, it may result in performance deterioration and may result in the optic thickness becoming too large to be molded.

One or more LED(s) may be housed in the notification device. In one embodiment, a single LED may be housed in the notification device. In an alternate embodiment, multiple LEDs may be housed in the strobe device. The multiple LEDs may be arranged in an array, such as a 2×1 array, a 2×2 array, etc. One example of an LED is Cree XM-L2 LED.

In the embodiment in which multiple LEDs are positioned proximate to one another, the extreme angle rays from either one of the LEDs are incident on the adjacent LED lens dome. This modifies the overall directional output characteristics.

FIG. 6J illustrates LEDs side by side (e.g., 2 LEDs side by side). The side by side LED configuration may be effective because in the horizontal plane where the effective source size is largest the rate of change of illumination is relatively small and in the vertical plane where the rate of change of illumination is much larger the effective source size is relatively small. With regard to horizontal beam distribution, the output of the strobe device that is configured for wall

mounting is designed to meet or exceed the UL 1971 specification requirements as illustrated in FIG. 4A. To ensure that the output at 90° meets the required 25% of peak value (see FIG. 4A), some light is directed at angles greater than 90°. This extra coverage is a consequence of the emitting size of the LED. There is also a deliberate excess of light above the requirement at 90° to allow for the effect of positional tolerances which have a greater effect at 90° than on the axis.

Further, optic 604 may be designed to be attached to the strobe device in fixed relation to the one or more LED strobes. Optic 604 has a shaped inner surface, a shaped outer surface, and a predetermined distance between the inner and outer surfaces in order to distribute the light from the LEDs such that the output from the LEDs is at least (or exceeds) the UL 1971 specifications as detailed in FIGS. 4A-D (for wall mounted strobe devices) and in FIGS. 5A-B (for ceiling mounted strobe devices). At least a part of the optic, such as the flange 630 and/or the racetrack 632, may further be configured to act as a seal around the LED(s). The optic may be composed of Polycarbonate or other material with a predetermined refractive index (e.g., a high refractive index) that improves the amount of light that can be gathered by the optic.

Optic 604 in the notification device may be used for a variety of purposes. One purpose may be to channel light from one, or multiple, light generating devices. FIG. 7A illustrates one example block diagram of an optic 700 and multiple light generating devices, such as strobe LED 702 and communications LED 706. Strobe LED 702 and communications LED 706 are different in at least one aspect. For example, strobe LED 702 may be configured to generate a higher light output than communications LED 706 and/or may be configured to generate light in a different frequency spectrum than communications LED 706. More specifically, strobe LED 702 may be configured to generate light output in order to comply with UL Specification 1971. In contrast, communications LED 706 may be used for display only, such as providing a visual indicator indicative of a status of the strobe device. For example, the notification device may be configured to test itself. In response to a determination that a part of the notification device is faulty, the notification device may activate the communications LED 706 in order to provide a visual indication of the fault. As another example, communications LED 706 may blink when the notification device is being polled. An operator visually inspecting various notification devices may readily notice the light generated by the communications LED 706, and in turn recognize that the particular notification device is faulty. In order to assist the operator in noticing the light, the frequency spectrum of the communications LED 706 may be different from the strobe LED 702. For example, the communications LED 706 may output light in the red color frequency range.

Both strobe LED 702 and communications LED 706 may be positioned relative to the optic 700 such that light output from either strobe LED 702 or communications LED 706 may pass through the optic 700. In one embodiment, the light output from strobe LED 702 may be directed at a different portion of the optic than light output from communications LED 706. For example, the light output from strobe LED 702 may be directed to a center portion of the optic 700, and the light output from communications LED 706 may be directed to an off-center portion of the optic 700, such as the gate 640 of the optic.

FIG. 7B illustrates another example block diagram of optic 700, strobe LED 702 and communications LED 706,



and light pipe 704. In this regard, FIG. 7B differs from FIG. 7A with the addition of light pipe 704. Light generated by communications LED 706 may be channeled to optic 700 using light pipe 704.

Another purpose of the optic may be to channel light to one or more sensors resident in the notification device. Sensor(s) may be used in order to determine various light levels, such as an indication of the amount of light emitted from the strobe LED and/or an indication of the amount of ambient light. In this regard, the optic may be used to transmit light generated by strobe LED and may also be used to channel light to the sensor. FIG. 8A illustrates one example block diagram of an optic 800, strobe LED 702 and sensor 804. As shown, the light from strobe LED 702 may be transmitted to optic 800. Light transmitted from strobe LED 702 is transmitted to optic 800, part of which is reflected back to sensor 804 and another part of which is transmitted through the optic 800.

FIG. 8B illustrates another example block diagram of optic 800, strobe LED 702, sensor 804, and light pipe 802. In this regard, FIG. 8B differs from FIG. 8A with the addition of light pipe 804. Light reflected from optic 800 may be channeled to sensor 804 using light pipe 702.

FIG. 8C is a cross-sectional view illustrating the optic 700 or 800, the light pipe 704 or 802, the communications LED 706 and sensor 804. In one embodiment, the light pipe 704 or 802 may be used for a single purpose. For example, the light pipe 704 or 802 may be used to channel light generated from the communications LED 706 to optic 700. As another example, the light pipe 704 or 802 may be used to channel light reflected from optic 800 to sensor 804. Alternatively, the light pipe 704 or 802 may be used for multiple purposes. For example, the light pipe 704 or 802 may be used for both channeling light generated from the communications LED 706 to optic 700 or 800 and for channeling light reflected from optic 700 or 800 to sensor 804.

FIG. 9A illustrates an underside of the front housing 610 of the notification device. As discussed above with regard to FIG. 6A, the notification appliance may include front housing 610. The underside of front housing 610 may include a post 904. The post 904 may provide structural support for front housing 610. Post 904 is configured to contact (or nearly contact) a part of main PCB 614. For example, post 904 is configured to contact at point 613 on main PCB 614, thereby touching at least a part of main PCB 614. As another example, when front housing 610, main PCB 614, and back cover 616 are connected, post 904 is configured to be proximate to point 613. In this regard, if excessive pressure is applied to main PCB 614 (such as by excessive force applied to wire connecting mechanism 618 opposite to point 613), post 904 may provide additional structural support to main PCB 614. Point 613 is inside four pins 615 on main PCB 614 (such as geometrically in the center of the four pins 615). Four pins 615 are used to connect wire connecting mechanism 618 (e.g., the terminal block) to main PCB 614. In use, pressure will be applied to wire connecting mechanism 618. Thus, since post 904 abuts one side of main PCB 614, the opposite side of which resides the wire connecting mechanism resides. In this regard, post 904 may provide additional structural support when pressure is applied to main PCB 614. Likewise, post 904 may provide support from pressure applied via the front face of the notification appliance. As discussed above, the front face of the notification appliance may include one or more elements through which to input information. For example, the elements may comprise switches or the like, such as illustrated in FIG. 13A. In this regard, the operator may apply force to the front

face of the notification appliance when manually setting the switches. The post 904 may provide the additional structural support to withstand the operator's pressure applied to the front face.

The underside of the front housing 610 may further include a slot 902 which may receive a light pipe, such as light pipe 704, 802. Also, the underside of the front housing 610 may further include slot 901 for light pipe (FIG. 11B illustrates light pipe 1100 being inserted into slot 901). Slot 902 comprises a screw receptacle in which a screw, such as screw 602 in FIG. 6A, is inserted through hole 642 of optic and is mounted into slot 902.

FIG. 9A further illustrates holes 903, 905. When front housing is connected to main PCB 914 and/or back cover 616, at least a part of the electronics on main PCB 914 may be accessible via holes 903, 905. In one embodiment, the electronics may comprise manually configurable input devices (such as switches or the like). FIG. 13A illustrates examples of manual configurable input devices 1302, 1304.

FIG. 9B illustrates a first view of wire connecting mechanism 618 on the back cover 616 of the notification device, illustrated in FIG. 6A. FIG. 9C illustrates a second opposing view of wire connecting mechanism 618 on the back cover 616 of the notification device. In one embodiment, wire connecting mechanism 618 may be part of main PCB 614. In this regard, when main PCB 614 is connected to back cover 616, wire connecting mechanism 618 is pushed through hole 654 of back cover 616. Main PCB 614 may include one or wire connecting mechanism 618 in which wires may be connected. One example of wire connecting mechanism comprises a terminal block. The wire may be held within the terminal block by the tightening of a screw. The wire may be wrapped directly under the head of a screw or may be held by a metal plate forced against the wire by a screw.

FIGS. 9B-C illustrate wire connecting mechanism 618 in which two separate wires may be connection. Alternatively, wire connecting mechanism 618 may be configured with a single slot for insertion of only a single wire, or may be configured with a plurality of slots for insertion of multiple wires, such as 2 slots for insertion of two wires (see FIGS. 9B and 9C), 3 slots for insertion of three wires, etc. Wire connecting mechanism 618 includes screws 906, 908, which may be turned (such as turned counter-clockwise) in order to enable the sliding of a wire into hole (illustrated in FIG. 9D). Upon insertion of the wire into the hole, the screw 906, 908 may be turned (such as turned clockwise) in order to press the screw against the inserted wire. In this regard, electrical contact with the inserted wire may be made.

Insertion of wires into the hole(s) of wire connecting mechanism 618 may be difficult. In one embodiment, back cover 616 may include a ramp and/or a valley may be used in order to assist in the insertion of the wires into hole(s) of wire connecting mechanism 618. More specifically, FIGS. 9B-D illustrate a section of back cover 616 that includes ramps 902, 904, valleys 912, 914, and wall 910. Ramps 902, 904 may provide a gradual decline from an upper surface 916 to the valley 912, 914. In order to ease the insertion, ramps 902, 904 may be used. Further, wall 910 may separate valleys 912, 914 in order to assist in the insertion of a wire into the respective slot.

FIG. 9C illustrates screws 906, 908 unscrewed so that wire connecting mechanism 618 includes holes 922, 924 through which wires may be inserted. After insertion of the wires, screws 906, 908 may be screwed down in order to hold wires in place and maintain electrical contact. As shown in FIG. 9C, bottom 926, 928 of terminal block is level



with valleys 912, 914. Thus, there is no bump or obstruction when inserting wires into wire connecting mechanism 618. Alternatively, bottom 926, 928 may be lower than valleys 912, 914.

FIG. 10A illustrates a part of an underside of the escutcheon 1000, which is configured to connect with the front housing 610 illustrated in FIG. 6A. The underside of escutcheon 1000 includes a speaker grille 1002 and a raised lip 1004. The speaker grille 1002 is configured to protect the speaker, which is mounted on main PCB 614, from dust or dirt, and may be in a variety of patterns. The raised lip 1004 may be around part, or all, of the perimeter of the speaker grille 1002. As shown in FIG. 10A, the speaker grille 1002 is circular in shape. In this regard, the raised lip 1004 may likewise be circular in shape. Similarly, the speaker grille 1002 may be rectangular in shape, with the raised lip following the rectangular shape.

FIG. 10B illustrates a part of the main PCB 614 illustrated in FIG. 6A. As illustrated in FIG. 10B, the speaker 1010 is fitted with a gasket 1012. Gasket 1012 may be composed of rubber or other flexible material. As shown, gasket 1012 covers an entire perimeter of the upper side of speaker 1010. Alternatively, gasket 1012 may cover less than all of the perimeter of the upper side of speaker 1010.

When the escutcheon 1000 attached to front housing 610, the raised lip 1004 may contact the gasket 1012. In this regard, contact between the raised lip 1002 and the gasket 1012 may form a seal, thereby reducing the likelihood of dirt or debris entering an interior of the notification device.

FIG. 10C illustrates another view of an underside of the escutcheon 1020 with gasket 1022. As discussed above, the escutcheon 1020 is configured for mounting to front housing 610. The underside of the escutcheon 1020 includes gasket 1022. In this regard, the gasket 1022 may act as a shaped piece or ring sealing the junction between the escutcheon 1020 and the optic 604. Gasket 1022 may be composed of rubberized or other type of sealing material. FIG. 10E illustrates another view of an underside of the escutcheon 1020 without gasket 1022. As illustrated in FIG. 10E, the underside of the escutcheon 1020 includes an inset 1050 or cutout in which the gasket 1022 may be seated. In one embodiment, when the gasket 1022 is seated in inset 1050, the gasket is flush with the surrounding area on the underside of the escutcheon 1020. In an alternate embodiment, when the gasket 1022 is seated in inset 1050, the gasket is not flush with the surrounding area on the underside of the escutcheon 1020.

As illustrated in FIGS. 10C and 10E, the inset 1050 includes one or more corners (three of which are illustrated in FIG. 10C as 1032, 1034, and 1036 and four of which are illustrated in FIG. 10E as 1032, 1034, 1036, 1038). The corners may be formed such that a part on the optic other than flange 630 may engage the underside of the escutcheon 1020. More specifically, gasket 1022 may form a seal with flange 630. In addition, corners 1032, 1034, 1036, 1038 may engage with edges 1040, 1042, 1044 of optic 604. In this way, the optic 604 may be held more securely in position by using two different points of contact to optic 604.

In one embodiment, gasket may have a width that matches the width of flange 630 of optic 604. Upon mounting, the gasket contacts a part of the optic 604, such as the flange 630 of optic 604. FIG. 10D illustrates the contact of gasket 1022 with flange 630 of optic 604. The sealing may thus prevent water or the like from entering via the escutcheon opening.

FIG. 10C further illustrates the manner in which the escutcheon 1020 may be attached to the front housing 610. Escutcheon 1020 includes one or more ways in which to be

attached to the front housing 610. For example, clasps 1024, 1030 may be used to snap into a part of front housing 610, such as into tabs 649, 651. Further, holes 1026, 1028 may likewise be slotted into or mate with protrusions on front housing 610, such as into tabs 645, 647, 1326. In this regard, the escutcheon 1020 may be connected to the front housing 610 in one or multiple ways.

FIG. 11A illustrates a perspective view of the light pipe 1100. Light pipe 1100 may be the light pipe 704 illustrated in FIG. 7B or may be the light pipe 802 illustrated in FIG. 8B. As discussed above, the light pipe may serve one function or multiple functions. For example, the light pipe 1100 may be used to channel light generated from the communications LED to an optic and/or may be used to channel light reflected from the optic to a sensor. The light pipe 1100 includes a shaft 1102 through which light is channeled. One end 1108 of the shaft 1102 may angled. The angle of the one end 1108 may be similar, or match the angle of the LED PCB. For example, FIG. 8C illustrates the plane formed by end 1108 is perpendicular to the plane formed by LED PCB.

Further, the light pipe 1100 includes a collar 1104, which may be positioned toward a top of the light pipe 1100. The collar 1104 may be shaped to mate with a part of the front housing 610 of the notification device. For example, the collar 1104 may include one or more sides 1106, which may mate a hole 1110 on front housing 610. FIG. 11B illustrates light pipe 1100 seated in hole 1110 of front housing 610 illustrated in FIG. 6A. As shown, hole 1110 includes a flat face 1112. For installation, the light pipe 1100 may be rotated until the flat face 1106 on collar of light pipe 1100 matches the flat face 1112 of hole 1110. When slotted properly, the end 1108 is parallel to the LED PCB. The shape of the collar 1104 and of hole 1110 are merely for illustration purposes. Other shapes are contemplated such that light pipe 1100 seats properly in hole 1110.

An electrical junction box is a container for electrical connections. The electrical junction box may be used to conceal the electrical connections from sight and to deter tampering. The electrical junction box may be installed in walls or in ceilings, such that the electrical junction box is recessed into the wall or the ceiling or flush with the wall or the ceiling. Electrical junction boxes may vary in size depending on the geographic location. For example, the size electrical junction boxes in the United States may differ from the size of electrical junction boxes in Europe or the Middle East. An example of a single gang electrical junction box for the United States is illustrated in FIGS. 13B-E, discussed below. As shown, the notification appliance is connected at the top and the bottom of the junction box (i.e., at 12:00 and 6:00). However, different types of junction boxes may be configured differently.

Instead of configuring different notification appliances to connect to different junction boxes, a notification appliance may be designed to connect to a single type of junction box (such as the single gang electrical junction box for the United States), and an adapter bracket 1200 may be used so that the notification appliance may be connected to other types of junction boxes. In this regard, rather than connecting the notification device directly to the junction box, an intermediate piece, such as adapter bracket 1200, may be used to connect the notification appliance to the junction box 1210.

Adapter bracket 1200 includes one or more holes that enable connection of the adapter bracket 1200 to junction box 1220. FIGS. 12A-B illustrate one type of junction box 1220, which is rectangular in shape and includes holes 1224,



1228. Other types of junction boxes may have different shapes, such as circular, and may have different placement of holes (such as at 2:00 and 8:00).

Adapter bracket 1200 may include one set of holes to mate with the holes in the junction box. Alternatively, adapter bracket 1200 may have multiple sets of holes in which to mate with the holes in different types of junction boxes. For example, as shown in FIGS. 12A-B, adapter bracket 1200 includes holes 1202, 1204, which match (or nearly match) the size of holes 1224, 1228 on the connection elements 1222, 1230. Holes 1202, 1204 may comprise keyholes for ease of installation. When the adapter bracket 1200 abuts the junction box 1220, such as illustrated in FIG. 12B, screws may be screwed through holes 1202, 1204 and 1222, 1228, respectively. Adapter bracket may further include holes 1232, 1234, which may match (or nearly match) holes for a type of junction box not illustrated in FIGS. 12A-B (in which the holes in the junction box are at 2:00 and 8:00). As shown in FIGS. 12A-B, holes 1232, 1234 are not keyholes. In an alternative embodiment, holes 1232, 1234 may be keyholes.

Adapter bracket 1200 may further include one or more sidebars 1236, 1238. As shown in FIGS. 12A-B, two sidebars 1236, 1238 are shown, which are proximate to holes 1202, 1204. In this regard, sidebars 1236, 1238 may provide additional strength or rigidity to the portion of adapter bracket 1200 near or proximate to holes 1202, 1204. Alternatively, only one sidebar may be included. In still an alternate embodiment, sidebars may be included on each side of adapter bracket 1200.

Junction box 1220 includes an opening 1226. As shown in FIGS. 12A-B, the opening 1226 of the junction box 1220 is rectangular. Alternatively, the opening of the junction box may be square in shape. Likewise, the adapter bracket 1200 includes an opening 1208. As shown in FIGS. 12A-B, the opening 1208 of the adapter bracket 1200 is rectangular. Alternatively, the opening of the adapter bracket may be square in shape. The opening 1208 of the adapter bracket 1200 may be sized differently than the opening 1226 of the junction box 1220. In one embodiment, the opening 1208 of the adapter bracket 1200 has a dimension that is different from a dimension of the opening 1226 of the junction box 1220. In a more specific embodiment, at least one dimension of the opening 1208 of the adapter bracket 1200 is larger than the dimension of the opening 1226 of the junction box 1220. For example, the opening 1208 may be larger in the x-direction, may be larger in the y-direction, or may be larger in both the x-direction and the y-direction. As illustrated in FIGS. 12A-B, the opening 1208 is larger in the y-direction only. Further, a total area of the opening 1208 may be larger than a total area of the opening 1226. Alternatively, the opening 1208 of the adapter bracket 1200 may be smaller than the opening 1226 of the junction box 1220. As discussed in more detail below, the different dimensions of openings 1208, 1226 enables the adapter bracket 1200 to install notification appliances with different types of junction boxes.

In one embodiment, adapter bracket includes two different types of connection elements by which to connect the notification appliance to the adapter bracket. For example, adapter bracket 1200 includes standoff 1206, which may be a threaded standoff through which a screw may be inserted, and tab 1210, using which the notification appliance may be hooked to the adapter bracket 1200. Standoff 1206 may be a through-hole or a raised screwhole. In one embodiment, standoff 1206 is mounted on a solid part of bracket. Alter-

natively, standoff 1206 is mounted on a hole so that a screw may be screwed through standoff 1206 and into junction box 1220.

With regard to standoff 1206, a part of the notification appliance, such as back cover 616, may likewise include a hole. A screw may be inserted through the hole on the back cover 616, and through standoff 1206 in order to attach the notification appliance to the adapter bracket 1200 (and in turn to junction box 1220). Alternatively, instead of attaching a part of the notification appliance to standoff 1206 of adapter bracket 1200, the hole (or holes) on the back cover 616 may be positioned such that the hole (or holes) line up with holes 1202, 1204 and 1224, 1230. In this regard, the screws may pass through each of the holes on the back cover 616, through holes 1202, 1204 on adapter bracket 1200, and through holes 1224, 1230 on junction box 1220.

Adapter bracket 1200 further includes tab 1210. Tab 1210 may have at least one curved portion. As shown in FIGS. 12A-B, tab 1210 includes two curved portions 1212, 1214. In this regard, the tab may engage a hole on a back part of the notification appliance, such as a hole (or other opening) on the back cover 616 of the notification appliance. In a specific embodiment, the hole on the back cover 616 of the notification appliance may comprise a keyhole opening. When the tab, with its one or more curved portions, is engaged in the hole of the notification appliance, the tab acts to hook the hole, resulting in one or both of the following: the tab at least partly supports or holds up the notification device; and the tab reduces the possibility that the notification appliance can be pulled away from the wall or ceiling.

In practice, the notification appliance may be hooked to adapter bracket 1200 using tab 1210. After which, one or more screws may be used to attach the notification appliance to the adapter bracket 1200 (such as inserting a screw through standoff 1206). In this regard, in one embodiment, only a single screw is needed for attachment of the notification appliance to adapter bracket 1200. Further, there may be instances where it is inadvisable to have the screw, which engaging standoff 1206 does not enter an interior of the junction box. In this regard, the single screw, when engaged in standoff 1206, is not inserted into an interior of the junction box since the screwhole is raised. Alternatively, in the event that a hole (instead of a standoff 1206 is used), when a screw is screwed through the hole, the screw is inserted into an interior of the junction box. As discussed above, the junction box 1220 may be installed flush with the wall or ceiling. Thus, in instances where the notification appliance is larger than the opening of the junction box, the adapter bracket enables the insertion of the single screw, which is in the interior of the junction box. Further, tab 1210 does not require an additional screw, thereby avoiding inserting a screw into the wall or ceiling outside of the junction box 1220.

The adapter bracket 1200 may sit flush between the junction box 1220 and the backside of the notification appliance. In this regard, the adapter bracket may be inconspicuous when the notification appliance is installed. Further, a gasket may be used to seal the backside of the notification appliance in order to weatherproof the notification appliance.

As illustrated in FIGS. 12A-B, a single junction box is shown. Alternatively, there may be multiple junction boxes, such as two junction boxes abutting one another, four junction boxes abutting one another in a square configuration, etc.

FIG. 13A illustrates the notification device 1300 without the escutcheon, which may include front housing 610, optic



604, LED PCB 608, input devices 1302, 1304, speaker 1306, and keyhole openings 1308, 1310. The input devices 1302, 1304 may be manually configurable. For example, the input devices 1302, 1304 may comprise manual switches (e.g., 2 position switches) in order for a technician to configure the notification device. As illustrated in FIG. 13A, the number of switches for input device 1302 is different than the number of switches for input device 1304. Alternatively, the number of switches for input device 1302 may be the same as the number of switches for input device 1304. In one embodiment, input device 1302 may be for input of the address of the notification device, and input device 1304 may be for input to configure the audio output, in the event that the notification appliance includes an audio output, such as a horn. In this regard, the controller of the notification device may poll both of input device 1302, 1304 in order to determine the address and the audio configuration of the notification device, respectively. Thereafter, the address and the audio configuration of the notification device may be stored in a memory within notification device and/or may be transmitted external to the notification device (e.g., to a fire alarm control panel responsive to a command from the fire alarm control panel querying the notification device).

The speaker 1306 may be positioned in one of several places in the notification device. As one example, the speaker 1306 may be positioned off-center from the front housing. More specifically, the speaker 1306 is shown in FIG. 13A as being off-center in the X-direction. As another example, the speaker 1306 may be positioned out of alignment with respect to the positioning of the LEDs 622 on LED PCB 608. More specifically, the LEDs 622 on LED PCB 608 are shown as being centered in the X-direction, whereas the speaker 1306 is shown in FIG. 13A as being off-center in the X-direction.

Front housing 610 may further include holes, such as keyholes 1308, 1310. In one embodiment, keyholes 1308, 1310 may be in different orientations (such as keyhole 1308 being disposed horizontally and keyhole 1310 being disposed vertically. In an alternate embodiment, keyholes 1308, 1310 may be a same orientation (such as keyholes 1308, 1310 both being disposed horizontally or both being disposed vertically). Screws 1312, 1314 may thus be inserted through keyholes 1308, 1310 to connect to the junction box. In this regard, in addition to connecting front housing 610 to back cover 616 (discussed above), front housing 610 may likewise be connected to junction box via screws 1312, 1314. More specifically, front housing 610 may be squeezed or forced against junction box using screws 1312, 1314, which may provide structural support separate from attaching housing to back cover 616. More specifically, screws 1312, 1314 may press the front housing 610 against one or both of main PCB 614 or back cover 616. Further, in one embodiment, connection of main PCB 614 to back cover 616, such as via 635, 637, 639, may be considered temporary or sufficient only until installation of the notification appliance to the junction box via screws 1312, 1314. Screws 1312, 1314, pressing the notification appliance together (including pressing front housing 610 against main PCB 614 onto back cover 616), may thus hold various parts within the notification appliance (such as main PCB 614) more permanently.

As discussed above, escutcheon (such as escutcheon 1020) may be connected to front housing 610 via one or more tabs, such as tab 1316 shown in FIG. 13B.

FIGS. 13B-E illustrating the side view, the back view, the front perspective view, and the back perspective view of FIG. 13A. The notification appliance 1300 is connected to

junction box 1320. Junction box 1320 is a different type of junction box than junction box 1220 illustrated in FIGS. 12A-B.

In practice, the keyholes 1308, 1310 enable the screws 1312, 1314 to be inserted or screwed at least partly into the screw receptacles of junction box 1320 prior to the notification appliance 1300 being affixed to the junction box 1320. More specifically, junction box 1320 may include wires for connection to a part of the notification appliance 1300, such as to the terminal block of the notification appliance. After the wires from the junction box 1320 are connected to the notification appliance 1300, the notification appliance 1300 is connected to the junction box 1320. In one embodiment, the notification appliance 1300 includes back cover 616, main PCB 614, front housing 610, LED PCB 608, and optic 604. In this regard, after inserting screws 1312, 1314 into the junction box, the major portions of the notification appliance (including back cover 616, main PCB 614, front housing 610, LED PCB 608, and optic 604) may be threaded through screws 1312, 1314 via holes 1308, 1310. In this instance, the mounting of the notification appliance may be made easier since the screws are already at least partially installed into the junction box before pressing the notification appliance onto the junction box for mounting. Further, since the entire assembled unit (e.g., all of the parts of the notification appliance 1300 except for the escutcheon) may be threaded through the already mounted screws 1312, 1314, installation of the notification appliance is made easier. More specifically, because the screws 1312, 1314 are already partly screwed into the screw receptacles of junction box 1320, the notification appliance 1300 may be maneuvered using keyholes 1308, 1310 so that the notification appliance 1300 is connected to the junction box 1320. Thereafter, the screws 1312, 1314 may be tightened so that notification appliance 1300 is securely fastened to the junction box 1320. In one embodiment, the screws 1312, 1314 are affixed only partly (and not wholly screwed into) receptacles of the junction box 1320 prior to the wires emanating from the junction box 1320 are attached to the terminal block of the notification appliance 1300. In an alternate embodiment, the screws 1312, 1314 are affixed only partly (and not wholly screwed into) receptacles of the junction box 1320 after the wires emanating from the junction box 1320 are attached to the terminal block of the notification appliance 1300.

This process of partly screwing the screws 1312, 1314 (and then threading the screws 1312, 1314 through holes 1308, 1310 of the notification appliance) is in contrast to positioning the notification appliance 1300 adjacent to the junction box 1320 (and lining holes 1308, 1310 with screw receptacles of the junction box 1320, and inserting screws 1312, 1314 through holes 1308, 1310 into the screw receptacles of the junction box 1320). In the latter case, it may be difficult to line up holes 1308, 1310 with screw receptacles of the junction box 1320 and thread screws through the lined-up holes 1308, 1310 and screw receptacles of the junction box 1320.

FIG. 13F illustrates the connection of the front housing 610 to the back cover 616. Front housing 610 includes two features 1350, 1352, such as protrusions, and back cover 616 includes two recesses 1354, 1356. In connecting the front housing 610 to back cover 616, the two features 1350, 1352 of front housing 610 are dropped down into recesses 1354, 1356 of back cover 616 when the front housing 610 is at an angle to back cover 616. Then, front cover 610 is swung toward back cover 616 until the bottom latch 643 of front housing 610 engages the cutout 1358 in back cover 616.



FIG. 14A illustrates a side view of the LED PCB 608. FIG. 14B illustrates the notification device being connected to junction box 1320 (either directly or using adapter bracket 1200). As discussed above, in one embodiment, multiple LEDs are used in the notification device (such as 2 LEDs, 4 LEDs, etc.). In order to drive the multiple LEDs, an extra energy storage device (such as an extra capacitor) may be used. For example, FIG. 14A shows LED PCB 608 including multiple energy storage devices, illustrated as Capacitor #1 (Cap #1) and Capacitor #2 (Cap #2).

In one embodiment, Capacitor #1 and Capacitor #2 may have the same capacitance and be in parallel, thereby doubling the capacitance. Alternatively, the capacitors may have different capacitance and/or may be in a series configuration. In operation, the notification device will flash the LEDs for a predetermined period (such as 20 mSec) every 1 second or every 2 seconds. The capacitors provide the current to the LEDs for the LEDs to produce the flash.

In order to stay in the same footprint, at least a part of the electronics of the notification device, upon attachment to the junction box 1320, is within the junction box or resides in an interior of the junction box 1320. For example, the additional capacitor may be positioned on the LED PCB 608 such that upon installation of the notification appliance, at least a part of the energy storage device is within the junction box 1320. In one embodiment, to stay in the same footprint, Capacitor #1 is installed on one side of LED PCB 608 and Capacitor #2 is installed on an opposite side of LED PCB 608, such as illustrated in FIGS. 14A-B. In this regard, upon installation of the notification device, at least a part of the electronics of the notification device, such as the energy storage device, is at least partly within the junction box 1320. Alternatively, both capacitors may be installed on an underside of the LED PCB 608 such that, upon installation of the notification appliance, both capacitors at least partly are within the junction box 1320. In still an alternative embodiment, the capacitor may reside entirely within junction box 1320 upon installation of the notification device.

There are instances where it is desirable to test the light output of the notification device. For example, certain standards, such as UL, dictate the light output at certain angles from the LED PCB, such as 0°. However, it may be difficult to determine where the certain angles are. In order to assist in the determination, an optical alignment tool 1500 may be used. FIG. 15A illustrates a front perspective view of optical alignment tool 1500. FIG. 15B illustrates a bottom perspective view of optical alignment tool 1500. FIG. 15C illustrates optical alignment tool 1500 as installed in notification device 600.

Optical alignment tool 1500 includes one or more legs that are configured to connect or snap onto a part of notification device 600. FIG. 15B illustrates four legs 1502, 1504, 1506, 1508. Alternatively, fewer or greater number of legs may be used. As illustrated in FIG. 15B, optical alignment tool 1500 includes two pairs of opposing legs, with 1502 and 1504 being curved, and with 1506 and 1508 being straight.

Front face of optical alignment tool 1500, illustrated in FIG. 15A, include one or more indicia to indicate different angles or points respective to the LED(s) in notification device 600. For example, line "E" is indicative of the vertical centerline of the LED(s). Line "C" is indicative of the horizontal centerline of the LED(s). Line "D" is indicative of a line that is in the same horizontal plane as the LED(s) when installed at an angle. Point "A" is the intersection of line "D" and line "E". Point "B" is the intersection of line "C" and line "E". Thus, using the optic alignment tool

1500 enables easier determination as to various points of potential measurement with respect to the LED(s). The various lines and points illustrated on front face of optical alignment tool are merely for illustration purposes only. The specific lines and points of interest depend on the LED(s) on the LED PCB and also on the angle of installation of the LED PCB.

In one embodiment, it may be advantageous to change the color of the light output from the notification device. For example, the color of the light output may indicate different types of notification. More specifically, a white light output may indicate a fire emergency, whereas an amber light output may indicate an intruder on the premises (or a similar type of mass notification). Rather than have two separate notification devices that output a predetermined and non-changeable frequency range of light (e.g., a first notification device that outputs white light and a second notification device that outputs amber light), the notification device may be configured to dynamically change the frequency range of the light output.

The notification device may be configured to dynamically change the frequency range of the light output in one of several ways. In one embodiment, the change of frequency range may be achieved by mechanically changing optics (e.g., mechanically positioning an optic of amber color on top of the LED(s)). In a second embodiment, the change of the frequency range may be achieved by electrically changing optics (e.g., changing the color of the optic by sending a current through the optic).

FIG. 16A illustrates a block diagram configured to dynamically change the frequency range of the light output by mechanically changing optics. Controller 1600 is configured to send a command to energy device 1606 in order for energy device to power either actuator for optics 1602 and/or LED(s) 1604. FIG. 16B illustrates an expanded block diagram of actuator for optics 1602. Energy device 1606 may comprise capacitor(s), or the like. As illustrated in FIG. 16A, energy device 1606 may power both actuator for optics 1602 and LED(s).

The controller 1600 may receive a command, such as from a fire alarm control panel, from a switch on the notification device, and/or from an operator controlled wireless handheld proximate to the notification device. The command may indicate a particular wavelength band. In response to receiving the command, the controller may command the actuator 1602 to effect the command.

The notification device may include a plurality of optics, such as a clear optic, an amber optic, and a blue optic. The plurality of optics may be positioned on a movable wheel, whereby a selected optic may be pressed into contact with LED PCB 608. As illustrated, for example, in FIGS. 6E-F, the LEDs may be proximate to the optic. In this regard, when mechanically moving the optic, one may first disengage the optic, such as by moving the optic in a direction perpendicular to the plane formed by the LED PCB 608. In this regard, when it is desired for another optic to be pressed into contact with LED PCB 608, functionality for disengaging the optic 1610 may be used to disengage the current optic from contact with LED PCB 608. Thereafter, functionality for moving new optic into place 1612, which may comprise a cam or a solenoid, may move the movable wheel (either clockwise or counter-clockwise) until the desired optic is positioned over LED PCB 608. Finally, functionality for engaging the new optic 1614 may then press the desired optic into contact with LED PCB 608 to engage the desired optic with LED PCB 608.



As discussed above the notification device may include an escutcheon, which may sit on top of front housing **610**, may likewise move. Thus, when moving the optic, at least a part of the escutcheon may move as well. For example, the escutcheon may include a flap, which may be moved upward (e.g., in the direction perpendicular to and away from the plane formed by the LED PCB **608**). The new optic may be moved into position, and then engaged. Similar, upon engaging the new optic, the flap of the escutcheon may likewise move back into place (e.g., in the direction perpendicular to and toward the plane formed by the LED PCB **608**).

As discussed above, another manner in which to change the color of the light output is by modifying the color of the optic electrically. FIG. **16C** illustrates using an electrically alterable lens in order to configure the strobe to operate at one of the first wavelength band or the second wavelength band. FIG. **16D** illustrates the notification device using the electrically alterable optic depicted in FIG. **16C** in order to configure the notification device to operate at one of the first wavelength band or the second wavelength band.

Optic **1650** may include an electrically alterable layer **1652**. For example, the optic **1650** may comprise a liquid layer (such as **1652**) sandwiched between two layers of glass or other suitable material. Alternatively, a film (instead of a liquid layer) may be used, comprising a treated material applied to the film or a chemical layer between two films. The color of the optic **1650** may be controlled via a control wire **1654** attached to the layer. For example, the electrically alterable layer **1652** may be heated using control wire **1654**, causing a molecular change in the liquid, and thereby allowing different light wave lengths to pass and to be blocked. Alternatively the color of the optic could be altered by a current flowing through the film layer via control wire **1654**, causing a molecular change in the film allowing different light wavelengths to pass and to be blocked. Thus, the control wire **1654** may cause tinting or shading of the optic **1650**.

As discussed above, the command may indicate a particular wavelength band. The controller **1660** may send a signal to an optic configuration circuit **1666** indicating the wavelength band or color for the optic **1650**. Based on the signal from the controller **1660**, the optic configuration circuit **1666** may generate a control signal and send it on the control wire **1654**. The control wire **1654** may then be used to change the color of the optic **1650** from clear to amber or amber to clear. Though amber and clear colors are described, other colors may be used as well. Further, as shown in FIG. **16D**, the notification appliance may only consist of one or multiple LEDs **1664** and a single LED drive circuit **1662** to drive the one or multiple LEDs **1664**. Thus, the electronics necessary for the notification device are less than a traditional strobe that requires multiple LEDs and multiple LED drive circuits to output light at different wavelengths.

The command to configure the strobe lens may be received at the notification device along with the command to activate the notification device. In that instance, the controller **1660** may first configure the optic **1650**, and then immediately thereafter activate the notification device (such as by sending a command to the LED drive circuit **1662**, which in turn, activates the one or multiple LEDs. Or, the command to configure the optic may be received at the notification device before the command to activate the notification device. In that instance, the command to configure the optic **1650** may be implemented immediately upon receipt at the notification device. Or, the command may be stored and implemented thereafter (such as when a subsequent command to activate the notification device is

received). For example, a control signal may be sent (such as in a broadcast to multiple notification devices that are non-addressable) in which the control signal is a predetermined pattern indicative of the wavelength band for output on the multiple notification devices.

In notification device that are addressable, this process of changing the color of the optic **1650** may be initiated via communications from the fire alarm control panel **14**. In a non-addressable strobe device, this process of changing the color of the optic **1650** may be initiated via an additional wire from the control panel.

As discussed above, the notification device may be installed in a variety of environments and in a variety of ways. For example, the notification device may be installed on a wall, such as illustrated in FIG. **14B**. As another example, the notification device may be installed on a ceiling. FIG. **17A** illustrates an exploded view of one example of a notification device **1700** configured for ceiling mount. The notification device **1700** includes a cover **1702**, optic **1704**, LED PCB **1706**, housing **1708**, speaker **1710**, driver board **1712**, insulator **1718**, and transformer board **1722**. Cover **1702** may be attached to the notification appliance via connection with housing **1708**. For example, housing **1708** may include protrusion(s) **1724** that mate with an underside of cover **1702**. In one embodiment, there are a plurality of protrusions **1724**, such as at 12:00, 3:00, 6:00 and 9:00. One type of mating comprises a snap-fit, whereby protrusion(s) comprise a small lip for hole(s) in cover **1702** to engage. Using a snap-fit allows for attachment without the use of screws, making attachment easier (no tools are required) and less obtrusive.

FIG. **17A** illustrates that the substrate **1714** of the driver board **1712** is crescent moon shaped. In this regard, the driver board **1712** is configured such that, when the speaker **1710** and driver board **1712** are installed in the notification device **1700** (illustrated in FIG. **17B**), the speaker **1710** breaks the plane defined by the substrate **1714** of the driver board **1712**. Further, because the speaker **1710** is installed off-center from the housing (see FIG. **18A**), the driver board **1712** may be installed. In one embodiment, the speaker **1710** is installed to one side of the housing, and the driver board **1712** may be installed to another side of the housing (e.g., the center of the speaker **1710** may be off-center of the housing on one side and the center of the driver board may be off-center on an opposite side). In an alternate embodiment, the speaker **1710** is installed to one side of the housing, and the driver board **1712** may be installed such that the driver board **1712** is centered in the housing. Thus, at least a part of the driver board **1712** is around at least a part of the speaker (e.g., the substrate **1714** at least partly encircles a part of the speaker). This allows for a more compact assembly of the notification device **1700**, and thereby a smaller depth notification device. Further, the speaker **1710** may be offset (such as discussed below with respect to FIGS. **21A-B**), thereby allowing the driver board to be positioned in a larger area around the speaker **1710**.

The electronics may be arranged on the substrate **1714** of the driver board **1712** such that the speaker **1710** can break the plane defined by the driver board **1712**. For example, capacitor(s) **1716** may be arranged on an underside (relative to the speaker **1710**) of the substrate **1714**. When installed, parts of the driver board **1712** (such as the capacitor(s) **1716**) and at least a part of the speaker **1710** may sit within a cavity **1720** of insulator **1718**. Insulator **1718** may be configured to insulate various parts of the notification device, such as the capacitor(s) **1716** and the magnet within speaker **1710** from the electrical junction box. For example, FIG. **17A** shows



capacitor(s) 1716 are stood up on the underside of the substrate 1714. The insulator 1718 may be molded such that the capacitors may sit within insulator 1718. In this regard, the insulator creates an electrical barrier between electrical components installed on the driver board 1712 from wiring in the junction box. More specifically, insulator 1718 may keep transformer board 1722 and part or all of driver board 1712 (such as capacitors 1716) conductively separate. In one embodiment, when installed within the electrical junction box, at least a part of the capacitor(s) 1716 may be contained within the electrical junction box, such as illustrated in FIG. 14B.

FIG. 17C illustrates an exploded view of another example of a notification device 1750 configured to ceiling mount. The notification device 1750 includes a cover 1752, optic 1754, LED PCB 1756, housing 1758, speaker 1760, driver board 1762, insulator 1768, transformer board 1772, and junction box 1774.

The substrate 1764 of the driver board 1762 is rectangular shaped with a small cutout. In this regard, the driver board 1762 is configured such that, when the speaker 1760 and driver board 1762 are installed in the notification device 1750, the speaker 1760 breaks the plane defined by the substrate 1764 of the driver board 1762.

FIG. 17C illustrates an arrangement of the electronics on the substrate 1764 of the driver board 1762 slightly different from the arrangement illustrated in FIG. 17A. The capacitor (s) 1766 may be arranged on a topside (relative to the speaker 1760) of the substrate 1764. When installed, a part of the speaker 1710 (but not a part of the driver board 1762) may sit within a cavity 1770 of insulator 1768.

Transformer board 1772 may include on a backside (the side that faces the junction box) one or more switches to configure the notification appliance. The switches may be used to configure part or all of the notification appliance. For example, in a notification appliance that includes a speaker, such as illustrated in FIG. 17C, the speaker settings may be programmed using the switch(es) on the backside of transformer board 1772.

FIG. 18A illustrates a front view of the notification device with the cover 1702 removed. As discussed above, the notification device may include one or more input devices. FIG. 18A illustrates multiple input devices 1802 (dip switch input configured to set an address), 1804 (candela switch configured to input the candela setting). The housing device of the notification device allows for easy access to the various input devices 1802, 1804. FIG. 18B illustrates a part of the notification device with the front cover 1702. A hole in the front cover 1702, 1752 enables viewing of the candela setting on input device 1804.

The housing 1708 may be modeled such that a part of the housing includes one or more light pipes. FIG. 19A illustrates front view of the housing 1708 of the notification device 1700. FIG. 19B illustrates an expanded view of a portion of FIG. 19A, including light pipe 1904, which may be a part of the housing. In one embodiment, the housing 1708 may be a single molded piece that include the light pipe 1904. For example, the housing 1708 may be partly or completely composed of clear plastic to act as a light pipe 1904 in designated areas. In this regard, the light pipe 1904 may provide at least some structural support to the housing 1708. The light pipe 1904 may be configured to transmit light from LED PCB 1706 and optic 1704 to a light sensor (not shown) on the driver board 1712.

FIG. 20A illustrates a back view of the housing 1708 of the notification device 1700. FIG. 20B illustrates an expanded view of a portion of FIG. 20A, including light pipe

2002, which, similar to light pipe 1904, may be a part of the housing. The light pipe 2002 may transmit light from a communications LED (e.g., an LED indicator) on the driver board 1712, through the cover 1702, to a person inspecting the notification device 1700.

FIG. 21A illustrates a front view of the housing 1708 and the speaker 1710 of the notification device 1700. The housing may include one or more support elements. FIGS. 20B and 21A illustrate a plurality of support elements, such as 2004, 2006, 2008, 2010, 2012. The speaker 1710 is mounted behind the housing 1708. In this regard, the output from the speaker 1710 is at least partly blocked by the various parts within the notification device 1700, such as parts of the housing (e.g., 2004, 2006, 2008, 2010, 2012), the optic 1704, and the LED PCB 1706. In order to reduce blocking the output from the speaker 1710, the speaker 1710 is positioned within the notification device 1700 to be off-center. As shown in FIG. 21A, speaker 1710 includes a center portion 2102. The center portion 2102 typically is the position where the voice coil of the speaker resides. In this regard, the center portion 2102 is typically the part that generates the most audio output. Offsetting the positioning of the speaker 1710 reduces blockage of the center portion 2102 from different parts of the notification device 1700, thereby increasing the effective output of the speaker 1710.

FIG. 21B illustrates a back view of the electrical junction box 2104 and the notification appliance 1700, including the housing 1708 and the speaker 1710 of the notification device 1700. The positioning of the speaker 1710 within the notification appliance enables improvement of use of the interior space within the electrical junction box 2104. As discussed above, various parts of the notification appliance 1700 may be contained within the electrical junction box 2104, such as part of the driver board 1712 (e.g., at least a part of capacitor(s) 1716) and/or at least a part of speaker 1710 (e.g., the back part of the speaker 1710 that includes the magnet). Using the configuration as illustrated in FIGS. 17A-B and 21A-B enables a more efficient placement of different parts of the notification device into the volume within the electrical junction box 2104.

FIG. 22 illustrates the notification device 1700 with the cover 1702 attached and installed within the electrical junction box 2104. The cover 1702 includes holes 2202 which may be dispersed symmetrically around the cover 2104. As shown, the speaker 1710 is positioned off center. In this regard, the position of the speaker 1710 is asymmetrical with respect to the cover 2104 and with respect to the holes 2202 in the cover 2104.

The ceiling mounted notification appliance may likewise be weatherproofed in one of several ways. In one way, the optic Similar to the wall-mounted notification appliance (See FIGS. 10C-D), the ceiling mounted notification appliance may include a seal (such as gasket 1022) between the optic and the escutcheon.

While the invention has been described with reference to various embodiments, it should be understood that many changes and modifications can be made without departing from the scope of the invention. It is therefore intended that the foregoing detailed description be regarded as illustrative rather than limiting, and that it be understood that it is the following claims, including all equivalents, that are intended to define the spirit and scope of this invention.

The invention claimed is:

1. An adapter bracket, comprising:

a substantially rectangular member defining an opening, the substantially rectangular member including four sides with a first set of opposing sides and a second set



31

of opposing sides, the second set of opposing sides comprises a top of the adapter bracket and a bottom of the adapter bracket;

a first connector comprising an adapter bracket screw receptacle configured to engage a screw traversing through a first hole of a notification appliance, the first connector on the bottom of the adapter bracket;

a second connector configured to engage a second hole of the notification appliance, the second connector on the top of the adapter bracket;

a first hole of a first side of the first set of opposing sides configured to align with a first junction box screw receptacle of a first type of junction box;

a second hole of a second side of the first set of opposing sides configured to align with a second junction box screw receptacle of the first type of junction box;

a first sidebar connected to a first inner side of the substantially rectangular member defining the opening; and

a second sidebar *discrete from the first sidebar, the second sidebar* connected to a second inner side of the substantially rectangular member defining the opening;

the second connector is a different type of connector than the adapter bracket screw receptacle and is configured to engage the second hole of the notification appliance by sliding the second hole onto the second connector without a tool.

2. The adapter bracket of claim 1, wherein the first hole of the first side of the first set of opposing sides and the second hole of the second side of the first set of opposing sides go through the adapter bracket from a first side to a second side of the adapter bracket;

wherein a first screw traverses the first hole of the first side of the first set of opposing sides from the first side to the second side of the adapter bracket and engages the first junction box screw receptacle;

wherein a second screw traverses the second hole of the second side of the first set of opposing sides from the first side to the second side of the adapter bracket and engages the second junction box screw receptacle;

wherein the adapter bracket screw receptacle comprises a threaded standoff positioned on the first side of the adapter bracket; and

wherein the threaded standoff is raised from the first side of the adapter bracket and configured such that an adapter bracket screw does not exit the second side of the adapter bracket.

3. The adapter bracket of claim 1, wherein the adapter bracket is configured to mount the notification appliance to multiple types of junction boxes.

4. The adapter bracket of claim 3, further comprising a third junction box connector.

5. The adapter bracket of claim 4, wherein the adapter bracket includes a second set of holes configured to mate with screw receptacles of the third junction box; and

wherein the second set of holes include a third hole and a fourth hole, the third hole and the fourth hole on opposing sides of the adapter bracket.

6. The adapter bracket of claim 5,

wherein the first hole of the first side of the first set of opposing sides and the second hole of the second side of the first set of opposing sides are positioned at 270° and 90° relative to a center of the opening; and

wherein the third hole and the fourth hole are positioned at 240° and 60° relative to the center of the opening.

32

7. The adapter bracket of claim 1, wherein the first hole of the first side of the first set of opposing sides comprises a keyhole.

8. The adapter bracket of claim 1, wherein the second connector comprises a hook connector.

9. The adapter bracket of claim 1, wherein the first connector comprises a raised connector that is raised from the first side of the adapter bracket and configured to engage the second hole of the notification appliance.

10. An adapter bracket configured to connect a notification appliance to a first type of junction box, the notification appliance comprising a first hole and a second hole configured to attach the notification appliance to a second type of junction box, the first type of junction box including a first junction box screw receptacle and a second junction box screw receptacle, the adapter bracket comprising:

a first connector comprising an adapter bracket screw receptacle configured to engage a screw traversing through the first hole of the notification appliance;

a second connector configured to engage the second hole of the notification appliance;

a first hole configured to align with the first junction box screw receptacle of the first type of junction box;

a second hole configured to align with the second junction box screw receptacle of the first type of junction box;

a substantially rectangular member defining an opening, the substantially rectangular member including four sides with a first set of opposing sides and a second set of opposing sides, wherein one of the first set of opposing sides includes the first hole and another of the first set of opposing sides includes the second hole, wherein one of the second set of opposing sides includes the first connector and another of the second set of opposing sides includes the second connector, and wherein the second connector is a different type of connector than the adapter bracket screw receptacle;

*a first sidebar connected to a first inner side of the substantially rectangular member defining the opening; and*

*a second sidebar discrete from the first sidebar, the second sidebar connected to a second inner side of the substantially rectangular member defining the opening;*

wherein the second connector is configured to enter the second hole of the notification appliance;

wherein the second connector comprises a curved portion configured to hook into the second hole of the notification appliance;

wherein the curved portion is S-shaped and comprises two end sections, a first end section connected to the opening and a second end section, the second end section not bent toward the opening; and

wherein the curved portion, when engaged in the second hole of the notification appliance, is at least partly within the notification appliance.

11. The adapter bracket of claim 10, wherein the opening defines a first plane; and

wherein the second end section defines a second plane, the second plane being parallel to the first plane.

12. An adapter bracket configured to connect a notification appliance to a first type of junction box, the notification appliance comprising a first hole and a second hole configured to attached the notification appliance to a second type of junction box, the first type of junction box including a first junction box screw receptacle and a second junction box screw receptacle, the adapter bracket comprising:



33

a first connector comprising an adapter bracket screw receptacle configured to engage a screw traversing through the first hole of the notification appliance;  
 a second connector configured to engage the second hole of the notification appliance;  
 a first hole configured to align with the first junction box screw receptacle of the first type of junction box;  
 a second hole configured to align with the second junction box screw receptacle of the first type of junction box;  
 an opening defined by a plurality of inner sides of the adapter bracket, wherein the plurality of inner sides comprises a first set of inner sides facing one another and a second set of inner sides facing one another; and  
 one or more sidebars, wherein one of the first set of inner sides includes the first hole and another of the first set of inner sides includes the second hole, wherein one of the second set of inner sides includes the first connector and another of the second set of inner sides includes the second connector, wherein a first of the one or more sidebars is connected to the one of the first set of inner sides, and wherein a second of the one or more sidebars is discrete from the first of the one or more sidebars and is connected to the another of the first set of inner sides.

13. The adapter bracket of claim 12, wherein the one or more sidebars consist of the first of the one or more sidebars and the second of the one or more sidebars.

14. The adapter bracket of claim 12, wherein a length of the first of the one or more sidebars is shorter than a length of the one of the first set of inner sides.

15. The adapter bracket of claim 12, wherein the second connector is a different type of connector than the adapter bracket screw receptacle and engages the second hole of the notification appliance by sliding the second hole onto the second connector without a tool.

16. A junction box and adapter bracket combination comprising:

the junction box comprising:

- a recess that defines a junction box opening;
- a first screw receptacle connected to a first part of the junction box; and
- a second screw receptacle connected to a second part of the junction box;

the adapter bracket comprising:

- a flat portion rectangular in shape that defines an adapter bracket opening, the flat portion comprising a first set of opposing sides and a second set of opposing sides, the second set of opposing sides comprises a top of the adapter bracket and a bottom of the adapter bracket, a size of the adapter bracket opening greater than a size of the junction box opening;
- a first sidebar connected to a first inner side of the flat portion defining the adapter bracket opening;
- a second sidebar discrete from the first sidebar, the second sidebar connected to a second inner side of the flat portion defining the adapter bracket opening;
- a first hole in the flat portion configured to receive a first screw therethrough for receipt in the first screw receptacle;
- a second hole in the flat portion configured to receive a second screw therethrough for receipt in the second screw receptacle, wherein the first hole and the second hole are on opposite sides of the first set of opposing sides;

34

a hook on the top of the adapter bracket and configured to engage an opening from a notification appliance for a first connection point to the notification appliance; and

an adapter bracket screw receptacle on the bottom of the adapter bracket and configured to receive a screw from the notification appliance for a second connection point to the notification appliance.

17. The junction box and adapter combination of claim 16, wherein the adapter bracket screw receptacle comprises a raised connector that is raised from the first side of the adapter bracket and configured to engage the screw from the notification appliance.

18. An adapter bracket comprising:

- a rectangular member defining an opening, the rectangular member including four sides with a first set of opposing sides and a second set of opposing sides, the second set of opposing sides comprises a top of the adapter bracket and a bottom of the adapter bracket;
  - a first connector comprising an adapter bracket screw hole or a raised adapter bracket standoff, the first connector on the bottom of the adapter bracket;
  - a second connector on the top of the adapter bracket;
  - a first hole of a first side of the first set of opposing sides that aligns with a first junction box screw receptacle of a first type of junction box;
  - a second hole of a second side of the first set of opposing sides that aligns with a second junction box screw receptacle of the first type of junction box;
  - a first sidebar connected to a first inner side of the rectangular member defining the opening; and
  - a second sidebar discrete from the first sidebar, the second sidebar connected to a second inner side of the rectangular member defining the opening;
- the second connector is a different type of connector than the adapter bracket screw hole or the raised adapter bracket standoff and engages a second hole of a notification appliance by sliding the second hole onto the second connector without a tool.

19. The adapter bracket of claim 18, comprising: the adapter bracket standoff is threaded.

20. The adapter bracket of claim 18, comprising: the second connector includes a curved portion; and the curved portion, when engaged in the second hole of the notification appliance, is at least partly within the notification appliance.

21. The adapter bracket of claim 18, comprising: the second connector is S-shaped.

22. The adapter bracket of claim 18, comprising: the first sidebar and the second sidebar provide rigidity to the adapter bracket.

23. The adapter bracket of claim 18, comprising: when the adapter bracket is installed in the first type of junction box, the first sidebar is proximate to or contacts the first junction box screw receptacle and the second sidebar is proximate to or contacts the second junction box screw receptacle.

24. The adapter bracket of claim 18, comprising: the first sidebar is on an opposing side of the opening to the second sidebar.

25. The adapter bracket of claim 18, comprising: a first dimension of the opening defined by the rectangular member is greater than a first dimension of an opening of the first type of junction box.



## 35

26. The adapter bracket of claim 18, comprising:  
 a first dimension of the opening defined by the rectangular member is greater than a first dimension of an opening of the first type of junction box; and  
 a second dimension of the opening defined by the rectangular member is less than a second dimension of the opening of the first type of junction box. 5
27. The adapter bracket of claim 18, comprising:  
 the adapter bracket is configured to mount the notification appliance to multiple types of junction boxes. 10
28. The adapter bracket of claim 18, comprising:  
 a third type junction box connector that mates with a screw receptacle of a third type of junction box.
29. The adapter bracket of claim 18, comprising:  
 a third type junction box connector that mates with a screw receptacle of a third type of junction box;  
 the first type of junction box is rectangular in shape; and  
 the third type of junction box is circular in shape. 15
30. The adapter bracket of claim 18, comprising:  
 a first set of holes that mate with screw receptacles of the first type of junction box, the first set of holes include the hole and a second hole, the hole and the second hole on opposing sides of the adapter bracket; and  
 a second set of holes that mate with screw receptacles of a third type of junction box, the second set of holes include a third hole and a fourth hole, the third hole and the fourth hole on opposing sides of the adapter bracket. 20 25

## 36

31. The adapter bracket of claim 18, comprising:  
 a first set of holes that mate with screw receptacles of the first type of junction box, the first set of holes include the hole and a second hole, the hole and the second hole on opposing sides of the adapter bracket; and  
 a second set of holes that mate with screw receptacles of a third type of junction box, the second set of holes include a third hole and a fourth hole, the third hole and the fourth hole on opposing sides of the adapter bracket, the hole and the second hole are positioned at 9:00 and 3:00, the third hole and the fourth hole are positioned at 8:00 and 2:00.
32. The adapter bracket of claim 18, comprising:  
 the hole includes a keyhole.
33. The adapter bracket of claim 18, comprising:  
 an area defined by the opening of the rectangular member is greater than an area of an opening of the first type of junction box.
34. The adapter bracket of claim 18, comprising:  
 the first connector extends in an opposite direction from the opening as the first and second sidebars.
35. The adapter bracket of claim 18, comprising:  
 the first connector includes a tab that hooks the first type of junction box.
36. The adapter bracket of claim 18, comprising:  
 a gasket that seals the notification appliance.
37. The adapter bracket of claim 18, comprising:  
 the opening defined by the rectangular member is square in shape.

\* \* \* \* \*