



US00RE49091E

(19) **United States**
(12) **Reissued Patent**
Fourt et al.

(10) **Patent Number: US RE49,091 E**
(45) **Date of Reissued Patent: Jun. 7, 2022**

(54) **AUTOMATIC INJECTION DEVICE AND A BUTTON THEREOF**

(71) Applicant: **Eli Lilly and Company**, Indianapolis, IN (US)

(72) Inventors: **Jesse Arnold Fourt**, Menlo Park, CA (US); **Thomas Dieter Christian Overthun**, San Francisco, CA (US); **Judy Guo**, San Francisco, CA (US); **Thomas Gaëtan Thibault Brisebras**, San Francisco, CA (US)

(73) Assignee: **Eli Lilly and Company**, Indianapolis, IN (US)

(21) Appl. No.: **29/672,419**

(22) Filed: **Dec. 5, 2018**

Related U.S. Patent Documents

Reissue of:

(64) Patent No.: **Des. 773,650**
Issued: **Dec. 6, 2016**
Appl. No.: **29/530,811**
Filed: **Jun. 19, 2015**

(51) **LOC (13) Cl.** **24-02**

(52) **U.S. Cl.**
USPC **D24/113**

(58) **Field of Classification Search**
USPC D24/112, 113, 114, 108, 127, 130, 133
(Continued)

(56) **References Cited**

U.S. PATENT DOCUMENTS

D192,757 S * 5/1962 Foss et al. D9/452
D201,320 S * 6/1965 Hirohama D9/453
(Continued)

FOREIGN PATENT DOCUMENTS

WO 2007002052 1/2007
WO 2007047200 4/2007
(Continued)

OTHER PUBLICATIONS

Ypsomed-YpsoMate® Brochure.

(Continued)

Primary Examiner — Philip S Hyder

(74) *Attorney, Agent, or Firm* — M. Daniel Spillman

(57) **CLAIM**

The ornamental design for an automatic injection device *and a button thereof*, as shown and described.

DESCRIPTION

This is a reissue of U.S. Design Pat. No. D. 773,650, which issued on Dec. 6, 2016, from U.S. Design patent application Ser. No. 29/530,811, filed Jun. 19, 2015. The entire contents of U.S. application Ser. No. 29/530,811, and U.S. Pat No. D. 773,650 are incorporated herein by reference.

Notice: More than one reissue application has been filed for the reissue of U.S. Pat. No. D. 773,650. The reissue applications are U.S. application Ser. No. 29/674,238, U.S. application Ser. No. 29/674,241, U.S. application Ser. No. 29/674,243, U.S. application Ser. No. 29/674,244, and parent reissue U.S. application Ser. No. 29/672,419 (the present application), all of which are reissues of U.S. Pat. No. D. 773,650.

FIG. 1 is a top perspective view of an automatic injection device showing our new design;

FIG. 2 is a bottom perspective view thereof[.];

FIG. 3 is a front view thereof;

FIG. 4 is a rear view thereof;

FIG. 5 is side view thereof;

FIG. 6 is an opposite side view thereof;

FIG. 7 is a top view thereof; [and,]

FIG. 8 is a bottom view thereof[.];

FIG. 9 is a top perspective view of second embodiment of a button for an automatic injection device showing our new design;

FIG. 10 is a bottom perspective view thereof;

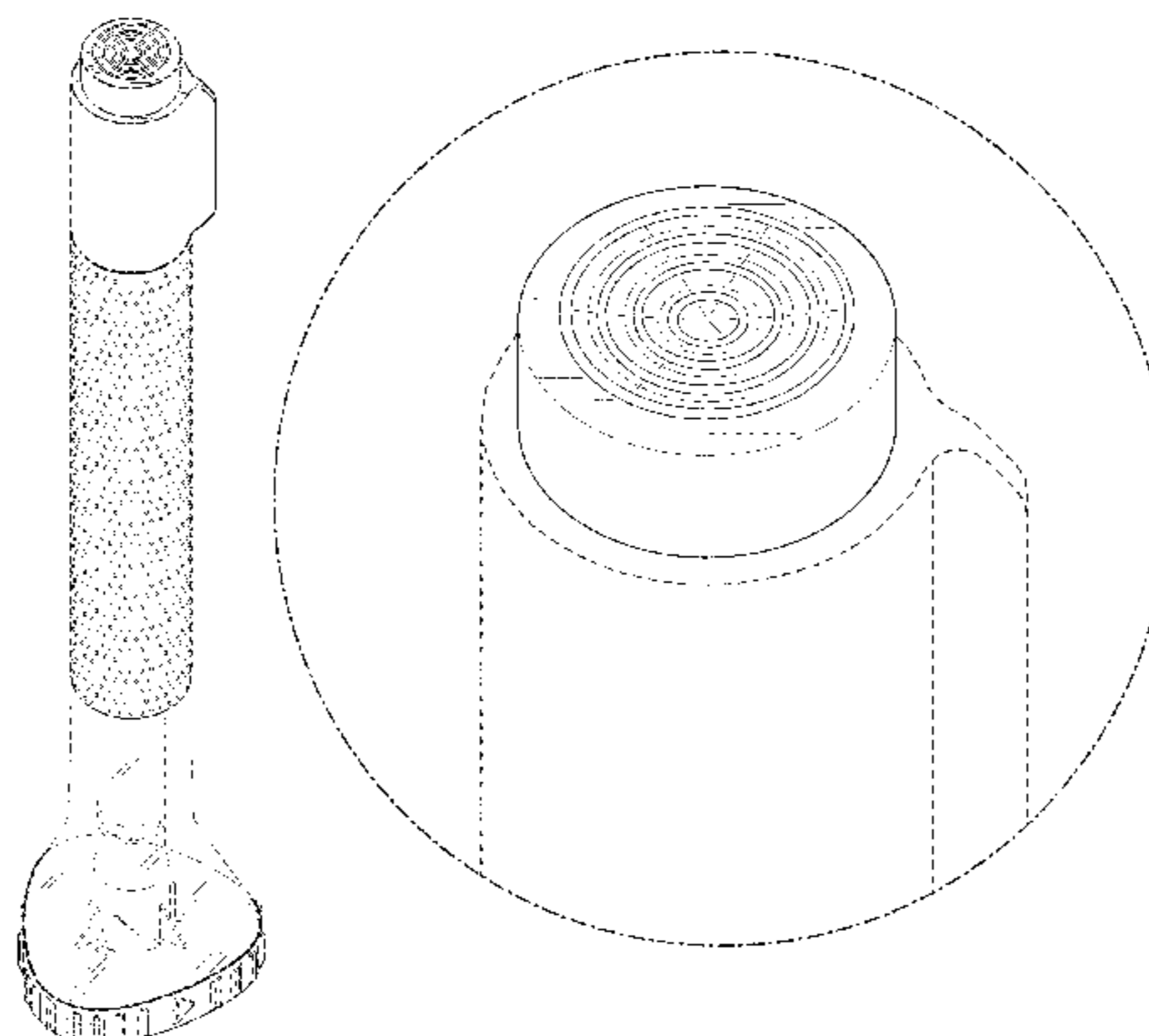
FIG. 11 is a front view thereof;

FIG. 12 is a rear view thereof;

FIG. 13 is side view thereof;

FIG. 14 is an opposite side view thereof;

(Continued)



(Amended)

(New)

FIG. 15 is a top view thereof;
 FIG. 16 is a bottom view thereof; and,
 FIG. 17 is an enlarged, top perspective view, as shown in
 FIG. 9.

The small ovals in the central height region of FIGS. 1-6 show projecting texturing that form part of the claimed design. The broken lines showing internal portions and a bottom portion of the automatic injection device form no part of the claimed design.

1 Claim, 11 Drawing Sheets

Matter enclosed in heavy brackets [] appears in the original patent but forms no part of this reissue; matter printed in italics indicates the additions made by reissue.

(58) **Field of Classification Search**

CPC A61M 5/178; A61M 3/00; A61M 5/20;
 A61M 5/31; A61M 5/3146; A61M
 5/3129; A61M 5/3148; A61M 5/315
 See application file for complete search history.

(56) **References Cited**

U.S. PATENT DOCUMENTS

3,251,372 A * 5/1966 Smith A45B 9/04
 135/86
 4,630,626 A * 12/1986 Urban A45B 9/04
 135/84
 D291,371 S * 8/1987 Stutzer D27/141
 D310,324 S * 9/1990 Bernacchi D8/352
 D316,899 S 5/1991 Andersson et al.
 D330,079 S 10/1992 Dalling et al.
 D362,841 S * 10/1995 Roza D13/171
 D379,922 S * 6/1997 Adams D8/402
 5,711,335 A * 1/1998 Carpinella A45B 9/04
 135/77
 5,743,506 A * 4/1998 Adams A47B 91/00
 248/346.11
 D409,878 S * 5/1999 Burton D7/410
 D420,739 S 2/2000 Moreau-Defarges
 6,055,998 A * 5/2000 Bader A61H 3/0277
 135/68
 D437,835 S * 2/2001 Decosse D13/174
 D461,555 S * 8/2002 Binet D24/114
 D469,411 S * 1/2003 Decosse D13/171
 D471,976 S 3/2003 Pavlu et al.
 D476,078 S 6/2003 Pavlu et al.
 D476,734 S 7/2003 Pavlu et al.
 D483,116 S 12/2003 Castellano

7,159,830 B2 * 1/2007 Frank A45B 9/02
 135/70
 D572,586 S * 7/2008 Medema D9/445
 D594,270 S * 6/2009 Rae D7/354
 7,748,396 B2 * 7/2010 Lasota A61H 3/0288
 135/77
 D628,690 S 12/2010 Galbraith
 7,918,824 B2 4/2011 Bishop et al.
 D642,057 S * 7/2011 Reed D9/453
 D670,375 S 11/2012 Corbin
 D670,376 S 11/2012 Corbin
 D677,380 S 3/2013 Julian et al.
 8,409,138 B2 4/2013 James et al.
 D690,416 S * 9/2013 Cappello D24/112
 D695,892 S * 12/2013 Cappello D24/113
 D696,397 S 12/2013 Guarraia et al.
 D708,317 S 7/2014 Schneider et al.
 D714,932 S * 10/2014 Hall D24/112
 D721,802 S * 1/2015 Ohashi D24/113
 D724,721 S 3/2015 Geert-Jensen et al.
 D728,782 S 5/2015 Dubuc et al.
 D729,930 S 5/2015 Geert-Jensen et al.
 D732,161 S * 6/2015 Ohashi D24/113
 D739,011 S * 9/2015 Morrison, Jr. D24/114
 D740,221 S * 10/2015 Popper D13/103
 D741,472 S * 10/2015 Yotani D24/108
 D743,560 S * 11/2015 Pietrantonio D24/186
 D747,476 S * 1/2016 Kawamura D24/130
 D747,797 S * 1/2016 Fourt D24/114
 D748,270 S * 1/2016 Pietrantonio D24/186
 D752,210 S * 3/2016 Amend Kwasnik D24/113
 D753,950 S * 4/2016 Feeley D7/392.1
 D758,570 S * 6/2016 Wohlfahrt D24/113
 D773,646 S * 12/2016 Amend Kwasnik D24/113
 D804,230 S * 12/2017 Allan D6/716
 D824,763 S * 8/2018 Suess D9/454
 2011/0092915 A1 4/2011 Olson et al.

FOREIGN PATENT DOCUMENTS

WO 2010104779 9/2010
 WO 2011109205 9/2011
 WO 2013032779 3/2013
 WO 2014062488 4/2014

OTHER PUBLICATIONS

Schreiner Group—New Labels with Tamper-Evident and Non-Slip Features Help Enhance Patient Safety(URL: <http://www.schreiner-group.com/3/company/press-room/schreiner-medipharm-us/new-labels-with-tamper-evident-and-non-slip-features-help-enhance-patient-safety/>).
 Unpublished Design U.S. Appl. No. 29/449,492, Eli Lilly and Company, entitled “Automatic Injection Device” filed Mar. 15, 2013.

* cited by examiner

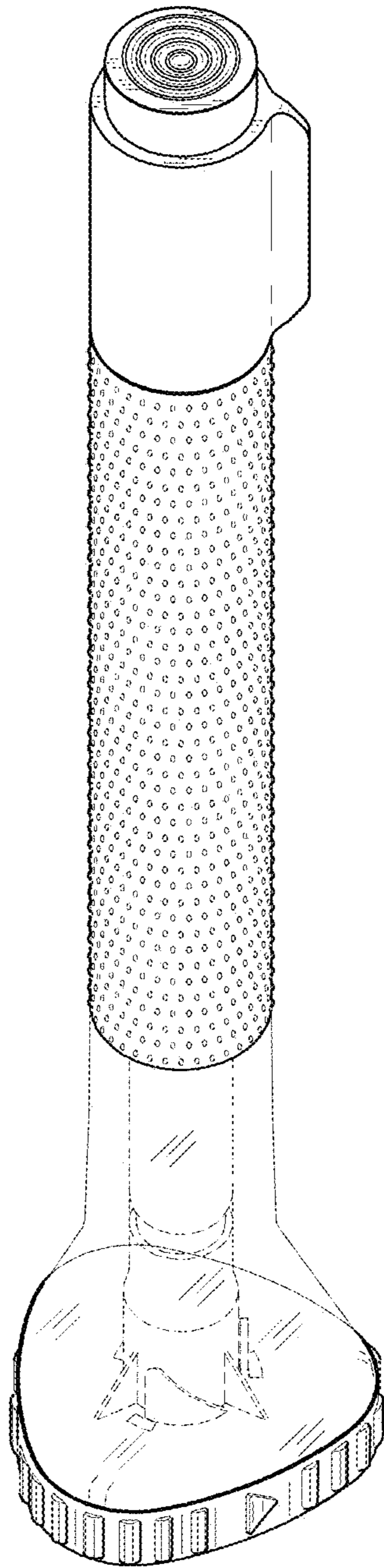


Fig. 1
(Amended)

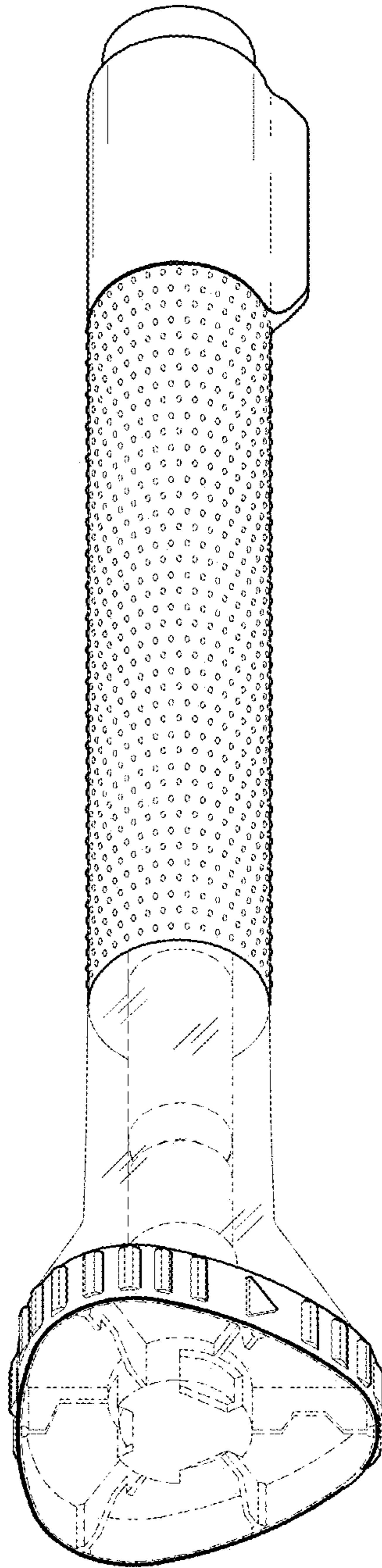


Fig. 2

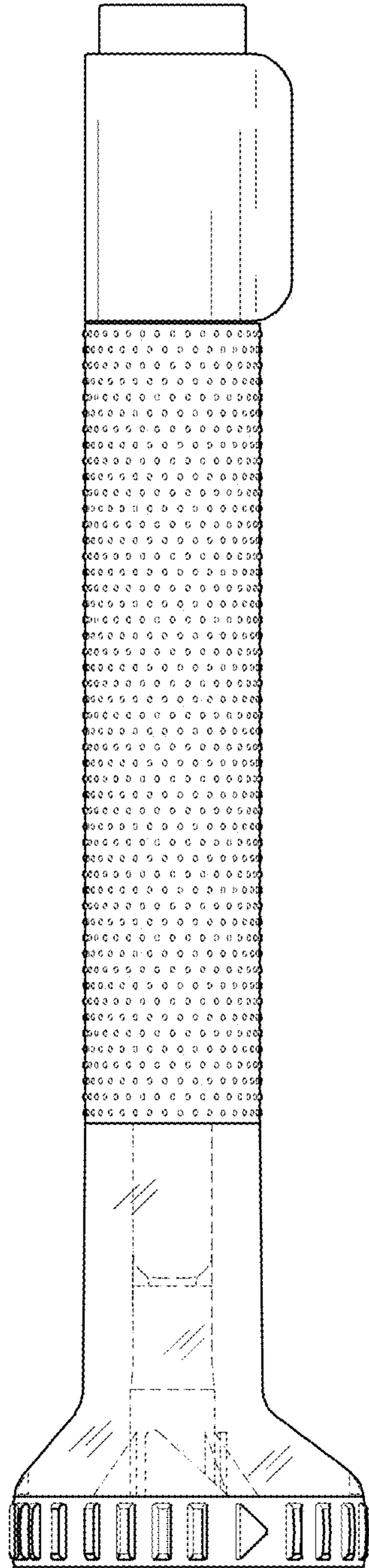


Fig. 3

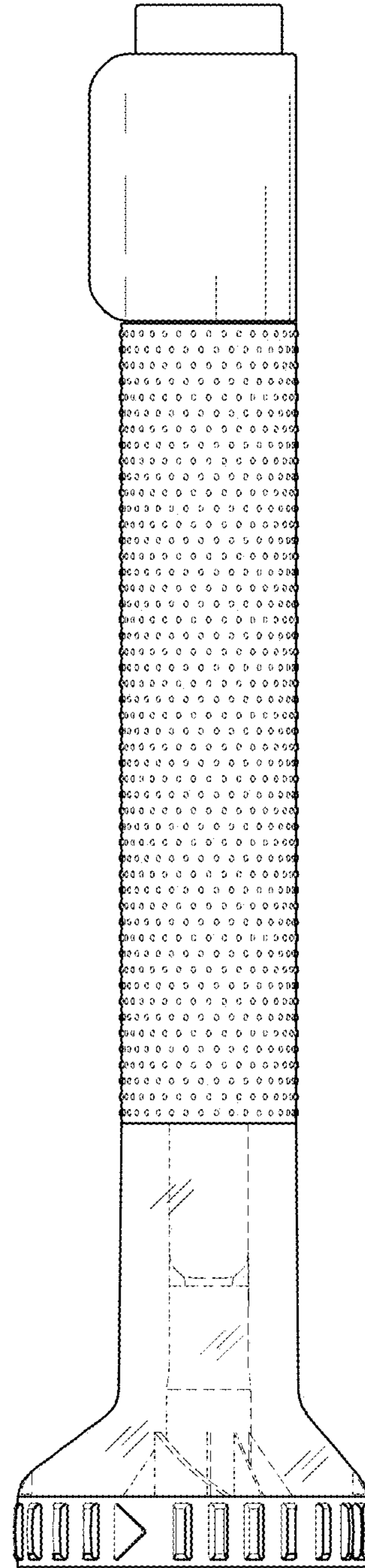


Fig. 4

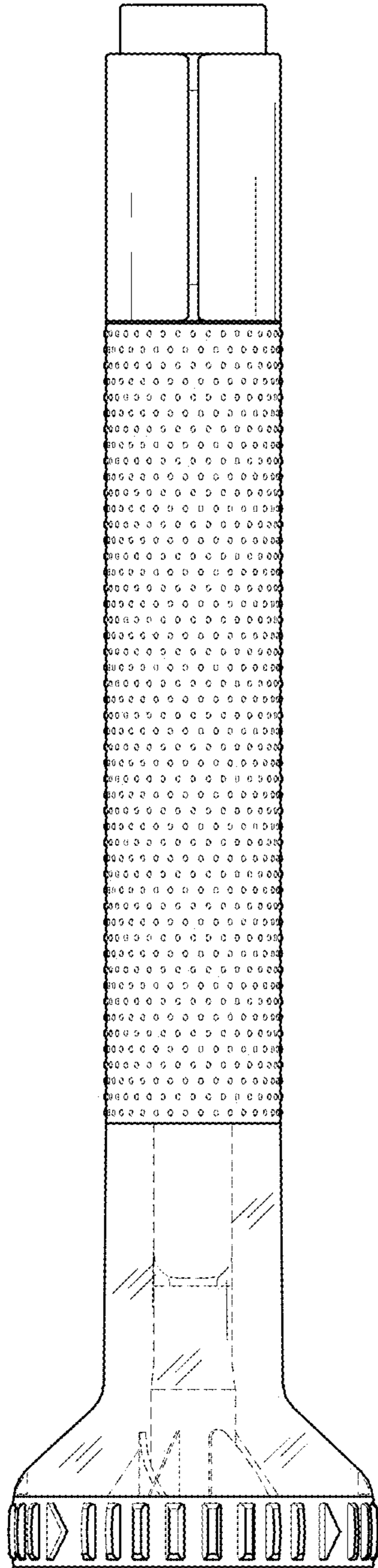


Fig. 5

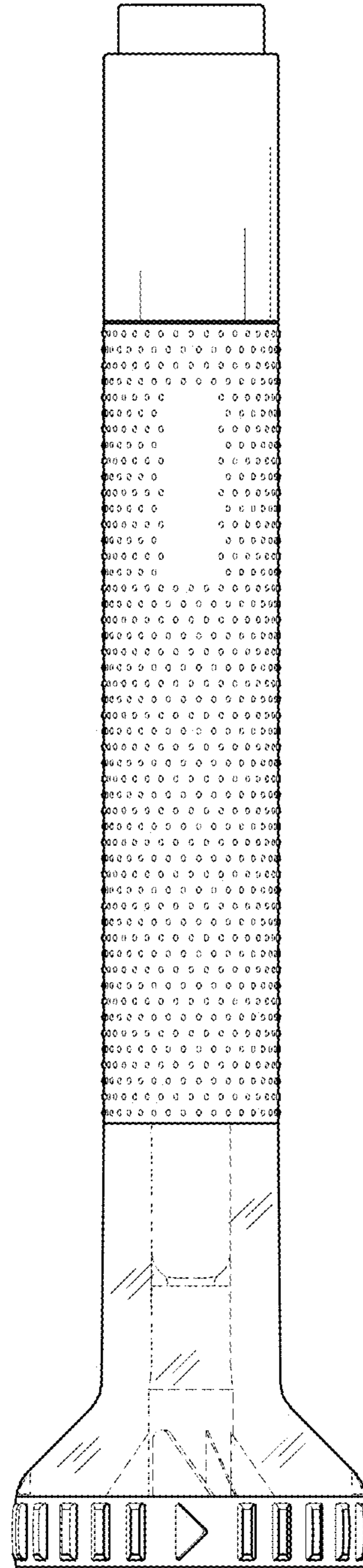


Fig. 6

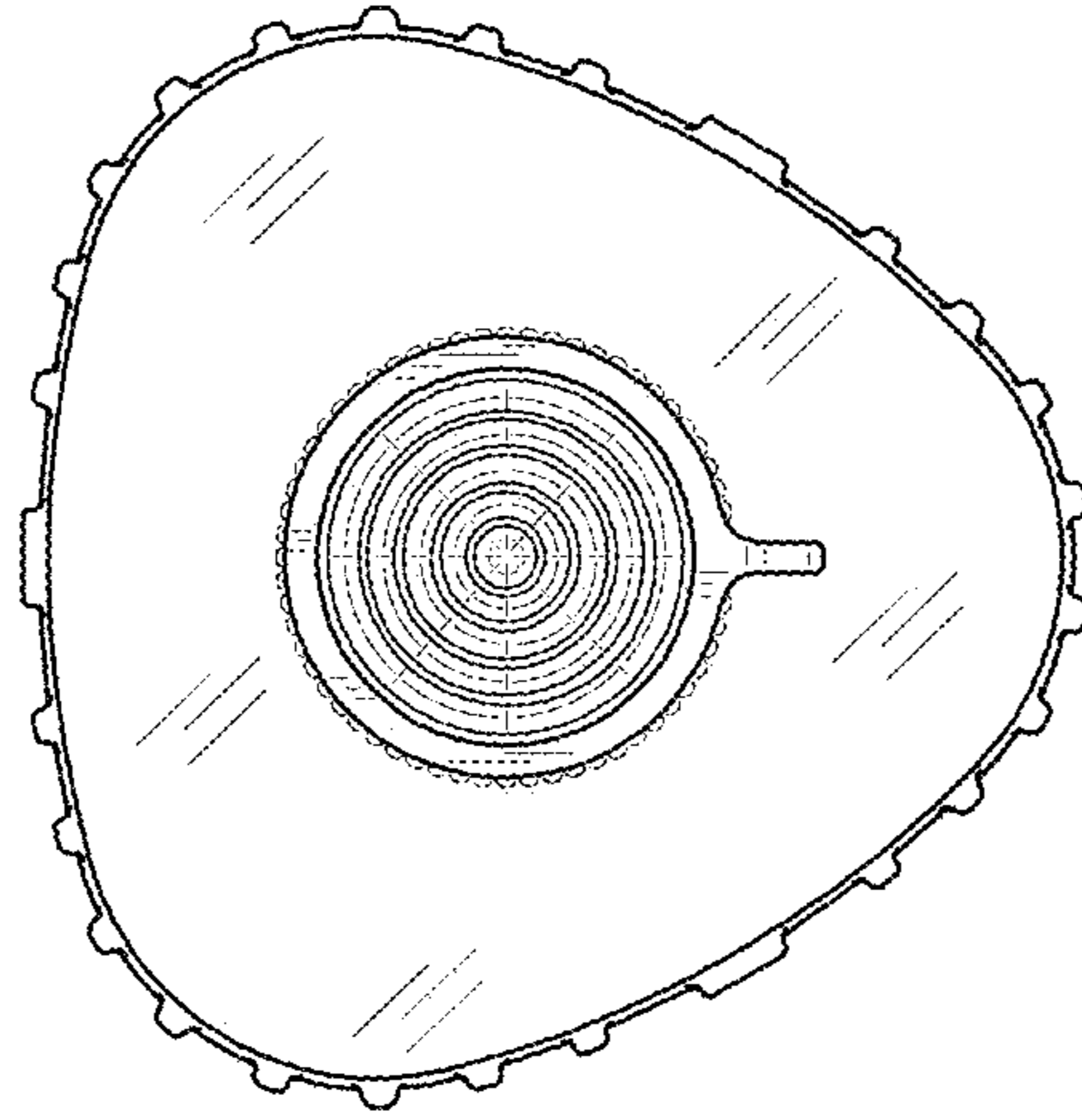


Fig. 7
(Amended)

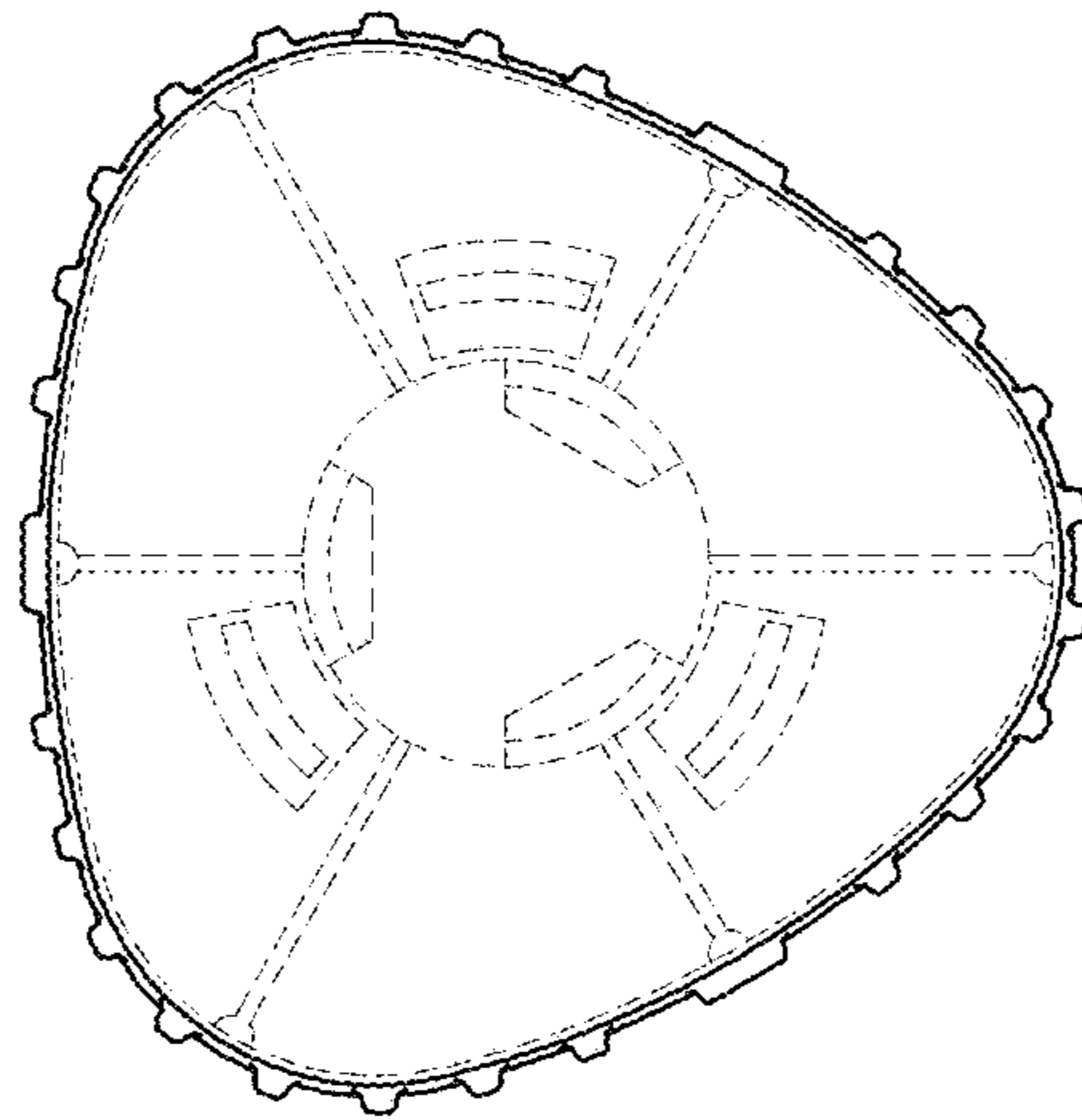


Fig. 8

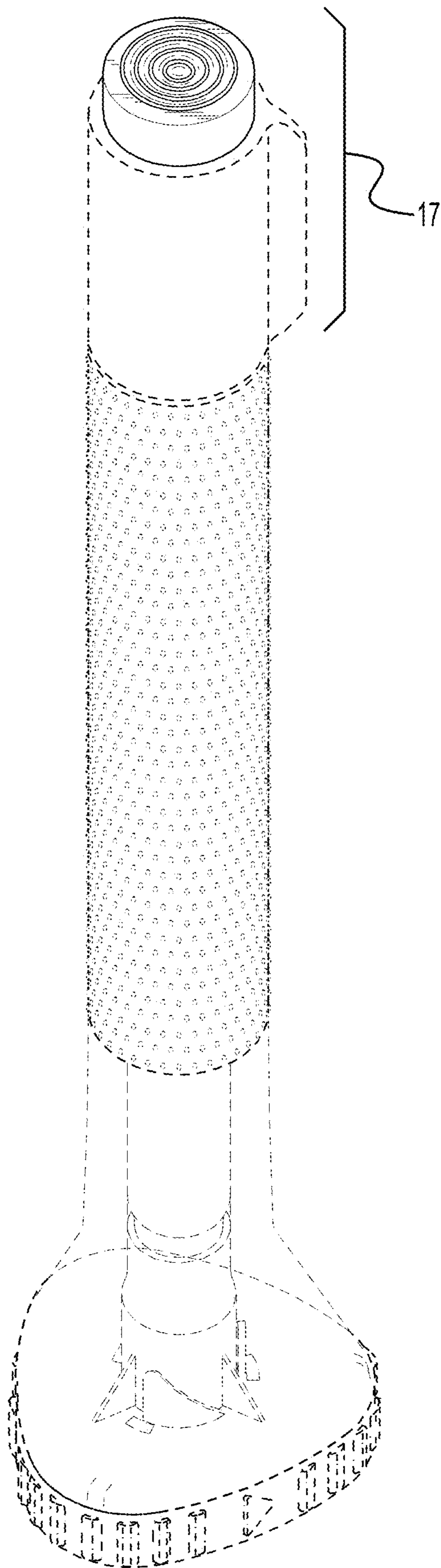


Fig. 9
(New)

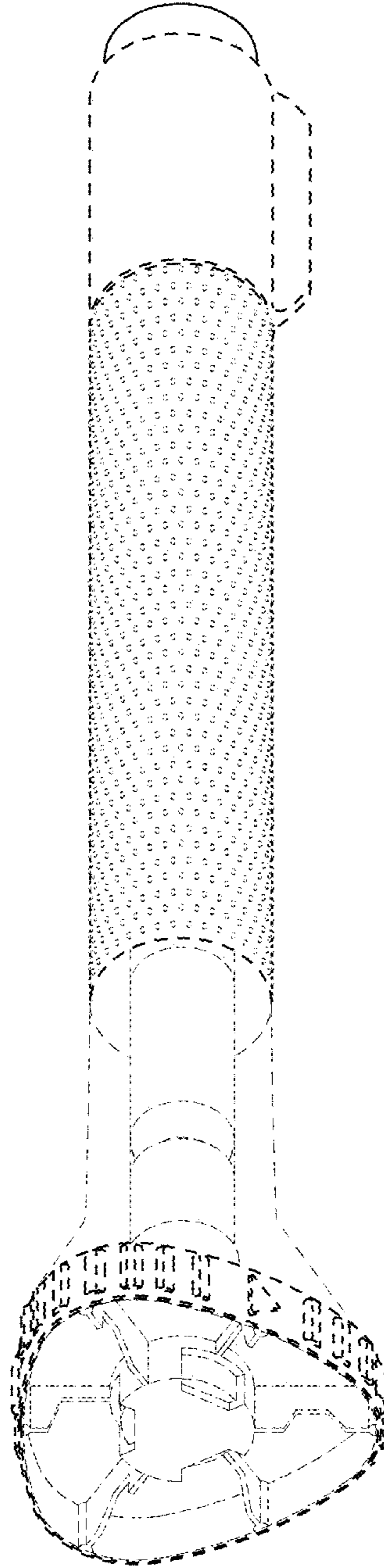


Fig. 10 (New)

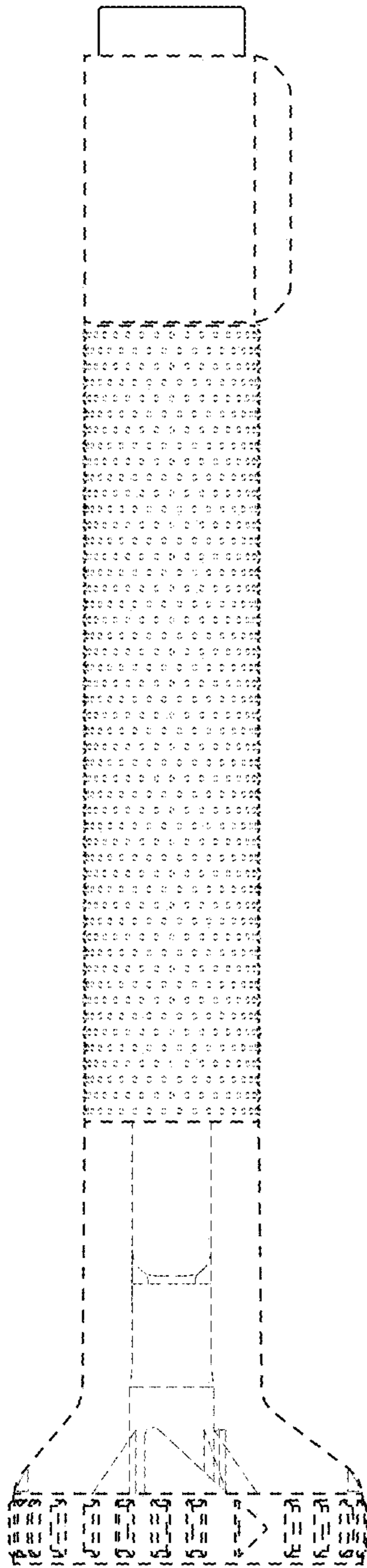


Fig. 11 (New)

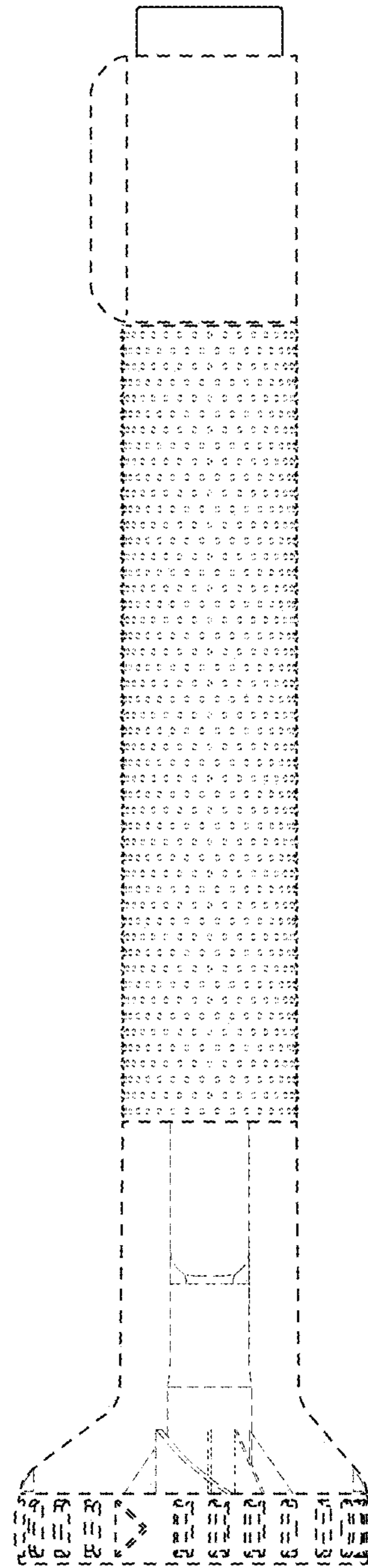


Fig. 12 (New)

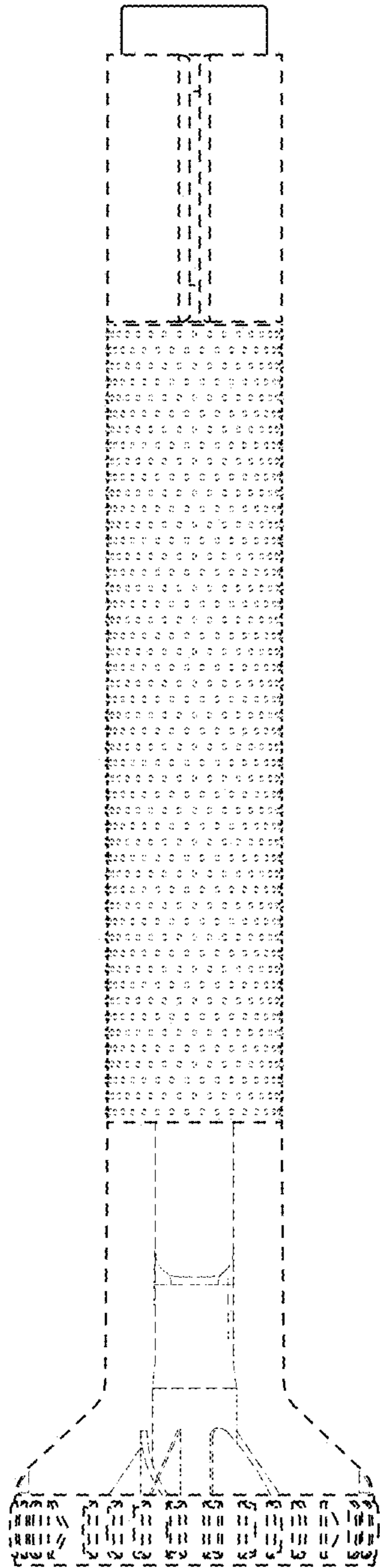


Fig. 13 (New)

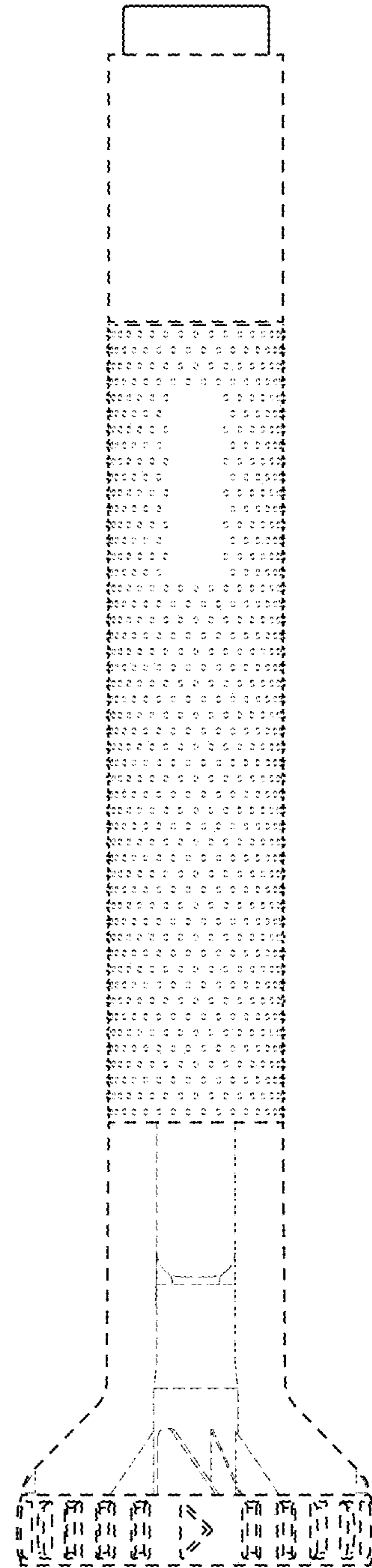


Fig. 14 (New)

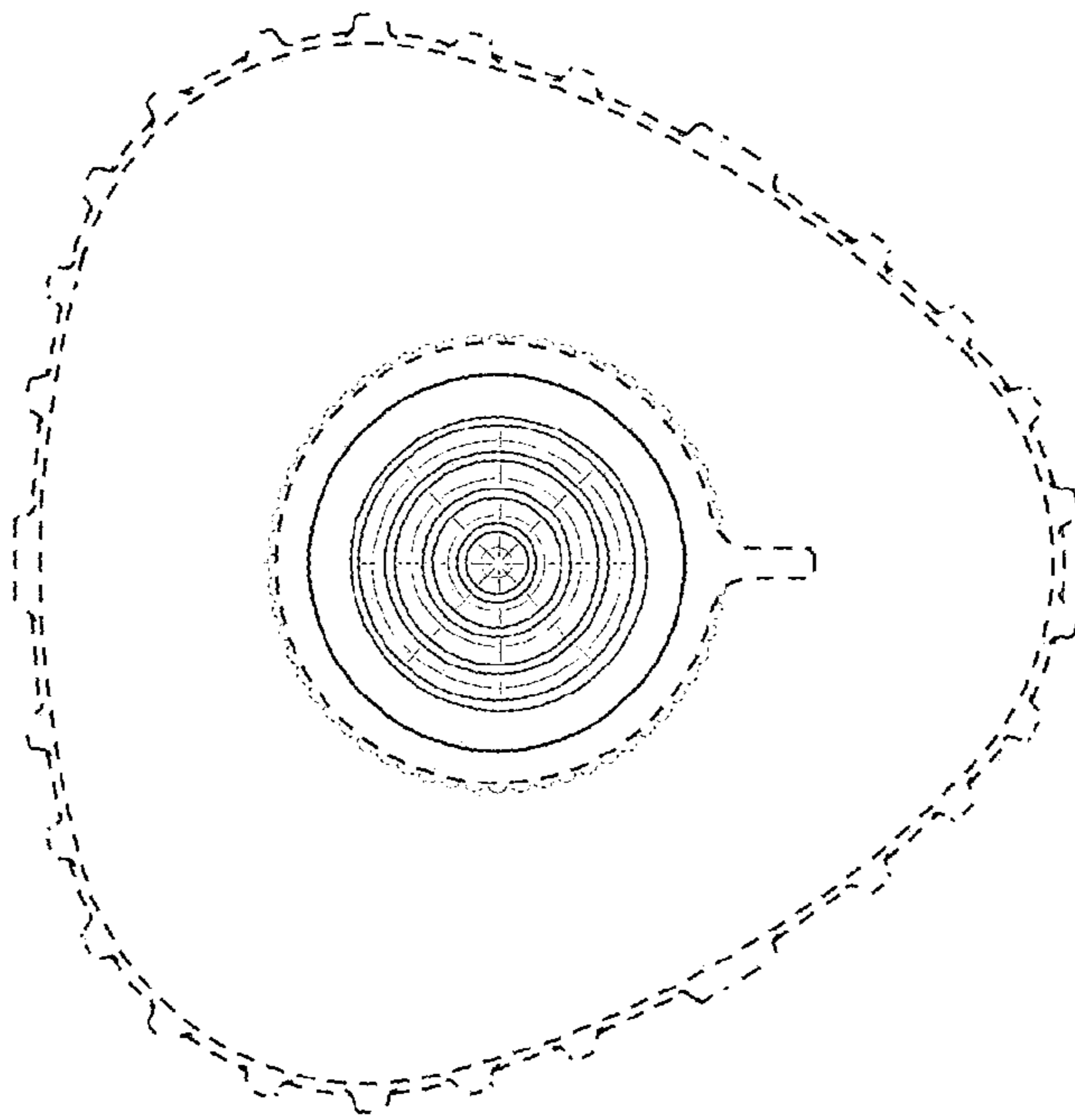


Fig. 15
(New)

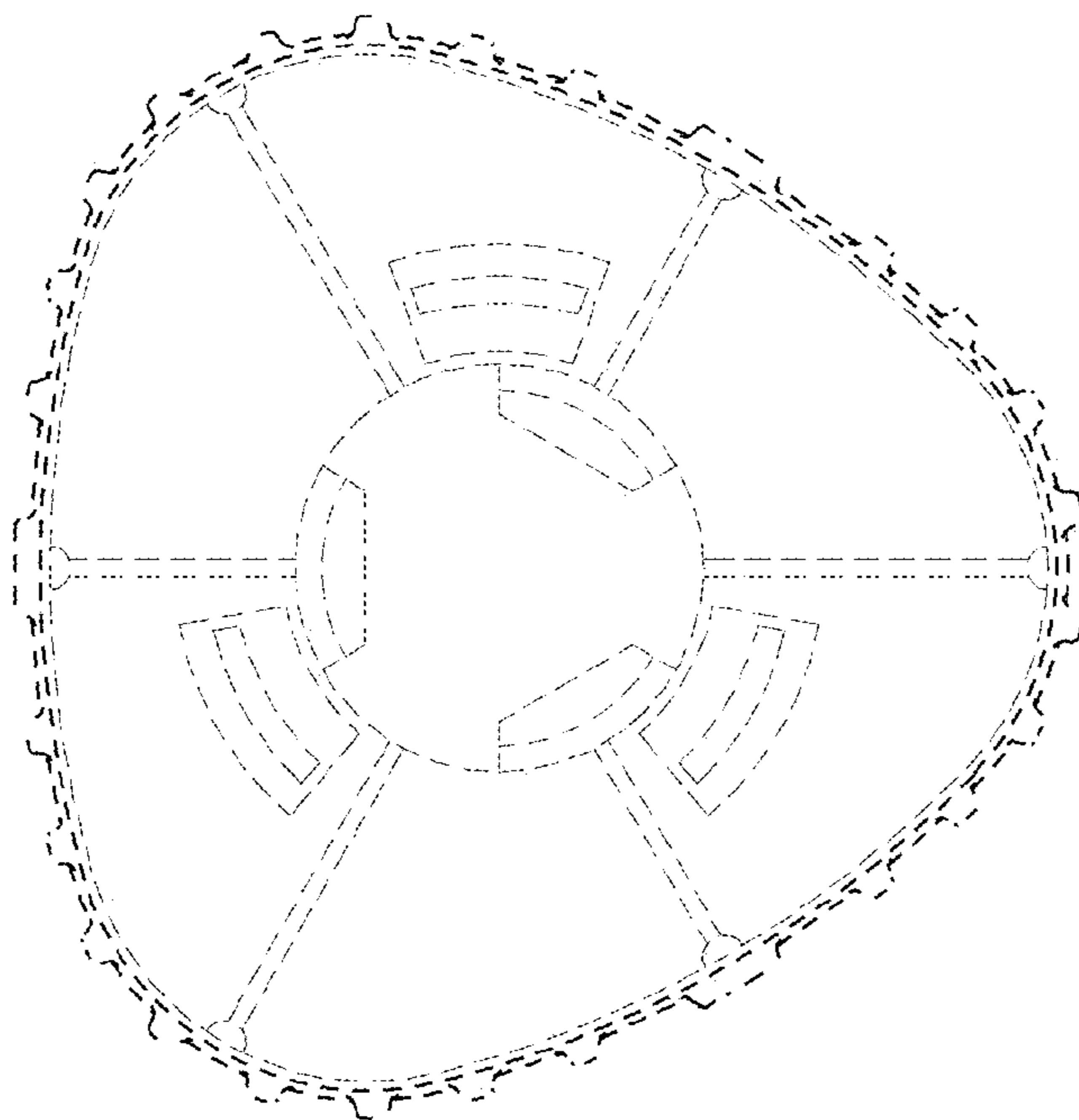


Fig. 16
(New)

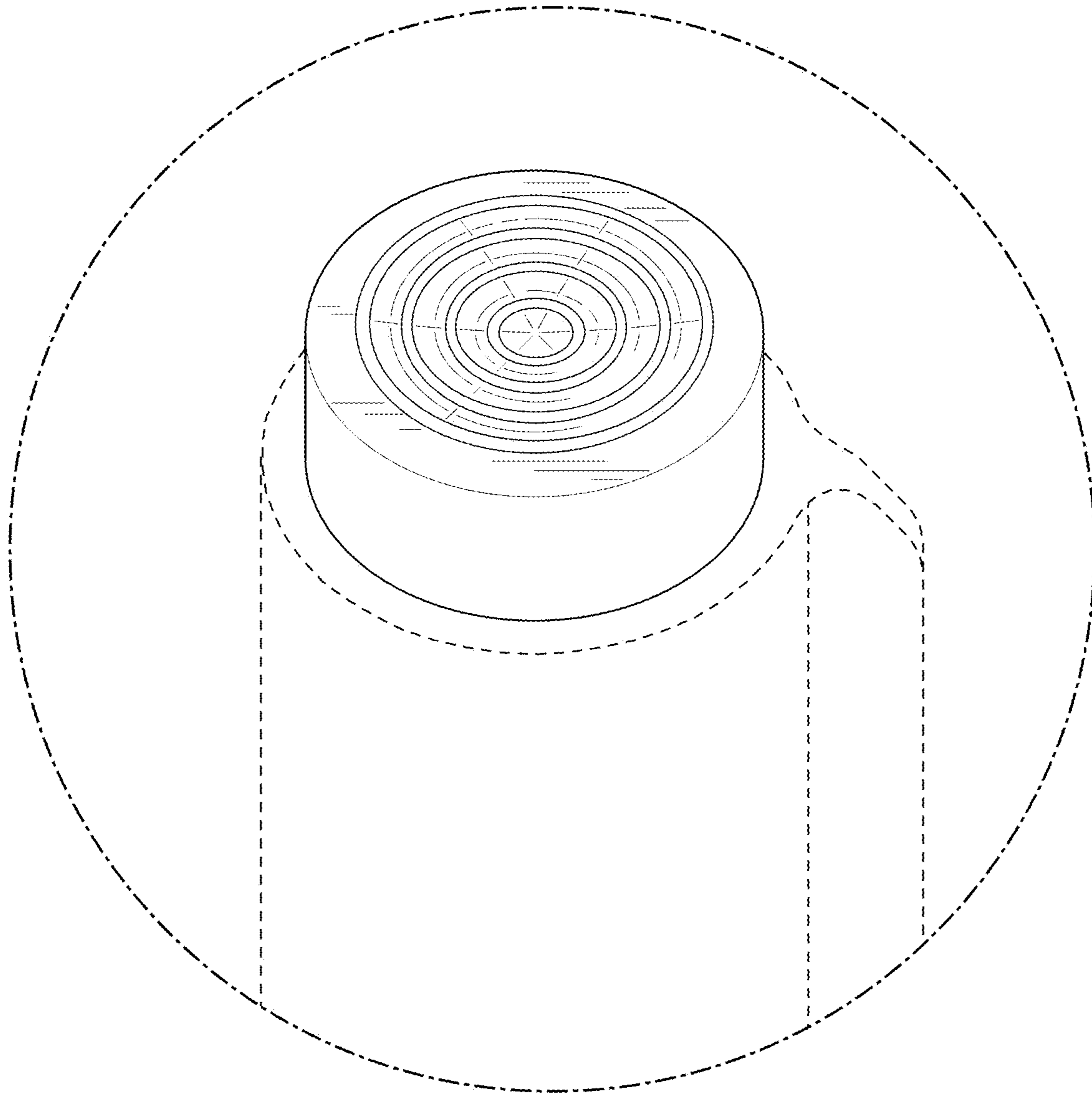


Fig. 17
(New)

UNITED STATES PATENT AND TRADEMARK OFFICE
CERTIFICATE OF CORRECTION

PATENT NO. : RE49,091 E
APPLICATION NO. : 29/672419
DATED : June 7, 2022
INVENTOR(S) : Jesse Arnold Fourt et al.

Page 1 of 1

It is certified that error appears in the above-identified patent and that said Letters Patent is hereby corrected as shown below:

On the Title Page

Under item (57), Column 2, Line 4 of the Description should read, "29/530,811,".

Signed and Sealed this
Twenty-eighth Day of February, 2023



Katherine Kelly Vidal
Director of the United States Patent and Trademark Office