



US00RE49005E

(19) **United States**
(12) **Reissued Patent**
Bergman et al.

(10) **Patent Number: US RE49,005 E**
(45) **Date of Reissued Patent: Apr. 5, 2022**

(54) **TRIPOD CAMERA MOUNT**

(71) Applicant: **GoPro, Inc.**, San Mateo, CA (US)

(72) Inventors: **Senka Agic Bergman**, Montara, CA (US); **Nicholas Vitale**, Foster City, CA (US); **Erik Jorgensen**, San Francisco, CA (US)

(73) Assignee: **GoPro, Inc.**, San Mateo, CA (US)

(21) Appl. No.: **29/797,572**

(22) Filed: **Jul. 1, 2021**

Related U.S. Patent Documents

Reissue of:

(64) Patent No.: **Des. 852,874**
Issued: **Jul. 2, 2019**
Appl. No.: **29/648,880**
Filed: **May 24, 2018**

U.S. Applications:

(63) Continuation of application No. 29/596,331, filed on Mar. 7, 2017, now Pat. No. Des. 822,092.

(51) **LOC (13) Cl.** **16-05**

(52) **U.S. Cl.**
USPC **D16/245**

(58) **Field of Classification Search**
USPC D16/219, 237, 244, 245; D14/238, 253
(Continued)

(56) **References Cited**

U.S. PATENT DOCUMENTS

5,341,185 A * 8/1994 Nakatani F16M 11/28
248/169
D415,805 S 10/1999 Wygonik
(Continued)

OTHER PUBLICATIONS

Luxebell Selfie Stick Telescoping with Tripod Stand Mount for Gopro Hero4 3+ 3. [online] Published on Nov. 8, 2016. Retrieved Jan. 19, 2018 from URL:<http://www.luxebell.net/home/27-1-luxebell->

se lfie-stick-telescoping-with-tripod-stand-mou nt-for-gopro-hero4-3-3-hero-led-session-cell-phones.html (3 pages).

(Continued)

Primary Examiner — Philip S Hyder

(74) *Attorney, Agent, or Firm* — Young Basile Hanlon & MacFarlane, P.C.

(57) **CLAIM**

The ornamental design for a tripod camera mount, as shown and described.

DESCRIPTION

This application is a *broadening reissue of U.S. Pat. No. D. 852,874, which granted from U.S. application Ser. No. 29/648,880, filed on May 24, 2018, which is a continuation of U.S. application Ser. No. 29/596,331, filed on Mar. 7, 2017, now U.S. Pat. No. D. 822,092, the entire [disclosure] disclosures of which [is] are incorporated by reference herein.*

FIG. 1 is a [front, top, and right] *rear, bottom and left perspective view of a tripod camera mount showing the new design;*

FIG. 2 is [a rear, bottom, and left perspective] *front elevation view thereof;*

FIG. 3 is a [front] *rear elevation view thereof;*

FIG. 4 is a [rear] *left side elevation view thereof;*

FIG. 5 is a [left] *right side elevation view thereof;*

FIG. 6 is a [right] *top plan view thereof; and,*

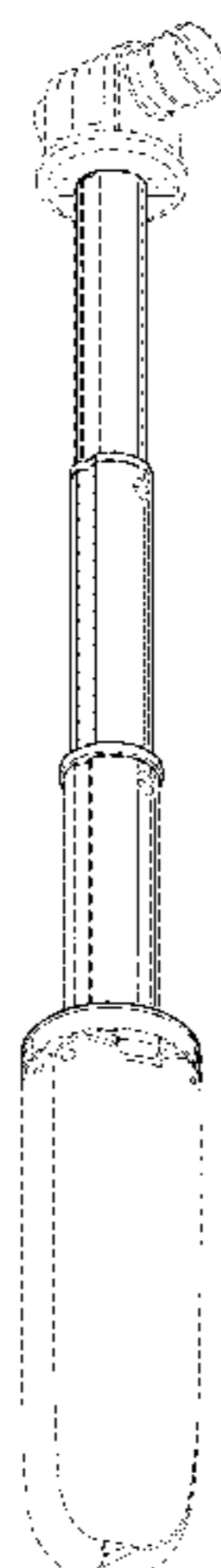
FIG. 7 is a [top] *bottom plan view thereof;* and,

FIG. 8 is a *bottom view thereof*].

The ornamental design which is claimed is shown in solid lines in the drawings. The broken lines in the drawings form no part of the claimed design. Broken lines formed by equal length dashes (i.e., dash-dash) show unclaimed subject matter. Broken lines form by unequal length dashes (i.e., dash-dot) define bounds of the claimed design.

1 Claim, 15 Drawing Sheets

Matter enclosed in heavy brackets [] appears in the original patent but forms no part of this reissue; matter printed in italics indicates the additions made by reissue.



[New]

US RE49,005 E

Page 2

(58) **Field of Classification Search**

CPC F16M 11/046; F16M 11/24; F16M
2200/024; F16M 2200/028

See application file for complete search history.

(56) **References Cited**

U.S. PATENT DOCUMENTS

D463,877 S * 10/2002 Kung D26/38
D505,442 S 5/2005 Watters
D508,938 S 8/2005 Watters
D532,436 S 11/2006 Kruse
D533,578 S 12/2006 Oka
D552,660 S 10/2007 Lee
D620,491 S * 7/2010 Wu D14/411
D632,720 S 2/2011 Barker D16/244
D670,752 S * 11/2012 Barber D16/242
D705,468 S 5/2014 Tompkin
D714,775 S 10/2014 Ahn
D718,365 S 11/2014 Hayashi
D739,456 S 9/2015 Poli
9,298,066 B1 * 3/2016 Fan G03B 17/561
D766,230 S * 9/2016 Shepard D14/253
D772,027 S * 11/2016 Chi Man D8/14

D800,206 S 10/2017 Ham
9,810,974 B2 * 11/2017 Chi G03B 17/561
D821,483 S * 6/2018 Vitale D16/244
D822,092 S * 7/2018 Bergman D16/243
10,047,901 B2 * 8/2018 Hida F16M 11/242
D857,085 S * 8/2019 Yamaguchi D16/244
D860,298 S * 9/2019 Balmer D16/244
2005/0092878 A1 * 5/2005 Murray G01C 15/002
248/171
2017/0370518 A1 * 12/2017 Hida F16M 11/2021
2019/0128469 A1 * 5/2019 Lu F16M 11/2064

OTHER PUBLICATIONS

Smatree Go Pro Accessories—Smapole Q3 Telescoping Go Pro Pole. [online] Retrieved Jan. 19, 2018 from URL:[https:// www. alibaba.com/product-detail/Smatree-Go-pro-Accessories-SmaPole-Q3-60258252130.html](https://www.alibaba.com/product-detail/Smatree-Go-pro-Accessories-SmaPole-Q3-60258252130.html) (14 pages).

Luxebell Selfie Stick Telescoping with Tripod Sand Mount for Gopro Hero4 3+3. [online] Published on Nov. 8, 2016. Retrieved Jan. 19, 2018 from URL:<http://www.luxebell.net/home/27-luxebell-selfie-stick-telescoping-with-tripod-stand-mount-for-gopro-hero4-3-3-hero-led-session-cell-phones.html> (3 pages).

* cited by examiner

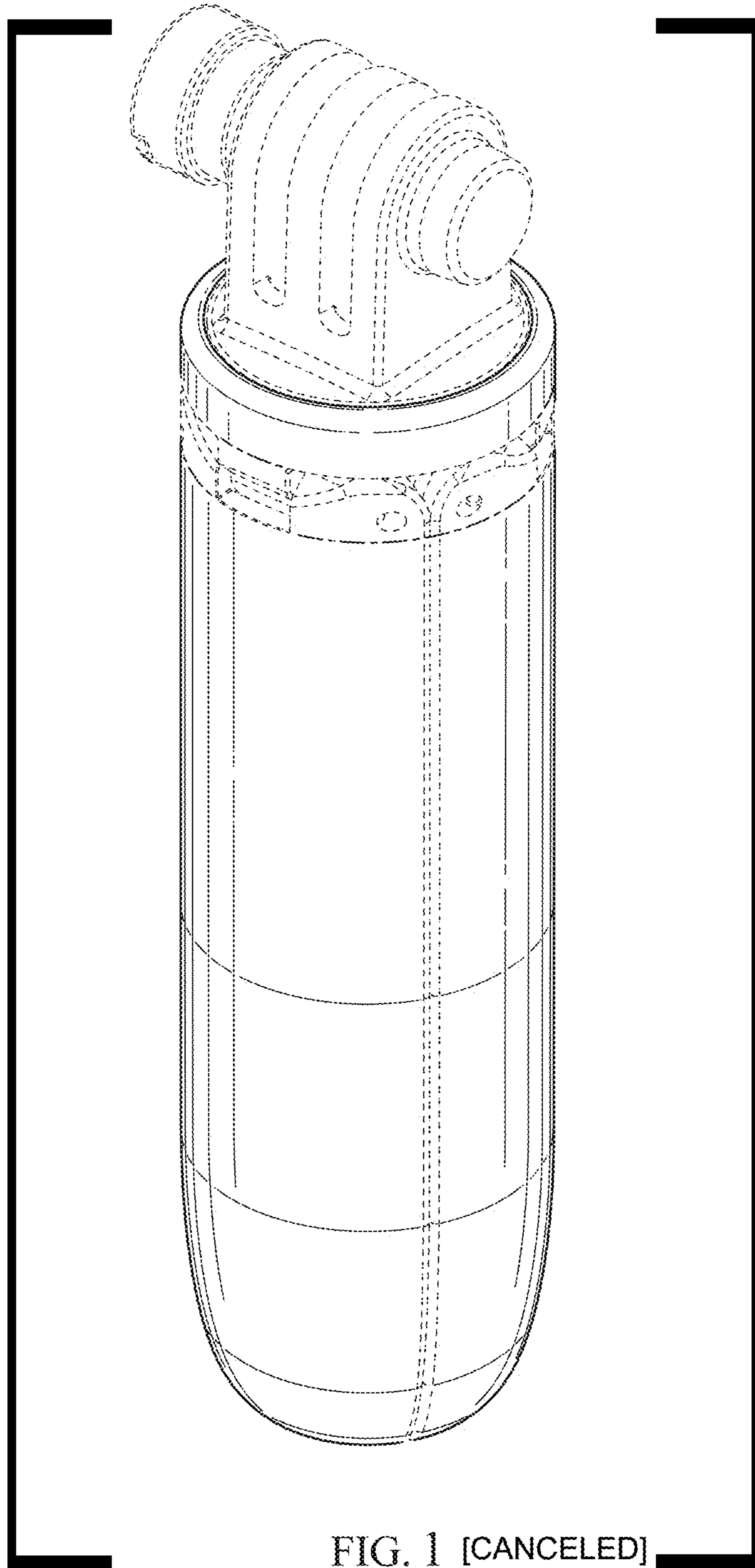


FIG. 1 [CANCELED]

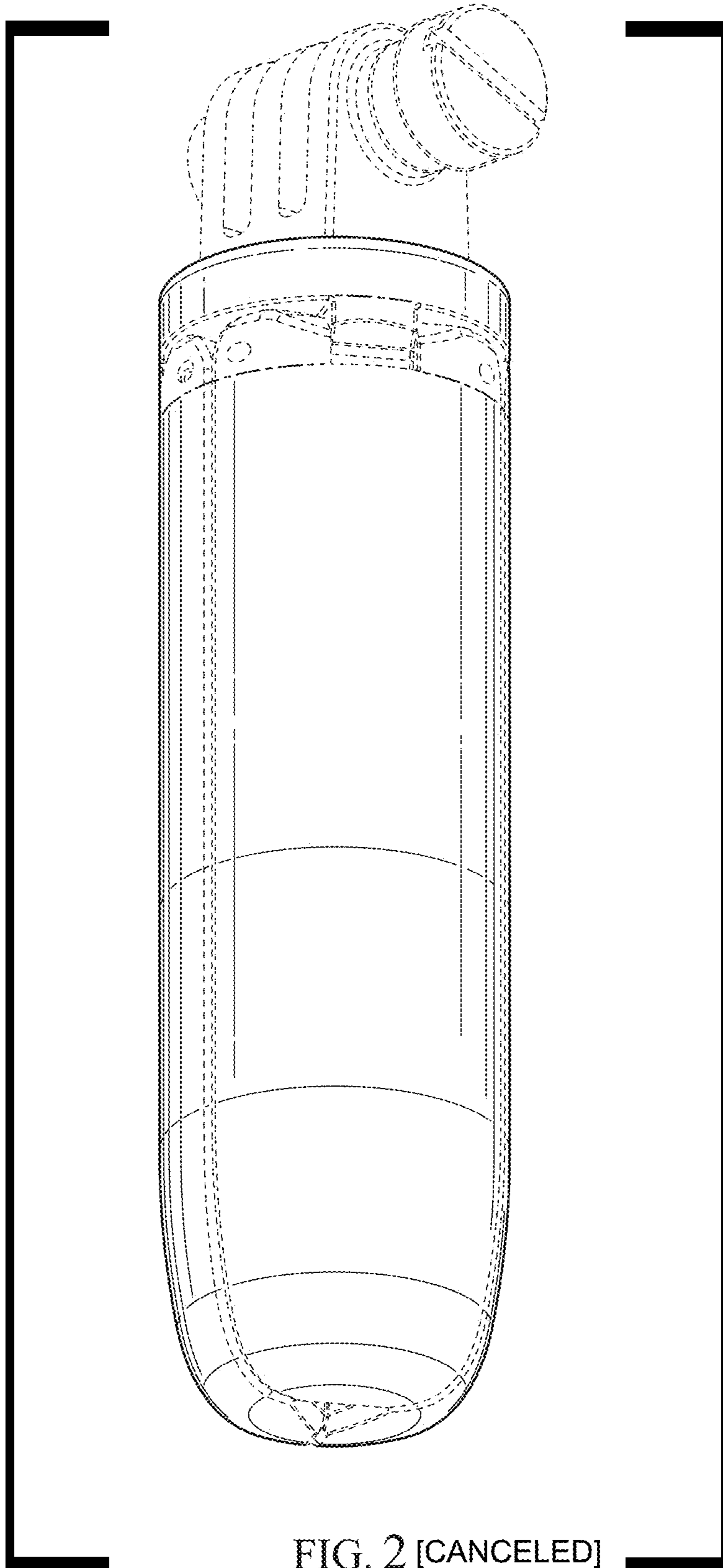


FIG. 2 [CANCELED]

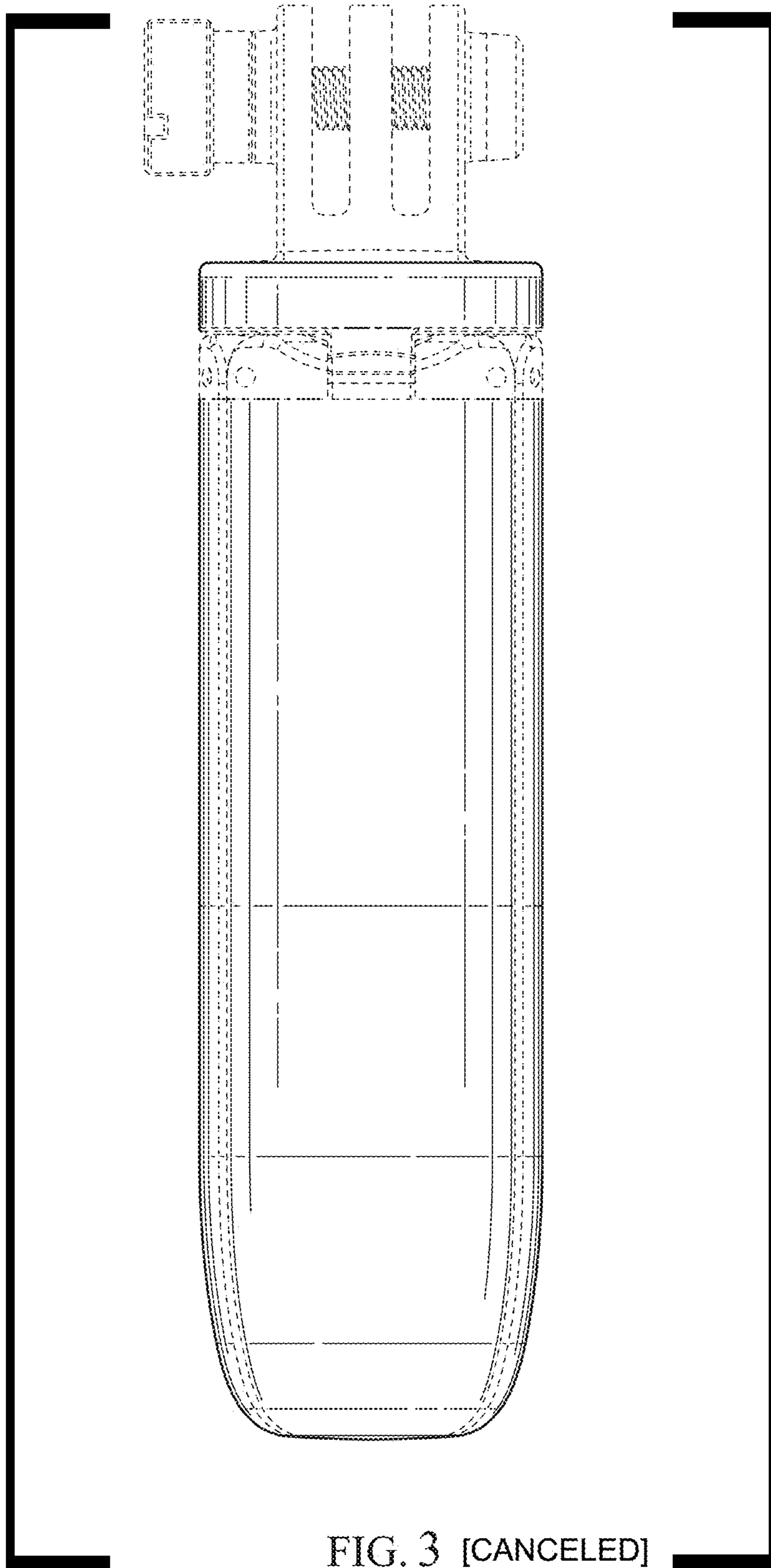


FIG. 3 [CANCELED]

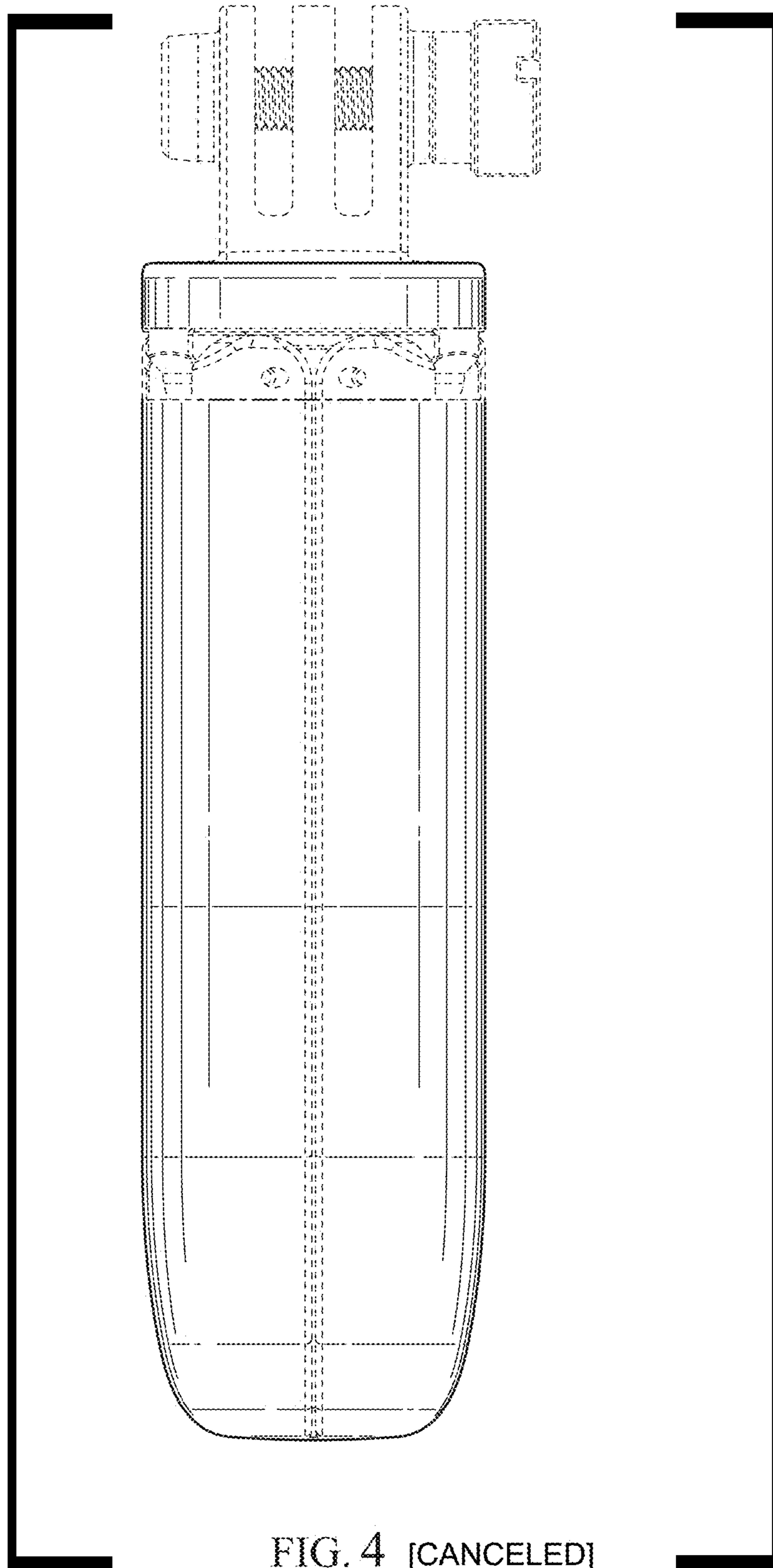


FIG. 4 [CANCELED]

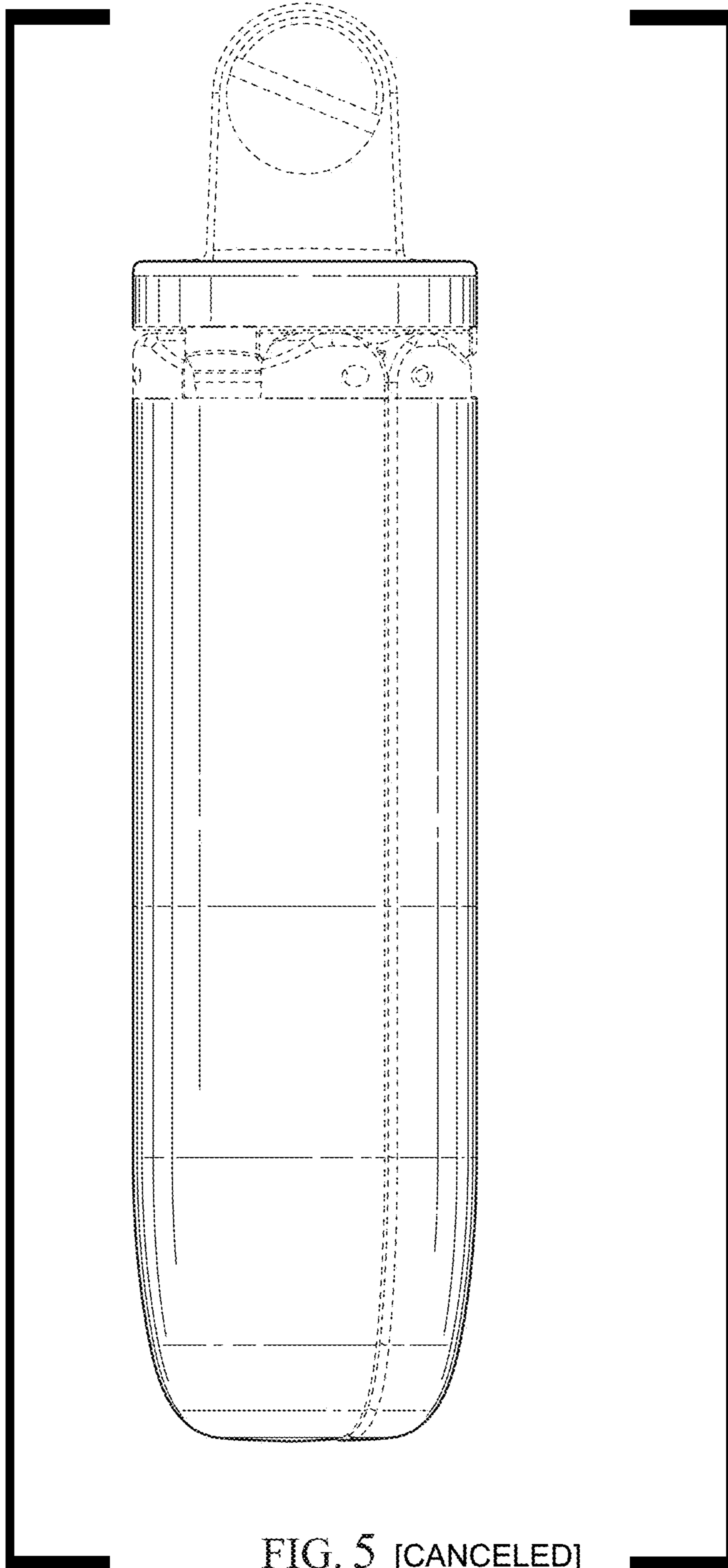


FIG. 5 [CANCELED]

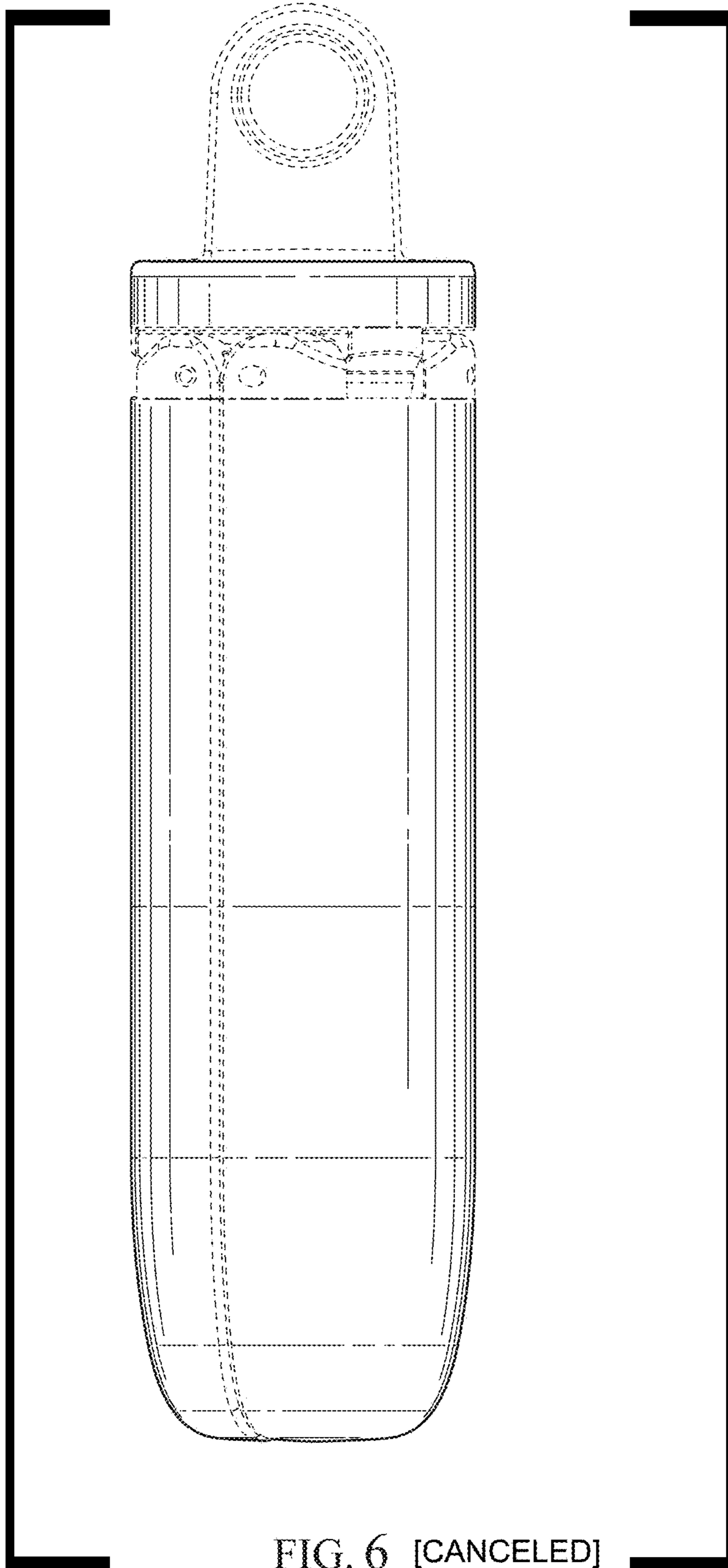
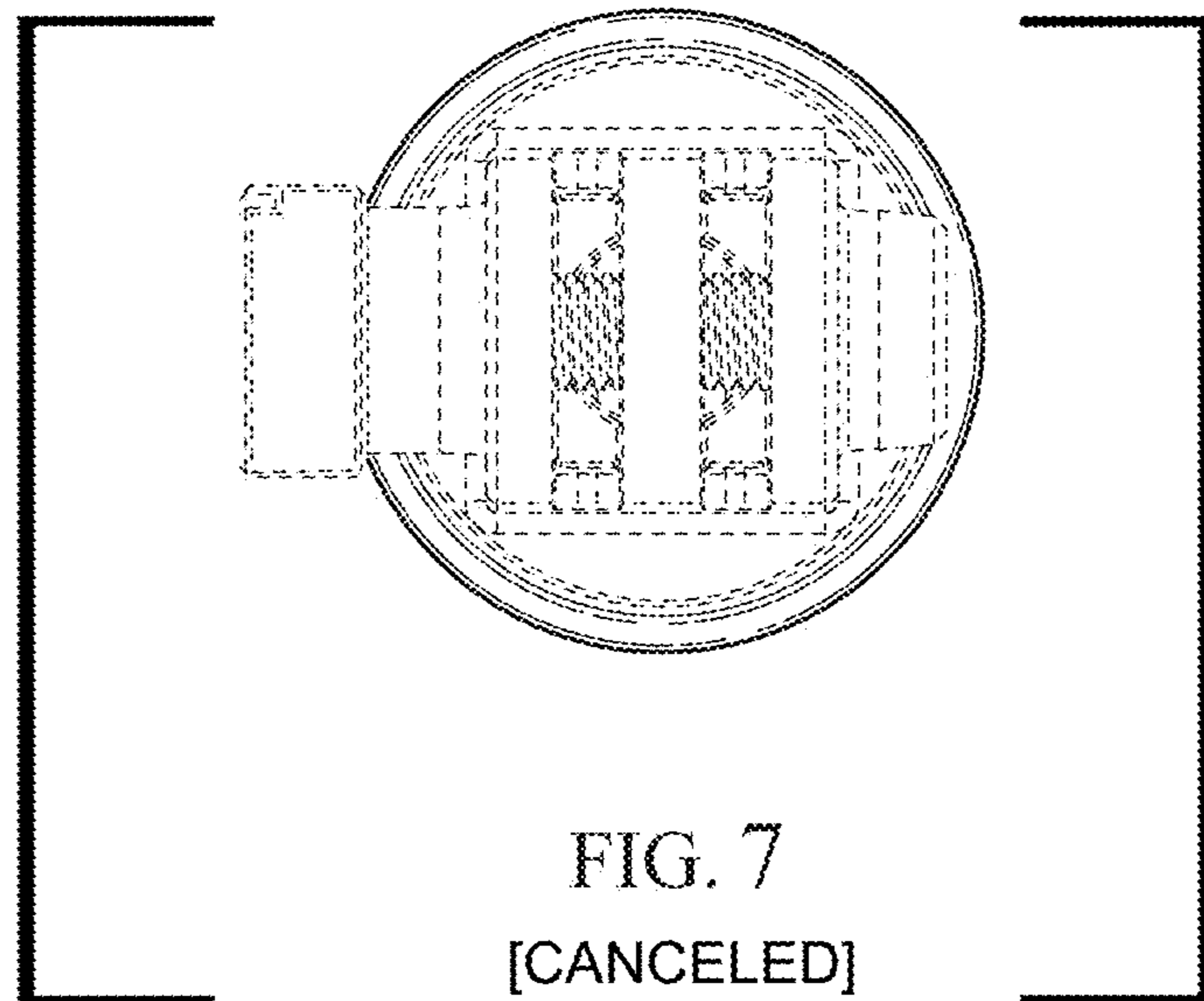
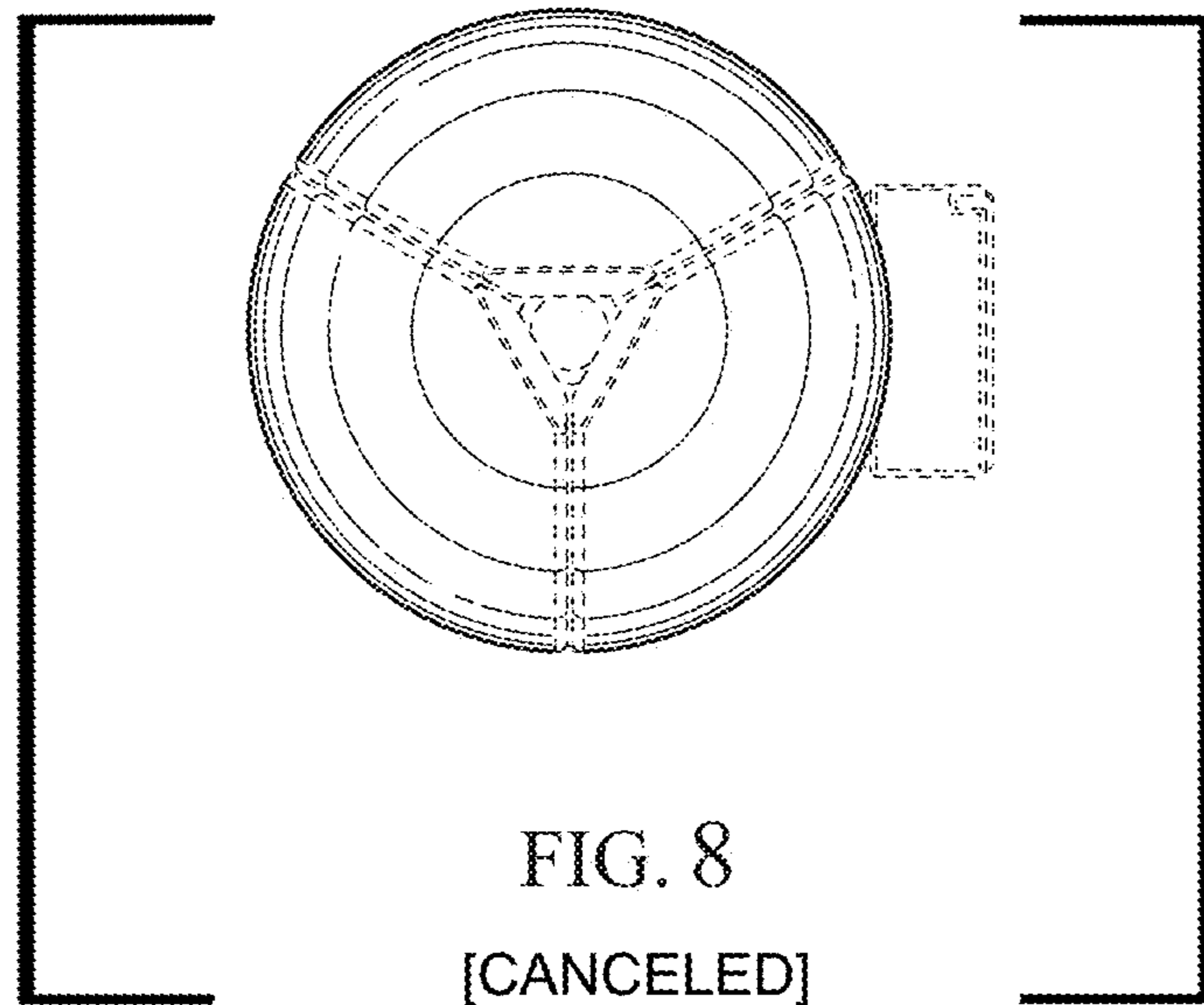


FIG. 6 [CANCELED]





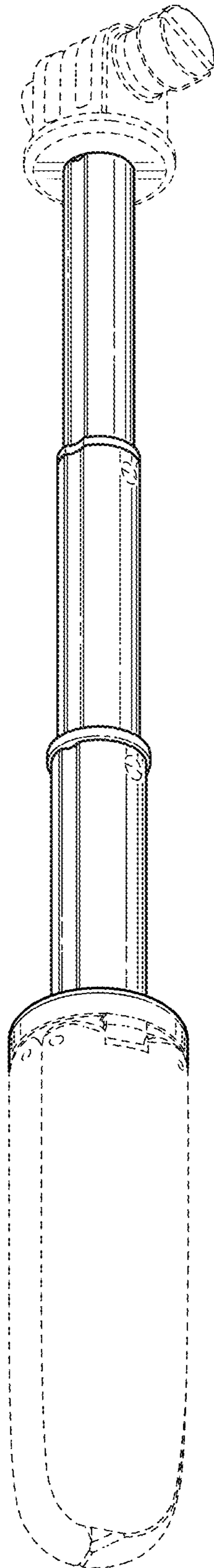


FIG. 1
[New]

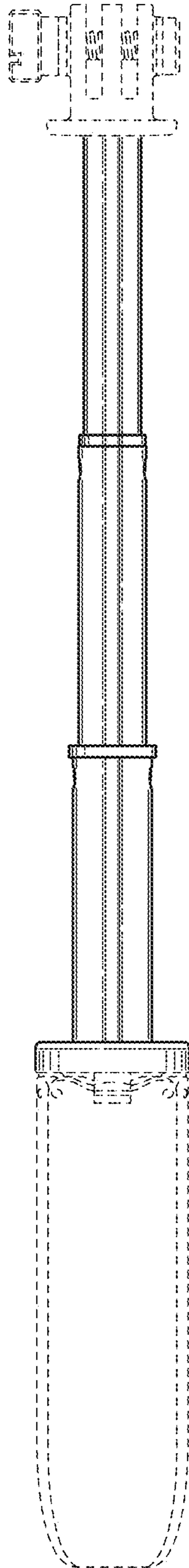


FIG. 2
[New]

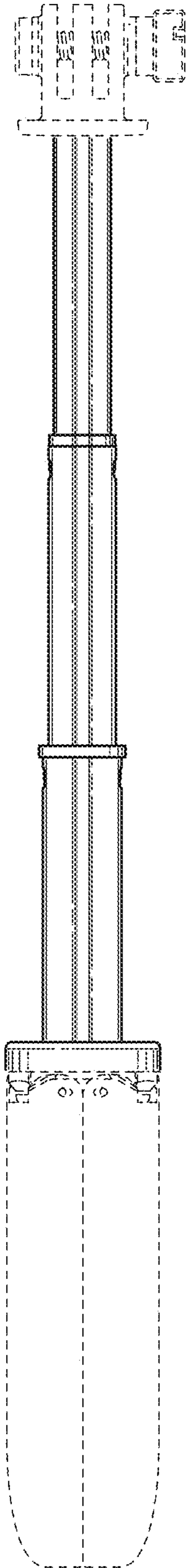


FIG. 3
[New]

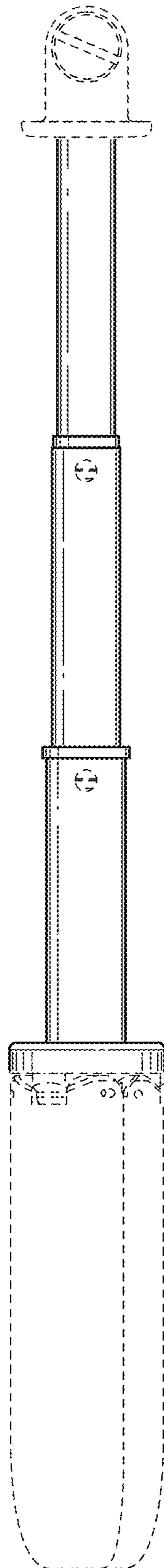


FIG. 4
[New]

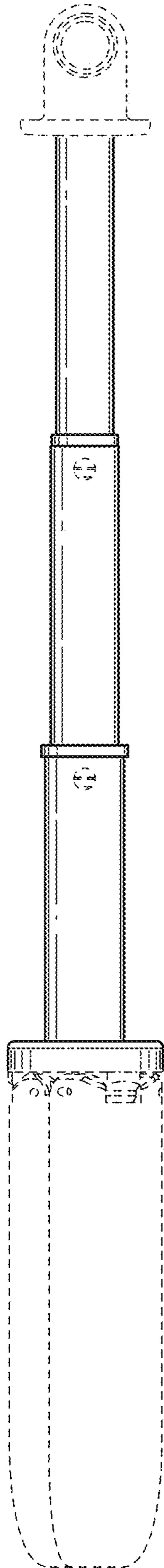


FIG. 5
[New]

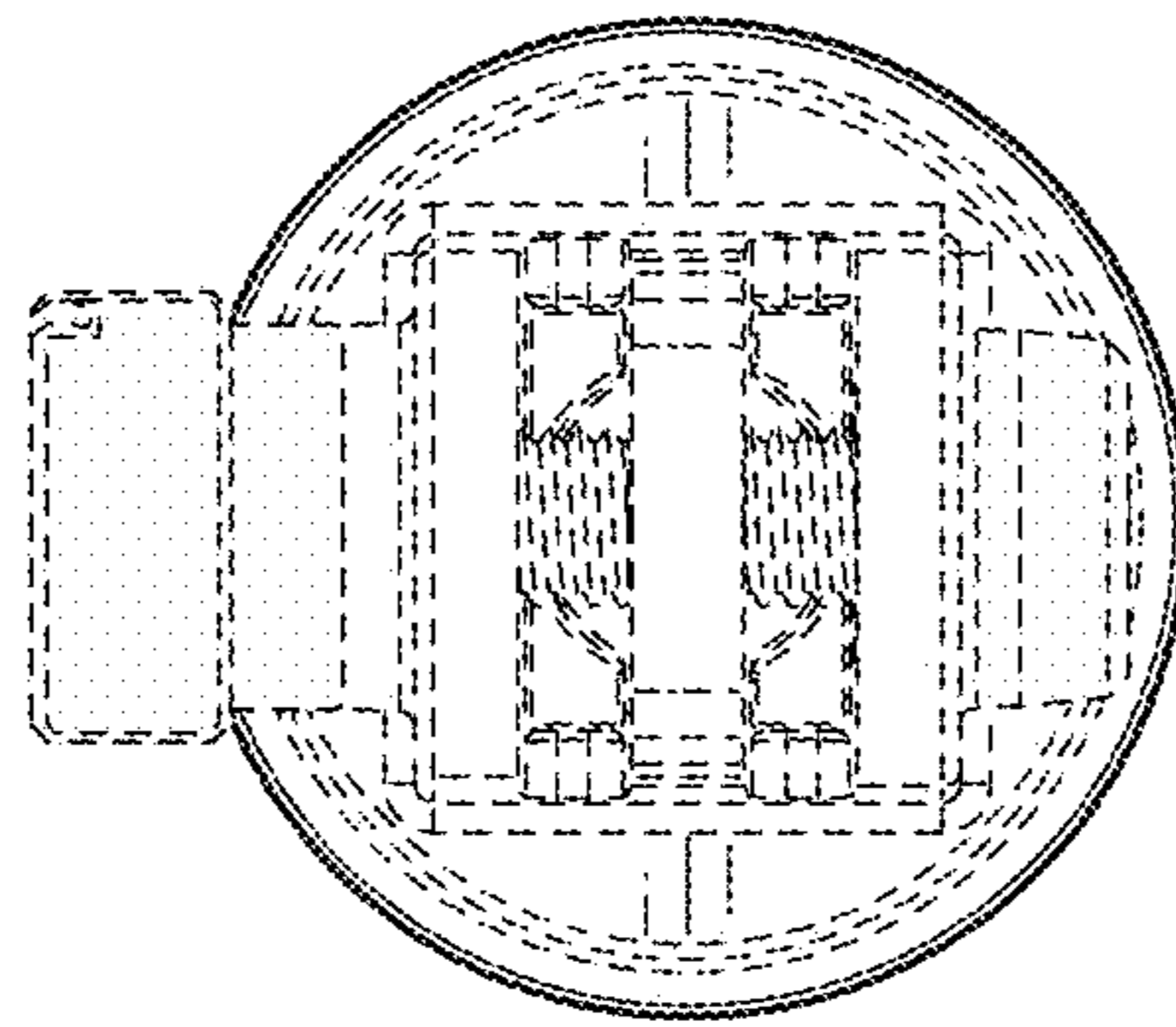


FIG. 6
[New]

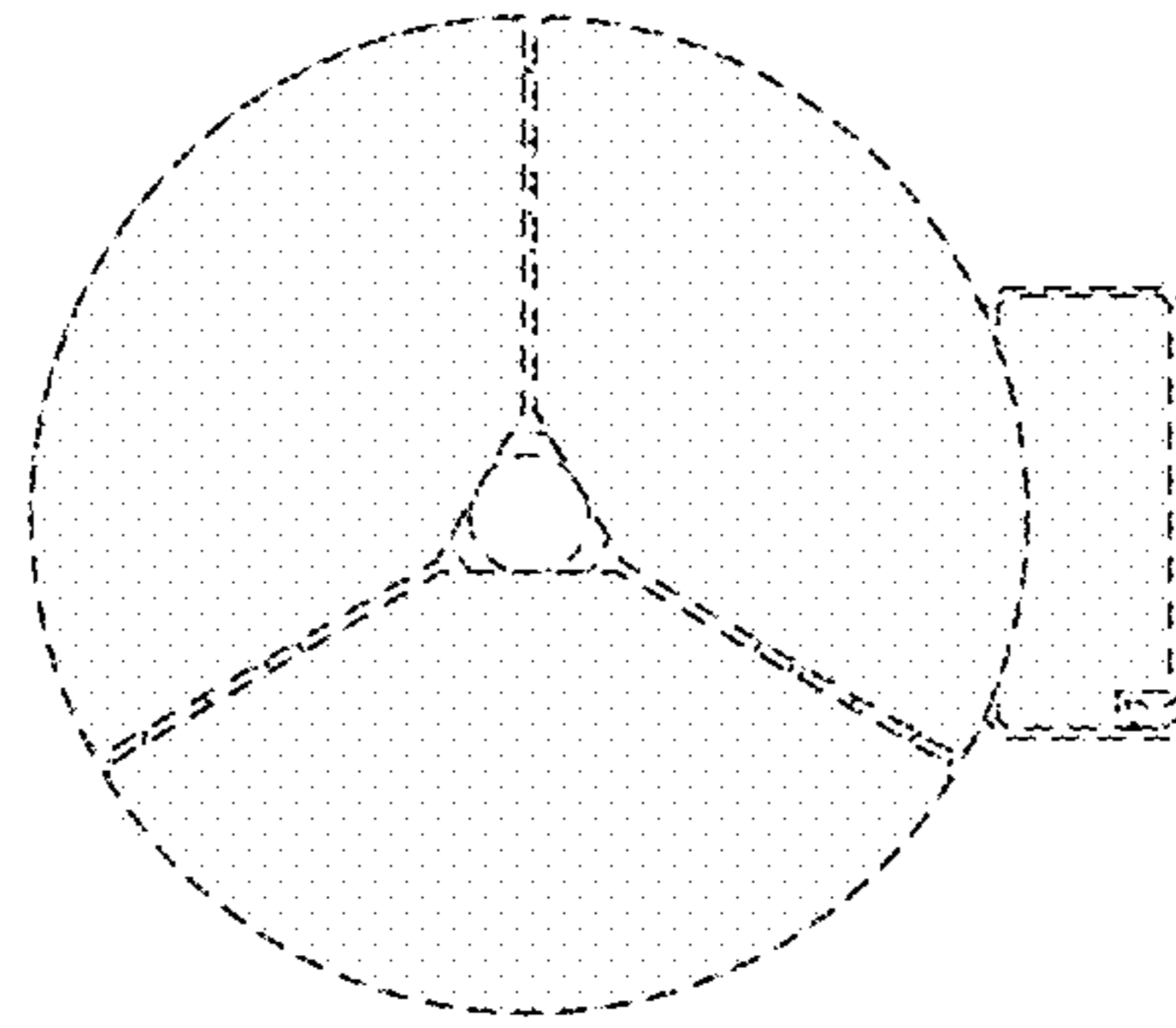


FIG. 7
[New]