



(19) **United States**
(12) **Reissued Patent**
Stuber et al.

(10) **Patent Number: US RE48,965 E**
(45) **Date of Reissued Patent: *Mar. 8, 2022**

(54) **METHOD AND APPARATUS IMPROVING GATE OXIDE RELIABILITY BY CONTROLLING ACCUMULATED CHARGE**

(71) Applicant: **pSemi Corporation**, San Diego, CA (US)

(72) Inventors: **Michael A. Stuber**, Carlsbad, CA (US); **Christopher N. Brindle**, Poway, CA (US); **Dylan J. Kelly**, San Diego, CA (US); **Clint L. Kemerling**, Escondido, CA (US); **George P. Imthurn**, San Diego, CA (US); **Robert B. Welstand**, San Diego, CA (US); **Mark L. Burgener**, San Diego, CA (US); **Alexander Dribinsky**, Naperville, IL (US); **Tae Youn Kim**, San Diego, CA (US)

(73) Assignee: **pSemi Corporation**, San Diego, CA (US)

(*) Notice: This patent is subject to a terminal disclaimer.

(21) Appl. No.: **16/710,998**

(22) Filed: **Dec. 11, 2019**

Related U.S. Patent Documents

Reissue of:

(64) Patent No.: **8,954,902**
Issued: **Feb. 10, 2015**
Appl. No.: **13/028,144**
Filed: **Feb. 15, 2011**

U.S. Applications:

(60) Division of application No. 11/520,912, filed on Sep. 14, 2006, now Pat. No. 7,890,891, which is a (Continued)

(51) **Int. Cl.**
H01L 29/786 (2006.01)
H01L 29/49 (2006.01)
(Continued)

(52) **U.S. Cl.**
CPC **H01L 29/78654** (2013.01); **H01L 27/1203** (2013.01); **H01L 29/4908** (2013.01);
(Continued)

(58) **Field of Classification Search**
CPC H01L 29/78654; H01L 29/78651; H01L 29/78615; H01L 29/4908; H01L 27/1203; H01L 29/78657; H03K 17/162
See application file for complete search history.

(56) **References Cited**

U.S. PATENT DOCUMENTS

3,470,443 A 9/1969 Berry
3,646,361 A 2/1972 Pfiffner
(Continued)

FOREIGN PATENT DOCUMENTS

CN 1256521 6/2000
CN 12556521 A 6/2000
(Continued)

OTHER PUBLICATIONS

US 10,700,199 B1, 06/2020, Brindle (withdrawn)
(Continued)

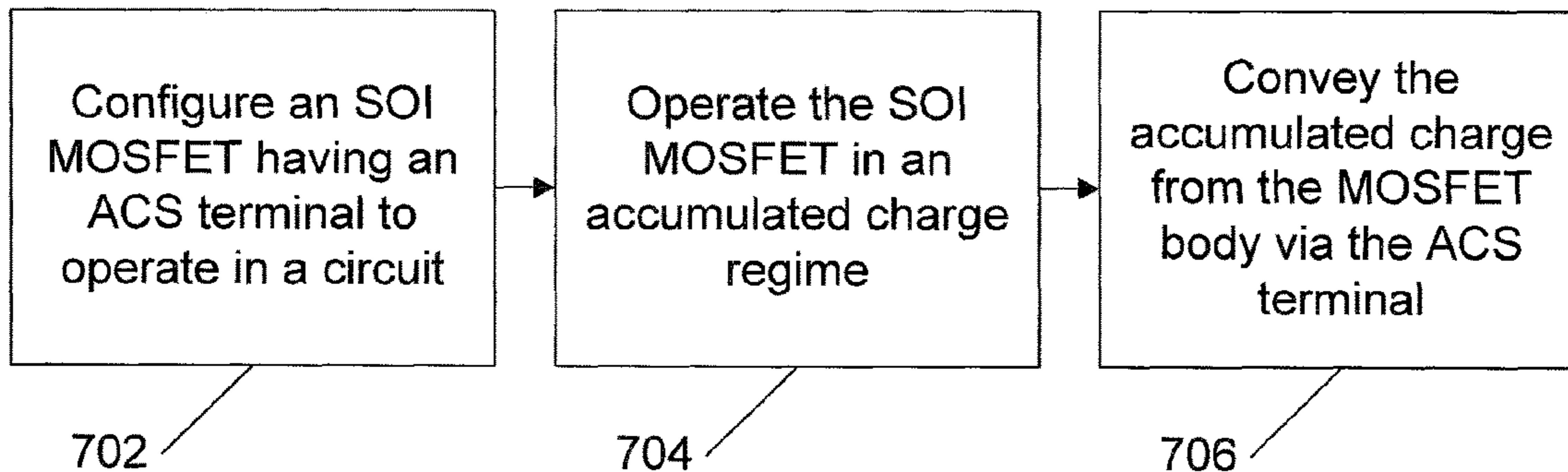
Primary Examiner — Minh Nguyen

(74) *Attorney, Agent, or Firm* — Haynes and Boone, LLP

(57) **ABSTRACT**

A method and apparatus are disclosed for use in improving the gate oxide reliability of semiconductor-on-insulator (SOI) metal-oxide-silicon field effect transistor (MOSFET) devices using accumulated charge control (ACC) techniques. The method and apparatus are adapted to remove, reduce, or otherwise control accumulated charge in SOI MOSFETs, thereby yielding improvements in FET performance characteristics. In one embodiment, a circuit comprises a MOSFET, operating in an accumulated charge regime, and means for controlling the accumulated charge, operatively coupled to the SOI MOSFET. A first determi-

(Continued)



nation is made of the effects of an uncontrolled accumulated charge on time dependent dielectric breakdown (TDDB) of the gate oxide of the SOI MOSFET. A second determination is made of the effects of a controlled accumulated charge on TDDB of the gate oxide of the SOI MOSFET. The SOI MOSFET is adapted to have a selected average time-to-breakdown, responsive to the first and second determinations, and the circuit is operated using techniques for accumulated charge control operatively coupled to the SOI MOSFET. In one embodiment, the accumulated charge control techniques include using an accumulated charge sink operatively coupled to the SOI MOSFET body.

104 Claims, 23 Drawing Sheets

Related U.S. Application Data

continuation-in-part of application No. 11/484,370, filed on Jul. 10, 2006, now Pat. No. 7,910,993.

(60) Provisional application No. 60/718,260, filed on Sep. 15, 2005, provisional application No. 60/698,523, filed on Jul. 11, 2005.

(51) **Int. Cl.**
H01L 27/12 (2006.01)
H03K 17/16 (2006.01)

(52) **U.S. Cl.**
 CPC .. *H01L 29/78615* (2013.01); *H01L 29/78651* (2013.01); *H01L 29/78657* (2013.01); *H03K 17/162* (2013.01)

(56) **References Cited**

U.S. PATENT DOCUMENTS

3,699,359 A 10/1972 Shelby
 3,731,112 A 5/1973 Smith
 3,878,450 A 4/1975 Greatbatch
 3,942,047 A 3/1976 Buchanan
 3,943,428 A 3/1976 Whidden
 3,955,353 A 5/1976 Astle
 3,975,671 A 8/1976 Stoll
 3,983,414 A 9/1976 Stafford
 3,988,727 A 10/1976 Scott
 4,047,091 A 9/1977 Hutchines
 4,053,916 A 10/1977 Cricchi et al.
 4,061,929 A 12/1977 Asano
 4,068,295 A 1/1978 Portmann
 4,079,336 A 3/1978 Gross
 4,106,086 A 8/1978 Holbrook
 4,139,826 A 2/1979 Pradal
 4,145,719 A 3/1979 Hand et al.
 4,186,436 A 1/1980 Ishiwatari
 4,241,316 A 12/1980 Knapp
 4,244,000 A 1/1981 Ueda et al.
 4,256,977 A 3/1981 Hendrickson
 4,316,101 A 2/1982 Minner
 4,317,055 A 2/1982 Yoshida et al.
 4,321,661 A 3/1982 Sano
 4,367,421 A 1/1983 Baker
 4,390,798 A 6/1983 Kurafuji
 4,460,952 A 7/1984 Risinger
 RE31,749 E 11/1984 Yamashiro
 4,485,433 A 11/1984 Topich
 4,559,709 A 12/1985 Beseme et al.
 4,621,315 A 11/1986 Vaughn
 4,633,106 A 12/1986 Backes
 4,638,184 A 1/1987 Kimura
 4,679,134 A 7/1987 Bingham
 4,703,196 A 10/1987 Arakawa

4,736,169 A 4/1988 Weaver et al.
 4,739,191 A 4/1988 Puar
 4,746,960 A 5/1988 Valeri et al.
 4,748,485 A 5/1988 Vasudev
 4,752,699 A 6/1988 Cranford
 4,769,784 A 9/1988 Doluca
 4,777,577 A 10/1988 Bingham
 4,809,056 A 2/1989 Shirato
 4,810,911 A 3/1989 Noguchi
 4,825,145 A 4/1989 Tanaka et al.
 4,839,787 A 6/1989 Kojima
 4,847,519 A 7/1989 Wahl
 4,849,651 A 7/1989 Estes, Jr.
 4,883,976 A 11/1989 Deane
 4,890,077 A 12/1989 Sun
 4,891,609 A 1/1990 Eilley
 4,893,070 A 1/1990 Milberger
 4,897,774 A 1/1990 Bingham
 4,906,587 A 3/1990 Blake
 4,929,855 A 5/1990 Ezzeddine
 4,939,485 A 7/1990 Eisenberg
 4,984,040 A 1/1991 Yap
 4,985,647 A 1/1991 Kawada
 4,999,585 A 3/1991 Burt et al.
 5,001,528 A 3/1991 Bahraman
 5,012,123 A 4/1991 Ayasli et al.
 5,023,494 A 6/1991 Tsukii et al.
 5,029,282 A 7/1991 Ito
 5,032,799 A 7/1991 Milberger
 5,038,325 A 8/1991 Douglas
 5,041,797 A 8/1991 Belcher
 5,061,907 A 10/1991 Rasmussen
 5,061,911 A 10/1991 Weidman et al.
 5,068,626 A 11/1991 Takagi
 5,081,371 A 1/1992 Wong
 5,081,706 A 1/1992 Kim
 5,095,348 A 3/1992 Houston
 5,107,152 A 4/1992 Jain et al.
 5,111,375 A 5/1992 Marshall
 5,124,762 A 6/1992 Childs et al.
 5,125,007 A 6/1992 Yamaguchi et al.
 5,126,590 A 6/1992 Chern
 5,138,190 A 8/1992 Yamazaki
 5,146,178 A 9/1992 Nojima et al.
 5,148,393 A 9/1992 Furuyama
 5,157,279 A 10/1992 Lee
 5,182,529 A 1/1993 Chern
 5,193,198 A 3/1993 Yokouchi
 5,208,557 A 5/1993 Kersh, III
 5,212,456 A 5/1993 Kovalcik
 5,272,457 A 12/1993 Heckaman et al.
 5,274,343 A 12/1993 Russell et al.
 5,283,457 A 2/1994 Matloubian
 5,285,367 A 2/1994 Keller
 5,306,954 A 4/1994 Chan et al.
 5,313,083 A 5/1994 Schindler
 5,317,181 A 5/1994 Tyson
 5,319,604 A 6/1994 Imondi et al.
 5,345,422 A 9/1994 Redwine
 5,349,306 A 9/1994 Apel
 5,350,957 A 9/1994 Cooper et al.
 5,375,256 A 12/1994 Yokoyama
 5,375,257 A 12/1994 Lampen
 5,392,186 A 2/1995 Alexander
 5,392,205 A 2/1995 Zavaleta
 5,405,795 A 4/1995 Beyer
 5,416,043 A 5/1995 Burgener et al.
 5,422,586 A 6/1995 Tedrow
 5,422,590 A 6/1995 Coffman et al.
 5,442,327 A 8/1995 Longbrake et al.
 5,446,418 A 8/1995 Hara et al.
 5,448,207 A 9/1995 Kohama
 5,455,794 A 10/1995 Javanifard
 5,465,061 A 11/1995 Dufour
 5,477,184 A 12/1995 Uda et al.
 5,488,243 A 1/1996 Tsuruta et al.
 5,492,857 A 2/1996 Reedy et al.
 5,493,249 A 2/1996 Manning
 5,519,360 A 5/1996 Keeth

(56)

References Cited

U.S. PATENT DOCUMENTS

5,535,160 A	7/1996	Yamaguchi	5,903,178 A	5/1999	Miyatsuji et al.
5,548,239 A	8/1996	Kohama	5,912,560 A	6/1999	Pasternak
5,553,012 A	9/1996	Buss	5,917,362 A	6/1999	Kohama
5,553,295 A	9/1996	Pantelakis et al.	5,920,093 A	7/1999	Huang et al.
5,554,892 A	9/1996	Norimatsu	5,920,233 A	7/1999	Denny
5,559,368 A	9/1996	Hu	5,926,466 A	7/1999	Ishida et al.
5,572,040 A	11/1996	Reedy et al.	5,930,605 A	7/1999	Mistry
5,576,647 A	11/1996	Sutardja	5,930,638 A	7/1999	Reedy et al.
5,578,853 A	11/1996	Hayashi	5,945,867 A	8/1999	Uda et al.
5,581,106 A	12/1996	Hayashi	5,945,879 A	8/1999	Rodwell
5,587,604 A	12/1996	Machesney et al.	5,953,557 A	9/1999	Kawahara
5,589,793 A	12/1996	Kassapian	5,959,335 A	9/1999	Bryant et al.
5,594,371 A	1/1997	Douseki	5,969,560 A	10/1999	Kohama et al.
5,596,205 A	1/1997	Reedy et al.	5,969,571 A	10/1999	Swanson
5,597,739 A	1/1997	Sumi et al.	5,973,363 A	10/1999	Staab et al.
5,600,169 A	2/1997	Burgener et al.	5,973,364 A	10/1999	Kawanaka
5,600,588 A	2/1997	Kawashima	5,973,382 A	10/1999	Burgener et al.
5,610,533 A	3/1997	Arimoto	5,973,636 A	10/1999	Okubo et al.
5,629,655 A	5/1997	Dent	5,986,518 A	11/1999	Dougherty
5,663,570 A	9/1997	Reedy et al.	5,990,580 A	11/1999	Weigand
5,670,907 A	9/1997	Gorecki et al.	6,020,778 A	2/2000	Shigehara
5,672,992 A	9/1997	Nadd	6,020,781 A	2/2000	Fujioka
5,677,649 A	10/1997	Martin	6,020,848 A	2/2000	Wallace
5,681,761 A	10/1997	Kim	6,049,110 A	4/2000	Koh
5,689,144 A	11/1997	Williams	6,057,555 A	5/2000	Reedy et al.
5,694,308 A	12/1997	Cave	6,057,723 A	5/2000	Yamaji et al.
5,698,877 A	12/1997	Gonzalez	6,061,267 A	5/2000	Houston
5,699,018 A	12/1997	Yamamoto et al.	6,063,686 A *	5/2000	Masuda et al.
5,717,356 A	2/1998	Kohama	6,064,253 A	5/2000	Faulkner
5,729,039 A	3/1998	Beyer et al.	6,064,275 A	5/2000	Yamauchi
5,731,607 A	3/1998	Kohama	6,064,872 A	5/2000	Vice
5,734,291 A	3/1998	Tasdighi et al.	6,066,993 A	5/2000	Yamamoto et al.
5,748,016 A	5/1998	Kurosawa	6,081,165 A	6/2000	Goldman
5,748,053 A	5/1998	Kameyama et al.	6,081,443 A	6/2000	Morishita et al.
5,753,955 A	5/1998	Fechner	6,081,694 A	6/2000	Matsuura et al.
5,757,170 A	5/1998	Pinney	6,084,255 A	7/2000	Ueda
5,760,652 A	6/1998	Maemura et al.	6,087,893 A	7/2000	Oowaki
5,767,549 A	6/1998	Chen	6,094,088 A	7/2000	Yano
5,767,721 A	6/1998	Crampton	6,100,564 A	8/2000	Bryant
5,774,411 A	6/1998	Hsieh	6,104,061 A	8/2000	Forbes
5,774,792 A	6/1998	Tanaka et al.	6,107,885 A	8/2000	Migueluez
5,777,530 A	7/1998	Nakatuka	6,111,778 A	8/2000	MacDonald
5,784,311 A	7/1998	Assaderaghi	6,114,923 A	9/2000	Mizutani
5,784,687 A	7/1998	Itoh et al.	6,118,343 A	9/2000	Winslow
5,786,617 A	7/1998	Merrill	6,122,185 A	9/2000	Utsunomiya et al.
5,793,246 A	8/1998	Costello et al.	6,130,570 A	10/2000	Pan et al.
5,801,577 A	9/1998	Tailliet	6,130,572 A	10/2000	Ghilardelli
5,804,858 A	9/1998	Hsu	6,133,752 A	10/2000	Kawagoe
5,807,772 A	9/1998	Takemura	6,137,367 A	10/2000	Ezzedine
5,808,505 A	9/1998	Tsukada	6,160,292 A	12/2000	Flaker et al.
5,812,939 A	9/1998	Kohama	6,169,444 B1	1/2001	Thurber, Jr.
5,814,899 A	9/1998	Okumura	6,172,378 B1	1/2001	Hull
5,818,099 A	10/1998	Burghartz	6,173,235 B1	1/2001	Maeda
5,818,278 A	10/1998	Yamamoto et al.	6,177,826 B1	1/2001	Mashiko et al.
5,818,283 A	10/1998	Tonami et al.	6,188,247 B1	2/2001	Storino et al.
5,818,289 A	10/1998	Chevallier et al.	6,188,590 B1	2/2001	Chang et al.
5,818,766 A	10/1998	Song	6,191,449 B1	2/2001	Shimo
5,821,769 A	10/1998	Douseki	6,191,653 B1	2/2001	Camp, Jr.
5,821,800 A	10/1998	Le et al.	6,195,307 B1	2/2001	Umezawa et al.
5,825,227 A	10/1998	Kohama et al.	6,201,761 B1	3/2001	Wollesen
5,861,336 A	1/1999	Reedy et al.	RE37,124 E	4/2001	Monk et al.
5,863,823 A	1/1999	Burgener	6,215,360 B1	4/2001	Callaway, Jr.
5,864,328 A	1/1999	Kajimoto	6,218,248 B1	4/2001	Hwang
5,874,836 A	2/1999	Nowak et al.	6,218,890 B1	4/2001	Yamaguchi et al.
5,874,849 A	2/1999	Marotta et al.	6,218,892 B1	4/2001	Soumyanath
5,877,978 A	3/1999	Morishita	6,222,394 B1	4/2001	Allen
5,878,331 A	3/1999	Yamamoto et al.	6,225,866 B1	5/2001	Kubota
5,880,620 A	3/1999	Gitlin et al.	6,239,649 B1	5/2001	Bertin
5,883,396 A	3/1999	Reedy et al.	6,239,657 B1	5/2001	Bauer
5,883,541 A	3/1999	Tahara et al.	6,249,027 B1 *	6/2001	Burr 257/350
5,889,428 A	3/1999	Young	6,249,029 B1	6/2001	Bryant
5,892,260 A	4/1999	Okumura	6,249,446 B1	6/2001	Shearon et al.
5,892,382 A	4/1999	Ueda	6,281,737 B1	8/2001	Kuang
5,892,400 A	4/1999	van Sadlers et al.	6,288,458 B1	9/2001	Berndt
5,895,957 A	4/1999	Reedy et al.	6,297,687 B1	10/2001	Sugimura
			6,297,696 B1	10/2001	Abodollahian
			6,300,796 B1	10/2001	Troutman et al.
			6,304,110 B1	10/2001	Hirano
			6,308,047 B1	10/2001	Yamamoto et al.

(56)

References Cited

U.S. PATENT DOCUMENTS

6,310,508 B1	10/2001	Westerman	6,774,701 B1	8/2004	Heston et al.
6,316,983 B1	11/2001	Kitamura	6,781,805 B1	8/2004	Urakawa
6,320,225 B1	11/2001	Hargrove	6,788,130 B2	9/2004	Pauletti et al.
6,337,594 B1	1/2002	Hwang	6,790,747 B2	9/2004	Henley et al.
6,341,087 B1	1/2002	Kunikiyo	6,801,076 B1	10/2004	Merritt
6,355,957 B1	3/2002	Maeda	6,803,680 B2	10/2004	Brindle et al.
6,356,536 B1	3/2002	Repke	6,804,502 B2	10/2004	Burgener et al.
6,365,488 B1	4/2002	Liao	6,804,506 B1	10/2004	Freitag
6,380,793 B1	4/2002	Bancal et al.	6,816,000 B2	11/2004	Miyamitsu
6,380,796 B2	4/2002	Sakai	6,816,001 B2	11/2004	Khoury
6,380,802 B1	4/2002	Pehike	6,816,016 B2	11/2004	Sander et al.
6,387,739 B1	5/2002	Smith, III	6,819,938 B2	11/2004	Sahota
6,392,440 B2	5/2002	Nebel	6,825,730 B1	11/2004	Sun
6,392,467 B1	5/2002	Oowaki	6,830,963 B1	12/2004	Forbes
6,396,325 B2	5/2002	Goodell	6,831,847 B2	12/2004	Perry
6,396,352 B1	5/2002	Muza	6,833,745 B2	12/2004	Hausman
6,400,211 B1	6/2002	Yokomizo et al.	6,835,982 B2	12/2004	Hogyoku
6,407,427 B1	6/2002	Oh	6,836,172 B2	12/2004	Okashita
6,407,614 B1	6/2002	Takahashi	6,870,241 B2	3/2005	Nakatani
6,411,156 B1	6/2002	Borkar et al.	6,871,059 B1	3/2005	Piro et al.
6,411,531 B1	6/2002	Nork	6,879,502 B2	4/2005	Yoshida et al.
6,414,353 B2	7/2002	Maeda et al.	6,882,210 B2	4/2005	Asano et al.
6,414,863 B1	7/2002	Bayer et al.	6,891,234 B1	5/2005	Connelly et al.
6,429,487 B1	8/2002	Kunikiyo	6,897,701 B2	5/2005	Chen
6,429,632 B1	8/2002	Forbes et al.	6,898,778 B2	5/2005	Kawanaka
6,429,723 B1	8/2002	Hastings	6,901,023 B2	5/2005	Kirsch
6,433,587 B1	8/2002	Assaderaghi	6,903,596 B2	6/2005	Geller et al.
6,433,589 B1	8/2002	Lee	6,908,832 B2	6/2005	Farrens et al.
6,449,465 B1	9/2002	Gailus	6,917,258 B2	7/2005	Kushitani et al.
6,452,232 B1	9/2002	Adan	6,933,744 B2	8/2005	Das
6,461,902 B1	10/2002	Xu et al.	6,934,520 B2	8/2005	Rozsypal
6,466,082 B1	10/2002	Krishnan	6,947,720 B2	9/2005	Razavi et al.
6,469,568 B2	10/2002	Toyoyama	6,954,623 B2	10/2005	Chang
6,486,511 B1	11/2002	Nathanson et al.	6,967,517 B2	11/2005	Mizuno
6,486,729 B2	11/2002	Imamiya	6,968,020 B1	11/2005	Jayaraman
6,496,074 B1	12/2002	Sowlati	6,969,668 B1	11/2005	Kang et al.
6,498,058 B1	12/2002	Bryant et al.	6,975,271 B2	12/2005	Adachi et al.
6,498,370 B1	12/2002	Kim	6,978,122 B2	12/2005	Kawakyu et al.
6,504,212 B1	1/2003	Allen et al.	6,978,437 B1	12/2005	Rittman et al.
6,504,213 B1	1/2003	Ebina	7,023,260 B2	4/2006	Thorp et al.
6,509,799 B1	1/2003	Franca-Neto	7,042,245 B2	5/2006	Hidaka
6,512,269 B1	1/2003	Bryant et al.	7,045,873 B2	5/2006	Chen et al.
6,518,645 B2	2/2003	Bae	7,056,808 B2	6/2006	Henley et al.
6,518,829 B2	2/2003	Butler	7,057,472 B2	6/2006	Kukamachi et al.
6,519,191 B1	2/2003	Morishita	7,058,922 B2 *	6/2006	Kawanaka 716/54
6,521,959 B2	2/2003	Kim	7,068,096 B2	6/2006	Chu
6,537,861 B1	3/2003	Kroell et al.	7,082,293 B1	7/2006	Rofougaran et al.
6,559,689 B1	5/2003	Clark	7,088,971 B2	8/2006	Burgener
6,563,366 B1	5/2003	Kohama	7,092,677 B1	8/2006	Zhang et al.
6,573,533 B1	6/2003	Yamazaki	7,109,532 B1	9/2006	Lee et al.
6,608,785 B2	8/2003	Chuang	7,123,898 B2	10/2006	Burgener et al.
6,608,789 B2	8/2003	Sullivan	7,129,545 B2	10/2006	Cain
6,617,933 B2	9/2003	Ito et al.	7,132,873 B2	11/2006	Hollmer
6,631,505 B2	10/2003	Arai	7,138,846 B2	11/2006	Suwa et al.
6,632,724 B2	10/2003	Henley et al.	7,161,197 B2	1/2007	Nakatsuka et al.
6,642,578 B1	11/2003	Arnold et al.	7,173,471 B2	2/2007	Nakatsuka et al.
6,646,305 B2	11/2003	Assaderaghi	7,199,635 B2	4/2007	Nakatsuka et al.
6,653,697 B2	11/2003	Hidaka et al.	7,202,712 B2	4/2007	Athas
6,670,655 B2	12/2003	Lukes et al.	7,202,734 B1	4/2007	Raab
6,677,641 B2	1/2004	Kocon	7,212,788 B2	5/2007	Weber et al.
6,677,803 B1	1/2004	Chiba	7,248,120 B2	7/2007	Burgener
6,684,055 B1	1/2004	Blackaby	7,266,014 B2	9/2007	Wu et al.
6,684,065 B2	1/2004	Bult	7,269,392 B2	9/2007	Nakajima et al.
6,693,326 B2	2/2004	Adan	7,307,490 B2	12/2007	Kizuki
6,693,498 B1	2/2004	Sasabata et al.	7,345,342 B2	3/2008	Challa
6,698,082 B2	3/2004	Crenshaw et al.	7,345,521 B2	3/2008	Takahashi et al.
6,698,498 B1	3/2004	Zeigelaar	7,355,455 B2	4/2008	Hidaka
6,703,863 B2	3/2004	Gion	7,359,677 B2	4/2008	Huang
6,704,550 B1	3/2004	Kohama et al.	7,391,282 B2	6/2008	Nakatsuka et al.
6,711,397 B1	3/2004	Petrov et al.	7,404,157 B2	7/2008	Tanabe
6,714,065 B2	3/2004	Komiya et al.	7,405,982 B1	7/2008	Flaker
6,717,458 B1	4/2004	Potantin	7,432,552 B2	10/2008	Park
6,730,953 B2	5/2004	Brindle et al.	7,457,594 B2	11/2008	Theobald
6,762,477 B2	7/2004	Kunikiyo	7,460,852 B2	12/2008	Burgener et al.
6,769,110 B2 *	7/2004	Katoh et al. 716/108	7,515,882 B2	4/2009	Kelcourse et al.
			7,546,089 B2	6/2009	Bellantoni
			7,551,036 B2	6/2009	Berroth
			7,561,853 B2	7/2009	Miyazawa
			7,564,103 B2	7/2009	Losehand

(56)

References Cited

U.S. PATENT DOCUMENTS

7,616,482 B2	11/2009	Prall	9,780,778 B2	10/2017	Burgener
7,619,462 B2	11/2009	Kelly	9,786,781 B2	10/2017	Brindle
7,659,152 B2	2/2010	Gonzalez et al.	9,887,695 B2	2/2018	Dribinsky
7,710,189 B2	5/2010	Toda	9,948,281 B2	4/2018	Ranta
7,719,343 B2	5/2010	Burgener	9,966,988 B2	5/2018	Burgener
7,733,156 B2	6/2010	Brederlow et al.	10,074,746 B2	9/2018	Brindle
7,733,157 B2	6/2010	Brederlow et al.	10,122,356 B2	11/2018	Kunishi
7,741,869 B2	6/2010	Hidaka	10,153,763 B2	12/2018	Brindle
7,756,494 B2	7/2010	Fujioka	10,153,767 B2	12/2018	Burgener
7,786,807 B1	8/2010	Li	10,622,990 B2	4/2020	Brindle
7,796,969 B2	9/2010	Kelly et al.	10,622,993 B2	4/2020	Burgener
7,808,342 B2	10/2010	Prikhokdo	10,680,600 B2	6/2020	Brindle
7,817,966 B2	10/2010	Prikhokdo	2001/0015461 A1	8/2001	Ebina
7,860,499 B2	12/2010	Burgener et al.	2001/0031518 A1	10/2001	Kim et al.
7,868,683 B2	1/2011	Iklov	2001/0040479 A1	11/2001	Zhang
7,890,891 B2 *	2/2011	Stuber et al. 716/102	2001/0045602 A1	11/2001	Maeda et al.
7,910,993 B2	3/2011	Brindle et al.	2002/0029971 A1	3/2002	Kovacs
7,928,759 B2	4/2011	Hidaka	2002/0079971 A1	6/2002	Vathulya
7,936,213 B2	5/2011	Shin	2002/0093064 A1	7/2002	Inaba
7,960,772 B2	6/2011	Englekirk	2002/0115244 A1	8/2002	Park et al.
7,982,265 B2	7/2011	Challa et al.	2002/0126767 A1	9/2002	Ding et al.
7,984,408 B2	7/2011	Cheng	2002/0195623 A1	12/2002	Horiuchi
8,008,988 B1	8/2011	Yang	2003/0002452 A1	1/2003	Sahota
8,081,928 B2	12/2011	Kelly	2003/0025159 A1	2/2003	Hogyoku
8,103,226 B2	1/2012	Andrys	2003/0032396 A1	2/2003	Tsuchiya
8,111,104 B2	2/2012	Ahadian	2003/0090313 A1 *	5/2003	Burgener H03K 19/018521 327/408
8,129,787 B2	3/2012	Brindle et al.	2003/0141543 A1	7/2003	Bryant et al.
8,131,225 B2	3/2012	Botula	2003/0160515 A1	8/2003	Yu
8,131,251 B2	3/2012	Burgener	2003/0181167 A1	9/2003	Iida
8,195,103 B2	6/2012	Waheed	2003/0201494 A1	10/2003	Maeda et al.
8,232,627 B2	7/2012	Bryant	2003/0205760 A1	11/2003	Kawanaka et al.
8,253,494 B2	8/2012	Blednov	2003/0222313 A1	12/2003	Fechner
8,330,519 B2	12/2012	Lam	2003/0224743 A1	12/2003	Okada
8,350,624 B2	1/2013	Lam	2003/0227056 A1 *	12/2003	Wang et al. 257/347
8,405,147 B2	3/2013	Brindle et al.	2004/0004251 A1	1/2004	Madurawe
8,427,241 B2	4/2013	Ezzedine	2004/0021137 A1 *	2/2004	Fazan et al. 257/1
8,451,044 B2	5/2013	Nisbet	2004/0061130 A1	4/2004	Morizuka
8,461,903 B1	6/2013	Granger-Jones	2004/0080364 A1	4/2004	Sander et al.
8,487,706 B2	7/2013	Li	2004/0121745 A1	6/2004	Meck
8,525,272 B2	9/2013	Losehand	2004/0129975 A1	7/2004	Koh et al.
8,527,949 B1	9/2013	Pleis et al.	2004/0183583 A1	9/2004	Mizuno
8,529,949 B2	9/2013	Ettema	2004/0183588 A1	9/2004	Chandrakasan
8,536,636 B2	9/2013	Englekirk	2004/0204013 A1	10/2004	Ma et al.
8,559,907 B2	10/2013	Burgener	2004/0218442 A1	11/2004	Kirsch
8,583,111 B2	11/2013	Burgener et al.	2004/0227565 A1	11/2004	Chen et al.
8,649,741 B2	2/2014	Iijima	2004/0242182 A1	12/2004	Hidaka et al.
8,649,754 B2	2/2014	Burgener	2005/0017789 A1	1/2005	Burgener
8,669,804 B2	3/2014	Ranta et al.	2005/0077564 A1	4/2005	Forbes
8,680,928 B2	3/2014	Jeon	2005/0079829 A1	4/2005	Ogawa et al.
8,729,948 B2	5/2014	Sugiura	2005/0121699 A1	6/2005	Chen et al.
8,729,949 B2	5/2014	Nisbet	2005/0122163 A1	6/2005	Chu
8,742,502 B2	6/2014	Brindle et al.	2005/0127442 A1	6/2005	Veeraraghavan et al.
8,779,859 B2	7/2014	Su	2005/0167751 A1	8/2005	Nakajima et al.
8,954,902 B2	2/2015	Stuber	2005/0212595 A1	9/2005	Kusunoki et al.
9,087,899 B2	7/2015	Brindle	2005/0264341 A1	12/2005	Hikita et al.
9,129,836 B2	9/2015	Losehand	2006/0009164 A1	1/2006	Kataoka
9,130,564 B2	9/2015	Brindle	2006/0022526 A1	2/2006	Cartalade
9,160,292 B2	10/2015	Olson	2006/0077082 A1	4/2006	Shanks
9,177,737 B2	11/2015	Englekirk	2006/0118884 A1	6/2006	Losehand
9,178,493 B1	11/2015	Nobbe	2006/0160520 A1	7/2006	Miyazawa
9,184,709 B2	11/2015	Adamski	2006/0161520 A1	7/2006	Brewer
9,219,445 B2	12/2015	Nobbe	2006/0194558 A1	8/2006	Kelly
9,225,378 B2	12/2015	Burgener	2006/0194567 A1	8/2006	Kelly et al.
9,276,526 B2	3/2016	Nobbe	2006/0199563 A1	9/2006	Kelly
9,331,738 B2	5/2016	Sharma	2006/0255852 A1	11/2006	O'Donnell
9,369,087 B2	6/2016	Burgener	2006/0267093 A1	11/2006	Tang et al.
9,397,656 B2	7/2016	Dribinsky	2006/0270367 A1	11/2006	Burgener
9,419,560 B2	8/2016	Korol	2006/0281418 A1	12/2006	Huang
9,438,223 B2	9/2016	De Jongh	2007/0018247 A1	1/2007	Brindle et al.
9,467,124 B2	10/2016	Crandall	2007/0023833 A1	2/2007	Okhonin et al.
9,608,619 B2	3/2017	Stuber	2007/0045697 A1	3/2007	Cheng et al.
9,653,601 B2	5/2017	Brindle	2007/0069291 A1	3/2007	Stuber
9,673,155 B2	6/2017	Smith	2007/0120103 A1	5/2007	Burgener
9,755,615 B2	9/2017	Ranta	2007/0279120 A1	12/2007	Brederlow et al.
9,780,775 B2	10/2017	Brindle	2007/0290744 A1	12/2007	Adachi
			2008/0034335 A1	2/2008	Cheng
			2008/0073719 A1	3/2008	Fazan et al.
			2008/0076371 A1	3/2008	Dribinsky et al.

(56) References Cited			EP	385641	9/1990
U.S. PATENT DOCUMENTS			EP	622901	11/1994
2008/0191788	A1	8/2008	EP	782267	7/1997
2008/0303080	A1	12/2008	EP	788185	8/1997
2009/0007036	A1	1/2009	EP	851561	1/1998
2009/0029511	A1	1/2009	EP	913939	5/1999
2009/0117871	A1	5/2009	EP	625831	11/1999
2009/0181630	A1	7/2009	EP	1006584	6/2000
2009/0278206	A1	11/2009	EP	1006584	6/2000
2010/0327948	A1	12/2010	EP	1006584	7/2000
2010/0330938	A1	12/2010	EP	1451890	2/2001
2011/0002080	A1	1/2011	EP	1925030	5/2008
2011/0092179	A1	4/2011	EP	2348532	7/2011
2011/0163779	A1	7/2011	EP	2348533	7/2011
2011/0169550	A1	7/2011	EP	2348534	7/2011
2011/0227637	A1	9/2011	EP	2348535	7/2011
2011/0260780	A1	10/2011	EP	2348536	7/2011
2011/0299437	A1	12/2011	EP	2387094	11/2011
2012/0007679	A1	1/2012	EP	1774620	10/2014
2012/0064952	A1	3/2012	EP	2884586	6/2015
2012/0169398	A1	7/2012	EP	3113280	1/2017
2012/0267719	A1	10/2012	EP	1902474	4/2017
2013/0009725	A1	1/2013	JP	5575348	6/1980
2013/0015717	A1	1/2013	JP	1254014	10/1989
2013/0260698	A1	10/2013	JP	H01254014	10/1989
2013/0278317	A1	10/2013	JP	2161769	6/1990
2013/0293280	A1	11/2013	JP	04-34980	2/1992
2014/0001550	A1	1/2014	JP	H0434980	2/1992
2014/0028521	A1	1/2014	JP	4183008	6/1992
2014/0085006	A1	3/2014	JP	H04183008	6/1992
2014/0087673	A1	3/2014	JP	5299995	11/1993
2014/0165385	A1	6/2014	JP	H05299995	11/1993
2014/0167834	A1	6/2014	JP	6112795	4/1994
2014/0179249	A1	6/2014	JP	H06112795	4/1994
2014/0179374	A1	6/2014	JP	06-314985	11/1994
2014/0306767	A1	10/2014	JP	H06314985	11/1994
2014/0312422	A1	10/2014	JP	6334506	12/1994
2015/0015321	A1	1/2015	JP	A-06-334506	12/1994
2015/0022256	A1	1/2015	JP	H06334506	12/1994
2015/0236691	A1	8/2015	JP	7046109	2/1995
2016/0064561	A1	3/2016	JP	H07046109	2/1995
2016/0191040	A1	6/2016	JP	07-070245	3/1995
2016/0191050	A1	6/2016	JP	H07070245	3/1995
2016/0191051	A1	6/2016	JP	07106937	4/1995
2016/0226478	A1	8/2016	JP	H07106937	4/1995
2016/0329891	A1	11/2016	JP	8023270	1/1996
2017/0162692	A1	6/2017	JP	H08023270	1/1996
2017/0201250	A1	7/2017	JP	8070245	3/1996
2017/0236946	A1	8/2017	JP	H08070245	3/1996
2017/0237462	A1	8/2017	JP	8148949	6/1996
2018/0061985	A1	3/2018	JP	11163704	6/1996
2018/0062645	A1	3/2018	JP	H08148949	6/1996
2018/0083614	A1	3/2018	JP	8251012	9/1996
2018/0138272	A1	5/2018	JP	H08251012	9/1996
2018/0145678	A1	5/2018	JP	08-307305	11/1996
2018/0212599	A1	7/2018	JP	A-08-307305	11/1996
2019/0058470	A1	2/2019	JP	H08307305	11/1996
2019/0081655	A1	3/2019	JP	8330930	12/1996
2019/0088781	A1	3/2019	JP	H08330930	12/1996
2019/0089348	A1	3/2019	JP	09-008621	1/1997
2019/0097612	A1	3/2019	JP	9008627	1/1997
2019/0237579	A1	8/2019	JP	H098627	1/1997
2019/0238126	A1	8/2019	JP	9041275	2/1997
2020/0036377	A1	1/2020	JP	9055682	2/1997
2020/0036378	A1	1/2020	JP	H9041275	2/1997
2020/0067504	A1	2/2020	JP	H9055682	2/1997
2020/0076427	A1	3/2020	JP	9092785	4/1997
2020/0076428	A1	3/2020	JP	H0992785	4/1997
2020/0112305	A1	4/2020	JP	9148587	6/1997
2020/0153430	A1	5/2020	JP	09163721	6/1997
FOREIGN PATENT DOCUMENTS			JP	H09148587	6/1997
CN	200680025128.7	11/2012	JP	H09163721	6/1997
DE	19832565	8/1999	JP	09-200021	7/1997
DE	112011103554	9/2013	JP	9181641	7/1997
DE	112011103554 T5	9/2013	JP	9186501	7/1997
			JP	09200021	7/1997
			JP	9200074	7/1997
			JP	H09181641	7/1997
			JP	H09186501	7/1997

(56)

References Cited

FOREIGN PATENT DOCUMENTS

JP	H09200021	7/1997
JP	H09200074	7/1997
JP	9238059	9/1997
JP	9243738	9/1997
JP	H09238059	9/1997
JP	H09243738	9/1997
JP	9270659	10/1997
JP	9284114	10/1997
JP	9284170	10/1997
JP	9298493	10/1997
JP	H098621	10/1997
JP	H09270659	10/1997
JP	H09284114	10/1997
JP	H09284170	10/1997
JP	H09298493	10/1997
JP	9326642	12/1997
JP	H09326642	12/1997
JP	10079467	3/1998
JP	H1079467	3/1998
JP	10-93471	4/1998
JP	H1093471	4/1998
JP	10-242477	9/1998
JP	10242826	9/1998
JP	A-10-242829	9/1998
JP	H10242477	9/1998
JP	H10242826	9/1998
JP	H10242829	9/1998
JP	H10284736	10/1998
JP	10-344247	12/1998
JP	10335901	12/1998
JP	H10335901	12/1998
JP	11026776	1/1999
JP	H1126776	1/1999
JP	11112316	4/1999
JP	H11112316	4/1999
JP	11-136111	5/1999
JP	H11136111	5/1999
JP	2161769	6/1999
JP	11163642	6/1999
JP	H11163642	6/1999
JP	H11163704	6/1999
JP	11205188	7/1999
JP	H11205188	7/1999
JP	11274804	10/1999
JP	H11274804	10/1999
JP	2000031167	1/2000
JP	2000058842	2/2000
JP	2000101093	4/2000
JP	2000183353	6/2000
JP	19980344247	6/2000
JP	2000188501	7/2000
JP	2000208614	7/2000
JP	2000223713	8/2000
JP	2000243973	9/2000
JP	2000277703	10/2000
JP	2000294786	10/2000
JP	2000311986	11/2000
JP	2001007332	1/2001
JP	2003060451	2/2001
JP	2001089448	3/2001
JP	2001094114	4/2001
JP	2001119281	4/2001
JP	2001157487	5/2001
JP	2001156182	6/2001
JP	2001274265	10/2001
JP	2002156602	5/2002
JP	2004515937	5/2002
JP	2000358775	6/2002
JP	2002164441	6/2002
JP	2002290104	10/2002
JP	2003060451	2/2003
JP	2003101407	4/2003
JP	2003143004	5/2003
JP	2003167615	6/2003
JP	2003189248	7/2003

JP	2003332583	11/2003
JP	200347553	12/2003
JP	2002156602	12/2003
JP	2003347553	12/2003
JP	2004147175	5/2004
JP	2004515937	5/2004
JP	2004166470	6/2004
JP	2004199950	7/2004
JP	2004288978	10/2004
JP	2005515657	5/2005
JP	2005203643	7/2005
JP	2005251931	9/2005
JP	200551567	9/2006
JP	2009500868	1/2009
JP	2010506156	2/2010
JP	4659826	3/2011
JP	4892092	3/2012
JP	5215850	3/2013
JP	5591356	9/2014
JP	55678106	2/2015
JP	6006219	10/2016
JP	WG2015015720	3/2017
JP	2014239233	12/2017
KR	19940027615	12/1994
WO	WO86/01037	2/1986
WO	WO9523460	8/1995
WO	WO9806174	2/1998
WO	WO9935695	7/1999
WO	WO0227920	4/2002
WO	WO03032431	4/2003
WO	2006/038190	4/2006
WO	WO2006038190	4/2006
WO	WO2007008934	1/2007
WO	WO2007/035610 A2	3/2007
WO	WO07033045	3/2007
WO	WO07035610	3/2007
WO	WO2007033045 A2	3/2007
WO	WO09108391	9/2009
WO	WO12054642	4/2012

OTHER PUBLICATIONS

US 10,700,200 B1, 06/2020, Brindle (withdrawn)

USPTO—Notice of Allowance and Notice of Allowability dated Oct. 2, 2019 for U.S. Appl. No. 16/377,026, 122 pages, Doc 9017.

USPTO—Corrected Notice of Allowability dated Dec. 18, 2019 for U.S. Appl. No. 16/377,026, 4 pages, Doc 9054.

BRINDLE—Issue Fee Payment and 312 Amendment filed Jan. 2, 2020 for U.S. Appl. No. 16/377,026, 26 pages, Doc 9059.

USPTO—Corrected Notice of Allowability dated Feb. 14, 2020 for U.S. Appl. No. 16/377,026, 17 pages, Doc 9091.

USPTO—Corrected Notice of Allowability dated Mar. 13, 2020 for U.S. Appl. No. 16/377,026, 8 pages, Doc 9190.

USPTO—Office Communication dated Mar. 26, 2020 for U.S. Appl. No. 16/377,026, 10 pages, Doc 9191.

USPTO—Corrected Notice of Allowability dated May 1, 2020 for U.S. Appl. No. 16/377,026, 7 pages, Doc 9192.

USPTO—Issue Notification dated Jun. 10, 2020 for U.S. Appl. No. 16/377,026, 1 page, Doc 9193.

USPTO—Corrected Notice of Allowability dated Jun. 24, 2020 for U.S. Appl. No. 16/377,026, 6 pages, Doc 9217.

USPTO—Corrected Notice of Allowability dated Jul. 8, 2020 for U.S. Appl. No. 16/377,026, 4 pages, Doc 9218.

BRINDLE—U.S. Appl. No. 16/739,093, filed Jan. 9, 2020, 132 pages, Doc 9066.

USPTO—Notice of Missing Parts dated Jan. 31, 2020 for U.S. Appl. No. 16/739,093, 2 pages, Doc 9083.

USPTO—Filing Receipt dated Jan. 31, 2020 for U.S. Appl. No. 16/739,093, 4 pages, Doc 9084.

BRINDLE—Response to Notice of Missing Parts and Preliminary Amendment filed Jun. 30, 2020 for U.S. Appl. No. 16/739,093, 19 pages, Doc 9219.

BRINDLE—Terminal Disclaimers filed Jul. 1, 2020 for U.S. Appl. No. 16/739,093, 7 pages, Doc 9220.

(56)

References Cited

OTHER PUBLICATIONS

- USPTO—Updated Filing Receipt dated Jul. 2, 2020 for U.S. Appl. No. 16/739,093, 6 page, Doc 9221.
- USPTO—Notice of Publication dated Oct. 8, 2020 for U.S. Appl. No. 16/739,093, 1 pages, Doc 9293.
- USPTO—Notice of Allowance and Allowability dated Dec. 16, 2020 for U.S. Appl. No. 16/739,093, 12pages, Doc 9296.
- USPTO—Corrected Notice of Allowability dated Jan. 26, 2021 for U.S. Appl. No. 16/739,093, 129 pages, Doc 9305.
- USPTO—Notice to File Corrected Application Papers dated Feb. 19, 2021 for U.S. Appl. No. 16/739,093, 3 pages, Doc 9306.
- BRINDLE—Response to Notice to File Corrected Application Papers filed Mar. 15, 2021 for U.S. Appl. No. 16/739,093, 8 pages, Doc 9307.
- BRINDLE—Issue Fee Payment and 312 Response filed Mar. 16, 2021 for U.S. Appl. No. 16/739,093, 6 pages, Doc 9308.
- Analog Devices—“LC2MOS High Speed, Quad SPST Switch”, Rev. B, 8 pages, Apr. 1988, Doc 1076.
- Analog Devices—“LC2MOS Quad SPST Switch”, Rev. B, 6 pages, Jul. 1992, Doc 1077.
- Le TMOS en technologie SOI, 3.7.2.2 Pompage de charges, pp. 110-111, 2 pages, Doc 1081.
- Linear Systems—“High-Speed DMOS FET Analog Switches and Switch Arrays”, 11 pages, Doc 1082.
- Orndorff—“CMOS/SOS/LSI Switching Regulator Control Device”, IEEE International Solid-State Circuits Conference, ISSCC 78, Feb. 1978, pp. 234-235, 282, 3 pages, Doc 0151.
- Nelson Pass—Pass Labs, “Cascode Amp Design”, Audio Electronics, pp. 1-4, Mar. 1978, 4 pages, Doc 0153.
- Kwok—“An X-Band SOS Resistive Gate Insulator Semiconductor (RIS) Switch”, IEEE Transactions on Electron Device, Feb. 1980, pp. 442-448, 7 pages, Doc 0154.
- Ayasli—“An X-Band 10 W Monolithic Transmit-Receive GaAs FET Switch”, Raytheon Research Division, May 31-Jun. 1, 1983 IEEE, pp. 42-46, 5 pages, Doc 0155.
- Ayasli—“Microwave Switching with GaAs FETs”, Microwave Journal, Nov. 1982, pp. 719-723, 10 pages, Doc 0156.
- Pucel—“A Multi-Chip GaAs Monolithic Transmit/Receive Module for X-Band”, Research Division. Raytheon Company, Jun. 15-17, 1982 IEEE MTT-S Digest, pp. 489-492, 4 pages, Doc 0157.
- SEDRA—“Microelectronic Circuits”, University of Toronto, Oxford University Press, Fourth Edition, 1982, 1987, 1991, 1998, pp. 374-375, 4 pages, Doc 0158.
- Ayasli—“A Monolithic Single-Chip X-Band Four-Bit Phase Shifter”, IEEE Transactions on Microwave Theory and Techniques, vol. MTT-30, No. 12, Dec. 1982, pp. 2201-2206, 6 pages, Doc 0159.
- Heller—“Cascode Voltage Switch Logic: A Different CMOS Logic Family”, IEEE International Solid-State Circuits Conference, Feb. 22-24, 1984, pp. 16-17, 2 pages, Doc 0160.
- Gopinath—“GaAs FET RF Switches”, IEEE Transactions on Electron Devices, Jul. 1985, pp. 1272-1278, 7 pages, Doc 0161.
- Yamao—“GaAs Broadband Monolithic Switches”, 1986, pp. 63-71, 10 pages, Doc 0162.
- Barker—“Communications Electronics-Systems, Circuits and Devices”, Jan. 1, 1987 Prentice-Hall, 347 pages, Doc 0163 (A-D).
- Harjani—“A Prototype Framework for Knowledge Based Analog Circuit Synthesis”, IEEE Design Automation Conference, Jun. 28-Jul. 1, 1987, pp. 42-49, 8 pages, Doc 0164.
- Colinge—“An SOI Voltage-Controlled Bipolar-MOS Device”, IEEE Transactions on Electron Devices, vol. ED-34, Apr. 1987, pp. 845-849, 5 pages, Doc 0165.
- Schindler—“DC-40 GHz and 20-40GHz MMIC SPDT Switches”, IEEE Transactions of Electron Devices, vol. ED-34, No. 12, Dec. 1987, pp. 2595-2602, 8 pages, Doc 0167.
- Colinge—“Fully Depleted SOI CMOS for Analog Applications”, IEEE Transactions on Electron Devices, 1998, pp. 1010-1016, 7 pages, Doc 0168.
- Nakayama—“A 1.9 GHz Single-Chip RF Front End GaAs MMIC with Low-Distortion Cascode FET Mixer for Personal Handy-Phone System Terminals”, Radio Frequency Integrated Circuits Symposium, 1988, pp. 205-208, 4 pages, Doc 0169.
- Peregrine Semiconductor Corporation—“An Ultra-Thin Silicon Technology that Provides Integration Solutions on Standard CMOS”, 1988, 4 pages, Doc 0170.
- Shifrin—“High Power Control Components Using a New Monolithic FET Structure”, IEEE Microwave and Millimeter-Wave Monolithic Circuits Symposium, 1988, pp. 51-56, 6 pages, Doc 0171.
- Schindler—“DC-20 GHz N X M Passive Switches”, IEEE Transactions on Microwave Theory and Techniques, vol. 36, No. 12, Dec. 1988, pp. 1604-1613, 10 pages, Doc 0172.
- Eisenberg—“High Isolation 1-20 GHz MMIC Switches with On-Chip Drivers”, IEEE Microwave and Millimeter Wave Monolithic Circuits Symposium, 1989, pp. 41-45, 5 pages, Doc 0173.
- Houng—“60-70 dB Isolation 2-19 GHz Switches”, Raytheon Electromagnetic Systems Division, 1989 IEEE, GaAs IC Symposium, pp. 173-176, 4 pages, Doc 0174.
- Schindler—“A 2-18 GHz Non-Blocking Active 2x2 Switch”, Raytheon Company, 1989 IEEE, GaAs IC Symposium, pp. 181-183, 3 page, Doc 0175.
- Slobodnik—“Millimeter Wave GaAs Switch FET Modeling”, Microwave Journal, 1989, 7 pages, Doc 0176.
- Chen—“Dual-Gate GaAs FET: A Versatile Circuit Component for MMICs”, Microwave Journal, Jun. 1989, pp. 125-135, 7 pages, Doc 0177.
- Shifrin—“Monolithic FET Structure for High Power Control Component Applications”, IEEE Transactions on Microwave Theory and Techniques, vol. 37, No. 12, Dec. 1989, pp. 2134-2142, 8 pages, Doc 0178.
- Schindler—“A High Power 2-18 GHz T/R Switch”, 1988 IEEE, IEEE 1990 Microwave and Millimeter-Wave Circuits Symposium, pp. 119-122, 4 pages, Doc 0180.
- Schindler—“A Single Chip 2-20 GHz T/R Module” 1988 IEEE, IEEE 1990 Microwave and Millimeter-Wave Monolithic Circuits Symposium, pp. 99-102, 4 pages, Doc 0182.
- Valeri—“A Composite High Voltage Device Using Low Voltage SOI MOSFETs”, IEEE, 1990, pp. 169-170, 2 pages, Doc 0183.
- Yun—“High Power-GaAs MMIC Switches with Planar Semi-Insulated Gate FETs (SIGFETs)”, International Symposium on Power Semiconductor Devices & Ics, 1990, pp. 55-58, 4 pages, Doc 0184.
- Wang—“Threshold Voltage Instability at Low Temperatures in Partially Depleted Thin Film SOI MOSFETs”, IEEE SOS/SOI Technology Conference, Jun. 1991, pp. 91-92, 2 pages, Doc 0185.
- Bernkopf—“A High Power K/Ka-Band Monolithic T/R Switch”, 1991 IEEE, IEEE 1991 Microwave and Millimeter-Wave Monolithic Circuits Symposium, pp. 15-18, 4 pages, Doc 0186.
- McGrath—“Multi Gate FET Power Switches”, Applied Microwave 1991, pp. 77-88, 7 pages, Doc 0188.
- McGrath—“Novel High Performance SPDT Power Switches Using Multi-Gate FETs”, 1991 IEEE, 1991 IEEE MTT-S Digest, pp. 839-842, 4 pages, Doc 0189.
- Valeri—“A Silicon-on-Insulator Circuit for High Temperature, High-Voltage Applications”, IEEE, 1991, pp. 60-61, 2 pages, Doc 0191.
- Giffard: “Dynamic Effects in SOI MOSFETs”, IEEE SOS/SOI Technology Conference, Oct. 1991, pp. 160-161, 2 pages, Doc 0192.
- Baker—“Stacking Power MOSFETs for Use in High Speed Instrumentation”, American Institute of Physics, 1992, pp. 5799-5801, 3 pages, Doc 0193.
- Eron—“Small and Large Signal Analysis of MESETs as Switches”, Microwave Journal, 1995, 7 pages, Doc 0216.
- Kusunoki—“SPDT Switch MMIC Using E/D Mode GaAs JFETs for Personal Communications”, IEEE GaAs IC Symposium, 1992, pp. 135-138, 4 pages, Doc 0195.
- Shifrin—“A New Power Amplifier Topology with Series Biasing and Power Combining of Transistors”, IEEE 1992 Microwave and Millimeter-Wave Monolithic Circuits Symposium, 1992, pp. 39-41, 3 pages, Doc 0196.
- Van Der Puije—“Telecommunication Circuit Design”, Wiley 1992, 187 pages, Doc 0197 (A-B).

(56)

References Cited

OTHER PUBLICATIONS

- Baker—"Series Operation of Power MOSFETs for High Speed Voltage Switching Applications", American Institute of Physics, 1993, pp. 1655-1656, 2 pages, Doc 0198.
- Devlin—"A 2.4 GHz Single Chip Transceiver", Microwave and Millimeter-Wave Monolithic Circuits Symposium 1993, pp. 23-26, 4 pages, Doc 0199.
- Uda—"High Performance GaAs Switch IC's Fabricated Using MESFETs with Two Kinds of Pinch Off Voltages", IEEE GaAs IC Symposium, 1993, pp. 247-250, 4 pages, Doc 0200.
- Apel—"A GaAs MMIC Transceiver for 2.45 GHz Wireless Commercial Products", Microwave and Millimeter-Wave Monolithic Circuits Symposium, 1994, pp. 15-18, 4 pages, Doc 0201.
- Assaderaghi—"A Dynamic Threshold Voltage MOSFET (DTMOS) for Ultra-low Voltage Operation", 1994, IEEE p. 33.1.1-33.1.4, 4 pages, Doc 0203.
- Baker—"Designing Nanosecond High Voltage Pulse Generators Using Power MOSFETs", Electronic Letters, 1994, pp. 1634-1635, 2 pages, Doc 0204.
- Caverly—"Distortion in GaAs MESFET Switch Circuits", 1994, 5 pages, Doc 0205.
- Miyatsuji—"A GaAs High Power RF Single Pole Double Throw Switch IC for Digital Mobile Communication System", IEEE International Solid-State Circuits Conference, 1994, pp. 34-35, 2 pages, Doc 0206.
- Puechberty—"A GaAs Power Chip Set for 3V Cellular Communications", 1994, 4 pages, Doc 0207.
- Szedon—"Advanced Silicon Technology for Microwave Circuits." Naval Research Laboratory, 1994, pp. 1-110, 122 pages, Doc 0208.
- Uda—"High-Performance GaAs Switch IC's Fabricated Using MESFETs with Two Kinds of Pinch-off Voltages and a Symmetrical Pattern Configuration", IEEE Journal of Solid-State Circuits, vol. 29, No. 10, Oct. 1994, pp. 1262-1269, 8 pages, Doc 0209.
- Assaderaghi—"Dynamic Threshold Voltage MOSFET (DTMOS) for Ultra Low Voltage Operation", International Electron Devices Meeting, December 1994, pp. 809-812, 4 pages, Doc 0212.
- Abidi—"Low Power Radio Frequency IC's for Portable Communications", IEEE 1995, pp. 544-569, 26 pages, Doc 0213.
- Couch—"Modern Communication System", Prentice-Hall, 1995, 316 pages, Doc 0214 (A-D).
- De La Houssaye—"Microwave Performance of Optically Fabricated T-Gate Thin Film Silicon on Sapphire Based MOSFETs", IEEE Electron Device Letters, 1995, pp. 289-292, 4 pages, Doc 0215.
- Gautier—"Body Charge Related Transient Effects in Floating Body SOI NMOSFETs", IEDM Tech. Digest 1995, pp. 623-626, 4 pages, Doc 0217.
- Hittite Microwave—"Miniature Dual Control SP4T Switches for Low Cost Multiplexing", Hittite Microwave, 1995, 5 pages, Doc 0218.
- Ionescu—"A Physical Analysis of Drain Current Transients at Low Drain Voltage in Thin Film SOI MOSFETs", Microelectronic Engineering 28 (1995), pp. 431-434, 4 pages, Doc 1085.
- Keys—"Low Distortion Mixers or RF Communications", Ph.D. Thesis, University of California-Berkeley, 1995, 135 pages, Doc 0219.
- Kohama—"High Power DPDT Antenna Switch MMIC for Digital Cellular Systems", GaAs IC Symposium, 1995, pp. 75-78, 4 pages, Doc 0220.
- Lovelace—"Silicon MOSFET Technology for RF Ics", IEEE 1995, pp. 1238-1241, 4 pages, Doc 0221.
- Matsumoto—"Fully Depleted 30-V-Class Thin Film SOI Power MOSFET", IEDM 95-979, Dec. 10-13, 1995, pp. 38.6.1-38.6.4, 4 pages, Doc 0222.
- McGrath—"A 1.9-GHz GaAs Chip Set for the Personal Handyphone System", IEEE Transaction on Microwave Theory and Techniques, 1995, pp. 1733-1744, 12 pages, Doc 0223.
- Microwave Journal—"A Voltage Regulator for GaAs FETs", Microwave Journal 1995, 1 page, Doc 0224.
- Miyatsuji—"A GaAs High Power RF Single Pole Dual Throw Switch IC for Digital Mobile Communication System", IEEE Journal of Solid-State Circuits, 1995, pp. 979-983, 5 pages, Doc 0226.
- Sanders—"Statistical Modeling of SOI Devices for the Low Power Electronics Program", AET, Inc., 1995, pp. 1-109, 109 pages, Doc 0227.
- Tokumitsu—"A Low-Voltage, High-Power T/R-Switch MMIC Using LC Resonators", IEEE Transactions on Microwave Theory and Techniques, vol. 43, No. 5, May 1995, pp. 997-1003, 7 pages, Doc 0228.
- Morishita—"Leakage Mechanism Due to Floating Body and Countermeasure on Dynamic Retention Mode of SOI-DRAM", 1995 Symposium on VLSI Technology Digest of Technical Papers, Apr. 1995, pp. 141-142, 2 pages, Doc 0229.
- Suh—"A Physical Change-Based Model for Non-Fully Depleted SOI MOSFETs and Its Use in Assessing Floating-Body Effects in SOI SMOS Circuits", IEEE Transactions on Electron Devices, vol. 42, No. 4, Apr. 1995, pp. 728-737, 10 pages, Doc 0230.
- Cherne—U.S. Statutory Invention Registration No. H1435, published May 2, 1995, 12 pages, Doc 0232.
- Ota—"High Isolation and Low Insertion Loss Switch IC Using GaAs MESFETs", IEEE Transactions on Microwave Theory and Techniques, vol. 43, No. 9, Sep. 1995, pp. 2175-2177, 3 pages, Doc 0233.
- Chan—"Comparative Study of Fully Depleted and Body-Grounded Non Fully Depleted SOI MOSFETs for High Performance Analog and Mixed Signal Circuits", IEEE Transactions on Electron Devices, vol. 42, No. 11, Nov. 1995, pp. 1975-1981, 7 pages, Doc 0234.
- Assaderaghi—"History Dependence of Non-Fully Depleted (NFD) Digital SOI Circuits", 1996 Symposium on VLSI Technology Digest of Technical Papers 13.1, 1996, pp. 122-123, 2 pages, Doc 0235.
- Burghartz—"Integrated RF and Microwave Components in BiCMOS Technology", IEEE Transactions on Electron Devices, 1996, pp. 1559-1570, 12 pages, Doc 0236.
- Colinge—"A Low Voltage Low Power Microwave SOI MOSFET", IEEE International SOI Conference, 1996, pp. 128-129, 2 pages, Doc 0237.
- Douseki—"A 0.5v SIMOX-MTMCOS Circuit with 200ps Logic Gate", IEEE International Solid-State Circuits Conference 1996, pp. 84-85, 423, 3 pages, Doc 0238.
- Eggert—"CMOS/SIMOX-RF-Frontend for 1.7 GHz", Solid State Circuits Conference, 1996, 4 pages, Doc 0239.
- Gentinne—"Measurement and Two-Dimensional Simulation of Thin-Film SOI MOSFETs: Intrinsic Gate Capacitances at Elevated Temperatures", Solid-State Electronics, vol. 39, No. 11, pp. 1613-1619, 1996, 7 pages, Doc 0240.
- Hagan (or Hagen)—Radio Frequency Electronics, Cambridge University Press 1996, 194 pages, Doc 0241(A-B).
- Imai—"Novel High Isolation FET Switches", IEEE Transactions on Microwave Theory and Techniques 1996, pp. 685-691, 7 pages, Doc 0242.
- Intersil—"RF Amplifier Design Using HFA3046, HFA3096, HFA3127, HFA3128 Transistor Arrays", Intersil Corporation 1996, pp. 1-4, 4 pages, Doc 0243.
- Kuroda—"A 0.9-V, 150-Mhz, 10-mW, 4 mm², 2-D Discrete Cosine Transform Core Processor with Variable-Threshold-Voltage (VT) Scheme", Technical Paper, 1996 IEEE International Solid-State Circuits Conference, 1996 Digest of Technical Papers, pp. 166-167, 14 pages, Doc 0245.
- Larson—"RF and Microwave Circuit Design for Wireless Communications", Artech House 1996, 218 pages, Doc 0246 (A-C).
- Nakayama—"A 1.9 GHz Single-Chip RF Front-End GaAs MMIC for Persona; Communications", Microwave and Millimeter-Wave Monolithic Circuits Symposium, 1996, pp. 69-72, 4 pages, Doc 0247.
- Soyuer—"RF and Microwave Building Blocks in a Standard BiCMOS Technology", IBM T.J. Watson Research Center, 1996 IEEE, pp. 89-92, 4 pages, Doc 0249.
- Suematsu—"L-Band Internally Matched Si-MMIC Front End", IEEE, 1996, pp. 2375-2378, 4 pages, Doc 0250.

(56)

References Cited

OTHER PUBLICATIONS

- Titus—"A Silicon BICMOS Transceiver Front-End MMIC Covering 900 and 1900 MHz Applications", Hittite Microwave Corporation, IEEE 1996 Microwave and Millimeter-Wave Monolithic Circuits Symposium, pp. 73-75, 4 pages, Doc 0251.
- Uda—"A High Performance and Minuturized Dual Use (antenna/local) GaAs SPDT Switch IC Operating at +3V/0V", Microwave Symposium Digest, 1996, pp. 141-144, 4 pages, Doc 0252.
- Uda—"Minuturization and High Isolation of GaAs SPDT Switch IC Mounted in Plastic Package", 1996, 8 pages, Doc 0253.
- Yamamoto—"A GaAs RF Transceiver IS for 1.9GHz Digital Mobile Communication Systems", ISSCC96, 1996, pp. 340-341, 469, 3 pages, Doc 0254.
- Fuse—"0.5V SOI CMOS Pass-Gate Logic", 1996 IEEE Intl. Solid-State Circuits Conference, pp. 88-89, 424, 3 pages, Doc 0257.
- Iyama—"L-Band SPDT Switch Using Si-MOSFET", IEICE Trans. Electron, vol. E79-C, No. 5, May 1996, pp. 636-643, 8 pages, Doc 0260.
- Pelella—"Low-Voltage Transient Bipolar Effect Induced by Dynamic Floating-Body Charging in Scaled PD/SOI MOSFETs", IEEE Electron Device Letters, vol. 17, No. 5, May 1996, 3 pages, Doc 0261.
- Wei—"Measurements of Transient Effects in SOI DRAM/ SRAM Access Transistors", IEEE Electron Device Letters, vol. 17, No. 5, May 1996, pp. 193-195, 3 pages, Doc 0262.
- Wei—"Measurement and Modeling of Transient Effects in Partially Depleted SOI MOSFETs", M.S. Thesis, MIT, Jul. 1996, 76 pages, Doc 0265.
- Lu—"Floating Body Effects in Partially Depleted SOI CMOS Circuits", ISPLED, Aug. 1996, pp. 1-6, 6 pages, Doc 0266.
- Madihan—"A High Speed Resonance Type FET Transceiver Switch for Millimeter Wave Band Wireless Networks", 26th EuMC, 1996, pp. 941-944, 4 pages, Doc 1084.
- Chung—"A New SOI Inverter for Low Power Applications", IEEE SOI Conference, Oct. 1996, pp. 20-21, 2 pages, Doc 0267.
- Ueda—"Floating Body Effects on Propagation Delay in SOI/CMOS LSIs", IEEE SOI Conference, Oct. 1996, pp. 142-143, 2 pages, Doc 0269.
- Kuroda—"A 0.9-V, 150-Mhz, 10-mW, 4 mm², 2-D Discrete Cosine Transform Core Processor with Variable-Threshold-Voltage (VT) Scheme", IEEE Journal of Solid-State Circuits, vol. 31, No. 11, Nov. 1996, pp. 1770-1779, 10 pages, Doc 0270.
- Botto—"Series Connected Soft Switched IGBTs for High Power, High Voltage Drives Applications: Experimental Results," IEEE 1997, pp. 3-7, 5 pages, Doc 0271.
- Carr—"Secrets of RF Circuit Design", McGraw-Hill, 1997, 293 pages, Doc 0272 (A-D).
- Caverly—"A Project Oriented Undergraduate CMOS Analog Micro-electronic System Design Course", IEEE, 1997, pp. 87-88, 2 pages, Doc 0274.
- Caverly—"Distortion in Microwave Control Devices, 1997, 10 pages, Doc 0275.
- Caverly—"Distortion Properties of Gallium Arsenide and Silicon RF and Microwave Switches", IEEE, 1997, pp. 153-156, 4 pages, Doc 0276.
- Crols—"CMOS Wireless Transceiver Design", Kluwer Academic, 1997, 214 pages, Doc 0277 (A-C).
- Eggert—"A SOI-RF-CMOS Technology on High Resistivity SIMOX Substrates for Microwave Applications to 5 GHz", IEEE Transactions on Electron Devices, 1997, pp. 1981-1989, 9 pages, Doc 0278.
- Freeman—"Radio System Design for Telecommunications", Wiley, 1997, 461 pages, Doc 0279 (A-F).
- Gibson—"The Communication Handbook", CRC Press, 1997, 812 pages, Doc 0280 (A-R).
- Hickman—"Practical RF Handbook", Newnes 1997, 270 pages, Doc 0281 (A-D).
- Huang—"TFSOI Can It Meet the Challenge of Single Ship Portable Wireless Systems", IEEE International SOI Conference, 1997, pp. 1-3, 3 pages, Doc 0282.
- Ishida—"A Low Power GaAs Front End IC with Current Reuse Configuration Using 0.15 μ m Gate GaAs MODFETs", IEEE 1997, pp. 669-672, 4 pages, Doc 0283.
- Iwata—"Gate Over Driving CMOS Architecture for 0.5V Single Power Supply Operated Devices", IEEE 1997, pp. 290-291, 3, pages, Doc 0284.
- Johnson—"A Model for Leakage Control by MOS Transistor Stacking", ECE Technical Papers, 1997, pp. 1-28, 34 pages, Doc 0285.
- Johnson—"Advanced High-Frequency Radio Communication", Artech House 1997, 205 pages, Doc 0286 (A-C).
- Johnson—"Silicon-On-Sapphire MOSFET Transmit/Receive Switch for L and S Band Transceiver Applications", Electronic Letters, 1997, pp. 1324-1326, 3 pages, Doc 0287.
- Kanda—"High Performance 19 GHz Band GaAs FET Using LOXI (Layered Oxide Isolation)—MESFETs", IEEE, 1997, pp. 62-65, 4 pages.
- Lossee—"RF Systems, Components, and Circuits Handbook", Artech House 1997, 314 pages, Doc 0290 (A-D).
- Madihan—"A 2-V, 1-10GHz BiCMOS Transceiver Chip for Multimode Wireless Communications Networks", IEEE 1997, pp. 521-525, 5 pages, Doc 0291.
- Nishijima—"A High Performance Transceiver Hybrid IC for PHS Hand Set Operating with Single Positive Voltage Supply", Microwave Symposium Digest 1997, pp. 1155-1158, 4 pages, Doc 0293.
- Philips Semiconductors—"SA630 Single Pole Double Throw (SPDT) Switch", 1997, 14 pages, Doc 0294.
- Razavi—"Next Generation RF Circuits and Systems", IEEE 1997, pp. 270-282, 13 pages, Doc 0295.
- Schaper—"Communications, Computations, Control, and Signal-Processing", Kluwer Academic, 1997, 308 pages, Doc 0296 (A-D).
- Suematsu—"On-Chip Matching SI-MMIC for Mobile Communication Terminal Application", IEEE 1997, pp. 9-12, 4 pages, Doc 0297.
- Wada—"Active Body-Bias SOI-CMOS Driver Circuits", Symposium on VLSI Circuits Digest of Technical Papers, 1997, pp. 29-30, 2 pages, Doc 0298.
- Fuse—"A 0.5V 200MHz 1-Stage 32b ALU Using a Body Bias Controlled SOI Pass-Gate Logic", IEEE Intl Solid-State Circuits Conference, Feb. 1997, 3 pages, Doc 0299.
- Shimomura—"TP 4.3: A 1V 46ns 16Mb SOI-DRAM with Body Control Technique", 1997 IEEE Intl Solid-State Circuits Conference, Feb. 1997, 9 pages, Doc 0300.
- Ueda—"A CAD Compatible SOI/CMOS Gate Array Having Body Fixed Partially Depleted Transistors", IEEE International Solid-State Circuits Conference, Feb. 8, 1997, pp. 288-289, 3 pages, Doc 0301.
- Assaderaghi—"Dynamic Threshold Voltage MOSFET (DTMOS) for Ultra Low Voltage VLSI", IEEE Transactions on Electron Devices, vol. 44, No. 3, Mar. 1997, pp. 414-422.
- Schlechtweg—"Multifunctional Integration Using HEMT Technology", Fraunhofer Institute for Applied Solid State Physics, (date uncertain, believed Mar. 1997), 18 pages, Doc 0306.
- Rohde—"Optic/Millimeter-Wave Converter for 60 GHz Radio-Over-Fiber Systems", Fraunhofer-Institut fur Angerwandte Festkorperphysik Freiburg i. Br., Apr. 1997, pp. 1-5, 5 pages, Doc 0307.
- Smuk—"Monolithic GaAs Multi-Throw Switches with Integrated Low Power Decoder/Driver Logic", May 1997, IEEE Radio Frequency Integrated Circuits, 4 pages, Doc 0308.
- Suehle—"Low Electric Field Breakdown of Thin SiO₂ Films Under Static and Dynamic Stress", IEEE Transactions on Electron Devices, vol. 44, No. 5, May 1997, 8 pages, Doc 0309.
- Suehle—"Low Electric Field Breakdown of Thin SiO₂ Films Under Static and Dynamic Stress", IEEE Transactions on Electron Devices, vol. 44, No. 5, May 1997. pp 801-808, 8 pages, Doc 0310.
- Assaderaghi—"Transient Pass-Transistor Leakage Current in SOI MOSFETs", IEEE Electron Device Letters, vol. 18, No. 6, Jun. 1997, pp. 241-243, 3 pages, Doc 0312.
- Chung—"A New SOI Inverter Using Dynamic Threshold for Low-Power Applications", IEEE Electron Device Letters, vol. 18, No. 6, Jun. 1997, pp. 248-250, 3 pages, Doc 0313.

(56)

References Cited

OTHER PUBLICATIONS

- Kuang—"SRAM Bitline Circuits on PD SOI: Advantages and Concerns", *IEEE Journal of Solid State Circuits*, vol. 32, No. 6, Jun. 1997, pp. 837-844, 8 pages, Doc 0314.
- Smuk—"Monolithic GaAs Multi-Throw Switches with Integrated Low-Power Decoder-Driver Logic", Hitite Microwave Corporation, Jun. 1997, 4 pages, Doc 0317.
- Wang—"Efficiency Improvement in Charge Pump Circuits", *IEEE Journal of Solid-State Circuits*, vol. 32, No. 6, Jun. 1997, pp. 852-860, 9 pages, Doc 0318.
- Caverly—"A Silicon CMOS Monolithic RF and Microwave Switching Element", 27th European Microwave Conference, 1987, pp. 1046-1051, 10 pages, Doc 0166.
- Douseki—"A 0.5-V MTCMOS/SIMOX Logic Gate", *IEEE Journal of Solid-State Circuits*, vol. 32, No. 10, Oct. 1997, 6 pages, Doc 0320.
- Krishnan—"Efficacy of Body Ties Under Dynamic Switching Conditions in Partially Depleted SOI CMOS Technology", *Proceedings IEEE Intl SOI Conference*, Oct. 1997, pp. 140-141, 2 pages, Doc 0321.
- Workman—"Dynamic Effects in BTG/SOI MOSFETs and Circuits Due to Distributed Body Resistance", *Proceedings 1997 IEEE International SOI Conference*, Oct. 1997, pp. 28-29, 2 pages, Doc 0322.
- Shimomura—"A 1-V 46-ns 16-mb SOI-DRAM with Body Control Technique", *IEEE Journal of Solid-State Circuits*, vol. 32, No. 11, Nov. 1997, pp. 1712-1720, 9 pages, Doc 0323.
- Philips Semiconductors—Product Specificate, IC17 Data Handbook, Nov. 7, 1997, pp. 1-14, 14 pages, Doc 0324.
- Edwards—"The Effect of Body Contact Series Resistance on SOI CMOS Amplifier Stages", *IEEE Transactions on Electron Devices*, vol. 44, No. 12, Dec. 1997, pp. 2290-2294, 5 pages, Doc 0325.
- Caverly—"CMOS RF Circuits for Integrated Wireless Systems", *IEEE* 1998, pp. 1-4, 4 pages, Doc 0328.
- Caverly—"Development of a CMOS Cell Library for RF Wireless and Telecommunications Applications", *VLSI Symposium*, 1998, 6 pages, Doc 0329.
- Caverly—"Nonlinear Properties of Gallium Arsenide and Silicon FET-Based RF and Microwave Switches", *IEEE* 1998, pp. 1-4, 4 pages, Doc 0330.
- Choumei—"A High Efficiency, 2V Single Supply Voltage Operation RF Front End MMIC for 1.9GHz Personal Handy Phone Systems", *IEEE*, 1998, pp. 73-76, 4 pages, Doc 0331.
- Henshaw—"Design of an RF Transceiver", *IEEE Colloquium on Analog Signal Processing*, 1998, 6 pages, Doc 0332.
- Johnson—"Advanced Thin Film Silicon-on-Sapphire Technology: Microwave Circuit Applications", *IEEE Transactions on Electron Devices*, vol. 45, No. 5, May 1988, pp. 1047-1054, 8 pages, Doc 0334 (A-B).
- Larson—"Integrated Circuit Technology Options for RFICs—Present Status and Future Directions", *IEEE Journal of Solid-State Circuits*, 1998, pp. 387-399, 13 pages, Doc 0335.
- Maas—"The RF and Microwave Circuit Design Cookbook", Artech House 1998, 149 pages, Doc 0336 (A-B).
- Masuda—"High Power Heterojunction GaAs Switch IC with P-1dB of More than 38dBm for GSM Application", *IEEE*, 1998 pp. 229-232, 4 pages, Doc 0337.
- Matsumoto—"A Novel High Frequency Quasi-SOI Power MOSFET for Multi-Gigahertz Application", *IEEE*, 1998, pp. 945-948, 4 pages, Doc 0338.
- Megahed—"Low Cost UTSi Technology for RF Wireless Applications", *Peregrine Semiconductor Corporation, IEEE MTT-S Digest*, 1998, pp. 981-984, 4 pages, Doc 0339.
- Moye—"A Compact Broadband, Six-Bit MMIC Phasor with Integrated Digital Drivers+", *IEEE 1990 Microwave and Millimeter-Wave Monolithic Circuits Symposium*, 1998 *IEEE*, pp. 123-126, 4 pages, Doc 0341.
- Nakayama—"A 1.9 GHz Single-Chip RF Front-End GaAs MMIC with Low-Distortion Cascade FET Mixer for Personal Handy-Phone System Terminals", *IEEE*, 1998, pp. 101-104, Doc 0342.
- Park—"A Regulated, Charge Pump CMOS DC/DC Converter for Low Power Application", 1998, pp. 1-62, 62 pages, Doc 0343.
- Razavi—"RF Microelectronics", Prentice-Hall, 1998, 179 pages, Doc 0344.
- Schindler—"DC-20 GHZ N X M Passive Switches", Raytheon Co., 1998 *IEEE MTT-S Digest*, pp. 1001-1005, 5 pages, Doc 0345.
- Smith—"Modern Communication Circuits", McGraw-Hill 1998, 307 pages, Doc 0347 (A-D).
- Stuber—"SOI CMOS with High Performance Passive Components for Analog, RF and Mixed Signal Designs", *IEEE International SOI Conference*, 1998, pp. 99-100, 2 pages, Doc 0348.
- Tsutsumi—"A Single Chip PHS Front End MMIC with a True Single +3 Voltage Supply", *IEEE Radio Frequency Integrated Circuits Symposium*, 1998, pp. 105-108, 4 pages, Doc 0349.
- Yamamoto—"Design and Experimental Results of a 2V-Operation Single Chip GaAs T/R MMIC Front-End for 1.9 GHz Personal Communications", *IEEE* 1998, pp. 7-12, 6 pages, Doc 0350.
- Wei—"Effect of Floating-Body Charge on SOI MOSFET Design", *IEEE Transaction on Electron Devices*, vol. 45, No. 2, Feb. 1998, 9 pages, Doc 0352.
- Koh—"Body-Contracted SOI MOSFET Structure and its Application to DRAM", *IEEE Transactions on Electron Devices*, vol. 45, No. 5, May 1998, pp. 1063-1070, 8 pages, Doc 0354.
- Kawakyu—"A 2-V Operation Resonant Type T/R Switch with Low Distortion Characteristics for 1.9GHz PHS", *IEICE Trans Electron*, vol. E81-C, No. 6, Jun. 1998, pp. 862-867, 60 pages, Doc 0356.
- Tseng—"Comprehensive Study on AC Characteristics in SOI MOSFETs for Analog Applications", 1998 *Symposium on VLSI Technology Digest of Technical Papers*, Jun. 1998, 2 pages, Doc 0357.
- Tseng—"Comprehensive Study on AC Characteristics in SOI-MOSFETs for Analog Applications", 1998 *Symposium on VLSI Technology Digest of Technical Papers*, Jun. 1998, 2 pages, Doc 0355.
- Mishra—"High Power Broadband Amplifiers for 1-18 GHz Naval Radar" University of California, Santa Barbara, pp. 1-9, Jul. 1, 1998, 9 pages, Doc 0358.
- Rossek—"Direct Optical Control of a Microwave Phase Shifter Using GaAs Field-Effect Transistors", *Communications Research Group, School of Electronic Engineering, Faculty of Technology, Middlesex University*, Sep. 1998, 224 pages, Doc 0361.
- Lee—"Effect of Body Structure on Analog Performance of SOI NMOSFETs", 1988 *IEEE International SOI Conference*, Oct. 1998, pp. 61-62, 2 pages, Doc 0365.
- Pelella—"Control of Off-State Current in Scaled PD/SOI CMOS Digital Circuits", *Proceedings IEEE Intl SOI Conference*, Oct. 1998, pp. 147-148, 2 pages, Doc 0367.
- Workman—"A Comparative Analysis of the Dynamic Behavior of BTG/SOI MOSFET's and Circuits with Distributed Body Resistance", *IEEE Transactions and Electron Devices*, vol. 45, No. 10, Oct. 1998, pp. 2138-2145, 8 pages, Doc 0368.
- Mizutani—"Compact DC-60-GHz HJFET MMIC Switches using Ohmic Electrode-Sharing Technology", *IEEE Transactions on Microwave Theory and Techniques*, vol. 46, No. 11, Nov. 1998, pp. 1597-1603, 7 pages, Doc 0371.
- Linear Technology—"LTC1550L/LTC1551L: Low Noise Charge Pump Inverters in MS8 Shrink Cell Phone Designs", published Dec. 1998, pp. 1-2, 2 pages, Doc 0372.
- Sleight—"Transient Measurements of SOI Body Contact Effectiveness", *IEEE Electron Device Letters*, vol. 19, No. 12, Dec. 1998, pp. 499-501, 3 pages, Doc 0373.
- Analog Devices—"CMOS, Low Voltage RF/Video, SPST Switch", *Analog Devices, Inc.* 1999, pp. 1-10, 10 pages, Doc 0376.
- Caverly—"High Power Gallium Nitride Devices for Microwave and RF Control Applications", 1999, pp. 1-30, 30 pages, Doc 0377.
- Caverly—"Linear and Nonlinear Characteristics of the Silicon CMOS Monolithic 50-Omega Microwave and RF Control Element", *IEEE Journal of Solid-State Circuits*, vol. 34, No. 1, Jan. 1999, pp. 124-126, 3 pages, Doc 0378.
- Derossi—"A Routing Switch Based on a Silicon-on-Insulator Mode Mixer", *IEEE Photonics Technology Letters*, 1999, pp. 194-196, 3 pages, Doc 0380.
- Doyama—"Class E Power Amplifier for Wireless Transceivers", *University of Toronto*, 1999, pp. 1-59, 59 pages, Doc 0382.

(56)

References Cited

OTHER PUBLICATIONS

- Flandre—"Fully Depleted SOI CMOS Technology for Low Voltage Low Power Mixed Digital/Analog/Microwave Circuits", *Analog Integrated Circuits and Signal Processing*, 1999, pp. 213-228, 16 pages, Doc 0383.
- Gil—"A High Speed and Low Power SOI Inverter Using Active Body-Bias", *Solid-State Electronics*, vol. 43, 1999, pp. 791-799, 9 pages, Doc 0384.
- Harris—"CMOS Analog Switches", 1999, pp. 1-9, 9 pages, Doc 0385.
- Harris Corporation—HI-5042 thru HI-5051 Datasheet, 1999, 9 pages, Doc 0386.
- Hess—"Transformerless Capacitive Coupling of Gate Signals Operation of Power MOS Devices", *IEEE* 1999, pp. 673-675, 3 pages, Doc 0387.
- Hu—"A Unified Gate Oxide Reliability Model", *IEEE 37th Annual International Reliability Physics Symposium*, 1999, pp. 47-51, 5 pages, Doc 0388.
- Intersil—"Radiation Hardened CMOS Dual DPST Analog Switch", *Intersil* 1999, pp. 1-2, 2 pages, Doc 0391.
- Lee—"CMOS RF: (Still) No Longer an Oxymoron (Invited)", *IEEE Radio Frequency Integrated Circuits Symposium*, 1999, pp. 3-6, 4 pages, Doc 0392.
- Lindert—"Dynamic Threshold Pass-Transistor Logic for Improved Delay at Lower Power Supply Voltages", *IEEE Journal of Solid-State Circuits*, vol. 34, No. 1, Jan. 1999, pp. 85-89, 5 pages, Doc 0394.
- Madihan—"CMOS RF Ics for 900MHz—2.4GHz Band Wireless Communications Networks", *IEEE Radio Frequency Integrated Circuits Symposium*, 1999, pp. 13-16, 4 pages, Doc 0395.
- Masuda—"RF Current Evaluation of Ics by MP-10L", *NEC Research and Development*, vol. 40-41, 1999, pp. 253-258, 7 pages, Doc 0400.
- Miller—"Modern Electronic Communications", Prentice-Hall 1999, 414 pages, Doc 0401 (A-E).
- Nagayama—"Low Insertion Loss DP3T MMIC Switch for Dual Band Cellular Phones", *IEEE Journal of Solid State Circuits* 1999, pp. 1051-1055, 5 pages, Doc 0402.
- Newman—"Radiation Hardened Power Electronics", *Intersil Corporation*, 1999, pp. 1-4, 4 pages, Doc 0403.
- Pelella—"Analysis and Control of Hysteresis in PD/SOI CMOS", *University of Florida, Gainesville, FL*, 1999, *IEEE*, p. 34.5.1-34.5.4, 4 pages, Doc 0404.
- Reedy—"Single Chip Wireless Systems Using SOI", *IEEE International SOI Conference*, 1999, pp. 8-11, 4 pages, Doc 0405.
- Shahidi—"Partially Depleted SOI Technology for Digital Logic", *IEEE Intl Solid-State Circuits Conference*, 1999, pp. 426-427, 2 pages, Doc 0408.
- Smuk—"Multi-Throw Plastic MMIC Switches Up to 6GHz with Integrated Positive Control Logic", *IEEE* 1999, pp. 259-262, 4 pages, Doc 0409.
- Tseng—"Characterization of Floating Body and Body-Grounded Thin Film Silicon-on-Insulator MOSFETs for Analog Circuit Applications", *Ph.D Thesis, UCLA*, 1999, 240 pages, Doc 0410.
- Wambacq—"A Single Package Solution for Wireless Transceivers", *IEEE* 1999, pp. 1-5, 5 pages, Doc 0411.
- Wei—"Large-Signal Model of Triple-Gate MESFET/PHEMT for Switch Applications", *Alpha Industries, Inc.*, 1999 *IEEE*, pp. 745-748, 4 pages, Doc 0412.
- McRory—"Transformer Coupled Stacked FET Power Amplifier", *IEEE Journal of Solid State Circuits*, vol. 34, No. 2, Feb. 1999, pp. 157-161, 5 pages, Doc 0413.
- Pelloie—"WP 25.2: SOI Technology Performance and Modeling", *1999 IEEE Intl. Solid-State Circuits Conference*, Feb. 1999, 9 pages, Doc 0414.
- Shoucair—"Modeling, Decoupling and Suppression of MOSFET Distortion Components", *IEEE Proceeding Circuit Devices Systems*, vol. 146, No. 1, Feb. 1999, 7 pages, Doc 0415.
- Takamiya—"High-Performance Accumulated Back-Interface Dynamic Threshold SOI MOSFET (AB-DTMOS) with Large Body Effect at Low Supply Voltage", *Japanese Journal of Applied Physics*, vol. 38 (1999), Part 1, No. 4B, Apr. 1999, pp. 2483-2486, 4 pages, Doc 0416.
- Ernst—"Detailed Analysis of Short-Channel SOI DT-MOSFET", *Laboratoire de Physique des Composants a Semiconducteurs, Enserg, France*, Sep. 1999, pp. 380-383, 4 pages, Doc 0421.
- Hsu—"Comparison of Conventional and Thermally-Stable Cascode (TSC) A;GaAs/GaAs HBTs for Microwave Power Applications", *Journal of Solid-State Electronics*, V. 43, Sep. 1999, 2 pages, Doc 0422.
- Ferlet-Cavrois—"High Frequency Characterization of SOI Dynamic Threshold Voltage MOS (DTMOS) Transistors", *1999 IEEE International SOI Conference*, Oct. 1999, pp. 24-25, 2 pages, Doc 0423.
- Kuang—"A Dynamic Body Discharge Technique for SOI Circuit Applications", *IEEE International SOI Conference*, Oct. 1999, pp. 77-78, 2 pages, Doc 0424.
- Adan—"Linearity and Low Noise Performance of SOI MOSFETs for RF Applications", *IEEE International SOI Conference*, 2000, pp. 30-31, 2 pages, Doc 0426.
- Bernstein—"SOI Circuit Design Concepts", *Springer Science + Business Media* 2000, 239 pages, Doc 0427 (A-B).
- Bolam—"Reliability Issues for Silicon-on-Insulator", *IBM Microelectronics Division, IEEE* 2000, p. 6.4.1-6.4.4, 4 pages, Doc 0428.
- Bullock—"Transceiver and System Design for Digital Communication", *Noble* 2000, 142 pages, Doc 0431 (A-B).
- Caverly—"High Power Gallium Nitride Devices for Microwave and RF Control Applications", 2000, pp. 1-33, 35 pages, Doc 0432.
- Caverly—"On-State Distortion in High Electron Mobility Transistor Microwave and RF Switch Control Circuits", *IEEE Transactions on Microwave Theory and Techniques*, 2000, pp. 98-103, 6 pages, Doc 0433.
- Caverly—"Spice Modeling of Microwave and RF Control Diodes", *IEEE* 2000, pp. 28-31, 4 pages, Doc 0434.
- Cristoloveanu—"State-of-the-art and Future of Silicon on Insulator (SOI) Technologies, Materials and Devices", *Microelectronics Reliability* 40 (2000), pp. 771-777, 7 pages, Doc 0435.
- Giugni—"A Novel Multi-Port Microwave/Millimeter-Wave Switching Circuit", *Microwave Conference*, 2000, 4 pages, Doc 0436.
- Hittite Microwave—"Positive Bias GaAs Multi-Throw Switches with Integrated TTL Decoders", *Hittite Microwave*, 2000, 5 pages, Doc 0438.
- Hittite Microwave—"Wireless Symposium 2000 is Stage for New Product Introductions", *Hittite Microwave* 2000, pp. 1-8, 8 pages, Doc 0439.
- Huang—"A 900-MHz T/R Switch with a 0.8-dB Insertion Loss Implemented in a 0.5- μ m CMOS Process", *IEEE Custom Integrated Circuits Conference*, 2000, pp. 341-344, 4 pages, Doc 0440.
- Kumar—"A Simple High Performance Complementary TF-SOI BiCMOS Technology with Excellent Cross-Talk Isolation" *IEEE International SOI Conference* 2000, pp. 142-143, 2 pages, Doc 0444.
- Lee—"Harmonic Distortion Due to Narrow Width Effects in Deep Submicron SOI-CMOS Device for Analog RF Applications", *2002 IEEE International SOI Conference*, Oct. 2002, pp. 83-85, 3 pages, Doc 0445.
- Montorio—"3.6V and 4.8V GSM/DCS1800 Dual Band PA Application with DECT Capability Using Standard Motorola RFICs", 2000, p. 1-20, 20 pages, Doc 0446.
- Silicon Wave—"Silicon Wave SiW1502 Radio Modem IC", *Silicon Wave*, 2000, pp. 1-21, 21 pages, Doc 0447.
- Street—"R.F. Switch Design", *The Institution of Electrical Engineers*, 2000, p. 4/1-4/7, 7 pages, Doc 0448.
- Weigand—"An ASIC Driver for GaAs FET Control Components", *Technical Feature, Applied Microwave & Wireless*, 2000, pp. 42-48, 4 pages, Doc 0449.
- Weisman—"The Essential Guide to RF and Wireless", *Prentice-Hall* 2000, 133 pages, Doc 0450 (A-B).
- Hiramoto—"Low Power and Low Voltage MOSFETs with Variable Threshold Voltage Controlled by Back-Bias", *IEICE Trans. Electron*, vol. E83-C, No. 2, Feb. 2000, pp. 161-169, 9 pages, Doc 0437.
- Lascari—"Accurate Phase Noise Prediction in PLL Synthesizers", *Applied Microwave & Wireless*, published May 2000, pp. 90-96, 4 pages, Doc 0452.

(56)

References Cited

OTHER PUBLICATIONS

Lauterbach—"Charge Sharing Concept and New Clocking Scheme for Power Efficiency and Electromagnetic Emission Improvement of Boosted Charge Pumps", IEEE Journal of Solid-State Circuits, vol. 35, No. 5, May 2000, pp. 719-723, 5 pages, Doc 0453.

Yang—"Sub-100nm Vertical MOSFETs with Si_{1-x-y}GexCy Source/Drains", a dissertation presented to the faculty of Princeton University, Jun. 2000, 272 pages, Doc 0455.

Wang—"A Novel Low-Voltage Silicon-on-Insulator (SOI) CMOS Complementary Pass-Transistor Logic (CPL) Circuit Using Asymmetrical Dynamic Threshold Pass-Transistor (ADTPT) Technique", Proceedings of the 43rd IEEE Midwest Symposium on Circuits and Systems, Aug. 2000, pp. 694-697, 4 pages, Doc 0458.

Eastman—"High Power, Broadband, Linear, Solid State Amplifier", 16th Quarterly Rep. under MURI Contract No. N00014-96-1-1223 for period Jun. 1, 2000 to Aug. 31, 2000, Sep. 2000, 8 pages, Doc 0459.

Rauly—"Investigation of Single and Double Gate SOI MOSFETs in Accumulation Mode for Enhanced Performances and Reduced Technological Drawbacks", Proceedings 30th European Solid-State Device Research Conference, Sep. 2000, pp. 540-543, 4 pages, Doc 0460.

Casu—"Comparative Analysis of PD-SOI Active Body-Biasing Circuits", IEEE Intl SOI Conference, Oct. 2000, pp. 94-95, 2 pages, Doc 0462.

Kuang—"A High-Performance Body-Charge-Modulated SOI Sense Amplifier", IEEE International SOI Conference, Oct. 2000, pp. 100-101, 2 pages, Doc 0463.

Saccamango—"An SOI Floating Body Charge Monitor Technique", IEEE International SOI Conference, Oct. 2000, pp. 88-89, 2 pages, Doc 0464.

Terauchi—"A Novel 4T SRAM Cell Using 'Self-Body-Biased' SOI MOSFET Structure Operating as 0/5 Volt", IEEE International SOI Conference, Oct. 2000, pp. 108-109, 2 pages, Doc 0465.

Yeh—"High Performance 0.1 μ m Partially Depleted SOI CMOSFET", 2000 IEEE International SOI Conference, Oct. 2000, pp. 68-69, 2 pages, Doc 0466.

Assaderaghi—"DTMOS: Its Derivatives and Variations, and Their Potential Applications", The 12th Intl Conference on Microelectronics, Nov. 2000, pp. 9-10, 2 pages, Doc 0467.

Mashiko—"Ultra-Low Power Operation of Partially-Depleted SOI CMOS Integrated Circuits", IEICE Transactions on Electronic Voltage, No. 11, Nov. 2000, pp. 1697-1704, 8 pages, Doc 0468.

Nork—"New Charge Pumps Offer Low Input and Output Noise", Linear Technology Corporation, Design Notes, Design Note 243, published Nov. 2000, pp. 1-2, 2 pages, Doc 0469.

Rozeau—"SOI Technologies Overview for Low Power Low Voltage Radio Frequency Applications", Analog Integrated Circuits and Signal Processing, Nov. 2000, pp. 93-114, 22 pages, Doc 0470.

Ajjkuttira—"A Fully Integrated CMOS RFIC for Bluetooth Applications", IEEE International Solid-State Circuits Conference, 2001, pp. 1-3, 3 pages, Doc 0473.

Caverly—"Gallium Nitride-Based Microwave and RF Control Devices", 2001, 17 pages, Doc 0475.

Chang—"Investigations of Bulk Dynamic Threshold-Voltage MOSFET with 65 GHz 'Normal-Mode' Ft and 220GHz 'Over-Drive Mode' FT for RF Applications", Institute of Electronics, National Chiao-Tung University, Taiwan, 2001 Symposium on VLSI Technology Digest of Technical Papers, pp. 89-90, 2 pages, Doc 0476.

Couch—"Digital and Analog Communication Systems", 2001, Prentice-Hall, 398 pages, Doc 0477 (A-E).

Darabi—"A 2.4GHz CMOS Transceiver for Bluetooth", IEEE, 2001, pp. 89-92, 3 pages, Doc 0479.

Drake—"Dynamic-Threshold Logic for Low Power VLSI Design", www.research.ibm.com/acas, 2001, 5 pages, Doc 0480.

Drozdovsky—"Large Signal Modeling of Microwave Gallium Nitride Based HFETs", Asia Pacific Microwave Conference, 2001, pp. 248-251, 4 pages, Doc 0481.

Dunga—"Analysis of Floating Body Effects in Thin Film SOI MOSFETs Using the GIDL Current Technique", Proceedings of the

8th International Symposium on Physical and Failure Analysis of Integrated Circuits, 2001, pp. 254-257, 4 pages, Doc 0482.

Fiorenza—"RF Power Performance of LDMOSFETs on SOI: An Experimental Comparison with Bulk Si MOSFETs", IEEE Radio Frequency Integrated Circuits Symposium, 2001, pp. 43-46, 4 pages, Doc 0483.

Fukuda—"SOI CMOS Device Technology", OKI Technical Review, Special Edition on 21st Century Solutions, 2001, pp. 54-57, 4 pages, Doc 0484.

Gould—"NMOS SPDT Switch MMIC with >48dB Isolation and 30dBm IIP3 for Applications within GSM and UMTS Bands", Bell Labs, 2001, pp. 1-4, 4 pages, Doc 0486.

Gu—"A High Performance GaAs SP3T Switch for Digital Cellular Systems", IEEE MTT-S Digest, 2001, pp. 241-244, 4 pages, Doc 0487.

Hittite Microwave—Floating Ground SPNT MMIC Switch Driver Techniques, 2001, 4 pages, Doc 0488.

Honeywell—"CMOS SOI Technology", 2001, pp. 1-7, 7 pages, Doc 0489.

Honeywell—"Honeywell SPDT Reflective RF Switch", Honeywell Advance Information, 2001, pp. 1-3, 3 pages, Doc 0490.

Huang—"A 2.4-GHz Single-Pole Double Throw T/R Switch with 0.8-dB Insertion Loss Implemented in a CMOS Process (slides)", Silicon Microwave Integrated Circuits and Systems Research, 2001, pp. 1-16, 16 pages, Doc 0492.

Huang—"A 2.4-GHz Single-Pole Double Throw T/R Switch with 0.8-dB Insertion Loss Implemented in a CMOS Process", Silicon Microwave Integrated Circuits and Systems Research, 2001, pp. 1-4, 4 pages, Doc 0493.

Huang—"Schottky Clamped MOS Transistors for Wireless CMOS Radio Frequency Switch Application", University of Florida, 2001, pp. 1-167, 167 pages, Doc 0494.

Itoh—"RF Technologies for Low Power Wireless Communications", Wiley, 2001, 244 pages, Doc 0495 (A-C).

Karandikar—"Technology Mapping for SOI Domino Logic Incorporating Solutions for the Parasitic Bipolar Effect", ACM 2001, pp. 1-14, 14 pages, Doc 0496.

Koh—"Low-Voltage SOI CMOS VLSI Devices and Circuits", Wiley Interscience, XP001090589, New York, 2001, 215 pages, Doc 0497 (A-C).

Koo—"RF Switches", Univ. Toronto, Elec. and Computer Engineering Dept. 2001, 12 pages, Doc 0498.

Kuo—"Low Voltage SOI CMOS VLSI Devices and Circuits", Wiley, 2001, pp. 57-60, 349-354, 215 pages, Doc 0499 (A-C).

Leenaerts—"Circuits Design for RF Transceivers", Kluwer Academic, 2001, 179 pages, Doc 0501 (A-B).

Marenk—"Layout Optimization of Cascode RF SOI Transistors", IEEE International SOI Conference, 2001, pp. 105-106, 2 pages, Doc 0502.

Misra—"Radio Frequency and Microwave Communication Circuits", Wiley 2001, 297 pages, Doc 0503 (A-C).

Morreale—"The CRC Handbook of Modern Telecommunication", CRC Press 2001, 228 pages, Doc 0504 (A-F).

Nakatani—"A Wide Dynamic Range Switched-LNA in SiGe BICMOS", IEEE Radio Frequency Integrated Circuits Symposium, 2001, pp. 223-226, 4 pages, Doc 0505.

Narendra—"Scaling of Stack Effects and its Application for Leakage Reduction", ISLPED2001, 2001, pp. 195-200, 6 pages, Doc 0506.

Pozar—"Microwave and RF Design of Wireless Systems", Wiley 2001, 192 pages, Doc 0507 (A-B).

Reedy—"UTSi CMOS: A Complete RF SOI Solution", Peregrine Semiconductor Corporation, 2001, 6 pages, Doc 0509.

Salva (or Savla)—"Design and Simulation of a Low Power Bluetooth Transceiver", The University of Wisconsin, 2001, pp. 1-90, 90 pages, Doc 0510.

Sayre—"Complete Wireless Design", McGraw-Hill 2001, 284 pages, Doc 0511 (A-D).

Shimura—"High Isolation V-Band SPDT Switch MMIC for High Power Use", IEEE MTT-S International Microwave Symposium Digest, 2001, pp. 245-248, 4 pages, Doc 0512.

Sudhama—"Compact Modeling and Circuit Impact of Novel Frequency Dependence of Capacitance in RF MOSFETs", Nano Sci-

(56)

References Cited

OTHER PUBLICATIONS

ence and Technology Institute, Technical Proceedings of the 2001 Intl Conference of Modeling and Simulation of Microsystems, 4 pages, Doc 0513.

Wetzel—"Silicon-on-Sapphire Technology for Microwave Power Application", University of California, San Diego, 2001, 229 pages, Doc 0514 (A-B).

Cheng—"Gate-Channel Capacitance Characteristics in the Fully-Depleted SOI MOSFET", IEEE Transactions on Electron Devices, vol. 48, No. 2, Feb. 2001, pp. 388-391, 4 pages, Doc 0515.

Gritsch—"Influence of Generation/Recombination Effects in Simulations of Partially Depleted SOI MOSFETs", Solid-State Electronics 45 (2001), Received Dec. 22, 2000, accepted Feb. 14, 2001, pp. 621-627, 7 pages, Doc 0516.

Huang—"A 0.5- μ m CMOS T/R Switch for 900-MHz Wireless Applications", IEEE Journal of Solid-State Circuits, vol. 36, No. 3, Mar. 2001, pp. 486-492, 8 pages, Doc 0517.

Maxin Integrated Products—"Charge Pumps Shine in Portable Designs", published Mar. 15, 2001, pp. 1-16, 16 pages, Doc 0518.

Adriaensen—"Analysis and Potential of the Bipolar-and Hybrid-Mode Thin-Film SOI MOSFETs for High-Temperature Applications", Laboratoire de Microelectronique, Universite Catholique de Louvain, May 2001, 5 pages, Doc 0519.

Chung—"SOI MOSFET Structure with a Junction Type Body Contact for Suppression of Pass Gate Leakage", IEEE Transactions on Electron Devices, vol. 48, No. 7, Jul. 2001, pp. 1360-1365, 6 pages, Doc 0520.

Burgener—"CMOS SOS Switches Offer Useful Features, High Integration", CMOS SOS Switches, Microwaves & RF, Aug. 2001, pp. 107-118, 7 pages, Doc 0523.

Casu—"Synthesis of Low-Leakage PD-SOI Circuits with Body Biasing", Intl Symposium on Low Power Electronics and Design, pp. 287-290, Aug. 6-7, 2001, 4 pages, Doc 0524.

Makioka—"Super Self Aligned GaAs RF Switch IC with 0.25dB Extremely Low Insertion Loss for Mobile Communication Systems", IEEE Transactions on Electron Devices, vol. 48, No. 8, August 2001, pp. 1510-1514, 2 pages, Doc 0525.

Dehan—"Alternative Architectures of SOI MOSFET for Improving DC and Microwave Characteristics", Microwave Laboratory, Universite Catholique de Louvain, Sep. 2001, 4 pages, Doc 0529.

Texas Instruments—"TPS60204, TPS60205, Regulated 3.3-V, 100-mA Low-Ripple Charge Pump Low Power DC/DC Converters", published Feb. 2001, rev. Sep. 2001, pp. 1-18, 18 pages, Doc 0530.

Casu—"High Performance Digital CMOS Circuits in PD-SOI Technology: Modeling and Design", Tesi di Dottorato di Ricerca, Gennaio 2002, Politecnico di Torino, Corso di Dottorato di Ricerca in Ingegneria Elettronica e delle Comunicazioni, 200 pages, Doc 0532.

De Boer—"Highly Integrated X-Band Multi-Function MMIC with Integrated LNA and Driver Amplifier", TNO Physics and Electronics Laboratory, 2002, pp. 1-4, 4 pages, Doc 0534.

Hanzo—"Adaptive Wireless Transceivers", Wiley, 2002, 379 pages, Doc 0535 (A-E).

Honeywell—"CMOS SOI RF Switch Family", 2002, pp. 1-4, 4 pages, Doc 0536.

Honeywell—"Honeywell SPDT Absorptive RF Switch", Honeywell, 2002, pp. 1-6, 6 pages, Doc 0537.

Jeon—"A New "Active" Predistorter with High Gain Using Cascode-FET Structures", IEEE Radio Frequency Integrated Circuits Symposium, 2002, pp. 253-256, 4 pages, Doc 0538.

Koudymov—"Low Loss High Power RF Switching Using Multifinger AlGaIn/GaN MOSHFETs", University of South Carolina Scholar Commons, 2002, pp. 449-451, 5 pages, Doc 0539.

Lee—"Analysis of Body Bias Effect with PD-SOI for Analog and RF Application", Solid State Electron, vol. 46, 2002, pp. 1169-1176, 8 pages, Doc 0540.

Marshall—"SOI Design: Analog, Memory, and Digital Techniques", Kluwer Academic Publishers, 2002, 414 pages, Doc 0543.

Numata—"A +2.4/0 V Controlled High Power GaAs SPDT Antenna Switch IC for GSM Application", IEEE Radio Frequency Integrated Circuits Symposium, 2002, pp. 141-144, 4 pages, Doc 0544.

O—"CMOS Components for 802.11b Wireless LAN Applications", IEEE Radio Frequency Integrated Circuits Symposium, 2002, pp. 103-106, 4 pages, Doc 0545.

Ohnakado—"A 1.4dB Insertion Loss, 5GHz Transmit/Receive Switch Utilizing Novel Depletion-Layer Extended Transistors (DETs) in 0.18 μ m CMOS Process", Symposium on VLSI Circuits Digest of Technical Papers, 2002, pp. 162-163, 2 pages, Doc 0546.

Peczalski—"RF/Analog/Digital SOI Technology GPS Receivers and Other Systems on a Chip", IEEE Aerospace Conference Proceedings, 2002, pp. 2013-2017, 5 pages, Doc 0547.

Shafi—"Wireless Communications in the 21st Century", Wiley, 2002, 230 pages, Doc 0548 (A-C).

Tinella—"A 0.7DB Insertion Loss CMOS-SOI Antenna Switch with More than 50dB Isolation Over the 2.5 to 5GHz Band", Proceeding of the 28th European Solid-State Circuits Conference, 2002, pp. 483-486, 4 pages, Doc 0549.

Van Der Puije—"Telecommunication Circuit Design", Wiley 2002, 225 pages, Doc 0550 (A-C).

Hameau—"Radio-Frequency Circuits in Integration Using CMOS SOI 0.25 μ m Technology", 2002 RF IC Design Workshop Europe, Mar. 2002, Grenoble, France, 6 pages, Doc 0551.

Harneau—"Radio-Frequency Circuit Integration Using CMOS SOI 0.25 μ m Technology", 2002 RF IC Design Workshop Europe, Mar. 19-22, 2002, Grenoble, France, 6 pages, Doc 0552.

Raab—"Power Amplifiers and Transmitters for RF and Microwave", IEEE Transactions and Microwave Theory and Techniques, vol. 50, No. 3, pp. 814-826, Mar. 2002, 13 pages, Doc 0553.

Sivaram—"Silicon Film Thickness Considerations in SOI-DTMOs", IEEE Device Letters, vol. 23, No. 5, May 2002, pp. 276-278, 3 pages, Doc 0556.

Han—"A Simple and Accurate Method for Extracting Substrate Resistance of RF MOSFETs", IEEE Electron Device Letters, vol. 23, No. 7, Jul. 2002, pp. 434-436, 3 pages, Doc 0557.

Das—"A Novel Sub-1 V High Speed Circuit Design Technique in Partially Depleted SOI-CMOS Technology with Ultra Low Leakage Power", Proceedings of the 28th European Solid-State Circuits Conference, Sep. 2002, pp. 24-26, 22 pages, Doc 0559.

Das—"A Novel Sub-1 V High Speed Circuit Design Technique in Partially Depleted SOI-CMOS Technology with Ultra Low Leakage Power", Proceedings of the 28th European Solid-State Circuits Conference, Sep. 2002, pp. 267-270, 4 pages, Doc 0560.

Bahl—"Lumped Elements for RF and Microwave Circuits", Artech House, 2003, pp. 353-394, 58 pages, Doc 0563.

Das—"Ultra-Low-Leakage Power Strategies for Sub-1 V VLSI: Novel Circuit Styles and Design Methodologies for Partially Depleted Silicon-on-Insulator (PD-SOI) CMOS Technology", Proceedings of the 16th Intl. Conference on VLSI Design, 2003, 6 pages, Doc 0564.

Ezzeddine—"The High Voltage/High Power FET (HiVP1)", 2003 IEEE Radio Frequency Integrated Circuits Symposium, 4 pages, Doc 0566.

Gu—"A 2.3V PHEMT Power SP3T Antenna Switch IC for GSM Handsets", IEEE GaAs Digest, 2003, pp. 48-51, 4 pages, Doc 0561.

Gu—"A High Power DPDT MMIC Switch for Broadband Wireless Applications", IEEE MTT-S Digest, 2003, pp. 173-176, 4 pages, Doc 0568.

Hirano—"Impact of Actively Body Bias Controlled (ABC) SOI SRAM by Using Direct Body Contact Technology for Low Voltage Application," IEEE, 2003, p. 2.4.1-2.4.4, 4 pages, Doc 0569.

Huang—"Hot Carrier Degradation Behavior in SOI Dynamic-Threshold-Voltage nMOSFETs (n-DTMOs) Measured by Gated-Diode Configuration", Microelectronics Reliability 43 (2003) pp. 707-711, 5 pages, Doc 0572.

Lederer—"Frequency Degradation of SOI MOS Device Output Conductance", Microwave Laboratory of Universite Catholique de Louvain, Belgium, IEEE 2003, pp. 76-77, 2 pages, Doc 0573.

Minoli—"Telecommunications Technology Handbook", Artech House 2003, 408 pages, Doc 0576 (A-F).

NEC—"RF & Microwave Device Overview 2003—Silicon and GaAs Semiconductors", NEC 2003, 73 pages, Doc 0577.

(56)

References Cited

OTHER PUBLICATIONS

- Numata—"A High Power Handling GSM Switch IC with New Adaptive Control Voltage Generator Circuit Scheme", IEEE Radio Frequency Integrated Circuits Symposium, 2003, pp. 233-236, 4 pages, Doc 0578.
- Pylarinos—"Charge Pumps: An Overview", Proceedings of the IEEE International Symposium on Circuits and Systems, 2003, pp. 1-7, 7 pages, Doc 0579.
- Ueda—"A 5GHz-Band On-Chip Matching CMOS MMIC, Front-End", 11th GAAS Symposium—Munich 2003, pp. 101-104, 4 pages, Doc 0580.
- Ytterdal—"MOSFET Device Physics and Operation", Device Modeling for Analog and RF CMOS Circuit Design, 2003, John Wiley & Sons, Ltd., 46 pages, Doc 0581.
- Su—"On the Body-Source Built-In Potential Lowering of SOI MOSFETs", IEEE Electron Device Letters, vol. 24, No. 2, Feb. 2003, pp. 90-92, 3 pages, Doc 0582.
- Cho—"Comparative Assessment of Adaptive Body-Bias SOI Pass-Transistor Logic", Fourth Intl Symposium on Quality Electronic Design, Mar. 2003, pp. 55-60, 6 pages, Doc 0583.
- Kim—"High-Performance V-Band Cascode HEMT Mixer and Downconverter Module", IEEE Transactions on Microwave Theory and Techniques, vol. 51, No. 3, p. 805-810, Mar. 2003, 6 pages, Doc 0584.
- Terauchi—"A Self-Body-Bias" SOI MOSFET: A Novel Body-Voltage-Controlled SOI MOSFET for Low Voltage Applications, The Japan Society of Applied Physics, vol. 42 (2003), pp. 2014-2019, Part 1, No. 4B, Apr. 2003, 6 pages, Doc 0587.
- Dehan—"Partially Depleted SOI Dynamic Threshold MOSFET for Low-Voltage and Microwave Applications" 203rd Meeting of the Electrochemical Society—11th Int. Symp. on SOI technology and devices, Paris, France, 2003 1 page, Doc 1080.
- Tinella—"A High Performance CMOS-SOI Antenna Switch for the 2.5-5-GHz Band", IEEE Journal of Solid-State Circuits, vol. 38, No. 7, Jul. 2003, pp. 1270-1283, 5 pages, Doc 0588.
- Drake—"Analysis of the Impact of Gate-Body Signal Phase on DTMOS Inverters in 0.13 μm PD-SOI", Department of EECS, University of Michigan, Ann Arbor, MI, Sep./Oct. 2003, 16 pages, Doc 0591.
- Drake—"Analysis of the Impact of Gate-Body Signal Phase on DTMOS Inverters in 0.13 μm PD-SOI", Department of EECS, University of Michigan, Ann Arbor, MI, Sep./Oct. 2003, 4 pages, Doc 0592.
- Lederer—"Frequency Degradation of SOI MOS Device Output Conductance", Microwave Laboratory of Universite Catholique de Louvain, Belgium, Sep./Oct. 2003, 1 page, Doc 0593.
- Bernstein—"Design and CAD Challenges in sub-90nm CMOS Technologies", IBL Thomas J. Watson Research Center, NY, Nov. 11-13, 2003, pp. 129-136, 8 pages, Doc 0595.
- Drake—"Evaluation of Dynamic-Threshold Logic for Low-Power VLSI Design in 0.13 μm PD-SOI", University of Michigan, Ann Arbor, MI, Dec. 2003, 29 pages, Doc 0596.
- Drake—"Evaluation of Dynamic-Threshold Logic for Low-Power VLSI Design in 0.13 μm PD-SOI", IFIP VLSI-SoC 2003, IFIP WG 10.5 International Conference on Very Large Scale Integration of System-on-Chip, Darmstadt, Germany, Dec. 1-3, 2003, 6 pages, Doc 0597.
- Bonkowski—"Integration of Triple Band GSM Antenna Switch Module Using SOI CMOS", IEEE Radio Frequency Integrated Circuits Symposium, 2004, pp. 511-514, 4 pages, Doc 0598.
- Gu—"Low Insertion Loss and High Linearity PHEMT SPDT and SP3T Switch Ics for WLAN 802.11a/b/g Application", 2004 IEEE Radio Frequency Integrated Circuits Symposium, 2004, pp. 505-508, 4 pages, Doc 0600.
- Kelly—"Integrated Ultra CMIS Designs in GSM Front End", Wireless Design Magazine, 2004, pp. 18-22, 4 pages, Doc 0601.
- Wang—"A Robust Large Signal Non-Quasi-Static MOSFET Model for Circuit Simulation", IEEE 2004 Custom Integrated Circuits Conference, pp. 2-1-1-2-1-4, 4 pages, Doc 0603.
- Chao—"High-Voltage and High-Temperature Applications of DTMOS with Reverse Schottky Barrier on Substrate Contacts", vol. 25, No. 2, Feb. 2004, pp. 86-88, 3 pages, Doc 0605.
- Bawedin—"Unusual Floating Body Effect in Fully Depleted MOSFETs", IMEP, Enserg, France and Microelectronics Laboratory, Universite Catholique de Louvain, Belgium, Oct. 2004, 22 pages, Doc 0614.
- Damiano—"Integrated Dynamic Body Contact for H Gate PD SOI MOSFETs for High Performance/Low Power", IEEE SOI Conference, Oct. 2004, pp. 115-116, 2 pages, Doc 0615.
- Goo—"History-Effect-Conscious Spice Model Extraction for PD-SOI Technology", 2004 IEEE International SOI Conference, Oct. 2004, pp. 156-158, 3 pages, Doc 0616.
- Kuang—"A Floating-Body Charge Monitoring Technique for Partially Depleted SOI Technology", International Journal of Electronics, vol. 91, No. 11, 2004, pp. 625-637, 13 pages, Doc 0618.
- Wiatr—"Impact of Floating Silicon Film on Small-Signal Parameters of Fully Depleted SOI-MOSFETs Biased into Accumulation", Solid-State Electronics 49 (2005), revised Nov. 9, 2004, pp. 779-789, 11 pages, Doc 0619.
- Perraud—"A Direct-Conversion CMOS Transceiver for the 802.11a/b/g WLAN Standard Utilizing a Vartesian Feedback Transmitter", IEEE Journal of Solid-State Circuits, vol. 39, No. 12, Dec. 2004, pp. 2226-2238, 13 pages, Doc 0621.
- Dehan—"Dynamic Threshold Voltage MOS in Partially Depleted SOI Technology: A Wide Frequency Band Analysis", Solid-State Electronics 49 (2005), pp. 67-72, 6 pages, Doc 0622.
- Darabi—"A Dual-Mode 802.11b/Bluetooth Radio in 0.35- μm CMOS", IEEE Journal of Solid-State Circuits, vol. 40, No. 3, Mar. 2005, pp. 698-706, 10 pages, Doc 0624.
- Lee—"Effects of Gate Structures on the RF Performance in PD SOI MESFETs", IEEE Microwave and Wireless Components Letters, vol. 15, No. 4, Apr. 2005, pp. 223-225, 3 pages, Doc 0625.
- Sjoblom—"An Adaptive Impedance Tuning CMOS Circuit for ISM 2.4-GHz Band", IEEE Transactions on Circuits and Systems—I: Regular Papers, vol. 52, No. 6, Jun. 2005, pp. 1115-1124, 10 pages, Doc 0627.
- Su—"On the Prediction of Geometry-Dependent Floating-Body Effect in SOI MOSFETs", IEEE Transactions on Electron Devices, vol. 52, No. 7, Jul. 2005, pp. 1662-1664, 3 pages, Doc 0630.
- Defree—"Peregrine Trumpets HaRP", <https://www.edn.com/electronics-news/4325802/Peregrine-Trumpets-HaRP>, Oct. 7, 2005, 2 pages, Doc 7000.
- Bernstein—"SOI Circuit Design Concepts", IBM Microelectronics 2007, 239 pages, Doc 0654.
- Iijima—"Boosted Voltage Scheme with Active Body-Biasing Control on PD-SOI for Ultra Low Voltage Operation", IEICE Transactions on Electronics, Institute of Electronics, Tokyo, JP, vol. E90C, No. 4, Apr. 1, 2007, pp. 666-674, 9 pages, Doc 0655.
- Willert-Porada—"Advances in Microwave and Radio Frequency Processing", 8th International Conference on Microwave and High-Frequency Heating, Oct. 2009, 408 pages, Doc 0714 (A-F).
- RFMD's Petition for Inter Partes Review of U.S. Pat. No. 8,405,147 Under 35 U.S.C. 311 filed Mar. 27, 2014 in IPR2014-00546, 7810 pages, Doc 8086A-8086U.
- RFMD's Corrected Petition for Inter Partes Review of U.S. Pat. No. 8,405,147 under 35 U.S.C. 311 filed Apr. 14, 2014 in IPR2014-00546, 64 pages, Doc 8087.
- RFMD's Corrected Petition for Inter Partes Review of U.S. Pat. No. 8,405,147 under 35 U.S.C. 311 filed Apr. 14, 2014 in IPR2014-00546, 68 pages, Doc 8088.
- Peregrine's Patent Owner Preliminary Response Pursuant to 37 C.F.R. 42.107 filed Jul. 10, 2014 in IPR2014-00546, 101 pages, Doc 8089.
- Voldman—"Dynamic Threshold Body- and Gate-coupled SOI ESD Protection Networks", Journal of Electrostatics 44, Mar. 20, 1998, pp. 239-255, Doc 8015.
- Matloubian—"Smart Body Contact for SOI MOSFETs" 1989 IEEE SOS/SOI Technology Conference pp. 128-129, Oct. 3-5, 1989, 2 pages, Doc 0425.
- Hieda—"Floating-Body Effect Free Concave SOI-MOSFETs (COS-MOS)", ULSI Research Center, Toshiba Corporation, IEEE 1991, p. 26.2.1-26.2.4, Dec. 8-11, 1991, 4 pages, Doc 0187.

(56)

References Cited

OTHER PUBLICATIONS

- Patel—"A Novel Body Contact for SIMOX Based SOI MOSFETs", *Solid-State Electronics* vol. 34, No. 10, pp. 1071-1075, Apr. 22, 1991, 6 pages, Doc 3000.
- Katzin—"High Speed 100+ W RF Switched Using GaAs MMICs", *IEEE Transactions on Microwave Theory and Techniques*, Nov. 1992, pp. 1989-1996, 8 pages, Doc 0194.
- Armijos—"High Speed DMOS FET Analog Switches and Switch Arrays", *Temic Semiconductors* Jun. 22, 1994, pp. 1-10, 10 pages, Doc 0202.
- Li—"Suppression of Geometric Component of Charge Pumping Current SOI/MOSFETs", *Proc. Int. Symp. VLSI Technology, Systems & Applications (IEEE May 31-Jun. 2, 1995)*, pp. 144-148, 5 pages, Doc 8016.
- Chan—"A Novel SOI CBiCMOS Compatible Device Structure for Analog and Mixed-Mode Circuits", Dept. of EECS, University of California at Berkeley, *IEEE* Nov. 1995, pp. 40-43, 4 pages, Doc 1078.
- Kohama—"High Power DPDT Antenna Switch MMIC for Digital Cellular Services", *IEEE Journal of Solid-State Circuits*, Oct. 1996, pp. 1406-1411, 6 pages, Doc 0244.
- Tenbroek—"Electrical Measure of Silicon Film and Oxide Thickness in Partially Depleted SOI Technologies", *Solid-State Electronics*, vol. 39, No. 7, pp. 1011-1014, Nov. 14, 1995, 4 pages, Doc 8019.
- NEC Corporation—"uPG13xG Series L-Band SPDT Switch GaAs MMIC", Document No. P1096EJIVOANDO (1st Edition), Feb. 1996, 30 pages, Doc 0248.
- Kuge—"SOI-DRAM Circuit Technologies for Low Power High Speed Multigiga Scale Memories", Jun. 8-10, 1995, *IEEE Journal of Solid-State Circuits*, vol. 31, No. 4, Apr. 1996, pp. 586-591, 6 pages, Doc 0259.
- Fung—"Frequency Dispersion in Partially Depleted SOI MOSFET Output Resistance", *Proceedings 1996 IEEE International SOI Conference*, Oct. 1996, pp. 146-147, 2 pages, Doc 0268.
- Yamamoto—"A Single-Chip GaAs RF Transceiver for 1.9GHz Digital Mobile Communication Systems", *IEEE* Dec. 1996, pp. 1964-1973, 10 pages, Doc 0255.
- Johnson—"Silicon-On-Sapphire Technology for Microwave Circuit Applications", Dissertation UCSD Jan. 1997, *IEEE* May 1998, pp. 1-184, 214 pages, Doc 0288.
- Koh—"1Giga Bit SOI DRAM with Fully Bulk Compatible Process and Body-Contacted SOI MOSFET Structure", *IEEE* Dec. 10, 1997, pp. 8021.
- Maeda—"A Highly Reliable .35 μm Field Body-Tied SOI Gate Array for Substrate-Bias-Effect Free Operation", *1997 Symposium on VLSI Technology Digest of Technical Papers*, Jun. 10-12, 1997, 2 pages, Doc 8020.
- Koh—"Body-Contacted SOI MOSFET Structure with Fully Bulk CMOS Compatible Layout and Process", *IEEE Electron Device Letters*, vol. 18, No. 3, Mar. 1997, pp. 102-104, 3 pages, Doc 0305.
- Huang—"Device Physics, Performance Simulations and Measured Results of SOI MOS and DTMOS Transistors and Integrated Circuits", Beijing Microelectronics Technology Institute, Oct. 23, 1998 *IEEE*, pp. 712-715, 4 pages, Doc 0333.
- Hirota—"0.5V 320MHz 8b Multiplexer/Demultiplier Chips Based on a Gate Array with Regular-Structured DRAMOS/SOI", Feb. 5-7, 1998, *1998 IEEE International Solid-State Circuits Conference. Digest of Technical Papers, ISSCC. First Edition*, p. 12.2-1-12.2-11, 11 pages, Doc 0351.
- Chuang—"SOI for Digital CMOS VLSI Design: Design Considerations and Advances", *Proceedings of the IEEE* vol. 86, No. 4, April 1, 1998 pp. 689-720, 32 pages, Doc 1079.
- Duyet—"Suppression of Geometric Component of Charge Pumping Current in Thin Film Silicon on insulator Metal-Oxide-Semiconductor Field-Effect Transistors", *Japanese Journal of Applied Physics*, Jul. 15, 1998, vol. 37, pp. L855-858, 4 pages, Doc 0729.
- Gil—"A High Speed and Low Power SOI Inverter using Active Body-Bias", *Proceedings International Symposium on Low Power Electronics and Design*, Sep. 1998, pp. 59-63, 5 pages, Doc 0359.
- Tseng—"AC Floating-Body Effects an Submicron Fully Depleted (FD) SOI nMOSFETs and the Impact on Analog Applications", *IEEE Electron Devices*, vol. 19, No. 9, Sep. 1998, pp. 351-353, 3 pages, Doc 0362.
- Duyet—"Effects of Body Reverse Pulse Bias on Geometric Component of Charge Pumping Current in FD SOI MOSFETs", *Proceedings IEEE Intl SOI Conference*, Oct. 5-8, 1998, pp. 79-80, 2 pages, Doc 0364.
- Chung—"A New SOI MOSFET Structure with Junction Type Body Contact", *International Electron Device Meeting (IEDM) Technical Digest*, Dec. 5-8, 1999, pp. 59-62, 4 pages, Doc 0379.
- Devlin—"The Design of Integrated Switches and Phase Shifters", Nov. 24, 1999, 15 pages, Doc 0381.
- Lim—"Partial SOI LDMOSFETs for High-Side Switching", Dept. of Engineering, University of Cambridge, Oct. 5-9, 1999 *IEEE*, pp. 149-152, 4 pages, Doc 0393.
- Maeda—"Substrate Bias Effect and Source Drain Breakdown Characteristics in Body Tied Short Channel SOI MOSFETs", *IEEE Transactions on Electron Devices*, vol. 46, No. 1, Jan. 1999, pp. 151-158, 8 pages, Doc 0397.
- Rodgers—"Silicon UTSi CMOS RFIC for CDMA Wireless Communications System", *IEEE MTT-S Digest*, Jun. 14-15, 1999, pp. 485-488, 4 pages, Doc 0406.
- Yamamoto—"A 2.2-V Operation, 2.4-GHz Single-Chip GaAs MMIC Transceiver for Wireless Applications", *IEEE Journal of Solid-State Circuits*, vol. 34, No. 4, Apr. 1999, pp. 502-512, 11 pages, Doc 0417.
- Chen—"Low Power, Multi-Gigabit DRAM Cell Design Issues Using SOI Technologies", http://bwrc.eecs.berkeley.edu/people/grad_students/chenff/reports, May 14, 1999, 6 pages, Doc 0418.
- Allen—"Characterization and Modeling of Silicon-on-Insulator Field Effect Transistors", Department of Electrical Engineering and Computer Science, MIT May 20, 1999, 80 pages, Doc 0419.
- Tseng—"AC Floating-Body Effects and the Resultant Analog Circuit Issues in Submicron Floating Body and Body-Grounded SOI MOSFETs", *IEEE Transactions on Electron Devices*, vol. 46, No. 8, August 1999, 8 pages, Doc 0420.
- Fung—"Controlling Floating-Body Effects for 0.13 μm and .10 μm SOI CMOS", *IDEM 00-231-234*, Dec. 10-13, 2000, *IEEE*, 4 pages, Doc 8017.
- Imam—"A Simple Method to Determine the Floating-Body Voltage of SOI CMOS Devices", *IEEE Electron Device Letters*, vol. 21, No. 1, Jan. 2000, pp. 21-23, 3 pages, Doc 0441.
- Kanda—"A Si RF Switch MMIC for the Cellular Frequency Band Using SOI-CMOS Technology", *The Institute of Electronics, Information and Communication Engineers*, vol. 100, No. 152, Jun. 2000, pp. 79-83, 5 pages, Doc 0443.
- Shahidi—"Issues in SOI CMOS Technology and Design", *IEEE 2000 Custom Integrated Circuits Conference, Publication/Presentation dated May 21, 2000*, 78 pages, Doc 8014.
- Horiuchi—"A Dynamic-Threshold SOI Device with a J-FET Embedded Source Structure and a Merged Body-Bias-Control Transistor—Part II: Circuit Simulation", *IEEE Transactions on Electron Devices*, vol. 47, No. 8, Aug. 2000, pp. 1593-1598, 6 pages, Doc 0457.
- Horiuchi—"A Dynamic-Threshold SOI Device with a J-FET Embedded Source Structure and a Merged Body-Bias-Control Transistor—Part I: A J-Fet Embedded Source Structure Properties", *IEEE Transactions on Electron Devices*, vol. 47, No. 8, Aug. 2000, pp. 1587-1592, 6 pages, Doc 0456.
- Scheinberg—"A Computer Simulation Model for Simulating Distortion in FET Resistors", *IEEE Transactions on Computer-Aided Design of Integrated Circuits and Systems*, vol. 19, No. 9, Sep. 2000, pp. 981-989, 9 pages, Doc 0461.
- Cristoloveanu—"The Four-Gate Transistor", *Institute of Microelectronics, Electromagnetism and Photonics, ESSDERC* Sep. 24-26, 2002, pp. 323-326, 4 pages, Doc 0478.
- Reedy—"Utsi CMOS: A Complete RF SOI Solution", *Peregrine Semiconductor* Nov. 2000, pp. 1-6, 6 pages, Doc 0508.
- Yamamoto—"A 2.4GHz Band 1.8V Operation Single Chip Si-CMOS T/R MMIC Front End with a Low Insertion Loss Switch", *IEEE Journal of Solid-State Circuits*, vol. 36, No. 8, Aug. 2001, pp. 1186-1197, 12 pages, Doc 0527.
- Adan—"Off-State Leakage Current Mechanisms in BulkSi and SOI MOSFETs and Their Impact on CMOS ULSIs Standby Current",

(56)

References Cited

OTHER PUBLICATIONS

IEEE Transactions on Electron Devices, vol. 48, No. 9, Sep. 2001, pp. 2050-2057, 8 pages, Doc 0528.

Goldman—"0.15 μm SOI DRAM Technology Incorporating Sub-Volt Dynamic Threshold Devices for Embedded Mixed-Signal & RF Circuits", Oct. 1-4, 2001 IEEE SOI Conference, pp. 97-98, 2 pages, Doc 0531.

Fung—"Present Status and Future Direction of BSIM Soil Model for High-Performance/Low-Power/RF Application", IBM Microelectronics, Semiconductor Research and Development Center, Apr. 2002, 4 pages, Doc 0554.

Adan—"Linearity and Low-Noise Performance of SOI MOSFETs for RF Applications", IEEE Transactions on Electron Devices, May 2002 Vol. 49, No. 5, pp. 881-888, 8 pages, Doc 0555.

Akarvardar—"Multi-Bias Dependence of Threshold Voltage, Sub-threshold Swing, and Mobility in G4-FETs", Institute of Microelectronics, Electromagnetism, and Photonics, IEEE Oct. 2003, pp. 127-130, 4 pages, Doc 1075.

Dufrene—"The G4-FET: Low Voltage to High Voltage Operation and Performance", Dept. of Electrical and Computer Engineering, The University of Tennessee, IEEE Jan. 2003, pp. 55-56, 2 pages, Doc 0565.

Marks—"SOI for Frequency Synthesis in RF Integrated Circuits", Thesis submitted to North Carolina State University, May 2003, 155 pages, Doc 0574.

Zhu Ming—"A New Structure of Silicon-on-Insulator Metal-Oxide Semiconductor Field Effect Transistor to Suppress the Floating Body Effect", Nov. 4, 2002, Chin. Phys. Lett., vol. 20, No. 5 (2003) pp. 767-769, 3 pages, Doc 0575.

Fung—"On the Body-Source Built-In Potential Lowering of SOI MOSFETs", IEEE Electron Device Letters, vol. 24, No. 2, Feb. 2003, pages, Doc 8018.

Tinella—"Study of the Potential of CMOS-SOI Technologies Partially Abandoned for Radiofrequency Applications", Thesis for obtaining the standard of Doctor of INPG, National Polytechnic of Grenoble, Sep. 25, 2003, 187 pages, Doc 0594.

De Houck—"Design of EEPROM Memory Cells in Fully Depleted 'CMOS SOI Technology'", Universite Catholique de Louvain Faculty of Applied Science, Laboratory of Electronics and Microelectronics, Academic Year 2003-2004, Jan. 2003, 94 pages, Doc 0599.

Streetman—"Solid State Electronic Devices", Microelectronics Research Center, Dept. of Electrical and Computer Engineering, The University of Texas at Austin, Chapter 6, Jan. 2004 by Pearson Education Inc., 4 pages, Doc 0602.

Zhu—"Simulation of Suppression of Floating-Body Effect in Partially Depleted SOI MOSFET Using a Sil-xGex Dual Source Structure", Materials Science and Engineering B 114-115 Dec. 15, 2004, pp. 264-268, 5 pages, Doc 0604.

Chen—"G4-FET Based Voltage Reference", Masters Theses, University of Tennessee, Knoxville, Trace: Tennessee Research and Creative Exchange, May 2004, 57 pages, Doc 0607.

Ippoushi—"SOI Structure Avoids Increases in Chip Area and Parasitic Capacitance Enables Operational Control of Transistor Threshold Voltage", Renesas Edge, vol. 2004.5, Jul. 2004, p. 15, 1 page, Doc 0610.

Akarvardar—"Threshold Voltage Model of the SOI 4-Gate Transistor", 2004 IEEE International SOI Conference, October 4-7, 2004, pp. 89-90, 2 pages, Doc 0613.

Dufrene—"Investigation of the Four-Gate Action in G4-FETs", IEEE Transactions on Electron Devices, vol. 51, No. 11, Dec. 2004, pp. 1931-1935, 5 pages, Doc 0617.

Cathelin—"Antenna Switch Devices in RF Modules for Mobile Applications", ST Microelectronics, Front-End Technology Manufacturing, Crolles, France, Mar. 2005, 42 pages, Doc 0623.

Chow, Charles Chiang, Notice of Allowance received from the USPTO dated Aug. 16, 2011 for related U.S. Appl. No. 11/347,671, 12 pgs.

Shingleton, Michael B., Notice of Allowance received from the USPTO dated Oct. 12, 2011 for related U.S. Appl. No. 11/881,816, 5 pgs.

Hameau, et al., "Radio-Frequency Circuits Integration Using CMOS SOI 0.25 μm Technology", 2002 RF IC Design Workshop Europe, Mar. 19-22, 2002, Grenoble, France, 6 pgs.

Rozeau, et al., "SOI Technologies Overview for Low-Power Low-Voltage Radio-Frequency Applications," Analog Integrated Circuits and Signal Processing, 25, pp. 93-114, Boston, MA, Kluwer Academic Publishers, Nov. 2000.

Tinella, et al., "A High-Performance CMOS-SOI Antenna Switch for the 2.5-5-GHz Band," IEEE Journal of Solid State Circuits, vol. 38, No. 7, Jul. 2003, pp. 1270-1283.

Lee, et al., "Analysis of body bias effect with PD-SOI for analog and RF applications," Solid State Electronics, vol. 46, pp. 1169-1176, 2002, pp. 1169-1176.

Lee, et al., "Effect of Body Structure on Analog Performance of SOI NMOSFETs," Proceedings, 1998 IEEE International SOI Conference, Oct. 5-8, 1998, pp. 61-62.

Assaderaghi, et al., "A Dynamic Threshold-voltage MOSFET (DTMOS) for Ultra-low Voltage Operation" IEEE 1994, IEDM 94-809-812, 4 pgs.

Chao, et al., "High-voltage and High-temperature Applications of DTMOS with Reverse Schottky Barrier on Substrate Contacts", IEEE Electron Device Letters, vol. 25, No. 2, Feb. 2004, pp. 86-88.

Wei, et al., "Measurement of Transient Effects in SOI DRAM/SRAM Access Transistors", IEEE Electron Device Letters, vol. 17, No. 5, May 1996, pp. 193-195.

Kuang, et al., "SRAM Bitline Circuits on PD SOI: Advantages and Concerns", IEEE Journal of Solid-State Circuits, vol. 32, No. 6, Jun. 1997, pp. 837-844.

Sleight, et al., "Transient Measurements of SOI Body Contact Effectiveness", IEEE Electron Device Letters, vol. 19, No. 12, Dec. 1998, pp. 499-501.

Chung, et al., "SOI MOSFET Structure with a Junction-Type Body Contact for Suppression of Pass Gate Leakage", IEEE Transactions on Electron Devices, vol. 48, No. 7, Jul. 2001, pp. 1360-1365.

Lee, et al., "Effects of Gate Structures on the RF Performance in PD SOI MOSFETs", IEEE Microwave and Wireless Components Letters, vol. 15, No. 4, Apr. 2005, pp. 223-225.

Lee, et al., "Harmonic Distortion Due to Narrow Width Effects in Deep sub-micron SOI-CMOS Device for analog-RF applications", 2002 IEEE International SOI Conference, Oct. 2000, pp. 83-85.

Orndorff, et al., "CMOS/SOS/LSI Switching Regulator Control Device", ISSCC 78, Feb. 17, 1978, IEEE International Solid-State Circuits Conference, pp. 234-235 and 282.

Suehle, et al., "Low Electric Field Breakdown of Thin SiO₂ Films Under Static and Dynamic Stress", IEEE Transactions on Electron Devices, vol. 44, No. 5, May 1997, pp. 801-808.

Hu, et al. "A Unified Gate Oxide Reliability Model", IEEE 37th Annual International Reliability Physics Symposium, San Diego, CA 1999, pp. 47-51.

Kuo, et al., "Low-Voltage SOI CMOS VLSI Devices and Circuits", 2001, Wiley Interscience, New York, XP001090589, pp. 57-60 and 349-354.

Hoffman, Niels, International Search Report received from the EPO for related appln. No. PCT/US2006/026965 dated Nov. 7, 2006, 19 pages.

Tat, Binh C., International Search Report and Written Opinion received from the USRO dated Jul. 3, 2008 in related appln. No. PCT/US2006/036240, 10 pgs.

Nguyen, Tram Hoang, Office Action received from the USPTO dated Sep. 19, 2008 for related U.S. Appl. No. 11/484,370, 7 pgs.

Shingleton, Michael B., Office Action received from the USPTO dated Oct. 7, 2008 for related U.S. Appl. No. 11/881,816, 4 pgs.

Brindle, et al., Response filed in the USPTO dated Jan. 20, 2009 for related U.S. Appl. No. 11/484,370, 5 pgs.

Tat, Binh C., Office Action received from the USPTO dated Sep. 15, 2008 for related U.S. Appl. No. 11/520,912, 18 pgs.

Stuber, et al., Amendment filed in the USPTO dated Mar. 16, 2009 for related U.S. Appl. No. 11/520,912, 21 pgs.

Nguyen, Tram Hoang, Office Action received from the USPTO dated Apr. 23, 2009 for related U.S. Appl. No. 11/484,370, 11 pgs.

Shingleton, Michael B., Communication received from the USPTO dated Apr. 28, 2009 for related U.S. Appl. No. 11/881,816, 3 pgs.

(56)

References Cited

OTHER PUBLICATIONS

- Hoffmann, Neils, Communication from the EPO dated Feb. 4, 2009 for related appl. No. 06786943.8, 14 pgs.
- Dribinsky, et al., Response filed in the USPTO dated Aug. 28, 2009 for related U.S. Appl. No. 11/881,816, 5 pgs.
- Brindle, et al., Response filed in the USPTO dated Aug. 24, 2009 for related U.S. Appl. No. 11/484,370, 5 pgs.
- Photocopy of a translation of an Office Action dated Jul. 31, 2009 for related Chinese appln. No. 200680025128.7, dated Jul. 31, 2009, 3 pgs.
- Tat, Binh C., Office Action received from the USPTO for related U.S. Appl. No. 11/520,912, dated Jul. 8, 2009, 6 pgs.
- Stuber, et al., Response filed in the USPTO for related U.S. Appl. No. 11/520,912, dated Sep. 8, 2009, 3 pgs.
- Nguyen, Tram Hoang, Office Action received from the USPTO for related U.S. Appl. No. 11/484,370, dated Jan. 6, 2010, 46 pgs.
- Shingleton, Michael B., Office Action received from the USPTO for related U.S. Appl. No. 11/881,816, dated Jan. 19, 2010, 16 pgs.
- Brindle, Chris, et al., Translation of a Response filed in the Chinese Patent Office for related appln. No. 200680025128.7 dated Nov. 30, 2009, 3 pgs.
- Morena, Enrico, Supplementary European Search Report for related appln. No. 06814836.0, dated Feb. 17, 2010, 8 pgs.
- Kuang, J.B., et al., "A Floating-Body Charge Monitoring Technique for Partially Depleted SOI Technology", *Int. J. Electronics*, vol. 91, No. 11, Nov. 2004, pp. 625-637.
- Tat, Binh C., Office Action received from the USPTO for related U.S. Appl. No. 11/520,912, dated Dec. 10, 2009, 19 pgs.
- Stuber, et al., Amendment filed in the USPTO for related U.S. Appl. No. 11/520,912, dated Jun. 10, 2010, 25 pgs.
- Stuber, et al., Proposed Amended Claims for Examiner's Consideration filed in the USPTO for related U.S. Appl. No. 11/520,912, dated Aug. 27, 2010, 11 pgs.
- Tat, Binh C., Notice of Allowance received from the USPTO for related U.S. Appl. No. 11/520,912, dated Sep. 16, 2010, 13 pgs.
- Stuber, et al., Comments on Examiners Statement of Reasons for Allowance for related U.S. Appl. No. 11/520,912, dated Dec. 15, 2010, 6 pgs.
- Nguyen, Tram Hoang, Notice of Allowance received from the USPTO for related U.S. Appl. No. 11/484,370, dated Nov. 12, 2010, 21 pgs.
- Brindle, et al., Response filed in the EPO for related appl. No. 06814836.0 dated Oct. 12, 2010, 24 pgs.
- Brindle, et al., Amendment filed in the USPTO for related U.S. Appl. No. 11/484,370, dated Jul. 6, 2010, 23 pgs.
- Sedra, Adel A., et al., "Microelectronic Circuits", Fourth Edition, University of Toronto, Oxford University Press, 1982, 1987, 1991 and 1998, pp. 374-375.
- Nguyen, Tram, Examiner's Amendment received from the USPTO for related U.S. Appl. No. 11/484,370 dated Nov. 1, 2010, 7 pgs.
- Peregrine Semiconductor Corporation, Response filed in the EPO on Aug. 12, 2009 for related appln. No. 06786943.8, 31 pgs.
- Hoffmann, Niels, International Preliminary Report on Patentability received from the EPO dated Jun. 21, 2007 for related appln. No. PCT/US2006/026965, 12 pgs.
- Chow, Charles Chiang, Office Action received from USPTO dated Aug. 19, 2008 for related U.S. Appl. No. 11/347,671, 14 pgs.
- Kelly, Dylan, Amendment filed in the USPTO dated Dec. 19, 2008 for related U.S. Appl. No. 11/347,671, 12 pgs.
- Chow, Charles Chiang, Office Action received from USPTO dated Apr. 16, 2009 for related U.S. Appl. No. 11/347,671, 16 pgs.
- Kelly, Dylan, Response to Final Rejection filed in the USPTO dated Jun. 16, 2009 for related U.S. Appl. No. 11/347,671, 12 pgs.
- Chow, Charles Chiang, Office Action received from the USPTO dated Jul. 20, 2009 for related U.S. Appl. No. 11/347,671, 17 pgs.
- Kelly, Dylan, Amendment filed in the USPTO dated Jan. 20, 2010 for related U.S. Appl. No. 11/347,671, 15 pgs.
- Chow, Charles Chiang, Office Action received from the USPTO dated Apr. 28, 2010 for related U.S. Appl. No. 11/347,671, 20 pgs.
- Kelly, Dylan, Amendment filed in the USPTO dated Jul. 28, 2010 for related U.S. Appl. No. 11/347,671, 6 pgs.
- Chow, Charles Chiang, Office Action received from the USPTO dated Aug. 20, 2010 for related U.S. Appl. No. 11/347,671, 18 pgs.
- Kelly, Dylan, Amendment filed in the USPTO dated Dec. 20, 2010 for related U.S. Appl. No. 11/347,671, 7 pgs.
- Chow, Charles Chiang, Office Action received from the USPTO dated Mar. 2, 2011 for related U.S. Appl. No. 11/347,671, 15 pgs.
- Kelly, Dylan, Amendment filed in the USPTO dated May 2, 2011 for related U.S. Appl. No. 11/347,671, 6 pgs.
- Chow, Charles Chiang, Advisory Action received from the USPTO dated May 12, 2011 for related U.S. Appl. No. 11/347,671, 3 pgs.
- Kelly, Dylan, Notice of Appeal, Pre-Appeal Brief Request for Review and Argument Supporting Pre-Appeal Brief Request for Review filed in the USPTO dated Jun. 2, 2011 for related U.S. Appl. No. 11/347,671, 6 pgs.
- Chow, Charles Chiang, Notice of Panel Decision from Pre-Appeal Brief Review received from the USPTO dated Jul. 22, 2011 for related U.S. Appl. No. 11/347,671, 2 pgs.
- Huang, "A 0.5 μm CMOS T/R Switch for 900-MHz Wireless Applications"; *IEEE Journal of Solid-State Circuits*, vol. 36, No. 3, Mar. 2001, pp. 486-492.
- Lauterbach, et al. "Charge Sharing Concept and New Clocking Scheme for Power Efficiency and Electromagnetic Emission Improvement of Boosted Charge Pumps", *IEEE Journal of Solid-State Circuits*, vol. 35, No. 5, May 2000, pp. 719-723.
- Rodgers, et al., "Silicon UTSi COMS RFIC for CDMA Wireless Communications Systems", Peregrine Semiconductor Corporation, 1999 IEEE MTT-S Digest, p. 485-488.
- Megahed, et al., "Low Cost UTSI Technology for RF Wireless Applications", Peregrine Semiconductor Corporation, 1998 IEEE MTT-S Digest p. 981-984.
- Burgener, CMOS SOS Switched Offer Useful Features, High Integration, CMOS SOS Switches, *Microwaves & RF*, Aug. 2001, p. 107-118.
- Johnson, et al., "Advanced Thin-Film Silicon-on-Sapphire Technology: Microwave Circuit Applications", *IEEE Transactions on Electron Devices*, vol. 45, No. 5, May 1998, pp. 1047-1054.
- Dribinsky, et al., Response filed in the USPTO dated Jan. 7, 2009 for related U.S. Appl. No. 11/881,816, 5 pgs.
- Dribinsky, et al., Response filed in the USPTO dated Jul. 19, 2010 for related U.S. Appl. No. 11/881,816, 21 pgs.
- Shingleton, Michael B., Office Action received from the USPTO dated Oct. 14, 2010 for related U.S. Appl. No. 11/881,816, 15 pgs.
- Nguyen, Tram Hoang, Notice of Allowance received from the PTO dated Nov. 17, 2011 for related U.S. Appl. No. 13/053,211, 41 pgs.
- Chinese Patent Office, Translation of Office Action dated Nov. 2, 2011 for related appln. No. 200680025128.7, 12 pgs.
- Hoffmann, N., Summons to Attend Oral Proceedings pursuant to Rule 115(1) EPC received from the EPO dated Jul. 22, 2011 for related appln. No. 06786943.8, 8 pgs.
- Nishide, Ryuji, Translation of Japanese Office Action dated Jul. 17, 2012 for related appln. No. 2008-521544, 4 pgs.
- Peregrine Semiconductor Corporation, Demand filed in the European Patent Office filed Aug. 17, 2012 for related appln. No. PCT/US2011/056942, 41 pgs.
- Nguyen, Niki Joang, Office Action received from the USPTO dated Sep. 26, 2012 for related U.S. Appl. No. 13/277,108, 47 pgs.
- Hoffmann, Niels, Extended European Search Report received from the EPO dated May 4, 2012 for related appln. No. 11153227.1, 4 pgs.
- Hoffmann, Niels, Extended European Search Report received from the EPO dated May 7, 2012 for related appln. No. 11153241.2, 4 pgs.
- Hoffmann, Niels, Extended European Search Report received from the EPO dated May 7, 2012 for related appln. No. 11153247.9, 4 pgs.
- Hoffmann, Niels, Extended European Search Report received from the EPO dated May 8, 2012 for related appln. No. 11153313.9, 4 pgs.
- Hoffmann, Niels, Extended European Search Report received from the EPO dated May 8, 2012 for related appln. No. 11153281.8, 4 pgs.

(56)

References Cited

OTHER PUBLICATIONS

Shingleton, Michael B., Notice of Allowance received from the USPTO dated Jun. 14, 2012 for related U.S. Appl. No. 11/881,816, 13 pgs.

Peregrine Semiconductor Corporation, Response filed in the Chinese Patent Office dated Jun. 21, 2012 for related appln. No. 2006800251281, 12 pgs.

Hoffmann, Niels, International Search Report received from the EPO dated Feb. 27, 2012 for related appln. No. PCT/US2011/056942, 12 pgs.

Iijima, M., et al., "Boosted Voltage Scheme with Active Body-Biasing Control on PD-SOI for Ultra Low Voltage Operation", IEICE Transactions on Electronics, Institute of Electronics, Tokyo, JPO, vol. E90C, No. 4, Apr. 1, 2007, pp. 666-674.

Nguyen, Tram Hoang, Office Action received from the USPTO dated Apr. 11, 2012 for related U.S. Appl. No. 13/412,529, 6 pgs.

Hoffmann, Niels, Written Opinion of the International Preliminary Examining Authority dated Dec. 21, 2012 for related appln. No. PCT/US2011/056942, 7 pgs.

Peregrine Semiconductor Corporation, Technical Comments to Written Opinion of the EPEA dated Jan. 21, 2013 or related appln. No. PCT/US2011/056942, 27 pgs.

Nguyen, Niki Hoang, Office Action received from USPTO on Apr. 10, 2013 for related U.S. Appl. No. 13/277,108, 184 pgs.

Cornelio, Bernard, Notification of Transmittal of the International Preliminary Report on Patentability received from the EPO dated Feb. 16, 2013 for related appln. No. PCT/US20111056942, 27 pgs.

Brindle, et al., Amendment filed in USPTO dated Jul. 18, 2013 for related U.S. Appl. No. 13/227,108, 33 pgs.

Brindle, et al., Preliminary Amendment filed in USPTO dated Jul. 19, 2013 for related U.S. Appl. No. 13/850,251, 21 pgs.

Brindle, et al., Response filed in the USPTO dated Dec. 26, 2012 for related U.S. Appl. No. 13/277,108, 19 pgs.

Shingleton, Michael B., Office Action received from the USPTO dated Mar. 1, 2013 for related U.S. Appl. No. 11/881,816, 10 pgs.

Dribinsky, et al., Response filed in the USPTO dated Jan. 14, 2011 for related U.S. Appl. No. 11/881,816, 18 pgs.

Shingleton, Michael B., Advisory Action received from the USPTO dated Mar. 18, 2011 for related U.S. Appl. No. 11/881,816, 3 pgs.

Shingleton, Michael B., Interview Summary received from the USPTO dated Apr. 18, 2011 for related U.S. Appl. No. 11/881,816, 3 pgs.

Shifrin, Mitchell B., "Monolithic FET Structures for High-Power Control Component Applications", IEEE Transactions on Microwave Theory and Techniques, vol. 37, No. 12, Dec. 1989, pp. 2134-2141.

Wang, Chi-Chang, et al., "Efficiency Improvement in Charge Pump Circuits", IEEE Journal of Solid-State Circuits, vol. 32, No. 6, Jun. 1997, pp. 852-860.

Yamamoto, Kazuya, et al., "A 2.2-V Operation, 2.4-GHz Single-Chip GaAs MMIC Transceiver for Wireless Applications", IEEE Journal of Solid-State Circuits, vol. 34, No. 4, Apr. 1999, pp. 502-512.

Hiramoto, Toshiro, et al., "Low Power and Low Voltage MOSFETs with Variable Threshold Voltage Controlled by Back-Bias", IEICE Trans. Electron, vol. E83-C, No. 2, Feb. 2000, pp. 161-169.

Su, Pin, et al., "On the Body-Source Built-In Potential Lowering of SOI MOSFETs", IEEE Electron Device Letters, vol. 24, No. 2, Feb. 2003, pp. 90-92.

Yang, Min, "Sub-100nm Vertical MOSFET's with Si_{1-x-y}GexCy Source/Drains", a dissertation presented to the faculty of Princeton University, Jun. 2000, 272 pgs.

Ytterdal, T., et al., "MOSFET Device Physics and Operation", Device Modeling for Analog and RF CMOS Circuit Design, 2003 John Wiley & Sons, Ltd., 46 pgs.

Cherne, et al., U.S. Statutory Invention Registration No. H1435, published May 2, 1995

Fuse, et al., "A 0.5V 200MHz 1-Stage 32b ALU Using a Body Bias Controlled SOI Pass-Gate Logic", IEEE Int'l Solid-State Circuits Conference, Feb. 1997.

Douseki, et al., "A 0.5-V MTCMOS/SIMOX Logic Gate", IEEE Journal of Solid-State Circuits, vol. 32, No. 10, Oct. 1997.

Douseki, et al., "A 0.5v SIMOX-MTCMOS Circuit with 200ps Logic Gate", IEEE Int'l Solid-State Circuits Conference, 1996, pp. 84-85, 423.

Shimomura, et al., "A 1-V 46-ns 16-mb SOI-DRAM with Body Control Technique", IEEE Journal of Solid-State Circuits, vol. 32, No. 11, Nov. 1997, pp. 1712-1720.

Ueda, et al., "A CAD Compatible SOI/CMOS Gate Array Having Body Fixed Partially Depleted Transistors", IEEE Int'l Solid-State Circuits Conference, Feb. 8, 1997, pp. 288-289.

Kuang, et al., "A Dynamic Body Discharge Technique for SOI Circuit Applications", IEEE Int'l SOI Conference, Oct. 1999, pp. 77-78.

Assaderaghi, et al., "A Dynamic Threshold Voltage MOSFET (DTMOS) for Ultra-Low Voltage Operation", Int'l Electron Devices Meeting, Dec. 1994, pp. 809-812.

Kuang, et al., "A Floating-Body Charge Monitoring Technique for Partially Depleted SOI Technology", Int'l Journal of Electronics, vol. 91, No. 11, Nov. 2004, pp. 625-637.

Gil, et al., "A High Speed and Low Power SOI Inverter Using Active Body-Bias", Proceedings Int'l Symposium on Low Power Electronics and Design, Aug. 1998, pp. 59-63.

Gil, et al., "A High Speed and Low Power SOI Inverter Using Active Body-Bias", Solid-State Electronics, vol. 43, 1999, pp. 791-799.

Kuang, et al., "A High-Performance Body-Charge-Modulated SOI Sense Amplifier", IEEE Int'l SOI Conference, Oct. 2000, pp. 100-101.

Tinella, et al., "A High-Performance CMOS-SOI Antenna Switch for the 2.5 GHz Band", IEEE Journal of Solid-State Circuits, vol. 38, No. 7, Jul. 2003, All pgs.

Chung, et al., "A New SOI Inverter for Low Power Applications", IEEE SOI Conference, Oct. 1996, pp. 20-21.

Chung, et al., "A New SOI Inverter Using Dynamic Threshold for Low-Power Applications", IEEE Electron Device Letters, vol. 18, No. 6, Jun. 1997, pp. 248-250.

Chung, et al., "A New SOI MOSFET Structure with Junction Type Body Contact", Int'l Electron Device Meeting (IEDM) Technical Digest, 1999, pp. 59-62.

Terauchi, et al., "A Novel 4T SRAM Cell Using "Self-Body-Biased" SOI MOSFET Structure Operating at 0.5 Volt", IEEE Int'l SOI Conference, Oct. 2000, pp. 108-109.

Wang, et al., "A Novel Low-Voltage Silicon-On-Insulator (SOI) CMOS Complementary Pass-Transistor Logic (CPL) Circuit Using Asymmetrical Dynamic Threshold Pass-Transistor (ADTPT) Technique", Proceedings of the 43rd IEEE Midwest Symposium on Circuits and Systems, Aug. 2000, pp. 694-697.

Das, et al., "A Novel Sub-1 V High Speed Circuit Design Technique in Partially Depleted SOI-CMOS Technology with Ultra Low Leakage Power", Proceedings of the 28th European Solid-State Circuits Conference, Sep. 2002, pp. 24-26.

Das, et al., "A Novel Sub-1 V High Speed Circuit Design Technique in Partially Depleted SOI-CMOS Technology with Ultra Low Leakage Power", Proceedings of the 28th European Solid-State Circuits Conference, Sep. 2002, pp. 267-270.

Kanda, et al., "A Si RF Switch MMIC for the Cellular Frequency Band Using SOI-CMOS Technology", Institute of Electronics, Information and Communication Engineers Technical Report, vol. 100, No. 152, Jun. 2000, pp. 79-83.

Hu, et al., "A Unified Gate Oxide Reliability Model", IEEE 37th Annual Int'l Reliability Physics Symposium, 1999, pp. 47-51, San Diego, California.

Nakatani, "A Wide Dynamic Range Switched-LNA in SiGe BICMOS", IEEE Radio Frequency Integrated Circuits Symposium, 2001, pp. 223-226.

Tseng, et al., "AC Floating-Body Effects and the Resultant Analog Circuit Issues in Submicron Floating body and Body-Grounded SOI MOSFET's", IEEE Transactions on Electron Devices, vol. 46, No. 8, Aug. 1999, pgs. All.

(56)

References Cited

OTHER PUBLICATIONS

- Tseng, et al., "AC Floating-Body Effects in Submicron Fully Depleted (FD) SOI nMOSFET's and the Impact on Analog Applications", IEEE Electron Devices, vol. 19, No. 9, Sep. 1998, pp. 351-353.
- Wada, et al., "Active Body-Bias SOI-CMOS Driver Circuits", Symposium on VLSI Circuits Digest of Technical Papers, 1997, pp. 29-30.
- Stuber, et al., Amendment filed in the USPTO dated Jun. 10, 2010 for related U.S. Appl. No. 11/520,912, 28 pgs.
- Saccamango, et al., "An SOI Floating Body Charge Monitor Technique", IEEE Int'l SOI Conference, Oct. 2000, pp. 88-89.
- Lee, et al., "Analysis of Body Bias Effect with PD-SOI or Analog and RF Applications", Solid State Electron, vol. 46, 2002, pp. 1169-1176.
- Dunga, "Analysis of Floating Body Effects in Thin Film SOI MOSFET's Using the GIDL Current Technique", Proceedings of the 8th Int'l Symposium on Physical and Failure Analysis of Integrated Circuits, 2001, pp. 254-257.
- Gautier, et al., "Body Charge Related Transient Effects in Floating Body SOI NMOSFETs", IEDM Tech. Digest, 1995, pp. 623-626.
- Koh, et al., "Body-Contracted SOI MOSFET Structure and its Application to DRAM", IEEE Transactions on Electron Devices, vol. 45, No. 5, May 1998, pp. 1063-1070.
- Koh, et al., "Body-Contacted SOI MOSFET Structure with Fully Bulk CMOS Compatible Layout and Process", IEEE Electron Device Letters, vol. 18, No. 3, Mar. 1997, pp. 102-104.
- Tseng, et al., "Characterization of Floating Body and Body-Grounded Thin Film Silicon-on-Insulator MOSFETs for Analog Circuit Applications", Ph.D. Thesis, UCLA, 1999, pgs. All.
- Madihian, et al., "CMOS RF ICs for 900MHz-2.4GHz Band Wireless Communication Networks", IEEE Radio Frequency Integrated Circuits Symposium, 1999, pp. 13-16.
- Orndorff, et al., "CMOS/SOS/LSI Switching Regulator Control Device", IEEE Int'l Solid-State Circuits Conference, ISSCC 78, Feb. 1978, pp. 234-235, 282.
- Eschenbach, Communication from the EPO dated Feb. 4, 2009 for related appln. No. 06786943.8, 101 pgs.
- Shingleton, Communication from the USPTO dated Apr. 28, 2009 for related U.S. Appl. No. 11/881,816, 3 pgs.
- Sudhama, et al., "Compact Modeling and Circuit Impact of a Novel Frequency Dependence of Capacitance in RF MOSFETs", Nano Science and Technology Institute, Technical Proceedings of the 2001 Int'l Conference of Modeling and Simulation of Microsystems, 2001.
- Casu, et al., "Comparative Analysis of PD-SOI Active Body-Biasing Circuits", IEEE Int'l SOI Conference, Oct. 2000, pp. 94-95.
- Cho, et al., "Comparative Assessment of Adaptive Body-Bias SOI Pass-Transistor Logic", Fourth Int'l Symposium on Quality Electronic Design, Mar. 2003, pp. 55-60.
- Chan, et al., "Comparative Study of Fully Depleted and Body-Grounded Non Fully Depleted SOI MOSFET's for High Performance Analog and Mixed Signal Circuits", IEEE Transactions on Electron Devices, vol. 42, No. 11, Nov. 1995, pp. 1975-1981.
- Tseng, et al. "Comprehensive Study on AC Characteristics in SOI MOSFETs for Analog Applications", 1998 Symposium on VLSI Technology Digest of Technical Papers, Jun. 1998.
- Pelella, et al., "Control of Off-State Current in Scaled PD/SOI CMOS Digital Circuits", Proceedings IEEE Int'l SOI Conference, Oct. 1998, pp. 147-148.
- Assaderaghi, "DTMOS: Its Derivatives and Variations, and Their Potential Applications", The 12th Int'l Conference on Microelectronics, Nov. 2000, pp. 9-10.
- Lindert, et al. "Dynamic Threshold Pass-Transistor Logic for Improved Delay at Lower Power Supply Voltages", IEEE Journal of Solid-State Circuits, vol. 34, No. 1, Jan. 1999, pp. 85-89.
- Drake, et al., "Dynamic-Threshold Logic for Low Power VLSI Design", www.research.ibm.com/acas, 2001.
- Assaderaghi, et al., "Dynamic Threshold-Voltage MOSFET (DTMOS) for Ultra-Low Voltage VLSI", IEEE Transactions on Electron, vol. 44, No. 3, Mar. 1997, pp. 414-422.
- Wei, et al., "Effect of Floating-Body Charge on SOI MOSFET Design", IEEE Transaction on Electron Devices, vol. 45, No. 2, Feb. 1998.
- Duyet, et al., "Effects of Body Reverse Pulse Bias on Geometric Component of Charge Pumping Current in FD SOI MOSFETs", Proceedings IEEE Int'l SOI Conference, Oct. 1998, pp. 79-80.
- Lee, et al., "Effects of Gate Structure on the RF Performance in PD SOI MOSFETs", IEEE Microwave and Wireless Components Letters, vol. 15, No. 4, Apr. 2005.
- Krishnan, "Efficacy of Body Ties Under Dynamic Switching Conditions in Partially Depleted SOI CMOS Technology", Proceedings IEEE Int'l SOI Conference, Oct. 1997, pp. 140-141.
- Lu, et al., "Floating Body Effects in Partially Depleted SOI CMOS Circuits", ISPLED, Aug. 1996, pp. 1-6.
- Ueda, et al., "Floating Body Effects on Propagation Delay in SOI/CMOS LSIs", IEEE SOI Conference, Oct. 1996, pp. 142-143.
- Matsumoto, et al., "Fully Depleted 30-V-Class Thin Film SOI Power MOSFET", IEDM 95-979, 1995, pp. 38.6.1-38.6.4.
- Lee, et al., "Harmonic Distortion Due to Narrow Width Effects in Deep Submicron SOI-CMOS Device for Analog-RF Applications", IEEE Int'l SOI Conference, Oct. 2002, pp. 83-85.
- Assaderaghi, et al., "History Dependence of Non-Fully Depleted (NFD) Digital SOI Circuits", 1996 Symposium on VLSI Technology Digest of Technical Papers 13.1, 1996, pp. 122-123.
- Damiano, et al., "Integrated Dynamic Body Contact for H Gate PD SOI MOSFETs for High Performance/Low Power", IEEE SOI Conference, Oct. 2004, pp. 115-116.
- Tat, International Search Report and Written Opinion received from USRO dated Jul. 3, 2008 for related appln. No. PCT/US06/36240.
- Raully, et al., Investigation of Single and Double Gate SOI MOSFETs in Accumulation Mode for Enhanced Performances and Reduced Technological Drawbacks, Proceedings 30th European Solid-State Device Research Conference, Sep. 2000, pp. 540-543.
- Morishita, et al., "Leakage Mechanism Due to Floating Body and Countermeasure on Dynamic Retention Mode of SOI-DRAM", 1995 Symposium on VLSI Technology Digest of Technical Papers, Apr. 1995, pp. 141-142.
- Keys, "Low Distortion Mixers or RF Communications", Ph.D. Thesis, University of California-Berkeley, 1995.
- Suehle, et al., "Low Electric Field Breakdown of Thin SiO₂ Films Under Static and Dynamic Stress", IEEE Transactions on Electron Devices, vol. 44, No. 5, May 1997.
- Chen, et al., "Low Power, Multi-Gigabit DRAM Cell Design Issues Using SOI Technologies", http://bwrc.eecs.berkeley.edu/people/grad_students/chenff/reports, May 1999.
- Pelella, et al., "Low-Voltage Transient Bipolar Effect Induced by Dynamic Floating-Body Charging in Scaled PD/SOI MOSFET's", IEEE Electron Device Letters, vol. 17, No. 5, May 1996.
- Wei, "Measurement and Modeling of Transient Effects in Partially Depleted SOI MOSFETs", M.S. Thesis, MIT, Jul. 1996.
- Wei, et al., "Measurement of Transient Effects in SOI DRAM/SRAM Access Transistors", IEEE Electron Device Letters, vol. 17, No. 5, May 1996.
- Shoucair, "Modeling, Decoupling and Suppression of MOSFET Distortion Components", IEEE Proceeding Circuit Devices Systems, vol. 146, No. 1, Feb. 1999.
- Tat, Notice of Allowance received from USPTO dated Sep. 16, 2010 for related U.S. Appl. No. 11/520,912.
- Shingleton, Office Action received from USPTO dated Oct. 7, 2008 for related U.S. Appl. No. 11/881,816.
- Tat, Office Action received from USPTO dated Dec. 10, 2009 for related U.S. Appl. No. 11/520,912.
- Shingleton, Office Action received from USPTO dated Jan. 19, 2010 for related U.S. Appl. No. 11/881,816.
- Tat, Office Action received from USPTO dated Jul. 8, 2009 for related U.S. Appl. No. 11/520,912.
- Tat, Office Action received from USPTO dated Sep. 15, 2008 for related U.S. Appl. No. 11/520,912.

(56)

References Cited

OTHER PUBLICATIONS

- Shahidi, et al., "Partially Depleted SOI Technology for Digital Logic", IEEE Int'l Solid-State Circuits Conference, 1999, pp. 426-427.
- Stuber, et al., Photocopy of an amendment that was filed with the USPTO dated Mar. 16, 2009 for related U.S. Appl. No. 11/520,912.
- Stuber, et al., amendment that was filed with the USPTO dated Sep. 8, 2009 for related U.S. Appl. No. 11/520,912.
- Translation of an Office Action dated Jul. 31, 2009 for related Chinese appln. No. 200680025128.7.
- Hameau, et al., "Radio-Frequency Circuits in Integration Using CMOS SOI 0.25 μm Technology", 2002 RF IC Design Workshop Europe, Mar. 2002, Grenoble, France.
- Dribinsky, Response file in USPTO date Aug. 28, 2009 to related U.S. Appl. No. 11/881,816.
- Matloubian, "Smart Body Contact for SOI MOSFETs", 1989 IEEE SOS/SOI Technology Conference, Oct. 1999, pp. 128-129.
- Chuang, et al., "SOI for Digital CMOS VLSI Design: Design Consideration and Advances", Proceedings of the IEEE, vol. 86, No. 4, Apr. 1998, pp. 689-720.
- Chung, et al., "SOI MOSFET Structure with a Junction Type Body Contact for Suppression of Pass Gate Leakage", IEEE Transactions on Electron Devices, vol. 48, No. 7, Jul. 2001.
- Rozeau, et al., "SOI Technologies Overview for Low-Power Low-Voltage Radio-Frequency Applications", Analog Integrated Circuits and Signal Processing, 25, Kluwer Academic Publishers, Nov. 2000, pp. 93-114.
- Kuge, et al., "SOI-DRAM Circuit Technologies for Low Power High Speed Multigiga Scale Memories", IEEE Journal of Solid-State Circuits, vol. 31, No. 4, Apr. 1996, pp. 586-591.
- Kuang, et al., "SRAM Bitline Circuits on PD SOI: Advantages and Concerns", IEEE Journal of Solid-State Circuits, vol. 32, No. 6, Jul. 1997.
- Maeda, et al., "Substrate-Bias Effect and Source-Drain Breakdown Characteristics in Body-Tied Short-Channel SOI MOSFETs", IEEE Transactions on Electron Devices, vol. 46, No. 1, Jan. 1999, pp. 151-158.
- Morena, Supplementary European Search Report dated Feb. 17, 2010 relating to appln. No. 06814836.0.
- Duyet, et al., "Suppression of Geometric Component of Charge Pumping Current in Thin Film Silicon on Insulator Metal-Oxide-Semiconductor Field-Effect Transistors", Japanese Journal of Applied Physics, vol. 37, Jul. 1998, pp. L855-L858.
- Casu, et al., "Synthesis of Low-Leakage PD-SOI Circuits with Body Biasing", Int'l Symposium on Low Power Electronics and Design, Aug. 2001, pp. 287-290.
- Wang, et al., "Threshold Voltage Instability at Low Temperatures in Partially Depleted Thin Film SOI MOSFET's", 1990 IEEE SOS/SOI Technology Conference, Oct. 1990, pp. 91-92.
- Shimomura, et al., "TP 4.3: A 1V 46ns 16Mb SOI-DRAM with Body Control Technique", 1997 IEEE Int'l Solid-State Circuits Conference, Feb. 1997.
- Sleight, et al., "Transient Measurements of SOI Body Contact Effectiveness", IEEE Electron Device Letters, vol. 19, No. 12, Dec. 1998.
- Assaderaghi, et al., "Transient Pass-Transistor Leakage Current in SOI MOSFET's", IEEE Electron Device Letters, vol. 18, No. 6, Jun. 1997, pp. 241-243.
- Brindle, et al., Translation of a response filed with the Chinese Patent Office dated Nov. 30, 2009 relating to appln. No. 200680025128.7.
- Mashiko, et al., "Ultra-Low Power Operation of Partially-Depleted SOI/CMOS Integrated Circuits", IEICE Transactions on Electronic Voltage, No. 11, Nov. 2000, pp. 1697-1704.
- Das, et al., "Ultra-Low-Leakage Power Strategies for Sub-1 V VLSI: Novel Circuit Styles and Design Methodologies for Partially Depleted Silicon-on-Insulator (PD-SOI) CMOS Technology", Proceedings of the 16th Int'l Conference on VLSI Design, 2003.
- Pelloie, et al., "WP 25.2: SOI Technology Performance and Modeling", 1999 IEEE Int'l Solid-State Circuits Conference, Feb. 1999.
- Goldman, et al., "0.15 μm SOI DRAM Technology Incorporating Sub-Volt Dynamic Threshold Devices for Embedded Mixed-Signal & RF Circuits", 2001 IEEE SOI Conference, Oct. 2001, pp. 97-98.
- Hirota, et al., "0.5V 320MHz 8b Multiplexer/Demultiplexer Chips Based on a Gate Array with Regular-Structured DTMOS/SOI", ISSCC, Feb. 1998, pp. 12.2-1-12.2-11.
- Fuse, et al., "0.5V SOI CMOS Pass-Gate Logic", 1996 IEEE Int'l Solid-State Circuits Conference, Feb. 1996, pp. 88-89,424.
- Brindle, et al., Response filed in the EPO for related appln. No. 06814836.0-1235 dated Oct. 12, 2010.
- Numata, et al., "A +2.4/0 V Controlled High Power GaAs SPDT Antenna Switch IC for GSM Application", IEEE Radio Frequency Integrated Circuits Symposium, 2002, pp. 141-144.
- Huang, et al., "A 0.5- μm CMOS T/R Switch for 900-MHz Wireless Applications", IEEE Journal of Solid-State Circuits, 2001, pp. 486-492.
- Tinella, et al., "A 0.7dB Insertion Loss CMOS—SOI Antenna Switch with More than 50dB Isolation over the 2.5 to 5GHz Band", Proceeding of the 28th European Solid-State Circuits Conference, 2002, pp. 483-486.
- Ohnakado, et al., "A 1.4dB Insertion Loss, 5GHz Transmit/Receive Switch Utilizing Novel Depletion-Layer Extended Transistors (DETs) in 0.18 μm CMOS Process", Symposium on VLSI Circuits Digest of Technical Papers, 2002, pp. 162-163.
- Nakayama, et al., "A 1.9 GHz Single-Chip RF Front-End GaAs MMIC with Low-Distortion Cascade FET Mixer for Personal Handy-Phone System Terminals", IEEE, 1998, pp. 101-104.
- McGrath, et al., "A 1.9-GHz GaAs Chip Set for the Personal Handyphone System", IEEE Transaction on Microwave Theory and Techniques, 1995, pp. 1733-1744.
- Nakayama, et al., "A 1.9GHz Single-Chip RF Front End GaAs MMIC for Personal Communications", Microwave and Millimeter-Wave Monolithic Circuits Symposium, 1996, pp. 69-72.
- Nakayama, et al., "A 1.9GHz Single-Chip RF Front End GaAs MMIC with Low-Distortion Cascade FET Mixer for Personal Handy-Phone System Terminals", Radio Frequency Integrated Circuits Symposium, 1998, pp. 205-208.
- Gu, et al., "A 2.3V PHEMT Power SP3T Antenna Switch IC for GSM Handsets", IEEE GaAs Digest, 2003, pp. 48-51.
- Darabi, et al., "A 2.4GHz CMOS Transceiver for Bluetooth", IEEE, 2001, pp. 89-92.
- Huang, et al., "A 2.4-GHz Single-Pole Double Throw T/R Switch with 0.8-dB Insertion Loss Implemented in a CMOS Process", Silicon Microwave Integrated Circuits and Systems Research, 2001, pp. 1-4.
- Huang, et al., "A 2.4-GHz Single-Pole Double Throw T/R Switch with 0.8-dB Insertion Loss Implemented in a CMOS Process (slides)", Silicon Microwave Integrated Circuits and Systems Research, 2001, pp. 1-16.
- Yamamoto, et al., "A 2.4GHz Band 1.8V Operation Single Chip SI-CMOS T/R MMIC Front End with a Low Insertion Loss Switch", IEEE Journal of Solid-State Circuits, vol. 36, No. 8, Aug. 2001, pp. 1186-1197.
- Kawakyu, et al., "A 2-V Operation Resonant Type T/R Switch with Low Distortion Characteristics for 1.9GHz PHS", IEICE Trans Electron, vol. E81-C, No. 6, Jun. 1998, pp. 862-867.
- Huang, et al., "A 900-MHz T/R Switch with a 0.8-dB Insertion Loss Implemented in a 0.5- μm CMOS Process", IEEE Custom Integrated Circuits Conference, 2000, pp. 341-344.
- Workman, et al., "A Comparative Analysis of the Dynamic Behavior of BTG/SOI MOSFET's and Circuits with Distributed Body Resistance", IEEE Transactions and Electron Devices, vol. 45, No. 10, Oct. 1998, pp. 2138-2145.
- Valeri, et al., "A Composite High Voltage Device Using Low Voltage SOI MOSFET's", IEEE, 1990, pp. 169-170.
- Miyatsuji, et al., "A GaAs High Power RF Single Pole Double Throw Switch IC for Digital Mobile Communication System", IEEE International Solid-State Circuits Conference, 1994, pp. 34-35.
- Miyatsuji, et al., "A GaAs High Power RF Single Pole Dual Throw Switch IC for Digital Mobile Communication System", IEEE Journal of Solid-State Circuits, 1995, pp. 979-983.
- Puechberty, et al., "A GaAs Power Chip Set for 3V Cellular Communications", 1994.

(56)

References Cited

OTHER PUBLICATIONS

- Yamamoto, et al., "A GaAs RF Transceiver IC for 1.9GHz Digital Mobile Communication Systems", ISSCC96, 1996, pp. 340-341, 469.
- Choumei, et al., "A High Efficiency, 2V Single Supply Voltage Operation RF Front End MMIC for 1.9GHz Personal Handy Phone Systems", IEEE, 1998, pp. 73-76.
- Schindler, et al., "A High Power 2-18 GHz T/R Switch", IEEE Microwave and Millimeter-Wave Monolithic Circuits Symposium, 1990, pp. 119-122.
- Gu, et al., "A High Power DPDT MMIC Switch for Broadband Wireless Applications", IEEE MTT-S Digest, 2003, pp. 173-176.
- Tinella, et al., "A High Performance CMOS-SOI Antenna Switch for the 2.5-5-GHz Band", IEEE Journal of Solid-State Circuits, 2003, pp. 1279-1283.
- Gu, et al., "A High Performance GaAs SP3T Switch for Digital Cellular Systems", IEEE MTT-S Digest, 2001, pp. 241-244.
- Numata, et al., "A High Power Handling GSM Switch IC with New Adaptive Control Voltage Generator Circuit Scheme", IEEE Radio Frequency Integrated Circuits Symposium, 2003, pp. 233-236.
- Madihian, et al., "A High Speed Resonance Type FET Transceiver Switch for Millimeter Wave Band Wireless Networks", 26th EuMC, 1996, pp. 941-944.
- Tokumitsu, et al., "A Low Voltage High Power T/R Switch MMIC Using LC Resonators", IEEE Transactions on Microwave Theory and Techniques, 1995, pp. 997-1003.
- Colinge, et al., "A Low Voltage Low Power Microwave SOI Mosfet", IEEE International SOI Conference, 1996, pp. 128-129.
- Johnson, et al., "A Model for Leakage Control by MOS Transistor Stacking", ECE Technical Papers, 1997, pp. 1-28.
- Matsumoto, et al., "A Novel High Frequency Quasi-SOI Power MOSFET for Multi-Gigahertz Application", IEEE, 1998, pp. 945-948.
- Giugni, "A Novel Multi-Port Microwave/Millimeter-Wave Switching Circuit", Microwave Conference, 2000.
- Caverly, "A Project Oriented Undergraduate CMOS Analog Micro-electronic System Design Course", IEEE, 1997, pp. 87-88.
- Harjani, et al., "A Prototype Framework for Knowledge Based Analog Circuit Synthesis", IEEE Design Automation Conference, 1987, pp. 42-49.
- DeRossi, et al., "A Routing Switch Based on a Silicon-on-Insulator Mode Mixer", IEEE Photonics Technology Letters, 1999, pp. 194-196.
- Kanda, et al., "A Si RF Switch MMIC for the Cellular Frequency Band Using SOI-CMOS Technology", The Institute of Electronics, Information and Communication Engineers, 2000, pp. 79-83.
- Caverly, et al., "A Silicon CMOS Monolithic RF and Microwave Switching Element", 27th European Microwave Conference, 1997, pp. 1046-1051.
- Valeri, et al., "A Silicon-on-Insulator Circuit for High Temperature, High-Voltage Applications", IEEE, 1991, pp. 60-61.
- Yamamoto, et al., "A Single-Chip GaAs RF Transceiver for 1.9GHz Digital Mobile Communication Systems", IEEE Journal of Solid-State Circuits, 1996.
- Yamamoto, et al., "A Single-Chip GaAs RF Transceiver for 1.9GHz Digital Mobile Communication Systems", IEEE, 1996, pp. 1964-1973.
- Tsutsumi, et al., "A Single Chip PHS Front End MMIC with a True Single Voltage Supply", IEEE Radio Frequency Integrated Circuits Symposium, 1998, pp. 105-108.
- Wambacq, et al., "A Single Package Solution for Wireless Transceivers", IEEE, 1999, pp. 1-5.
- Eggert, et al., "A SOI-RF-CMOS Technology on High Resistivity SIMOX Substrates for Microwave Applications to 5 GHz", IEEE Transactions on Electron Devices, 1997, pp. 1981-1989.
- Hu, et al., "A Unified Gate Oxide Reliability Model", IEEE 37th Annual International Reliability Physics Symposium, 1999, pp. 47-51.
- Szedon, et al., "Advanced Silicon Technology for Microwave Circuits", Naval Research Laboratory, 1994, pp. 1-110.
- Johnson, et al., "Advanced Thin Film Silicon-on-Sapphire Technology: Microwave Circuit Applications", IEEE Transactions on Electron Devices, 1998, pp. 1047-1054.
- Burgener, et al., Amendment filed in the USPTO dated Dec. 2005 relating to U.S. Appl. No. 10/922,135.
- Burgener, et al., Amendment filed in the USPTO dated May 2008 relating to U.S. Appl. No. 11/582,206.
- Kai, An English translation of an Office Action received from the Japanese Patent Office dated Jul. 2010 relating to appln. No. 2007-518298.
- Burgener, et al., Amendment filed in the USPTO dated Apr. 2010 relating to U.S. Appl. No. 11/501,125.
- Heller, et al., "Cascode Voltage Switch Logic: A Different CMOS Logic Family", IEEE International Solid-State Circuits Conference, 1984, pp. 16-17.
- Pylarinos, "Charge Pumps: An Overview", Proceedings of the IEEE International Symposium on Circuits and Systems, 2003, pp. 1-7.
- Doyama, "Class E Power Amplifier for Wireless Transceivers", University of Toronto, 1999, pp. 1-9.
- "CMOS Analog Switches", Harris, 1999, pp. 1-9.
- "CMOS SOI RF Switch Family", Honeywell, 2002, pp. 1-4.
- "CMOS SOI Technology", Honeywell, 2001, pp. 1-7.
- Burgener, "CMOS SOS Switches Offer Useful Features, High Integration", Microwaves & RF, 2001, pp. 107-118.
- Analog Devices, "CMOS, Low Voltage RF/Video, SPST Switch", Analog Devices, inc., 1999, pp. 1-10.
- Eggert, et al., "CMOS/SIMOX-RF-Frontend for 1.7GHz", Solid State Circuits Conference, 1996.
- Orndorff, et al., CMOS/SOS/LSI Switching Regulator Control Device, IEEE International, vol. XXI, Feb. 1978, pp. 234-235.
- Burgener, et al., Comments on Examiners Statements of Reasons for Allowance filed in the USPTO dated Aug. 2004 relating to U.S. Appl. No. 10/267,531.
- Aquilani, Communication and supplementary European Search Report dated Nov. 2009 relating to appln. No. 05763216.
- Van Der Peet, Communications pursuant to Article 94(3) EPC received from the EPO dated Jun. 2008 relating to appln. No. 028000982.7-2220.
- Aquilani, Communications pursuant to Article 94(3) EPC received from the EPO dated Mar. 2010 relating to appln. No. 05763216.8.
- Weman, Communication under Rule 71(3) EPC and Annex Form 2004 received from the EPO dated Nov. 2009 relating to appln. No. 020800982.7.
- Van Der Peet, Communications pursuant to Article 94(3) EPC dated Aug. 2009 relating to appln. No. 02800982.7-2220.
- Yamamoto, et al., "Design and Experimental Results of a 2V-Operation Single-Chip GaAs T/R MMIC Front-End for 1.9GHz Personal Communications", IEEE, 1998, pp. 7-12.
- Savla, "Design and Simulation of a Low Power Bluetooth Transceiver", The University of Wisconsin, 2001, pp. 1-90.
- Henshaw, "Design of an RF Transceiver", IEEE Colloquium on Analog Signal Processing, 1998.
- Baker, et al., "Designing Nanosecond High Voltage Pulse Generators Using Power MOSFET's", Electronic Letters, 1994, pp. 1634-1635.
- Caverly, "Development of a CMOS Cell Library for RF Wireless and Telecommunications Applications", VLSI Symposium, 1998.
- Caverly, "Distortion Properties of Gallium Arsenide and Silicon RF and Microwave Switches", IEEE, 1997, pp. 153-156.
- Luu, Final Office Action received from the USPTO dated Apr. 2009 relating to U.S. Appl. No. 11/351,342.
- Colinge, "Fully Depleted SOI CMOS for Analog Applications", IEEE Transactions on Electron Devices, 1998, pp. 1010-1016.
- Flandre, et al. "Fully Depleted SOI CMOS Technology for Low Voltage Low Power Mixed Digital/Analog/Microwave Circuits", Analog Integrated Circuits and Signal Processing, 1999, pp. 213-228.
- Yamao, "GaAs Broadband Monolithic Switches", 1986, pp. 63-71.
- Gopinath, et al., "GaAs FET RF Switches", IEEE Transactions on Electron Devices, 1985, pp. 1272-1278.
- Lee, et al., "Harmonic Distortion Due to Narrow Width Effects in Deep Submicron SOI-CMOS Device for Analog RF Applications", 2002 IEEE International SOI Conference, Oct. 2002.

(56)

References Cited

OTHER PUBLICATIONS

- HI-5042 thru HI-5051 Datasheet, Harris Corporation, 1999.
- Eisenberg, et al., "High Isolation 1-20GHz MMIC Switches with On-Chip Drivers", IEEE Microwave and Millimeter-Wave Monolithic Circuits Symposium, 1989, pp. 41-45.
- Shifrin et al., "High Power Control Components Using a New Monolithic FET Structure", IEEE Microwave and Millimeter-Wave Monolithic Circuits Symposium, 1988, pp. 51-56.
- Kohama, et al., "High Power DPDT Antenna Switch MMIC for Digital Cellular Systems", GaAs IC Symposium, 1995, pp. 75-78.
- Kohama, et al., "High Power DPDT Antenna Switch MMIC for Digital Cellular Systems", IEEE Journal of Solid-State Circuits, 1996, pp. 1406-1411.
- Yun, et al., "High Power-GaAs MMIC Switches with Planar Semi-Insulated Gate FETs (SIGFETs)", International Symposium on Power Semiconductor Devices & ICs, 1990, pp. 55-58.
- Caverly, "High Power Gallium Nitride Devices for Microwave and RF Control Applications", 1999, pp. 1-30.
- Caverly, "High Power Gallium Nitride Devices for Microwave and RF Control Applications", 2000, pp. 1-33.
- Masuda, et al., "High Power Heterojunction GaAs Switch IC with P-1dB of more than 38dBm for GSM Application", IEEE, 1998, pp. 229-232.
- De Boer, et al., "Highly Integrated X-Band Multi-Function MMIC with Integrated LNA and Driver Amplifier", TNO Physics and Electronics Laboratory, 2002, pp. 1-4.
- Kanda, et al., "High Performance 19GHz Band GaAs FET Switches Using LOXI (Layered Oxide Isolation)—MESFETs", IEEE, 1997, pp. 62-65.
- Uda, et al., "High Performance GaAs Switch IC's Fabricated Using MESFETs with Two Kinds of Pinch Off Voltages", IEEE GaAs IC Symposium, 1993, pp. 247-250.
- Armijos, "High Speed DMOS FET Analog Switches and Switch Arrays", Temic Semiconductors 1994, pp. 1-10.
- Katzin, et al., "High Speed 100+ W RF Switches Using GaAs MMICs", IEEE Transactions on Microwave Theory and Techniques, 1992, pp. 1989-1996.
- Honeywell, "Honeywell SPDT Absorptive RF Switch", Honeywell, 2002, pp. 1-6.
- Honeywell, "Honeywell SPDT Reflective RF Switch", Honeywell Advance Information, 2001, pp. 1-3.
- Hirano, et al., "Impact of Actively Body Bias Controlled (ABC) SOI SRAM by Using Direct Body Contact Technology for Low Voltage Application", IEEE, 2003, pp. 2.4.1-2.4.4.
- Larson, "Integrated Circuit Technology Options for RFIC's—Present Status and Future Directions", IEEE Journal of Solid-State Circuits, 1998, pp. 387-399.
- Burghartz, "Integrated RF and Microwave Components in BiCMOS Technology", IEEE Transactions on Electron Devices, 1996, pp. 1559-1570.
- Kelly, "Integrated Ultra CMIS Designs in GSM Front End", Wireless Design Magazine, 2004, pp. 18-22.
- Bonkowski, et al., "Integration of Triple Band GSM Antenna Switch Module Using SOI CMOS", IEEE Radio Frequency Integrated Circuits Symposium, 2004, pp. 511-514.
- Le, International Search Report from the USPTO dated Mar. 2003 relating to U.S. Appl. No. 10/267,531.
- Marenk, et al., "Layout Optimization of Cascode RF SOI Transistors", IEEE International SOI Conference, 2001, pp. 105-106.
- Suematsu, et al., "L-Band Internally Matched Si-MMIC Front End", IEEE, 1996, pp. 2375-2378.
- Iyama, et al., "L-Band SPDT Switch Using Si-MOSFET", IEICE Trans. Electron, vol. E79-C, No. 5, May 1996, pp. 636-643.
- Caverly, "Linear and Nonlinear Characteristics of the Silicon CMOS Monolithic 50-Omega Microwave and RF Control Element", IEEE Journal of Solid-State Circuits, 1999, pp. 124-126.
- Adan, et al., "Linearity and Low Noise Performance of SOIMOSFETs for RF Applications", IEEE International SOI Conference, 2000, pp. 30-31.
- Megahed, et al., "Low Cost UTSi Technology for RF Wireless Applications", IEEE MTT-S Digest, 1998.
- Gu, et al., "Low Insertion Loss and High Linearity PHEMT SPDT and SP3T Switch Ics for WLAN 802.11a/b/g Application", 2004 IEEE Radio Frequency Integrated Circuits Symposium, 2004, pp. 505-508.
- Koudymov, et al., "Low Loss High Power RF Switching Using Multifinger AlGaIn/GaN MOSHFETs", University of South Carolina Scholar Commons, 2002, pp. 449-451.
- Abidi, "Low Power Radio Frequency IC's for Portable Communications", IEEE, 1995, pp. 544-569.
- Kuo, et al., "Low Voltage SOI CMOS VLSI Devices and Circuits", Wiley, 2001, pp. 57-60, 349-354.
- Wei, et al., "Measurements of Transient Effects in SOI DRAM/SRAM Access Transistors", IEEE Electron Device Letters, vol. 17, No. 5, May 1996.
- De La Houssaye, et al., "Microwave Performance of Optically Fabricated T-Gate Thin Film Silicon on Sapphire Based MOSFET's", IEEE Electron Device Letters, 1995, pp. 289-292.
- Shifrin, et al., "Monolithic FET Structure for High Power Control Component Applications", IEEE Transactions on Microwave Theory and Techniques, 1989, pp. 2134-2142.
- Smuk, et al., "Monolithic GaAs Multi-Throw Switches with Integrated Low Power Decoder/Driver Logic", 1997, IEEE Radio Frequency Integrated Circuits.
- McGrath, et al., "Multi Gate FET Power Switches", Applied Microwave, 1991, pp. 77-88.
- Smuk, et al., "Multi-Throw Plastic MMIC Switches up to 6GHz with Integrated Positive Control Logic", IEEE, 1999, pp. 259-262.
- Razavi, "Next Generation RF Circuits and Systems", IEEE, 1997, pp. 270-282.
- Gould, et al., "NMOS SPDT Switch MMIC with >48dB Isolation and 30dBm IIP3 for Applications within GSM and UMTS Bands", Bell Labs, 2001, pp. 1-4.
- Caverly, "Nonlinear Properties of Gallium Arsenide and Silicon FET-Based RF and Microwave Switches", IEEE, 1998, pp. 1-4.
- Tieu, Notice of Allowance and Fee(s) Due from the USPTO dated May 2004 relating to U.S. Appl. No. 10/267,531.
- Tieu, Notice of Allowance and Fee(s) Due from the USPTO dated Jul. 2008 relating to U.S. Appl. No. 11/582,206.
- Tieu, Notice of Allowance and Fee(s) Due from the USPTO dated Jun. 2006 relating to U.S. Appl. No. 10/922,135.
- Tran, Notice of Allowance and Fee(s) Due from the USPTO dated Jun. 2010 relating to U.S. Appl. No. 11/501,125.
- Tieu, Notice of Allowance and Fee(s) Due from the USPTO dated Apr. 2010 relating to U.S. Appl. No. 11/347,014.
- Tieu, Notice of Allowance and Fee(s) Due from the USPTO dated Dec. 2008 relating to U.S. Appl. No. 11/127,520.
- Luu, Notice of Allowance and Fee(s) Due from the USPTO dated Jul. 2009 relating to U.S. Appl. No. 11/351,342.
- Miyajima, Notice of Reasons for Refusal from the Japanese Patent Office dated Feb. 2006 relating to appln. No. 2003-535287.
- McGrath, et al., "Novel High Performance SPDT Power Switches Using Multi-Gate FET's", IEEE, 1991, pp. 839-842.
- Tieu, Office Action from the USPTO dated Nov. 2007 relating to U.S. Appl. No. 11/582,206.
- Tieu, Office Action from the USPTO dated Jun. 2005 relating to U.S. Appl. No. 10/922,135.
- Tieu, Notice of Allowance from the USPTO dated Jun. 2006 relating to U.S. Appl. No. 10/922,135.
- Chow, Office Action from the USPTO dated Apr. 2010 relating to U.S. Appl. No. 11/347,671.
- Tieu, Office Action from the USPTO dated Sep. 2009 relating to U.S. Appl. No. 11/347,014.
- Luu, Office Action from the USPTO dated Oct. 2008 relating to U.S. Appl. No. 11/351,342.
- Chow, Office Action from the USPTO dated Aug. 2010 relating to U.S. Appl. No. 11/347,671.
- Suematsu, "On-Chip Matching SI-MMIC for Mobile Communication Terminal Application", IEEE, 1997, pp. 9-12.

(56)

References Cited

OTHER PUBLICATIONS

- Caverly, et al., "On-State Distortion in High Electron Mobility Transistor Microwave and RF Switch Control Circuits", IEEE Transactions on Microwave Theory and Techniques, 2000, pp. 98-103.
- Kelly, Proposed Amendment After Final from the USPTO dated Jun. 2009 relating to U.S. Appl. No. 11/351,342.
- "Radiation Hardened CMOS Dual DPST Analog Switch", Intersil, 1999, pp. 1-2.
- Newman, "Radiation Hardened Power Electronics", Intersil Corporation, 1999, pp. 1-4.
- Kelly, Response and Terminal Disclaimer filed in the USPTO dated Mar. 2010 relating to U.S. Appl. No. 11/347,014.
- Burgener, et al., Response filed in the USPTO dated May 2006 relating to U.S. Appl. No. 10/922,135.
- Kelly, Response to Office Action mailed to USPTO relating to U.S. Appl. No. 11/351,342 dated Jan. 30, 2009.
- "RF & Microwave Device Overview 2003—Silicon and GaAs Semiconductors", NEC, 2003.
- "RF Amplifier Design Using HFA3046, HFA3096, HFA3127, HFA3128 Transistor Arrays", Intersil Corporation, 1996, pp. 1-4.
- "SA630 Single Pole Double Throw (SPDT) Switch", Philips Semiconductors, 1997.
- Narendra, et al., "Scaling of Stack Effects and its Application for Leakage Reduction", ISLPED 2001, 2001, pp. 195-200.
- Huang, "Schottky Clamped MOS Transistors for Wireless CMOS Radio Frequency Switch Application", University of Florida, 2001, pp. 1-167.
- Botto, et al., "Series Connected Soft Switched IGBTs for High Power, High Voltage Drives Applications: Experimental Results", IEEE, 1997, pp. 3-7.
- Baker, et al., "Series Operation of Power MOSFETs for High Speed Voltage Switching Applications", American Institute of Physics, 1993, pp. 1655-1656.
- Lovelace, et al., "Silicon MOSFET Technology for RF ICs", IEEE, 1995, pp. 1238-1241.
- Rodgers, et al., "Silicon UTSi CMOS RFIC for CDMA Wireless Communications System", IEEE MTT-S Digest, 1999, pp. 485-488.
- "Silicon Wave SiW1502 Radio Modem IC", Silicon Wave, 2000, pp. 1-21.
- Johnson, et al., "Silicon-On-Sapphire MOSFET Transmit/Receive Switch for L and S Band Transceiver Applications", Electronic Letters, 1997, pp. 1324-1326.
- Reedy, et al., "Single Chip Wireless Systems Using SOI", IEEE International SOI Conference, 1999, pp. 8-11.
- Stuber, et al., "SOI CMOS with High Performance Passive Components for Analog, RF and Mixed Signal Designs", IEEE International SOI Conference, 1998, pp. 99-100.
- Chung, et al., "SOI MOSFET Structure with a Junction Type Body Contact for Suppression of Pass Gate Leakage", IEEE Transactions on Electron Devices, vol. 48, No. 7, Jul. 2001.
- Rozeau, "SOI Technologies Overview for Low Power Low Voltage Radio Frequency Applications", Analog Integrated Circuits and Signal Processing, Nov. 2000, pp. 93-114.
- Fukuda, et al., "SOI CMOS Device Technology", Special Edition on 21st Century Solutions, 2001, pp. 54-57.
- Fukuda, et al., "SOI CMOS Device Technology", OKI Technical Review, 2001, pp. 54-57.
- Kusunoki, et al., "SPDT Switch MMIC Using E/D Mode GaAs JFETs for Personal Communications", IEEE GaAs IC Symposium, 1992, pp. 135-138.
- Caverly, et al., "SPICE Modeling of Microwave and RF Control Diodes", IEEE, 2000, pp. 28-31.
- Kuang, et al., "SRAM Bitline Circuits on PD SOI: Advantages and Concerns", IEEE Journal of Solid State Circuits, vol. 32, No. 6, Jun. 1997.
- Baker, et al., "Stacking Power MOSFETs for Use in High Speed Instrumentation", American Institute of Physics, 1992, pp. 5799-5801.
- Sanders, "Statistical Modeling of SOI Devices for the Low Power Electronics Program", AET, Inc., 1995, pp. 1-109.
- Karandikar, et al., "Technology Mapping for SOI Domino Logic Incorporating Solutions for the Parasitic Bipolar Effect", ACM, 2001, pp. 1-14.
- Huang, et al., "TFSOI Can It Meet the Challenge of Single Chip Portable Wireless Systems", IEEE International SOI Conference, 1997, pp. 1-3.
- Devlin, "The Design of Integrated Switches and Phase Shifters", 1999.
- Hess, et al., "Transformerless Capacitive Coupling of Gate Signals for Series Operation of Power MOS Devices", IEEE, 1999, pp. 673-675.
- "uPG13xG Series L-Band SPDT Switch GaAs MMIC", NEC, 1996, pp. 1-30.
- Reedy, et al., "UTSi CMOS: A Complete RF SOI Solution", Peregrine Semiconductor, 2001, pp. 1-6.
- Hittite Microwave, "Wireless Symposium 2000 is Stage for New Product Introductions", Hittite Microwave, 2000, pp. 1-8.
- Montoriol, et al., "3.6V and 4.8V GSM/DCS1800 Dual Band PA Application with DECT Capability Using Standard Motorola RFICs", 2000, pp. 1-20.
- Wang, et al., "Efficiency Improvement in Charge Pump Circuits", IEEE Journal of Solid-State Circuits, vol. 32, No. 6, Jun. 1997, pp. 852-860.
- Ajjkuttira, et al., "A Fully Integrated CMOS RFIC for Bluetooth Applications", IEEE International Solid-State Circuits Conference, 2001, pp. 1-3.
- Apel, et al., "A GaAs MMIC Transceiver for 2.45 GHz Wireless Commercial Products", Microwave and Millimeter-Wave Monolithic Circuits Symposium, 1994, pp. 15-18.
- Assaderaghi, et al., "Dynamic Threshold Voltage MOSFET (DTMOS) for Ultra Low Voltage VLSI", IEEE Transactions on Electron Devices, vol. 44, No. 3, Mar. 1997, pp. 414-422.
- Caverly, et al., "CMOS RF Circuits for Integrated Wireless Systems", IEEE, 1998, pp. 1-4.
- Bolam, et al., "Reliability Issues for Silicon-on-Insulator", IBM Micro Electronics Division, IEEE 2000, pp. 6.4.1-6.4.4.
- Chao, et al., "High-Voltage and High-Temperature Applications of DTMOS with Reverse Schottky Barrier on Substrate Contacts", vol. 25, No. 2, Feb. 2004, pp. 86-88.
- Devlin, et al., "A 2.4 GHz Single Chip Transceiver", Microwave and Millimeter-Wave Monolithic Circuits Symposium, 1993, pp. 23-26.
- Fiorenza, et al., "RF Power Performance of LDMOSFETs on SOI: An Experimental Comparison with Bulk Si MOSFETs", IEEE Radio Frequency Integrated Circuits Symposium, 2001, pp. 43-46.
- Giffard, et al., "Dynamic Effects in SOI MOSFETs", IEEE SOS/SOI Technology Conference, Oct. 1991, pp. 160-161.
- Hirano, et al., "Impact of Actively Body-Bias Controlled (ABC) SOI SRAM by Using Direct Body Contact Technology for Low-Voltage Applications", IEEE, 2003, pp. 2.4.1-2.4.4.
- Imai, et al., "Novel High Isolation FET Switches", IEEE Transactions on Microwave Theory and Techniques, 1996, pp. 685-691.
- Ishida, et al., "A Low Power GaAs Front End IC with Current Reuse Configuration Using 0.15 μm Gate GaAs MODFETs", IEEE, 1997, pp. 669-672.
- Iwata, et al., "Gate Over Driving CMOS Architecture for 0.5V Single Power Supply Operated Devices", IEEE, 1997, pp. 290-291, 473.
- Kumar, et al., "A Simple High Performance Complementary TFSOI BiCMOS Technology with Excellent Cross-Talk Isolation", 2000 IEEE International SOI Conference, 2000, pp. 142-143.
- Kwok, "An X-Band SOS Resistive Gate Insulator Semiconductor (RIS) Switch", IEEE Transactions on Electron Device, 1980, pp. 442-448.
- Lee, et al., "Effect of Body Structure on Analog Performance of SOI NMOSFETs", 1998 IEEE International SOI Conference, Oct. 1998, pp. 61-62.
- Lee, "CMOS RF: (Still) No Longer an Oxymoron (Invited)", IEEE Radio Frequency Integrated Circuits Symposium, 1999, pp. 3-6.

(56)

References Cited

OTHER PUBLICATIONS

- Madhian, et al., "A 2-V, 1-10GHz BiCMOS Transceiver Chip for Multimode Wireless Communications Networks", IEEE, 1997, pp. 521-525.
- McRory, et al., "Transformer Coupled Stacked FET Power Amplifier", IEEE Journal of Solid State Circuits, vol. 34, No. 2, Feb. 1999, pp. 157-161.
- Nagayama, et al., "Low Insertion Loss DP3T MMIC Switch for Dual Band Cellular Phones", IEEE Journal of Solid State Circuits, 1999, pp. 1051-1055.
- Nishijima, et al., "A High Performance Transceiver Hybrid IC for PHS Hand Set Operating with Single Positive Voltage Supply", Microwave Symposium Digest, 1997, pp. 1155-1158.
- O, et al., "CMOS Components for 802.11b Wireless LAN Applications", IEEE Radio Frequency Integrated Circuits Symposium, 2002, pp. 103-106.
- Peczalski, "RF/Analog/Digital SOI Technology GPS Receivers and Other Systems on a Chip", IEEE Aerospace Conference Proceedings, 2002, pp. 2013-2017.
- Shifrin, et al., "A New Power Amplifier Topology with Series Biasing and Power Combining of Transistors", IEEE 1992 Microwave and Millimeter-Wave Monolithic Circuits Symposium, 1992, pp. 39-41.
- Shimura, et al., "High Isolation V-Band SPDT Switch MMIC for High Power Use", IEEE MTT-S International Microwave Symposium Digest, 2001, pp. 245-248.
- Uda, et al., "A High Performance and Miniaturized Dual Use (antenna/local) GaAs SPDT Switch IC Operating at +3V/0V", Microwave Symposium Digest, 1996, pp. 141-144.
- Uda, et al., "High Performance GaAs Switch IC's Fabricated Using MESFETs with Two Kinds of Pinch Off Voltages and a Symmetrical Pattern Configuration", IEEE Journal of Solid-State Circuits, 1994, pp. 1262-1269.
- Lee, et al., "Analysis of Body Bias Effect with PD-SOI for Analog and RF Application", Solid State Electron, vol. 46, 2002, pp. 1169-1176.
- Ippoushi, "SOI Structure Avoids Increases in Chip Area and Parasitic Capacitance Enables Operational Control of Transistor Threshold Voltage", Renesas Edge, vol. 2004.5, Jul. 2004, p. 15.
- Park, "A Regulated, Charge Pump CMOS DC/DC Converter for Low Power Application", 1998, pp. 1-62.
- Hittite Microwave, Floating Ground SPNT MMIC Switch Driver Techniques, 2001.
- Caverly, et al., "Gallium Nitride-Based Microwave and RF Control Devices", 2001.
- Sedra, et al., "Microelectronic Circuits", University of Toronto, Oxford University Press, Fourth Edition, 1982, 1987, 1991, 1998, pp. 374-375.
- Bahl, "Lumped Elements for RF and Microwave Circuits", Artech House, 2003, pp. 353-394.
- "Positive Bias GaAs Multi-Throw Switches with Integrated TTL Decoders", Hittite Microwave, 2000.
- Hiramoto, Toshiro, "Low Power and Low Voltage MOSFETs with Variable Threshold Voltage Controlled by Back-Bias", IEICE Trans. Electron., Vol. E83-C, No. 2, Feb. 2, 2000, pp. 161-169.
- Drozdovsky, et al., "Large Signal Modeling of Microwave Gallium Nitride Based HFETs", Asia Pacific Microwave Conference, 2001, pp. 248-251.
- Ayasli, "Microwave Switching with GaAs FETs", Microwave Journal, 1982, pp. 719-723.
- Eron, "Small and Large Signal Analysis of MESFETs as Switches" Microwave Journal, 1992.
- "A Voltage Regulator for GaAs FETs", Microwave Journal, 1995.
- Slobodnik, et al., "Millimeter Wave GaAs Switch FET Modeling", Microwave Journal, 1989.
- Madhian, et al., "A 2-V, 1-10GHz BiCMOS Transceiver Chip for Multimode Wireless Communications Network", IEEE, 1997, pp. 521-525.
- Caverly, "Distortion in GaAs MESFET Switch Circuits", 1994.
- Chen, et al., "Dual-Gate GaAs FET: A Versatile Circuit Component for MMICs", Microwave Journal, Jun. 1989, pp. 125-135.
- Bullock, "Transceiver and System Design for Digital Communication", Noble, 2000.
- Crols, "CMOS Wireless Transceiver Design", Kluwer Academic, 1997.
- Hickman, "Practical RF Handbook", Newnes, 1997.
- Hagen, "Radio Frequency Electronics", Cambridge University Press, 1996.
- Kuo, et al., "Low-Voltage SOI CMOS VLSI Devices and Circuits", Wiley Interscience, XP001090589, New York, 2001, pp. 57-60, 349-354.
- Leenaerts, "Circuits Design for RF Transceivers" Kluwer Academic, 2001.
- Johnson, "Advanced High-Frequency Radio Communication", Artech House, 1997.
- Larson, "RF and Microwave Circuit Design for Wireless Communications", Artech House, 1996.
- Misra, "Radio Frequency and Microwave Communication Circuits", Wiley, 2001.
- NEC Corporation, "uPG13xG Series L-Band SPDT Switch GaAs MMIC", Document No. P1096EJ1VOANDO (1st Edition), Feb. 1996, 30 pgs.
- Pozar, "Microwave and RF Design of Wireless Systems", Wiley, 2001.
- Maas, "The RF and Microwave Circuit Design Cookbook", Artech House, 1998.
- Smith, "Modem Communication Systems", McGraw-Hill, 1998.
- Van Der Puije, "Telecommunication Circuit Design", Wiley, 2002.
- Razavi, "RF Microelectronics", Prentice-Hall, 1998.
- Van Der Puije, "Telecommunication Circuit Design", Wiley, 1992.
- Weisman, "The Essential Guide to RF and Wireless", Prentice-Hall, 2000.
- Wetzel, "Silicon-on-Sapphire Technology for Microwave Power Application", University of California, San Diego, 2001.
- Johnson, "Silicon-on-Sapphire Technology for Microwave Circuit Applications", Dissertation, UCSD, 1997, pp. 1-184.
- Gibson, "The Communication Handbook", CRC Press, 1997.
- Hanzo, "Adaptive Wireless Transceivers", Wiley, 2002.
- Itoh, "RF Technologies for Low Power Wireless Communications", Wiley, 2001.
- Lossee, "RF Systems, Components, and Circuits Handbook", Artech House, 1997.
- Miller, "Modem Electronic Communications", Prentice-Hall, 1999.
- Minoli, "Telecommunications Technology Handbook", Artech House, 2003.
- Morreale, "The CRC Handbook of Modem Telecommunication", CRC Press, 2001.
- Sayre, "Complete Wireless Design", McGraw-Hill, 2001.
- Schaper, "Communications, Computations, Control, and Signal Processing", Kluwer Academic, 1997.
- Shafi, "Wireless Communications in the 21st Century", Wiley, 2002.
- Willert-Porata, M, Advanced in Microwave and Radio Frequency Processing, 8th International Conference on Microwave and High-Frequency Heating, Oct. 2009.
- "An Ultra-Thin Silicon Technology that Provides Integration Solutions on Standard CMOS", Peregrine Semiconductor, 1998.
- Caverly, "Distortion in Microwave Control Devices", 1997.
- Masuda, et al., "RF Current Evaluation of ICs by MP-10L", NEC Research & Development, vol. 40-41, 1999, pp. 253-258.
- "Miniature Dual Control SP4T Switches for Low Cost Multiplexing", Hittite Microwave, 1995.
- Uda, "Miniaturization and High Isolation of a GaAs SPDT Switch IC Mounted in Plastic Package", 1996.
- Marshall, et al., "SOI Design: Analog, Memory, and Digital Techniques", Kluwer Academic Publishers, 2002.
- Bernstein, et al., "SOI Circuit Design Concepts", Springer Science + Business Media, 2000.
- Brinkman, et al., Respondents' Notice of Prior Art, Investigation No. 337-TA-848, dated Aug. 31, 2012, 59 pgs.
- Barker, Communications Electronics—Systems, Circuits, and Devices, 1987, Prentice-Hall.

(56)

References Cited

OTHER PUBLICATIONS

- Carr, "Secrets of RF Circuit Design", McGraw-Hill, 1997.
- Couch, "Digital and Analog Communication Systems", 2001, Prentice-Hall.
- Couch, "Modern Telecommunication System", Prentice-Hall, 1995.
- Freeman, "Radio System Design for Telecommunications", Wiley, 1997.
- Unterberger, M., Summons to attend oral proceedings pursuant to Rule 115(1) EPC dated Oct. 17, 2013 for related appln. No. 02800982.7, 15 pgs.
- Nguyen, Niki, Final Office Action received from the USPTO dated Sep. 27, 2013 for related U.S. Appl. No. 13/277,108, 9 pgs.
- Tieu, Binh, Notice of Allowance received from the USPTO dated Sep. 30, 2013 for related U.S. Appl. No. 12/980,161, 8 pgs.
- Shingleton, Michael, Final Office Action received from the USPTO dated Oct. 23, 2013 for related U.S. Appl. No. 11/881,816, 25 pgs.
- European Patent Office, Brief Communication dated Jan. 16, 2014 regarding Oral Proceedings to be held Feb. 12, 2014, letter from opponent dated Jan. 10, 2014, for related appln. No. 02800982.7, 7 pgs.
- Han, et al., "A Simple and Accurate Method for Extracting Substrate Resistance of RF MOSFETs", IEEE Electron Device Letters, vol. 23, No. 7, Jul. 2002, pp. 434-436.
- Wei, et al., "Large-Signal Model of Triple-Gate MESFET/PHEMT for Switch Applications", Alpha Industries, Inc., 1999 IEEE, pp. 745-748.
- Soyuer, et al., "RF and Microwave Building Blocks in a Standard BiCMOS Technology", IBM T.J. Watson Research Center, 1996 IEEE, pp. 89-92.
- Mizutani, et al., "Compact DC-60-GHz HJFET MMIC Switches using Ohmic Electrode-Sharing Technology", IEEE Transactions on Microwave Theory and Techniques, vol. 46, No. 11, Nov. 1998, pp. 1597-1603.
- Ota, et al., "High Isolation and Low Insertion Loss Switch IC Using GaAs MESFETs", IEEE Transactions on Microwave Theory and Techniques, vol. 43, No. 9, Sep. 1995, pp. 2175-2177.
- Koo, Raymond, "RF Switches", Univ. Toronto, Elec. And Computer Engineering Dept. 2001, 12 pgs.
- Titus, et al., "A Silicon BiCMOS Transceiver Front-End MMIC Covering 900 and 1900 MHz Applications", Hittite Microwave Corporation, IEEE 1996 Microwave and Millimeter-Wave Monolithic Circuits Symposium, pp. 73-75.
- Rossek, Sacha, "Direct Optical Control of a Microwave Phase Shifter Using GaAs Field-Effect Transistors", Communications Research Group, School of Electronic Engineering, Faculty of Technology, Middlesex University, Sep. 1998, 224 pgs.
- Morena, Enrico, Communication pursuant to Article 94(3) EPC received from the EPO for related appln. No. 06814836.0 dated Dec. 18, 2013, 5 pgs.
- Peregrine Semiconductor Corporation, Response filed in the EPO dated Jan. 9, 2014 for related appln. No. 02800982.7, 21 pgs.
- Nguyen, Niki Hoang, Notice of Allowance received from the USPTO dated Jan. 10, 2014 for related U.S. Appl. No. 13/277,108, 24 pgs.
- Adriaensen, et al., "Analysis and Potential of the Bipolar- and Hybrid-Mode Thin-Film SOI MOSFETs for High-Temperature Applications", Laboratoire de Microelectronique, Universite catholique de Louvain, May 2001, 5 pgs.
- Fling, et al., "Present Status and Future Direction of BSIM SOIL Model for High-Performance/Low-Power/RF Application", IBM Microelectronics, Semiconductor Research and Development Center, Apr. 2002, 4 pgs. REF 24.
- Weigand, Christopher, "An ASIC Driver for GaAs FET Control Components", Technical Feature, Applied Microwave & Wireless, 2000, pp. 42-48.
- Lederer, et al., "Frequency degradation of SOI MOS device output conductance", Microwave Laboratory of Universite catholique de Louvain, Belgium, Sep./Oct. 2003, 1 pg.
- Bawedin, et al., "Unusual Floating Body Effect in Fully Depleted MOSFETs", IMEP, Enserg, France and Microelectronics Laboratory, UCL, Belgium, Oct. 2004, 22 pgs.
- Brindle, et al., Amendment filed in the USPTO dated Dec. 26, 2013 for related U.S. Appl. No. 13/850,251, 22 pgs.
- Brindle, et al., Amendment After Final filed in the USPTO dated Dec. 27, 2013 for related U.S. Appl. No. 13/277,108, 8 pgs.
- Ionescu, et al., "A Physical Analysis of Drain Current Transients at Low Drain Voltage in Thin Film SOI MOSFETs", Microelectronic Engineering 28 (1995), pp. 431-434.
- Suh, et al., "A Physical Charge-Based Model for Non-Fully Depleted SOI MOSFET's and Its Use in Assessing Floating-Body Effects in SOI CMOS Circuits", IEEE Transactions on Electron Devices, vol. 42, No. 4, Apr. 1995, pp. 728-737.
- Wang, et al., "A Robust Large Signal Non-Quasi-Static MOSFET Model for Circuit Simulation", IEEE 2004 Custom Integrated Circuits Conference, pp. 2-1-1 through 2-1-4.
- Terauchi, et al., "A 'Self-Body-Bias' SOI MOSFET: A Novel Body-Voltage-Controlled SOI MOSFET for Low Voltage Applications", The Japan Society of Applied Physics, vol. 42 (2003), pp. 2014-2019, Part 1, No. 4B, Apr. 2003.
- Dehan, et al., "Dynamic Threshold Voltage MOS in Partially Depleted SOI Technology: A Wide Frequency Band Analysis", Solid-State Electronics 49 (2005), pp. 67-72.
- Kuroda, et al., "A 0.9-V, 150-MHz, 10-mW, 4 mm², 2-D Discrete Cosine Transform Core Processor with Variable Threshold-Voltage (VT) Scheme", IEEE Journal of Solid-State Circuits, vol. 31, No. 11, Nov. 1996, pp. 1770-1779.
- Kuroda, et al., "A 0.9-V, 150-MHz, 10-mW, 4 mm², 2-D Discrete Cosine Transform Core Processor with Variable-Threshold-Voltage Scheme", Technical Paper, 1996 IEEE International Solid-State Circuits Conference, 1996 Digest of Technical Papers, pp. 166-167.
- Cathelin, et al., "Antenna Switch Devices in RF Modules for Mobile Applications", ST Microelectronics, Front-End Technology and Manufacturing, Crolles, France, Mar. 2005, 42 pgs.
- Cristoloveanu, Sorin, "State-of-the-art and Future of Silicon on Insulator Technologies, Materials, and Devices", Microelectronics Reliability 40 (2000), pp. 771-777.
- Sivaram, et al., "Silicon Film Thickness Considerations in SOI-DTMOS", IEEE Device Letters, vol. 23, No. 5, May 2002, pp. 276-278.
- Drake, et al., "Analysis of the Impact of Gate-Body Signal Phase on DTMOS Inverters in 0.13 μ m PD-SOI", Department of EECS, University of Michigan, Ann Arbor, MI, Sep./Oct. 2003, 4 pgs.
- Drake, et al., "Analysis of the Impact of Gate-Body Signal Phase on DTMOS Inverters in 0.13 μ m PD-SOI", Department of EECS, University of Michigan, Ann Arbor, MI, Sep./Oct. 2003, 16 pgs.
- Drake, et al., Evaluation of Dynamic-Threshold Logic for Low-Power VLSI Design in 0.13 μ m PD-SOI, University of Michigan, Ann Arbor, MI, Dec. 2003, 29 pgs.
- Dehan, et al., "Alternative Architectures of SOI MOSFET for Improving DC and Microwave Characteristics", Microwave Laboratory, Universite catholique de Louvain, Sep. 2001, 4 pgs.
- Colinge, Jean-Pierre, "An SOI Voltage-Controlled Bipolar-MOS Device", IEEE Transactions on Electron Devices, vol. ED-34, No. 4, Apr. 1987, pp. 845-849.
- Pelella, et al., "Analysis and Control of Hysteresis in PD/SOI CMOS", University of Florida, Gainesville, FL., 1999 IEEE, pp. 34.5.1 through 34.5.4.
- Gentinne, et al., "Measurement and Two-Dimensional Simulation of Thin-Film SOI MOSFETs: Intrinsic Gate Capacitances at Elevated Temperatures", Solid-State Electronics, vol. 39, No. 11, pp. 1613-1619, 1996.
- Su, et al., "On the Prediction of Geometry-Dependent Floating-Body Effect in SOI MOSFETs", IEEE Transactions on Electron Devices, vol. 52, No. 7, Jul. 2005, pp. 1662-1664.
- Lederer, et al., "Frequency degradation of SOI MOS device output conductance", Microwave Laboratory of UCL, Belgium, IEEE 2003, pp. 76-77.
- Cheng, et al., "Gate-Channel Capacitance Characteristics in the Fully-Depleted SOI MOSFET", IEEE Transactions on Electron Devices, vol. 48, No. 2, Feb. 2001, pp. 388-391.

(56)

References Cited

OTHER PUBLICATIONS

Ferlet-Cavrois, et al., "High Frequency Characterization of SOI Dynamic Threshold Voltage MOS (DTMOS) Transistors", 1999 IEEE International SOI Conference, Oct. 1999, pp. 24-25.

Yeh, et al., "High Performance 0.1um Partially Depleted SOI CMOSFET", 2000 IEEE International SOI Conference, Oct. 2000, pp. 68-69.

Flandre, et al., "Design of EEPROM Memory Cells in Fully Depleted 'CMOS SOI Technology'", Catholic University of Louvain Faculty of Applied Science, Laboratory of Electronics and Microelectronics, Academic Year 2003-2004, 94 pgs.

Takamiya, et al., "High-Performance Accumulated Back-Interface Dynamic Threshold SOI MOSFET (AB-DTMOS) with Large Body Effect at Low Supply Voltage", Japanese Journal of Applied Physics, vol. 38 (1999), Part 1, No. 4B, Apr. 1999, pp. 2483-2486.

Drake, et al., "Evaluation of Dynamic-Threshold Logic for Low-Power VLSI Design in 0.13 μm PD-SOI", IFIP VLSI-SoC 2003, IFIP WG 10.5 International Conference on Very Large Scale Integration of System-on-Chip, Darmstadt, Germany, Dec. 1-3, 2003.

Huang, et al., "Hot Carrier Degradation Behavior in SOI Dynamic-Threshold-Voltage nMOSFET's (n-DTMOSFET) Measured by Gated-Diode Configuration", Microelectronics Reliability 43 (2003), pp. 707-711.

Goo, et al., "History-Effect-Conscious SPICE Model Extraction for PD-SOI Technology", 2004 IEEE International SOI Conference, Oct. 2004, pp. 156-158.

Workman, et al., "Dynamic Effects in BTG/SOI MOSFETs and Circuits Due to Distributed Body Resistance", Proceedings 1997 IEEE International SOI Conference, Oct. 1997, pp. 28-29.

Ernst, et al., "Detailed Analysis of Short-Channel SOI DT-MOSFET", Laboratoire de Physique des Composants a Semiconducteurs, Enserg, France, Sep. 1999, pp. 380-383.

Huang, et al., "Device Physics, Performance Simulations and Measured Results of SOI MOS and DTMOS Transistors and Integrated Circuits", Beijing Microelectronics Technology Institute, 1998 IEEE, pp. 712-715.

Bernstein, et al., "Design and CAD Challenges in sub-90nm CMOS Technologies", IBM Thomas J. Watson Research Center, NY, Nov. 11-13, 2003, pp. 129-136.

Wiatr, et al., "Impact of Floating Silicon Film on Small-Signal Parameters of Fully Depleted SOI-MOSFETs Biased into Accumulation", Solid-State Electronics 49 (2005), Received Sep. 11, 1930, revised on Nov. 9, 2004, pp. 779-789.

Gritsch, et al., "Influence of Generation/Recombination Effects in Simulations of Partially Depleted SOI MOSFETs", Solid-State Electronics 45 (2001), Received Dec. 22, 2000, accepted Feb. 14, 2001, pp. 621-627.

Chang, et al., "Investigations of Bulk Dynamic Threshold-Voltage MOSFET with 65 GHz "Normal-Mode" Ft and 220GHz "Over-Drive Mode" Ft for RF Applications", Institute of Electronics, National Chiao-Tung Universtiy, Taiwan, 2001 Symposium on VLSI Technology Digest of Technical Papers, pp. 89-90.

Horiuchi, Masatada, "A Dynamic-Threshold SOI Device with a J-FET Embedded Source Structure and a Merged Body-Bias-Control Transistor—Part I: A J-FET Embedded Source Structure Properties", IEEE Transactions on Electron Devices, vol. 47, No. 8, Aug. 2000, pp. 1587-1592.

Horiuchi, Masatada, "A Dynamic-Threshold SOI Device with a J-FET Embedded Source Structure and a Merged Body-Bias-Control Transistor—Part II: Circuit Simulation", IEEE Transactions on Electron Devices, vol. 47, No. 8, Aug. 2000, pp. 1593-1598.

Casu, Mario Roberto, "High Performance Digital CMOS Circuits in PD-SOI Technology: Modeling and Design", Tesi di Dottorato di Ricerca, Gennaio 2002, Politecnico di Torino, Corso di Dottorato di Ricerca in Ingegneria Elettronica e delle Comunicazioni, 200 pgs.

Tinella, Carlo, "Study of the potential of CMOS-SOI technologies partially abandoned for radiofrequency applications", Thesis for obtaining the standard of Doctor of INPG, National Polytechnic of Grenoble, Sep. 25, 2003, 187 pgs.

Dribinsky, et al. Response filed in USPTO dated Feb. 4, 2014 for related U.S. Appl. No. 11/881,816, 20 pgs.

Shingleton, Michael, Advisory Action received from the USPTO dated Feb. 19, 2014 for related U.S. Appl. No. 11/881,816, 3 pgs.

Dribinsky, et al., Notice of Appeal, Pre-Appeal Brief Request for Review and Reasons Accompanying Pre-Appeal Brief Request for review filed in the USPTO dated Feb. 20, 2014 for related U.S. Appl. No. 11/881,816, 7 pgs.

Scheinberg, et al., "A Computer Simulation Model for Simulating Distortion in FET Resistors", IEEE Transactions on Computer-Aided Design of Integrated Circuits and Systems, vol. 19, No. 9, Sep. 2000, pp. 981-989.

Streetman, et al., "Solid State Electronic Devices", Microelectronics Research Center, Dept. of Electrical and Computer Engineering, The University of Texas at Austin, Chapter 6, 2004 by Pearson Education Inc., 4 pgs.

Tokumitsu, et al., "A Low-Voltage, High-Power T/R-Switch MMIC Using LC Resonators", IEEE Transactions on Microwave Theory and Techniques, vol. 43, No. 5, May 1995, pp. 997-1003.

Adan, et al., "OFF-State Leakage Current Mechanisms in BulkSi and SOI MOSFETs and Their Impact on CMOS ULSIs Standby Current", IEEE Transactions on Electron Devices, vol. 48, No. 9, Sep. 2001, pp. 2050-2057.

Chan, et al., "A Novel SOI CBiCMOS Compatible Device Structure for Analog and Mixed-Mode Circuits", Dept. of EECS, University of California at Berkeley, IEEE 1995, pp. 40-43.

Street, A.M., "RF Switch Design", The Institution of Electrical Engineers, 2000, pp. 4/1-4/7.

Adan, et al., "Linearity and Low-Noise Performance of SOI MOSFETs for RF Applications", IEEE Transactions on Electron Devices, vol. 49, No. 5, May 2002, pp. 881-888.

Cristoloveanu, et al., "The Four-Gate Transistor", Institute of Microelectronics, Electromagnetism and Photonics, ESSDERC 2001, pp. 323-326.

Ayasli, et al., "An X-Band 10 W Monolithic Transmit-Receive GaAs FET Switch", Raytheon Research Division, 1982 IEEE, pp. 42-46.

Dufrene, et al., "The G4-FET: Low Voltage to High Voltage Operation and Performance", Dept. of Electrical and Computer Engineering, The University of Tennessee, IEEE 2003, pp. 55-56.

Pucel, et al., "A Multi-Chip GaAs Monolithic Transmit/Receive Module for X-Band", Research Division, Raytheon Company, 1982 IEEE MTT-S Digest, pp. 489-492.

Dufrene, et al., "Investigation of the Four-Gate Action in G4-FETs", IEEE Transactions on Electron Devices, vol. 51, No. 11, Nov. 2004, pp. 1931-1935.

Ayasli, et al., "A Monolithic Single-Chip X-Band Four-Bit Phase Shifter", IEEE Transactions on Microwave Theory and Techniques, vol. MTT-30, No. 12, Dec. 1982, pp. 2201-2206.

Akarvardar, et al., "Multi-Bias Dependence of Threshold Voltage, Subthreshold Swing, and Mobility in G4-FETs", Institute of Microelectronics, Electromagnetism, and Photonics, IEEE 2003, pp. 127-130.

Lim, et al., "Partial SOI LDMOSFETs for High-Side Switching", Dept. of Engineering, University of Cambridge, 1999 IEEE, pp. 149-152.

Akarvardar, et al., "Threshold Voltage Model of the SOI 4-Gate Transistor", 2004 IEEE International SOI Conference, Oct. 2004, pp. 89-90.

Imam, et al., "A Simple Method to Determine the Floating-Body Voltage of SOI CMOS Devices", IEEE Electron Device Letters, vol. 21, No. 1, Jan. 2000, pp. 21-23.

Allen, Thomas P., "Characterization and Modeling of Silicon-on-Insulator Field Effect Transistors", Department of Electrical Engineering and Computer Science, MIT, May 20, 1999, 80 pgs.

Fung, et al., "Frequency Dispersion in Partially Depleted SOI MOSFET Output Resistance", Proceedings 1996 IEEE International SOI Conference, Oct. 1996, pp. 146-147.

Chen, Suheng, "G4-FET Based Voltage Reference", Masters Theses. University of Tennessee, Knoxville, Trace: Tennessee Research and Creative Exchange, May 2004, 57 pgs.

(56)

References Cited

OTHER PUBLICATIONS

Zhu, et al., "Simulation of Suppression of Floating-Body Effect in Partially Depleted SOI MOSFET Using a Si_{1-x}Ge_x Dual Source Structure", *Materials Science and Engineering B* 114-115 (2004), pp. 264-268.

Hieda, et al., Floating-Body Effect Free Concave SOI-MOSFETs (COSMOS), ULSI Research Center, Toshiba Corporation, IEEE 1991, pp. 26.2.1-26.2.4.

Marks, Jeffery Earl, "SOI for Frequency Synthesis in RF Integrated Circuits", Thesis submitted to North Carolina State University, 2003, 155 pgs.

Moye, et al., "A Compact Broadband, Six-Bit MMIC Phasor with Integrated Digital Drivers", IEEE 1990 Microwave and Millimeter-Wave Monolithic Circuits Symposium, 1988 IEEE, pp. 123-126.

Smuk, et al., "Monolithic GaAs Multi-Throw Switches with Integrated Low-Power Decoder-Driver Logic". Hittite Microwave Corporation, Jun. 1997, 4 pgs.

Uda, et al., "High-Performance GaAs Switch IC's Fabricated Using MESFET's with Two Kinds of Pinch-off Voltages and a Symmetrical Pattern Configuration", IEEE Journal of Solid-State Circuits, vol. 29, No. 10, Oct. 1994, pp. 1262-1269.

Tseng, et al., "AC Floating-Body Effects in Submicron Fully Depleted (FD) SOI nMOSFET's and the Impact on Analog Applications", IEEE Electron Device Letters, No. 19, No. 9, Sep. 1998, pp. 351-353.

Ming, et al., "A New Structure of Silicon-on-Insulator Metal-Oxide-Semiconductor Field Effect Transistor to Suppress the Floating Body Effect", *Chin. Phys. Lett.*, vol. 20, No. 5 (2003), pp. 767-769.

Huber & Schussler, Report on Decision in EPO Opposition Division for related appln. No. 02800982.7-2220 dated Feb. 25, 2014, 13 pgs.

Dang, Hung J., Office Action received from the USPTO dated Feb. 26, 2014 for related U.S. Appl. No. 12/735,954, 34 pgs.

Nguyen, Niki Hoang, Office Action received from the USPTO dated Apr. 2, 2014 for related U.S. Appl. No. 13/850,251, 9 pgs.

Stuber, et al., Continuation application and Figures as filed in the USPTO on Jul. 22, 2013 for related U.S. Appl. No. 13/948,094, 132 pgs.

Brindle, et al., Continuation application and Figures as filed in the USPTO on Mar. 5, 2014 for related U.S. Appl. No. 14/198,315, 111 pgs.

European Patent Office, Brief Communication received from the EPO dated May 8, 2014 for related appln. No. 02800982.7, 2 pgs.

Peregrine Semiconductor Corporation, Reply filed in the EPO dated May 8, 2014 for related appln. No. 02800982.7, 79 pgs.

Tat, Binh C., Office Action received from the USPTO dated May 23, 2014 for related U.S. Appl. No. 13/948,094, 7 pgs.

Unterberger, Michael, Communication pursuant to Article 101(1) and Rule 81(2) to (3) EPC received from the EPO dated Mar. 3, 2014 for related appln. No. 02800982.7, 3 pgs.

Weman, Eva, Provision of the minutes in accordance with Rule 124(4) EPC received from the EPO dated Apr. 10, 2014 for related appln. No. 02800982.7, 3 pgs.

Tanada, Kazuya, English Translation of Office Action received from the JPO dated Mar. 11, 2014 for related appln. No. 2013-003388, 4 pgs.

Brosa, Anna-Maria, Extended Search Report received from the EPO dated May 27, 2014 for related appln. No. 14165804.7, 8 pgs.

Sjoblom, Peter, "An Adaptive Impedance Tuning CMOS Circuit for ISM 2.4-GHz Band", IEEE Transactions on Circuits and Systems—1: Regular Papers, vol. 52, No. 6, Jun. 2005, pp. 1115-1124.

Burgener, et al., "Switch Circuit and Method of Switching Radio Frequency Signals", U.S. Appl. No. 14/062,791, filed Oct. 24, 2013, 55 pgs.

Tieu, Binh Kien, Office Action received from the USPTO dated Jun. 24, 2014 for related U.S. Appl. No. 14/062,791, 7 pgs.

Peregrine Semiconductor Corporation, English translation of instructions dated Jul. 3, 2014 for a Response filed in the JPO on Jul. 9, 2014 for related appln. No. 2013-003388, 14 pgs.

Linear Systems, "High-Speed DMOS FET Analog Switches and Switch Arrays", 11 pgs.

Dehan, et al., "Partially Depleted SOI Dynamic Threshold MOSFET for low-voltage and microwave applications", 1 pg.

Le TMOS en technologie SOI, 3.7.2.2 Pompage de charges, pp. 110-111.

Schindler, et al., "DC-20 GHz N X M Passive Switches", Raytheon Co., 1998 IEEE MTT-S Digest, pp. 1001-1005.

Houng, et al., "60-70 dB Isolation 2-19 GHz Switches", Raytheon Electromagnetic Systems Division, 1989 IEEE, GaAs IC Symposium, pp. 173-176.

Schindler, et al., "A High Power 2-18 GHz T/R Switch", 1988 IEEE, IEEE 1990 Microwave and Millimeter-Wave Circuits Symposium, pp. 119-122.

Schindler, et al., "A 2-18 GHz Non-Blocking Active 2 X 2 Switch", Raytheon Company, 1989 IEEE, GaAs IC Symposium, pp. 181-183.

Schindler, et al., "A Single Chip 2-20 GHz T/R Module" 1988 IEEE, IEEE 1990 Microwave and Millimeter-Wave Monolithic Circuits Symposium, pp. 99-102.

McGrath, et al., "Novel High Performance SPDT Power Switches using Multi-Gate FETs", 1991 IEEE, 1991 IEEE MTT-S Digest, pp. 839-842.

Schindler, et al., "DC-20 GHz N X M Passive Switches", IEEE Transactions on Microwave Theory and Techniques, vol. 36, No. 12, Dec. 1988, pp. 1604-1613.

Bernkopf, et al., "A High Power K/Ka-Band Monolithic T/R Switch", 1991 IEEE, IEEE 1991 Microwave and Millimeter-Wave Monolithic Circuits Symposium, pp. 15-18.

Schindler, et al., "DC-40 GHz and 20-40 GHz MMIC SPDT Switches", IEEE Transactions of Electron Devices, vol. ED-34, No. 12, Dec. 1987, pp. 2595-2602.

Devlin, "The Design of Integrated Switches and Phase Shifters", 1999, 15 pgs.

Unterberger, Michael, Communication Pursuant to Article 94(3) EPC received from the EPO dated Apr. 9, 2014 for appln. No. 10011669.8, 5 pgs.

Nguyen, Niki Hoang, Notice of Allowance received from the USPTO dated Aug. 20, 2014 for related U.S. Appl. No. 14/198,315, 11 pgs.

European Patent Office, Brief Communication received from the EPO dated Aug. 14, 2014 for appln. No. 02800982.7, 2 pgs.

Brindle, et al., Amendment filed in the USPTO dated Oct. 2, 2014 for U.S. Appl. No. 13/850,251, 13 pgs.

Peregrine Semiconductor Corporation, Response filed in the EPO dated Oct. 14, 2014 for appln. No. 10011669.8, 30 pgs.

Stuber, et al., Response/Amendment filed in the USPTO dated Oct. 23, 2014 for U.S. Appl. No. 13/948,094, 28 pgs.

European Patent Office, Brief Communications received from the EPO dated Oct. 24, 2014 for appln. No. 02800982.7, 2 pgs.

Burgener, et al., Response filed in the USPTO dated Nov. 24, 2014 for U.S. Appl. No. 14/062,791, 8 pgs.

* cited by examiner

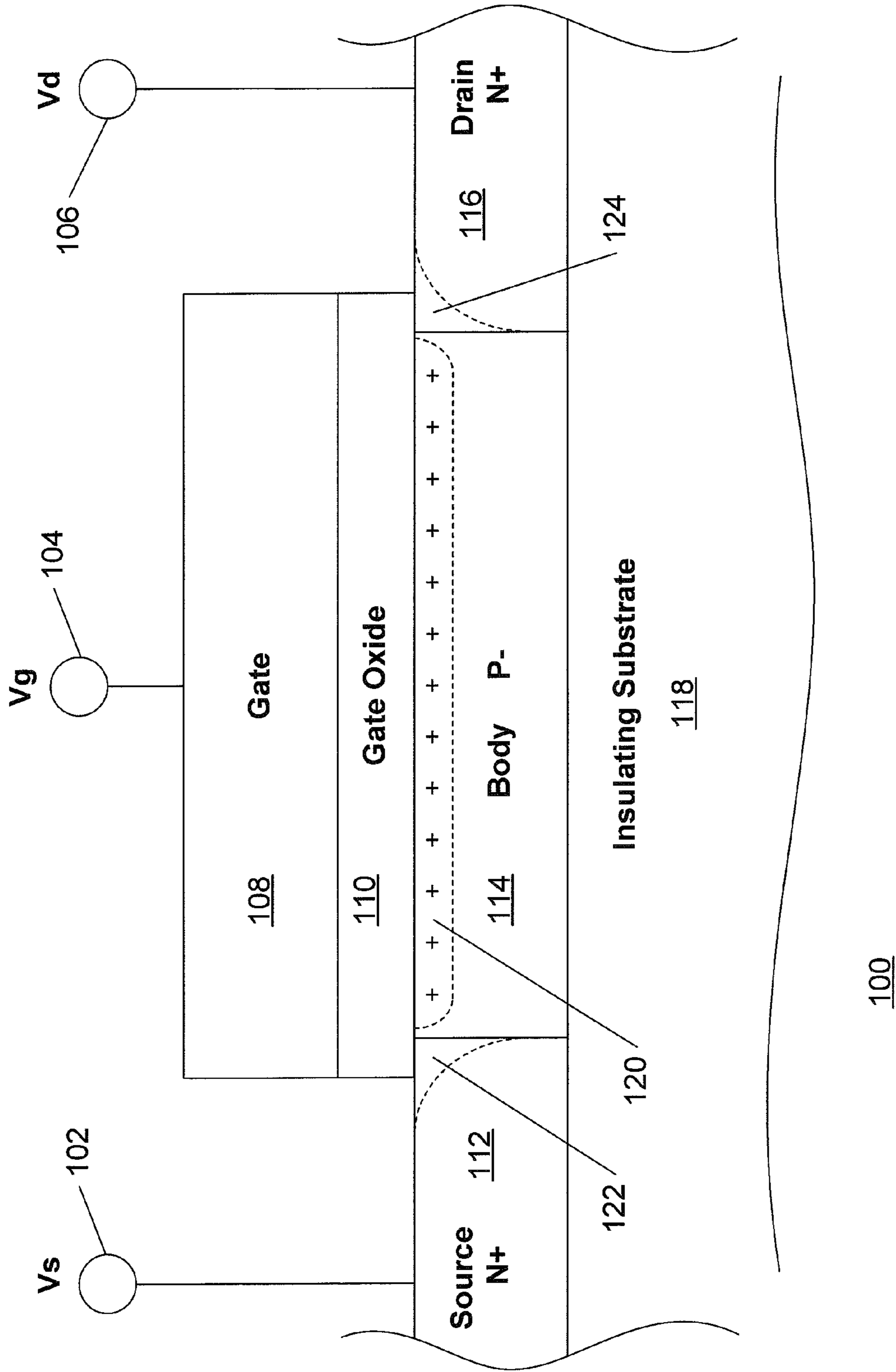
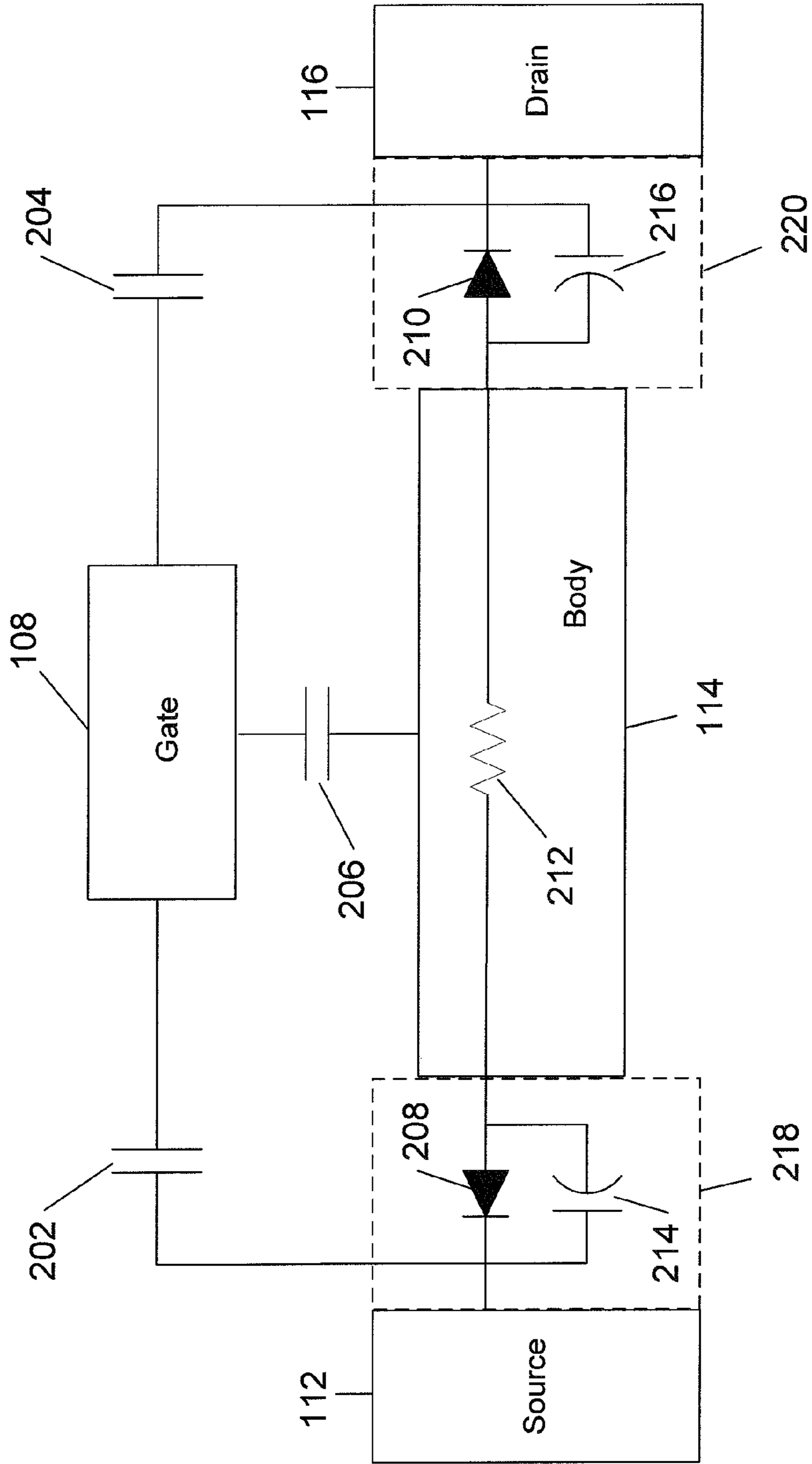


Figure 1 (Prior Art)



200

Figure 2A

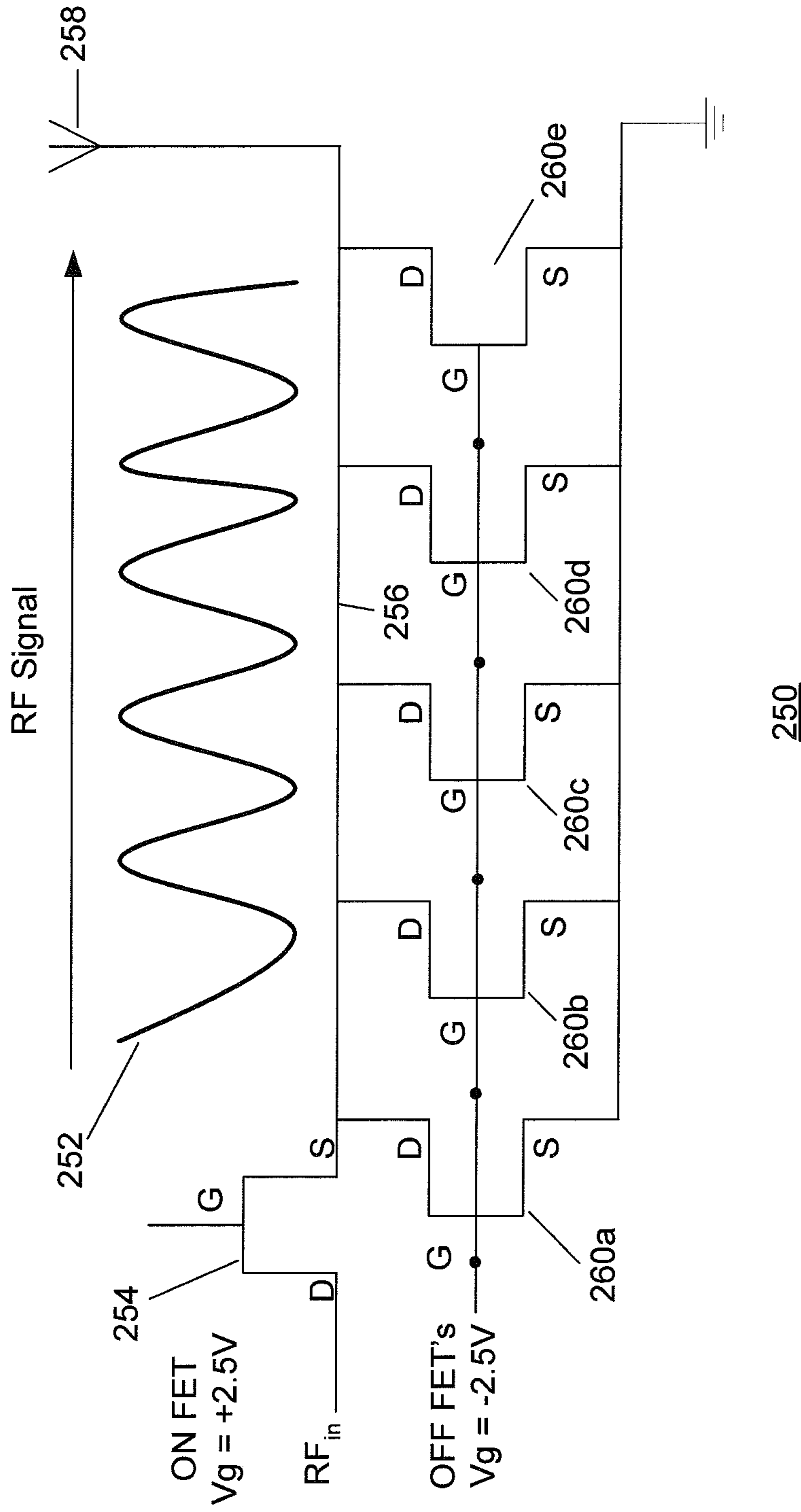


FIGURE 2B

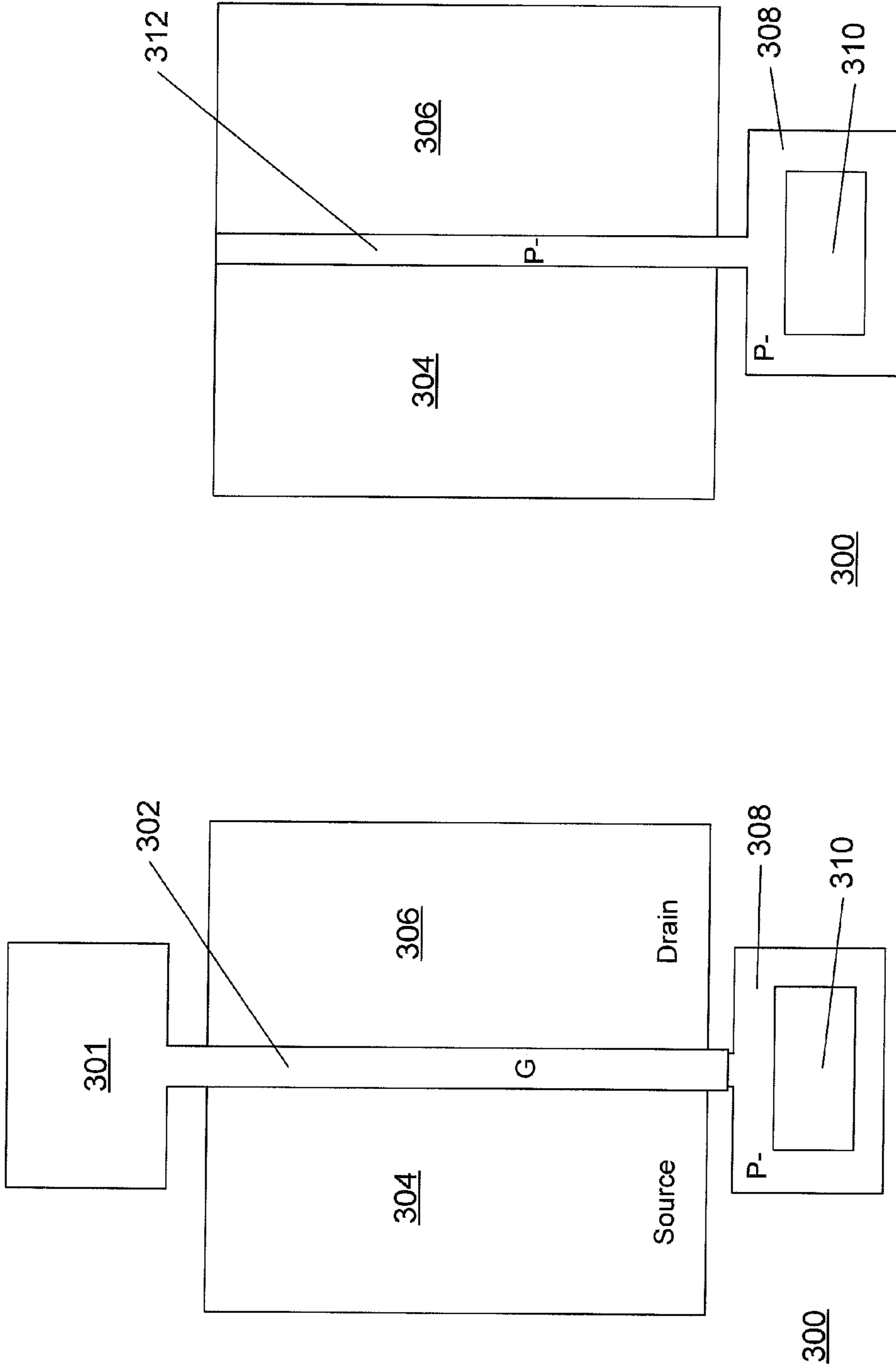


Figure 3B

Figure 3A

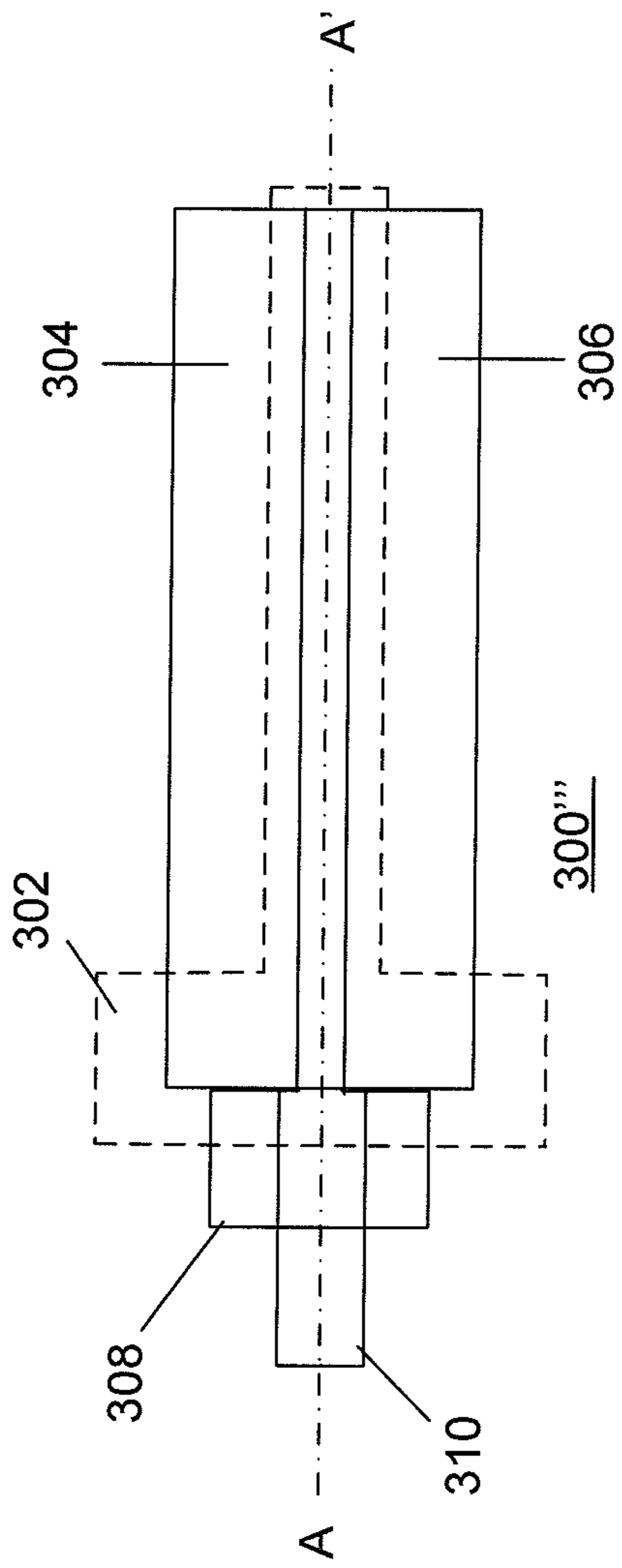


Figure 3E

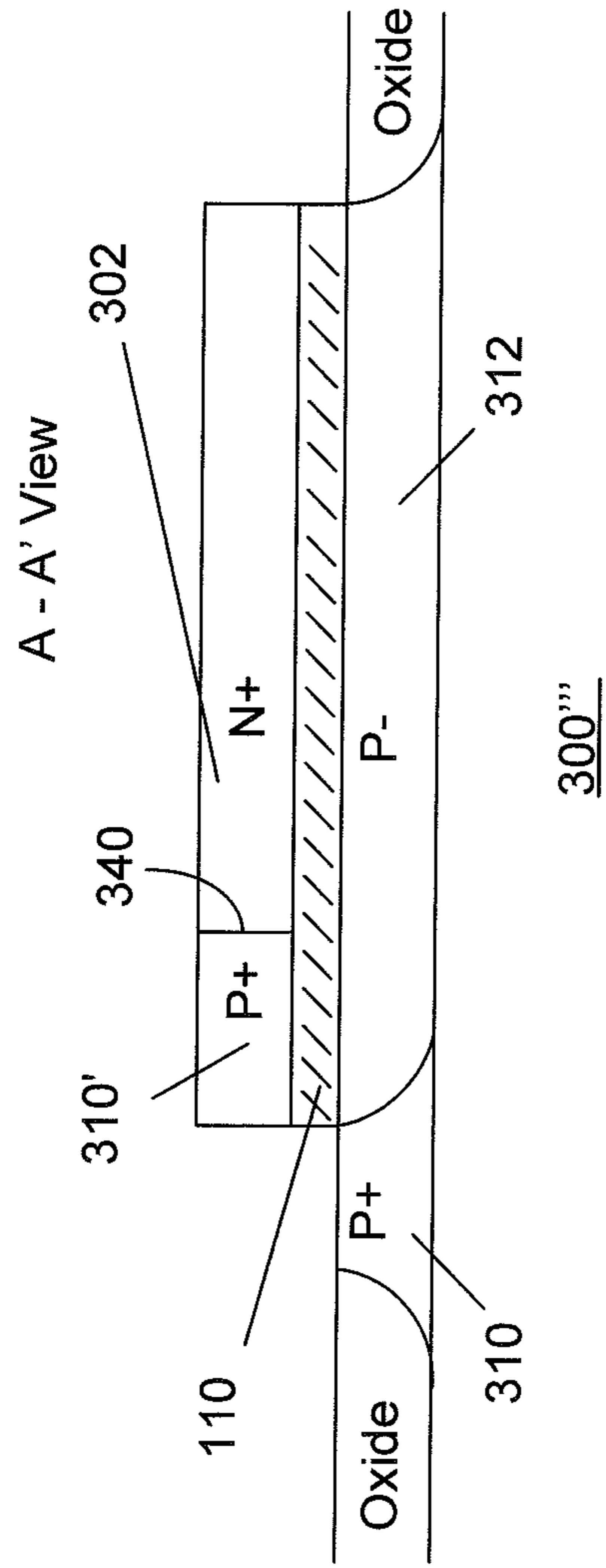


Figure 3F

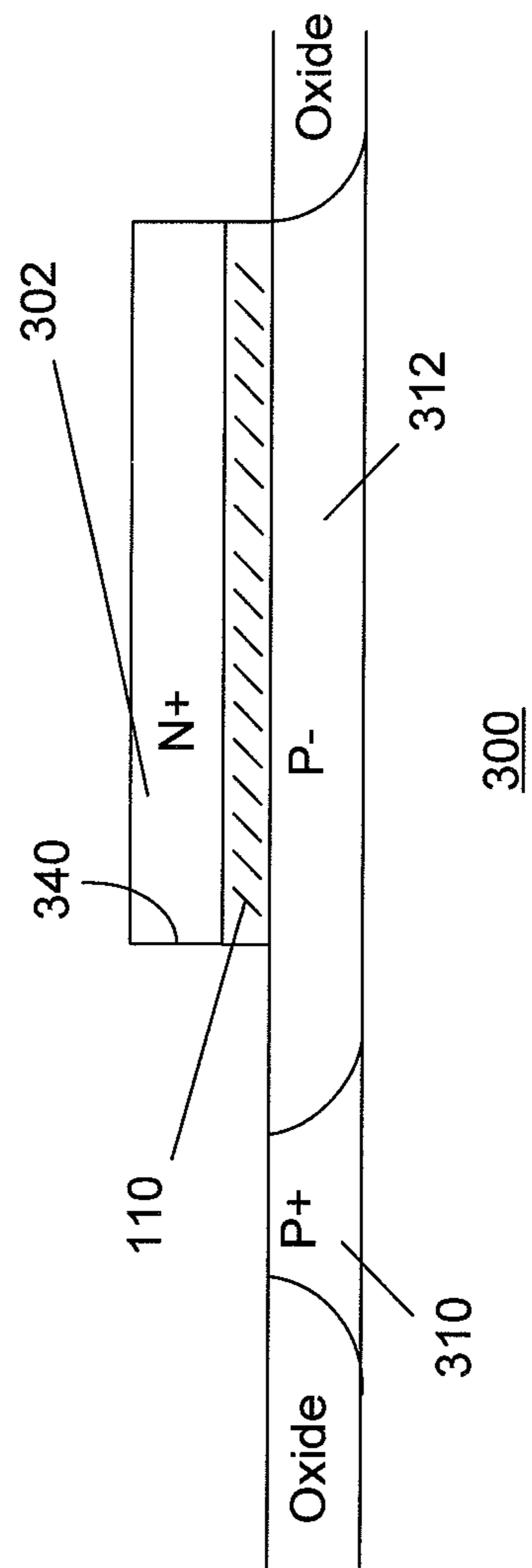


Figure 3F-1

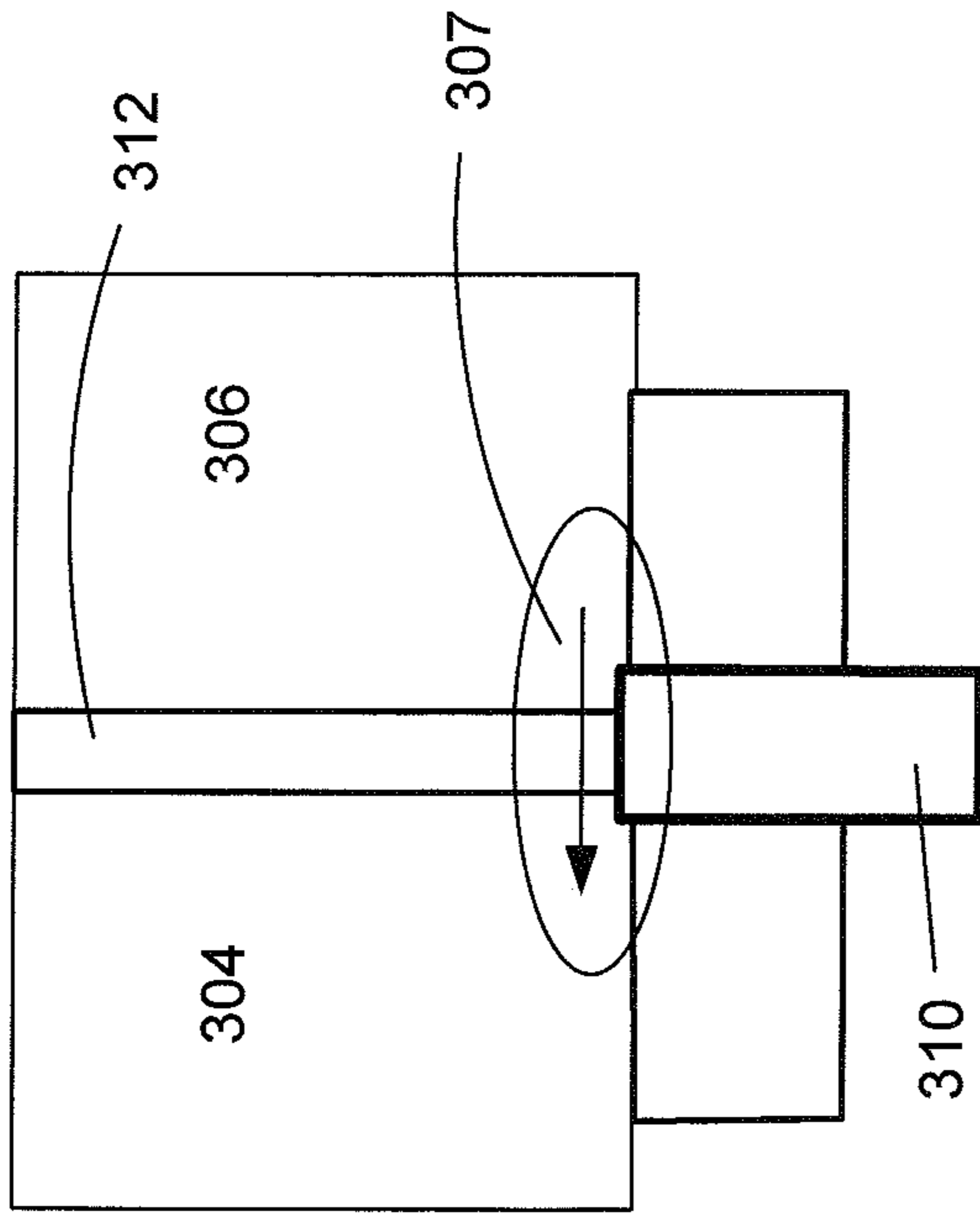
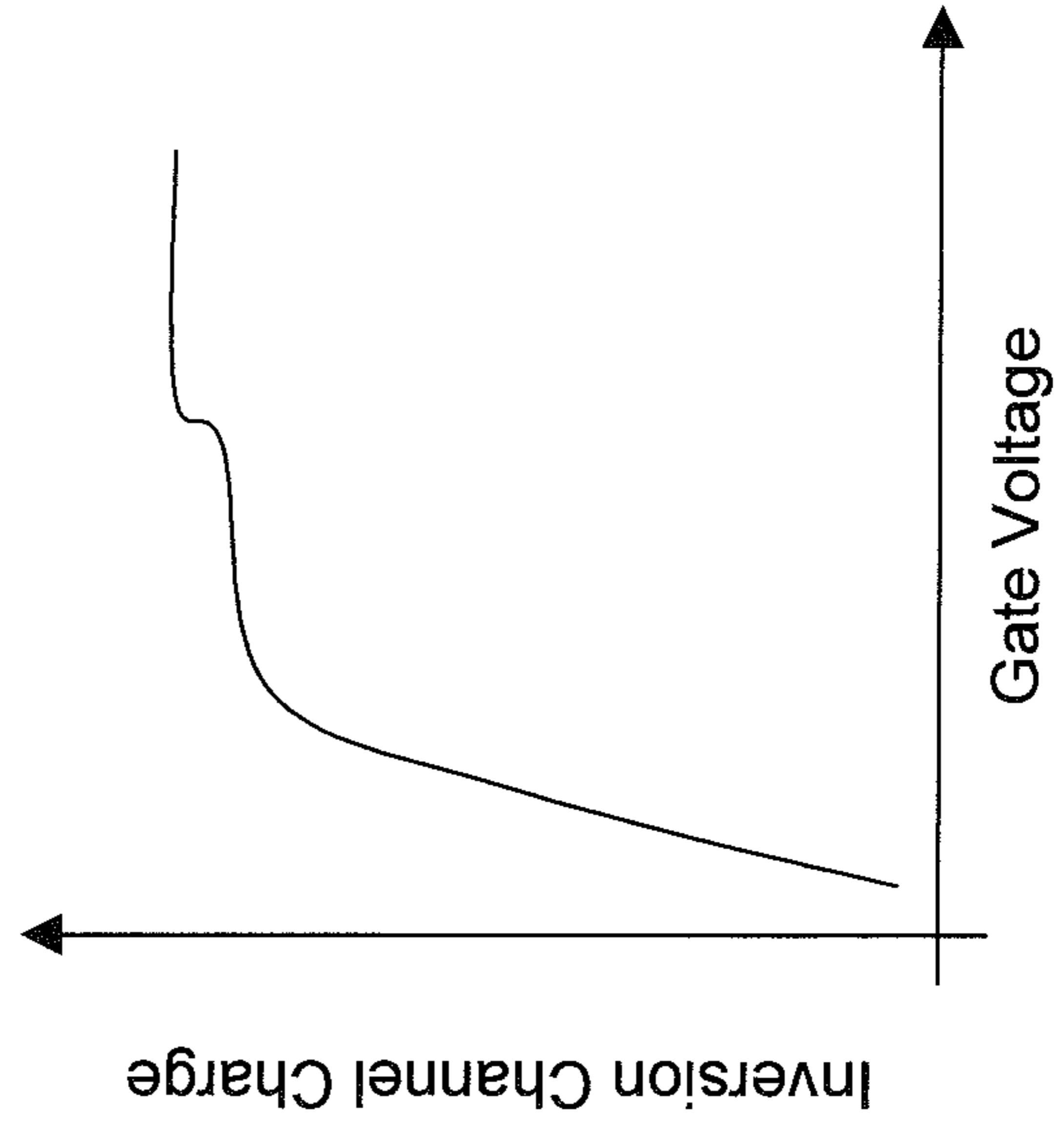


Figure 3G

Figure 3G-1



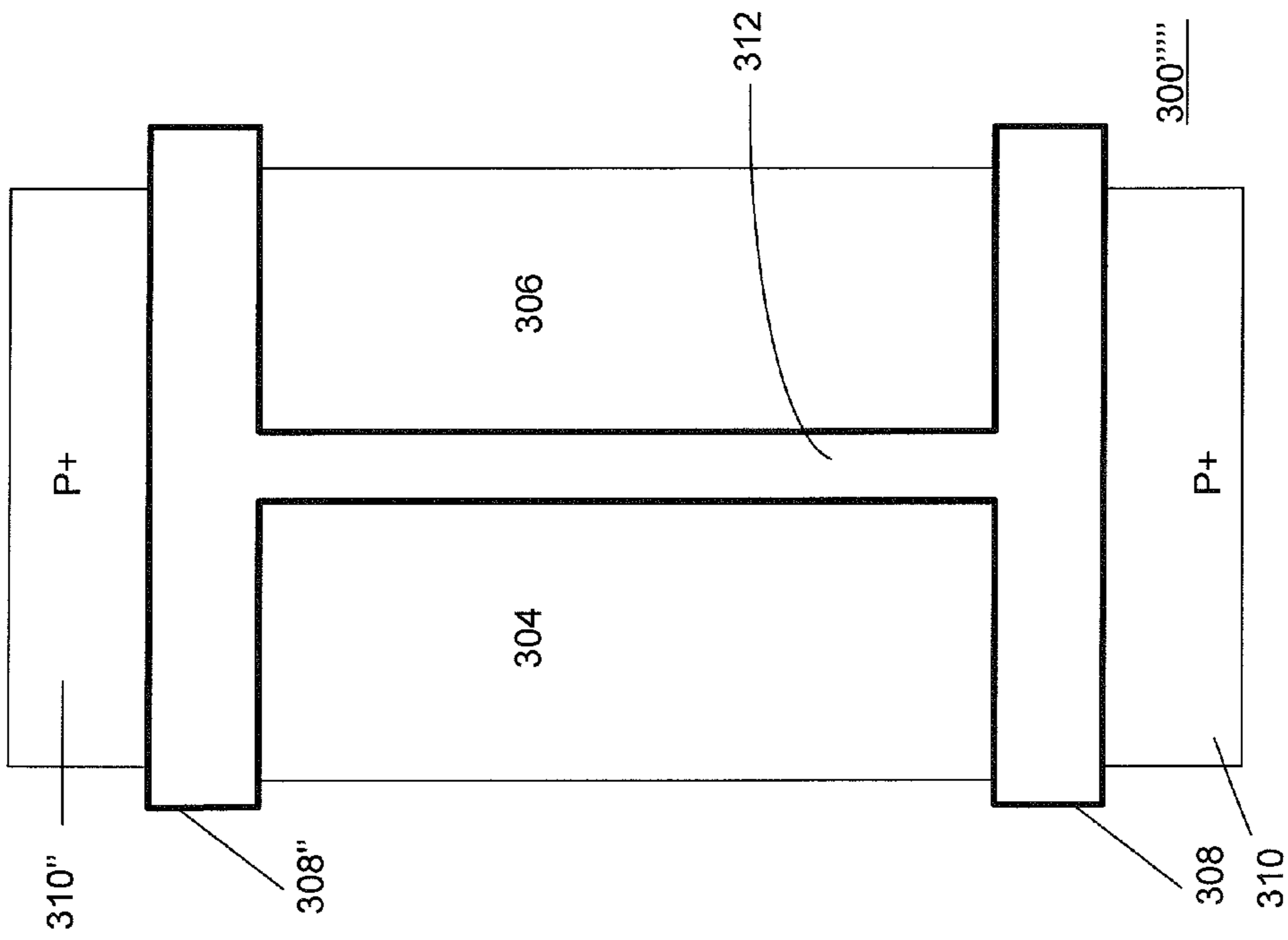


Figure 3I

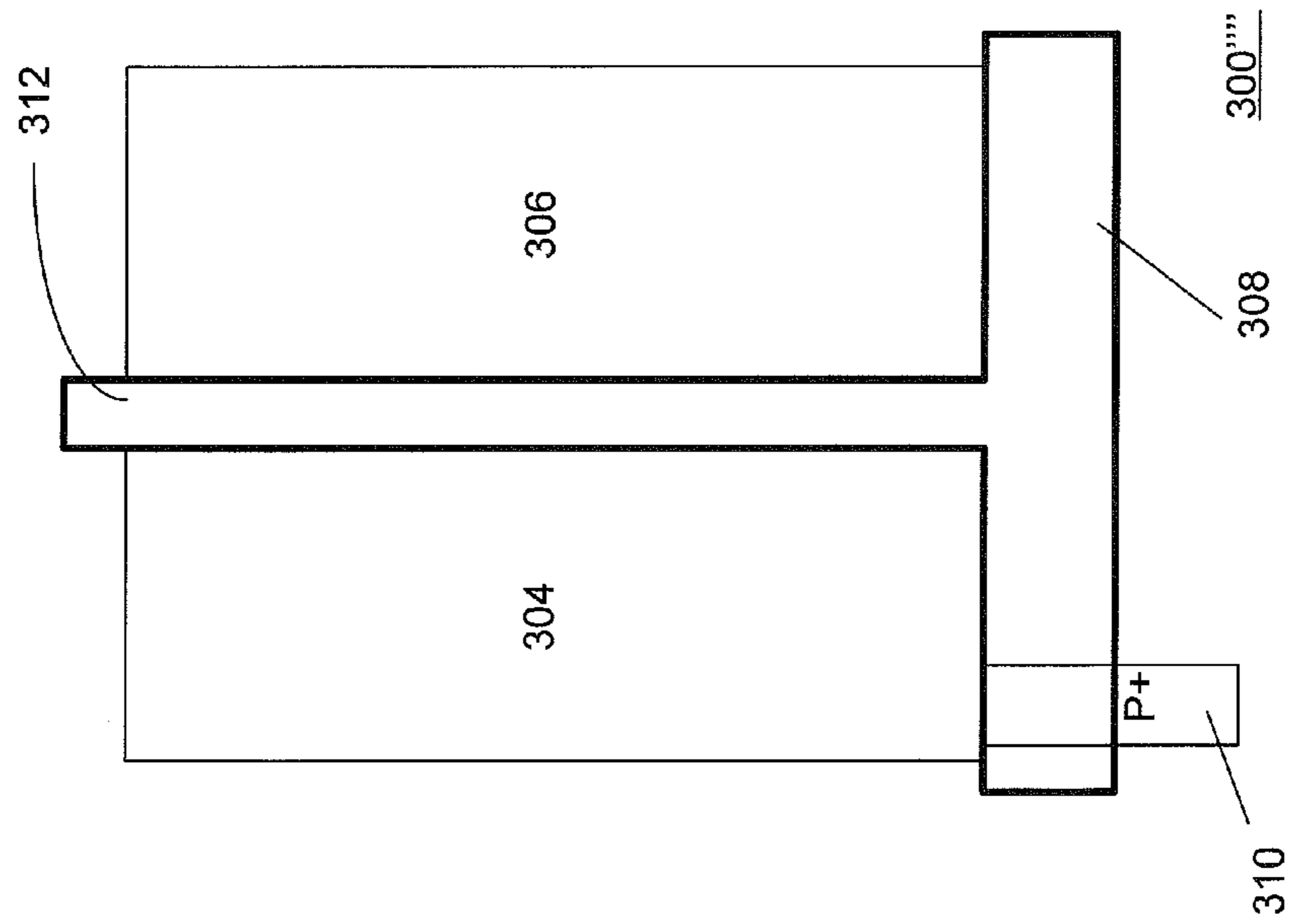


Figure 3H

Figure 4A

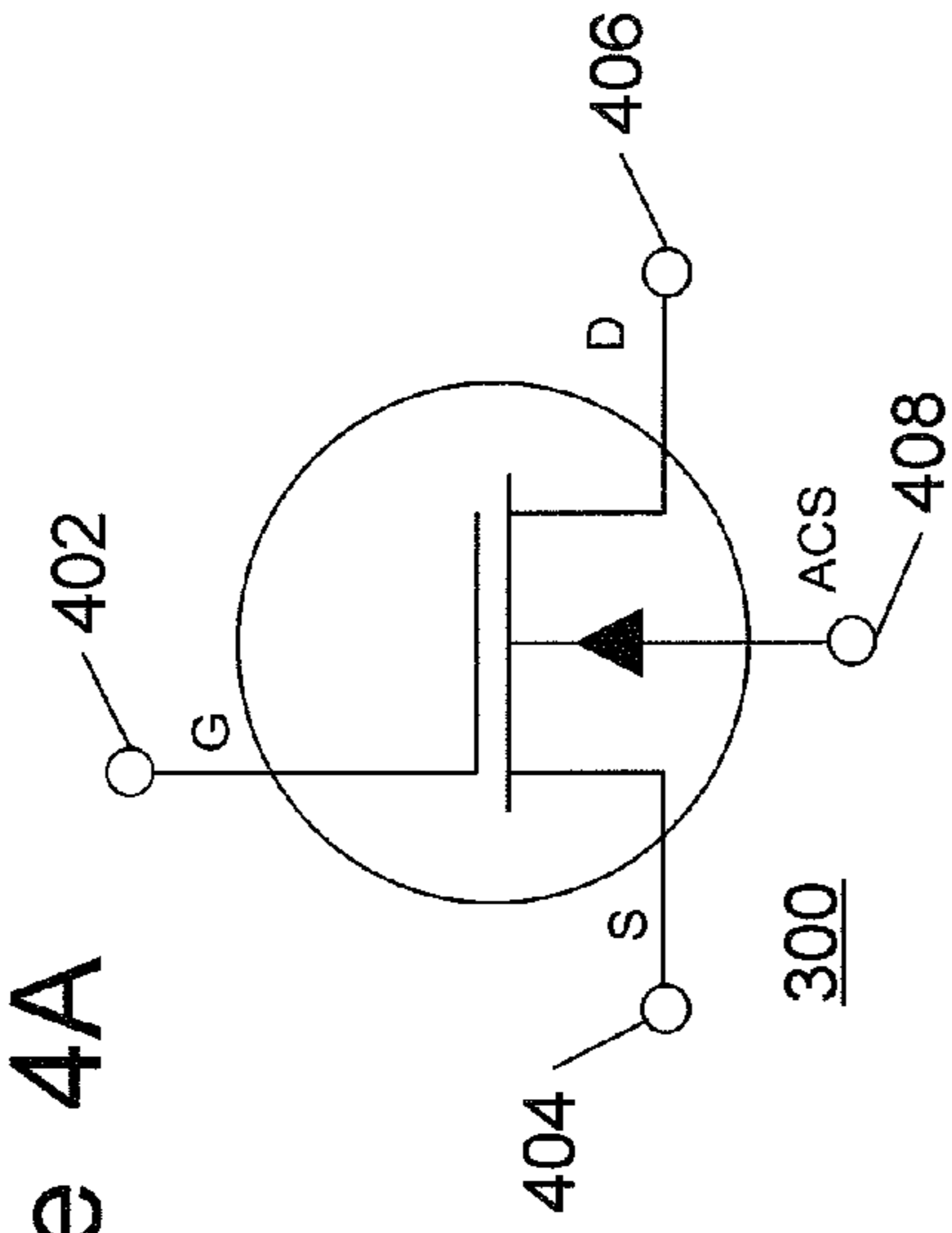


Figure 4B

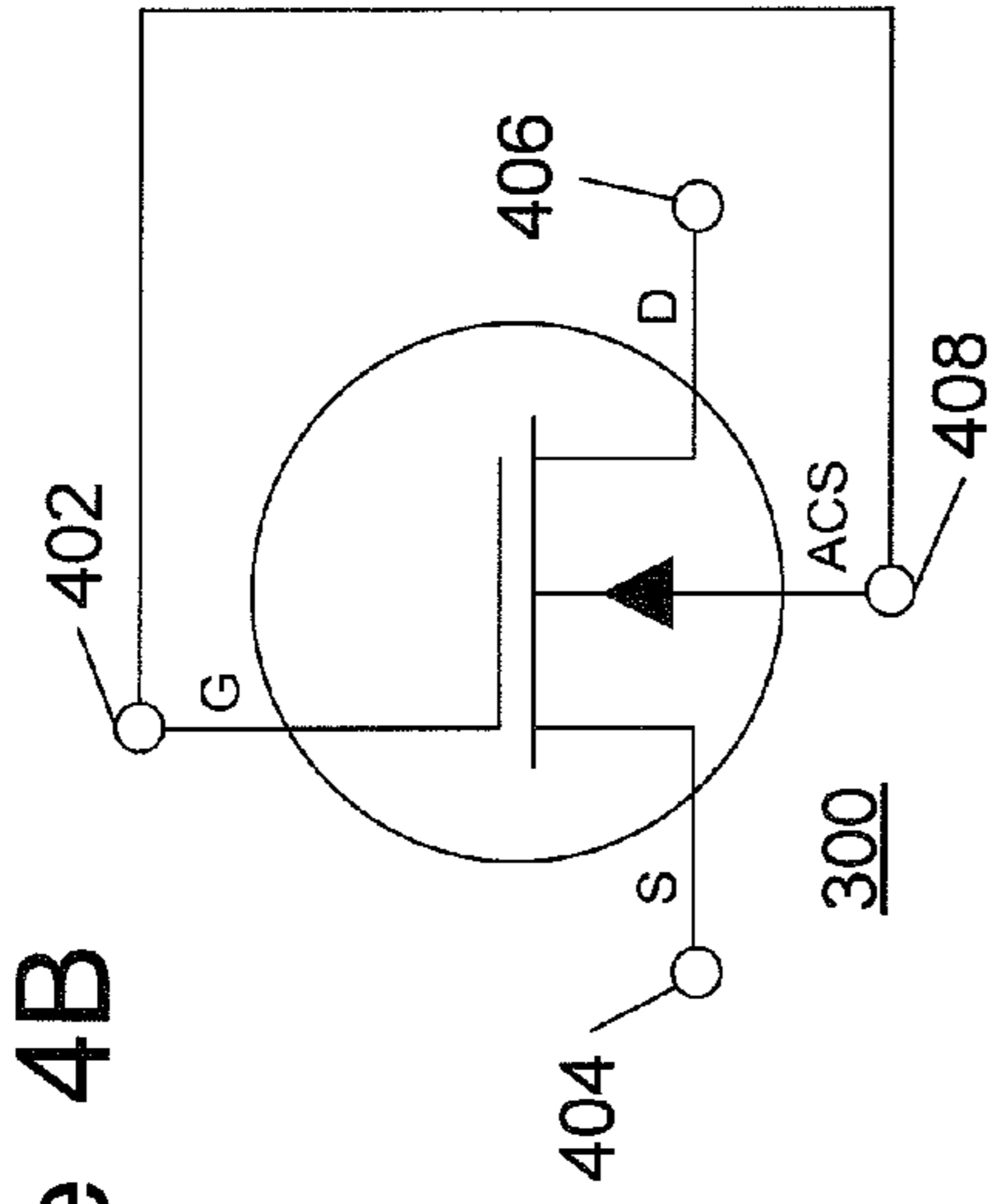


Figure 4C

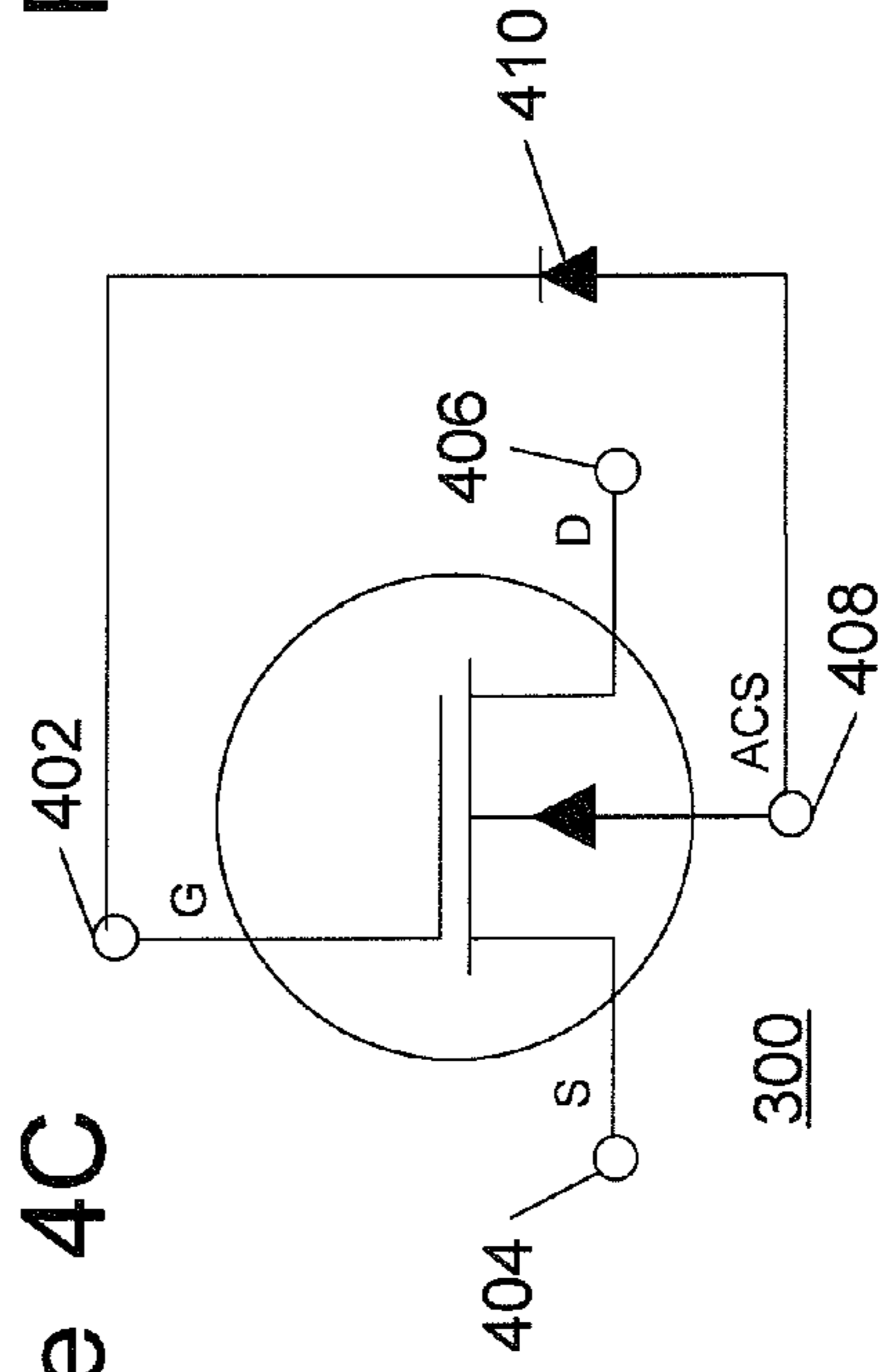
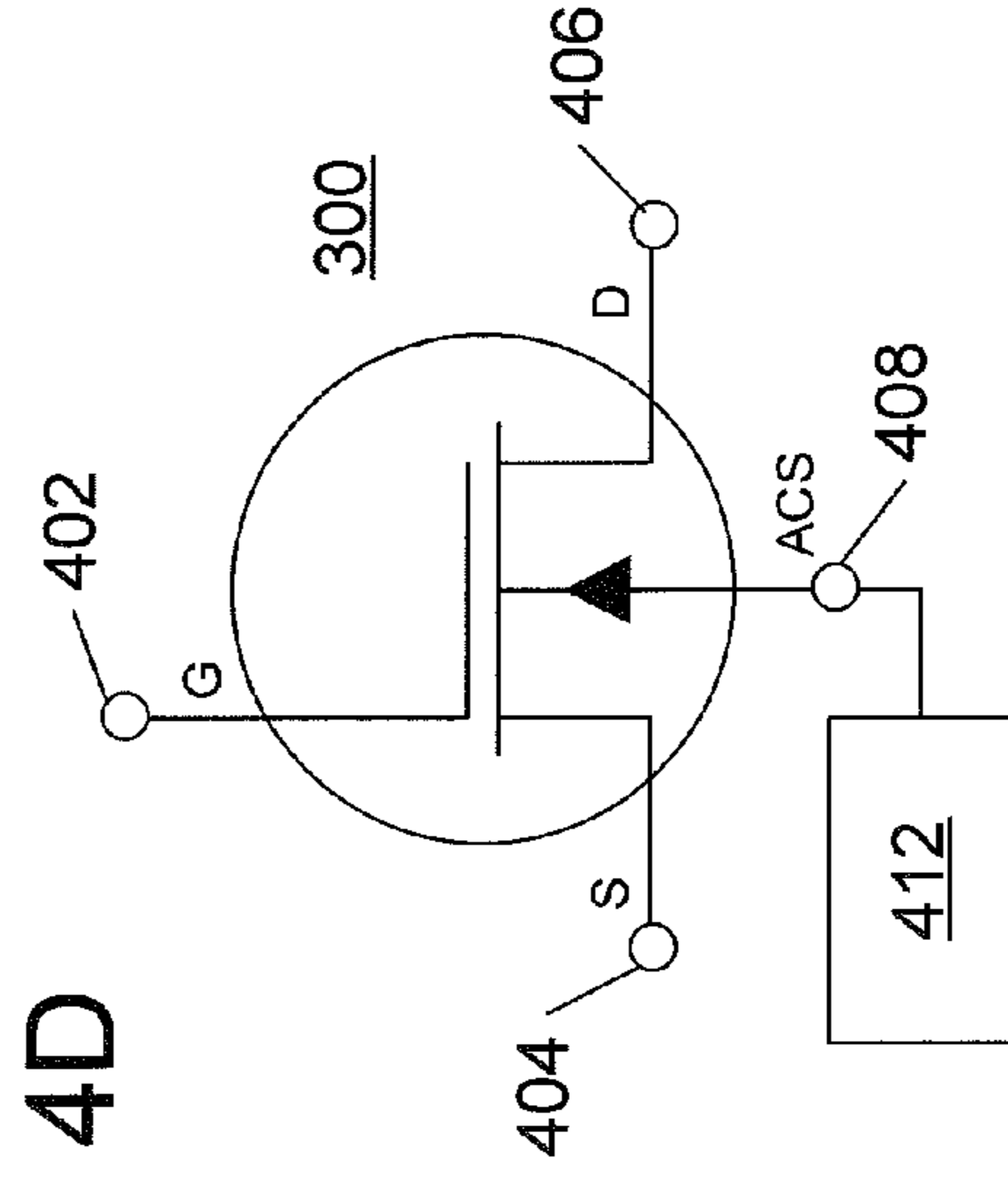


Figure 4D



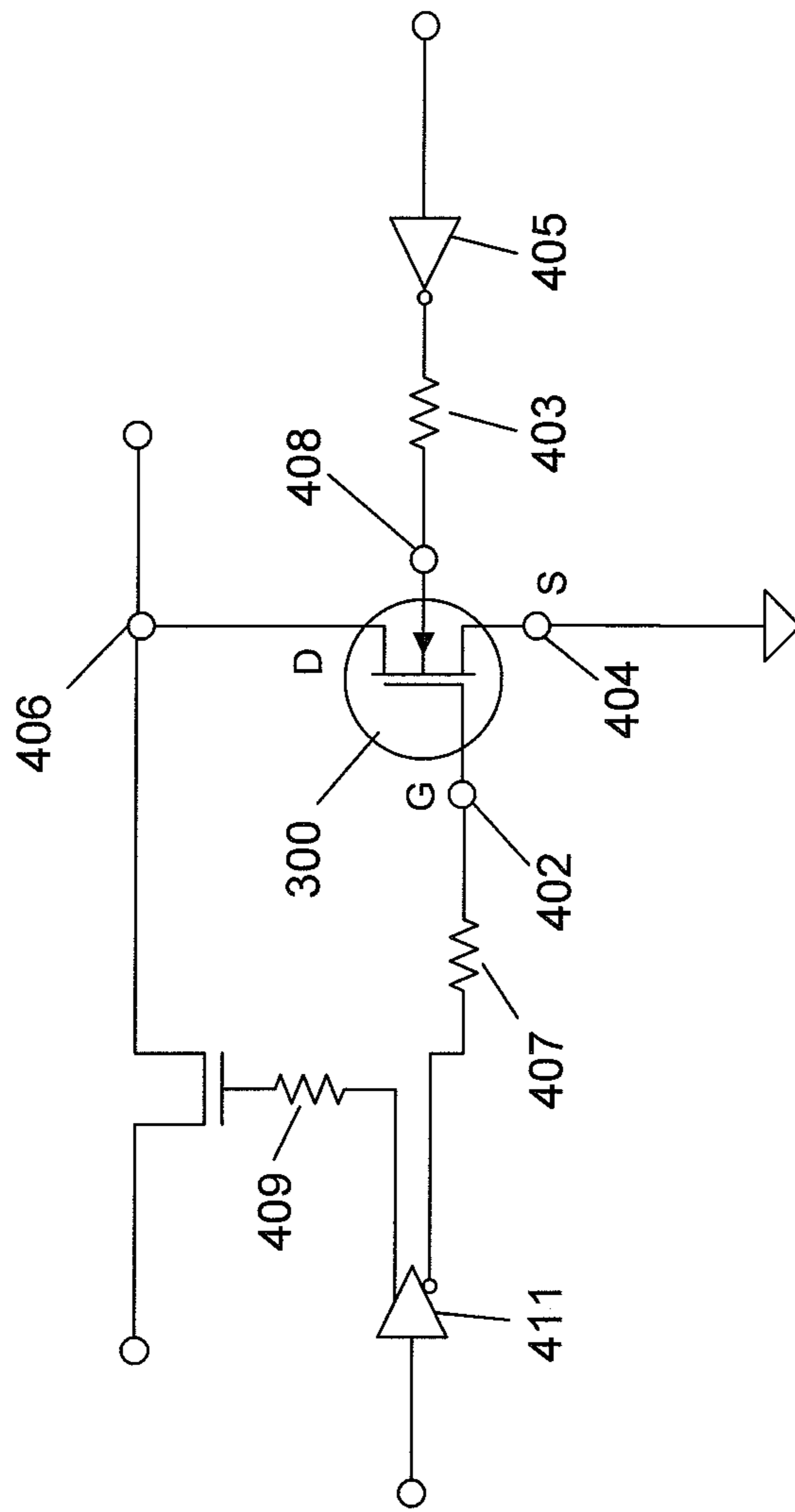


Figure 4D-1

Figure 4E

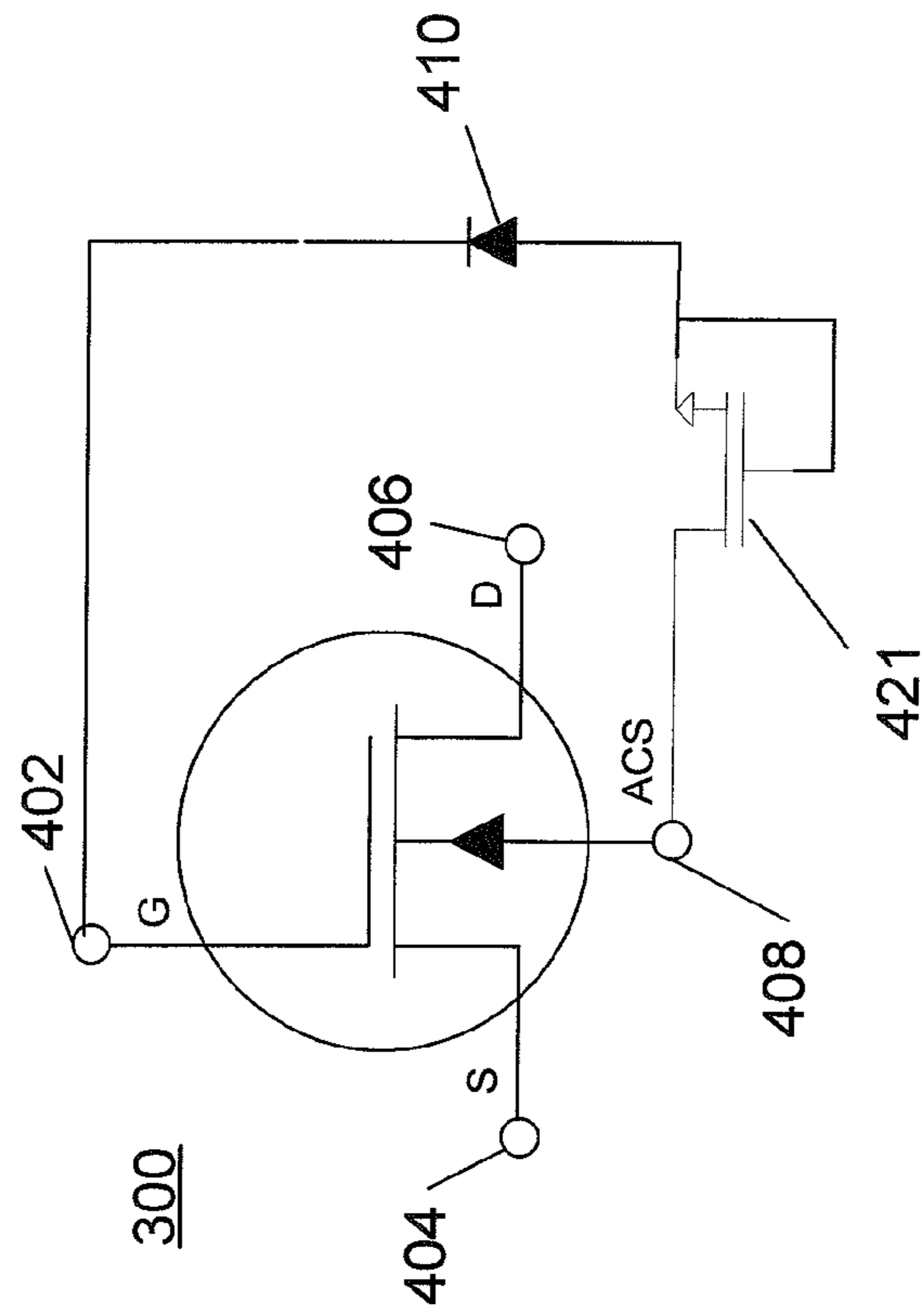
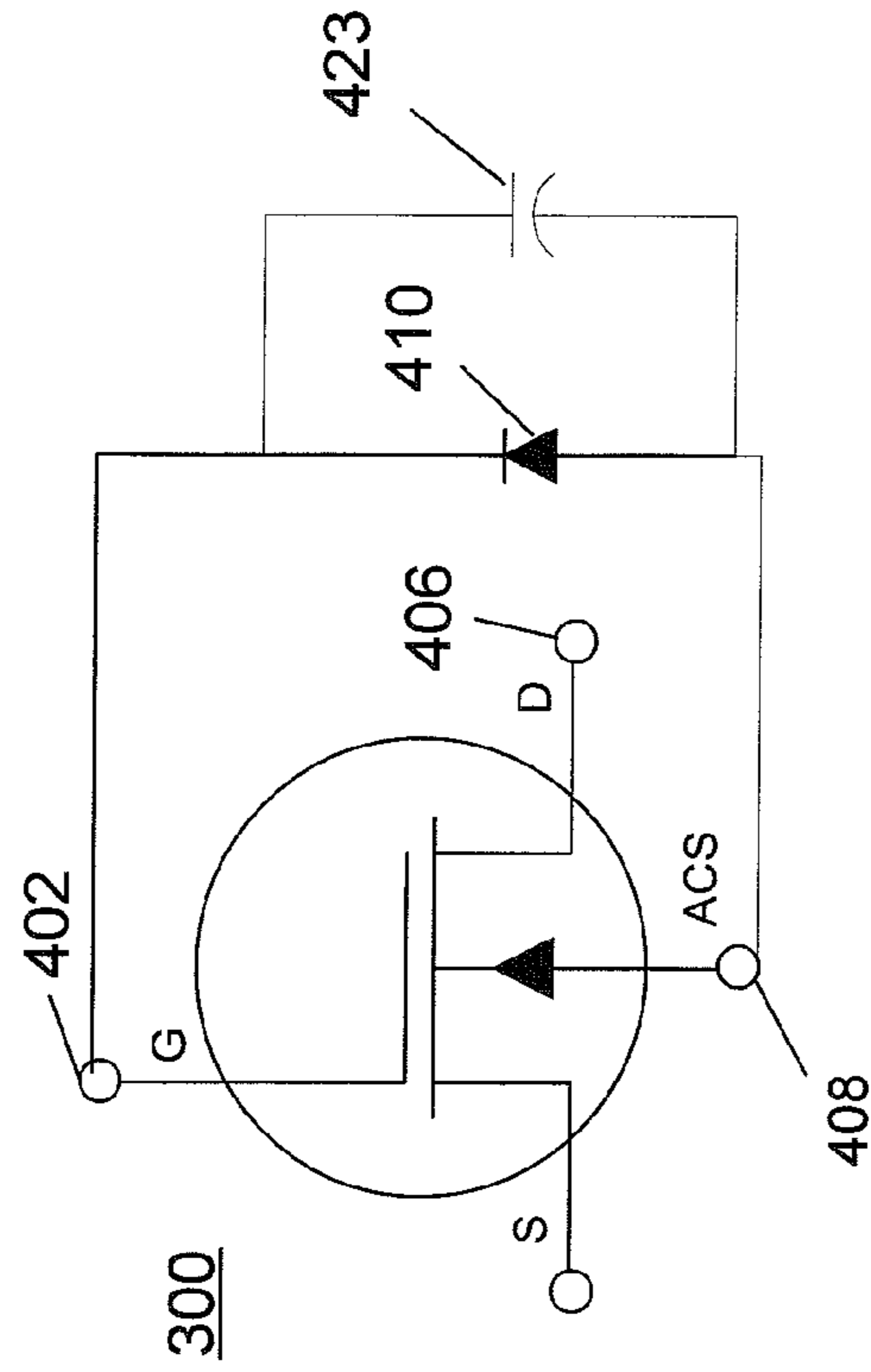


Figure 4F



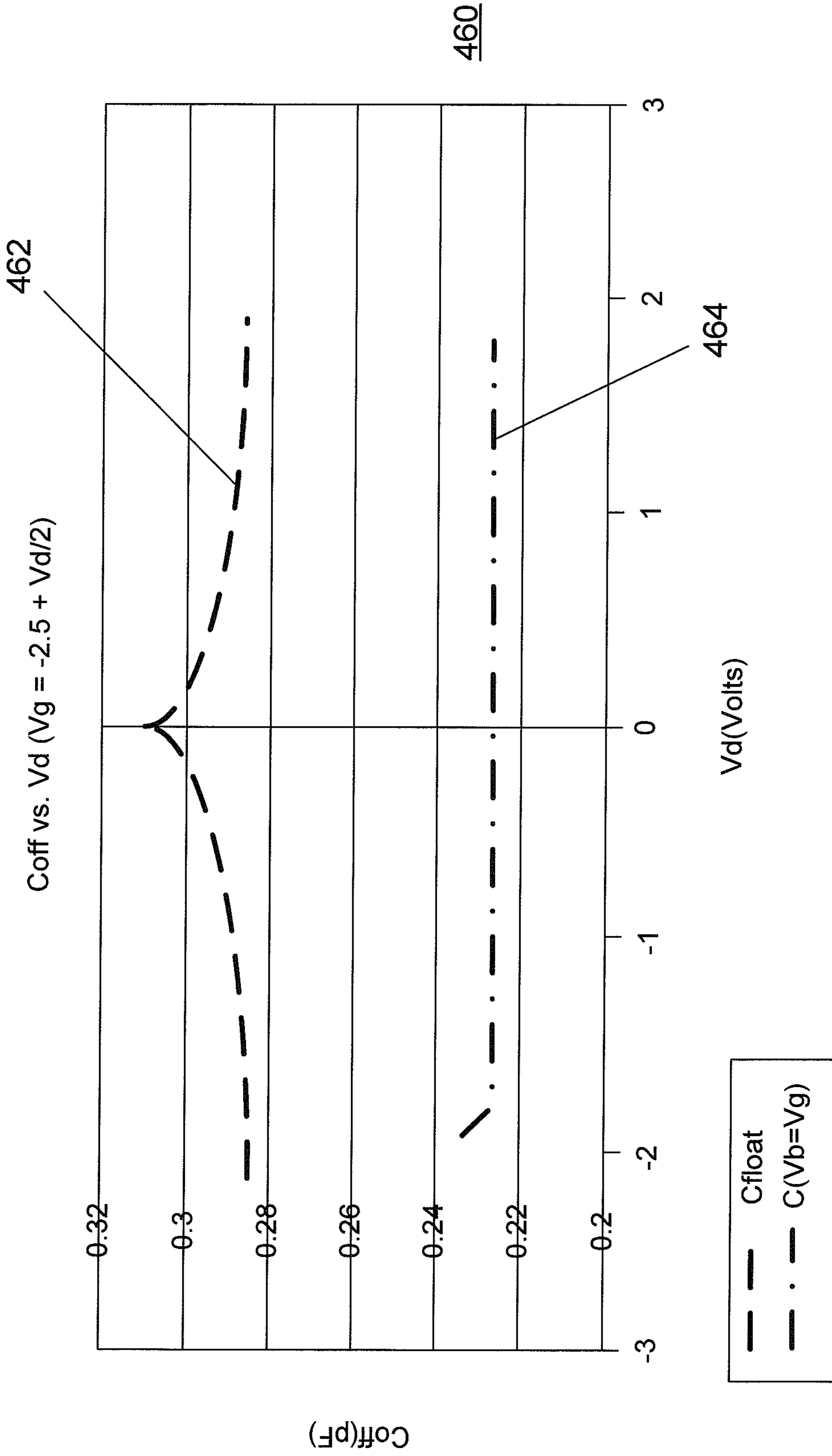


Figure 4G

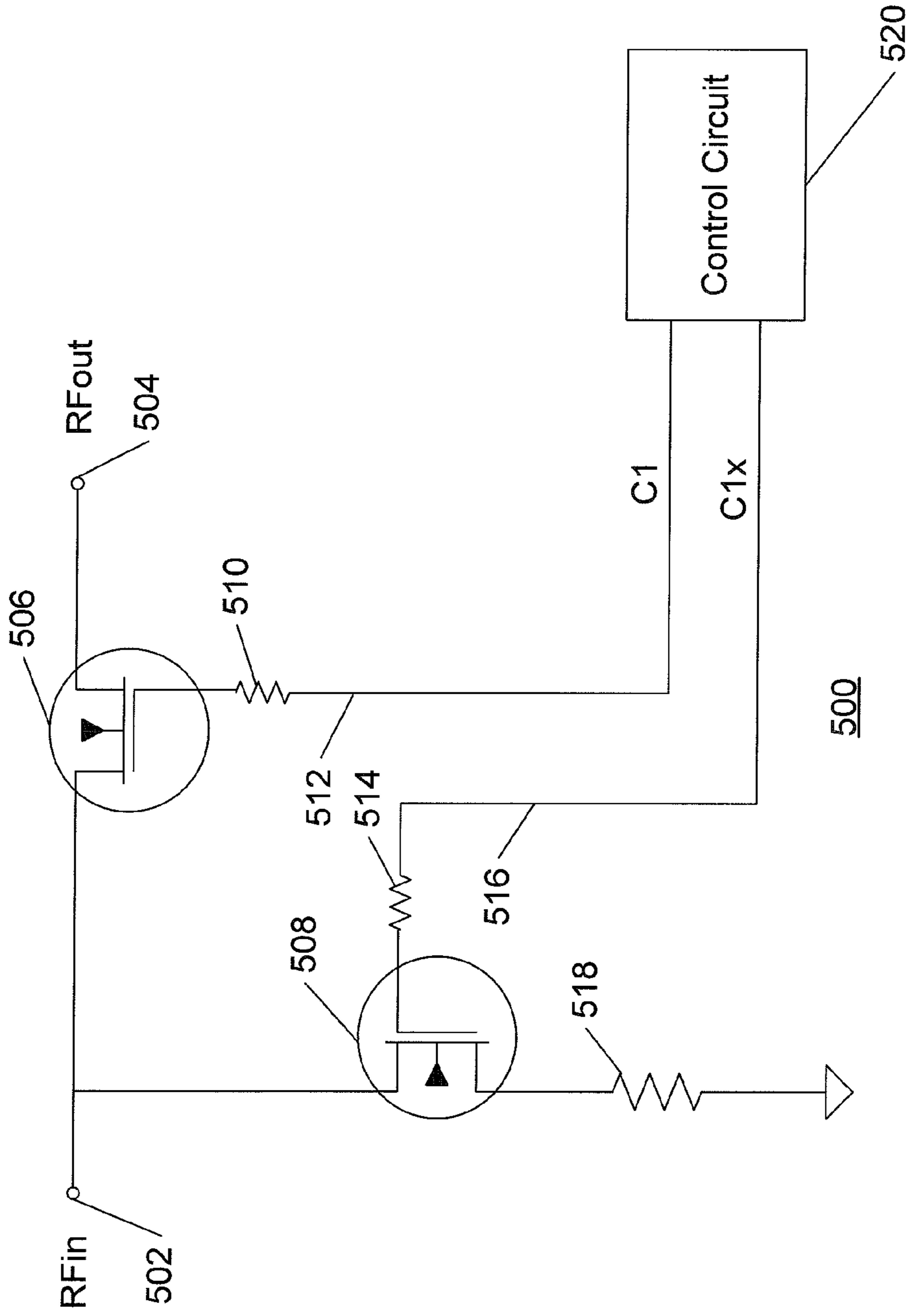


Figure 5A

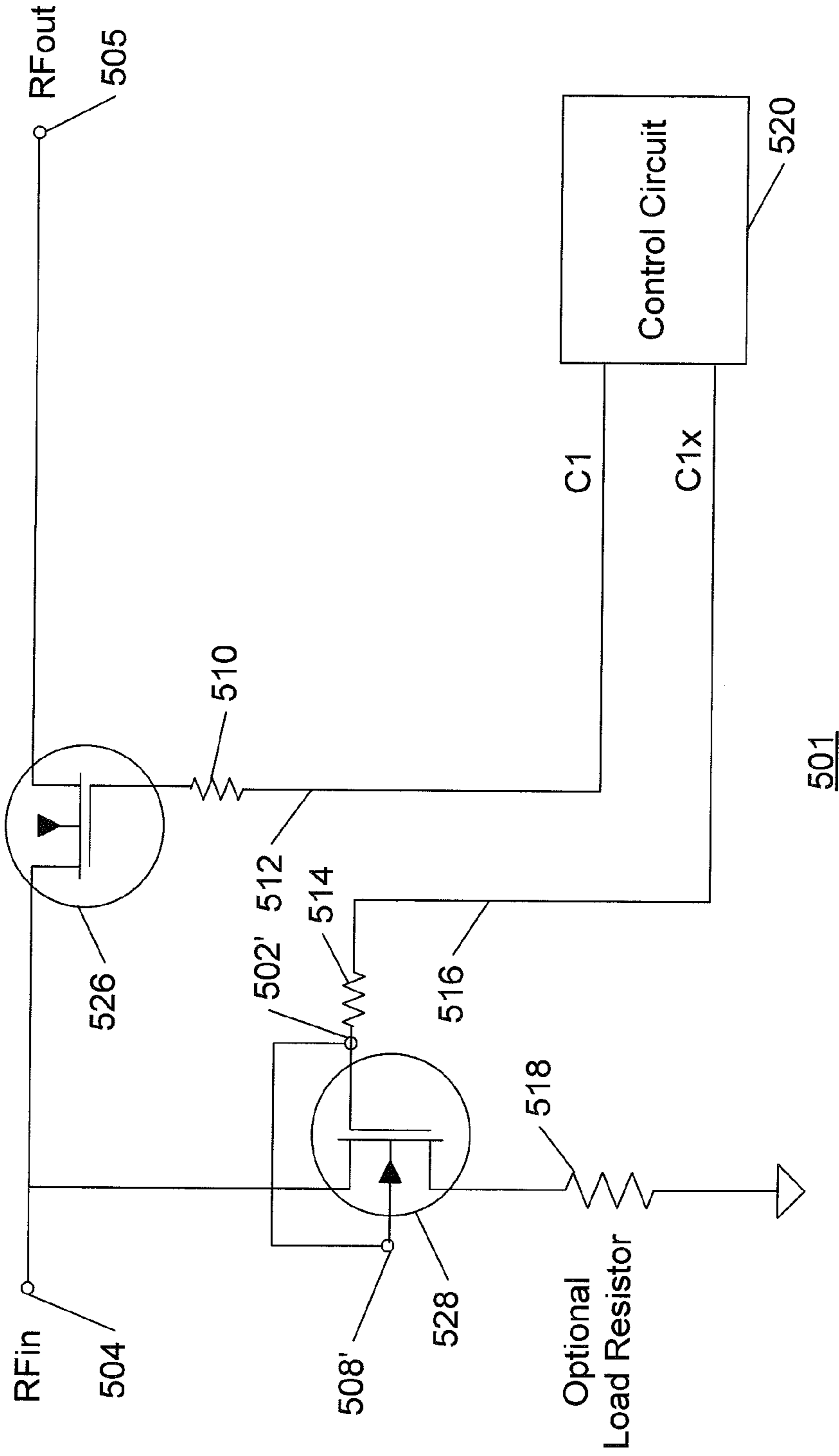
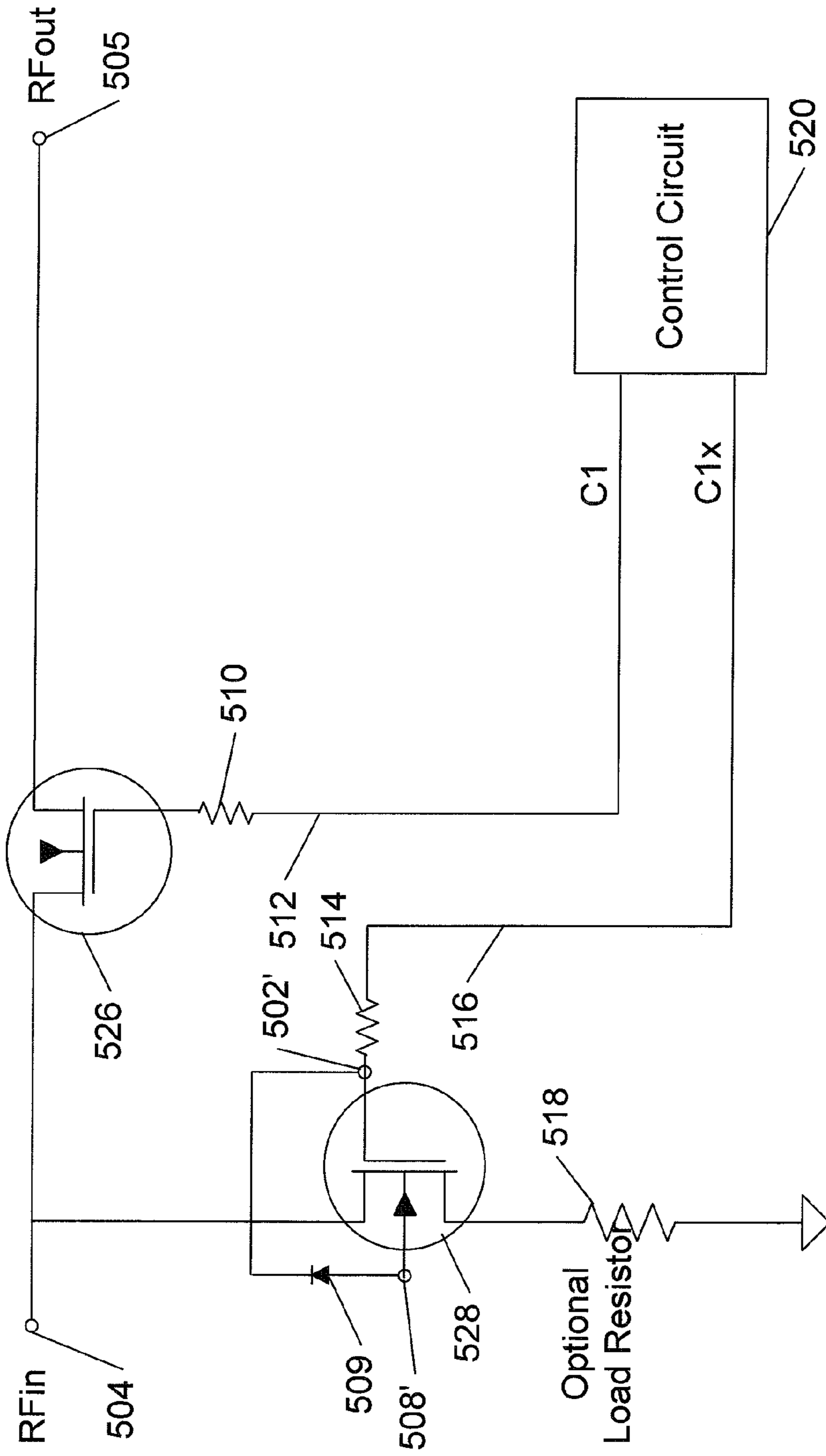


Figure 5B



502

Figure 5C

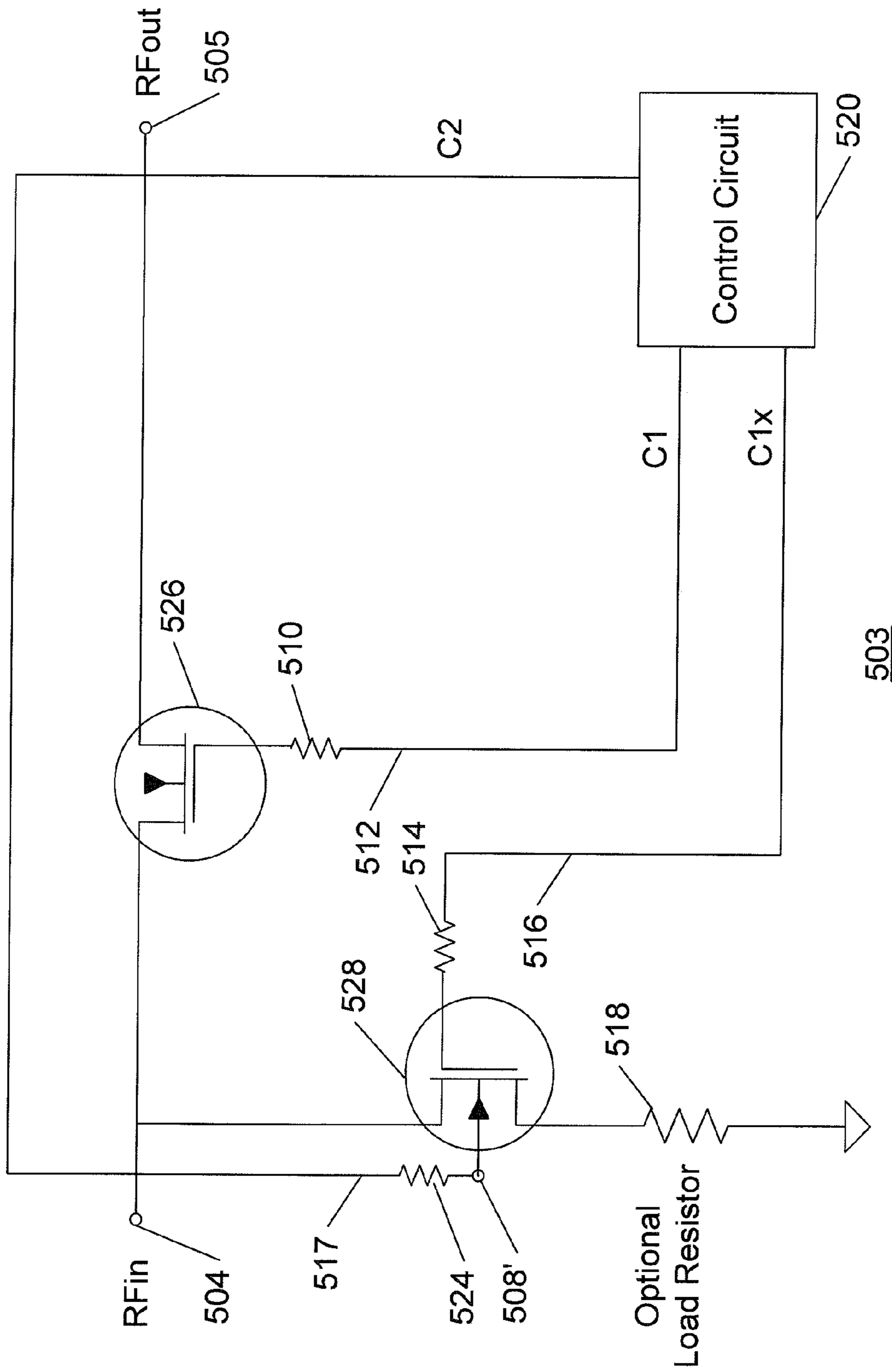


Figure 5D

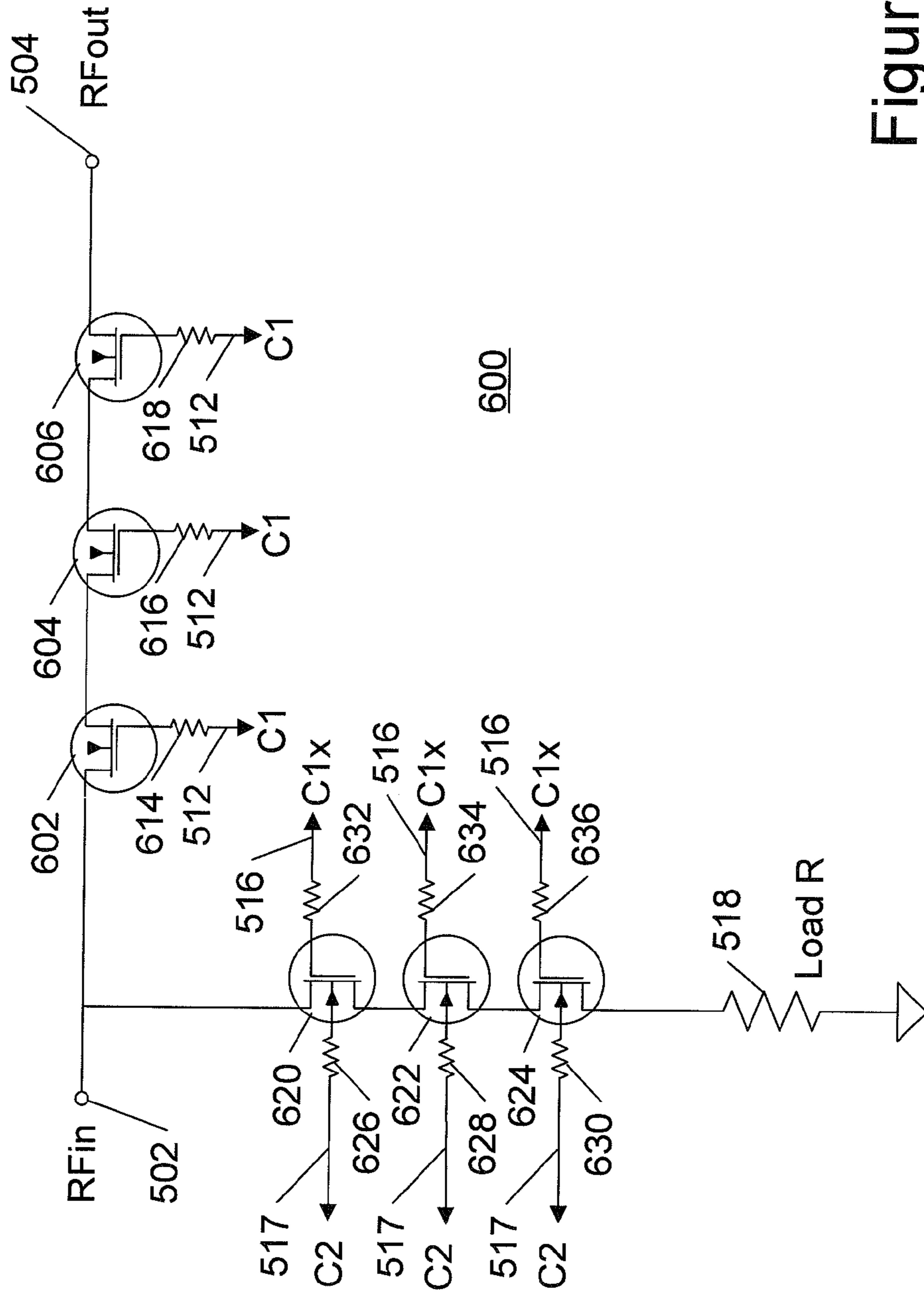


Figure 6

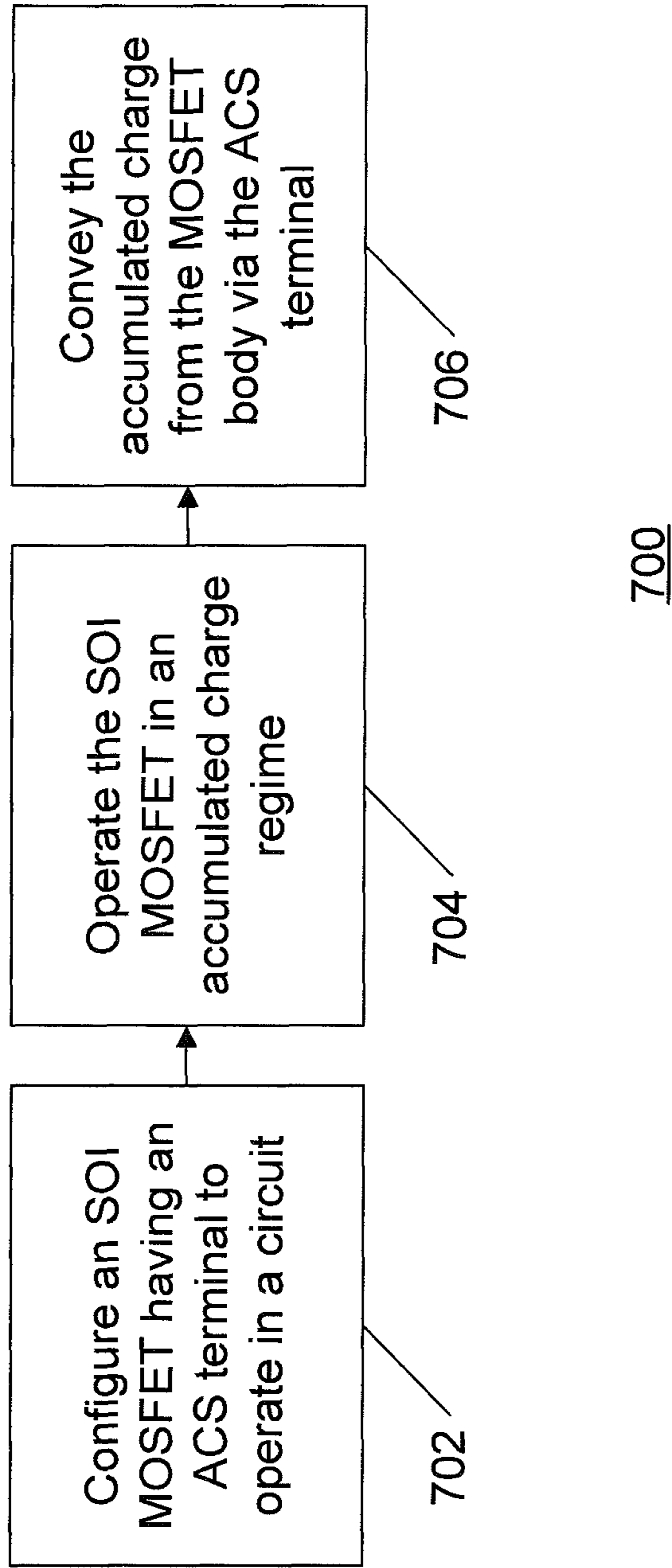


Figure 7

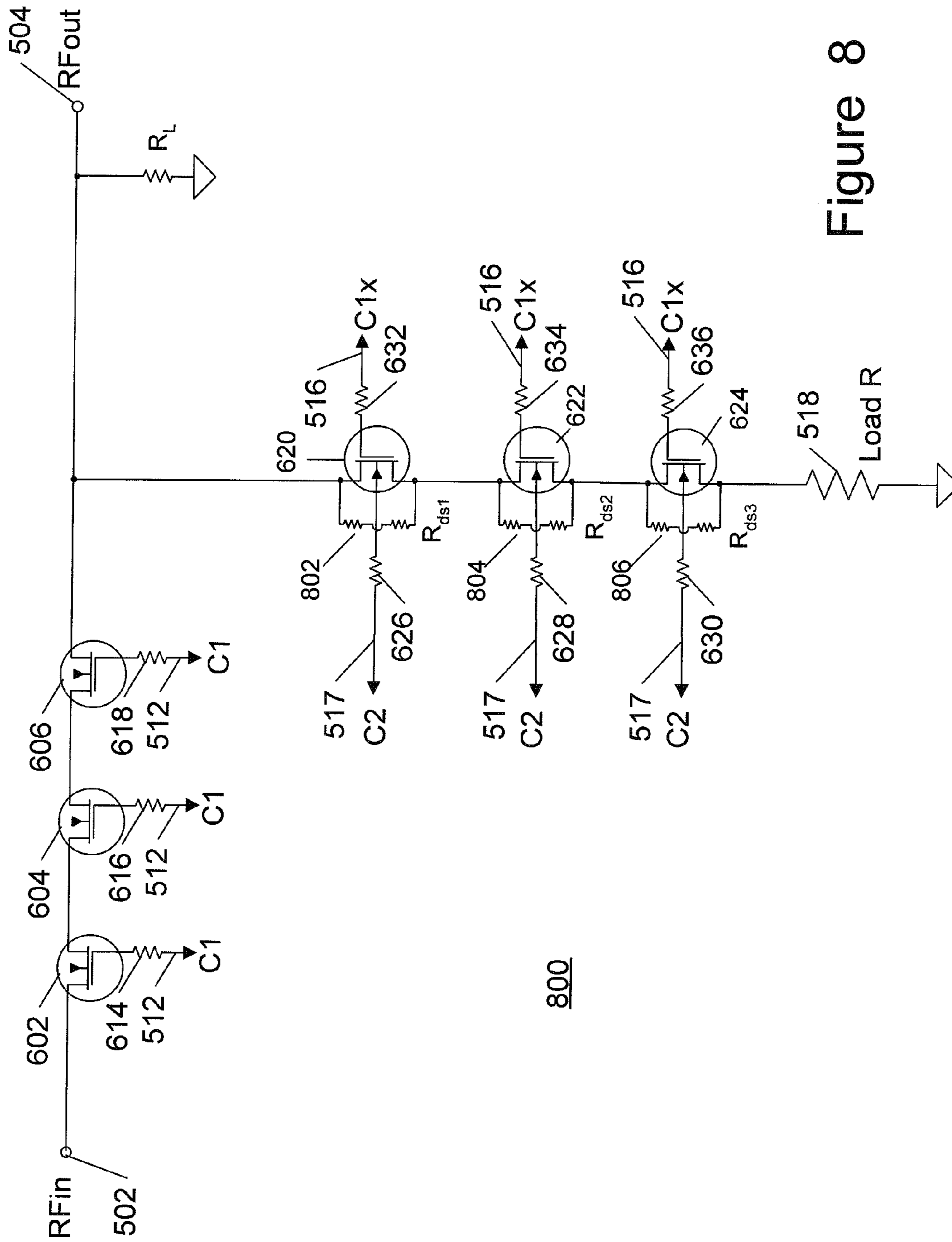


Figure 8

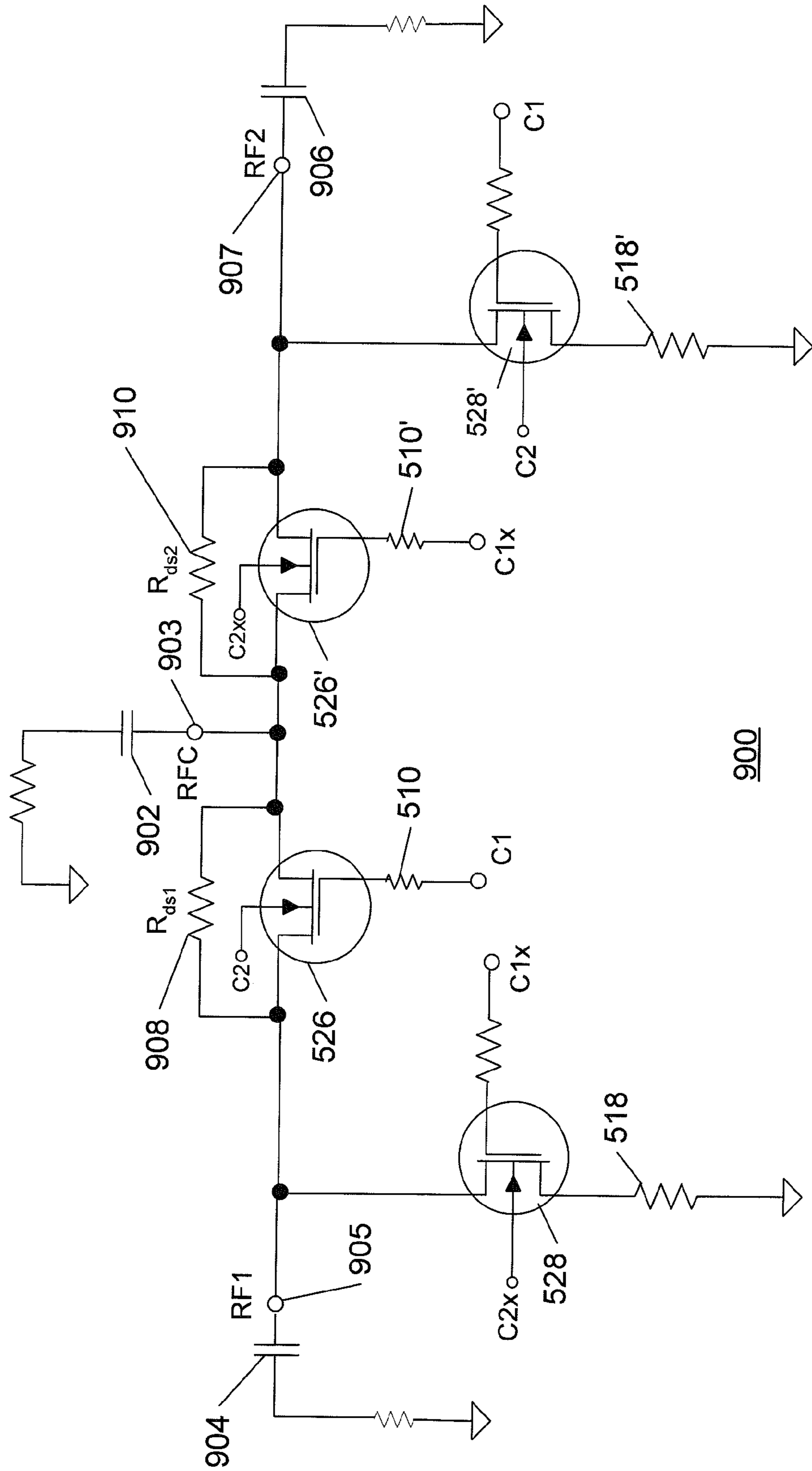


Figure 9

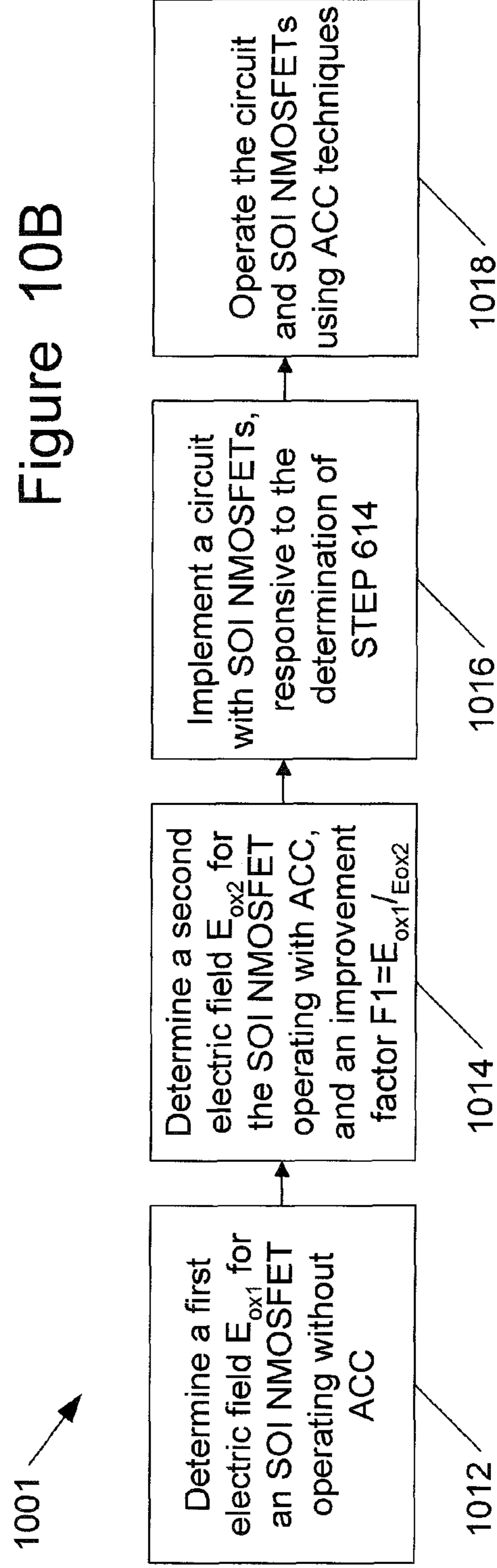
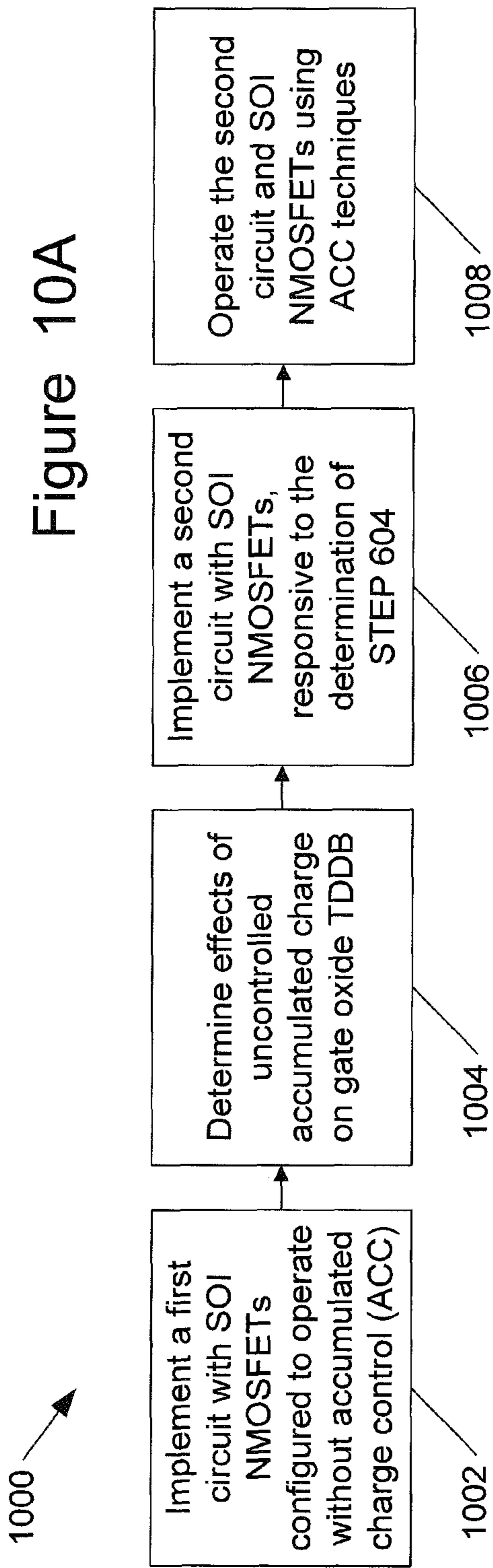
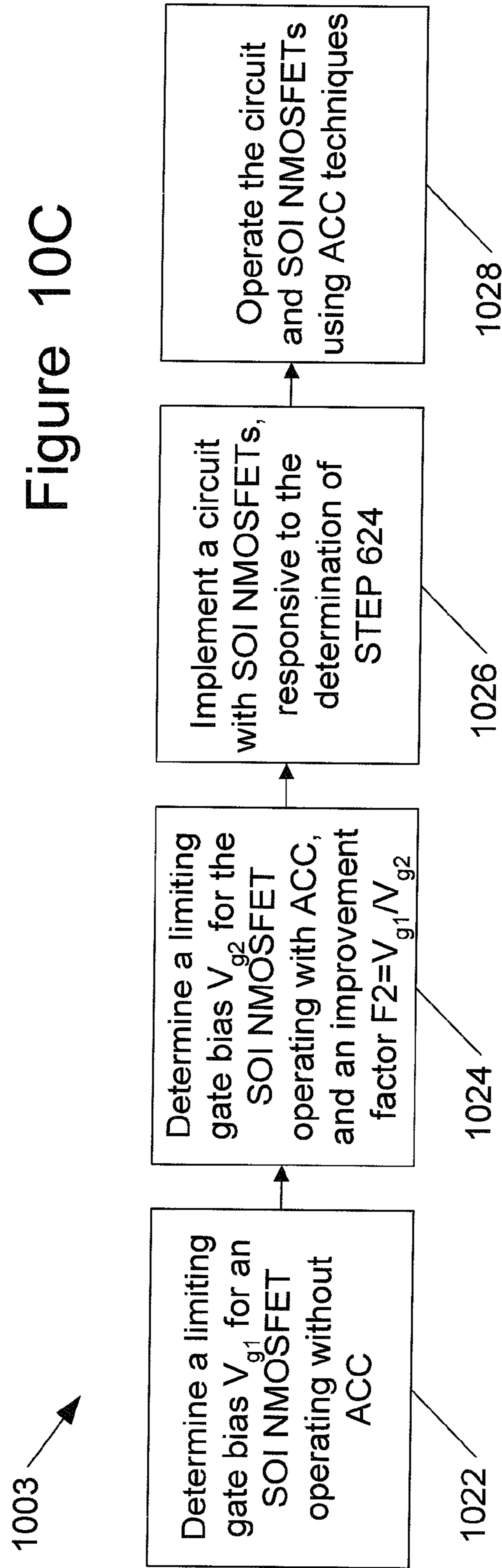


Figure 10C



**METHOD AND APPARATUS IMPROVING
GATE OXIDE RELIABILITY BY
CONTROLLING ACCUMULATED CHARGE**

Matter enclosed in heavy brackets [] appears in the original patent but forms no part of this reissue specification; matter printed in italics indicates the additions made by reissue; a claim printed with strikethrough indicates that the claim was canceled, disclaimed, or held invalid by a prior post-patent action or proceeding.

CROSS-REFERENCE TO RELATED
APPLICATIONS

Claims of Priority

This application is a reissue of U.S. application Ser. No. 13/028,144, filed Feb. 15, 2011, now U.S. Pat. No. 8,954,902, which is a divisional application of U.S. application Ser. No. 11/520,912, "Method and Apparatus Improving Gate Oxide Reliability by Controlling Accumulated Charge", filed Sep. 14, 2006, issuing Feb. 15, 2011 as U.S. Pat. No. 7,890,891, which is a Continuation-in-Part (CIP) of commonly assigned U.S. patent application Ser. No. 11/484,370, filed Jul. 10, 2006, entitled "Method and Apparatus for use in Improving Linearity of MOSFETs using an Accumulated Charge Sink", which claims the benefit under 35 U.S.C. §119 (e) of U.S. Provisional Application No. 60/698,523, filed Jul. 11, 2005, entitled "Method and Apparatus for use in Improving Linearity of MOSFETs using an Accumulated Charge Sink"; and application Ser. No. 11/520,912, also claims the benefit under 35 U.S.C. §119 (e) of U.S. Provisional Application No. 60/718,260, filed Sep. 15, 2005, entitled "Method and Apparatus Improving Gate Oxide Reliability by Controlling Accumulated Charge"; and the contents of application Ser. No. 11/484,370 and 11/520,912, and provisional application Nos. 60/698,523 and 60/718,260, are all incorporated by reference herein in their entirety.

BACKGROUND

1. Field

The present invention relates to metal-oxide-semiconductor (MOS) field effect transistors (FETs), and particularly to MOSFETs fabricated on Semiconductor-On-Insulator ("SOI") and Silicon-On-Sapphire ("SOS") substrates. In one embodiment, an SOI (or SOS) MOSFET is adapted to control accumulated charge and thereby improve linearity of circuit elements. In another embodiment, according to the present CIP, an SOI (or SOS) MOSFET is adapted to control accumulated charge and thereby improve gate oxide reliability.

2. Description of Related Art

Although the disclosed method and apparatus for use in improving the linearity of MOSFETs are described herein as applicable for use in SOI MOSFETs, it will be appreciated by those skilled in the electronic device design arts that the present teachings are equally applicable for use in SOS MOSFETs. The present teachings also apply to other semiconductor-on-insulator systems, wherein the silicon is replaced by another semiconductor such as silicon-germanium (SiGe). It will also be appreciated by those skilled in the electronic design arts that the present disclosed method and apparatus also apply to virtually any insulating gate technology, and to integrated circuits having a floating body. As those skilled in the art will appreciate, technologies are

constantly being developed for achieving "floating body" implementations. For example, the inventors are aware of circuits implemented in bulk silicon wherein circuit implementations are used to "float" the body of the device. The disclosure contemplates embodiments of the disclosed method and apparatus implemented in any of the developing floating body implementations. Therefore, references to and exemplary descriptions of SOI MOSFETs herein are not to be construed as limiting the applicability of the present teachings to SOI MOSFETs only. Rather, as described below in more detail, the disclosed method and apparatus find utility in MOSFETs implemented in a plurality of device technologies, including SOS.

As is well known, a MOSFET employs a gate-modulated conductive channel of n-type or p-type conductivity, and is accordingly referred to as an "NMOSFET" or "PMOSFET", respectively. FIG. 1 shows a cross-sectional view of an exemplary prior art SOI NMOSFET 100. As shown in FIG. 1, the prior art SOI NMOSFET 100 includes an insulating substrate 118 that may comprise a buried oxide layer, sapphire, or other insulating material. A source 112 and drain 116 of the NMOSFET 100 comprise N+ regions (i.e., regions that are heavily doped with an "n-type" dopant material) produced by ion implantation into a silicon layer positioned above the insulating substrate 118. (The source and drain of PMOSFETs comprise P+ regions (i.e., regions heavily doped with "p-type" dopant material)). The body 114 comprises a P- region (i.e., a region that is lightly doped with a "p-type" dopant), produced by ion implantation, or by dopants already present in the silicon layer when it is formed on the insulating substrate 118. As shown in FIG. 1, the NMOSFET 100 also includes a gate oxide 110 positioned over the body 114. The gate oxide 110 typically comprises a thin layer of an insulating dielectric material such as SiO₂. The gate oxide 110 electrically insulates the body 114 from a gate 108 positioned over the gate oxide 110. The gate 108 comprises a layer of metal or, more typically, polysilicon.

A source terminal 102 is operatively coupled to the source 112 so that a source bias voltage "Vs" may be applied to the source 112. A drain terminal 106 is operatively coupled to the drain 116 so that a drain bias voltage "Vd" may be applied to the drain 116. A gate terminal 104 is operatively coupled to the gate 108 so that a gate bias voltage "Vg" may be applied to the gate 108.

As is well known, when a voltage is applied between the gate and source terminals of a MOSFET, a generated electric field penetrates through the gate oxide to the transistor body. For an enhancement mode device, a positive gate bias creates a channel in the channel region of the MOSFET body through which current passes between the source and drain. For a depletion mode device, a channel is present for a zero gate bias. Varying the voltage applied to the gate modulates the conductivity of the channel and thereby controls the current flow between the source and drain.

For an enhancement mode MOSFET, for example, the gate bias creates a so-called "inversion channel" in a channel region of the body 114 under the gate oxide 110. The inversion channel comprises carriers having the same polarity (e.g., "P" polarity (i.e., hole carriers), or "N" polarity (i.e., electron carriers) carriers) as the polarity of the source and drain carriers, and it thereby provides a conduit (i.e., channel) through which current passes between the source and the drain. For example, as shown in the SOI NMOSFET 100 of FIG. 1, when a sufficiently positive voltage is applied between the gate 108 and the source 112 (i.e. a positive gate bias exceeding a threshold voltage V_{th}), an inversion channel is formed in the channel region of the body 114. As noted

above, the polarity of carriers in the inversion channel is identical to the polarity of carriers in the source and drain. In this example, because the source and drain comprise “n-type” dopant material and therefore have N polarity carriers, the carriers in the channel comprise N polarity carriers. Similarly, because the source and drain comprise “p-type” dopant material in PMOSFETs, the carriers in the channel of turned on (i.e., conducting) PMOSFETs comprise P polarity carriers.

Depletion mode MOSFETs operate similarly to enhancement mode MOSFETs, however, depletion mode MOSFETs are doped so that a conducting channel exists even without a voltage being applied to the gate. When a voltage of appropriate polarity is applied to the gate the channel is depleted. This, in turn, reduces the current flow through the depletion mode device. In essence, the depletion mode device is analogous to a “normally closed” switch, while the enhancement mode device is analogous to a “normally open” switch. Both enhancement and depletion mode MOSFETs have a gate voltage threshold, V_{th} , at which the MOSFET changes from an off-state (non-conducting) to an on-state (conducting).

No matter what mode of operation an SOI MOSFET employs (i.e., whether enhancement or depletion mode), when the MOSFET is operated in an off-state (i.e., the gate voltage does not exceed V_{th}), and when a sufficient nonzero gate bias voltage is applied with respect to the source and drain, an “accumulated charge” may occur under the gate. The “accumulated charge”, as defined in more detail below and used throughout the present application, is similar to the “accumulation charge” described in the prior art literature in reference to MOS capacitors. However, the prior art references describe “accumulation charge” as referring only to bias-induced charge existing under a MOS capacitor oxide, wherein the accumulation charge is of the same polarity as the majority carriers of the semiconductor material under the capacitor oxide. In contrast, and as described below in more detail, “accumulated charge” is used herein to refer to gate-bias induced carriers that may accumulate in the body of an off-state MOSFET, even if the majority carriers in the body do not have the same polarity as the accumulated charge. This situation may occur, for example, in an off-state depletion mode NMOSFET, wherein the accumulated charge may comprise holes (i.e., having P polarity) even though the body doping is N- rather than P-.

For example, as shown in FIG. 1, when the SOI NMOSFET **100** is biased to operate in an off-state, and when a sufficient nonzero voltage is applied to the gate **108**, an accumulated charge **120** may accumulate in the body **114** underneath and proximate the gate oxide **110**. The operating state of the SOI NMOSFET **100** shown in FIG. 1 is referred to herein as an “accumulated charge regime” of the MOSFET. The accumulated charge regime is defined in more detail below. The causes and effects of the accumulated charge in SOI MOSFETs are now described in more detail.

As is well known, electron-hole pair carriers may be generated in MOSFET bodies as a result of several mechanisms (e.g., thermal, optical, and band-to-band tunneling electron-hole pair generation processes). When electron-hole pair carriers are generated within an NMOSFET body, for example, and when the NMOSFET is biased in an off-state condition, electrons may be separated from their hole counterparts and pulled into both the source and drain. Over a period of time, assuming the NMOSFET continues to be biased in the offstate, the holes (resulting from the separated electron-hole pairs) may accumulate under the gate oxide (i.e., forming an “accumulated charge”) under-

neath and proximate the gate oxide. A similar process (with the behavior of electrons and holes reversed) occurs in similarly biased PMOSFET devices. This phenomenon is now described with reference to the SOI NMOSFET **100** of FIG. 1.

When the SOI NMOSFET **100** is operated with gate, source and drain bias voltages that deplete the channel carriers in the body **114** (i.e., the NMOSFET **100** is in the off-state), holes may accumulate underneath and proximate the gate oxide **110**. For example, if the source bias voltage V_s and the drain bias voltage V_d are both zero (e.g., connected to a ground contact, not shown), and the gate bias voltage V_g comprises a sufficiently negative voltage with respect to ground and with respect to V_{th} , holes present in the body **114** become attracted to the channel region proximate the gate oxide **110**. Over a period of time, unless removed or otherwise controlled, the holes accumulate underneath the gate oxide **110** and result in the accumulated charge **120** shown in FIG. 1. The accumulated charge **120** is therefore shown as positive “+” hole carriers in FIG. 1. In the example given, V_g is negative with respect to V_s and V_d , so electric field regions **122** and **124** may also be present. Accumulated Charge Regime Defined

The accumulated charge is opposite in polarity to the polarity of carriers in the channel. Because, as described above, the polarity of carriers in the channel is identical to the polarity of carriers in the source and drain, the polarity of the accumulated charge **120** is also opposite to the polarity of carriers in the source and drain. For example, under the operating conditions described above, holes (having “P” polarity) accumulate in off-state NMOSFETs, and electrons (having “N” polarity) accumulate in off-state PMOSFETs. Therefore, a MOSFET device is defined herein as operating within the “accumulated charge regime” when the MOSFET is biased to operate in an off-state, and when carriers having opposite polarity to the channel carriers are present in the channel region. Stated in other terms, a MOSFET is defined as operating within the accumulated charge regime when the MOSFET is biased to operate in an off-state, and when carriers are present in the channel region having a polarity that is opposite the polarity of the source and drain carriers.

For example, and referring again to FIG. 1, the accumulated charge **120** comprises hole carriers having P or “+” polarity. In contrast, the carriers in the source, drain, and channel (i.e., when the FET is in the on-state) comprise electron carriers having N or “-” polarity. The SOI NMOSFET **100** is therefore shown in FIG. 1 as operating in the accumulated charge regime. It is biased to operate in an off-state, and an accumulated charge **120** is present in the channel region. The accumulated charge **120** is opposite in polarity (P) to the polarity of the channel, source and drain carriers (N).

In another example, wherein the SOI NMOSFET **100** comprises a depletion mode device, V_{th} is negative by definition. According to this example, the body **114** comprises an N- region (as contrasted with the P- region shown in FIG. 1). The source and drain comprise N+ regions similar to those shown in the enhancement mode MOSFET **100** of FIG. 1. For V_s and V_d both at zero volts, when a gate bias V_g is applied that is sufficiently negative relative to V_{th} (for example, a V_g that is more negative than approximately -1 V relative to V_{th}), the depletion mode NMOSFET is biased into an off-state. If biased in the off-state for a sufficiently long period of time, holes may accumulate under the gate oxide and thereby comprise the accumulated charge **120** shown in FIG. 1.

In other examples, V_s and V_d may comprise nonzero bias voltages. In some embodiments, V_g must be sufficiently negative to both V_s and V_d (in order for V_g to be sufficiently negative to V_{th} , for example) in order to bias the NMOSFET in the off-state. Those skilled in the MOSFET device design arts shall recognize that a wide variety of bias voltages may be used to practice the present teachings. As described below in more detail, the present disclosed method and apparatus contemplates use in any SOT MOSFET device biased to operate in the accumulated charge regime.

SOI and SOS MOSFETs are often used in applications in which operation within the accumulated charge regime adversely affects MOSFET performance. As described below in more detail, unless the accumulated charge is removed or otherwise controlled, it detrimentally affects performance of SOI MOSFETs under certain operating conditions. One exemplary application, described below in more detail with reference to the circuits shown in FIGS. 2B and 5A, is the use of SOI MOSFETs in the implementation of radio frequency (RF) switching circuits. As described below with reference to FIGS. 2B and 5A in more detail, the inventors have discovered that unless the accumulated charge is removed or otherwise controlled, under some operating conditions, the accumulated charge adversely affects the linearity of the SOT MOSFET and thereby increases harmonic distortion and intermodulation distortion (IMD) caused by the MOSFET when used in the implementation of certain circuits. In addition, as described below in more detail, the inventors have discovered that removal or control of the accumulated charge improves the drain-to-source breakdown voltage (i.e., the "BV_{DSS}") characteristics of the SOI MOSFETs.

Therefore, it is desirable to provide techniques for adapting and improving SOI (and SOS) MOSFETs, and circuits implemented with the improved SOI MOSFETs, in order to remove or otherwise control the accumulated charge, and thereby significantly improve SOI MOSFET performance. It is desirable to provide methods and apparatus for use in improving the linearity characteristics in SOI MOSFETs. The improved MOSFETs should have improved linearity, harmonic distortion, intermodulation distortion, and BV_{DSS} characteristics as compared with prior art MOSFETs, and thereby improve the performance of circuits implemented with the improved MOSFETs. The present teachings provide such novel methods and apparatus.

Gate Oxide Reliability and the Accumulated Charge Regime

The gate oxide is a critical component of a MOSFET. In many applications, including RF switch implementation, it is desirable to make the gate oxide as thin as possible. In RF circuit applications, thinner gate oxide results in higher on-currents and lower insertion losses for RF signals. However, if the gate oxide is too thin, the oxide will break down when a gate voltage is applied. When an electric field is applied to a gate oxide, there is typically a significant time interval before the gate oxide fails. The time required for a gate oxide to fail is a function of the applied electric field and temperature. This phenomenon is known as Time Dependent Dielectric Breakdown (TDDB). As a rough rule of thumb, at room temperature the electric field in a gate oxide should not exceed approximately 5 MV/cm for a desired lifetime or time-to-breakdown of ten years.

TDDB in gate oxides has been investigated extensively. One exemplary reference is an article entitled "A Unified Gate Oxide Reliability Model," C. Hu and Q. Lu, 37th International Reliability Physics Symposium, San Diego, Calif. 1999. This paper discusses two major mechanisms for

TDDB which occur under different stress conditions related to the strength of the applied electric field.

Another exemplary reference is a technical paper entitled "Low Electric Field Breakdown of Thin SiO₂ Films Under Static and Dynamic Stress," J. S. Suehle and P. Chaparala, IEEE Transactions on Electron Devices, Vol. 44, No. 5, May 1997. This reference reports an increase in gate oxide lifetime under bipolar pulsed stress (positive and negative voltage pulses) relative to unipolar (DC) stress. This effect occurs only at very large fields, and is attributed to relaxation of hole trapping occurring in the gate oxide. This phenomenon is unrelated to the improvements in gate oxide reliability that can be obtained by controlling accumulated charge in SOI MOSFETs, as described in more detail herein.

Still yet another reference relating to TDDB is a technical paper entitled "Reliability Issues for Silicon-on-insulator," R. Bolam, et al., Electron Devices Meeting 2000, IEDM Technical Digest, December 2000. The authors report that there is no significant difference for TDDB failure in bulk Si devices and SOI devices fabricated in accordance with current art. The paper by C. Hu and Q. Lu, the reference by Suehle and Chaparala, and the reference by R. Bolam, cited above (referred to herein as the "TDDB references"), are hereby fully incorporated by reference herein, as though set forth in full for their teachings on the reliability of SiO₂ when used as a gate dielectric.

The TDDB references cited above indicate that TDDB lifetime, at a given temperature, is dependent on the electric field in the gate oxide. When charge carriers are present beneath the gate oxide (e.g., when the MOSFET is in an on-state), the electric field in the oxide is approximately equal to the gate-to-source voltage divided by the gate oxide thickness. However, in accordance with teachings presented herein, persons skilled in the arts of electronic devices will appreciate that this is not necessarily the case for an SOI MOSFET operated in an off-state in the accumulated charge regime. In this case, the electric field that stresses the gate oxide is also affected by the presence of an accumulated charge under the gate. In particular, the inventors have discovered that removing or otherwise controlling the accumulated charge can significantly reduce the electric field that stresses the gate oxide and thereby improve the gate oxide reliability. Therefore, it is desirable to provide techniques for adapting and operating SOI MOSFET devices and circuits in order to control the accumulated charge and thereby significantly improve gate oxide reliability. The present teachings provide such novel techniques for adapting and operating SOI MOSFET devices.

SUMMARY

Apparatuses and methods are provided to control accumulated charge in SOI MOSFETs, thereby improving non-linear responses and harmonic and intermodulation distortion effects in the operation of the SOI MOSFETs.

In one embodiment, a circuit having at least one SOI MOSFET is configured to operate in an accumulated charge regime. An accumulated charge sink (ACS), operatively coupled to the body of the SOI MOSFET, receives accumulated charge generated in the body, thereby reducing the non-linearity of the net source-drain capacitance of the SOI MOSFET.

In one embodiment, the ACS comprises a high impedance connection to the MOSFET body, with an exemplary impedance greater than 10⁶ ohm.

Embodiments Relating to Methods and Apparatuses
for Improving Gate Oxide Reliability in
Accordance with the Present CIP

Circuits with SOI MOSFETs are adapted to control accu-
mulated charge in the SOI MOSFETs, thereby improving
gate oxide reliability of the SOI MOSFETs.

In one embodiment, a circuit comprises an SOI MOSFET,
operating in the accumulated charge regime, and means for
accumulated charge control (ACC), operatively coupled to
the SOI MOSFET. The SOI MOSFET is adapted to have a
maximum electric field E_{tb} in the gate oxide of the SOI
MOSFET, where E_{tb} corresponds to a desired lifetime or
average time-to-breakdown for the gate oxide. The SOI
MOSFET is adapted responsive to a first determination of
the maximum electric field E_{ox1} in the gate oxide with an
uncontrolled accumulated charge proximate to the gate
oxide, and further responsive to second determination of
the maximum electric field E_{ox2} in the gate oxide with a con-
trolled accumulated charge proximate to the gate oxide.
Determinations of E_{tb} , E_{ox1} , and E_{ox2} may be performed
using well known techniques such as TDDB measurements
and simulations of the SOI MOSFET operation.

According to another embodiment, a method for improv-
ing gate oxide reliability of an SOI MOSFET, operating in
the accumulated charge regime, begins at a STEP (a). At the
STEP (a), a first maximum electric field E_{ox1} in the gate
oxide of the SOI MOSFET is determined with an uncon-
trolled accumulated charge proximate to the gate oxide.
Proceeding to a STEP (b), a second maximum electric field
 E_{ox2} in the gate oxide of the SOI MOSFET is determined
with a controlled accumulated charge proximate to the gate
oxide. At a STEP (c), the SOI MOSFET is implemented in
a circuit, wherein the SOI MOSFET is adapted to have a
maximum electric field E_{tb} in the gate oxide. The maximum
electric field E_{tb} corresponds to a desired lifetime or time-
to-breakdown for the gate oxide. The SOI MOSFET is
adapted responsive to the determinations of the STEPS (a)
and (b). At a final STEP (d), the circuit is operated using a
means for ACC operatively coupled to the SOI MOSFET.

In another embodiment, the SOI MOSFET is adapted by
implementing a second thickness T_{ox2} of the gate oxide,
wherein T_{ox2} is less than a first thickness T_{ox1} of the gate
oxide. The first thickness T_{ox1} corresponds to the SOI
MOSFET having the maximum electric field E_{ox1} in the gate
oxide less than or equal to E_{tb} when the SOI MOSFET is
operated without the means for ACC operatively coupled to
the SOI MOSFET. Implementation of the means for ACC
enables the use of the lesser second thickness T_{ox2} , without
allowing the maximum electric field E_{ox2} in the gate oxide
to exceed E_{tb} .

According to another embodiment, the SOI MOSFET is
adapted to enable a specified performance for the SOI
MOSFET using the second thickness T_{ox2} and a second body
width $W2$ of the SOI MOSFET (the terms "gate width,"
"body width" and "transistor width" are used equivalently
and interchangeably herein), wherein the second body width
 $W2$ is less than a first body width $W1$ of the SOI MOSFET.
The first body width $W1$ corresponds to the SOI MOSFET
being adapted to enable the specified performance using the
first thickness T_{ox1} . Using the lesser second gate oxide
thickness T_{ox2} provides improvements in the performance of
the SOI MOSFET, such as reduced insertion loss, improved
on-state conductance, and improved transconductance. This
allows the body width of the SOI MOSFET to be reduced
while maintaining the specified performance. Advantages of
reduced body width include smaller die size for lower

manufacturing cost and reduced parasitic capacitance, and
better performance such as improved linearity.

In a further embodiment, the SOI MOSFET is adapted by
implementing a second limiting gate bias voltage V_{g2}
applied to a gate of the SOI MOSFET. V_{g2} has an absolute
value greater than the absolute value of a first limiting gate
bias voltage V_{g1} applied to the gate of the SOI MOSFET.
 V_{g1} corresponds to the SOI MOSFET having the maximum
electric field E_{ox1} in the gate oxide less than or equal to E_{tb}
when the SOI MOSFET is operated without the means for
ACC operatively coupled to the SOI MOSFET. Implemen-
tation of the means for ACC enables the magnitude of the
off-state limiting gate bias V_{g2} to be increased over V_{g1}
without having the maximum electric field E_{ox2} in the gate
oxide exceed E_{tb} . More generally, using ACC allows the use
of thinner gate oxide, larger gate bias magnitude, or a
selected combination thereof.

In another embodiment, the means for ACC may com-
prise an Accumulated Charge Sink (ACS), having a resis-
tance greater than 10^6 ohm, operatively coupled to a body
region of the SOI MOSFET to receive and remove the
accumulated charge.

In another exemplary embodiment, the means for ACC
may comprise an ACS, having a resistance not greater than
 10^6 ohm, operatively coupled to a body region of the SOI
MOSFET to receive and remove the accumulated charge.

In yet another exemplary embodiment, the means for
ACC may comprise a control circuit operatively coupled to
a gate of the SOI MOSFET. The control circuit is adapted to
apply a voltage pulse to the gate to switch the SOI MOSFET
from the off-state to an on-state for a selected interval,
thereby dissipating the accumulated charge proximate to the
gate oxide.

In yet another exemplary embodiment, the means for
ACC may comprise a resistor electrically connected to a
gate of the SOI MOSFET sufficient to prevent attenuation of
an induced RF voltage on the gate, and wherein an RF signal
voltage is applied to a drain of the SOI MOSFET that
generates the induced RF voltage, thereby reducing the
accumulated charge.

According to other exemplary embodiments, the SOI
MOSFET may be an NMOSFET or a PMOSFET. The SOI
MOSFET may be fabricated using silicon-on-sapphire, or
other SOI technologies, such as Separation by Implantation
of Oxygen (SIMOX), silicon bonded to insulator, etc. The
exemplary circuit including the SOI MOSFET may be an RF
switching circuit, an RF mixer, a power amplifier, a level
shifting circuit, a negative voltage generator, an oscillator, a
DC-DC converter or other circuit using SOI MOSFETs.

BRIEF DESCRIPTION OF THE DRAWINGS

FIG. 1 is a cross-sectional view of an exemplary prior art
SOI NMOSFET.

FIG. 2A is a simplified schematic of an electrical model
showing the off-state impedance characteristics of the exem-
plary prior art SOI NMOSFET of FIG. 1.

FIG. 2B is a schematic of an exemplary simplified RF
switching circuit implemented using prior art SOI MOS-
FETs such as the prior art SOI NMOSFET of FIG. 1.

FIGS. 3A and 3B are simplified schematic diagrams of a
top view of an improved SOI NMOSFET adapted to control
accumulated charge in accordance with the present teach-
ings.

FIG. 3C is a cross-sectional perspective schematic of an improved SOI NMOSFET adapted to control accumulated charge showing gate, source, drain and accumulated charge sink (ACS) terminals.

FIG. 3D is a simplified top view schematic of an improved SOI NMOSFET adapted to control accumulated charge having an accumulated charge sink (ACS) electrically coupled to a P+ region.

FIG. 3E is a simplified top view schematic of an improved SOI NMOSFET adapted to control accumulated charge and showing a cross-sectional view line A-A' taken along approximately a center of the SOI NMOSFET.

FIG. 3F is a cross-sectional view of the improved SOI NMOSFET of FIG. 3E taken along the A-A' view line of FIG. 3E.

FIG. 3F-1 is a cross-sectional view of the improved SOI NMOSFET of FIGS. 3A-3B.

FIG. 3G is a simplified top view schematic of an SOI NMOSFET illustrating the region of increased threshold voltage that can occur in the prior art MOSFETs and in some embodiments of the improved SOI MOSFET due to manufacturing processes.

FIG. 3G-1 is a schematic plot of inversion channel charge as a function of applied gate voltage when a region of increased threshold voltage is present.

FIG. 3H is a simplified top view schematic of an improved SOI NMOSFET adapted to control accumulated charge and configured in a "T-gate" configuration.

FIG. 3I is a simplified top view schematic of an improved SOI NMOSFET adapted to control accumulated charge and configured in an "H-gate" configuration.

FIG. 4A is a simplified schematic of an improved SOI NMOSFET adapted to control accumulated charge embodied as a four terminal device.

FIG. 4B is a simplified schematic of an improved SOI NMOSFET adapted to control accumulated charge, embodied as a four terminal device, wherein an accumulated charge sink (ACS) terminal is coupled to a gate terminal.

FIG. 4C is a simplified schematic of an improved SOI NMOSFET adapted to control accumulated charge, embodied as a four terminal device, wherein an accumulated charge sink (ACS) terminal is coupled to a gate terminal via a diode.

FIG. 4D is a simplified schematic of an improved SOI NMOSFET adapted to control accumulated charge, embodied as a four terminal device, wherein an accumulated charge sink (ACS) terminal is coupled to a control circuit.

FIG. 4D-1 is a simplified schematic of the improved SOI NMOSFET of FIG. 4D, embodied as a four terminal device, showing an accumulated charge sink (ACS) terminal coupled to a separate bias source.

FIG. 4E is a simplified schematic of an improved SOI NMOSFET adapted to control accumulated charge, embodied as a four terminal device, wherein an accumulated charge sink (ACS) terminal is coupled to a clamping circuit.

FIG. 4F is a simplified schematic of an improved SOI NMOSFET adapted to control accumulated charge, embodied as a four terminal device, wherein an accumulated charge sink (ACS) terminal is coupled to a gate terminal via a diode in parallel with a capacitor.

FIG. 4G shows plots of the off-state capacitance (C_{off}) versus applied drain-to-source voltages for SOI MOSFETs operated in the accumulated charge regime, wherein a first plot shows the off-state capacitance C_{off} of a prior art SOI MOSFET, and wherein a second plot shows the off-state capacitance C_{off} of the improved ACC SOI MOSFET made in accordance with the present teachings.

FIG. 5A is a schematic of an exemplary single pole, single throw (SPST) radio frequency (RF) switch circuit.

FIG. 5B is a schematic of an RF switch circuit adapted for improved performance using accumulated charge control, wherein the gate of a shunting SOI NMOSFET is coupled to an accumulated charge sink (ACS) terminal.

FIG. 5C is a schematic of an RF switch circuit adapted for improved performance using accumulated charge control, wherein the gate of a shunting SOI NMOSFET is coupled to an accumulated charge sink (ACS) terminal via a diode.

FIG. 5D is a schematic of an RF switch circuit adapted for improved performance using accumulated charge control, wherein the accumulated charge sink (ACS) terminal is coupled to a control circuit.

FIG. 6 is a schematic of an RF switch circuit including stacked MOSFETs, adapted for improved performance using accumulated charge control, wherein the accumulated charge sink (ACS) terminals of the shunting stacked MOSFETs are coupled to a control signal.

FIG. 7 shows a flowchart of an exemplary method of improving the linearity of an SOI MOSFET device using an accumulated charge sink in accordance with the present disclosure.

FIG. 8 shows a simplified circuit schematic of an exemplary embodiment of an RF switch circuit made in accordance with the present disclosure, wherein the RF switch circuit includes drain-to-source resistors between the drain and source of the ACC MOSFETs.

FIG. 9 shows a simplified schematic of an exemplary single-pole double-throw (SPDT) RF switch circuit made in accordance with the present disclosure, wherein drain-to-source resistors are shown across the switching ACC SOI MOSFETs.

FIG. 10A is a flow chart of a first embodiment of a method of implementing SOI MOSFETs to improve gate oxide reliability using the accumulated charge control techniques of the present disclosure.

FIG. 10B is a flow chart of a second embodiment of a method of implementing SOI MOSFETs to improve gate oxide reliability using the accumulated charge control techniques of the present disclosure.

FIG. 10C is a flow chart of a third embodiment of a method of implementing SOI MOSFETs to improve gate oxide reliability using the accumulated charge control techniques of the present disclosure.

Like reference numbers and designations in the various drawings indicate like elements.

DETAILED DESCRIPTION

As noted above, those skilled in the electronic device design arts shall appreciate that the teachings herein apply equally to NMOSFETs and PMOSFETs. For simplicity, the embodiments and examples presented herein for illustrative purposes include only NMOSFETs, unless otherwise noted. By making well known changes to dopants, charge carriers, polarity of bias voltages, etc., persons skilled in the arts of electronic devices will easily understand how these embodiments and examples may be adapted for use with PMOSFETs.

Non-linearity and Harmonic Distortion Effects of Accumulated Charge in an SOI NMOSFET

As described in the background section above, no matter what mode of operation the MOSFET employs (i.e., enhancement mode or depletion mode), under some circumstances, when a MOSFET is operated in an off-state with a nonzero gate bias voltage applied with respect to the source

and drain, an accumulated charge may occur under the gate. According to the present teachings, as described above when the MOSFET is in an off-state, and when carriers are present in the channel region having a polarity that is opposite the polarity of the source and drain carriers, the MOSFET is said to be operating in the accumulated charge regime.

According to the present teachings, the inventors have observed that, when used in certain circuit implementations, MOSFETs operating in the accumulated charge regime exhibit undesirable non-linear characteristics that adversely impact circuit performance. For example, as described below in more detail with reference to FIG. 2A, the accumulated charge **120** (FIG. 1) adversely affects the linearity of off-state SOI MOSFETs, and more specifically, it adversely affects the linearity of contributing capacitances to the drain-to-source capacitance (C_{ds}). For an SOI MOSFET operating in an off-state, C_{ds} is referred to as C_{off} . The contributing capacitances to C_{off} are described below in reference to FIG. 2A for bias conditions wherein the gate bias V_g is provided by a circuit having an impedance that is large compared to the impedances of the contributing capacitances. As described below with reference to FIGS. 2B and 5A, this, in turn, adversely affects harmonic distortion, intermodulation distortion, and other performance characteristics of circuits implemented with the SOI MOSFETs. These novel observations, not taught or suggested by the prior art, may be understood with reference to the electrical model shown in FIG. 2A.

FIG. 2A is a simplified schematic of an electrical model **200** showing the off-state impedance (or conversely, conductance) characteristics of the exemplary prior art SOI NMOSFET **100** of FIG. 1. More specifically, the model **200** shows the impedance characteristics from the source **112** to the drain **116** when the NMOSFET **100** is operated in the off-state. Because the drain-to-source off-state impedance characteristic of the NMOSFET **100** is primarily capacitive in nature, it is referred to herein as the drain-to-source off-state capacitance (C_{off}). For the exemplary description herein, the gate **108** is understood to be biased at a voltage V_g by a circuit (not shown) that has an impedance that is large compared to the impedances of the contributing capacitances described in reference to FIG. 2A. Persons skilled in the electronic arts will understand how this exemplary description may be modified for the case wherein the impedance of the circuit providing the V_g bias is not large compared to the impedances of the contributing capacitances.

As shown in FIG. 2A, the junction between the source **112** and the body **114** (i.e., a source-body junction **218**) of the off-state NMOSFET **100** can be represented by a junction diode **208** and a junction capacitor **214**, configured as shown. Similarly, the junction between the drain **116** and the body **114** (i.e., the drain-body junction **220**) of the off-state NMOSFET **100** can be represented by a junction diode **210** and a junction capacitor **216**, configured as shown. The body **114** is represented simply as an impedance **212** that is present between the source-body junction **218** and the drain-body junction **220**.

A capacitor **206** represents the capacitance between the gate **108** and the body **114**. A capacitor **202** represents the capacitance between the source **112** and the gate **108**, and another capacitor **204** represents the capacitance between the drain **116** and the gate **108**. A substrate capacitance due to the electrical coupling between the source **112** and the drain **116** (through the insulating substrate **118** shown in FIG. 1) is taken to be negligibly small in the exemplary

description set forth below, and therefore is not shown in the electrical model **200** of FIG. 2A.

As described above, when the NMOSFET **100** is in the off-state, and when the accumulated charge **120** (FIG. 1) is not present in the body **114** (i.e., the NMOSFET **100** is not operating within the accumulated charge regime), the body **114** is depleted of charge carriers. In this case the body impedance **212** is analogous to the impedance of an insulator, and the electrical conductance through the body **114** is very small (i.e., the NMOSFET **100** is in the off-state). Consequently, the principal contributions to the drain-to-source off-state capacitance C_{off} are provided by the capacitors **202** and **204**. The capacitors **202** and **204** are only slightly voltage dependent, and therefore do not significantly contribute to a non-linear response that adversely affects harmonic generation and intermodulation distortion characteristics.

However, when the NMOSFET **100** operates within the accumulated charge regime, and the accumulated charge **120** is therefore present in the body **114**, mobile holes comprising the accumulated charge produce p-type conductivity between the source-body junction **218** and the drain-body junction **220**. In effect, the accumulated charge **120** produces an impedance between the source-body junction **218** and the drain-body junction **220** that is significantly less than the impedance between the junctions in the absence of the accumulated charge. If a V_{ds} voltage is applied between the drain **116** and the source **112**, the mobile holes redistribute according to the electrical potentials that result within the body **114**. DC and low-frequency current flow through the SOI NMOSFET **100** is prevented by the diode properties of the source-body junction **218** and the drain-body junction **220**, as represented by the junction diodes **208** and **210**, respectively. That is, because the junction diodes **208** and **210** are anti-series (i.e., "back-to-back") in this case, no DC or low-frequency currents flow through the SOI NMOSFET **100**. However, high-frequency currents may flow through the SOI NMOSFET **100** via the capacitances of the source-body junction **218** and the drain-body junction **220**, as represented by the junction capacitors **214** and **216**, respectively.

The junction capacitors **214** and **216** are voltage dependent because they are associated with junctions between n-type and p-type regions. This voltage dependence results from the voltage dependence of the width of the depletion region of the junction between the n-type and p-type regions. As a bias voltage is applied to the NMOSFET, the width of the depletion region of the junction between the n-type and p-type regions is varied. Because the capacitance of the junction depends on the width of the junction depletion region, the capacitance also varies as a function of the bias applied across the junction (i.e., the capacitance is also voltage dependent).

Further, the capacitors **202** and **204** may also have a voltage dependence caused by the presence of the accumulated charge **120**. Although the complex reasons for this voltage dependence are not described in detail herein, persons skilled in the arts of electronic devices shall understand that electric field regions (e.g., electric field regions **122** and **124** described above with reference to FIG. 1) may be affected by the response of the accumulated charge and its response to an applied V_{ds} , thereby causing a voltage dependence of capacitors **202** and **204**. An additional non-linear effect may occur due to a direct capacitance (not shown) between the source **112** and the drain **116**. Although this direct capacitance would usually be expected to be negligible for most SOI MOSFETs, it may contribute for

SOI MOSFETs having very short spacing between the source and drain. The contribution of this direct capacitance to C_{off} is also voltage-dependent in the presence of accumulated charge, for reasons that are analogous to the voltage dependencies of the capacitors **202** and **204** as described above.

The voltage dependencies of the junction capacitors **214** and **216**, the gate-to-source and gate-to-drain capacitors **202**, **204**, respectively, and the direct capacitance (not shown), cause nonlinear behavior in off-state capacitance C_{off} of the MOSFET when AC voltages are applied to the NMOSFET **100**, thereby producing undesirable generation of harmonic distortions and intermodulation distortion (IMD). The relative contributions of these effects are complex, and depend on fabrication processes, biases, signal amplitudes, and other variables. However, those skilled in the electronic device design arts shall understand from the teachings herein that reducing, removing, or otherwise controlling the accumulated charge provides an overall improvement in the nonlinear behavior of C_{off} . In addition, because the body impedance **212** is significantly decreased in the presence of the accumulated charge **120**, the magnitude of C_{off} may be increased when the FET operates in the accumulated charge regime. Reducing, removing, or otherwise controlling the accumulated charge also mitigates this effect.

The inventors have observed that the nonlinear behavior of the MOSFET off-state capacitance C_{off} adversely affects the performance of certain circuits implemented with the prior art SOI MOSFETs. For example, when an RF switch is implemented using the prior art SOI MOSFETs, such as the prior art SOI NMOSFET **100** of FIG. 1, the above-described nonlinear off-state characteristics of the prior art MOSFETs adversely affect the linearity of the switch. As described below in more detail, RF switch linearity is an important design parameter in many applications. Improved switch linearity leads to improved suppression of harmonic and intermodulation (IM) distortion of signals processed by the switch. These improved switch characteristics can be critically important in some applications such as use in cellular communication devices.

For example, the well known GSM cellular communication system standard imposes stringent linearity, harmonic and intermodulation suppression, and power consumption requirements on front-end components used to implement GSM cell phones. One exemplary GSM standard requires that all harmonics of a fundamental signal be suppressed to below -30 dBm at frequencies up to 12.75 GHz. If harmonics are not suppressed below these levels, reliable cell phone operation can be significantly adversely impacted (e.g., increased dropped calls or other communication problems may result due to harmonic and intermodulation distortion of the transmit and receive signals). Because the RF switching function is generally implemented in the cell phone front-end components, improvements in the RF switch linearity, harmonic and intermodulation suppression, and power consumption performance characteristics is highly desirable. A description of how the non-linear behavior of the off-state capacitance C_{off} of the prior art MOSFETs adversely affects these RF switch characteristics is now described with reference to FIG. 2B.

Harmonic Distortion Effects on RF Switch Circuits Implemented Using Prior Art SOI MOSFETs

FIG. 2B illustrates an exemplary simplified RF switch circuit **250** implemented using prior art MOSFETs such as the prior art SOI NMOSFET **100** described above with reference to FIG. 1. A detailed description of the operation and implementation of RF switch circuits is provided in

commonly assigned U.S. Pat. No. 6,804,502 which is hereby incorporated herein by reference in its entirety for its teachings on RF switch circuits. As shown in FIG. 2B, the prior art RF switch **250** includes a single "pass" or "switching" MOSFET **254** operatively coupled to five shunting MOSFETs **260a-260e**.

The MOSFET **254** acts as a pass or switching transistor and is configured, when enabled, to selectively couple an RF input signal (applied to its drain, for example) to an RF antenna **258** via a transmission path **256**. The shunting MOSFETs, **260a-260e**, when enabled, act to alternatively shunt the RF input signal to ground. As is well known, the switching MOSFET **254** is selectively controlled by a first switch control signal (not shown) coupled to its gate, and the shunting MOSFETs, **260a-260e** are similarly controlled by a second switch control signal (not shown) coupled to their gates. The switching MOSFET **254** is thereby enabled when the shunting MOSFETs **260a-260e** are disabled, and vice versa. As shown in the exemplary embodiment of the RF switch **250** of FIG. 2B, the switching MOSFET **254** is enabled by applying a gate bias voltage of $+2.5$ V (via the first switch control signal). The shunting MOSFETs **260a-260e** are disabled by applying a gate bias voltage of -2.5 V (via the second switch control signal).

When the switch **250** is configured in this state, the RF signal **252** propagates through the switching MOSFET **254**, through the transmission path **256**, and to the antenna **258**. As described above with reference to FIG. 2A, when the shunting MOSFETs **260a-260e** comprise prior art SOI (or SOS) MOSFETs, such as the SOI NMOSFET **100** (FIG. 1), an accumulated charge can occur in the SOI MOSFET bodies (i.e., when the SOI MOSFETs operate in the accumulated charge regime as described above). The accumulated charge can produce nonlinear behavior in the off-state capacitance C_{off} of the SOI MOSFETs when AC voltages are applied to the MOSFETs.

More specifically, when the accumulated charge is present in the channel regions of the off-state SOI MOSFETs **260a-260e** it responds to variations in the RF signals applied to their respective drains. As the time varying RF signal propagates along the transmission path **256**, the RF signal applies time varying source-to-drain bias voltages to the SOI MOSFETs **260a-260e**. The time varying source-to-drain bias voltages creates movement of the accumulated charge within the channel regions of the SOI MOSFETs **260-260e**. The movement of the accumulated charge within the channel regions of the SOI MOSFETs causes variations in the drain-to-source off-state capacitance of the SOI MOSFETs **260a-260e**. More specifically, the movement of the accumulated charge within the channel regions causes a voltage dependence of the drain-to-source off-state capacitance as described above with reference to FIG. 2A. The voltage dependent variations in the off-state capacitance of the SOI MOSFETs **260a-260e** is the dominant cause of harmonic distortion and IMD of the RF signal as it propagates through the RF switch **250**.

As noted above, harmonic distortion and IMD of the RF signal is a major disadvantage of the prior art RF switch circuits implemented using the prior art SOI MOSFET devices. For many applications, harmonics and IMD of the RF signal must be suppressed to levels that heretofore have been difficult or impossible to achieve using prior art SOI MOSFET devices. In GSM devices, for example, at a maximum operating power of $+35$ dBm, prior art switches typically have only a 6 dB margin to the GSM third order harmonics suppression requirement of less than -30 dBm. Very low even order harmonic distortion is also desirable in

GSM systems as the second order harmonic of the GSM transmit band also resides in the DCS receive band. Suppression of odd order (e.g., third order) harmonics of the RF signal, however, is desirable and improvements in that regard are needed.

In addition, as is well known, presence of an accumulated charge in the bodies of floating body (e.g., SOI) MOSFETs can also adversely affect the drain-to-source breakdown voltage (BVDSS) performance characteristics of the floating body MOSFETs. As is well known, floating-body FETs demonstrate drain-to-source breakdown voltage problems, also known as BVDSS, wherein the drain-to-source “punch-through” voltage is reduced by a parasitic bipolar action. The parasitic bipolar action is caused when holes are generated in the channel and the holes have nowhere to dissipate (i.e., because the body is floating, the holes have no means for escaping the body). As a consequence, the potential of the MOSFET body is increased, which effectively reduces the threshold voltage. In turn, this condition causes the MOSFET device to experience increased leakage, thereby generating more holes in the body, and thereby exacerbating the BVDSS problem (as a result of this positive feedback condition).

The present disclosed method and apparatus for improving linearity of SOI (and SOS) MOSFET devices overcomes the above-described disadvantages of the prior art. Once the accumulated charge is recognized as a major source of harmonic distortion, IMD and compression/saturation in off-state SOI MOSFET devices, and in circuits (such as RF circuits) implemented with these devices, it becomes clear that reduction, removal, and/or control of the accumulated charge improves the harmonic suppression characteristics of these devices. In addition, reduction, removal, and/or control of the accumulated charge also improves the BVDSS performance characteristics by preventing the parasitic bipolar action from occurring. Improvements in BVDSS lead to consequent improvements in device linearity. Several exemplary structures and techniques for controlling the accumulated charge in SOI MOSFETs are described in detail in the next section.

Method and Apparatus for Improving the Linearity of MOSFETs Using Accumulated Charge Sinks (ACS)—Overview

As described below in more detail, the present disclosure describes methods and apparatuses for improving semiconductor device linearity (e.g., reducing adverse harmonic distortion and IMD effects) in SOI MOSFETs. In one exemplary embodiment, the method and apparatus improves the linearity and controls the harmonic distortion and IMD effects of the MOSFET devices by reducing the accumulated charge in the bodies of the MOSFET devices. In one embodiment, the present method and apparatus reduces or otherwise controls the accumulated charge in the MOSFET bodies using an accumulated charge sink (ACS) that is operatively coupled to the MOSFET body. In one embodiment, the present method and apparatus entirely removes all of the accumulated charge from the bodies of the MOSFET devices. In one described embodiment, the MOSFET is biased to operate in an accumulated charge regime, and the ACS is used to entirely remove, reduce, or otherwise control, the accumulated charge and thereby reduce harmonic distortions and IMD that would otherwise result. Linearity is also improved in some embodiments by removing or otherwise controlling the accumulated charge thereby improving the floating body MOSFET BVDSS characteristics.

As noted in the background section above, persons skilled in the electronic device design and manufacture arts shall appreciate that the teachings herein apply equally to MOS-

FETs fabricated on Silicon-On-Insulator (“SOI”) and Silicon-On-Sapphire (“SOS”) substrates. As noted above, the present method and apparatus may also be applied to silicon-germanium (SiGe) SOI MOSFETs. For simplicity, the embodiments and examples presented herein for illustrative purposes include only NMOSFETs, unless otherwise noted. By making well known changes to dopants, charge carriers, polarity of bias voltages, etc., persons skilled in the electronic device design arts will easily understand how these embodiments and examples may be adapted for use with PMOSFETs.

As noted above, the present disclosure is particularly applicable to FETs and associated applications benefiting from a fully depleted channel when the FET is operated in the off-state, wherein an accumulated charge may result. The disclosed method and apparatus for use in improving the linearity of MOSFETs also finds applicability for use with partially depleted channels. As known to those skilled in the art, the doping and dimensions of the body vary widely. In an exemplary embodiment, the body comprises silicon having a thickness of approximately 100 angstroms to approximately 2,000 angstroms. In a further exemplary embodiment, dopant concentration within the FET bodies ranges from no more than that associated with intrinsic silicon to approximately 1×10^{18} active dopant atoms per cm^3 , resulting in fully-depleted transistor operation. In a further exemplary embodiment, dopant concentration within the FET bodies ranges from 1×10^{18} to 1×10^{19} active dopant atoms per cm^3 and/or the silicon comprising the body ranges from a thickness of 2000 angstroms to many micrometers, resulting in partially-depleted transistor operation. As will be appreciated by those skilled in the electronic design and manufacturing arts, the present disclosed method and apparatus for use in improving linearity of MOSFETs can be used in MOSFETs implemented in wide variety of dopant concentrations and body dimensions. The present disclosed method and apparatus therefore is not limited for use in MOSFETs implemented using the exemplary dopant concentrations and body dimensions as set forth above.

According to one aspect of the present disclosure, accumulated charge within a FET body is reduced using control methodologies and associated circuitry. In one embodiment all of the accumulated charge is removed from the FET body. In other embodiments, the accumulated charge is reduced or otherwise controlled. In one embodiment, holes are removed from the FET body, whereas in another embodiment, electrons are removed from the FET body, as described below in more detail. By removing holes (or electrons) from the FET body using the novel and nonobvious teachings of the present disclosure, voltage induced variations in the parasitic capacitances of the off-state FETs are reduced or eliminated, thereby reducing or eliminating nonlinear behavior of the off-state FETs. In addition, as described above with reference to FIG. 2A, because the body impedance is greatly increased when the accumulated charge is reduced or controlled, there is a beneficial overall reduction in the magnitude of the FET off-state capacitances. Also, as described above, removing or otherwise controlling the accumulated charge in floating body MOSFETs improves the BVDSS characteristics of the FET and thereby improves the linearity of the floating body MOSFET.

Accumulated charge control not only facilitates a beneficial overall reduction in the FET off-state capacitance C_{off} (as described above with reference to FIG. 2A and below with reference to FIG. 4G), it also facilitates a reduction in C_{off} variations that can occur over time in the presence of a time varying V_{ds} bias voltage. Thus, a reduction of unde-

sirable harmonics generation and intermodulation distortion in RF switch circuits is obtained using SOI MOSFETs made in accordance with the present disclosure. Improved SOI MOSFET power handling, linearity, and performance are achieved by devices made in accordance with the present teachings. While the methods and apparatuses of the present disclosure are capable of fully removing accumulated charge from the FET bodies, those skilled in the electronic device design arts shall appreciate that any reduction of accumulated charge is beneficial.

Reductions in harmonics and intermodulation distortion are generally beneficial in any semiconductor system, either bulk semiconductor or semiconductor-on-insulator (SOI) systems. SOI systems include any semiconductor architecture employing semiconductor-containing regions positioned above an underlying insulating substrate. While any suitable insulating substrate can be used in a SOI system, exemplary insulating substrates include silicon dioxide (e.g., a buried oxide layer supported by a silicon substrate, such as that known as Separation by Implantation of Oxygen (SIMOX)), bonded wafer (thick oxide), glass, and sapphire. As noted above, in addition to the commonly used silicon-based systems, some embodiments of the present disclosure may be implemented using silicon-germanium (SiGe), wherein the SiGe is used equivalently in place of Si.

A wide variety of ACS implementations and structures can be used to practice the present disclosed method and apparatus. In accordance with one embodiment of the present method and apparatus, an ACS is used to remove or otherwise control accumulated charge (referenced as 120 in FIG. 1 described above) from the MOSFETs when the MOSFETs are configured to operate in the accumulated charge regime. By adapting the SOI (or SOS) MOSFETs in accordance with the present teachings, improved Accumulated Charge Control (ACC) MOSFETs are realized. The ACC MOSFETs are useful in improving performance of many digital circuits, including RF switching circuits. Various characteristics and possible configurations of the exemplary ACC MOSFETs are described in detail below with reference to FIGS. 3A-3I. This section also describes how the exemplary ACS implementations of the present disclosure differ from the body contacts of the prior art.

The ACC MOSFET is shown schematically embodied as a four-terminal device in FIG. 4A. FIGS. 4B-4F show various exemplary simple circuit configurations that can be used in removing the accumulated charge from the ACC MOSFET when it operates in an accumulated charge regime. The operation of the simplified circuit configurations is described in more detail below with reference to FIGS. 4A-4F. The improvement in off-state capacitance C_{off} of the ACC MOSFETs, as compared with the off-state capacitance of the prior art SOI MOSFETs, is described below with reference to FIG. 4G.

The operation of various exemplary RF switch circuits implemented using the ACC MOSFETs of the present disclosure is described below with reference to the circuit schematics of FIGS. 5B-5D. Further, an exemplary RF switch circuit using stacked ACC MOSFETs (for increased power handling) of the present disclosure is described below with reference to FIG. 6. An exemplary method of improving the linearity of an SOI MOSFET using an accumulated charge sink (ACS) is described with reference to FIG. 7. Finally, exemplary fabrication methods that may be used to manufacture the ACC MOSFET are described. The various exemplary ACS implementations and structures that can be used to practice the disclosed method and apparatus are now described with reference to FIGS. 3A-3I.

Controlling Accumulated Charge Using an Accumulated Charge Sink (ACS)

FIGS. 3A and 3B are simplified schematic diagrams of a top view of an Accumulated Charge Control (ACC) SOI NMOSFET 300 adapted to control accumulated charge 120 (FIG. 1) in accordance with the present disclosure. In the exemplary embodiment, a gate contact 301 is coupled to a first end of a gate 302. A gate oxide (not shown in FIG. 3A but shown in FIG. 1) and a body 312 (shown in FIG. 3B) are positioned under the gate 302. In the exemplary NMOSFET 300 shown, a source 304 and a drain 306 comprise N+ regions. In the exemplary embodiment, the ACC NMOSFET 300 includes an accumulated charge sink (ACS) 308 comprising a P- region. The ACS 308 is coupled to and is in electrical communication with the body 312 which also comprises a P- region. A region 310 provides electrical connection to the ACS 308. In some embodiments, the region 310 comprises a P+ region. As shown in FIG. 3A, the region 310 is coupled to and is in electrical communication with the ACS 308.

Those skilled in the arts of electronic devices shall understand that the region 310 may be used to facilitate electrical coupling to the ACS 308 because in some embodiments it may be difficult to make a direct contact to a lightly doped region. In addition, in some embodiments the ACS 308 and the region 310 may be coextensive. In another embodiment, the region 310 comprises an N+ region. In this embodiment, the region 310 functions as a diode connection to the ACS 308, which prevents positive current flow into the ACS 308 (and also prevents positive current flow into the body 312) under particular bias conditions, as described below in more detail.

FIG. 3B is an alternative top view of the ACC SOI NMOSFET 300 of FIG. 3A, illustrating the ACC NMOSFET 300 without its gate contact 301, gate 302, and gate oxide being visible. This view allows the body 312 to be visible. FIG. 3B shows the coupling of the ACS 308 to one end of the body 312. In one embodiment, the body 312 and the ACS 308 comprise a combined P- region that may be produced by a single ion-implantation step. In another embodiment, the body 312 and ACS 308 comprise separate P- regions that are coupled together.

As is well known to those skilled in the electronic device design arts, in other embodiments, the ACC NMOSFET 300 of FIGS. 3A and 3B can be implemented as an ACC PMOSFET simply by reversing the dopant materials used to implement the various FET component regions (i.e., replace p-type dopant material with n-type dopant material, and vice versa). More specifically, in an ACC PMOSFET, the source and drain comprise P+ regions, and the body comprises an N- region. In this embodiment, the ACS 308 also comprises an N- region. In some embodiments of the ACC PMOSFET, the region 310 may comprise an N+ region. In other embodiments of the ACC PMOSFETs, the region 310 comprises a P+ region, which functions as a diode connection to the ACS 308 and thereby prevents current flow into the ACS 308 under particular bias conditions.

Prior Art Body Contacts Distinguished from the Disclosed ACS

According to the present disclosure, the ACS 308 used to implement ACC SOI MOSFETs includes novel features in structure, function, operation and design that distinguish it from the so-called "body contacts" (also sometimes referred to as "body ties", usually when the "body contact" is directly connected to the source) that are well known in the prior art.

Exemplary references relating to body contacts used in prior art SOI MOSFETs include the following: (1) F.

Hameau and O. Rozeau, Radio-Frequency Circuits Integration Using CMOS SOI 0.25 μm Technology," 2002 RF IC Design Workshop Europe, 19-22 Mar. 2002, Grenoble, France; (2) J. R. Cricci et al., "Silicon on Sapphire MOS Transistor," U.S. Pat. No. 4,053,916, Oct. 11, 1977; (3) O. Rozeau et al., "SOI Technologies Overview for Low-Power Low-Voltage Radio-Frequency Applications," Analog Integrated Circuits and Signal Processing, 25, pp. 93-114, Boston, Mass., Kluwer Academic Publishers, November 2000; (4) C. Tinella et al., "A High-Performance CMOS-SOI Antenna Switch for the 2.5-5-GHz Band," IEEE Journal of Solid-State Circuits, Vol. 38, No. 7, July, 2003; (5) H. Lee et al., "Analysis of body bias effect with PD-SOI for analog and RF applications," Solid State Electron., Vol. 46, pp. 1169-1176, 2002; (6) J.-H. Lee, et al., "Effect of Body Structure on Analog Performance of SOI NMOSFETs," Proceedings, 1998 IEEE International SOI Conference, 5-8 Oct. 1998, pp. 61-62; (7) C. F. Edwards, et al., "The Effect of Body Contact Series Resistance on SOI CMOS Amplifier Stages," IEEE Transactions on Electron Devices, Vol. 44, No. 12, December 1997 pp. 2290-2294; (8) S. Maeda, et al., "Substrate-bias Effect and Source-drain Breakdown Characteristics in Body-tied Short-channel SOI MOSFET's," IEEE Transactions on Electron Devices, Vol. 46, No. 1, Jan. 1999 pp. 151-158; (9) F. Assaderaghi, et al., "Dynamic Threshold-voltage MOSFET (DTMOS) for Ultra-low Voltage VLSI," IEEE Transactions on Electron Devices, Vol. 44, No. 3, March 1997, pp. 414-422; (10) G. O. Workman and J. G. Fossum, "A Comparative Analysis of the Dynamic Behavior of BTG/SOI MOSFETs and Circuits with Distributed Body Resistance," IEEE Transactions on Electron Devices, Vol. 45, No. 10, October 1998 pp. 2138-2145; and (11) T.-S. Chao, et al., "High-voltage and High-temperature Applications of DTMOS with Reverse Schottky Barrier on Substrate Contacts," IEEE Electron Device Letters, Vol. 25, No. 2, February 2004, pp. 86-88.

As described herein, applications such as RF switch circuits, may use SOI MOSFETs operated with off-state bias voltages, for which accumulated charge may result. The SOI MOSFETs are defined herein as operating within the accumulated charge regime when the MOSFETs are biased in the off-state, and when carriers having opposite polarity to the channel carriers are present in the channel regions of the MOSFETs. In some embodiments, the SOI MOSFETs may operate within the accumulated charge regime when the MOSFETs are partially depleted yet still biased to operate in the off-state. Significant benefits in improving nonlinear effects on source-drain capacitance can be realized by removing or otherwise controlling the accumulated charge according to the present teachings. In contrast to the disclosed techniques, none of the cited prior art teach or suggest ACS methods and apparatuses that are uniquely useful for removing or controlling accumulated charge. Nor are they informed regarding problems caused by the accumulated charge such as nonlinear effects on the off-state source-drain capacitance C_{off} . Consequently, the prior art body contacts described in the references cited above differ greatly (in structure, function, operation and design) from the ACSs described with reference to FIGS. 3A-4D.

In one example, the ACS 308 operates effectively to remove or otherwise control the accumulated charge from the SOI NMOSFET 300 using a high impedance connection to and throughout the body 312. High impedance ACSs may be used because the accumulated charge 120 is primarily generated by phenomena (e.g., thermal generation) that take a relatively long period of time to produce significant accumulated charge. For example, a typical time period for

producing non-negligible accumulated charge when the NMOSFET operates in the accumulated charge regime is approximately a few milliseconds or greater. Such relatively slow generation of accumulated charge corresponds to very low currents, typically less than 100 nA/mm of transistor width. Such low currents can be effectively conveyed even using very high impedance connections to the body. According to one example, the ACS 308 is implemented with a connection having a resistance of greater than 10^6 ohms. Consequently, the ACS 308 is capable of effectively removing or otherwise controlling the accumulated charge 120 even when implemented with a relatively high impedance connection, relative to the low impedance prior art body contacts.

In stark contrast, the prior art teachings of body contacts described in the references cited above require low impedance (high efficiency) access to the body regions of SOI MOSFETs for proper operation (see, e.g., references (3), (6), and (7) above). A principal reason for this requirement is that the prior art body contacts are primarily directed to reducing the adverse effects on SOI MOSFET functions caused by much faster and more effective electron-hole pair generation processes than occur when the FET is operated in the accumulated charge regime. For example, in some prior art MOSFETs not operated in the accumulated charge regime, electron-hole pair carriers are generated as a result of impact ionization. Impact ionization produces electron-hole pairs at a much faster rate than occurs when the FET is operated in the accumulated charge regime.

The relative rates for electron-hole pair generation by impact ionization versus the pair generation processes causing accumulated charge can be estimated from the roll-off frequencies for the two phenomena. For example, reference (3) cited above indicates roll-off frequencies for impact ionization effects in the range of 10^5 Hz. In contrast, a roll-off frequency for the accumulated charge effects has been observed to be in the range of 10^3 Hz or less, as indicated by recovery times for odd harmonics. These observations indicate that the ACS 308 can effectively control accumulated charge using an impedance that is at least 100 times larger than required of prior art body contacts used in controlling impact ionization charge, for example. Further, because impact ionization primarily occurs when the SOI MOSFET operates in an on-state, the effects of impact ionization can be amplified by on-state transistor operation. Low impedance body contacts to and throughout a body region is even more critical in these environments in order to control the effects of impact ionization under the on-state conditions.

In stark contrast, the ACS 308 of the present teachings removes or otherwise controls the accumulated charge only when the ACC SOI MOSFET operates in the accumulated charge regime. By definition, the FET is in the off-state in this regime, so there is no requirement to remove impact ionization as amplified by an on-state FET. Therefore, a high impedance ACS 308 is perfectly adequate for removing the accumulated charge under these operating conditions. The prior art requirements for low impedance body connections results in numerous problems of implementation that are overcome by the present teachings, as described below in more detail.

In addition, the ACS 308 may be implemented with much lower source-to-drain parasitic capacitance as compared to the body contacts of the prior art. The above-described low impedance connection to the SOI MOSFET body required of the prior art body contacts necessitates proximity of the contacts to the entire body. This may require a plurality body

contact “fingers” that contact the body at different locations along the body. The low impedance connection to the body also necessitates proximity of the prior art body contacts to the source and drain. Because of parasitic capacitances produced by such body contacts, the cited prior art refer-
 5 ences teach away from the use of such structures for many high frequency applications such as RF. In stark contrast, the ACS 308 of the present disclosure may be positioned away from the source 304, the body 312, and the drain 306, as shown in FIGS. 3A and 3B, thereby eliminating or greatly
 10 reducing parasitic capacitances caused by a more proximate positioning of the ACS 308 relative to the source drain and body. Further, the ACS 308 may be implemented in SOI MOSFETs operated with a depleted channel. In general, the cited prior art references teach away from the use of body
 15 contacts for this environment (see, e.g., reference (3), cited above).

Further, because impact ionization hole currents are much larger (in the range of 5,000 nA per mm body width) than for accumulated charge generation (less than approximately 100
 20 nA per mm body width), the prior art does not teach how to effectively implement very large body widths (i.e., much greater than approximately 10 μm). In contrast, the ACS 308 of the present disclosed device may be implemented in SOI
 25 MOSFETs having relatively large body widths. This provides improvements in on-state conductance and transconductance, insertion loss and fabrication costs, particularly for RF switch devices. According to the prior art teachings cited above, larger body widths adversely affect the efficient
 30 operation of body contacts because their impedances are necessarily thereby increased. Although the cited prior art suggests that a plurality of fingers may be used to contact the body at different locations, the plurality of fingers adversely affects parasitic source-to-drain capacitances, as described
 35 above.

For these reasons, and for the reasons described below in more detail, the present disclosure provides novel MOSFET devices, circuits and methods that overcome the limitations according to the prior art teachings as cited above.

FIG. 3C is a cross-sectional perspective schematic of an
 40 ACC SOI NMOSFET 300' adapted to control accumulated charge in accordance with the disclosed method and apparatus. In the example shown in FIG. 3C, the ACC NMOSFET 300' includes four terminals that provide electrical connection to the various FET component regions. In one
 45 embodiment, the terminals provide means for connecting external integrated circuit (IC) elements (such as metal leads, not shown) to the various FET component regions. Three of the terminals shown in FIG. 3C are typically available in prior art FET devices. For example, as shown in
 50 FIG. 3C, the ACC NMOSFET 300' includes a gate terminal 302' that provides electrical connection to the gate 302. Similarly, the ACC NMOSFET 300' includes source and drain terminals 304', 306' that provide electrical connection to the source 304 and drain 306, respectively. As is well
 55 known in the electronic design arts, the terminals are coupled to their respective FET component regions (i.e., gate, drain and source) via so-called “ohmic” (i.e., low resistance) contact regions. The manufacturing and structural details associated with the coupling of the various FET
 60 terminals to the FET component regions are well known in the art, and therefore are not described in more detail here.

As described above with reference to FIGS. 3A and 3B, the ACC NMOSFET 300' is adapted to control accumulated
 65 charge when the NMOSFET operates in the accumulated charge regime. To this end, in the exemplary embodiment shown in FIG. 3C, the ACC NMOSFET 300' includes a

fourth terminal that provides electrical connection to the
 body 312, and thereby facilitates reduction (or other control) of the accumulated charge when the FET 300' operates in the accumulated charge regime. More specifically, and referring
 5 again to FIG. 3C, the ACC NMOSFET includes a “body” terminal, or Accumulated Charge Sink (ACS) terminal 308'. The ACS terminal 308' provides an electrical connection to the ACS 308 (not shown in FIG. 3C, but shown in FIGS. 3A and 3B) and to the body 312. Although the ACS terminal
 10 308' is shown in FIG. 3C as being physically coupled to the body 312, those skilled in the electronic design arts shall understand that this depiction is for illustrative purposes only. The direct coupling of the ACS terminal 308' to the
 15 body 312 shown in FIG. 3C illustrates the electrical connectivity (i.e., not the physical coupling) of the terminal 308' with the body 312. Similarly, the other terminals (i.e., terminals 302', 304' and 306') are also shown in FIG. 3C as being physically coupled to their respective FET component
 20 regions. These depictions are also for illustrative purposes only.

In most embodiments, as described above with reference to FIGS. 3A-3B, and described further below with reference to FIGS. 3D-3I, the ACS terminal 308' provides the electrical connection to the body 312 via coupling to the ACS 308
 25 via the region 310. However, the present disclosure also contemplates embodiments where the coupling of the ACS terminal 308' is made directly to the body 312 (i.e., no intermediate regions exist between the ACS terminal and the body).

In accordance with the disclosed method and apparatus, when the ACC NMOSFET 300' is biased to operate in the
 30 accumulated charge regime (i.e., when the ACC NMOSFET 300' is in the off-state, and there is an accumulated charge 120 of P polarity (i.e., holes) present in the channel region of the body 312), the accumulated charge is removed or otherwise controlled via the ACS terminal 308'. When accumulated charge 120 is present in the body 312, the
 35 charge 312 can be removed or otherwise controlled by applying a bias voltage (V_b (for “body”) or V_{ACS} (ACS bias voltage)) to the ACS terminal 308'. In general, the ACS bias voltage V_{ACS} applied to the ACS terminal 308' may be selected to be equal to or more negative than the lesser of the source bias voltage V_s and drain bias voltage V_d . More specifically, in some embodiments, the ACS terminal 308'
 40 can be coupled to various accumulated charge sinking mechanisms that remove (or “sink”) the accumulated charge when the FET operates in the accumulated charge regime. Several exemplary accumulated charge sinking mechanisms and circuit configurations are described below with refer-
 45 ence to FIGS. 4A-5D.

Similar to the prior art NMOSFET 100 described above with reference to FIG. 1, the ACC SOI NMOSFET 300' of
 50 FIG. 3C can be biased to operate in the accumulated charge regime by applying specific bias voltages to the various terminals 302', 304', and 306'. In one exemplary embodiment, the source and drain bias voltages (V_s and V_d , respectively) are zero (i.e., the terminals 304' and 306' are connected to ground). In this example, if the gate bias
 55 voltage (V_g) applied to the gate terminal 302' is sufficiently negative with respect to the source and drain bias voltages, and with respect to V_{th} (for example, if V_{th} is approximately zero, and if V_g is more negative than approximately -1 V), the ACC NMOSFET 300' operates in the off-state. If the ACC NMOSFET 300' continues to be biased in the off-state,
 60 the accumulated charge (holes) will accumulate in the body 312. Advantageously, the accumulated charge can be removed from the body 312 via the ACS terminal 308'. In

some embodiments, as described below in more detail with reference to FIG. 4B, the ACS terminal **308'** is coupled to the gate terminal **302'** (thereby ensuring that the same bias voltages are applied to both the gate (Vg) and the body (shown in FIG. 3C as "Vb" or " V_{ACS} ").

However, those skilled in the electronics design arts shall appreciate that a myriad of bias voltages can be applied to the four device terminals while still employing the techniques of the present disclosed method and apparatus. As long as the ACC SOI NMOSFET **300'** is biased to operate in the accumulated charge regime, the accumulated charge can be removed or otherwise controlled by applying a bias voltage V_{ACS} to the ACS terminal **308'**, and thereby remove the accumulated charge from the body **312**.

For example, in one embodiment wherein the ACC NMOSFET **300'** comprises a depletion mode device, V_{th} is negative by definition. In this embodiment if both the Vs and Vd bias voltages comprise zero volts (i.e., both terminals tied to circuit ground node), and a gate bias Vg applied to the gate terminal **302'** is sufficiently negative to V_{th} (for example, Vg is more negative than approximately -1 V relative to V_{th}), holes may accumulate under the gate oxide **110** thereby becoming the accumulated charge **120**. In this example, in order to remove the accumulated holes (i.e., the accumulated charge **120**) from the FET body **312**, the voltage V_{ACS} applied to the ACS **308** may be selected to be equal to or more negative than the lesser of Vs and Vd.

In other examples, the source and drain bias voltages, Vs and Vd, respectively, may comprise voltage other than zero volts. According to these embodiments, the gate bias voltage Vg must be sufficiently negative to both Vs and Vd (in order for Vg to be sufficiently negative to V_{th} , for example) in order to bias the NMOSFET in the off-state. As described above, if the NMOSFET is biased in the off-state for a sufficiently long time period (approximately 1-2 ms, for example) an accumulated charge will accumulate under the gate oxide. In these embodiments, as noted above, in order to remove the accumulated charge **120** from the body **312**, the ACS bias voltage V_{ACS} applied to the ACS terminal **308'** may be selected to be equal to or more negative than the lesser of Vs and Vd.

It should be noted that, in contrast to the examples described above, the prior art body contacts are implemented largely for purposes of mitigating the adverse effects caused by impact ionization. Consequently, the prior art body contacts are typically tied to the source of the MOSFET. In order to effectively control, reduce, or entirely remove the accumulated charge in an NMOSFET, V_{ACS} should, in the exemplary embodiments, be equal to or more negative than the lesser of Vs and Vd. Those skilled in the electronic device design arts shall appreciate that different Vs, Vd, Vg and V_{ACS} bias voltages may be used when the ACC MOSFET comprises a PMOSFET device. Because the prior art body contacts are typically tied to the source, this implementation cannot be effected using the prior art body contact approach.

FIG. 3D is a simplified schematic diagram of a top view of an ACC SOI NMOSFET **300''** adapted to control accumulated charge **120** (FIG. 1) in accordance with the present disclosure. FIG. 3D shows the ACC NMOSFET **300''** without its gate contact **301**, gate **302**, and gate oxide being visible. The ACC NMOSFET **300''** of FIG. 3D is very similar in design to the ACC NMOSFET **300** described above with reference to FIGS. 3A and 3B. For example, similar to the ACC NMOSFET **300**, the ACC NMOSFET **300''** includes a source **304** and drain **306** comprising N+ regions. The ACC NMOSFET **300''** also includes an accu-

mulated charge sink (ACS) **308** comprising a P- region. As shown in FIG. 3D, the P- region that comprises the ACS **308** abuts (i.e., is directly adjacent) the body **312**, which also comprises a P- region. Similar to the ACC NMOSFET **300**, the ACC NMOSFET **300''** includes a region **310** that provides electrical connection to the ACS **308**. As noted above, in some embodiments, the region **310** comprises a P+ region. In another embodiment, the region **310** may comprise an N+ region (which thereby prevents positive current flow into the body **312** as noted above). As shown in FIG. 3D, the region **310** is formed in the ACC NMOSFET **300''** directly adjacent the ACS **308**. The ACC SOI NMOSFET **300''** functions to control accumulated charge similarly to the operation of the ACC NMOSFETs described above with reference to FIGS. 3A-3C.

FIG. 3E is a simplified schematic diagram of a top view of an ACC SOI NMOSFET **300'** adapted to control accumulated charge in accordance with the present disclosure. The ACC NMOSFET **300'''** is very similar in design and function to the ACC NMOSFETs described above with reference to FIGS. 3A-3D. FIG. 3E shows a dashed cross-sectional view line A-A' taken along the approximate center of the NMOSFET **300'''**. This cross-sectional view is used herein to describe structural and performance characteristics of some exemplary prior art MOSFETs and some embodiments of the ACC NMOSFET that may occur as a result of the fabrication processes. Details of this cross-sectional view A-A' are now described with reference to FIG. 3F.

View line A-A' slices through the following component regions of the ACC NMOSFET **300'''**: the P+ region **310**, the ACS **308** (shown in FIG. 3E, but not shown in FIG. 3F), a P+ overlap region **310'**, a gate oxide **110**, and a poly-silicon gate **302**. In some embodiments, during the fabrication process, when the region **310** is doped with p-type dopant material, proximate the P- body region, some additional P+ doping may be implanted (i.e., the p-type dopant material may overlap) into the P+ overlap region **310'** of the poly-silicon gate **302**. In some embodiments, such overlapping is intentionally performed to ensure that all of the gate oxide **110** is completely covered by the P+ region (i.e., to ensure that no gap exists on the edge of the oxide **110** between the gate **302** and the P+ region **310**). This, in turn, aids in providing a minimum impedance connection between the P+ region **310** and the body **312**.

Although the present teachings encompass such embodiments described above, those skilled in the electronic device design and manufacturing arts shall recognize that such low-resistance connections are not required. Therefore, the disadvantages associated with the embodiment shown in FIGS. 3G and 3G-1, as described below in more detail, can be overcome by using other embodiments described herein (for example, the embodiments **300** and **300'''** described below with reference to FIGS. 3F-1 and 3H, respectively), in which gaps are intentionally implemented between the P+ region **310** and the body **312**. In one exemplary embodiment, the P+ overlap region **320** overlaps the oxide **110** by approximately 0.2-0.7 microns. Those skilled in the MOSFET design and manufacturing arts shall appreciate that other overlap region dimensions can be used in practicing the present disclosed method and apparatus. In some embodiments, as shown in FIG. 3F, the remaining area over the gate oxide **110** and over the P- body is doped with n-type dopant material (i.e., it comprises an N+ region).

Owing to the presence of the P+ overlap region **310'** over the gate oxide **110**, over the body **312**, and proximate an edge **340** of the poly-silicon gate **302**, an increased threshold voltage is created in one region of the NMOSFET **300'''**.

More specifically, due to the P+ doping (in the overlap region 310') proximate the edge 340 of the gate 302 over the channel region of the body 312, a higher magnitude threshold voltage is created in that portion of the MOSFET 300". The effects of the increased threshold voltage are now described in more detail with reference to FIG. 3G.

FIG. 3G-1 is a schematic plot of the inversion channel charge vs. applied gate voltage of an ACC NMOSFET illustrating one effect of the above described increased threshold voltage that can occur in prior art MOSFETs and in some embodiments of the present ACC NMOSFETs due to manufacturing processes. As described below in more detail, the increased magnitude threshold voltage shown in FIG. 3G also occurs in prior art designs because of the proximity of body ties to the FET body. As described below with reference to the embodiment of FIG. 3H, for example, the present disclosed method and apparatus can be used to reduce or eliminate the increased threshold voltage found in the prior art SOI MOSFET designs.

FIG. 3G shows one embodiment of the ACC NMOSFET without its gate contact, gate, and gate oxide being visible. The MOSFET region of increased threshold voltage described above with reference to FIGS. 3E and 3F is shown in FIG. 3G as occurring in the region encompassed by the ellipse 307. As will be well understood by those skilled in the electronic design and manufacturing arts, for the reasons set forth above with reference to FIGS. 3E and 3F, due to the increased threshold voltage, the region 307 of the ACC MOSFET shown in FIG. 3G effectively inverts after the rest of the ACC MOSFET channel region.

The threshold voltage increase can be reduced by reducing the size of the region 307. Eliminating the region 307 will eliminate the threshold voltage increase. Because the threshold voltage increase can increase harmonic and intermodulation distortion of the "on" MOSFET, eliminating this effect improves device performance.

In one exemplary embodiment, as shown, for example in the embodiments of the ACC NMOSFET 300 described above with reference to FIGS. 3A and 3B, and as described below in more detail with reference to the cross-sectional view of the ACC MOSFET 300 of FIG. 3F-1, the detrimental effects associated with threshold voltage increase are mitigated or overcome by positioning the P+ region 310 a selected distance away from an edge of the poly-silicon gate 302. This approach is shown both in the top view of the ACC MOSFET 300 of FIG. 3A, and in the cross-sectional view of the ACC MOSFET 300 shown in FIG. 3F-1. As shown in the cross-sectional view of the ACC MOSFET 300 of FIG. 3F-1, the P+ region 310 does not extend all the way to the edge 340 of the poly-silicon gate 302. This is in stark contrast to the embodiment 300" shown in FIG. 3F, where the P+ region 310' extends all the way to the gate edge 340. By positioning the P+ region 310 a distance away from the gate edge 340 as shown in the embodiment 300 of FIG. 3F-1, no P+ region is positioned proximate the poly-silicon gate 302 (i.e., there is no P+ region present in the poly-silicon gate 302). This configuration of the P+ region 310 eliminates or greatly reduces the threshold voltage increase problems described above. As described above with reference to FIGS. 3A and 3B, and with reference to the comparisons to the prior art body contact references, the relatively high impedance of the ACS 308 P- region (shown in FIG. 3A) between the P+ region 310 and the gate 302 does not adversely affect the performance of the ACC NMOSFET 300. As described above, the accumulated charge can be effectively removed even using a relatively high impedance ACS connection.

In another exemplary embodiment, as described below with reference to FIG. 3H, threshold voltage increase is removed by positioning the P+ region 310 (and the ACS 308) a distance away from the body 312. Because the electrical connectivity between the ACS 308 and the body 312 has relatively high impedance when the small region of P+ 310 is positioned a distance away from the body 312, this approach is never taught or suggested by the body contact prior art references (which require low impedance contacts as described above). This improved embodiment is described next with reference to FIG. 3H.

FIG. 3H is a simplified top view schematic of another embodiment of an ACC SOI NMOSFET 300" adapted to control accumulated charge and configured in a "T-gate" configuration. FIG. 3H shows the ACC NMOSFET 300" without its gate contact 301, gate 302, and gate oxide being visible. As shown in FIG. 3H, the ACC NMOSFET 300" includes a small P+ region 310 conjoined to an ACS 308. As shown in FIG. 3H, the P+ region 310 (and thus the ACS external electrical connection) is disposed a selected distance away from the body 312. The total impedance of the electrical connection from the body 312, through the ACS 308, and to the P+ region 310 is increased by positioning the P+ region 310 a selected distance away from the body 312. However, as described above, the present ACC NMOSFET 300" works perfectly well to remove accumulated charge even using relatively high impedance ACS connections. For the reasons described above with reference to FIGS. 3A and 3B, due to the nature of the accumulated charge when the NMOSFET 300" operates in the accumulated charge regime, the ACC NMOSFET 300" does not require low impedance ACS electrical connections in order to remove accumulated charge from the body 312. Rather, an ACS connection of relatively large impedance may be used in practicing the present teachings, with corresponding improvements in NMOSFET performance as described above (e.g., reductions in parasitic capacitance as compared with prior art low impedance body contacts). However, in other embodiments, if desired, a low impedance ACS connection may be used to practice the disclosed method and apparatus for use in improving linearity characteristics of SOI MOSFETs.

Moreover, as described above with reference to FIG. 3G, the embodiment of FIG. 3H improves device performance owing to the fact that the small P+ region 310 is positioned a distance away from the body 312. Because the small P+ region 310 is positioned a distance away from the body 312, the threshold voltage increase is reduced or entirely eliminated, together with the consequent adverse performance effects described above.

FIG. 3I is a simplified top view schematic of another embodiment of an ACC SOI NMOSFET 300" adapted to control accumulated charge and configured in an "H-gate" configuration. FIG. 3I shows the ACC NMOSFET 300" without its gate contact 301, gate 302, and gate oxide being visible. With the exception of some structural differences described herein, the ACC NMOSFET 300" is very similar in design and function to the ACC NMOSFETs described above with reference to FIGS. 3A-3D and 3H. As shown in FIG. 3I, the ACC NMOSFET 300" includes two ACSs, 308 and 308", disposed at opposite ends of the H-gate ACC NMOSFET 300". P+ regions 310 and 310' are formed to abut their respective ACSs, 308 and 308", and provide electrical contact thereto. In accordance with the disclosed method and apparatus, as described above, when the ACC NMOSFET 300" is biased to operate in the accumulated

charge regime, the accumulated charge is removed or otherwise controlled via the two ACSs **308** and **308'**.

It shall be understood by those skilled in the electronic device design arts that although the illustrated embodiment shows the ACSs **308** and **308'** extending approximately the entire width of the ACC NMOSFET **300'**, the ACSs **308** and **308'** may also comprise much narrower (or wider) regions, and still function perfectly well to remove or otherwise control the accumulated charge. Also, in some embodiments, it is not necessary that the impedance of the ACS **308** matches the impedance of the ACS **308'**. It will further be understood by the skilled person that the ACSs **308** and **308'** may comprise different sizes and configurations (i.e., rectangular, square, or any other convenient shape), and may also be positioned at various distances away from the body **312** (i.e., not necessarily the same distance away from the body **312**). As described above with reference to FIG. 3H, when the ACS **308** is positioned a selected distance away from the body **312**, the problems associated with threshold voltage increase are reduced or eliminated. Four-Terminal ACC MOSFET Devices—Simple Circuit Configurations

The SOI NMOSFET **300** of FIGS. 3A and 3B may be implemented as a four terminal device, as illustrated schematically in FIG. 4A. As shown in the improved ACC SOI NMOSFET **300** of FIG. 4A, a gate terminal **402** is electrically coupled to the gate contact **301** (e.g., FIG. 3A) and is analogous to the gate terminal **302'** shown in FIG. 3C. The gate contact **301** is electrically coupled to the gate **302** (e.g., FIGS. 3A and 3C). Similarly, a source terminal **404** is electrically coupled to the source **304** (e.g., FIGS. 3A-3C) and is analogous to the source terminal **304'** of FIG. 3C. Similarly, a drain terminal **406** is electrically coupled to the drain **306** (e.g., FIGS. 3A-3C) and is analogous to the drain terminal **306'** of FIG. 3C. Finally, the ACC NMOSFET **300** includes an ACS terminal **408** that is electrically coupled to the ACS **308** (e.g., see FIGS. 3A-3B, and FIGS. 3D, 3H-3I) via the region **310**. Those skilled in the electronic design and manufacturing arts shall understand that the region **310** may be used in some embodiments to facilitate electrical coupling to the ACS **308** because, in some embodiments, it may be difficult to make a direct contact to a lightly doped region (i.e., the ACS **308**). The ACS terminal **408** is analogous to the ACS terminal **308'** shown in FIG. 3C.

The ACC SOI NMOSFET **300** of FIG. 4A may be operated using various techniques and implemented in various circuits in order to control accumulated charge present in the FET when it is operating in an accumulated charge regime. For example, in one exemplary embodiment as shown in FIG. 4B, the gate and ACS terminals, **402** and **408**, respectively, are electrically coupled together. In one embodiment of the simplified circuit shown in FIG. 4B, the source and drain bias voltages applied to the terminals **404** and **406**, respectively, may be zero. If the gate bias voltage (V_g) applied to the gate terminal **402** is sufficiently negative with respect to the source and drain bias voltages applied to the terminals **404** and **406**, and with respect to the threshold voltage V_{th} , (for example, if V_{th} is approximately zero, and if V_g is more negative than approximately -1 V) the ACC NMOSFET **300** operates in the accumulated charge regime. As described above with reference to FIG. 3C, for example, when the MOSFET operates in this regime, accumulated charge (holes) may accumulate in the body of the NMOSFET **300**.

Advantageously, the accumulated charge can be removed via the ACS terminal **408** by connecting the ACS terminal **408** to the gate terminal **402** as shown. This configuration

ensures that when the FET **300** is in the off-state, it is held in the correct bias region to effectively remove or otherwise control the accumulated charge. As shown in FIG. 4B, connecting the ACS terminal **408** to the gate ensures that the same bias voltages are applied to both the gate (V_g) and the body (shown in FIG. 3C as " V_b " or " V_{ACS} "). Because the bias voltage V_{ACS} is the same as the gate voltage V_g in this embodiment, the accumulated charge is no longer trapped below the gate oxide (by attraction to the gate bias V_g) because it is conveyed to the gate terminal **402** via the ACS terminal **408**. The accumulated charge is thereby removed from the body via the ACS terminal **408**.

In other exemplary embodiments, as described above with reference to FIG. 3C, for example, V_s and V_d may comprise nonzero bias voltages. According to these examples, V_g must be sufficiently negative to both V_s and V_d in order for V_g to be sufficiently negative to V_{th} to turn the NMOSFET **300** off (i.e., operate the NMOSFET **300** in the off-state). When so biased, as described above, the NMOSFET **300** may enter the accumulated charge regime and thereby have accumulated charge present in the body. For this example, the voltage V_{ACS} may also be selected to be equal to V_g by connecting the ACS terminal **408** to the gate terminal **402**, thereby conveying the accumulated charge from the body of the ACC NMOSFET, as described above.

In another exemplary embodiment, as described above, the ACC NMOSFET **300** comprises a depletion mode device. In this embodiment, the threshold voltage, V_{th} is, by definition, less than zero. For V_s and V_d both at zero volts, when a gate bias V_g sufficiently negative to V_{th} is applied to the gate terminal **402** (for example, V_g more negative than approximately -1 V relative to V_{th}), holes may accumulate under the gate oxide and thereby comprise an accumulated charge. For this example, the voltage V_{ACS} may also be selected to be equal to V_g by connecting the ACS terminal **408** to the gate terminal **402**, thereby conveying the accumulated charge from the ACC NMOSFET as described above.

In some embodiments of the improved ACC SOI NMOSFET **300**, such as that described above with reference to FIG. 4B, when the FET is biased on, diodes formed at the edge of the device (such as described above with reference to the interface between the ACS **308** and the drain **304** (and the source **306**) as shown in FIG. 3D) may become forward biased thereby allowing current to flow into the source and drain regions. In addition to wasting power, this may introduce nonlinearity into the NMOSFET. The nonlinearity results because the current that flows as a result of the forward biased interface diodes comprises nonlinear current. As V_{gs} and V_{gd} are reduced in that region of the device, the on resistance R_{on} at the edge of the device is increased. As is well known, and for the reasons set forth above, if the interface diodes formed at the edge of the device become forward biased, the device on-state characteristics are consequently dramatically adversely affected. Those skilled in the electronic device design arts shall understand that the configuration shown in FIG. 4B limits application of a gate bias voltage V_{gs} to approximately 0.7 Volts. The simplified circuit shown in FIG. 4C can be used to overcome these problems.

Another exemplary simplified circuit using the improved ACC SOI NMOSFET **300** is shown in FIG. 4C. As shown in FIG. 4C, in this embodiment, the ACS terminal **408** may be electrically coupled to a diode **410**, and the diode **410** may, in turn, be coupled to the gate terminal **402**. This embodiment may be used to prevent a positive current flow into the MOSFET body **312** caused by a positive V_g -to- V_s

(or, equivalently, V_{gs} , where $V_{gs}=V_g-V_s$) bias voltage, as may occur, for example, when the SOI NMOSFET **300** is biased into an on-state condition.

As with the device shown in FIG. **4B**, when biased off, the ACS terminal voltage V_{ACS} comprises the gate voltage plus a voltage drop across the diode **410**. At very low ACS terminal current levels, the voltage drop across the diode **410** typically also is very low (e.g., $\ll 100$ mV, for example, for a typical threshold diode). The voltage drop across the diode **410** can be reduced to approximately zero by using other diodes, such as a 0Vf diode, for example. In one embodiment, reducing the voltage drop across the diode is achieved by increasing the diode **410** width. Additionally, maintaining the ACS-to-source or ACS-to-drain voltage (whichever bias voltage of the two bias voltages is lower) increasing negative, also improves the linearity of the ACC MOSFET device **300**.

When the SOI NMOSFET **300** is biased in an on condition, the diode **410** is reverse-biased, thereby preventing the flow of positive current into the source and drain regions. The reverse-biased configuration reduces power consumption and improves linearity of the device. The circuit shown in FIG. **4C** therefore works well to remove accumulated charge from the ACC MOSFET body when the FET is in the off-state and is operated in the accumulated charge regime. It also permits almost any positive voltage to be applied to the gate voltage V_g . This, in turn, allows the ACC MOSFET to effectively remove accumulated charge when the device operates in the off-state, yet assume the characteristics of a floating body device when the device operates in the on-state.

With the exception of the diode **410** used to prevent the flow of positive current into the ACS terminal **408**, exemplary operation of the simplified circuit shown in FIG. **4C** is the same as the operation of the circuit described above with reference to FIG. **4B**.

In yet another embodiment, the ACS terminal **408** may be coupled to a control circuit **412** as illustrated in the simplified circuit of FIG. **4D**. The control circuit **412** may provide a selectable ACS bias voltage V_{ACS} that selectively controls the accumulated charge (i.e., the accumulated charge **120** described above with reference to FIG. **1**). As shown in FIG. **4D**, rather than having a local circuit provide the ACS bias voltage V_{ACS} (e.g., as derived from the gate voltage V_g), in some embodiments the ACS bias voltage V_{ACS} is produced by a separate source that is independent of the ACC MOSFET device **300**. In the case of a switch (as described below in more detail with reference to FIG. **4D-1**), the ACS bias voltage V_{ACS} should be driven from a source having a high output impedance. For example, such a high output impedance source can be obtained using a large series resistor in order to ensure that the RF voltage is divided across the MOSFET and that the ACS bias voltage V_{ACS} has $V_{ds}/2$ "riding" on it, similarly to the gate voltage. This approach is described in more detail below with reference to FIG. **4D-1**.

It may be desirable to provide a negative ACS bias voltage V_{ACS} to the ACS terminal **408** when the SOI NMOSFET **300** is biased into an accumulated charge regime. In this exemplary embodiment, the control circuit **412** may prevent positive current flow into the ACS terminal **408** by selectively maintaining an ACS bias voltage V_{ACS} that is consistently negative with respect to both the source and drain bias voltages. In particular, the control circuit **412** may be used to apply an ACS bias voltage that is equal to or more negative than the lesser of V_s and V_d . By application of such an ACS bias voltage, the accumulated charge is thereby removed or otherwise controlled.

In the exemplary embodiment of the simplified circuit shown in FIG. **4D**, the source and drain bias voltages applied to the terminals **404** and **406**, respectively, may be zero. If the gate bias voltage (V_g) applied to the gate terminal **402** is sufficiently negative with respect to the source and drain bias voltages applied to the terminals **404** and **406**, and with respect to V_{th} , (for example, if V_{th} is approximately zero, and if V_g is more negative than approximately -1 V) the ACC NMOSFET **300** operates in the accumulated charge regime, and the accumulated charge (holes) may accumulate in the body of the ACC NMOSFET **300**. Advantageously, the accumulated charge can be removed via the ACS terminal **408** by connecting the ACS terminal **408** to the control circuit **412** as shown. In order to ensure that the accumulated charge is conveyed from the body of the ACC NMOSFET **300**, the ACS bias voltage V_{ACS} that is applied to the ACS terminal **408** should be equal to or more negative than the gate voltage the lesser of V_s and V_d . Because the accumulated charge **120** is conveyed to the bias voltage V_{ACS} applied to the ACS terminal **408** by the control circuit **412**, the accumulated charge does not remain trapped under the gate oxide due to attraction to the gate bias voltage V_g .

In other embodiments, V_s and V_d may comprise bias voltages that are other than zero. According to these examples, V_g must be sufficiently negative to both V_s and V_d in order for V_g to be sufficiently negative to V_{th} , in order to bias the NMOSFET **300** in the off-state. This allows the accumulation of accumulated charge under the gate oxide. For this example, the ACS bias voltage V_{ACS} may be selected to be equal to or more negative than the lesser of V_s and V_d by connecting the ACS terminal **408** to the control circuit **412** to provide selected ACS bias voltages, thereby conveying the accumulated charge from the ACC NMOSFET **300**.

In other embodiments, if the ACC NMOSFET **300** of FIG. **4D** comprises a depletion mode device, V_{th} is, by definition, less than zero. For V_s and V_d both at zero volts, when a gate bias V_g sufficiently negative to V_{th} is applied (for example, V_g more negative than approximately -1 V relative to V_{th}), holes may accumulate under the gate oxide. For this example, the ACS bias voltage V_{ACS} that is applied to the ACS terminal **408** may also be selected to be equal to or more negative than the lesser of V_s and V_d by connecting the ACS terminal **408** to the control circuit **412** and thereby provide the desired ACS bias voltages V_{ACS} that are necessary to remove the accumulated charge from the ACC NMOSFET **300**.

As described above, in one embodiment, instead of having the control circuit **412** provide a bias to the ACS terminal **408** as shown in FIG. **4D**, the ACS terminal **408** can be driven by a separate bias source circuit, as shown, for example, in the embodiment of FIG. **4D-1**. In one exemplary circuit implementation, as exemplified in the circuit of FIG. **4D-1**, in an RF switch circuit, the separate V_{ACS} source has a high output impedance element **403** which ensures that the RF voltage is divided across the ACC NMOSFET **300**, and which further ensures that the voltage applied to the ACS terminal **408** has $V_{ds}/2$ applied thereon, similar to the voltage V_{gs} that is applied to the gate terminal **402**. In one exemplary embodiment, an inverter **405** is configured in series with the high output impedance element **403** and supplied by GND and $-V_{DD}$. In one exemplary embodiment, $-V_{DD}$ is readily derived from a convenient positive voltage supply. It could, however, comprise an even more negative voltage for improved linearity (i.e., it can be independent of the gate voltage).

In another embodiment, the circuit shown in FIG. 4C can be modified to include a clamping circuit configured in series with an ACS terminal 408. Such an exemplary embodiment is shown in FIG. 4E. Under certain operating conditions, current that flows out of the ACC NMOSFET 300, conveying the accumulated charge from the body of the ACC NMOSFET 300, via the ACS terminal 408 is sufficiently high such that it causes problems in the biasing circuitry (i.e., under some conditions the ACS current is so high that the biasing circuitry cannot adequately sink the current flowing out of the body of the ACC NMOSFET 300). As shown in the circuit of FIG. 4E, one exemplary embodiment solves this problem by interrupting the flow of ACS current out of the body of the ACC NMOSFET 300, and thereby returning the ACC NMOSFET 300 to a floating body condition.

In one exemplary circuit, as shown in FIG. 4E, a depletion-mode FET 421 is configured in series between the ACS terminal 408 and a diode 410. In this exemplary circuit, the depletion-mode FET 421 includes a gate terminal that is electrically connected to the FET's source terminal. In this configuration, the depletion-mode FET 421 functions to clip or limit the current that flows from the ACS terminal 408 when the ACC MOSFET operates in the accumulated charge regime. More specifically, the depletion-mode FET 421 enters saturation upon reaching a predefined threshold. The current leaving the body of the ACC MOSFET is thereby limited by the saturation current of the FET 421. In some embodiments, the predefined saturation threshold may optionally be adjusted to change the point at which clamping occurs, such as by selecting a higher threshold voltage, which results in a lower maximum current and earlier clamping.

In some embodiments, such as for example in an RF switch circuit, the gate terminal 402 and the ACS terminal 408 follow V_{ds} at half the value ($V_{ds}/2$) of V_{ds} . At high V_{ds} excursions, V_{gs} may approach the threshold voltage V_{th} , resulting in increased I_{ds} leakage current. In some cases, such a leakage current exits the ACS terminal 408 and can overwhelm associated circuitry (e.g., a negative voltage generator). Hence, the circuit shown in FIG. 4E solves or otherwise mitigates these problems. More specifically, by coupling the FET 421 in series between the ACS terminal 408 and the diode 410, the current that exits the ACS terminal 408 is limited to the saturation current of the FET 421.

In yet another exemplary embodiment, the simplified circuit shown in FIG. 4C can be modified to include an AC shorting capacitor placed in parallel with the diode 410. The simplified circuit of FIG. 4F can be used to compensate for certain undesirable nonlinearities present in a full circuit application. In some embodiments, due to parasitics present in the MOSFET layout, nonlinearity characteristics existing in the diode 410 of FIG. 4C may introduce undesirable nonlinearities in a full circuit implementation. As the diode is in place to provide DC bias conditions and is not intended to have any AC signals across it, it may be desirable in some embodiments to take steps to mitigate the effects of any AC signal present across the diode 410.

As shown in the simplified circuit of FIG. 4F, the circuit of FIG. 4C has been modified to include an AC shorting capacitor 423 wherein the AC shorting capacitor 423 is configured in parallel across the diode 410. The AC shorting capacitor 423 is placed in parallel with the diode 410 to ensure that nonlinearities of the diode 410 are not excited by an AC signal. In some exemplary circuits, such as in an RF switch, the AC shorting capacitor 423 does not impact the

higher level full circuit, as the gate terminal 402 and the ACS terminal 408 typically have the same AC signal applied (i.e., AC equipotential).

In some circuit embodiments, body nodes of a multi-finger FET implementation may be connected to one another (using, for example, metal or silicon), overlapping the source fingers. On another side of the FET implementation, gate nodes may be connected to one another (using, for example, metal or silicon) overlapping the drain fingers. As a result of this FET implementation, additional capacitance may result between the source and body (S-B), and further additional capacitance may result between the drain and gate (D-G). These additional capacitances may degrade the symmetry of the intrinsic device. Under AC excitation, this results in the gate terminal following the drain terminal more closely, and the body terminal following the source terminal more closely, which effectively creates an AC signal across the diode 410, which can excite nonlinearities of the diode 410 as described above. Using the exemplary embodiment shown in FIG. 4F, parasitic nonlinear excitation due to the overlapping fingers is mitigated.

Improved C_{off} Performance Characteristics of ACC MOSFETs Made in Accordance with the Present Disclosed Method and Apparatus

FIG. 4G is a plot 460 of the off-state capacitance (C_{off}) versus an applied drain-to-source voltage of an SOI MOSFET when an AC signal is applied to the MOSFET. In one embodiment, a gate voltage equals $-2.5 \text{ Volts} + V_d/2$, and V_s equals 0. A first plot 462 shows the off-state capacitance C_{off} of a typical prior art NMOSFET operating within the accumulated charge regime and thereby having an accumulated charge as described above with reference to FIG. 1. As shown in FIG. 4G, the off-state capacitance C_{off} shown in plot 462 of the prior art FET is voltage-dependent (i.e., it is nonlinear) and peaks when $V_d=0$ Volts. A second plot 464 illustrates the off-state capacitance C_{off} of an improved ACC SOI MOSFET made in accordance with the present teachings, wherein the accumulated charge is conveyed from the ACC MOSFET, thereby reducing, controlling and/or eliminating the accumulated charge from the ACC MOSFET body. As shown in FIG. 4G, the off-state capacitance C_{off} shown in plot 464 of the ACC SOI MOSFET is not voltage-dependent (i.e., it is linear).

As described above with reference to FIG. 2A, by controlling, reducing or eliminating the accumulated charge, the impedance 212 of the NMOSFET body 312 (FIG. 3C, and shown as the MOSFET body 114 in the electrical model of FIG. 2A) is increased to a very large value. This increase in the impedance 212 of the MOSFET body reduces the contribution to C_{off} caused by the impedance of the junctions 218 and 220 (FIG. 2A), thereby reducing the overall magnitude of C_{off} and the nonlinear effects associated with the impedances of the junctions 218 and 220. Plot 464 illustrates how the present teachings advantageously reduce both the nonlinearity and overall magnitude of the off-state capacitance C_{off} of the MOSFET. The reduced nonlinearity and magnitude of the off-state capacitance C_{off} improves the performance of circuits using MOSFETs operating in an accumulated charge regime, such as RF switching circuits. Exemplary RF switching circuits implemented with the ACC MOSFETs described above with reference to FIGS. 4A-4F are now described with reference to FIGS. 5A-5D. Exemplary Improved Performance RF Switch Implementations Using ACC SOI MOSFETs in Accordance with the Present Teachings

FIG. 5A shows a schematic diagram of a single pole, single throw (SPST) RF switch circuit 500. The RF switch

circuit **500** is one example of a general class of well-known RF switch circuits. Similar RF switch circuits are described in the following co-pending and commonly assigned U.S. applications and patent: Provisional Application No. 60/651,736, filed Feb. 9, 2005, entitled "UNPOWERED SWITCH AND BLEEDER CIRCUIT;" application Ser. No. 10/922,135, filed Aug. 18, 2004, pending, which is a continuation application of application Ser. No. 10/267,531, filed Oct. 8, 2002, which issued Oct. 12, 2004 as U.S. Pat. No. 6,804,502, entitled "SWITCH CIRCUIT AND METHOD OF SWITCHING RADIO FREQUENCY SIGNALS". Application Ser. No. 10/267,531, filed Oct. 8, 2002, which issued Oct. 12, 2004 as U.S. Pat. No. 6,804,502 claims the benefit of U.S. Provisional Application No. 60/328,353, filed Oct. 10, 2001. All of the above-cited patent applications and issued patent set forth above are hereby incorporated by reference herein as if set forth in full for their teachings on RF switch circuits including SOI MOSFET switch circuits.

Referring again to FIG. 5A, an SOI NMOSFET **506** is adapted to receive an RF input signal "RFin" at an input terminal **502**. The SOI MOSFET **506** is electrically coupled to selectively couple the RFin input signal to an output terminal **504** (i.e., thereby convey an RF output signal Rfout at the output terminal **504**). In the exemplary embodiment, the SOI NMOSFET **506** is controlled by a first control signal **C1** that is conveyed by a control line **512** through a gate resistor **510** (optionally included for suppression of parasitic RF coupling). The control line **512** is electrically coupled to a control circuit **520**, which generates the first control signal **C1**.

Referring again to FIG. 5A, an SOI NMOSFET **508** is adapted to receive the RF input signal RFin at its drain terminal, and to selectively shunt the input signal RFin to ground via an optional load resistor **518**. The SOI NMOSFET **508** is controlled by a second control signal **C1x** which is conveyed by a control line **516** through a gate resistor **514** (optionally included for suppression of parasitic RF coupling and for purposes of voltage division). The control line **516** is electrically coupled to the control circuit **520**, which generates the second control signal **C1x**.

The first and second control signals, **C1** and **C1x**, respectively, are generated so that the SOI NMOSFET **506** operates in an on-state when the SOI NMOSFET **508** operates in an off-state, and vice versa. These control signals provide the gate bias voltages V_g to the gate terminals of the NMOSFETs **506** and **508**. When either of the NMOSFETs **506** or **508** is biased to select the transistor off-state, the respective V_g must comprise a sufficiently large negative voltage so that the respective NMOSFET does not enter, or approach, an on-state due to the time varying applied voltages of the RF input signal RFin. The maximum power of the RF input signal RFin is thereby limited by the maximum magnitude of the gate bias voltage V_g (or, more generally, the gate-to-source operating voltage, V_{gs}) that the SOI NMOSFETs **506** and **508** can reliably sustain. For RF switching circuits such as those exemplified herein, $V_{gs(max)} = V_g + V_{ds(max)}/2$, where $V_{ds} = V_d - V_s$, and $V_{ds(max)}$ comprises the maximum V_{ds} due to the high-power input signal voltage levels associated with the RF input signal RFin.

Exemplary bias voltages for the SOI NMOSFETs **506** and **508** may include the following: with V_{th} approximately zero volts, V_g , for the on-state, of +2.5 V, and V_g , for the off-state, of -2.5 V. For these bias voltages, the SOI NMOSFETs may eventually operate in an accumulated charge regime when placed into their off-states. In particular, and as described above with reference to FIG. 2B, when the NMOSFET **506** is in the on-state, and the NMOSFET **508**

is biased in the off-state, the output signal Rfout may become distorted by the nonlinear behavior of the off capacitance C_{off} of the NMOSFET **508** caused by the accumulated charge. Advantageously, the improved ACC MOSFETs made in accordance with the present teachings can be used to improve circuit performance, especially as it is adversely affected by the accumulated charge.

FIG. 5B is a schematic of an improved RF circuit **501** adapted for higher performance using the present accumulated charge reduction and control techniques. The switch circuit **501** differs from the prior art circuit **500** (FIG. 5A) in that the NMOSFET **508** is replaced by an ACC NMOSFET **528** made in accordance with the present teachings. The ACC NMOSFET **528** is analogous to the ACC NMOSFET described above with reference to FIGS. 4A and 4B. Similarly, the gate, source, drain and ACC terminals of the ACC NMOSFET **528** are analogous to the respective terminals of the ACC NMOSFET **300**. With the exception of the improved switch performance afforded by the improved ACC NMOSFET **528**, the operation of the RF switch circuit **501** is very similar to the operation of the RF switch circuit **500** described above with reference to FIG. 5A.

Exemplary bias voltages for the NMOSFET **526** and the ACC NMOSFET **528** may include: with V_{th} approximately zero, V_g , for the on-state, of +2.5 V, and V_g , for the off-state, of -2.5 V. For these bias voltages, the SOI NMOSFETs may operate in an accumulated charge regime when placed into the off-state. However, when the NMOSFET **526** is in the on-state and the ACC NMOSFET **528** is in the off-state, the output signal Rfout at the output terminal **505** will not be distorted by nonlinear behavior of the off-state capacitance C_{off} of the improved ACC NMOSFET **528** due to the accumulated charge. When the ACC NMOSFET **528** operates in the accumulated charge regime, the accumulated charge is removed via the ACS terminal **508'**. More specifically, because the gate terminal **502'** of the ACC NMOSFET **528** is connected to the ACS terminal **508'**, the accumulated charge is removed or otherwise controlled as described above in reference to the simplified circuit of FIG. 4B. The control of the accumulated charge improves performance of the switch **501** by improving the linearity of the off transistor, **528**, and thereby reducing the harmonic and intermodulation distortion of the RF output signal Rfout generated at the output terminal **505**.

FIG. 5C is a schematic of another embodiment of an improved RF switch circuit **502** adapted for higher performance using the accumulated charge control techniques of the present disclosure. The switch circuit **502** differs from the prior art circuit **500** (FIG. 5A) in that the NMOSFET **508** is replaced by an ACC NMOSFET **528** made in accordance with the present teachings. The ACC NMOSFET **528** is analogous to the ACC NMOSFET **300** described above with reference to FIGS. 4A and 4C. Similarly, the gate, source, drain and ACC terminals of the ACC NMOSFET **528** are analogous to the respective terminals of the ACC NMOSFETs **300** described above with reference to FIGS. 4A and 4C. With the exception of the improved switch performance afforded by the improved ACC NMOSFET **528**, the operation of the switch circuit **502** is very similar to the operations of the switch circuits **500** and **501** described above with reference to FIGS. 5A and 5B, respectively.

Exemplary bias voltages for the NMOSFET **526** and the ACC NMOSFET **528** may include the following: with V_{th} approximately zero volts, V_g , for the on-state, of +2.5 V, and V_g , for the off-state, of -2.5 V. For these bias voltages, the SOI NMOSFETs **526**, **528** may operate in an accumulated charge regime when placed into an off-state. However, when

the NMOSFET **526** is in the on-state and the ACC NMOSFET **528** is in the off-state, the output signal RFout will not be distorted by nonlinear behavior of the off-state capacitance C_{off} of the ACC NMOSFET **528** due to the accumulated charge. Because the gate terminal **502'** of the ACC NMOSFET **528** is connected to the ACS terminal **508'** via a diode **509**, the accumulated charge is entirely removed, reduced or otherwise controlled, as described above with reference to FIG. **4C**. Similar to the improved switch **501** described above with reference to FIG. **5B**, control of the accumulated charge improves performance of the switch **502** by improving the linearity of the off transistor, **528**, and thereby reducing the harmonic and intermodulation distortion of the RF output signal RFout output of the RF output terminal **505**. Connection of the diode **509** as shown may be desired in some embodiments for suppression of positive current flow into the ACC NMOSFET **528** when it is biased into an on-state, as described above with reference to FIG. **4C**.

FIG. **5D** is a schematic of another embodiment of an improved RF switch circuit **503** adapted for higher performance using the present accumulated charge control techniques. The switch circuit **503** differs from the prior art circuit **500** (FIG. **5A**) in that the NMOSFET **508** of FIG. **5A** is replaced by an ACC NMOSFET **528** made in accordance with the present teachings. The ACC NMOSFET **528** is analogous to the ACC NMOSFET described above with reference to FIGS. **4A** and **4D**. With the exception of the improved switch performance afforded by the improved ACC NMOSFET **528**, the operation of the switch circuit **503** is very similar to the operations of the switch circuits **500**, **501** and **502** described above with reference to FIGS. **5A-5C**, respectively.

Exemplary bias voltages for the NMOSFET **526** and the ACC NMOSFET **528** may include the following: with V_{th} approximately zero volts, V_g , for the on-state, of +2.5 V, and V_g , for the off-state, of -2.5 V. For these bias voltages, the SOI NMOSFETs **526**, **528** may operate in an accumulated charge regime when placed into the off-state. However, when the NMOSFET **526** is in the on-state and the ACC NMOSFET **528** is in the off-state, the output signal RFout produced at the output terminal **505** will not be distorted by the nonlinear behavior of the off-state capacitance C_{off} of the ACC NMOSFET **528** due to the accumulated charge. When the NMOSFET **528** operates in the accumulated charge regime, the accumulated charge is removed via the ACS terminal **508'**. More specifically, because the ACS terminal **508'** of the ACC NMOSFET **528** is electrically coupled to the control circuit **520** via the control line **517** (i.e., controlled by the control signal "C2" as shown), the accumulated charge can be eliminated, reduced or otherwise controlled by applying selected bias voltages to the ACS terminal **508'** as described above with reference to FIG. **4D**. Those skilled in the arts of electronic circuit design shall understand that a wide variety of bias voltage signals can be applied to the ACS terminal for the purpose of reducing or otherwise controlling the accumulated charge. The specific bias voltages may be adapted for use in a particular application. The control of the accumulated charge improves performance of the switch **503** by improving the linearity of the off-state transistor, **528**, and thereby reducing the harmonic and intermodulation distortion of the RF output signal RFout generated at the output terminal **505**.

In the circuits described above with respect to FIGS. **5B-5D**, the switching SOI MOSFETs **526** are shown and described as implemented using SOI MOSFETs of the prior art (i.e., they do not comprise ACC MOSFETs and therefore

do not have an ACS terminal). Those skilled in the electronic device design arts shall understand and appreciate that in other embodiments of the disclosed method and apparatus, the prior art switching SOI MOSFETs **526** may be replaced, as required, by ACC SOI MOSFETs made in accordance with the present disclosure. For example, in some embodiments of RF switches implemented using the ACC MOSFET of the present disclosure, the RF switch comprises a single-pole double-throw RF switch. In this embodiment, the switching SOI MOSFETs (e.g., analogous to the switching ACC SOI MOSFETs **526** described above with reference to FIGS. **5B-5D**) may comprise ACC SOI MOSFETs. Such an implementation prevents nonlinear behavior of the off-state switching SOI MOSFETs (which is turned off when it is not selected as an input "pole") from detrimentally affecting the output of the RF signal as switched through the selected "pole". This implementation is described in more detail below with reference to the RF switch circuit shown in FIG. **9**. Many other examples will be apparent to those skilled in the arts of electronic circuits.

Exemplary RF Switch Implementation Using Stacked Transistors

In the exemplary embodiments of RF switch circuits described above, the switch circuits are implemented using a single SOI NMOSFET (e.g., the single SOI NMOSFET **506** of FIG. **5A**, and the single SOI NMOSFET **526** of FIGS. **5B-5D**) that selectively couples or blocks (i.e., electrically opens the circuit connection) the RF input signal to the RF output. Similarly, in the exemplary embodiments described above with reference to FIGS. **5A-5D**, a single SOI NMOSFET (e.g., the single SOI NMOSFET **508** of FIG. **5A**, and ACC SOI NMOSFET **528** of FIGS. **5B-5D**) is used to shunt (FET in the on-state) or block (FET in the off-state) the RF input signal to ground. Commonly assigned U.S. Pat. No. 6,804,502, entitled "SWITCH CIRCUIT AND METHOD OF SWITCHING RADIO FREQUENCY SIGNALS", issued Oct. 12, 2004, describes RF switch circuits using SOI NMOSFETs implemented with stacked transistor groupings that selectively couple and block RF signals.

One example of how stacked NMOSFETs may be implemented in accordance with the teachings of the present disclosure is illustrated in FIG. **6**. An RF switch circuit **600** is analogous to the RF switch circuit **503** of FIG. **5D**, wherein the single SOI NMOSFET **526** is replaced by a stack of SOI NMOSFETs **602**, **604** and **606**. Similarly, the single ACC SOI NMOSFET **528** is replaced by a stack of ACC SOI NMOSFETs **620**, **622** and **624**. The control signal C2 is provided to the ACS terminals of the ACC SOI NMOSFETs **620**, **622** and **624** via optional resistors **626**, **628**, and **630**, respectively. The resistors **626**, **628**, and **630** may optionally be included in order to suppress parasitic RF signals between the stacked ACC SOI NMOSFETs **620**, **622**, and **624**, respectively. The RF switch circuit **600** operates analogously to the operation of the RF switch circuit **503** described above with reference to FIG. **5D**.

Three stacked ACC SOI NMOSFETs are shown in each ACC NMOSFET stack in the exemplary stacked RF switch circuit **600** of FIG. **6**. A plurality of three ACC NMOSFETs is shown for illustrative purposes only, however, those skilled in the integrated circuit design arts will understand that an arbitrary plurality may be employed according to particular circuit requirements such as power handling performance, switching speed, etc. A smaller or larger plurality of stacked ACC NMOSFETs may be included in a stack to achieve a desired operating performance.

Other stacked RF switch circuits, adapted for accumulated charge control, analogous to the circuits described

above with reference to FIGS. 5B-5D, may also be employed. Implementations of such circuits shall be obvious from the teachings above to those skilled in the electronic device design arts, and therefore are not described further herein.

Exemplary Method of Operation

FIG. 7 illustrates an exemplary method 700 of improving the linearity of an SOI MOSFET having an accumulated charge sink (ACS) in accordance with the present disclosure. The method 700 begins at a STEP 702, whereat an ACC SOI MOSFET having an ACS terminal is configured to operate in a circuit. The ACS terminal may be operatively coupled to the gate of the SOI MOSFET (as described above with reference to FIGS. 4B, 4C, 5B and 5C), or to a control circuit (as described above with reference to FIGS. 4D and 5D). In other embodiments, the ACS terminal may be operatively coupled to any convenient accumulated charge sinking mechanism, circuit, or device as is convenient to the circuit or system designer. The method then proceeds to a step 704.

At the STEP 704, the ACC SOI MOSFET is controlled, at least part of the time, so that it operates in an accumulated charge regime. In most embodiments, as described above, the ACC MOSFET is operated in the accumulated charge regime by applying bias voltages that place the FET in an off-state condition. In one exemplary embodiment, the ACC SOI MOSFET comprises an ACC SOI NMOSFET that is configured as part of a shunting circuit of an RF switch. According to this exemplary embodiment, the SOI NMOSFET may be operated in an accumulated charge regime after the shunting circuit is placed into an off-state by applying a negative bias voltage to the gate terminal of the ACC NMOSFET.

The method then proceeds to a STEP 706, whereat the accumulated charge that has accumulated in the channel region of the ACC MOSFET is removed or otherwise controlled via the ACS terminal. In this embodiment, the accumulated charge is conveyed to another circuit terminal and is thereby reduced or otherwise controlled. One such exemplary circuit terminal that can be used to convey the accumulated charge from the MOSFET body comprises a gate terminal of the ACC MOSFET (see, e.g., the description above with reference to FIGS. 4B, 4C, 5B and 5C). Another exemplary circuit terminal that can be used to remove or otherwise control the accumulated charge comprises the terminal of a control circuit (see, e.g., FIGS. 4D and 5D). As described in more detail above, removing or otherwise controlling the accumulated charge in the ACC MOSFET body improves the linearity of the off-state ACC MOSFET, which reduces the harmonic distortion and IMD of signals affected by the ACC MOSFET, and which, in turn, improves circuit and system performance. In RF switch circuits, improvements (in both linearity and magnitude) are made to the off capacitance of shunting ACC MOSFET devices, which, in turn, improves the performance of the RF switch circuits. In addition to other switch performance characteristics, the harmonic and intermodulation distortions of the RF switch are reduced using the ACC method and apparatus of the present teachings.

FIGS. 8 and 9 show schematics of additional exemplary embodiments of RF switching circuits made in accordance with the disclosed method and apparatus for use in improving Linearity of MOSFETs having an ACS. As described in more detail below with reference to FIGS. 8 and 9, in some exemplary embodiments of RF switch circuits made in accordance with the present disclosure, it may be desirable to include drain-to-source resistors, R_{ds} , and thereby improve some switch performance characteristics when the

switch is used in a particular application. These exemplary RF switch circuits are now described in more detail.

Exemplary RF Switch Implementations Using Stacked Transistors Having Source to Drain Resistors

FIG. 8 shows one exemplary embodiment of an RF switch circuit 800 made in accordance with the present disclosure. As shown in FIG. 8, some embodiments of RF switches made in accordance with the present disclosure may include drain-to-source (R_{ds}) resistors electrically connected to the respective sources and drains of the ACC MOSFETs. For example, the exemplary switch 800 of FIG. 8 includes drain-to-source R_{ds} resistors 802, 804, and 806 electrically connected to the respective sources and drains of the shunting ACC SOI NMOSFETs 620, 622, and 624, respectively. Motivation for use of the drain-to-source R_{ds} resistors is now described.

As shall be appreciated by skilled persons from the present teachings, removal of the accumulated charge via the ACS terminal causes current to flow from the body of the ACC SOI MOSFET. For example, when a hole current flows from the body of an ACC SOI MOSFET via the ACS, an equal electron current flows to the FET source and/or drain. For some circuits (e.g., the RF switch circuit of FIG. 8), the sources and/or drains of the ACC SOI NMOSFETs are connected to other SOI NMOSFETs. Because off-state SOI NMOSFETs have a very high impedance (e.g., in the range of 1 Gohm for a 1 mm wide SOI NMOSFET), even a very small drain-to-source current (e.g., in the range of 1 nA) can result in an unacceptably large drain-to-source voltage V_{ds} across the ACC SOI NMOSFET in satisfaction of Kirchhoff's well known current and voltage laws. In some embodiments, such as that shown in the RF switch circuits of FIGS. 8 and 9, such resultant very large drain-to-source voltages V_{ds} undesirably impacts reliability and linearity of the ACC SOI NMOSFET. The drain-to-source resistors R_{ds} provide a path between the ACC FET drain and source whereby currents associated with controlling the accumulated charge may be conducted away from the sources and drains of ACC SOI NMOSFETs when implemented in series with high impedance elements such as other ACC SOI NMOSFETs.

Exemplary operating voltages for the NMOSFETs 602-606 of FIG. 8, and the ACC NMOSFETs 620-624, may include the following: V_{th} approximately zero volts, V_g , for the on-state, of +2.5 V, and V_g , for the off-state, of -2.5 V. In an exemplary embodiment, the ACC SOI NMOSFET 622 of FIG. 8 may have a width of 1 mm, and an electron-hole pair generation rate for accumulated charge producing a current of 10 pA/ μm for operation in the accumulated charge regime. For the electron current supplied equally by the source and drain, and an impedance of the ACC SOI NMOSFETs 620 and 622 on the order of 1 Gohm, then an unacceptable bias of -5 V would result on the source and drain of the ACC SOI NMOSFET 622 without the presence of R_{ds} resistors 802 and 806. This bias voltage would also be applied to the interior nodes of the ACC SOI NMOSFETs 620 and 624.

Even currents smaller than the exemplary currents may produce adverse affects on the operation of the RF switching circuit 800 by reducing V_{gs} and/or V_{gd} of the ACC SOI MOSFETs 620-624 in the off-state, thereby reducing the power handling capability and reliability of the circuit by increasing leakage (e.g., when either V_{gs} or V_{gd} approaches V_{th}), by increasing hot-carrier damage caused by excess leakage, etc. Linearity of the MOSFETs is also degraded by reducing V_{gs} and/or V_{gd} when either value approaches V_{th} .

Exemplary values for the R_{ds} resistors **802** to **806** may be selected in some embodiments by selecting a value approximately equal to the resistance of the gate resistors **632-636** divided by the number of ACC SOI NMOSFETs in the stack (in the exemplary embodiment, there are three ACC FETs in the stack). More generally, the value of the R_{ds} resistors may be equal to the gate resistor value divided by the number of ACC SOI NMOSFETs in the stack. In one example, a stack of eight ACC SOI NMOSFETs may have gate resistors of 80 kohm and R_{ds} resistors of 10 kohm.

In some embodiments, the R_{ds} resistors may be selected so that they do not adversely affect switch performance characteristics, such as, for example, the insertion loss of the switch **800** due to the off-state ACC SOI NMOSFETs. For example, for a net shunt resistance greater than 10 kohm, the insertion loss is increased by less than 0.02 dB.

In other embodiments, the R_{ds} resistors may be implemented in circuits comprising a single ACC SOI MOSFET (as contrasted with the stacked shunting configuration exemplified in FIG. 8 by the shunting ACC FETs **620**, **622** and **624**). For example, such circuits may be desirable if there are other high-impedance elements configured in series with an ACC SOI MOSFET that may cause a significant bias voltage to be applied to the source or drain as a result of the current flow created when removing or otherwise controlling accumulated charge. One exemplary embodiment of such a circuit is shown in FIG. 9.

FIG. 9 shows an exemplary single-pole double-throw (SPDT) RF switch circuit **900** made in accordance with the present teachings. As shown in FIG. 9, a DC blocking capacitor **904** is connected to a first RF input node **905** that receives a first RF input signal RF1. Similarly, a DC blocking capacitor **906** is connected to a second RF input node **907** that receives a second RF input signal RF2. Further, a DC blocking capacitor **902** is electrically connected to an RF common output node **903** that provides an RF common output signal (RFC) selectively conveyed to the node RFC **903** by the switch circuit **900** from either the first RF input node **905** or the second RF input node **907** (i.e., RFC either outputs RF1 or RF2, depending upon the operation of the switch as controlled by the control signals C1 and C1x described below in more detail).

A first control signal C1 is provided to control the operating states of the ACC SOI NMOSFETs **526** and **528'** (i.e., C1 selectively operates the FETs in the on-state or the off-state). Similarly, a second control signal C1x is provided to control the operating states of the ACC SOI NMOSFETs **528** and **526'**. As is well known, and as described for example in the above incorporated commonly assigned U.S. Pat. No. 6,804,502, the control signals C1 and C1x are generated so that the ACC SOI NMOSFETs **526** and **528'** are in an on-state when the ACC SOI NMOSFETs **528** and **526'** are in an off-state, and vice versa. This configuration allows the RF switch circuit **900** to selectively convey either the signal RF1 or RF2 to the RF common output node **903**.

A first ACS control signal C2 is configured to control the operation of the ACS terminals of the SOI NMOSFETs **526** and **528'**. A second ACS control signal C2x is configured to control the ACS terminals of the ACC SOI NMOSFETs **528** and **526'**. The first and second ACS control signals, C2 and C2x, respectively, are selected so that the ACSs of the associated and respective NMOSFETs are appropriately biased in order to eliminate, reduce, or otherwise control their accumulated charge when the ACC SOI NMOSFETs operate in an accumulated charge regime.

As shown in the RF switch circuit **900** of FIG. 9, in some embodiments, an R_{ds} resistor **908** is electrically connected

between the source and drain of the switching ACC NMOSFET **526**. Similarly, in some embodiments, an R_{ds} resistor **910** is electrically connected between the source and drain of the switching ACC NMOSFET **526'**. According to this example, the circuit **900** is operated so that either the shunting ACC NMOSFET **528** or the shunting ACC NMOSFET **528'** operate in an on-state at any time (i.e., at least one of the input signals RF1 at the node **905** or RF2 at the node **907** is always conveyed to the RFC node **903**), thereby providing a low-impedance path to ground for the node **905** or **907**, respectively. Consequently, either the R_{ds} resistor **908** or the R_{ds} resistor **910** provides a low-impedance path to ground from the RF common node **903**, thereby preventing voltage bias problems caused as a result of ACC current flow into the nodes **903**, **905** and **907** that might otherwise be caused when using the DC blocking capacitors **902**, **904** and **906**.

Additional Exemplary Benefits Afforded by the ACC MOSFETs of the Present Disclosure

As described above, presence of the accumulated charge in the bodies of the SOI MOSFETs can adversely affect the drain-to-source breakdown voltage (BVDSS) performance characteristics of the floating body MOSFETs. This also has the undesirable affect of worsening the linearity of off-state MOSFETs when used in certain circuits such as RF switching circuits. For example, consider the shunting SOI NMOSFET **528** shown in FIG. 9. Further consider the case wherein the shunting NMOSFET **528** is implemented with a prior art SOI NMOSFET, rather than with the ACC NMOSFET made in accordance with the present teachings. Assume that the RF transmission line uses a 50-ohm system. With small signal inputs, and when the NMOSFET **528** operates in an off-state, the prior art off-state shunting NMOSFET **528** may introduce harmonic distortion and/or intermodulation distortion in the presence of multiple RF signals. This will also introduce a noticeable loss of signal power.

When sufficiently large signals are input that cause the NMOSFET **528** to enter a BVDSS regime, some of the RF current is clipped, or redirected through the NMOSFET **528** to ground, resulting in a loss of signal power. This current "clipping" causes compression behavior that can be shown, for instance, in a RF switch "Pout vs. Pin" plot. This is frequently characterized by P1 dB, wherein the insertion loss is increased by 1.0 dB over the small-signal insertion loss. This is an obvious indication of nonlinearity of the switch. In accordance with the present disclosed method and apparatus, removing, reducing or otherwise controlling the accumulated charge increases the BVDSS point. Increases to the BVDSS point of the NMOSFET **528** commensurately increases the large-signal power handling of the switch. As an example, for a switch, doubling the BVDSS voltage of the ACC NMOSFET increases the P1 dB point by 6 dB. This is a significant accomplishment as compared with the prior art RF switch designs.

In addition, as described above in more detail, presence of the accumulated charge in SOI MOSFET body adversely impacts the magnitude of C_{off} and also takes time to form when the FET is switched from an on-state to an off-state. In terms of switch performance, the nonlinearity of C_{off} adversely impacts the overall switch linearity performance (as described above), and the magnitude of C_{off} adversely affects the small-signal performance parameters such as insertion loss, insertion phase (or delay), and isolation. By reducing the magnitude of C_{off} using the present disclosed method and apparatus, the switch (implemented with ACC MOSFETs) has reduced insertion loss due to lowered parasitic capacitance, reduced insertion phase (or delay), again

due to lowered parasitic capacitance, and increased isolation due to less capacitive feedthrough.

The ACC MOSFET also improves the drift characteristic of SOI MOSFETs as pertains to the drift of the small-signal parameters over a period of time. As the SOI MOSFET takes some time to accumulate the accumulated charge when the switch is off, the C_{off} capacitance is initially fairly small. However, over a period of time while operated in the accumulated charge regime, the off-state capacitance C_{off} increases toward a final value. The time it takes for the NMOSFET to reach a full accumulated charge state depends on the electron-hole pair (EHP) generation mechanism. Typically, this time period is on the order of approximately hundreds of milliseconds for thermal EHP generation at room temperature, for example. During this charge-up time period, the insertion loss and insertion phase increase. Also, during this time period, the isolation decreases. As is well known, these are undesirable phenomena in standard SOI MOSFET devices. These problems are alleviated or otherwise mitigated using the ACC NMOSFETs and related circuits described above.

In addition to the above-described benefits afforded by the disclosed ACC MOSFET method and apparatus, the disclosed techniques also allow the implementation of SOI MOSFETs having improved temperature performance, improved sensitivity to V_{dd} variations, and improved sensitivity to process variations. Other improvements to the prior art SOI MOSFETs afforded by the present disclosed method and apparatus will be understood and appreciated by those skilled in the electronic device design and manufacturing arts.

Exemplary Fabrication Methods

In one embodiment of the present disclosure, the exemplary RF switches described above may be implemented using a fully insulating substrate silicon-on-insulator (SOI) technology. Also, as noted above, in addition to the commonly used silicon-based systems, some embodiments of the present disclosure may be implemented using silicon-germanium (SiGe), wherein the SiGe is used equivalently in place of silicon.

In some exemplary embodiments, the MOSFET transistors of the present disclosure may be implemented using "UltraThin-Silicon (UTSi)" (also referred to herein as "ultrathin silicon-on-sapphire") technology. In accordance with UTSi manufacturing methods, the transistors used to implement the inventive methods disclosed herein are formed in an extremely thin layer of silicon in an insulating sapphire wafer. The fully insulating sapphire substrate enhances the performance characteristics of the inventive RF circuits by reducing the deleterious substrate coupling effects associated with non-insulating and partially insulating substrates. For example, insertion loss improvements may be realized by lowering the transistor on-state resistances and by reducing parasitic substrate conductance and capacitance. In addition, switch isolation is improved using the fully insulating substrates provided by UTSi technology. Owing to the fully insulating nature of silicon-on-sapphire technology, the parasitic capacitance between the nodes of the RF switches is greatly reduced as compared with bulk CMOS and other traditional integrated circuit manufacturing technologies.

Examples of and methods for making silicon-on-sapphire devices that can be implemented in the MOSFETs and circuits described herein, are described in U.S. Pat. Nos. 5,416,043 ("Minimum charge FET fabricated on an ultrathin silicon on sapphire wafer"); 5,492,857 ("High-frequency wireless communication system on a single ultrathin silicon

on sapphire chip"); 5,572,040 ("High-frequency wireless communication system on a single ultrathin silicon on sapphire chip"); 5,596,205 ("High-frequency wireless communication system on a single ultrathin silicon on sapphire chip"); 5,600,169 ("Minimum charge FET fabricated on an ultrathin silicon on sapphire wafer"); 5,663,570 ("High-frequency wireless communication system on a single ultrathin silicon on sapphire chip"); 5,861,336 ("High-frequency wireless communication system on a single ultrathin silicon on sapphire chip"); 5,863,823 ("Self-aligned edge control in silicon on insulator"); 5,883,396 ("High-frequency wireless communication system on a single ultrathin silicon on sapphire chip"); 5,895,957 ("Minimum charge FET fabricated on an ultrathin silicon on sapphire wafer"); 5,920,233 ("Phase locked loop including a sampling circuit for reducing spurious side bands"); 5,930,638 ("Method of making a low parasitic resistor on ultrathin silicon on insulator"); 5,973,363 ("CMOS circuitry with shortened P-channel length on ultrathin silicon on insulator"); 5,973,382 ("Capacitor on ultrathin semiconductor on insulator"); and 6,057,555 ("High-frequency wireless communication system on a single ultrathin silicon on sapphire chip"). All of these referenced patents are incorporated herein in their entirety for their teachings on ultrathin silicon-on-sapphire integrated circuit design and fabrication.

Similarly to other bulk and SOI CMOS processes, an SOS enhancement mode NMOSFET, suitable for some embodiments of the present disclosure, may, in some embodiments, be fabricated with a p-type implant into the channel region with n-type source and drain regions, and may have a threshold voltage of approximately +500 mV. The threshold voltage is directly related to the p-type doping level, with higher doping resulting in higher thresholds. Similarly, the SOS enhancement mode PMOSFET may, in some exemplary embodiments, be implemented with a n-type channel region and p-type source and drain regions. Again, the doping level defines the threshold voltage with higher doping resulting in a more negative threshold.

In some exemplary embodiments, an SOS depletion-mode NMOSFET, suitable for some embodiments of the present disclosure, may be fabricated by applying the p-type channel-implant mask to the n-type transistor, resulting in a structure that has n-type channel, source, and drain regions and a negative threshold voltage of approximately -500 mV. Similarly, in some exemplary embodiments, a suitable depletion-mode PMOSFET may be implemented by applying the n-type channel-implant mask to the p-type transistor, resulting in a structure that has p-type channel, source, and drain regions and a positive threshold voltage of approximately +500 mV.

A reference relating to the fabrication of enhancement-mode and depletion-mode transistors in SOS is "CMOS/SOS/LSI Switching Regulator Control Device," Orndorff, R. and Butcher, D., Solid-State Circuits Conference, Digest of Technical Papers, 1978 IEEE International, Volume XXI, pp. 234-235, February 1978. The "Orndorff" reference is hereby incorporated in its entirety herein for its techniques on the fabrication of enhancement-mode and depletion-mode SOS transistors.

Embodiments of Methods and Apparatuses for Improving Gate Oxide Reliability in Accordance with the Present CIP

The present CIP describes methods and devices for improving gate oxide reliability of SOI MOSFETs using ACC techniques to control accumulated charge and the

adverse effects thereof. Persons skilled in the arts of electronic devices will appreciate that the teachings herein apply equally to NMOSFETs and PMOSFETs. For simplicity, the embodiments and examples presented herein for illustrative purposes include only NMOSFETs, unless otherwise noted. 5 By making well known changes to dopants, charge carriers, polarity of bias voltages, etc., persons skilled in the arts of electronic devices will easily understand how these embodiments and examples may be adapted for use with PMOSFETs.

Impact of Accumulated Charge on Gate Oxide Reliability

Referring to FIG. 1, the inventors have observed that the accumulated charge **120** has an adverse effect on the reliability of the gate oxide **110**. This is a novel observation not known according to prior art. The adverse effects are caused by electric field lines from the gate **108** (due to the bias voltages V_g , V_s and V_d) primarily terminating at the accumulated charge **120**. If the accumulated charge **120** is not present, the electric field lines from the gate **108** terminate at the boundaries of the undepleted regions of the source **112** and the drain **116**. The depletion regions **122** and **124** move the boundaries of the undepleted regions in the source **112** and the drain **116** away from the gate oxide. Thus, when the accumulated charge **120** is present the electric field stress on the gate oxide is much larger than when the accumulated charge **120** is prevented from forming, removed, reduced, or otherwise controlled.

Reduction or otherwise control of the accumulated charge therefore enables use of larger bias voltages for a given thickness of the gate oxide **110**. Alternatively, reduction or control of the accumulated charge enables use of reduced gate oxide **110** thickness for given bias voltages. A combination of larger bias voltages and reduced gate oxide **110** thickness is also enabled by control of the accumulated charge. Larger bias voltages allow larger input voltages in the transition off-state, thereby improving power handling capability. Reduced gate oxide thickness provides improved insertion loss, thereby allowing either improvements in power handling capability, or an option of using smaller SOI NMOSFETs to control a given power level.

Although many of the examples herein relate to RF switches, persons skilled in the arts of electronic circuits will understand that the present teachings may also be applied to RF mixers, power amplifiers, level shifting circuits, negative voltage generators, oscillators, DC-DC converters and other circuits that employ SOI MOSFETs. In particular, persons skilled in the arts of RF circuits will readily understand how the present teachings may be implemented for RF power amplifiers such as described in the following U.S. patent applications: "STACKED TRANSISTOR METHOD AND APPARATUS," application Ser. No. 10/875,405, filed Jun. 23, 2004, pending; and "INTEGRATED RF FRONT END," application Ser. No. 11/158,597 (CIP of application Ser. No. 10/875,405, filed Jun. 23, 2004), filed Jun. 22, 2005, pending. These cited applications are commonly owned by the assignee of the present application, and are hereby fully incorporated by reference herein, as though set forth in full for teachings on using SOI MOSFETs for RF power amplifiers.

Accumulated Charge Control Using Bias Voltage Pulses

In one embodiment, applying bias voltage pulses comprises an ACC technique that may be used to control the accumulated charge **120**. Referring again to FIG. 1, as described above, the accumulated charge **120** results from a slow electron-hole pair generation process that occurs when the gate bias voltage V_g is negative with respect to the source bias voltage V_s and the drain bias voltage V_d . If a

positive voltage pulse above V_{th} is applied to the gate terminal **104**, an conducting channel comprising electrons is formed in the body **114** proximate the gate oxide **110**, and the accumulated charge **120** is dissipated due to drift and recombination. When the gate bias voltage V_g returns to the negative bias level present prior to the application of the positive voltage pulse, the accumulated charge **120** regenerates in a time period having a time scale that is typically in the millisecond range or longer. Consequently, the accumulated charge **120** may be controlled by applying a series of positive voltage pulses to the gate terminal **104**, repeated at a rate that is sufficient to prevent the accumulated charge **120** from accumulating.

Accumulated Charge Control Using RF Signal Voltage

In one embodiment, an applied RF signal voltage comprises an ACC technique. According to this embodiment, an NMOSFET is operated with a large series resistor electrically connected to the gate in series with the gate bias source (as described below in reference to FIG. 5A). The gate resistor is sufficiently large that the AC gate voltage tracks the AC drain voltage signal at one-half the amplitude of the quickly-varying drain voltage. This occurs because the gate is coupled to the drain and source by parasitic capacitors (e.g., by capacitors **202** and **204** of FIG. 2A). Thus, a high-frequency drain voltage signal may be coupled to the gate, and the resulting gate voltage further coupled to the source, thereby dividing the voltage on the gate by a factor of two, providing that the gate resistance is sufficiently large that it does not shunt or attenuate the resulting high-frequency AC voltage induced on the gate. For example, if an applied gate bias of -2.5 V is placed on a switch gate with large series resistor, the gate voltage will vary around the -2.5 V bias level in response to an applied AC drain signal. If a 2 V amplitude high-frequency signal (i.e., a 4 V peak-to-peak RF signal) is applied to the drain as V_d , the gate voltage will be moved from the quiescent level of -2.5 V to -1.5 V at a maximum and to -3.5 V at a minimum. When the gate voltage moves to -1.5 V, the accumulated charge moves toward the level that would be present in equilibrium at -1.5 V, through diffusion to the source and drain, where the accumulated holes recombine with the large concentrations of electrons. Alternatively, the accumulated charge may recombine by other processes with other electron sources. When the gate voltage moves more negative, the accumulated charge will increase, but the time spent at the more negative voltage is too short for the accumulated charge to increase significantly before the voltage moves less negative again. I.e., the recombination process at the less negative voltage will occur more rapidly than at more negative voltages, while the generation process is largely independent of voltage. Consequently, under the dynamic conditions of the present example, the net effect of the AC voltage swing in the gate voltage is to reduce the effective level of accumulated charge relative to what it would be absent the AC signal. After many cycles of RF swing, a steady-state accumulated charge level will be present that is significantly less than would be present at the DC gate bias voltage of -2.5 V. According to the present example the effective accumulated charge may be approximately at the level that would be present for an effective gate bias of -1.5 V.

RF Switch Circuits Adapted for Improved Oxide Reliability Using Bias Voltage Pulses

FIG. 5A shows a schematic diagram of a single pole, single throw (SPST) RF switch circuit **500** that may be adapted to control accumulated charge and improve gate oxide reliability, in accordance with the present CIP. In

particular, as described below, the RF switch circuit **500** may be operated using bias voltage pulse techniques to reduce or otherwise control accumulated charge. The RF switch circuit **500** is one example of a general class of well-known RF switch circuits. Similar RF switch circuits are described in the following co-pending and commonly assigned U.S. applications and patent: Provisional Application No. 60/651,736, filed Feb. 9, 2005, entitled "UNPOWERED SWITCH AND BLEEDER CIRCUIT;" application Ser. No. 10/922,135, filed Aug. 18, 2004, pending, which is a continuation application of application Ser. No. 10/267,531, filed Oct. 8, 2002, which issued Oct. 12, 2004 as U.S. Pat. No. 6,804,502, entitled "SWITCH CIRCUIT AND METHOD OF SWITCHING RADIO FREQUENCY SIGNALS". Application Ser. No. 10/267,531, filed Oct. 8, 2002, which issued Oct. 12, 2004 as U.S. Pat. No. 6,804,502 claims the benefit of U.S. Provisional Application No. 60/328,353, filed Oct. 10, 2001. All of the above-cited applications and issued patent set forth above are hereby incorporated by reference herein as if set forth in full for their teachings on RF switch circuits including SOI MOSFET switch circuits.

Referring again to FIG. 5A, an SOI NMOSFET **506** is adapted to receive an RF input signal "RFin" at an input terminal **502**. The SOI MOSFET **506** is electrically coupled to selectively couple the RFin input signal to an output terminal **504** (i.e., thereby convey an RF output signal Rfout at the output terminal **504**). In the exemplary embodiment, the SOI NMOSFET **506** is controlled by a first control signal **C1** that is conveyed by a control line **512** through a gate resistor **510** (optionally included for suppression of parasitic RF coupling). The control line **512** is electrically coupled to a control circuit **520**, which generates the first control signal **C1**.

Referring again to FIG. 5A, an SOI NMOSFET **508** is adapted to receive the RF input signal RFin at its drain terminal, and to selectively shunt the input signal RFin to ground via an optional load resistor **518**. The SOI NMOSFET **508** is controlled by a second control signal **C1x** which is conveyed by a control line **516** through a gate resistor **514** (optionally included for suppression of parasitic RF coupling and for purposes of voltage division). The control line **516** is electrically coupled to the control circuit **520**, which generates the second control signal **C1x**.

The first and second control signals, **C1** and **C1x**, respectively, are generated so that the SOI NMOSFET **506** operates in an on-state when the SOI NMOSFET **508** operates in an off-state, and vice versa. These control signals provide the gate bias voltages V_g to the gate terminals of the NMOSFETs **506** and **508**. When either of the NMOSFETs **506** or **508** is biased to select the transistor off-state, the respective V_g must comprise a sufficiently large negative voltage so that the respective NMOSFET does not enter, or approach, an on-state due to the time varying applied voltages of the RF input signal RFin. The maximum power of the RF input signal RFin is thereby limited by the maximum magnitude of the gate bias voltage V_g (or, more generally, the gate-to-source operating voltage, V_{gs}) that the SOI NMOSFETs **506** and **508** can reliably sustain. For RF switching circuits such as those exemplified herein, $V_{gs(max)} = V_g + V_{ds(max)}/2$, where $V_{ds} = V_d - V_s$, and $V_{ds(max)}$ comprises the maximum V_{ds} due to the high-power input signal voltage levels associated with the RF input signal RFin.

The power that can be accommodated by the SOI NMOSFETs **506**, **508** is limited by insertion loss. Insertion loss can be improved by reducing gate oxide thicknesses. Therefore, as described above, the power handling performance of the SOI NMOSFETs **506**, **508** can be improved using the ACC

techniques of the present disclosure which allow implementation of SOI MOSFETs having thinner gate oxides. Persons skilled in the electronic device and circuit design arts shall appreciate that an appropriate combination of higher bias voltages and reduced gate oxide thicknesses can be used to improve circuit performance.

Exemplary bias voltages for the SOI NMOSFETs **506** and **508** may include the following: with V_{th} approximately zero volts, V_g , for the on-state, of +2.5 V, and V_g , for the off-state, of -2.5 V. For these bias voltages, the SOI NMOSFETs may eventually operate in an accumulated charge regime when placed into their off-states. As described above in reference to FIG. 1, the maximum magnitude for the gate bias voltage V_g (or more generally, V_{gs}) that can be reliably sustained can be significantly improved by using the accumulated charge control techniques of the present disclosure.

Accumulated charge control may be implemented by pulsing bias voltages applied to the gates of the SOI NMOSFETs **506**, **508**. In reference to FIG. 5A, the control signals **C1** and **C1x** may be selectively controlled by the control circuit **520** to provide such bias voltage pulses to the gates of the SOI NMOSFETs **506**, **508**. Any suitable method and components can be used to provide the bias voltage pulses. In an exemplary embodiment, a pulse generation circuit is used to generate all signals required to control the pulse process.

The gate bias voltage pulses are provided at any suitable magnitude, interval, and duration in order to reduce accumulated charge to the desired level. It is to be understood that each of these variables is dependent on the others and can be altered according to the application and preference of IC designer. For example, an individual IC may be capable of generating different pulses at different time periods and depending on any of a number of predetermined factors. By different, it is meant that the pulses may be of different magnitudes, intervals, durations, or a combination thereof. While a number of external factors can influence the nature of applied pulses according to the disclosure, recognize that one factor relevant thereto is the operating temperature of the SOI NMOSFET. At higher operating temperatures, accumulated charge builds up more rapidly. Thus, more frequent pulsing may be desirable under such conditions.

In one embodiment, a gate bias voltage pulse is applied to an off-state FET to force the FET toward an on-state. Although this gate bias voltage pulse need not exceed the threshold voltage (V_{th}) of the FET, exceeding V_{th} is an exemplary embodiment of the present disclosure. The magnitude of the gate bias voltage pulse may be fixed or variable. For simplicity, a pulse of a fixed magnitude, to exceed V_{th} by a selected value (e.g., the pulse voltage may have a maximum value of $V_{th} + 0.5$ V) may be used in an exemplary embodiment.

The magnitude of the pulsed gate voltage impacts the pulse duration needed to achieve the desired effects and vice versa. In one embodiment, the FET is pulsed for a duration of approximately 5 μ s or less. This meets the GSM standard switching time requirements and further provides for preferred switching times of from 1 μ s to 5 μ s.

At the end of a gate bias voltage pulse, the FET is maintained in an off-state by the control signal. The time period for which the FET is maintained in the off-state varies depending on the application and on the pulsed gate bias voltage applied during the last pulse. In order to control the electric field stress in the gate oxide, it is desirable to apply the gate bias pulses at a sufficient frequency to prevent a build-up of accumulated charge proximate to the gate oxide. For example, if it is known that the accumulated charge

build-up time is on the order of 100 mS or more, a repetition interval for the gate bias voltage pulses may be selected to be on the order of 10 mS or less.

RF Switch Circuits Adapted for Improved Oxide Reliability Using RF Signal Voltage

In another embodiment, an RF signal voltage may be used as an ACC technique. When the SOI NMOSFETs **506** and **508** are in the off-state with the exemplary applied gate bias of -2.5 V, the gate voltage will vary around the -2.5 V bias level in response to an applied AC drain signal because the resistors **510** and **514** (these resistors may have exemplary values of 10 kohm) allow the gate voltages to track the AC drain signal at one-half amplitude as described above. If a 2 V amplitude high-frequency signal (i.e., a 4 V peak-to-peak RF signal) is applied to the drain of one of the SOI NMOSFETs **506** or **508** in the off-state as V_d , the gate voltage will be moved from the quiescent level of -2.5 V to -1.5 V at a maximum and to -3.5 V at a minimum. When the gate voltage moves to -1.5 V, the accumulated charge moves toward the level that would be present in equilibrium at -1.5 V, through diffusion to the source and drain, where the accumulated holes recombine with the large concentrations of electrons. Alternatively, the accumulated charge may recombine by other processes with other electron sources. When the gate voltage moves more negative, the accumulated charge will increase, but the time spent at the more negative voltage is too short for the accumulated charge to increase significantly before the voltage moves less negative again. I.e., the recombination process at the less negative voltage will occur more rapidly than at more negative voltages, while the generation process is largely independent of voltage. Consequently, under the dynamic conditions of the present example, the net effect of the AC voltage swing in the gate voltage is to reduce the effective level of accumulated charge relative to what it would be absent the AC signal. After many cycles of RF swing, a steady-state accumulated charge level will be present that is significantly less than would be present at the DC gate bias voltage of -2.5 V. According to the present example the effective accumulated charge may be approximately at the level that would be present for an effective gate bias of -1.5 V.

Circuits Adapted for Improved Oxide Reliability Using ACC MOSFETs

In one embodiment, circuits having ACC SOI MOSFETs may be adapted for improved oxide reliability in accordance with the present CIP. The use of ACC SOI MOSFETs to control accumulated charge in RF switch circuits is described above in reference to FIGS. **5B-5D** and FIG. **6**, FIGS. **8**, and FIG. **9**. The ACC techniques as described in reference to these figures may also be adapted to improve gate oxide reliability, as described below in reference to FIG. **10**. In other embodiments, the exemplary circuit including the ACC SOI MOSFET may include, without limitation, an RF mixer, a power amplifier, a level shifting circuit, a negative voltage generator, an oscillator, a DC-DC converter or other circuit using SOI MOSFETs.

Methods for Using ACC Techniques to Improve Gate Oxide Reliability

FIG. **10A** is a flow chart of a method **1000** of implementing SOI MOSFETs using the ACC techniques of the present disclosure. At a STEP **1002**, a first circuit including one or more SOI NMOSFETs is implemented to perform circuit functions according to the prior art (i.e., without ACC).

At a STEP **1004**, the reliability of the gate oxides of the SOI NMOSFETs is determined with and without ACC. In one embodiment, the gate oxide reliability is determined by

performing time dependent dielectric breakdown (TDDB) measurements on test SOI NMOSFETs corresponding to the SOI NMOSFETs included in the first circuit. The TDDB measurements provide information relating to the lifetime of the SOI NMOSFETs due to gate oxide breakdown. The results of the TDDB measurements indicate a maximum electric field, " E_{tb} ", in the oxide that can be sustained and yet still achieve a desired lifetime (i.e., an average "time-to-breakdown" or "tb") for the SOI NMOSFETs. With a given value for E_{tb} , minimum gate oxide thicknesses and maximum bias voltages required to achieve the desired lifetime can be determined, as described below. The results of the TDDB measurements may also indicate a maximum gate-to-source bias voltage V_{gs} , that can be sustained and yet still achieve a desired lifetime for the SOI NMOSFETs. TDDB measurements are well known to persons skilled in the electronic device arts. Examples of TDDB measurement techniques are described in the above-incorporated paper by C. Hu and Q. Lu, the reference by Suehle and Chaparala, and reference by R. Bolam.

Reliability of the gate oxides is further determined with and without ACC by performing TDDB measurements of the SOI NMOSFETs operating with selected bias voltages. The measurement results provide information relating to the improved TDDB present in the gate oxides for selected bias conditions and gate oxide thicknesses. In one example of a TDDB measurement of an SOI NMOSFET, using a first gate bias $V_{g1} = -10$ V, $V_s = 0$ V, $V_d = 0$ V, and a gate oxide thickness T_{ox1} of 8.2 nm, an average time to failure of 500 seconds was determined without ACC. With ACC, the same average time to failure of 500 seconds required V_{g2} of -14 V. Thus, according to this example, using ACC enables using a second V_{g2} that is increased by a factor of approximately 40% over V_{g1} , while maintaining an equivalent TDDB lifetime. Alternatively, using ACC enables using a second T_{ox2} that is equal to T_{ox1} multiplied by a factor of approximately 1/1.4, without an adverse effect on TDDB lifetime.

Referring again to the method **1000** of FIG. **10A**, at a STEP **1006**, a second circuit, performing the same function as the first circuit, is implemented using ACC, responsive (as described in more detail below) to the determination of the reliability of the gate oxides obtained at the previous STEP **1004**. In one embodiment, the second circuit may include an ACC SOI NMOSFET having an ACS, operatively coupled to elements within the second circuit according to the teachings above. In another embodiment, the ACC technique may include use of bias voltage pulse techniques, as described above in reference to FIG. **5A**. The SOI NMOSFETs in the second circuit may incorporate a reduced thickness for their gate oxides, smaller body widths, or any combination thereof. Further, the second circuit may also be configured to include a lesser plurality of SOI NMOSFETs. For example, the plurality of SOT NMOSFETs included in a stacked RF switch circuit in the second circuit may be less than the plurality of SOI MOSFETs in the corresponding stack of the first circuit.

At a STEP **1008**, the second circuit is operated using the present ACC techniques, as described above. In one embodiment, the second circuit may comprise an RF switch operated at higher RF power levels than the first circuit.

FIG. **10B** is a flow chart of another embodiment of a method **1001** of implementing SOI MOSFETs using the ACC techniques of the present disclosure. At a STEP **1012**, a maximum electric field in the oxide, " E_{ox1} ", is determined using well known simulation techniques (e.g., using "Medici" simulation techniques, etc.) for an SOT NMOSFET having a given oxide thickness T_{ox} , operated without

ACC. Bias voltages for V_g , V_s and V_d are selected to correspond to a circuit implementation including the SOI NMOSFET operating in the off-state. In one example, set forth above, the following values may be selected: $V_g = -5$ V; $V_s = 0$ V; $V_d = 0$ V; and a gate oxide thickness T_{ox} of 8.2 nm. Using these selected values, for example, a maximum electric field $E_{ox1} = 4.3$ MV/cm is determined in the gate oxide for an uncontrolled accumulated charge.

Referring to the method **1001** of FIG. **10B**, at a STEP **1014**, a maximum electric field in the oxide, " E_{ox2} ", is determined for the SOT NMOSFET, operated with ACC, using the same selected bias voltages used in accordance with the STEP **1012**. For the illustrated example, for an accumulated charge controlled to zero value, a maximum electric field " E_{ox2} " of 2.1 MV/cm is determined. An improvement factor "**F1**", is defined according to the following expression: $F1 = E_{ox1}/E_{ox2}$.

At a STEP **1016**, a circuit including the SOI NMOSFET is implemented responsive to the improvement factor **F1**. In one embodiment of the disclosed method, the circuit is implemented by selecting a maximum gate-to-source operating voltage V_{gs} for the off-state and T_{ox} in accordance with the following equation:

$$V_{gs(max)}/T_{ox} = F1 \cdot E_{tb}; \quad (1)$$

wherein E_{tb} comprises the maximum oxide electric field for which a given TDDDB lifetime of the SOI NMOSFET can be obtained (e.g., ~ 5 MV/cm for a lifetime of 10 years is a "rule of thumb" value). More generally, the SOI NMOSFET bias voltages, maximum signal voltages, and gate oxide thicknesses can be selectively improved using the ACC techniques of the present teachings. These improvements over the prior art SOI NMOSFET devices are provided according to the improvement factor **F1**, as shall be readily appreciated by persons skilled in the electronic device design arts. Finally, at a STEP **1018**, the circuit is operated using ACC techniques as described above.

FIG. **10C** is a flow chart of another embodiment of a method **1003** of implementing SOI MOSFETs using the present ACC techniques. At a STEP **1022**, a limiting gate bias voltage, " V_{g1} ", is determined using TDDDB measurements for an SOI NMOSFET having a given oxide thickness, T_{ox} , operated in the off-state without ACC. For example, for $V_d = V_s = 0$, the limiting gate bias voltage V_{g1} represents the most negative gate bias that can be sustained to obtain a desired operating lifetime without ACC.

At a STEP **1024**, a limiting gate bias voltage V_{g2} is determined using TDDDB measurements for the SOI NMOSFET having an oxide thickness T_{ox} , operated in the off-state with ACC. For example, for $V_d = V_s = 0$, the limiting gate bias voltage V_{g2} represents the most negative gate bias that can be sustained to obtain a desired operating lifetime with ACC. An improvement factor **F2** is defined according to the following expression: $F2 = V_{g1}/V_{g2}$.

At a STEP **1026**, a circuit including the SOI NMOSFET is implemented responsive to the improvement factor, **F2**. In one embodiment of the inventive method, the circuit is implemented by selecting a maximum gate-to-source operating voltage V_{gs} for the off-state and T_{ox} according to the following equation:

$$V_{gs(max)}/T_{ox} = F2 \cdot E_{tb} \quad (2)$$

More generally, the SOI NMOSFET bias voltages, maximum signal voltages, and gate oxide thicknesses can be selectively improved over the prior art according to the improvement factor **F2**, as shall be readily appreciated by persons skilled in the electronic device arts. Referring again

to FIG. **10C**, at a STEP **1028**, as described above, the method terminates by operating the circuit using the disclosed ACC techniques.

A number of embodiments of the present inventive concept have been described. Nevertheless, it will be understood that various modifications may be made without departing from the scope of the inventive teachings. For example, it should be understood that the functions described as being part of one module may in general be performed equivalently in another module.

Accordingly, it is to be understood that the concepts described herein are not to be limited by the specific illustrated embodiments, but only by the scope of the appended claims.

What is claimed is:

1. An RF switch, comprising:

a first RF port;

a second RF port;

a first switch transistor grouping coupled with the first and second RF ports, and controlled by a first switch control signal, the first switch transistor grouping comprising a first plurality of switch NMOSFETs arranged in a stacked configuration;

a shunt transistor grouping coupled with the first RF port and with ground, and controlled by a shunt control signal, the shunt transistor grouping comprising a plurality of shunt NMOSFETs arranged in a stacked configuration, wherein at least one of the plurality of shunt NMOSFETs comprises a first body and a first accumulated charge sink (ACS) coupled with the first body and configured so that when the at least one shunt NMOSFET is disabled, a first negative bias voltage that is substantially negative with respect to ground applied to the first ACS substantially prevents accumulated charge from accumulating in the first body of the at least one shunt NMOSFET; and

a silicon-on-insulator substrate, wherein the first switch transistor grouping and the shunt transistor grouping are fabricated in a silicon layer of the silicon-on-insulator substrate so that when the first switch transistor grouping is enabled by the first switch control signal and the shunt transistor grouping is disabled by the shunt control signal, a signal on the first RF port is passed through to the second RF port, and when the first switch transistor grouping is disabled by the first switch control signal and the shunt transistor grouping is enabled by the shunt control signal, the signal on the first RF port is grounded.

2. The RF switch of claim **1**, wherein at least one of the first plurality of switch NMOSFETs has a second body and a second accumulated charge sink (ACS) coupled with the second body and configured so that when the at least one switch NMOSFET is disabled, a second negative bias voltage that is substantially negative with respect to ground applied to the second ACS substantially prevents accumulated charge from accumulating in the second body of the at least one switch NMOSFET.

3. The RF switch of claim **2**, wherein the at least one switch NMOSFET includes a gate, and wherein the gate of the at least one switch NMOSFET and the second ACS are coupled together and also coupled with the first switch control signal.

4. The RF switch of claim **2**, wherein the at least one shunt NMOSFET includes a gate, and wherein the gate of the at least one shunt NMOSFET and the first ACS are coupled together and also coupled with the shunt control signal.

51

5. The RF switch of claim 2, wherein the at least one switch NMOSFET includes a gate, and wherein a diode is coupled between the at least one switch NMOSFET gate and the second ACS such that the diode prevents current flow into the second body when the at least one switch NMOSFET is enabled.

6. The RF switch of claim 2, wherein the at least one shunt NMOSFET includes a gate, and wherein a diode is coupled between the at least one shunt NMOSFET gate and the first ACS such that the diode prevents current flow into the first body when the at least one shunt NMOSFET is enabled.

7. The RF switch of claim 2, wherein the at least one switch NMOSFET includes a gate, and wherein an electrical device is coupled between the gate and the second ACS such that the electrical device prevents current flow into the second body when the at least one switch NMOSFET is enabled.

8. The RF switch of claim 2, wherein the at least one shunt NMOSFET includes a gate, and wherein an electrical device is coupled between the gate and the first ACS such that the electrical device prevents current flow into the first body when the at least one shunt NMOSFET is enabled.

9. The RF switch of claim 2, wherein the couplings comprise at least one of the following coupling types: capacitive; inductive; electro-magnetic; and resistive coupling, including a "short" resistive coupling wherein the resistive value of the coupling comprises approximately zero ohms.

10. The RF switch of claim 2, wherein the first and second negative bias voltages are substantially more negative than the lowest voltage value of ground, a threshold voltage (V_{th}), a source voltage (V_s), and a drain voltage (V_d).

11. The RF switch of claim 2, wherein the first and second negative bias voltages are at least one volt more negative than the lowest voltage value of ground, a threshold voltage (V_{th}), a source voltage (V_s), and a drain voltage (V_d).

12. The RF switch of claim 2, wherein each NMOSFET has an associated and respective gate voltage V_g , and wherein the associated gate voltage is at least one volt more negative than the lowest voltage value of ground, a threshold voltage (V_{th}), a source voltage (V_s), and a drain voltage (V_d).

13. The RF switch of claim 2, further comprising:

a third RF port; and

a second switch transistor grouping coupled with the second and third RF ports wherein the second switch transistor grouping comprises a second plurality of switch NMOSFETs arranged in a stacked configuration, wherein at least one of the second plurality of switch NMOSFETs has a third body and a third accumulated charge sink (ACS) coupled to the third body and configured so that when the at least one switch NMOSFET of the second plurality of switch NMOSFETs is disabled, a third negative bias voltage that is substantially negative with respect to ground applied to the third ACS substantially prevents accumulated charge from accumulating in the third body.

14. The RF switch of claim 13, wherein preventing accumulated charge from accumulating in the third body of the at least one switch NMOSFET improves linearity of the signal passed through to the second RF port.

15. The RF switch of claim 1, wherein the shunt transistor grouping comprises at least three NMOSFETs.

16. The RF switch of claim 1, wherein the shunt transistor grouping comprises at least six NMOSFETs.

17. The RF switch of claim 1, wherein the shunt transistor grouping comprises at least nine NMOSFETs.

52

18. The RF switch of claim 2, wherein the first switch transistor grouping comprises at least three NMOSFETs.

19. The RF switch of claim 2, wherein the first switch transistor grouping comprises at least six NMOSFETs.

20. The RF switch of claim 2, wherein the first switch transistor grouping comprises at least nine NMOSFETs.

21. The RF switch of claim 2, wherein the first switch transistor grouping comprises at least twelve NMOSFETs.

22. The RF switch of claim 2, wherein the first switch transistor grouping comprises at least fifteen NMOSFETs.

23. The RF switch of claim 13, wherein the second switch transistor grouping comprises at least three NMOSFETs.

24. The RF switch of claim 13, wherein the second switch transistor grouping comprises at least six NMOSFETs.

25. The RF switch of claim 13, wherein the second switch transistor grouping comprises at least nine NMOSFETs.

26. The RF switch of claim 13, wherein the second switch transistor grouping comprises at least twelve NMOSFETs.

27. The RF switch of claim 13, wherein the second switch transistor grouping comprises at least fifteen NMOSFETs.

28. The RF switch of claim 2, wherein the at least one shunt NMOSFET further comprises an electrical contact region proximate to the first ACS, and wherein the electrical contact region facilitates coupling to the first body.

29. The RF switch of claim 2, wherein the at least one switch NMOSFET further comprises an electrical contact region proximate to the second ACS, and wherein the electrical contact region facilitates coupling to the second body.

30. The RF switch of claim 13, wherein the at least one second switch NMOSFET further comprises an electrical contact region proximate to the third ACS, and wherein the electrical contact region facilitates coupling to the third body.

31. The RF switch according to claim 1, wherein the first switch control signal enabling the first plurality of switch NMOSFETs has a voltage of approximately +2.5 Volts, and wherein the [switch and shunt control signals] shunt control signal enabling the plurality of shunt NMOSFETs [have] has a voltage of approximately +2.5 Volts.

32. The RF switch according to claim 1, wherein the first switch control signal disabling the first plurality of switch NMOSFETs has a voltage of approximately -2.5 Volts, and wherein the [switch and shunt control signals] shunt control signal disabling the plurality of shunt NMOSFETs [have] has a voltage of approximately -2.5 Volts.

33. The RF switch according to claim 1, wherein the NMOSFETs comprise partially depleted NMOSFETs.

34. The RF switch according to claim 1, wherein the NMOSFETs comprise fully depleted NMOSFETs.

35. The RF switch of claim 1, wherein the silicon layer of the silicon-on-insulator substrate has a thickness between approximately 100 angstroms to approximately 2,000 angstroms.

36. The RF switch of claim 2, wherein the second body has a thickness between approximately 100 angstroms to approximately 2,000 angstroms.

37. The RF switch of claim 13, wherein the third body has a thickness between approximately 100 angstroms to approximately 2,000 angstroms.

38. The RF switch of claim 10, wherein the silicon layer of the silicon-on-insulator substrate has a thickness between approximately 100 angstroms to approximately 2,000 angstroms.

53

39. The RF switch of claim 11, wherein the silicon layer of the silicon-on-insulator substrate has a thickness between approximately 100 angstroms to approximately 2,000 angstroms.

40. The RF switch of claim 12, wherein the silicon layer of the silicon-on-insulator substrate has a thickness between approximately 100 angstroms to approximately 2,000 angstroms.

41. The RF switch of claim 1, wherein the first switch transistor grouping and the shunt transistor grouping are fabricated in a silicon layer on an insulating layer, and wherein the switch NMOSFETs and shunt NMOSFETs have associated and corresponding sources and drains, and wherein the sources and drains of the switch and shunt NMOSFETs extend substantially proximate the insulating layer.

42. The RF switch of claim 2, wherein the first switch transistor grouping and the shunt transistor grouping are fabricated in a silicon layer on an insulating layer, and wherein the switch NMOSFETs and shunt NMOSFETs have associated and corresponding sources and drains, and wherein the sources and drains of the switch and shunt NMOSFETs extend substantially proximate the insulating layer.

43. The RF switch of claim 13, wherein the first switch transistor grouping and the shunt transistor grouping are fabricated in a silicon layer on an insulating layer, and wherein the switch NMOSFETs and shunt NMOSFETs have associated and corresponding sources and drains, and wherein the sources and drains of the switch and shunt NMOSFETs extend substantially proximate the insulating layer.

44. The RF switch of claim 10, wherein the first switch transistor grouping and the shunt transistor grouping are fabricated in a silicon layer on an insulating layer, and wherein the switch NMOSFETs and shunt NMOSFETs have associated and corresponding sources and drains, and wherein the sources and drains of the switch and shunt NMOSFETs extend substantially proximate the insulating layer.

45. The RF switch of claim 11, wherein the first switch transistor grouping and the shunt transistor grouping are fabricated in a silicon layer on an insulating layer, and wherein the switch NMOSFETs and shunt NMOSFETs have associated and corresponding sources and drains, and wherein the sources and drains of the switch and shunt NMOSFETs extend substantially proximate the insulating layer.

46. The RF switch of claim 12, wherein the first switch transistor grouping and the shunt transistor grouping are fabricated in a silicon layer on an insulating layer, and wherein the switch NMOSFETs and shunt NMOSFETs have associated and corresponding sources and drains, and wherein the sources and drains of the switch and shunt NMOSFETs extend substantially proximate the insulating layer.

47. A circuit routing RF signals, comprising:

a first RF port;

a second RF port;

a third RF port;

a plurality of stacked shunt NMOSFETs coupled with the first RF port and ground, and controlled by a shunt control signal, wherein at least one of the plurality of stacked shunt NMOSFETs comprises a first body and a first accumulated charge sink (ACS) coupled with the first body and configured so that when the at least one shunt NMOSFET is disabled, a first negative bias

54

voltage that is substantially negative with respect to ground applied to the first ACS substantially prevents accumulated charge from accumulating in the first body of the at least one shunt NMOSFET;

a first plurality of first stacked switch NMOSFETs coupled with the first and second RF ports, and controlled by a first switch control signal, wherein at least one of the first plurality of first switch NMOSFETs has a second body and a second accumulated charge sink (ACS) coupled with the second body and configured so that when the at least one first switch NMOSFET is disabled, a second negative bias voltage that is substantially negative with respect to ground applied to the second ACS substantially prevents accumulated charge from accumulating in the second body of the at least one first switch NMOSFET;

a second plurality of second stacked switch NMOSFETs coupled with the second and third RF ports, wherein at least one of the second plurality of second switch NMOSFETs has a third body and a third accumulated charge sink (ACS) coupled to the third body and configured so that when the at least one second switch NMOSFET is disabled, a third negative bias voltage that is substantially negative with respect to ground applied to the third ACS substantially prevents accumulated charge from accumulating in the third body; and

a silicon-on-insulator substrate, wherein the shunt, first switch and second switch NMOSFETs are fabricated in a silicon layer of the silicon-on-insulator substrate.

48. The circuit of claim 47, wherein when the first switch NMOSFETs are enabled by the first switch control signal, the shunt NMOSFETs are disabled by the shunt control signal and the at least one second switch NMOSFET is disabled, a signal on the first RF port is passed through to the second RF port, and wherein preventing accumulated charge from accumulating in the third body of the at least one second switch NMOSFET improves linearity of the signal passed through to the second port.

49. The circuit of claim 47, wherein the silicon layer of the silicon-on-insulator substrate has a thickness between approximately 100 angstroms to approximately 2,000 angstroms.

50. The circuit of claim 48, wherein the silicon layer of the silicon-on-insulator substrate has a thickness between approximately 100 angstroms to approximately 2,000 angstroms.

51. An RF switch, comprising:

a first RF port;

a second RF port;

a first switch transistor grouping coupled to the first RF port and to the second RF port and comprising a first plurality of switch NMOSFETs arranged in a stacked configuration;

a first shunt transistor grouping coupled to the first RF port and to ground and comprising a first plurality of shunt NMOSFETs arranged in a stacked configuration, wherein at least one of the first plurality of shunt NMOSFETs comprises a first gate, a first source, a first drain, a first body, and a first accumulated charge sink (ACS) coupled to the first body,

wherein a first ACS bias voltage is applied to the first ACS,

wherein the first ACS is in electrical communication with the first body and is configured so that when the at least one shunt NMOSFET of the first plurality of shunt NMOSFETs is operated in an off-state (non-conducting

55

state), the first ACS bias voltage is substantially negative with respect to ground to substantially prevent accumulated charge from accumulating in the first body of the at least one shunt NMOSFET; and wherein the first switch transistor grouping and the first shunt transistor grouping are fabricated on a silicon-on-insulator substrate.

52. The RF switch of claim 51, wherein preventing accumulated charge from accumulating in the first body of the at least one shunt NMOSFET improves linearity of the at least one shunt NMOSFET.

53. The RF switch of claim 52, wherein the first ACS is positioned proximate a first distal end of the first body.

54. The RF switch of claim 52, wherein the at least one shunt NMOSFET of the first plurality of shunt NMOSFETs further comprises a first electrical contact region, wherein the first electrical contact region and the first ACS are coterminous.

55. The RF switch of claim 54, wherein the first electrical contact region is positioned proximate to and in electrical contact with the first ACS.

56. The RF switch of claim 52, wherein the first ACS is electrically coupled to the gate.

57. The RF switch of claim 52, wherein the first ACS bias voltage applied to the first ACS is negative with respect to ground and has a magnitude of approximately 2.5V in an off-state (non-conducting state).

58. The RF switch of claim 57, wherein the first ACS bias voltage applied to the first ACS has a voltage level in an on-state (conducting state) that is different from a voltage level in an off-state (non-conducting state).

59. The RF switch of claim 51, further comprising:
a third RF port;
a second switch transistor grouping coupled to the third RF port and to the second RF port and comprising a second plurality of switch NMOSFETs arranged in a stacked configuration,

wherein at least one of the second plurality of switch NMOSFETs comprises a second gate, a second source, a second drain, a second body, and a second accumulated charge sink (ACS) coupled to the second body, wherein a second ACS bias voltage is applied to the second ACS, wherein the second ACS is in electrical communication with the second body and is configured so that when the at least one switch NMOSFET of the second plurality of switch NMOSFETs is operated in an off-state (non-conducting state), the second ACS bias voltage is substantially negative with respect to ground to substantially prevent accumulated charge from accumulating in the second body of the at least one switch NMOSFET of the second plurality of switch NMOSFETs; and

wherein the second switch transistor grouping is fabricated on the silicon-on-insulator substrate.

60. The RF switch of claim 59, wherein preventing accumulated charge from accumulating in the second body of the at least one switch NMOSFET of the second plurality of switch NMOSFETs improves linearity of [the] a signal passed through to the second RF port.

61. The RF switch of claim 60, wherein the first ACS is positioned proximate a first distal end of the first body and the second ACS is positioned proximate a second distal end of the second body.

62. The RF switch of claim 61, wherein [the] a first electrical contact region is positioned proximate to and in electrical contact with the first ACS, and wherein [the] a

56

second electrical contact region is positioned proximate to and in electrical contact with the second ACS.

63. The RF switch of claim 60, wherein the first ACS [and second ACS are] is electrically coupled to the first gate, and wherein the second ACS is electrically coupled to the second gate.

64. The RF switch of claim 60, wherein the first ACS bias voltage applied to the first ACS and the second ACS bias voltage applied to the second ACS are negative with respect to ground and have a magnitude of approximately 2.5V in an off-state (non-conducting state).

65. The RF switch of claim 64, wherein the first ACS bias voltage applied to the first ACS and the second ACS bias voltage applied to the second ACS have a voltage level in an on-state (conducting state) that is different from a voltage level in an off-state (non-conducting state).

66. The RF switch of claim 60, wherein the first ACS bias voltage and the second ACS bias voltage have the same magnitude.

67. The RF switch of claim 51, wherein the first switch transistor grouping and the first shunt transistor grouping are fabricated in a silicon layer having a thickness between approximately 100 angstroms to approximately 2,000 angstroms.

68. The RF switch of claim 51, wherein the first switch transistor grouping and the first shunt transistor grouping are fabricated in a silicon layer on the silicon-on-insulator substrate, and wherein the switch NMOSFETs and shunt NMOSFETs have associated and corresponding sources and drains, and wherein the sources and drains of the switch and shunt NMOSFETs extend substantially proximate the substrate.

69. The RF switch of claim 51, wherein the first body has a thickness between approximately 100 angstroms to approximately 2,000 angstroms.

70. The RF switch of claim 59, wherein the second body has a thickness between approximately 100 angstroms to approximately 2,000 angstroms.

71. An RF switch, comprising:
a first RF port;
a second RF port;
a first switch transistor grouping coupled to the first RF port and to the second RF port and comprising a first plurality of switch NMOSFETs arranged in a stacked configuration;
a first shunt transistor grouping coupled to the first RF port and to ground and comprising a first plurality of shunt NMOSFETs arranged in a stacked configuration, wherein at least one of the first plurality of shunt NMOSFETs comprises a first gate, a first source, a first drain, a first body, and a first accumulated charge sink (ACS) coupled to the first body, wherein a first ACS bias voltage is applied to the first ACS,

wherein the first ACS is in electrical communication with the first body and is configured so that when the at least one shunt NMOSFET of the first plurality of shunt NMOSFETs is operated in an off-state (non-conducting state), the first ACS bias voltage is substantially more negative than the lesser of a first source bias voltage applied to the first source and a first drain bias voltage applied to the first drain to substantially prevent accumulated charge from accumulating in the first body of the at least one shunt NMOSFET; and wherein the first switch transistor grouping and the first shunt transistor grouping are fabricated on a silicon-on-insulator substrate.

57

72. The RF switch of claim 71, wherein preventing accumulated charge from accumulating in the first body of the at least one shunt NMOSFET improves linearity of the at least one shunt NMOSFET.

73. The RF switch of claim 72, wherein the first ACS is positioned proximate a first distal end of the first body.

74. The RF switch of claim 72, wherein the first ACS is electrically coupled to the gate.

75. The RF switch of claim 72, wherein the first ACS bias voltage applied to the first ACS is negative with respect to ground and has a magnitude of approximately 2.5V in an off-state (non-conducting state).

76. The RF switch of claim 75, wherein the first ACS bias voltage applied to the first ACS has a voltage level in an on-state (conducting state) that is different from a voltage level in an off-state (non-conducting state).

77. The RF switch of claim 71, further comprising:
a third RF port;

a second switch transistor grouping coupled to the third RF port and to the second RF port and comprising a second plurality of switch NMOSFETs arranged in a stacked configuration,

wherein at least one of the second plurality of switch NMOSFETs comprises a second gate, a second source, a second drain, a second body, and a second accumulated charge sink (ACS) coupled to the second body, wherein a second ACS bias voltage is applied to the second ACS,

wherein the second ACS is in electrical communication with the second body and is configured so that when the at least one switch NMOSFET of the second plurality of switch NMOSFETs is operated in an off-state (non-conducting state), the second ACS bias voltage is substantially more negative than the lesser of a second source bias voltage applied to the second source and a second drain bias voltage applied to the second drain to substantially prevent accumulated charge from accumulating in the second body of the at least one switch NMOSFET of the second plurality of switch NMOSFETs; and

wherein the second switch transistor grouping is fabricated on the silicon-on-insulator substrate.

78. The RF switch of claim 77, wherein preventing accumulated charge from accumulating in the second body of the at least one switch NMOSFET of the second plurality of switch NMOSFETs improves linearity of [the] a signal passed through to the second RF port.

79. The RF switch of claim 78, wherein the first ACS is positioned proximate a first distal end of the first body and the second ACS is positioned proximate a second distal end of the second body.

80. The RF switch of claim 78, wherein the first ACS [and second ACS are] is electrically coupled to the first gate, and wherein the second ACS is electrically coupled to the second gate.

81. The RF switch of claim 78, wherein the first ACS bias voltage applied to the first ACS and the second ACS bias voltage applied to the second ACS are negative with respect to ground and have a magnitude of approximately 2.5V in an off-state (non-conducting state).

82. The RF switch of claim 81, wherein the first ACS bias voltage applied to the first ACS and the second ACS bias voltage applied to the second ACS have a voltage level in an on-state (conducting state) that is different from a voltage level in an off-state (non-conducting state).

58

83. The RF switch of claim 78, wherein the first ACS bias voltage and the second ACS bias voltage have the same magnitude.

84. The RF switch of claim 71, wherein the first switch transistor grouping and the first shunt transistor grouping are fabricated in a silicon layer having a thickness between approximately 100 angstroms to approximately 2,000 angstroms.

85. The RF switch of claim 71, wherein the first body has a thickness between approximately 100 angstroms to approximately 2,000 angstroms.

86. The RF switch of claim 71, wherein the first switch transistor grouping and the first shunt transistor grouping are fabricated in a silicon layer on the substrate, and wherein the first source and first drain extend substantially proximate the substrate.

87. The RF switch of claim 78, wherein the first switch transistor grouping and the first shunt transistor grouping are fabricated in a silicon layer having a thickness between approximately 100 angstroms to approximately 2,000 angstroms.

88. An RF switch, comprising:

a first RF port;

a second RF port;

a first switch transistor grouping coupled to the first RF port and to the second RF port and comprising a first plurality of switch NMOSFETs arranged in a stacked configuration;

a first shunt transistor grouping coupled to the first RF port and to ground and comprising a first plurality of shunt NMOSFETs arranged in a stacked configuration, wherein at least one of the first plurality of shunt NMOSFETs comprises a first gate, a first source, a first drain, a first body, a first accumulated charge sink (ACS) coupled to the first body, wherein the first ACS is positioned proximate a first distal end of the first body and is in electrical communication with the first body, and a second accumulated charge sink (ACS) coupled to the first body, wherein the second ACS is positioned proximate a second distal end of the first body and is in electrical communication with the first body,

wherein a first ACS bias voltage is applied to the first ACS and second ACS,

wherein, when the at least one shunt NMOSFET of the first plurality of shunt NMOSFETs is configured to operate in an off-state (non-conducting state), the first ACS bias voltage is substantially negative with respect to ground to substantially prevent accumulated charge from accumulating in the first body of the at least one shunt NMOSFET; and

wherein the first switch transistor grouping and the first shunt transistor grouping are fabricated on a silicon-on-insulator substrate.

89. The RF switch of claim 88, wherein preventing accumulated charge from accumulating in the first body of the at least one shunt NMOSFET of the first plurality of shunt NMOSFETs improves linearity of the at least one shunt NMOSFET.

90. The RF switch of claim 89, further comprising:

a first electrical contact region positioned proximate to and in electrical communication with the first ACS, wherein the first electrical contact region facilitates electrical coupling to the first ACS; and

a second electrical contact region positioned proximate to and in electrical communication with the second ACS, wherein the second electrical contact region facilitates electrical coupling to the second ACS.

59

91. The RF switch of claim 90, wherein the first ACS and second ACS are electrically coupled to the gate.

92. The RF switch of claim 89, wherein the first ACS bias voltage applied to the first ACS and the second ACS are negative with respect to ground and have a magnitude of approximately 2.5V in an off-state (non-conducting state).

93. The RF switch of claim 92, wherein the first ACS bias voltage applied to the first ACS and the *second* ACS has a voltage level in an on-state (conducting state) that is different from a voltage level in an off-state (non-conducting state).

94. The RF switch of claim 88, wherein the first switch transistor grouping and the first shunt transistor grouping are fabricated in a silicon layer having a thickness between approximately 100 angstroms to approximately 2,000 angstroms.

95. The RF switch of claim 88, wherein the first body has a thickness between approximately 100 angstroms to approximately 2,000 angstroms.

96. The RF switch of claim 88, wherein the first switch transistor grouping and the first shunt transistor grouping are fabricated in a silicon layer on the substrate, and wherein the first source and first drain extend substantially proximate the substrate.

97. An RF switch, comprising:

a first RF port;

a second RF port;

a first switch transistor grouping coupled to the first RF port and to the second RF port and comprising a first plurality of switch NMOSFETs arranged in a stacked configuration;

a first shunt transistor grouping coupled to the first RF port and to ground and comprising a first plurality of shunt NMOSFETs arranged in a stacked configuration, wherein at least one of the first plurality of shunt NMOSFETs comprises a first gate, a first source, a first drain, a first body, a first accumulated charge sink (ACS) coupled to the first body, wherein the first ACS is positioned proximate a first distal end of the first body and is in electrical communication with the first body, and a second accumulated charge sink (ACS) coupled to the first body, wherein the second ACS is positioned proximate a second distal end of the first body and is in electrical communication with the first body, wherein a first ACS bias voltage is applied to the first ACS and second ACS,

60

wherein, when the at least one shunt NMOSFET of the first plurality of shunt NMOSFETs is configured to operate in an off-state (non-conducting state), the first ACS bias voltage is substantially more negative than the lesser of a first source bias voltage applied to the first source and a first drain bias voltage applied to the first drain to substantially prevent accumulated charge from accumulating in the first body of the at least one shunt NMOSFET; and

wherein the first switch transistor grouping and the first shunt transistor grouping are fabricated on a silicon-on-insulator substrate.

98. The RF switch of claim 97, wherein preventing accumulated charge from accumulating in the first body of the at least one shunt NMOSFET of the first plurality of shunt NMOSFETs improves linearity of the at least one shunt NMOSFET.

99. The RF switch of claim 98, further comprising:

a first electrical contact region positioned proximate to and in electrical communication with the first ACS, wherein the first electrical contact region facilitates electrical coupling to the first ACS; and

a second electrical contact region positioned proximate to and in electrical communication with the second ACS, wherein the second electrical contact region facilitates electrical coupling to the second ACS.

100. The RF switch of claim 99, wherein the first ACS and second ACS are electrically coupled to the gate.

101. The RF switch of claim 98, wherein the first ACS bias voltage applied to the first ACS and the second ACS has a voltage level in an on-state (conducting state) that is different from a voltage level in an off-state (non-conducting state).

102. The RF switch of claim 97, wherein the first switch transistor grouping and the first shunt transistor grouping are fabricated in a silicon layer having a thickness between approximately 100 angstroms to approximately 2,000 angstroms.

103. The RF switch of claim 98, wherein the first body has a thickness between approximately 100 angstroms to approximately 2,000 angstroms.

104. The RF switch of claim 97, wherein the first switch transistor grouping and the first shunt transistor grouping are fabricated in a silicon layer on the substrate, and wherein the first source and first drain extend substantially proximate the substrate.

* * * * *