



US00RE48833E

(19) **United States**
(12) **Reissued Patent**
Frederiksen et al.

(10) **Patent Number:** **US RE48,833 E**
(45) **Date of Reissued Patent:** **Nov. 23, 2021**

(54) **METHOD AND APPARATUS FOR PROVIDING AUTOMATIC CONTROL CHANNEL MAPPING**

(71) Applicant: **NOKIA TECHNOLOGIES OY**, Espoo (FI)

(72) Inventors: **Frank Frederiksen**, Klarup (DK); **Troels Kolding**, Klarup (DK)

(73) Assignee: **NOKIA TECHNOLOGIES OY**, Espoo (FI)

(21) Appl. No.: **16/049,202**

(22) Filed: **Jul. 30, 2018**

Related U.S. Patent Documents

Reissue of:

(64) Patent No.: **9,520,981**
Issued: **Dec. 13, 2016**
Appl. No.: **12/596,714**
PCT Filed: **Jan. 11, 2008**
PCT No.: **PCT/IB2008/000063**
§ 371 (c)(1),
(2) Date: **May 20, 2010**
PCT Pub. No.: **WO2008/084392**
PCT Pub. Date: **Jul. 17, 2008**

U.S. Applications:

(60) Provisional application No. 60/884,759, filed on Jan. 12, 2007.

(51) **Int. Cl.**
H04L 5/02 (2006.01)
H04L 27/26 (2006.01)
H04W 28/18 (2009.01)
H04W 72/00 (2009.01)
H04L 5/00 (2006.01)

(52) **U.S. Cl.**
CPC **H04L 5/023** (2013.01); **H04L 5/0044** (2013.01); **H04W 28/18** (2013.01); **H04W 72/00** (2013.01)

(58) **Field of Classification Search**
CPC . **H04L 27/2608**; **H04L 5/0044**; **H04L 5/0046**; **H04L 5/023**; **H04W 28/18**; **H04W 72/00**
See application file for complete search history.

(56) **References Cited**

U.S. PATENT DOCUMENTS

5,381,443 A * 1/1995 Borth et al. 370/329
5,627,880 A * 5/1997 Rozanski et al. 370/335
5,907,545 A * 5/1999 Arai et al. 370/342
6,031,864 A * 2/2000 Bauchot et al. 370/322
6,072,787 A * 6/2000 Hamalainen H04J 3/1647
370/335
6,496,532 B1 * 12/2002 Raitola et al. 375/132

(Continued)

FOREIGN PATENT DOCUMENTS

WO 2008014275 1/2008

OTHER PUBLICATIONS

Jan. 31, 2020 Communication pursuant to Article 94(3) EPC issued in European Patent Application No. 08702226.5.

(Continued)

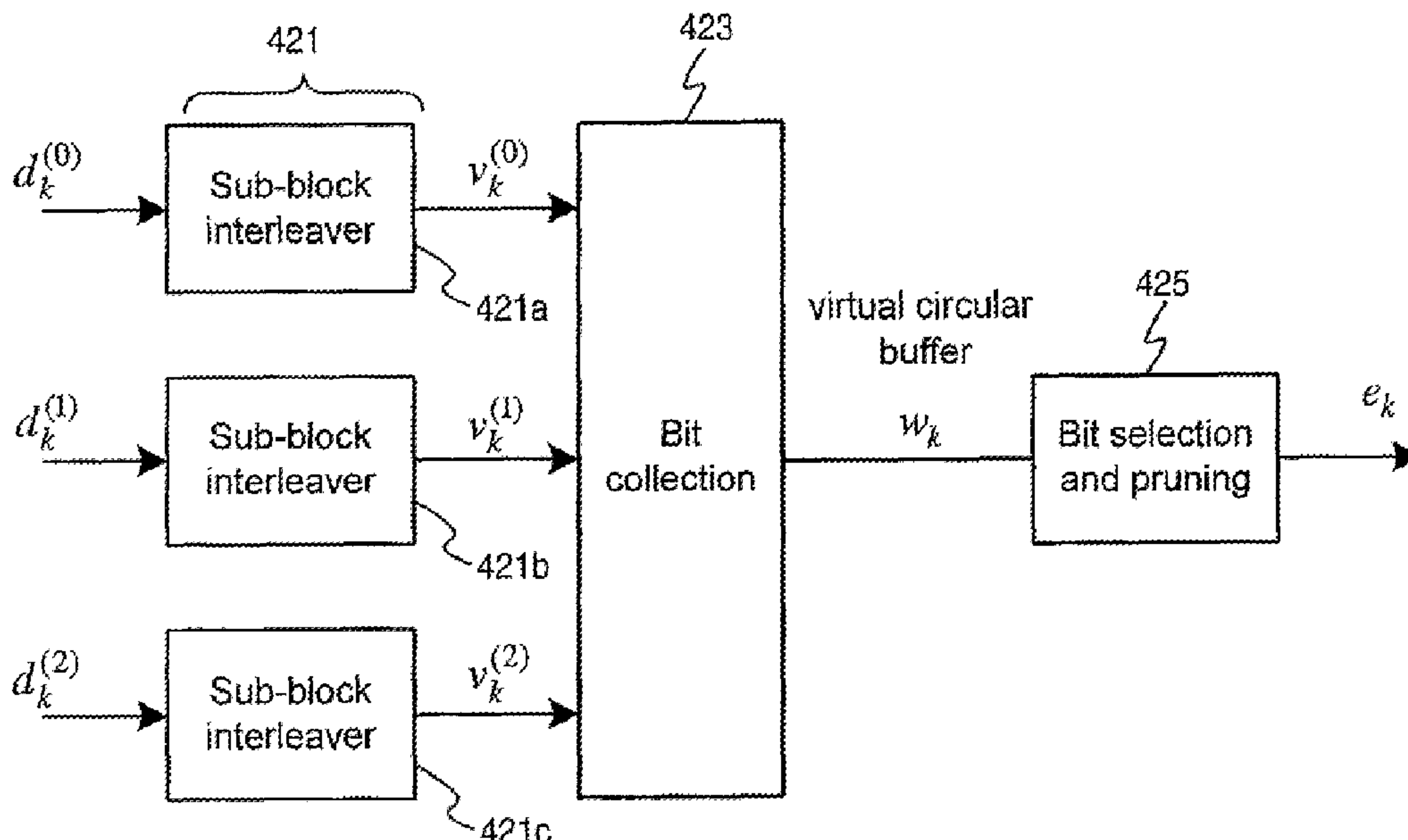
Primary Examiner — David E England

(74) *Attorney, Agent, or Firm* — Squire Patton Boggs (US) LLP

(57) **ABSTRACT**

An approach is provided for control signaling. A sub-set of channel parameters is received. Control channels are automatically mapped to physical resources of a communication network according to the received channel parameters.

16 Claims, 15 Drawing Sheets



(56)

References Cited

U.S. PATENT DOCUMENTS

6,519,259 B1 * 2/2003 Baker et al. 370/395.4
 6,567,461 B1 * 5/2003 Moon H04J 13/102
 375/145
 6,728,233 B1 * 4/2004 Park H04W 28/18
 370/335
 6,741,580 B1 * 5/2004 Kim H04W 48/12
 370/337
 8,254,360 B2 * 8/2012 Julian H04W 74/002
 370/343
 8,619,719 B2 * 12/2013 Wengerter H04L 1/0017
 370/335
 9,520,981 B2 * 12/2016 Frederiksen H04L 5/023
 9,648,606 B2 * 5/2017 Wengerter H04L 1/06
 2001/0001609 A1 * 5/2001 Mikuni et al. 370/337
 2001/0014608 A1 * 8/2001 Backstrom et al. 455/450
 2003/0069042 A1 * 4/2003 Sato et al. 455/561
 2003/0072293 A1 * 4/2003 Fischer 370/345
 2003/0112777 A1 * 6/2003 Li et al. H04J 13/0048
 370/335
 2004/0023659 A1 * 2/2004 Xiao H04W 52/325
 455/450
 2004/0082333 A1 * 4/2004 Ito et al. 455/450
 2004/0190482 A1 * 9/2004 Baum et al. 370/347
 2004/0264421 A1 * 12/2004 Sato et al. 370/337
 2005/0002349 A1 * 1/2005 Hayashi et al. 370/320
 2005/0041629 A1 * 2/2005 Lee H04B 7/264
 370/342
 2005/0052991 A1 * 3/2005 Kadous 370/216
 2005/0070320 A1 * 3/2005 Dent 455/516
 2005/0111397 A1 * 5/2005 Attar H04W 28/18
 370/319
 2005/0120097 A1 6/2005 Walton
 2005/0195784 A1 * 9/2005 Freedman et al. 370/338
 2005/0254442 A1 * 11/2005 Proctor et al. 370/294
 2006/0056360 A1 * 3/2006 Parkvall et al. 370/335
 2006/0133262 A1 * 6/2006 Sutivong et al. 370/329
 2006/0215603 A1 * 9/2006 Nishio et al. 370/329
 2006/0252389 A1 * 11/2006 Yellin et al. 455/115.3
 2006/0285601 A1 * 12/2006 Julian et al. 370/208
 2007/0064669 A1 * 3/2007 Classon et al. 370/347
 2007/0076587 A1 * 4/2007 Kwon et al. 370/208

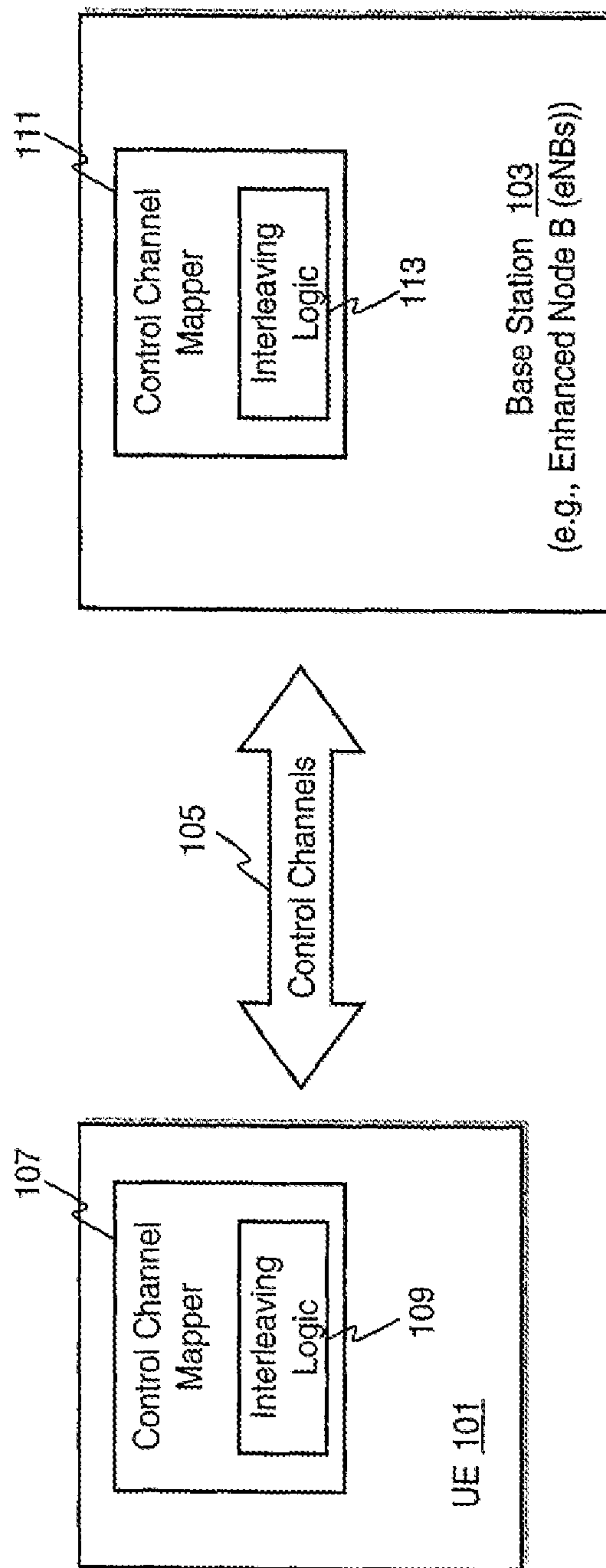
2007/0117570 A1 * 5/2007 Noh et al. 370/208
 2007/0121547 A1 * 5/2007 Huh et al. H04W 72/10
 370/329
 2007/0211616 A1 * 9/2007 Khandekar et al. 370/203
 2007/0230405 A1 * 10/2007 Yin et al. 370/208
 2008/0080459 A1 * 4/2008 Kotecha et al. 370/342
 2008/0085718 A1 * 4/2008 Kuchibhotla et al. 455/452.1
 2008/0247337 A1 * 10/2008 Li et al. 370/280
 2008/0293355 A1 * 11/2008 Giloh 455/3.02
 2009/0028103 A1 * 1/2009 Wang et al. 370/329
 2009/0059860 A1 * 3/2009 Maltsev et al. 370/330
 2009/0149187 A1 * 6/2009 Miki et al. 370/330
 2009/0290563 A1 * 11/2009 Gu et al. 370/338
 2009/0303913 A1 * 12/2009 Yu et al. 375/267

OTHER PUBLICATIONS

Nokia; "Structure and transport of the Downlink Control Channel", 3GPP Draft; R1-070398, 3RD Generation Partnership Project (3GPP), Mobile Competence Centre, vol. RAN WG1; 20070110, Jan. 10, 2007 (Jan. 10, 2007), XP050104430, Sophia-Antipolis Cedex; France.
 European Office Action dated May 8, 2018, issued in corresponding EP Application No. 08 702 226.5-1207.
 European Office Action issued in corresponding European Patent Application No. 08 702 226.5-1207 dated Jan. 11, 2021.
 NTT Docomo et al; "Coding Scheme of L1/L2 Control Channel for E-UTRA Downlink", 3GPP TSG-RAN WG1 Meeting AD HOC LTE, p. 1-19, Jun. 27, 2006.
 International Search Report and Written Opinion for Related Application No. PCT/IB2008/000063 received on Sep. 18, 2008, p. 1-13.
 Office Action received in corresponding Chinese Application No. 200880006093.1, Dated Oct. 18, 2011, 14 pages.
 Chinese Office Action, dated Aug. 31, 2012; Issued on corresponding Application No. 200880006093.1.
 Office Action dated Mar. 7, 2013 issued in corresponding Chinese Patent Application No. 200880006093.1.
 Office Action mailed Sep. 6, 2013, issued in corresponding CN Patent Appln No. 200880006093.1 (with English translation).
 Office Action dated Mar. 5, 2014, issued in corresponding CN Patent Application No. 200880006093.1.

* cited by examiner

FIG. 1



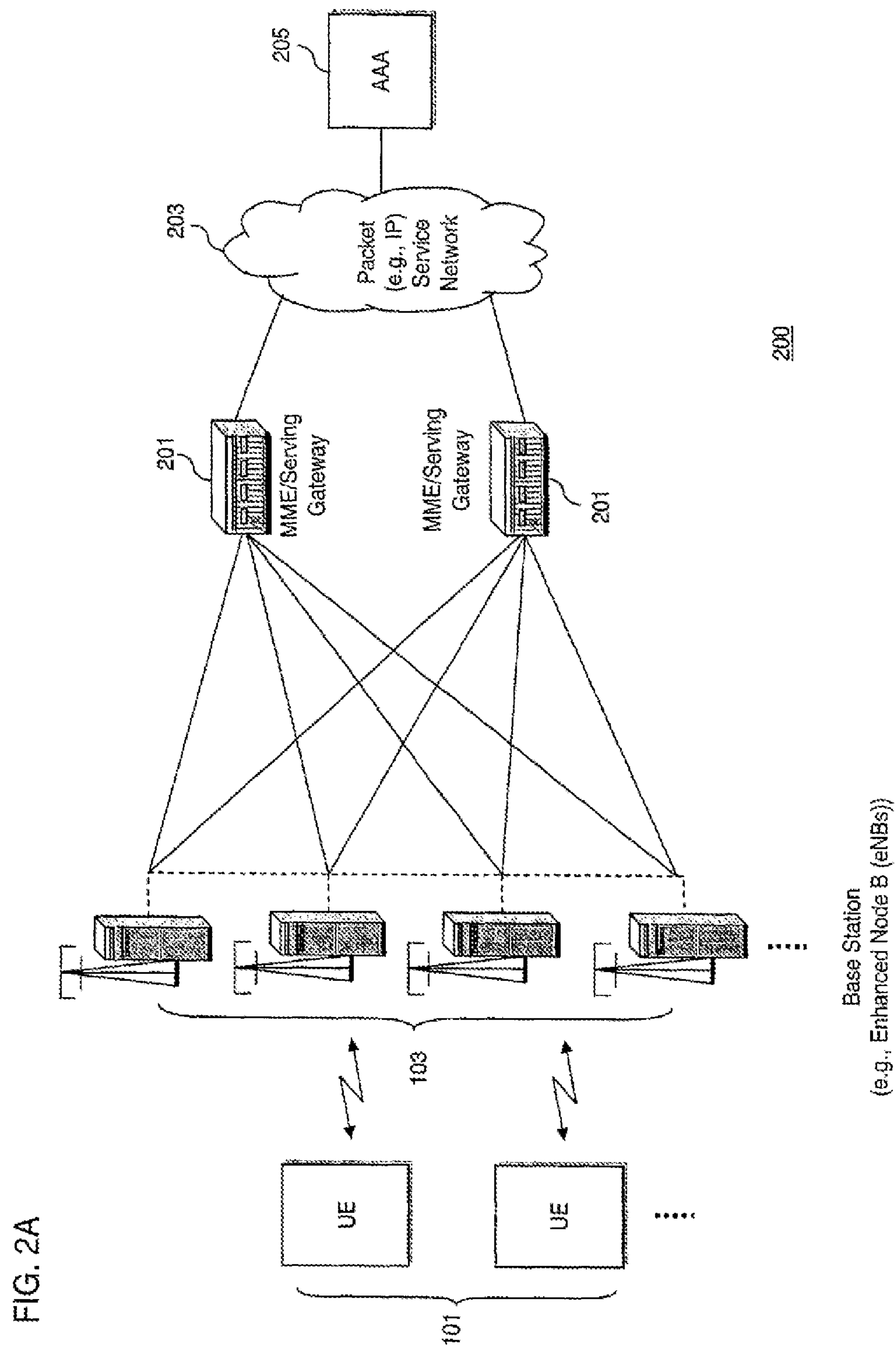
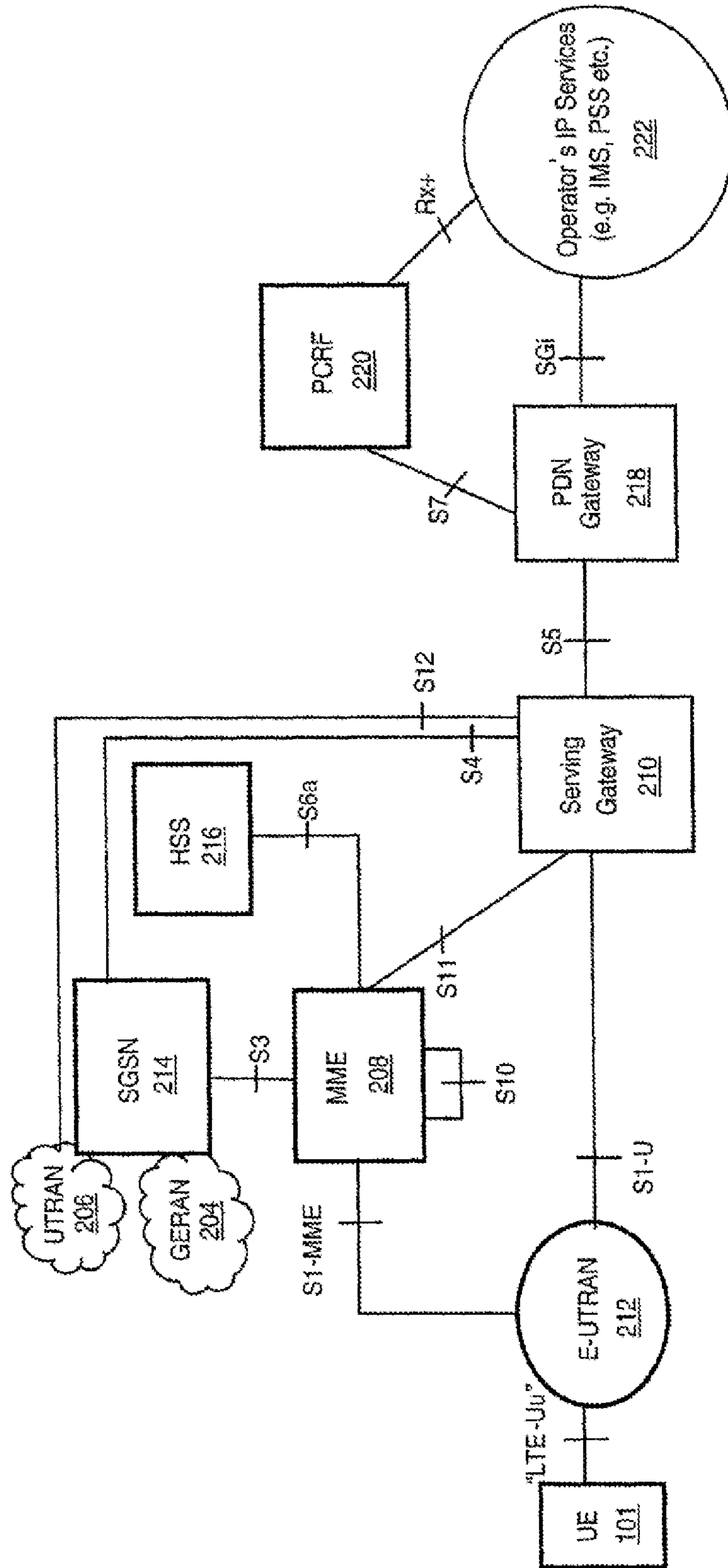


FIG. 2A

FIG. 2B



202

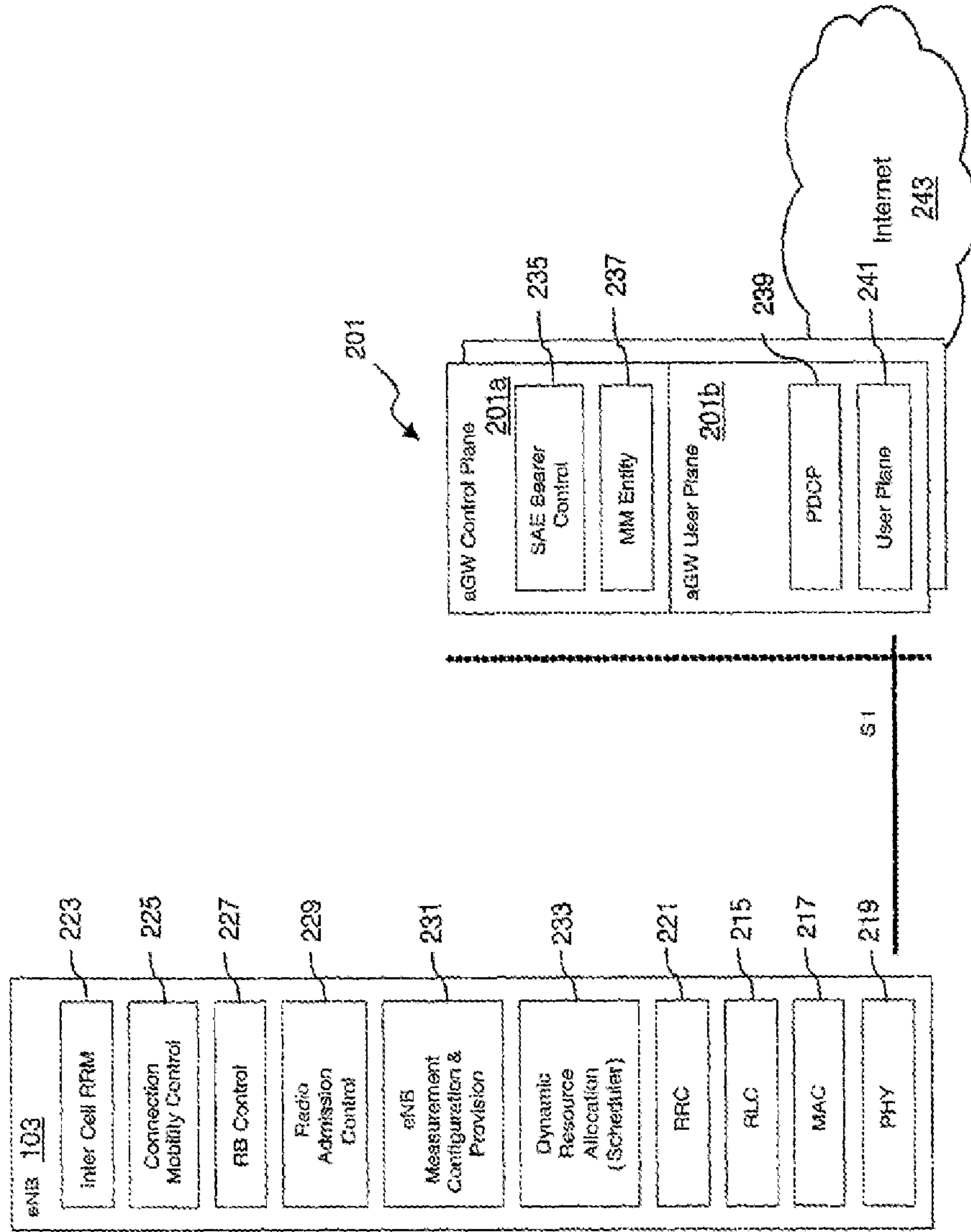


FIG. 2C

FIG. 2D

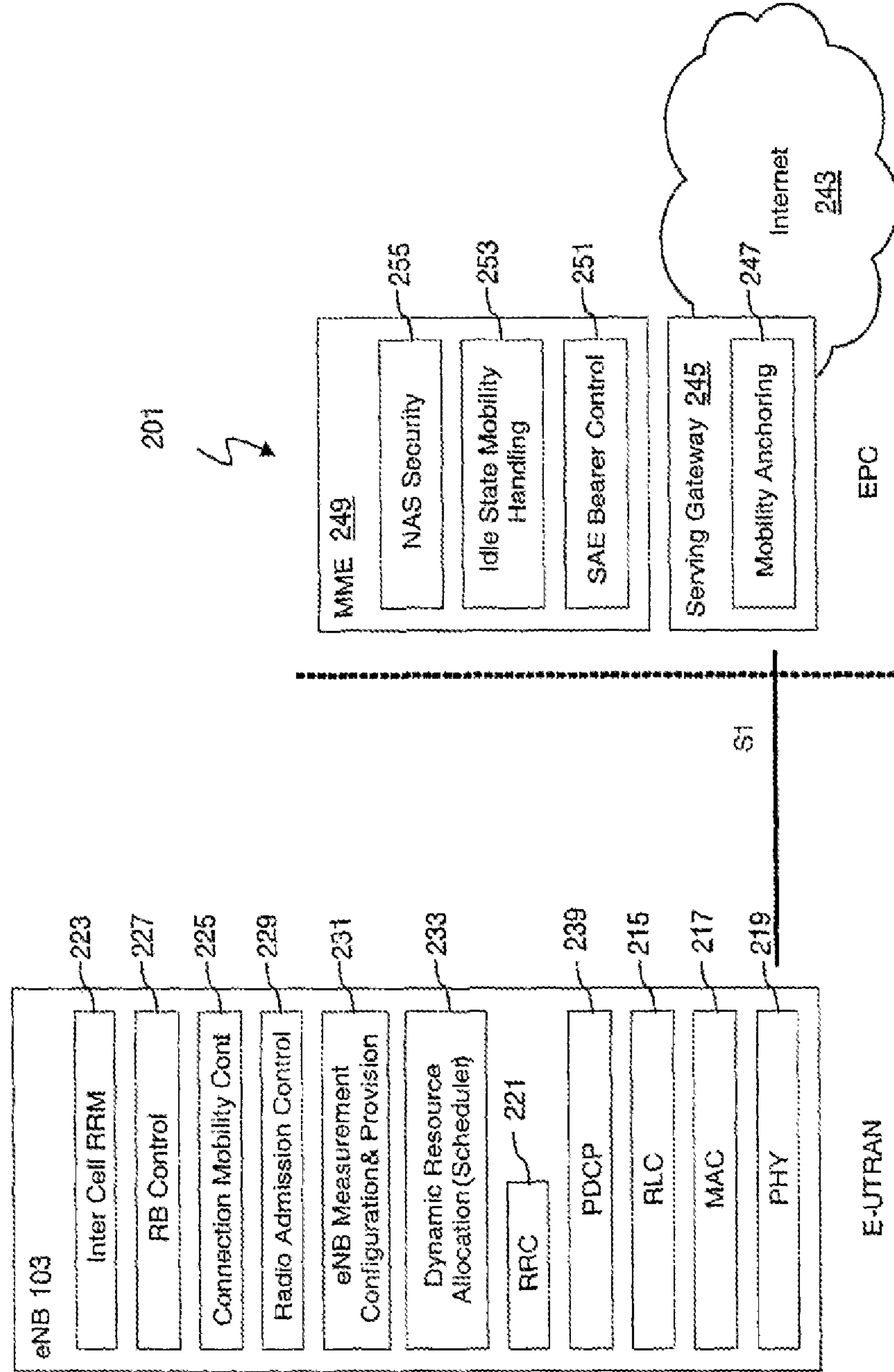


FIG. 3

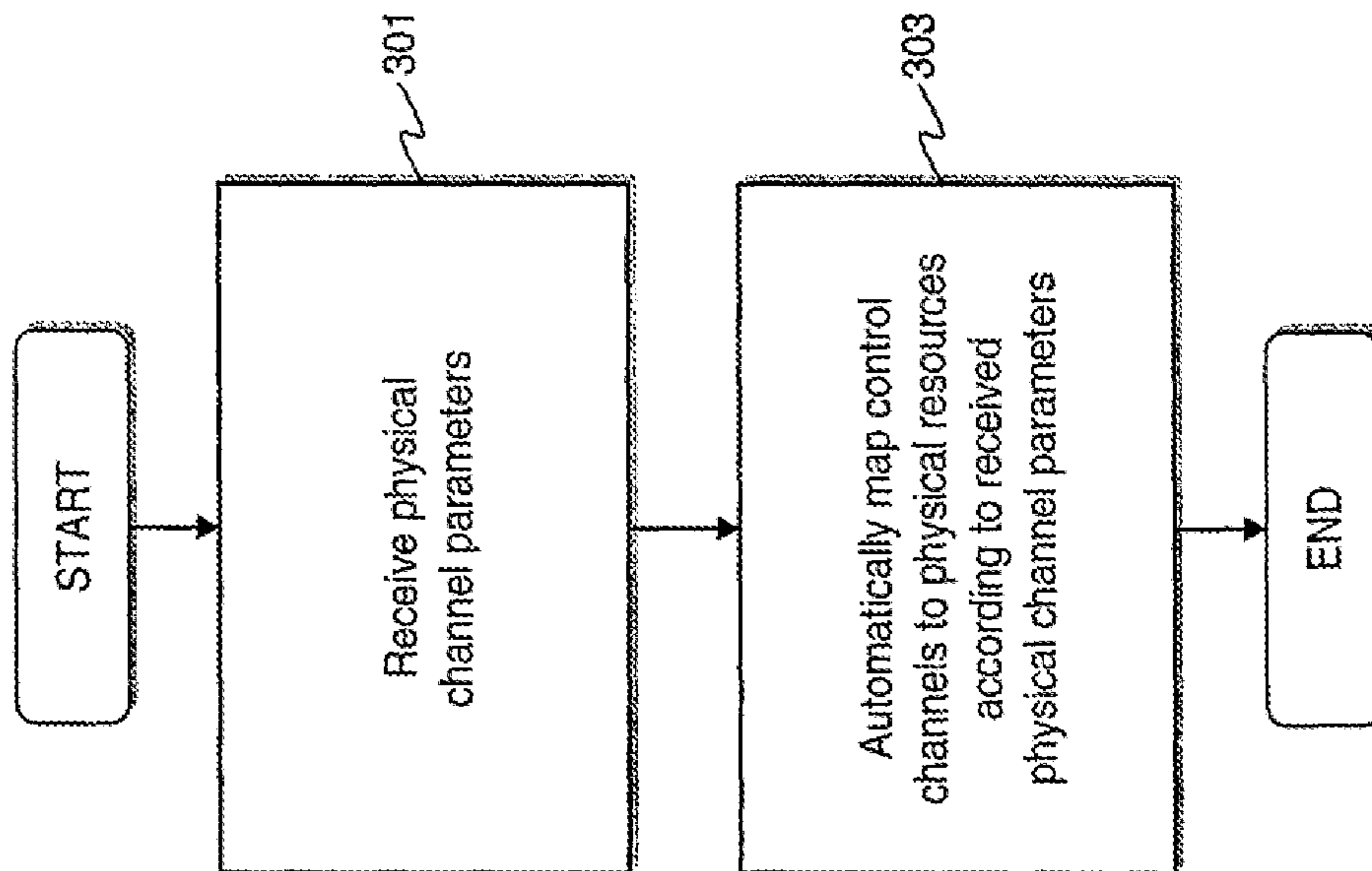


FIG. 4A

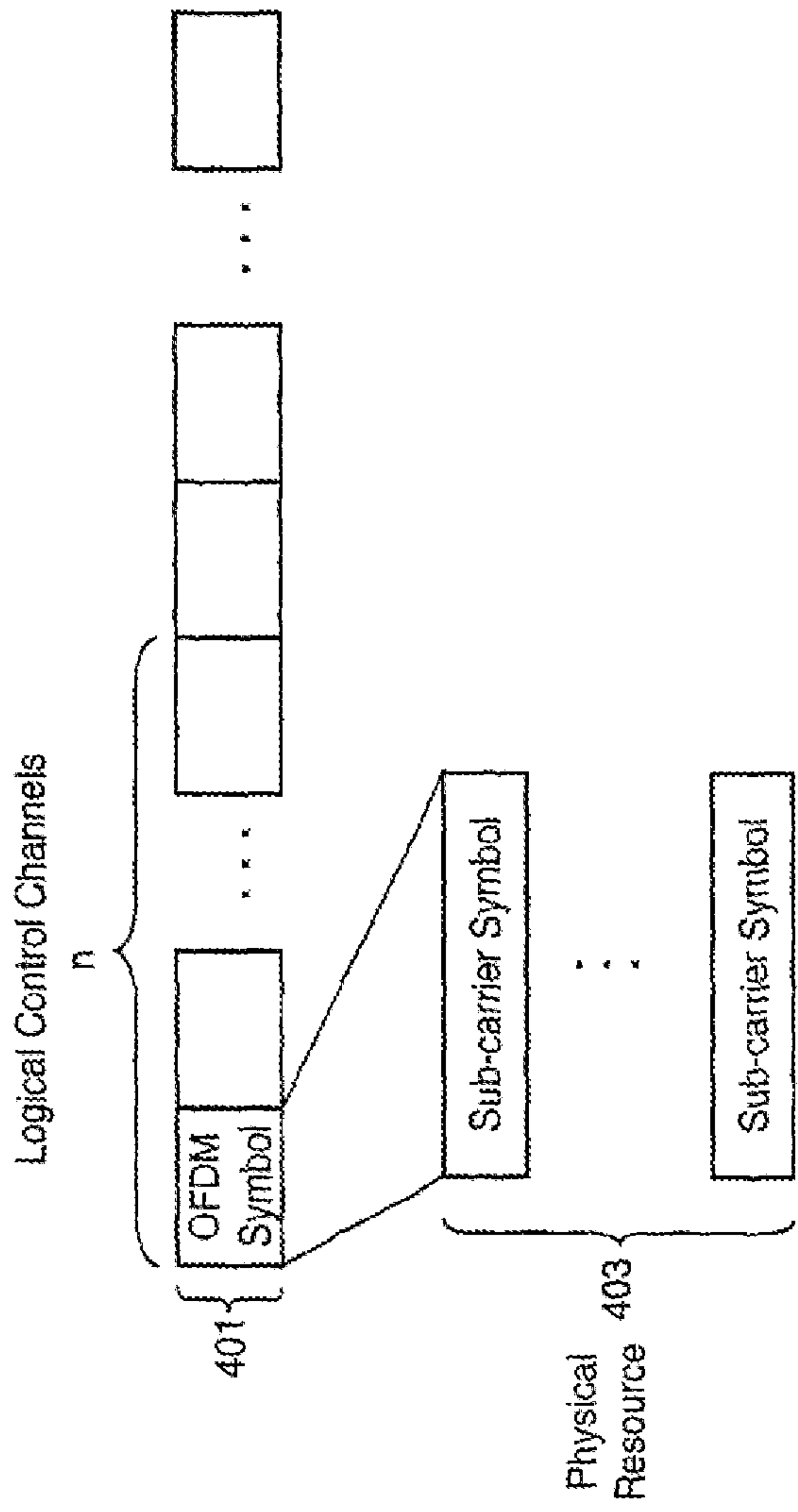


FIG. 4B

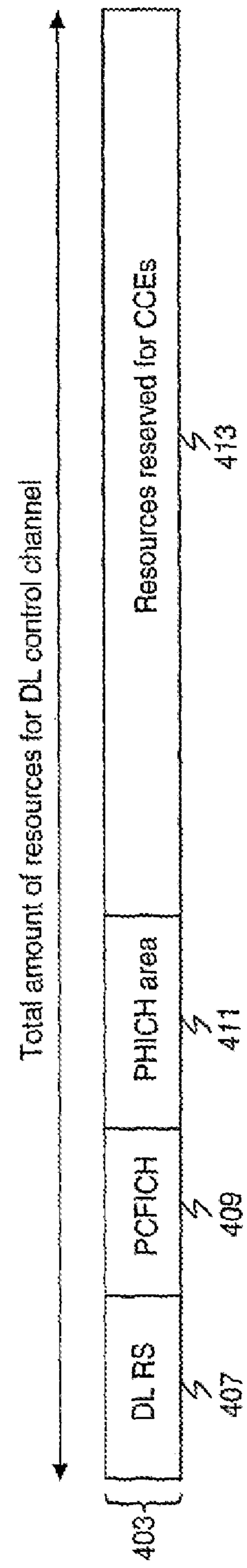


FIG. 4C

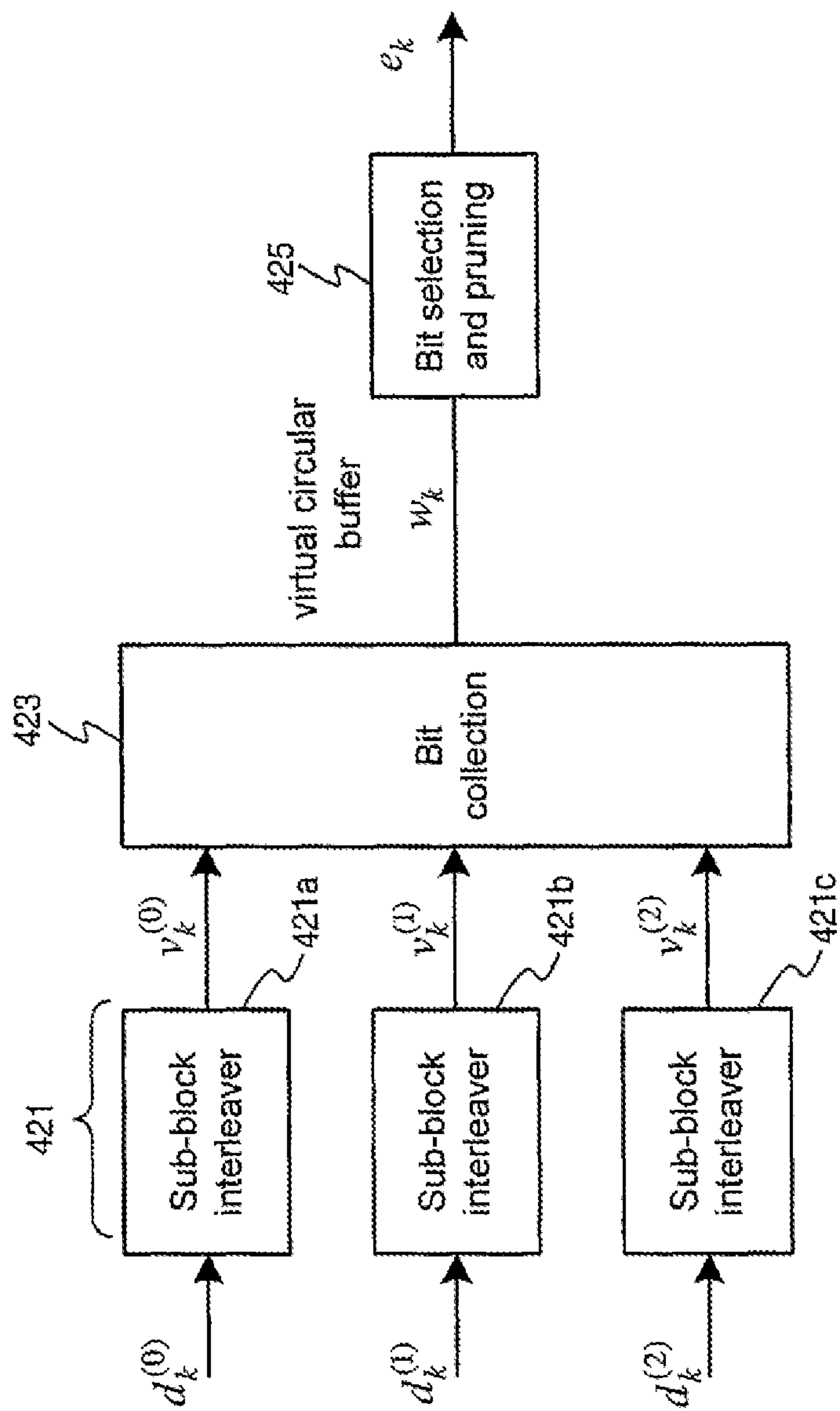


FIG. 5

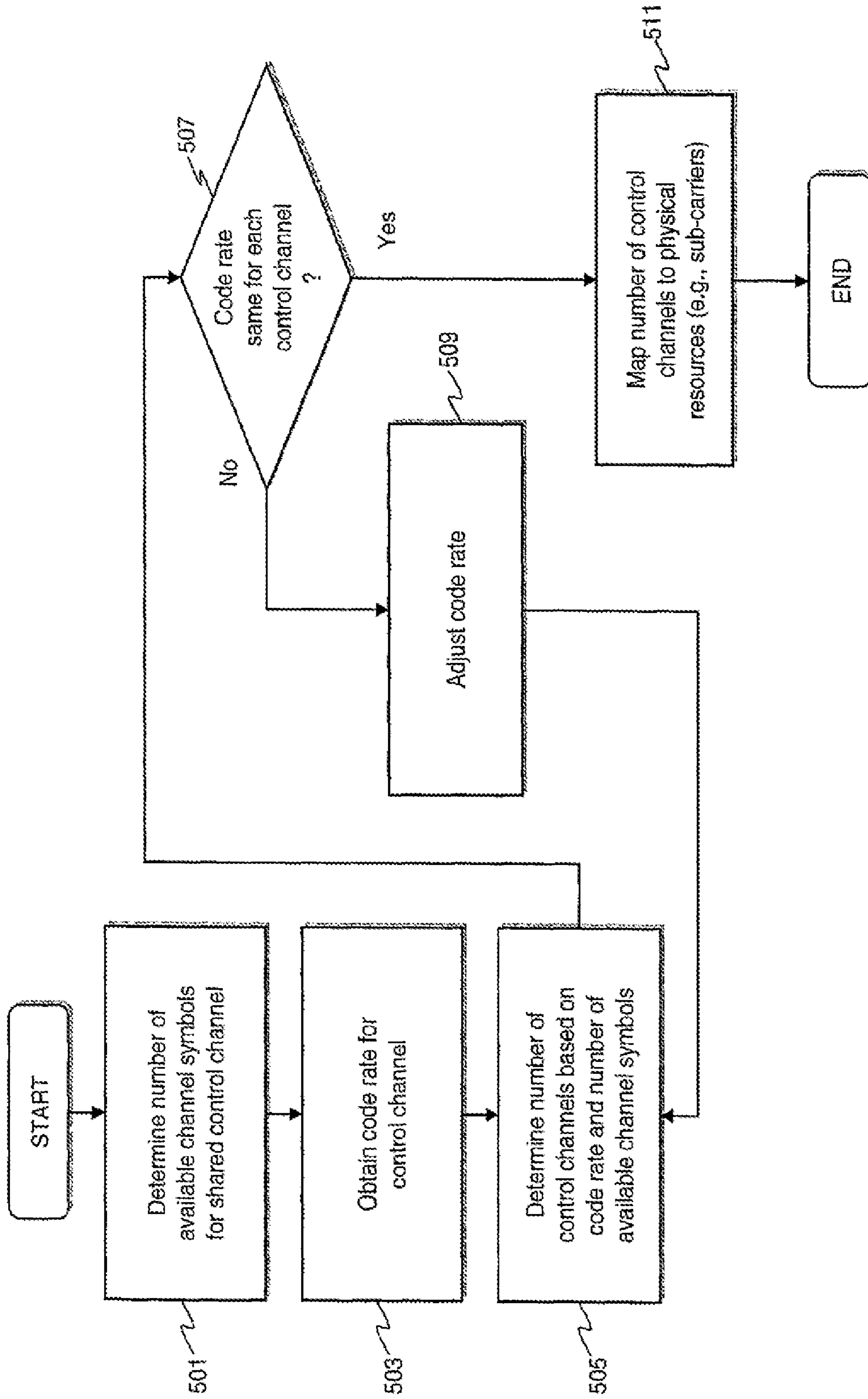
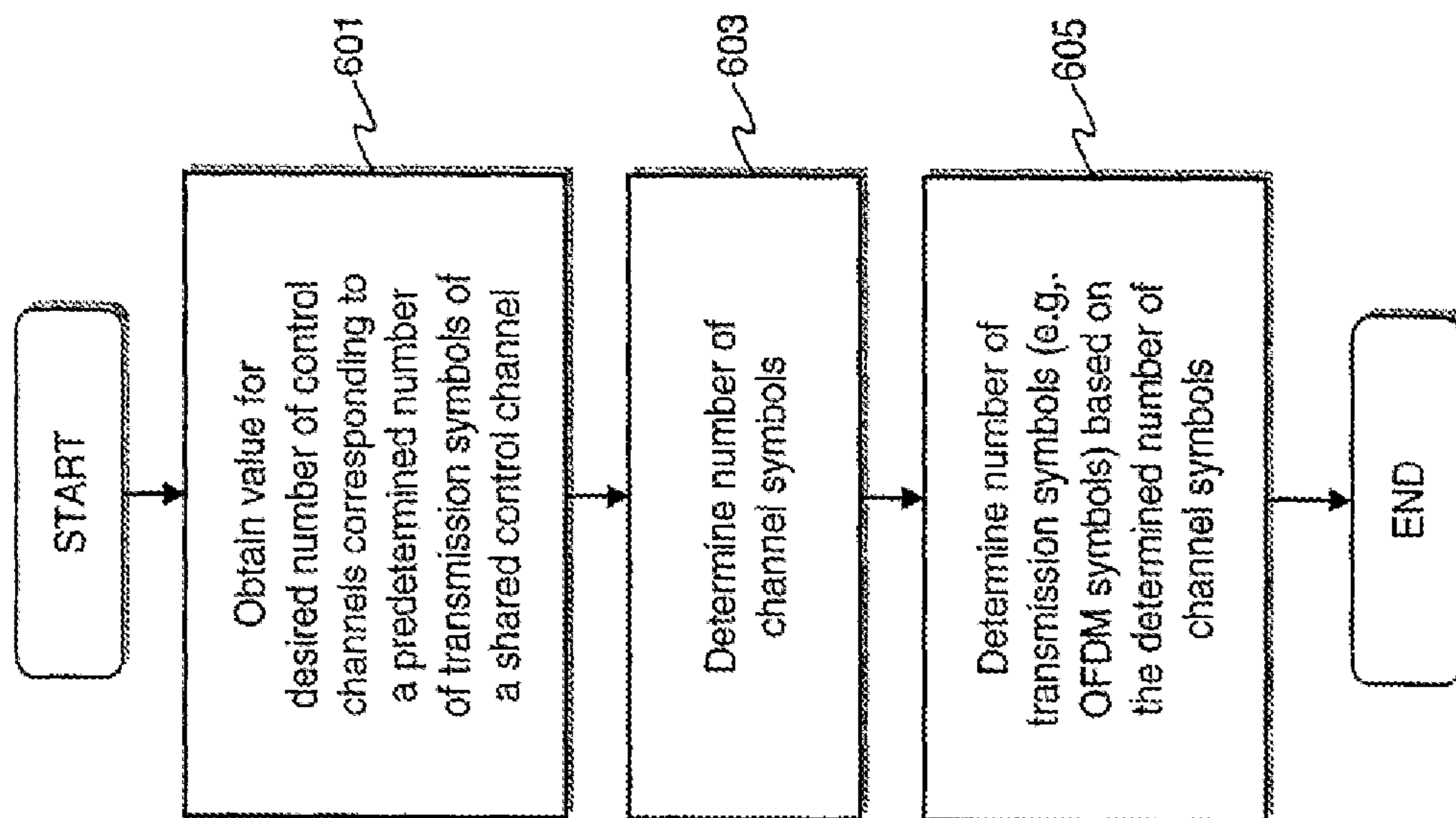


FIG. 6



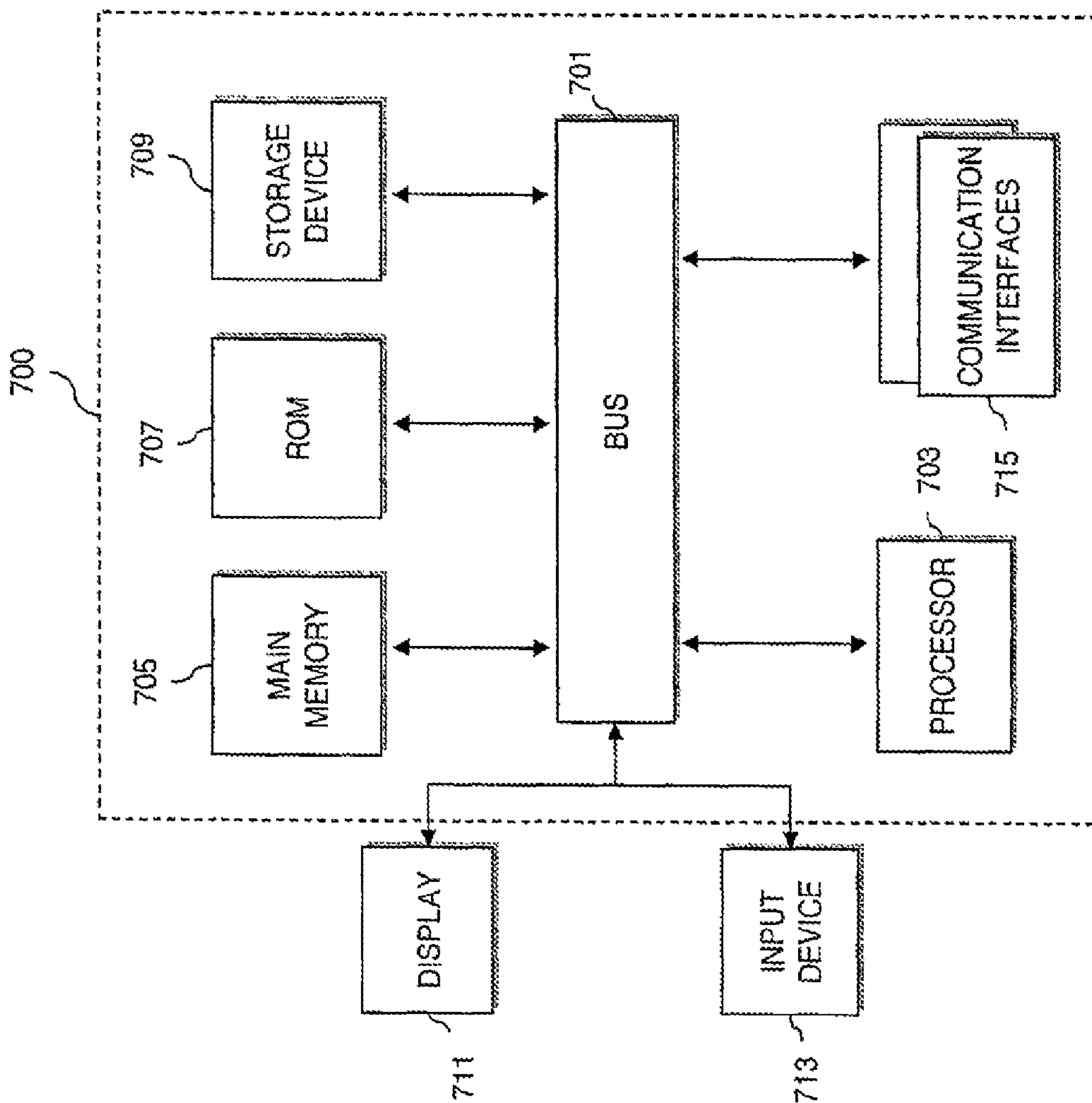
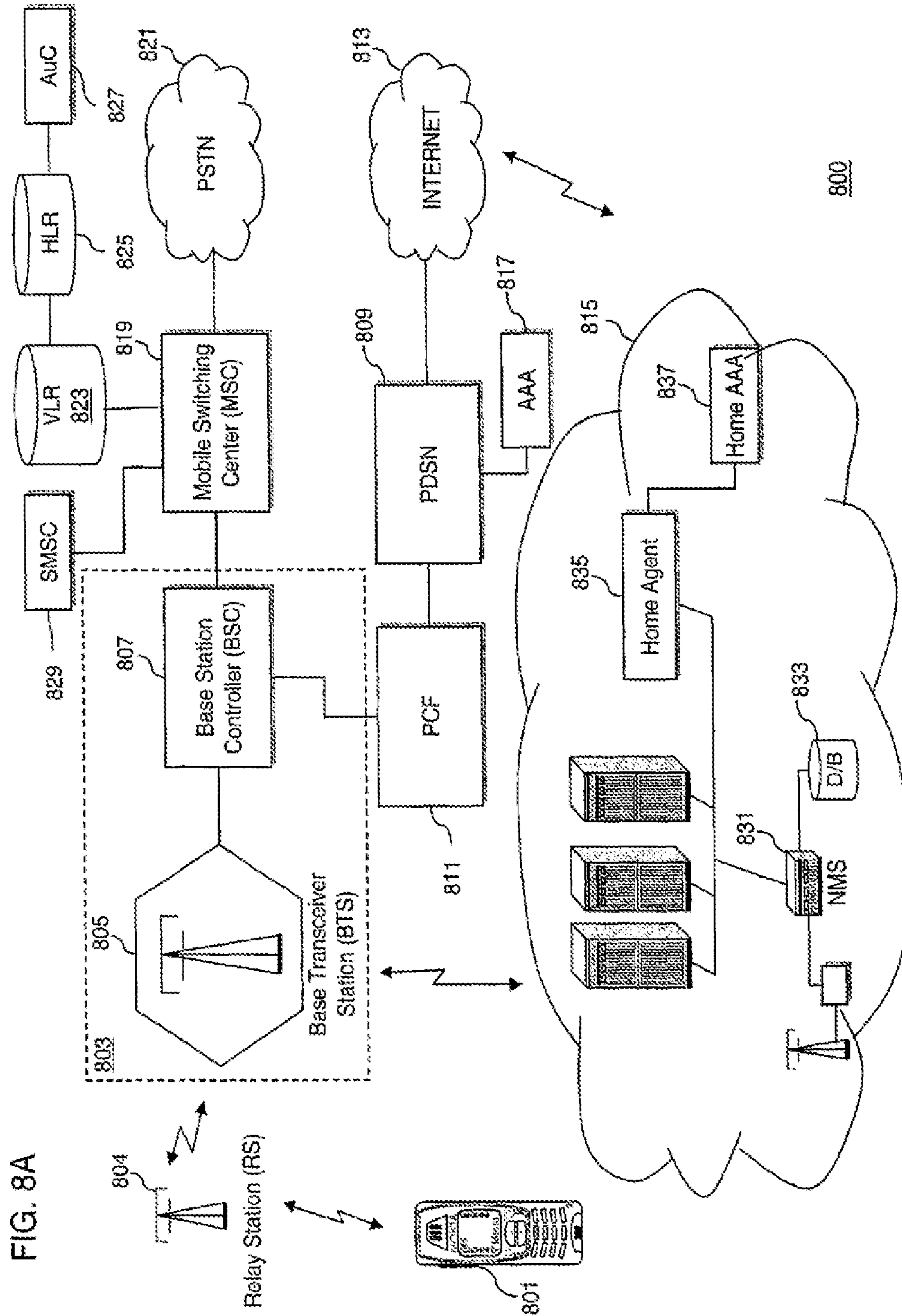


FIG. 7



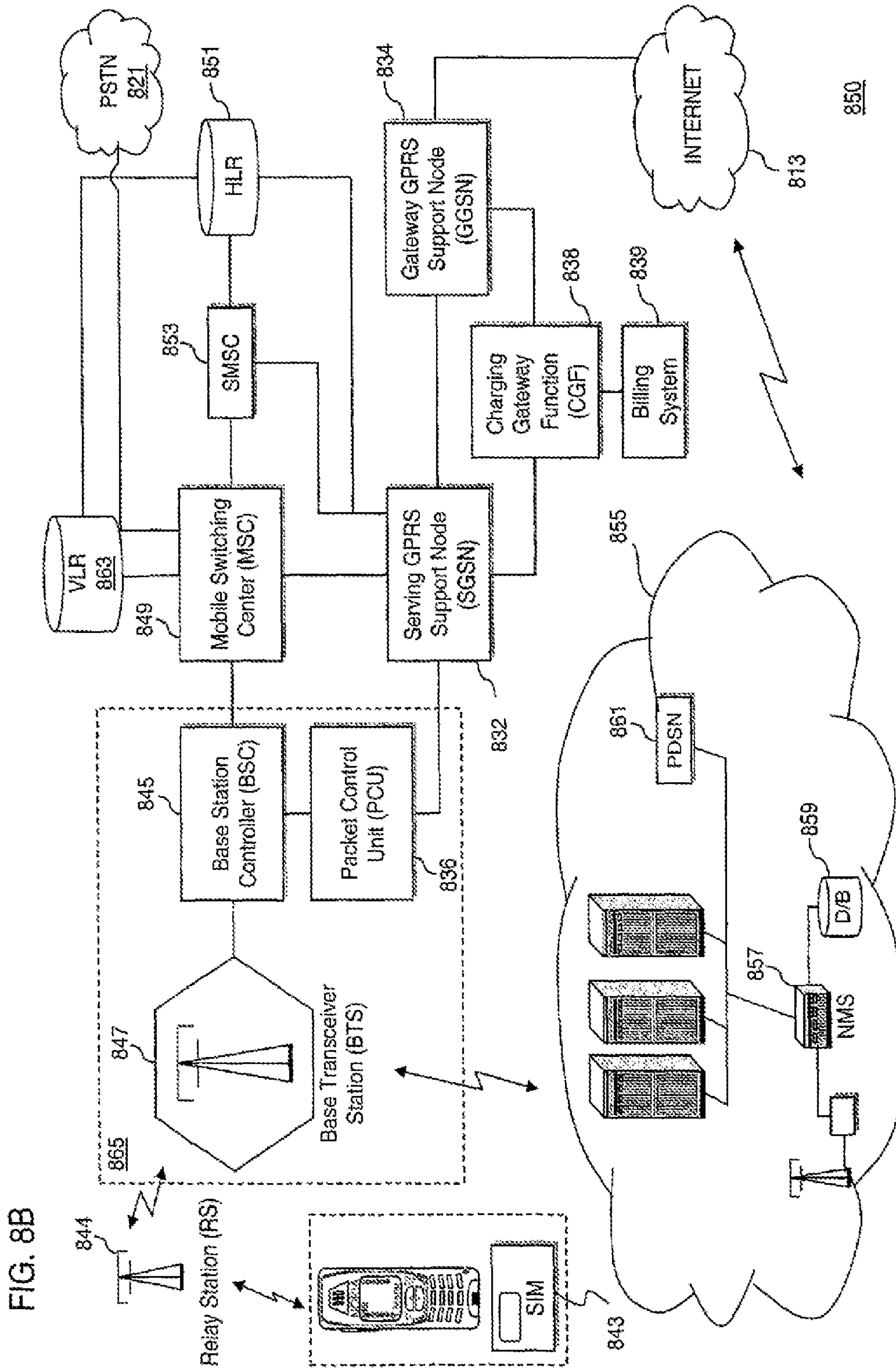
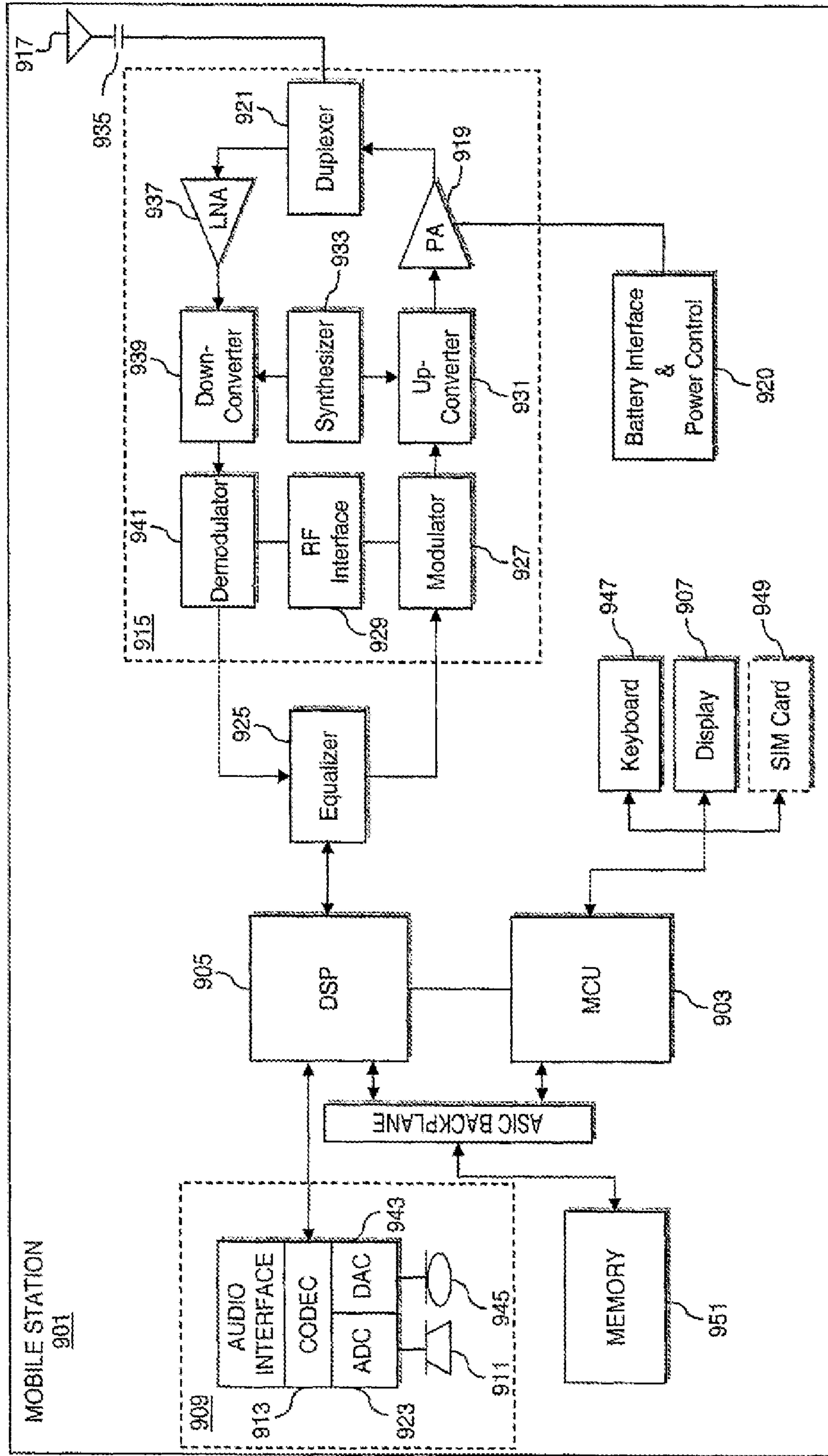


FIG. 8B

FIG. 9



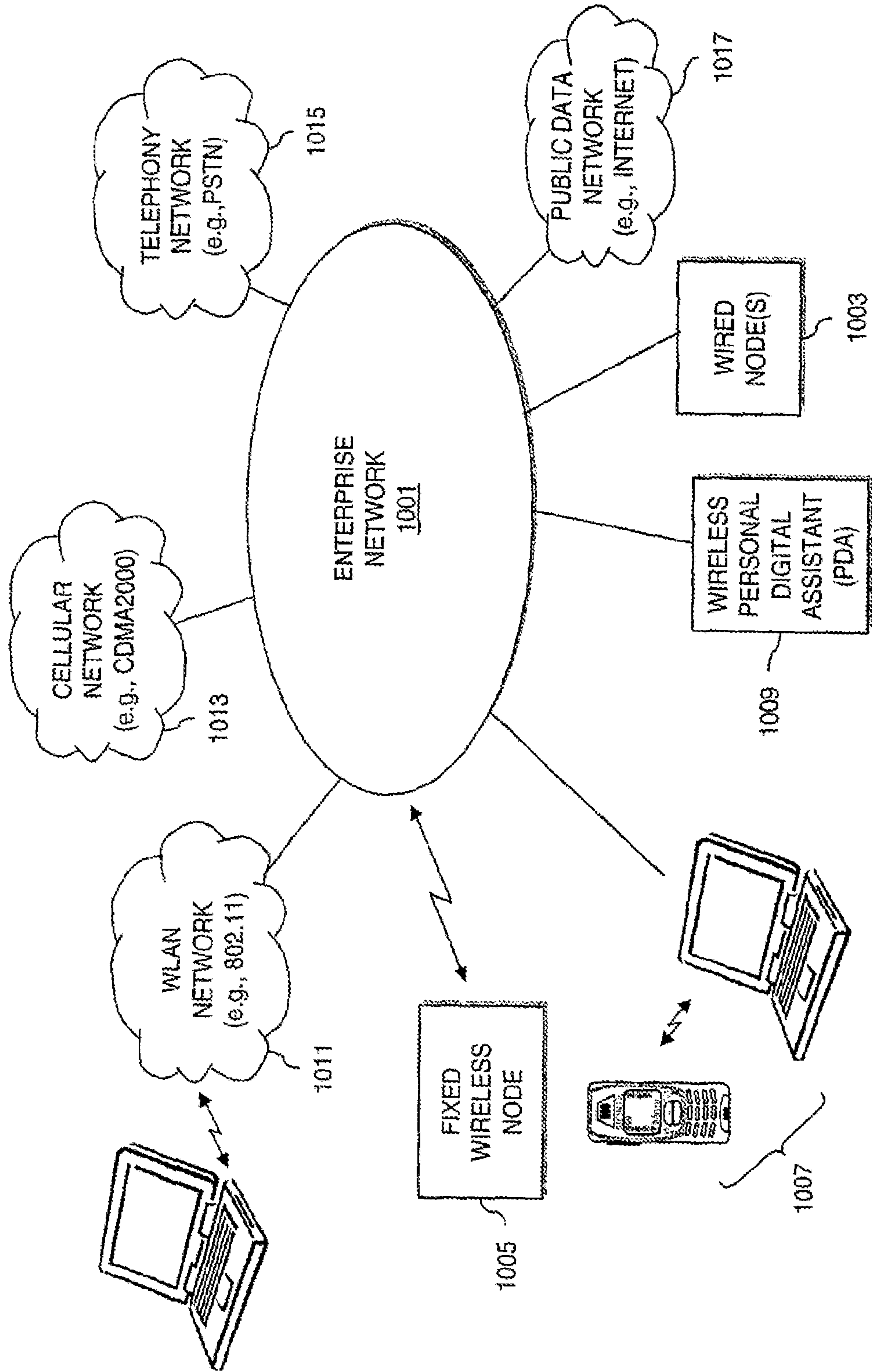


FIG. 10

**METHOD AND APPARATUS FOR
PROVIDING AUTOMATIC CONTROL
CHANNEL MAPPING**

Matter enclosed in heavy brackets [] appears in the original patent but forms no part of this reissue specification; matter printed in italics indicates the additions made by reissue; a claim printed with strikethrough indicates that the claim was canceled, disclaimed, or held invalid by a prior post-patent action or proceeding.

RELATED APPLICATION

This application was originally filed as PCT Application No. PCT/IB2008/000063 on Jan. 11, 2008 and claims priority to U.S. Provisional Application No. 60/884,759 filed on Jan. 12, 2007, which is incorporated herein by reference in its entirety.

BACKGROUND

Radio communication systems, such as a wireless data networks (e.g., Third Generation Partnership Project (3GPP) Long Term Evolution (LTE) systems, spread spectrum systems (such as Code Division Multiple Access (CDMA) networks), Time Division Multiple Access (TDMA) networks, etc.), provide users with the convenience of mobility along with a rich set of services and features. This convenience has spawned significant adoption by an ever growing number of consumers as an accepted mode of communication for business and personal uses. To promote greater adoption, the telecommunication industry, from manufacturers to service providers, has agreed at great expense and effort to develop standards for communication protocols that underlie the various services and features. One area of effort involves efficient design of control signaling within the communication system.

Some Exemplary Embodiments

Therefore, there is a need for an approach for providing efficient control signaling, which can co-exist with already developed standards and protocols.

According to one embodiment of the invention, a method comprises receiving a sub-set of channel parameters. The method also comprises automatically mapping control channels to physical resources of a communication network according to the received channel parameters.

According to another embodiment of the invention, an apparatus comprises a mapper configured to receive a subset of channel parameters, and to automatically map control channels to physical resources of a communication network according to the received channel parameters.

According to another embodiment of the invention, a method comprises determining location of one of a plurality of coded control channels established over a multiple input multiple output (MIMO) communication system by automatically mapping the control channels to a plurality of sub-carriers designated for use within the system, wherein the sub-carriers are allocated to a plurality of transmission symbols that include Orthogonal Frequency Division Multiplexing (OFDM) symbols.

According to yet another embodiment of the invention, an apparatus comprises a mapper configured to determine location of one of a plurality of coded control channels established over a multiple input multiple output (MIMO) com-

munication system by automatically mapping the control channels to a plurality of sub-carriers designated for use within the system.

Still other aspects, features, and advantages of the invention are readily apparent from the following detailed description, simply by illustrating a number of particular embodiments and implementations, including the best mode contemplated for carrying out the invention. The invention is also capable of other and different embodiments, and its several details can be modified in various obvious respects, all without departing from the spirit and scope of the invention. Accordingly, the drawings and description are to be regarded as illustrative in nature, and not as restrictive.

BRIEF DESCRIPTION OF THE DRAWINGS

The embodiments of the invention are illustrated by way of example, and not by way of limitation, in the figures of the accompanying drawings:

FIG. 1 is a diagram of a user equipment (UE) and a base station, each configured to perform automatic control channel mapping, according to an exemplary embodiment of the invention;

FIGS. 2A-2D are diagrams of communication systems having exemplary long-term evolution (LTE) architectures, in which the system of FIG. 1 can operate, according to various exemplary embodiments of the invention;

FIG. 3 is a flowchart of a process for mapping logical control channels to physical resources, in accordance with an embodiment of the invention;

FIG. 4 is a diagram of a transmission frame providing control channels that are mapped to sub-carriers, in accordance with an embodiment of the invention;

FIG. 5 is a flowchart of process for determining the number of available control channels, in accordance with an embodiment of the invention;

FIG. 6 is a flowchart of process for determining the number of transmission symbols for supporting a desired number of control channels, in accordance with an embodiment of the invention;

FIG. 7 is a diagram of hardware that can be used to implement an embodiment of the invention;

FIGS. 8A and 8B are diagrams of different cellular mobile phone systems capable of supporting various embodiments of the invention;

FIG. 9 is a diagram of exemplary components of a mobile station capable of operating in the systems of FIGS. 8A and 8B, according to an embodiment of the invention; and

FIG. 10 is a diagram of an enterprise network capable of supporting the processes described herein, according to an embodiment of the invention.

DESCRIPTION OF PREFERRED
EMBODIMENTS

An apparatus, method, and software for providing an efficient control signaling are disclosed. In the following description, for the purposes of explanation, numerous specific details are set forth in order to provide a thorough understanding of the embodiments of the invention. It is apparent, however, to one skilled in the art that the embodiments of the invention may be practiced without these specific details or with an equivalent arrangement. In other instances, well-known structures and devices are shown in block diagram form in order to avoid unnecessarily obscuring the embodiments of the invention.

Although the embodiments of the invention are discussed with respect to a communication network having a Third Generation Partnership Project (3GPP) Long Term Evolution (LTE) architecture, it is recognized by one of ordinary skill in the art that the embodiments of the inventions have applicability to any type of communication system (e.g., the systems of FIGS. 8-10) and equivalent functional capabilities.

FIG. 1 is a diagram of a user equipment (UE) and a base station, each configured to perform automatic control channel mapping, according to an exemplary embodiment of the invention. As shown, a user equipment (UE) 101 communicates with a base station 103, which under the 3GPP LTE architecture is denoted as an enhanced Node B (eNB) 103. The UE 101 can be any type of mobile stations, such as handsets, terminals, stations, units, devices, or any type of interface to the user (such as “wearable” circuitry, etc.). By way of example, the communication of FIG. 1 utilizes an architecture compliant with the long term evolution (LTE) of Universal Mobile Telecommunications System (UMTS) terrestrial radio access network (UTRAN) in 3GPP; this architecture is more fully described below with respect to FIGS. 2A-2D. Control channel signaling 105 plays an important role for ensuring timely and accurate delivery of information. Such signaling is supported by one or more control channels 105.

It is recognized that one of the challenges in constructing a set of separately coded control channels is that the UE 101 will need to know where these control channels 105 are located in the time/frequency domain, for example. Accordingly, the UE 101 includes a control channel mapper 107, in conjunction with an interleaving logic 109 that maps these control channels 105 using a predetermined algorithm for distributing the channels into the set of physical resources. In an exemplary embodiment, the eNB 103 can also perform the mapping function through a control channel mapper 111, which can utilize an interleaving logic 113 as part of the mapping function.

The eNB 103 utilizes a Multiple Input Multiple Output (MIMO) antenna system; for instance, the eNB 103 can provide two antenna transmit and receive capabilities. This arrangement supports the parallel transmission of independent data streams to achieve high data rates. On the downlink, the eNB 103 can utilize Orthogonal Frequency Division Multiplexing (OFDM), while Single Carrier Frequency Division Multiple Access (FDMA) (SC-FDMA) is used for the uplink.

The control channel mapper 107, 111 processes, for instance, a subset of system and cell level parameters, and (from these channel parameters) derive a distinct mapping from the time/frequency grid into logical control channels. In one embodiment, the mapping algorithm or scheme performed by the control channel mapper 107, 111 can acquire the information through a “push” mechanism on the network side using, e.g., system information, Radio Resource Control (RRC) messages, other types of cell-broadcast configuration, pre-determined by specifications, etc. Also, the control channel mapper 107, 111, in an exemplary embodiment, can derive data needed for constructing the bit-exact mapping of the different control channels (as described in FIGS. 5 and 6).

FIGS. 2A-2D are diagrams of communication systems having exemplary long-term evolution (LTE) architectures, in which the system of FIG. 1 can operate, according to various exemplary embodiments of the invention. By way of example (shown in FIG. 2A), the base station 103 and the UE 101 can communicate in system 200 using any access

scheme, such as Time Division Multiple Access (TDMA), Code Division Multiple Access (CDMA), Wideband Code Division Multiple Access (WCDMA), Orthogonal Frequency Division Multiple Access (OFDMA) or Single Carrier Frequency Division Multiple Access (FDMA) (SC-FDMA) or a combination of thereof. In an exemplary embodiment, both uplink and downlink can utilize WCDMA. In another exemplary embodiment, uplink utilizes SC-FDMA, while downlink utilizes OFDMA.

The MME (Mobile Management Entity)/Serving Gateways 201 are connected to the eNBs 103 in a full or partial mesh configuration using tunneling over a packet transport network (e.g., Internet Protocol (IP) network) 203. Exemplary functions of the MME/Serving GW 201 include distribution of paging messages to the eNBs 103, IP header compression, termination of U-plane packets for paging reasons, and switching of U-plane for support of UE mobility. Since the GWs 201 serve as a gateway to external networks, e.g., the Internet or private networks 203, the GWs 201 include an Access, Authorization and Accounting system (AAA) 205 to securely determine the identity and privileges of a user and to track each user’s activities. Namely, the MME Serving Gateway 201 is the key control-node for the LTE access-network and is responsible for idle mode UE tracking and paging procedure including retransmissions. Also, the MME 201 is involved in the bearer activation/deactivation process and is responsible for selecting the SGW (Serving Gateway) for a UE at the initial attach and at time of intra-LTE handover involving Core Network (CN) node relocation.

A more detailed description of the LTE interface is provided in 3GPP TR 25.813, entitled “E-UTRA and E-UTRAN: Radio Interface Protocol Aspects,” which is incorporated herein by reference in its entirety.

In FIG. 2B, a communication system 202 supports GERAN (GSM/EDGE radio access) 204, and UTRAN 206 based access networks, E-UTRAN 212 and non-3GPP (not shown) based access networks, and is more fully described in TR 23.882, which is incorporated herein by reference in its entirety. A key feature of this system is the separation of the network entity that performs control-plane functionality (MME 208) from the network entity that performs bearer-plane functionality (Serving Gateway 210) with a well defined open interface between them S11. Since E-UTRAN 212 provides higher bandwidths to enable new services as well as to improve existing ones, separation of MME 208 from Serving Gateway 210 implies that Serving Gateway 210 can be based on a platform optimized for signaling transactions. This scheme enables selection of more cost-effective platforms for, as well as independent scaling of, each of these two elements. Service providers can also select optimized topological locations of Serving Gateways 210 within the network independent of the locations of MMEs 208 in order to reduce optimized bandwidth latencies and avoid concentrated points of failure.

The basic architecture of the system 202 contains following network elements. As seen in FIG. 2B, the E-UTRAN (e.g., eNB) 212 interfaces with UE 101 via LTE-Uu. The E-UTRAN 212 supports LTE air interface and includes functions for radio resource control (RRC) functionality corresponding to the control plane MME 208. The E-UTRAN 212 also performs a variety of functions including radio resource management, admission control, scheduling, enforcement of negotiated uplink (UL) QoS (Quality of Service), cell information broadcast, ciphering/decipher-

ing of user, compression/decompression of downlink and uplink user plane packet headers and Packet Data Convergence Protocol (PDCP).

The MME **208**, as a key control node, is responsible for managing mobility UE identifies and security parameters and paging procedure including retransmissions. The MME **208** is involved in the bearer activation/deactivation process and is also responsible for choosing Serving Gateway **210** for the UE **101**. MME **208** functions include Non Access Stratum (NAS) signaling and related security. MME **208** checks the authorization of the UE **101** to camp on the service provider's Public Land Mobile Network (PLMN) and enforces UE **101** roaming restrictions. The MME **208** also provides the control plane function for mobility between LTE and 2G/3G access networks with the S3 interface terminating at the MME **208** from the SGSN (Serving GPRS Support Node) **214**.

The SGSN **214** is responsible for the delivery of data packets from and to the mobile stations within its geographical service area. Its tasks include packet routing and transfer, mobility management, logical link management, and authentication and charging functions. The S6a interface enables transfer of subscription and authentication data for authenticating/authorizing user access to the evolved system (AAA interface) between MME **208** and HSS (Home Subscriber Server) **216**. The S10 interface between MMEs **208** provides MME relocation and MME **208** to MME **208** information transfer. The Serving Gateway **210** is the node that terminates the interface towards the E-UTRAN **212** via S1-U.

The S1-U interface provides a per bearer user plane tunneling between the E-UTRAN **212** and Serving Gateway **210**. It contains support for path switching during handover between eNBs **212**. The S4 interface provides the user plane with related control and mobility support between SGSN **214** and the 3GPP Anchor function of Serving Gateway **210**.

The S12 is an interface between UTRAN **206** and Serving Gateway **210**. Packet Data Network (PDN) Gateway **218** provides connectivity to the UE **101** to external packet data networks by being the point of exit and entry of traffic for the UE **101**. The PDN Gateway **218** performs policy enforcement, packet filtering for each user, charging support, lawful interception and packet screening. Another role of the PDN Gateway **218** is to act as the anchor for mobility between 3GPP and non-3GPP technologies such as WiMax and 3GPP2 (CDMA 1x and EvDO (Evolution Data Only)).

The S7 interface provides transfer of QoS policy and charging rules from PCRF (Policy and Charging Role Function) **220** to Policy and Charging Enforcement Function (PCEF) in the PDN Gateway **218**. The SGi interface is the interface between the PDN Gateway and the operator's IP services including packet data network **222**. Packet data network **222** may be an operator external public or private packet data network or an intra operator packet data network, e.g., for provision of IMS (IP Multimedia Subsystem) services. Rx+ is the interface between the PCRF and the packet data network **222**.

As seen in FIG. 2C, the eNB **103** utilizes an E-UTRA (Evolved Universal Terrestrial Radio Access) (user plane, e.g., RLC (Radio Link Control) **215**, MAC (Media Access Control) **217**, and PHY (Physical) **219**, as well as a control plane (e.g., RRC **221**). The eNB **103** also includes the following functions: Inter Cell RRM (Radio Resource Management) **223**, Connection Mobility Control **225**, RB (Radio Bearer) Control **227**, Radio Admission Control **229**, eNB Measurement Configuration and Provision **231**, and Dynamic Resource Allocation (Scheduler) **233**.

The eNB **103** communicates with the aGW **201** (Access Gateway) via an S1 interface. The aGW **201** includes a User Plane **201a** and a Control plane **201b**. The control plane **201b** provides the following components: SAE (System Architecture Evolution) Bearer Control **235** and MM (Mobile Management) Entity **237**. The user plane **201b** includes a PDCP (Packet Data Convergence Protocol) **239** and a user plane functions **241**. It is noted that the functionality of the aGW **201** can also be provided by a combination of a serving gateway (SGW) and a packet data network (PDN) GW. The aGW **201** can also interface with a packet network, such as the Internet **243**.

In an alternative embodiment, as shown in FIG. 2D, the PDCP (Packet Data Convergence Protocol) functionality can reside in the eNB **103** rather than the GW **201**. Other than this PDCP capability, the eNB functions of FIG. 2C are also provided in this architecture.

In the system of FIG. 2D, a functional split between E-UTRAN and EPC (Evolved Packet Core) is provided. In this example, radio protocol architecture of E-UTRAN is provided for the user plane and the control plane. A more detailed description of the architecture is provided in 3GPP TS 36.300.

The eNB **103** interfaces via the S1 to the Serving Gateway **245**, which includes a Mobility Anchoring function **247**. According to this architecture, the MME (Mobility Management Entity) **249** provides SAE (System Architecture Evolution) Bearer Control **251**, Idle State Mobility Handling **253**, NAS (Non-Access Stratum) Security **255**.

FIG. 3 is a flowchart of a process for mapping logical control channels to physical resources, in accordance with an embodiment of the invention. This process is explained according to the system of FIG. 1. In step **301**, a channel mapper **107**, **111** receives the channel parameters. Then, the channel mapper **107**, **111** automatically maps, per step **303**, control channels to the physical resources according to the received channel parameters. In an exemplary embodiment, the logical control channels are depicted in FIG. 4A.

FIG. 4A is a diagram of a transmission frame providing control channels that are mapped to sub-carriers, in accordance with an embodiment of the invention. Under this scenario, a frame **401** pertains to downlink (DL) control signaling. In one embodiment, the downlink control signaling information is located in the first n transmission symbols **403**; e.g., $n \leq 3$ within a transmission time interval (TTI). It is contemplated that depending on the system configuration, n can be larger than 3. According to certain embodiments, the transmission symbols are OFDM symbols **403**. The number of sub-carriers available in each OFDM symbol depends on the system bandwidth; for example, 600 sub-carriers are available in a 10 MHz system bandwidth within the context of LTE of 3GPP.

In an exemplary embodiment, a number of resources (RE) **403** are available within the first 'n' OFDM symbols **405** within the TTI. As seen in FIG. 4B, these resources can be divided between reference symbols **407**, PCFICH (Physical Control Format Indication Channel) **409**, PHICH (Physical Hybrid Automatic Repeat Request Indicator Channel) **411** and CCEs (Control Channel Elements) **413** for control channel candidates potentially carrying PDCCHs (Packet Data Control Channels). The PCFICH indicates to the UE **101** whether the control channel occupies 1, 2, or 3 OFDM symbols; accordingly, the approach utilizes an interleaver (as in FIG. 4C) that is able to adjust the parameters according to this setting. In this overall structure, the resources for reference symbols (depending on the number of transmit antennas) within the first 'n' OFDM symbols as well as the

PCFICH resources **409** are mapped to the first OFDM symbol of the TTI, while the PHICH resources are mapped according to the semi-static configuration of the PHICH. The CCE blocks **413** are mapped to the ‘n’ OFDM symbols using a mapping functionality to provide diversity in both time and frequency.

It is noted that the number of transmit antennas for transmit diversity impacts the number of used reference symbols. The amount and positioning of the reference symbols for each transmit antenna can be predetermined.

In this example, it is assumed that the data transmission in the downlink can, at earliest, start at the same OFDM symbol as when the control signaling ends. According to one embodiment, multiple control channels are used, wherein each control channel is convolutionally coded, for example. The UE **101** can monitor the number of control channels. The number of control channels can be specified implicitly or be a cell specific parameter as a function of n. In an exemplary embodiment, one control channel carries information for one MAC (Medium Access Control) ID, and at least two formats (MCS) for control signaling is supported. Further, the power setting of each control channel can be specified by the Node B **103**.

The coded size of the control channel is a function of the uncoded size of a single control channel and the corresponding effective code rate of the control channel. The amount and position of dedicated ‘per-cell’ control information (ACK/NACK channels, PCFICH information, Paging indicator channel, etc) can be a constant size; and potentially pre-specified or be a function of system or cell-specific parameters (e.g., system bandwidth).

For the purposes of illustration, the communication system of FIG. **1** is described and possesses the following characteristics: 10 MHz system (600 sub-carriers per OFDM symbol), **2** transmit antennas, and 80 symbols dedicated for other control information, and 3 OFDM symbols dedicated for control channel signaling (n=3). Based on this configuration, the channel mapper provides a mapping of the N separate control channels into sub-carrier symbols.

One approach for this mapping is as follows. A numbering scheme is created such that the sub-carrier symbols in the first OFDM symbol are denoted 0-599, the sub-carrier symbols in the second OFDM symbol are denoted 600-1199 (for 10 MHz system BW), and so on. From this sequence ranging from 0-1799, the symbols that are actually available for control (1520 from the calculation above) are extracted. By removing these entries, the sequence can be re-numbered to be within the range from 0 to 1519.

The mapping process divides the resources in an equal manner among the number of allocated control channels (e.g., 9). This number is denoted ‘k’. The control channel mapper can utilize an assignment algorithm that allocates the following bits to control channel number ‘x’, where ‘x’ in this example can take the values from 0 to 8 (e.g., 80 user bits with an effective code rate of 0.25, and Quadrature Phase Shift Keying (QPSK) would require 160 symbols for transmission), as in Table 1 below:

TABLE 1

Index of the per-user symbol sequence	Relative index on the physical channel
0	$0 * k + x$
1	$1 * k + x$
2	$2 * k + x$

TABLE 1-continued

Index of the per-user symbol sequence	Relative index on the physical channel
3	$3 * k + x$
4	$4 * k + x$
...	...
158	$158 * k + x$
159	$159 * k + x$

In this way, the mapping process ensures that all the control channels (that are distributed over the full system bandwidth) achieve the full frequency diversity, while at the same time ensuring the mapping scheme is simplified. In order to allow for optimum power scaling, an interleaving scheme is utilized by the control channel mapper, such that the sub-carrier symbols that are not being used are divided equally over the OFDM symbols, thus potentially freeing power from the unused or low transmit power control channels in an equal manner.

The described process provides remapping functionality from some logical control channels, which are coded for transmission to a set of physical channel bits. To perform this mapping, the number of available channel symbols or bits is known. The main requirement for this is to know the number of sub-carrier symbols per OFDM symbol and the number of OFDM symbols reserved for the control channel. These parameters are either known (sub-carrier symbols per OFDM symbol), or signaled/network defined (the number of OFDM symbols for the control channel). Also, the number of sub-carrier symbols that are not available for transmission of control channel information (reference symbols, PCFICH information, ACK/NACK channels, etc) are known. From the above information, the number of sub-carrier symbols available for transmission of control information can be extracted (the number of channel bits available can also be extracted when the modulation scheme is known).

In one embodiment, the remapping functionality can utilize a block interleaver (e.g., as in the system, which provides a distribution over time and frequency of each of the control channels. This could be performed in various different ways. For example, one approach utilizes the interleaver in such a way that: the number of available physical channel bits is denoted as ‘x’; the number of OFDM symbols reserved is denoted ‘n’; and a system parameter—a block size parameter is denoted ‘m’. A matrix (or block) is created with n*m rows, and $\text{ceil}(x/(n*m))$ columns. The (potential downlink) allocation information can be written into the matrix in a sequential manner (filling each row at a time). When all the downlink allocation information has been written into the matrix, the uplink allocation information is written from the ‘other end’ of the matrix (starting from the last element in the matrix, and going from right to left). When the last row has been filled, the second last row is written in the same manner, and so on.

A number of elements in the matrix are not used for various reasons; e.g., too many elements in the matrix due to the ceil operation, or not enough elements in the control signaling. These will be known when filling the matrix.

According to one embodiment, the reading from the matrix is performed on a per-column manner (potentially with a permutation of the columns—as normally performed for a traditional block interleaver, see 3GPP 25.212, entitled ‘‘Technical Specification Group Radio Access Network; Multiplexing and Channel Coding (FDD),’’ which is incorporated herein by reference in its entirety). After the reading

out of the matrix, the bits are mapped directly to the subcarrier symbols in a sequential manner (first filling the first OFDM symbol—omitting writing to the reserved subcarrier symbols), until all OFDM control symbols are filled. The unused elements in the interleaver **109** and **113** (due to the ceil function) are not read from the interleaver **109** and **113**.

It is noted that in addition to per-bit level operation, the mapping process can operate on a per-symbol level (placement of the modulator relative to the interleaver). The mapping scheme thus allows the UE **101** and network to automatically position the separately coded control channels on the available physical resources in a simple and predetermined manner.

A central element for the control channel **105** is the resource element, which is a sub-carrier symbol; as such any operation/definition related to the control channel can be defined in terms of symbols. On one hand, the control channel is constructed such that the PDCCH payload is known by the e-Node B **103**, and at least partly known by the UE **101** (the UE at least knows a set of options for the payload size). On the other hand, a CCE size **413**, which is well-defined and known at both ends. This means that there is rate matching between coded payload size and physical channel capacity. The rate matching functionality is further detailed in 3GPP TR 36.212, entitled “Evolved Universal Terrestrial Radio Access (E-UTRA); Multiplexing and Channel Coding,” which is incorporated herein by reference in its entirety. The rate matching functionality is explained as follows.

In accordance with one embodiment, a rate matching block utilizes a tail biting convolutionally coded block: $d_0^{(i)}$, $d_1^{(i)}$, $d_2^{(i)}$, $d_3^{(i)}$, \dots , $d_{D-1}^{(i)}$, with $i=0, 1, \dots, 2$, and where i is the coded stream index, and D is the number of bits in each coded stream. The rate matching can be performed by the components of FIG. **4C**. This system provides rate matching for BCH (Broadcast Channel) and DL-CCH (Downlink Common Channel), in which three bit streams, $d_k^{(0)}$, $d_k^{(1)}$ and $d_k^{(2)}$, are interleaved using sub-block interleavers **421**. The interleaved bits are input to a bit collection unit **423**, which outputs a circular buffer to a bit selection and pruning unit **425**.

Specifically, the bit stream $d_k^{(0)}$ is interleaved by the sub-block interleaver **421a**, yielding an output sequence of $v_0^{(0)}$, $v_1^{(0)}$, $v_2^{(0)}$, \dots , $v_{K_\pi-1}^{(0)}$. Likewise, the sub-block interleavers **421b** and **421c** output $v_0^{(1)}$, $v_1^{(1)}$, $v_2^{(1)}$, \dots , $v_{K_\pi-1}^{(1)}$ and $v_0^{(2)}$, $v_1^{(2)}$, $v_2^{(2)}$, \dots , $v_{K_\pi-1}^{(2)}$, respectively. The output bit sequence from the block interleaver can be derived as follows:

(1) Assign $C=32$ to be the number of columns of the matrix. The columns of the matrix are numbered $0, 1, 2, \dots, C-1$ from left to right. Table 2 provides the inter-column permutation pattern for the sub-block interleavers **421**.

TABLE 2

Number of columns C	Inter-column permutation pattern $\langle P(0), P(1), \dots, P(C-1) \rangle$
32	$\langle 1, 17, 9, 25, 5, 21, 13, 29, 3, 19, 11, 27, 7, 23, 15, 31, 0, 16, 8, 24, 4, 20, 12, 28, 2, 18, 10, 26, 6, 22, 14, 30 \rangle$

(2) Determine the number of rows of the matrix, R , by finding minimum integer R such that: $D \leq (R \times C)$. The rows of rectangular matrix are numbered $0, 1, 2, \dots, R-1$ from top to bottom.

(3) If $R \times C > D$, then $N_D = (R \times C - D)$ dummy bits are padded such that $y_k = \langle \text{NULL} \rangle$ for $k=0, 1, \dots, N_D-1$. Then, write the input bit sequence, i.e., $y_{N_D+k} = d_k^{(i)}$, $k=0, 1, \dots, D-1$, into the $R \times C$ matrix row by row starting with bit y_0 in column 0 of row 0:

$$\begin{bmatrix} y_0 & y_1 & y_2 & \dots & y_{C-1} \\ y_C & y_{C+1} & y_{C+2} & \dots & y_{2C-1} \\ \vdots & \vdots & \vdots & \ddots & \vdots \\ y_{(R-1) \times C} & y_{(R-1) \times C + 1} & y_{(R-1) \times C + 2} & \dots & y_{(R-1) \times C + C - 1} \end{bmatrix}$$

(4) Perform the inter-column permutation for the matrix based on the pattern $\langle P(j) \rangle_{j \in \{0, 1, \dots, C-1\}}$ that is shown in Table 1, where $P(j)$ is the original column position of the j -th permuted column. After permutation of the columns, the inter-column permuted $R \times C$ matrix is equal to

$$\begin{bmatrix} y_{P(0)} & y_{P(1)} & y_{P(2)} & \dots & y_{P(C-1)} \\ y_{P(0)+C} & y_{P(1)+C} & y_{P(2)+C} & \dots & y_{P(C-1)+C} \\ \vdots & \vdots & \vdots & \ddots & \vdots \\ y_{P(0)+(R-1) \times C} & y_{P(1)+(R-1) \times C} & y_{P(2)+(R-1) \times C} & \dots & y_{P(C-1)+(R-1) \times C} \end{bmatrix}$$

(5) The output of the block interleaver **421** is the bit sequence read out column by column from the inter-column permuted $R \times C$ matrix. The bits after sub-block interleaving are denoted by $v_0^{(i)}$, $v_1^{(i)}$, $v_2^{(i)}$, \dots , $v_{K_\pi-1}^{(i)}$, where $v_0^{(i)}$ corresponds to $y_{P(0)}$, $v_1^{(i)}$ to $y_{P(0)+C}$, \dots and $K_\pi = (R \times C)$.

With respect to the bit collection performed by the unit **423**, the circular buffer of length $K_w = 3K_\pi$ is generated as follows.

$$w_k = v_k^{(0)} \text{ for } k=0, \dots, K_\pi-1$$

$$w_{K_\pi+k} = v_k^{(1)} \text{ for } k=0, \dots, K_\pi-1$$

$$w_{2K_\pi+k} = v_k^{(2)} \text{ for } k=0, \dots, K_\pi-1$$

Denoting by E the rate matching output sequence length, the rate matching output bit sequence is e_k , $k=0, 1, \dots, E-1$. Table 2 provides the scheme for generating E .

K_π is defined in Table 3, below.

TABLE 3

```

Set k = 0 and j = 0
while { k < E }
if  $w_{j \bmod K_w} \neq \langle \text{NULL} \rangle$ 
 $e_k = w_{j \bmod K_w}$ 
k = k + 1
end if
j = j + 1
end while

```

FIG. **5** is a flowchart of process for determining the number of available control channels, in accordance with an embodiment of the invention. In step **501**, the number of available channel symbols for the shared control channel is determined. Next, as in step **503**, the code rate for the control channel is obtained; in an exemplary embodiment, this code rate can be a predetermined, configurable value. Per step **505**, the number of control channels can be determined based on the code rate and the number of available channel symbols.

Thereafter, in step **507**, the process determines whether the code rate is the same for each control channel; if not, the

code rate is adjusted, per step 509. Otherwise, the number of control channels is mapped to the physical resources (e.g., sub-carriers), per step 511.

The above process is now explained with respect to the following example. In this example, the following assumptions are made: number of control symbols, 'n'=3; system bandwidth (BW)=10 MHz meaning that we have 600 sub-carriers available per OFDM symbol; and number of transmit antennas is 2. Additionally, the reference symbols are placed according to 3GPP TS 36.211 (i.e., 100 symbols are used for reference symbols for each antenna—200 in total); 3GPP TS 36.211, entitled "Evolved Universal Terrestrial Radio Access (E-UTRA); Physical Channels and Modulation," which is incorporated herein by reference in its entirety. The uncoded size of the downlink allocation is, for example, 80 bits (this value depends on the system BW). Also, the effective code rate of control channel is 0.25 (target of 1/4 for coverage).

It is noted that the desired number of control channels need not be specified, as the process attempts to exploit the control channel as much as possible. Further, it is assumed that the dedicated resources for other control channels is 80 symbols.

Based on the above parameters, the number of available channel symbols for the shared control channel can be calculated as follows (total number of symbols in the control channel minus the symbols reserved for the other channels): $(3 \times 600) - 200 - 80 = 1520$, which corresponds to 3040 raw channel bits assuming QPSK as the modulation scheme. Assuming the effective code rate of 0.25 for the control channel, there are 760 (i.e., 3040×0.25) bits for the control channel. By division of the size of each control channel, 9.5 (i.e., $760/80$) control channels result.

Accordingly, in order to fulfill the requirements for the effective code rate, 9 separately coded control channels can fit into the physical resources. At this point, the given effective code rate can be used (leaving the unused physical resources); otherwise, a recalculation can be performed using an adjusted code rate (obtain as the minimum for having exactly the same code rate of each control channel). The above process ensures that the channel coding parameters (rate matching) remain the same for each control channel.

FIG. 6 is a flowchart of process for determining the number of transmission symbols for supporting a desired number of control channels, in accordance with an embodiment of the invention. In step 601, the value for the numbers of control channels corresponding to a predetermined number of transmission symbols of a shared control channel is obtained. Next, the number of channel symbols can be determined, per step 603. In step 605, the number of transmission symbols (e.g., OFDM symbols) can be determined based on the determined number of channel symbols.

Under this scenario, it is assumed that the number of OFDM symbols is the variable parameter (to be calculated from the other parameters). As with the example of FIG. 5, the following conditions are assumed: number of control symbols 'n' is unknown (however, non-integer values can be used, such as 2.5 symbols). The system bandwidth is 10 MHz (i.e., 600 sub-carriers available per OFDM symbol). The number of transmit antennas is 2 with 100 symbols are used for reference symbols for each antenna. Also, the uncoded size of a downlink allocation is 80 bits, and the effective code rate of control channel is 0.25 (target of 1/4 for coverage). Further, the desired number of control channels is 7, and the dedicated resources for other control channels constitute 80 symbols.

Given these parameters, the required number of OFDM symbols for the control channel can be determined by performing the calculation backwards. For example, the number of a coded control channel bits can be 320 (i.e., $80/0.25$); and with QPSK, this yields 160 channel symbols. Assuming that 7 channels are desired, the number of channel symbols total 1120 (i.e., 7×160) symbols for the full control channel. Factoring in the overhead for the reference signal and other channels, the total number of channel symbols is 1400 (i.e., $1120 + 200 + 80$). With the number of sub-carrier symbols per OFDM symbol known, it can be determined that this corresponds to 2.333 OFDM symbols.

In summary, one of the following approaches can be adopted to perform control channel mapping. In one embodiment, a constant effective code rate is used, in which the remaining sub-carriers of the last OFDM control channel symbol are mapped to data capacity (control and data share an OFDM symbol in the transition region). Alternatively, the UE 101 uses an integer number of OFDM symbols for the control channel, and in a similar manner as the process of FIG. 5, merely adjusts the actual effective code rate to match the setup. Under either approach, the control channel mapper can automatically calculate the missing information element based on other information parts. That is, both the UE 101 and the e-Node B 103 have sufficient information to calculate the parameters needed to initialize the mapper properly.

One of ordinary skill in the art would recognize that the processes for control channel mapping may be implemented via software, hardware (e.g., general processor, Digital Signal Processing (DSP) chip, an Application Specific Integrated Circuit (ASIC), Field Programmable Gate Arrays (FPGAs), etc.), firmware, or a combination thereof. Such exemplary hardware for performing the described functions is detailed below with respect to FIG. 7.

FIG. 7 illustrates exemplary hardware upon which various embodiments of the invention can be implemented. A computing system 700 includes a bus 701 or other communication mechanism for communicating information and a processor 703 coupled to the bus 701 for processing information. The computing system 700 also includes main memory 705, such as a random access memory (RAM) or other dynamic storage device, coupled to the bus 701 for storing information and instructions to be executed by the processor 703. Main memory 705 can also be used for storing temporary variables or other intermediate information during execution of instructions by the processor 703. The computing system 700 may further include a read only memory (ROM) 707 or other static storage device coupled to the bus 701 for storing static information and instructions for the processor 703. A storage device 709, such as a magnetic disk or optical disk, is coupled to the bus 701 for persistently storing information and instructions.

The computing system 700 may be coupled via the bus 701 to a display 711, such as a liquid crystal display, or active matrix display, for displaying information to a user. An input device 713, such as a keyboard including alphanumeric and other keys, may be coupled to the bus 701 for communicating information and command selections to the processor 703. The input device 713 can include a cursor control, such as a mouse, a trackball, or cursor direction keys, for communicating direction information and command selections to the processor 703 and for controlling cursor movement on the display 711.

According to various embodiments of the invention, the processes described herein can be provided by the computing system 700 in response to the processor 703 executing

an arrangement of instructions contained in main memory **705**. Such instructions can be read into main memory **705** from another computer-readable medium, such as the storage device **709**. Execution of the arrangement of instructions contained in main memory **705** causes the processor **703** to perform the process steps described herein. One or more processors in a multi-processing arrangement may also be employed to execute the instructions contained in main memory **705**. In alternative embodiments, hard-wired circuitry may be used in place of or in combination with software instructions to implement the embodiment of the invention. In another example, reconfigurable hardware such as Field Programmable Gate Arrays (FPGAs) can be used, in which the functionality and connection topology of its logic gates are customizable at run-time, typically by programming memory look up tables. Thus, embodiments of the invention are not limited to any specific combination of hardware circuitry and software.

The computing system **700** also includes at least one communication interface **715** coupled to bus **701**. The communication interface **715** provides a two-way data communication coupling to a network link (not shown). The communication interface **715** sends and receives electrical, electromagnetic, or optical signals that carry digital data streams representing various types of information. Further, the communication interface **715** can include peripheral interface devices, such as a Universal Serial Bus (USB) interface, a PCMCIA (Personal Computer Memory Card International Association) interface, etc.

The processor **703** may execute the transmitted code while being received and/or store the code in the storage device **709**, or other non-volatile storage for later execution. In this manner, the computing system **700** may obtain application code in the form of a carrier wave.

The term "computer-readable medium" as used herein refers to any medium that participates in providing instructions to the processor **703** for execution. Such a medium may take many forms, including but not limited to non-volatile media, volatile media, and transmission media. Non-volatile media include, for example, optical or magnetic disks, such as the storage device **709**. Volatile media include dynamic memory, such as main memory **705**. Transmission media include coaxial cables, copper wire and fiber optics, including the wires that comprise the bus **701**. Transmission media can also take the form of acoustic, optical, or electromagnetic waves, such as those generated during radio frequency (RF) and infrared (IR) data communications. Common forms of computer-readable media include, for example, a floppy disk, a flexible disk, hard disk, magnetic tape, any other magnetic medium, a CD-ROM, CDRW, DVD, any other optical medium, punch cards, paper tape, optical mark sheets, any other physical medium with patterns of holes or other optically recognizable indicia, a RAM, a PROM, and EPROM, a FLASH-EPROM, any other memory chip or cartridge, a carrier wave, or any other medium from which a computer can read.

Various forms of computer-readable media may be involved in providing instructions to a processor for execution. For example, the instructions for carrying out at least part of the invention may initially be borne on a magnetic disk of a remote computer. In such a scenario, the remote computer loads the instructions into main memory and sends the instructions over a telephone line using a modem. A modem of a local system receives the data on the telephone line and uses an infrared transmitter to convert the data to an infrared signal and transmit the infrared signal to a portable computing device, such as a personal digital assistant (PDA)

or a laptop. An infrared detector on the portable computing device receives the information and instructions borne by the infrared signal and places the data on a bus. The bus conveys the data to main memory, from which a processor retrieves and executes the instructions. The instructions received by main memory can optionally be stored on storage device either before or after execution by processor.

FIGS. **8A** and **8B** are diagrams of different cellular mobile phone systems capable of supporting various embodiments of the invention. FIGS. **8A** and **8B** show exemplary cellular mobile phone systems each with both mobile station (e.g., handset) and base station having a transceiver installed (as part of a Digital Signal Processor (DSP)), hardware, software, an integrated circuit, and/or a semiconductor device in the base station and mobile station). By way of example, the radio network supports Second and Third Generation (2G and 3G) services as defined by the International Telecommunications Union (ITU) for International Mobile Telecommunications 2000 (IMT-2000). For the purposes of explanation, the carrier and channel selection capability of the radio network is explained with respect to a cdma2000 architecture. As the third-generation version of IS-95, cdma2000 is being standardized in the Third Generation Partnership Project 2 (3GPP2).

A radio network **800** includes mobile stations **801** (e.g., handsets, terminals, stations, units, devices, or any type of interface to the user (such as "wearable" circuitry, etc.)) in communication with a Base Station Subsystem (BSS) **803** through a relay station (RS) **804**. According to one embodiment of the invention, the radio network supports Third Generation (3G) services as defined by the International Telecommunications Union (ITU) for International Mobile Telecommunications 2000 (IMT-2000).

In this example, the BSS **803** includes a Base Transceiver Station (BTS) **805** and Base Station Controller (BSC) **807**. Although a single BTS is shown, it is recognized that multiple BTSs are typically connected to the BSC through, for example, point-to-point links. Each BSS **803** is linked to a Packet Data Serving Node (PDSN) **809** through a transmission control entity, or a Packet Control Function (PCF) **811**. Since the PDSN **809** serves as a gateway to external networks, e.g., the Internet **813** or other private consumer networks **815**, the PDSN **809** can include an Access, Authorization and Accounting system (AAA) **817** to securely determine the identity and privileges of a user and to track each user's activities. The network **815** comprises a Network Management System (NMS) **831** linked to one or more databases **833** that are accessed through a Home Agent (HA) **835** secured by a Home AAA **837**.

Although a single BSS **803** is shown, it is recognized that multiple BSSs **803** are typically connected to a Mobile Switching Center (MSC) **819**. The MSC **819** provides connectivity to a circuit-switched telephone network, such as the Public Switched Telephone Network (PSTN) **821**. Similarly, it is also recognized that the MSC **819** may be connected to other MSCs **819** on the same network **800** and/or to other radio networks. The MSC **819** is generally collocated with a Visitor Location Register (VLR) **823** database that holds temporary information about active subscribers to that MSC **819**. The data within the VLR **823** database is to a large extent a copy of the Home Location Register (HLR) **825** database, which stores detailed subscriber service subscription information. In some implementations, the HLR **825** and VLR **823** are the same physical database; however, the HLR **825** can be located at a remote location accessed through, for example, a Signaling System Number 7 (SS7) network. An Authentication Center (AuC)

827 containing subscriber-specific authentication data, such as a secret authentication key, is associated with the HLR **825** for authenticating users. Furthermore, the MSC **819** is connected to a Short Message Service Center (SMSC) **829** that stores and forwards short messages to and from the radio network **800**.

During typical operation of the cellular telephone system, BTSs **805** receive and demodulate sets of reverse-link signals from sets of mobile units **801** conducting telephone calls or other communications. Each reverse-link signal received by a given BTS **805** is processed within that station. The resulting data is forwarded to the BSC **807**. The BSC **807** provides call resource allocation and mobility management functionality including the orchestration of soft hand-offs between BTSs **805**. The BSC **807** also routes the received data to the MSC **819**, which in turn provides additional routing and/or switching for interface with the PSTN **821**. The MSC **819** is also responsible for call setup, call termination, management of inter-MSC handover and supplementary services, and collecting, charging and accounting information. Similarly, the radio network **800** sends forward-link messages. The PSTN **821** interfaces with the MSC **819**. The MSC **819** additionally interfaces with the BSC **807**, which in turn communicates with the BTSs **805**, which modulate and transmit sets of forward-link signals to the sets of mobile units **801**.

As shown in FIG. **8B**, the two key elements of the General Packet Radio Service (GPRS) infrastructure **850** are the Serving GPRS Supporting Node (SGSN) **832** and the Gateway GPRS Support Node (GGSN) **834**. In addition, the GPRS infrastructure includes a Packet Control Unit PCU (**836**) and a Charging Gateway Function (CGF) **838** linked to a Billing System **839**. A GPRS the Mobile Station (MS) **841** employs a Subscriber Identity Module (SIM) **843**. Under this scenario, a relay station (RS) **844** provides extended coverage for the MS **841**.

The PCU **836** is a logical network element responsible for GPRS-related functions such as air interface access control, packet scheduling on the air interface, and packet assembly and re-assembly. Generally the PCU **836** is physically integrated with the BSC **845**; however, it can be collocated with a BTS **847** or a SGSN **832**. The SGSN **832** provides equivalent functions as the MSC **849** including mobility management, security, and access control functions but in the packet-switched domain. Furthermore, the SGSN **832** has connectivity with the PCU **836** through, for example, a Frame Relay-based interface using the BSS GPRS protocol (BSSGP). Although only one SGSN is shown, it is recognized that that multiple SGSNs **831** can be employed and can divide the service area into corresponding routing areas (RAs). A SGSN/SGSN interface allows packet tunneling from old SGSNs to new SGSNs when an RA update takes place during an ongoing Personal Development Planning (PDP) context. While a given SGSN may serve multiple BSCs **845**, any given BSC **845** generally interfaces with one SGSN **832**. Also, the SGSN **832** is optionally connected with the HLR **851** through an SS7-based interface using GPRS enhanced Mobile Application Part (MAP) or with the MSC **849** through an SS7-based interface using Signaling Connection Control Part (SCCP). The SGSN/HLR interface allows the SGSN **832** to provide location updates to the HLR **851** and to retrieve GPRS-related subscription information within the SGSN service area. The SGSN/MSC interface enables coordination between circuit-switched services and packet data services such as paging a subscriber for a voice call. Finally, the SGSN **832** interfaces with a SMSC **853** to enable short messaging functionality over the network **850**.

The GGSN **834** is the gateway to external packet data networks, such as the Internet **813** or other private customer networks **855**. The network **855** comprises a Network Management System (NMS) **857** linked to one or more databases **859** accessed through a PDSN **861**. The GGSN **834** assigns Internet Protocol (IP) addresses and can also authenticate users acting as a Remote Authentication Dial-In User Service host. Firewalls located at the GGSN **834** also perform a firewall function to restrict unauthorized traffic. Although only one GGSN **834** is shown, it is recognized that a given SGSN **832** may interface with one or more GGSNs **833** to allow user data to be tunneled between the two entities as well as to and from the network **850**. When external data networks initialize sessions over the GPRS network **850**, the GGSN **834** queries the HLR **851** for the SGSN **832** currently serving a MS **841**.

The BTS **847** and BSC **845** manage the radio interface, including controlling which Mobile Station (MS) **841** has access to the radio channel at what time. These elements essentially relay messages between the MS **841** and SGSN **832**. The SGSN **832** manages communications with an MS **841**, sending and receiving data and keeping track of its location. The SGSN **832** also registers the MS **841**, authenticates the MS **841**, and encrypts data sent to the MS **841**.

FIG. **9** is a diagram of exemplary components of a mobile station (e.g., handset) capable of operating in the systems of FIGS. **8A** and **8B**, according to an embodiment of the invention. Generally, a radio receiver is often defined in terms of front-end and back-end characteristics. The front-end of the receiver encompasses all of the Radio Frequency (RF) circuitry whereas the back-end encompasses all of the base-band processing circuitry. Pertinent internal components of the telephone include a Main Control Unit (MCU) **903**, a Digital Signal Processor (DSP) **905**, and a receiver/transmitter unit including a microphone gain control unit and a speaker gain control unit. A main display unit **907** provides a display to the user in support of various applications and mobile station functions. An audio function circuitry **909** includes a microphone **911** and microphone amplifier that amplifies the speech signal output from the microphone **911**. The amplified speech signal output from the microphone **911** is fed to a coder/decoder (CODEC) **913**.

A radio section **915** amplifies power and converts frequency in order to communicate with a base station, which is included in a mobile communication system (e.g., systems of FIG. **8A** or **8B**), via antenna **917**. The power amplifier (PA) **919** and the transmitter/modulation circuitry are operationally responsive to the MCU **903**, with an output from the PA **919** coupled to the duplexer **921** or circulator or antenna switch, as known in the art. The PA **919** also couples to a battery interface and power control unit **920**.

In use, a user of mobile station **901** speaks into the microphone **911** and his or her voice along with any detected background noise is converted into an analog voltage. The analog voltage is then converted into a digital signal through the Analog to Digital Converter (ADC) **923**. The control unit **903** routes the digital signal into the DSP **905** for processing therein, such as speech encoding, channel encoding, encrypting, and interleaving. In the exemplary embodiment, the processed voice signals are encoded, by units not separately shown, using the cellular transmission protocol of Code Division Multiple Access (CDMA), as described in detail in the Telecommunication Industry Association's TIA/EIA/IS-95-A Mobile Station-Base Station Compatibility Standard for Dual-Mode Wideband Spread Spectrum Cellular System; which is incorporated herein by reference in its entirety.

The encoded signals are then routed to an equalizer **925** for compensation of any frequency-dependent impairments that occur during transmission through the air such as phase and amplitude distortion. After equalizing the bit stream, the modulator **927** combines the signal with a RF signal generated in the RF interface **929**. The modulator **927** generates a sine wave by way of frequency or phase modulation. In order to prepare the signal for transmission, an up-converter **931** combines the sine wave output from the modulator **927** with another sine wave generated by a synthesizer **933** to achieve the desired frequency of transmission. The signal is then sent through a PA **919** to increase the signal to an appropriate power level. In practical systems, the PA **919** acts as a variable gain amplifier whose gain is controlled by the DSP **905** from information received from a network base station. The signal is then filtered within the duplexer **921** and optionally sent to an antenna coupler **935** to match impedances to provide maximum power transfer. Finally, the signal is transmitted via antenna **917** to a local base station. An automatic gain control (AGC) can be supplied to control the gain of the final stages of the receiver. The signals may be forwarded from there to a remote telephone which may be another cellular telephone, other mobile phone or a land-line connected to a Public Switched Telephone Network (PSTN), or other telephony networks.

Voice signals transmitted to the mobile station **901** are received via antenna **917** and immediately amplified by a low noise amplifier (LNA) **937**. A down-converter **939** lowers the carrier frequency while the demodulator **941** strips away the RF leaving only a digital bit stream. The signal then goes through the equalizer **925** and is processed by the DSP **905**. A Digital to Analog Converter (DAC) **943** converts the signal and the resulting output is transmitted to the user through the speaker **945**, all under control of a Main Control Unit (MCU) **903**—which can be implemented as a Central Processing Unit (CPU) (not shown).

The MCU **903** receives various signals including input signals from the keyboard **947**. The MCU **903** delivers a display command and a switch command to the display **907** and to the speech output switching controller, respectively. Further, the MCU **903** exchanges information with the DSP **905** and can access an optionally incorporated SIM card **949** and a memory **951**. In addition, the MCU **903** executes various control functions required of the station. The DSP **905** may, depending upon the implementation, perform any of a variety of conventional digital processing functions on the voice signals. Additionally, DSP **905** determines the background noise level of the local environment from the signals detected by microphone **911** and sets the gain of microphone **911** to a level selected to compensate for the natural tendency of the user of the mobile station **901**.

The CODEC **913** includes the ADC **923** and DAC **943**. The memory **951** stores various data including call incoming tone data and is capable of storing other data including music data received via, e.g., the global Internet. The software module could reside in RAM memory, flash memory, registers, or any other form of writable storage medium known in the art. The memory device **951** may be, but not limited to, a single memory, CD, DVD, ROM, RAM, EEPROM, optical storage, or any other non-volatile storage medium capable of storing digital data.

An optionally incorporated SIM card **949** carries, for instance, important information, such as the cellular phone number, the carrier supplying service, subscription details, and security information. The SIM card **949** serves primarily to identify the mobile station **901** on a radio network. The

card **949** also contains a memory for storing a personal telephone number registry, text messages, and user specific mobile station settings.

FIG. **10** shows an exemplary enterprise network, which can be any type of data communication network utilizing packet-based and/or cell-based technologies (e.g., Asynchronous Transfer Mode (ATM), Ethernet, IP-based, etc.). The enterprise network **1001** provides connectivity for wired nodes **1003** as well as wireless nodes **1005-1009** (fixed or mobile), which are each configured to perform the processes described above. The enterprise network **1001** can communicate with a variety of other networks, such as a WLAN network **1011** (e.g., IEEE 802.11), a cdma2000 cellular network **1013**, a telephony network **1016** (e.g., PSTN), or a public data network **1017** (e.g., Internet).

While the invention has been described in connection with a number of embodiments and implementations, the invention is not so limited but covers various obvious modifications and equivalent arrangements, which fall within the purview of the appended claims. Although features of the invention are expressed in certain combinations among the claims, it is contemplated that these features can be arranged in any combination and order.

What is claimed is:

1. A method comprising:
 - receiving a sub-set of channel parameters through system information signaling;
 - [automatically mapping control channels to physical resources of a communication network according to the received channel parameters; and]
 - determining a number of the control channels based on the channel parameters; and
 - automatically mapping control channels to physical resources of a communication network according to the received channel parameters,*
 - wherein the control channels are separately coded,
 - wherein the channel parameters include a number of transmission symbols available in the control channels, and wherein the number of transmission symbols is determined based on a number of sub-carriers available for control information transmission in each of the transmission symbols,
 - wherein the control channels are interleaved, and
 - wherein the interleaving comprises a matrix of bits of control information corresponding to the control channels, and comprises an inter-column permutation pattern of the matrix; and
 - [transmitting] *receiving* the control information over the control channels mapped to the physical resources.
2. A method according to claim 1, wherein the physical resources include a plurality of sub-carriers.
3. A method according to claim 2, wherein a portion of the sub-carriers are allocated to a transmission symbol that includes an Orthogonal Frequency Division Multiplexing (OFDM) symbol.
4. A method according to claim 3, wherein the number of OFDM symbols is variable, the method further comprising: determining the number of OFDM symbols based on a desired number of the control channels.
5. A method according to claim 1, further comprising: adjusting an effective control channel code rate to obtain a desired number of the control channels.
6. A method according to claim 1, further comprising: allocating unused sub-carrier symbols according to an interleaving scheme to equally divide the unused sub-carrier symbols over a plurality of transmission symbols.

19

7. A method according to claim 1, further comprising:
transmitting data over one of the control channels, the
communication network having a Third Generation
Partnership Project (3GPP) Long Term Evolution
(LTE) architecture. 5
8. An apparatus, comprising:
at least one processor, and
at least one memory including computer program code,
wherein the at least one memory and the computer
program code are configured to, with the at least one 10
processor, cause the apparatus at least to:
receive a sub-set of channel parameters through system
information signaling,
[automatically map control channels to physical resources
of a communication network according to the received 15
channel parameters, and]
determine a number of the control channels based on the
channel parameters, and
*automatically mapping control channels to physical
resources of a communication network according to the 20
received channel parameters,*
wherein the control channels are separately coded,
wherein the channel parameters include a number of
transmission symbols available in the control channels,
and wherein the number of transmission symbols is 25
determined based on a number of sub-carriers available
for control information transmission in each of the
transmission symbols,
wherein the control channels are interleaved, and
wherein the interleaving comprises a matrix of bits of 30
control information corresponding to the control chan-
nels, and comprises an inter-column permutation pat-
tern of the matrix, and
[transmit] *receive* the control information over the control
channels mapped to the physical resources. 35
9. An apparatus according to claim 8, wherein the physi-
cal resources include a plurality of sub-carriers.
10. An apparatus according to claim 8, wherein an effec-
tive control channel code rate is adjusted to obtain a desired
number of the control channels. 40
11. An apparatus according to claim 8, further comprising:
interleaving logic configured to equally divide unused
sub-carrier symbols over a plurality of transmission
symbols, wherein the unused sub-carrier symbols are
allocated according to an interleaving scheme. 45
12. An apparatus according to claim 8, further compris-
ing:
a plurality of transmit antennas; and
a transceiver coupled to the transmit antennas and con-
figured to transmit data over one of the control chan- 50
nels, the communication network having a Third Gen-
eration Partnership Project (3GPP) Long Term
Evolution (LTE) architecture.
13. An apparatus, comprising:
at least one processor; and 55
at least one memory including computer program code,
wherein the at least one memory and the computer
program code are configured to, with the at least one
processor, cause the apparatus at least to:

20

- receive a sub-set of channel parameters through system
information signaling,*
*determine a number of the control channels based on the
sub-set of channel parameters, and*
determine location of one of a plurality of coded control
channels established over a multiple input multiple
output (MIMO) communication system by automati-
cally mapping the control channels to a plurality of
sub-carriers designated for use within the system,
wherein the sub-carriers are allocated to a plurality of
transmission symbols that include Orthogonal Fre-
quency Division Multiplexing (OFDM) symbols,
[wherein the at least one memory and the computer
program code are further configured to, with the at least
one processor, cause the apparatus at least to receive a
sub-set of channel parameters through system informa-
tion signaling,
wherein the at least one memory and the computer
program code are further configured to, with the at least
one processor, cause the apparatus at least to determine
a number of the control channels based on the sub-set
of channel parameters,]
wherein the channel parameters include a number of
transmission symbols available in the control channels,
and wherein the number of transmission symbols is
determined based on a number of sub-carriers available
for control information transmission in each of the
transmission symbols,
wherein the control channels are interleaved, and
wherein the interleaving comprises a matrix of bits of
control information corresponding to the control chan-
nels, and comprises an inter-column permutation pat-
tern of the matrix, and
[transmit] *receive* the control information over the control
channels mapped to the physical resources.
14. An apparatus according to claim 13, wherein the
number of OFDM symbols in each of the control channels
is variable, the at least one memory and the computer
program code are further configured to, with the at least one
processor, cause the apparatus at least to determine the
number of OFDM symbols based on a desired number of the
control channels.
15. An apparatus according to claim 13, wherein the
number of OFDM symbols is predetermined, and the at least
one memory and the computer program code are further
configured to, with the at least one processor, cause the
apparatus at least to adjust an effective control channel code
rate to obtain a desired number of the control channels.
16. An apparatus according to claim 13, further compris-
ing:
a plurality of antennas; and
a transceiver configured to transmit data over one of the
control channels of the MIMO communication system,
the MIMO communication system having a Third
Generation Partnership Project (3GPP) Long Term
Evolution (LTE) architecture.

* * * * *