



US00RE48743E

(19) **United States**
(12) **Reissued Patent**
Shalev

(10) **Patent Number: US RE48,743 E**
(45) **Date of Reissued Patent: Sep. 21, 2021**

(54) **TODDLER FORK**
(71) Applicant: **ELLI & NOOLI, LLC**, Los Angeles, CA (US)
(72) Inventor: **Maya Shalev**, Los Angeles, CA (US)
(73) Assignee: **Elli & Nooli, LLC**, Los Angeles, CA (US)
(21) Appl. No.: **29/704,367**
(22) Filed: **Sep. 4, 2019**

(56) **References Cited**
U.S. PATENT DOCUMENTS
D148,693 S * 2/1948 Grosvenor D21/406
D336,520 S * 6/1993 McDaniel D24/194
D339,036 S * 9/1993 McDaniel D7/643
D349,770 S * 8/1994 Jarnagin D24/198
(Continued)

Primary Examiner — Philip S Hyder
(74) *Attorney, Agent, or Firm* — K&L Gates LLP

(57) **CLAIM**
The ornamental design for a toddler fork, as shown and described herein.

Related U.S. Patent Documents
Reissue of:
(64) Patent No.: **Des. 799,910**
Issued: **Oct. 17, 2017**
Appl. No.: **29/558,965**
Filed: **Mar. 23, 2016**
(51) **LOC (13) Cl.** **07-03**
(52) **U.S. Cl.**
USPC **D7/653**
(58) **Field of Classification Search**
USPC D7/368, 401.2, 642–645, 653–664, 669, D7/675–677, 683, 688–689, 691; D8/107, 300–301; D21/576, 606–609, D21/625–627; D22/117–118; D24/194, D24/196
CPC ... A01D 9/02; A01D 9/04; A01D 9/06; A47G 21/00; A47G 21/004; A47G 21/005; A47G 21/02; A47G 21/023; A47G 21/04; A47G 21/06; A47G 21/08; A47J 43/28; A47J 43/281; A47J 43/282; A61F 13/10; A61J 7/0023; A46B 5/02; B25G 1/00; B25G 1/01; B25G 1/02; B25G 3/00; B65D 75/56; B65D 75/563; B65D 75/566; B67B 7/00; B67B 7/724; B67B 7/73
See application file for complete search history.

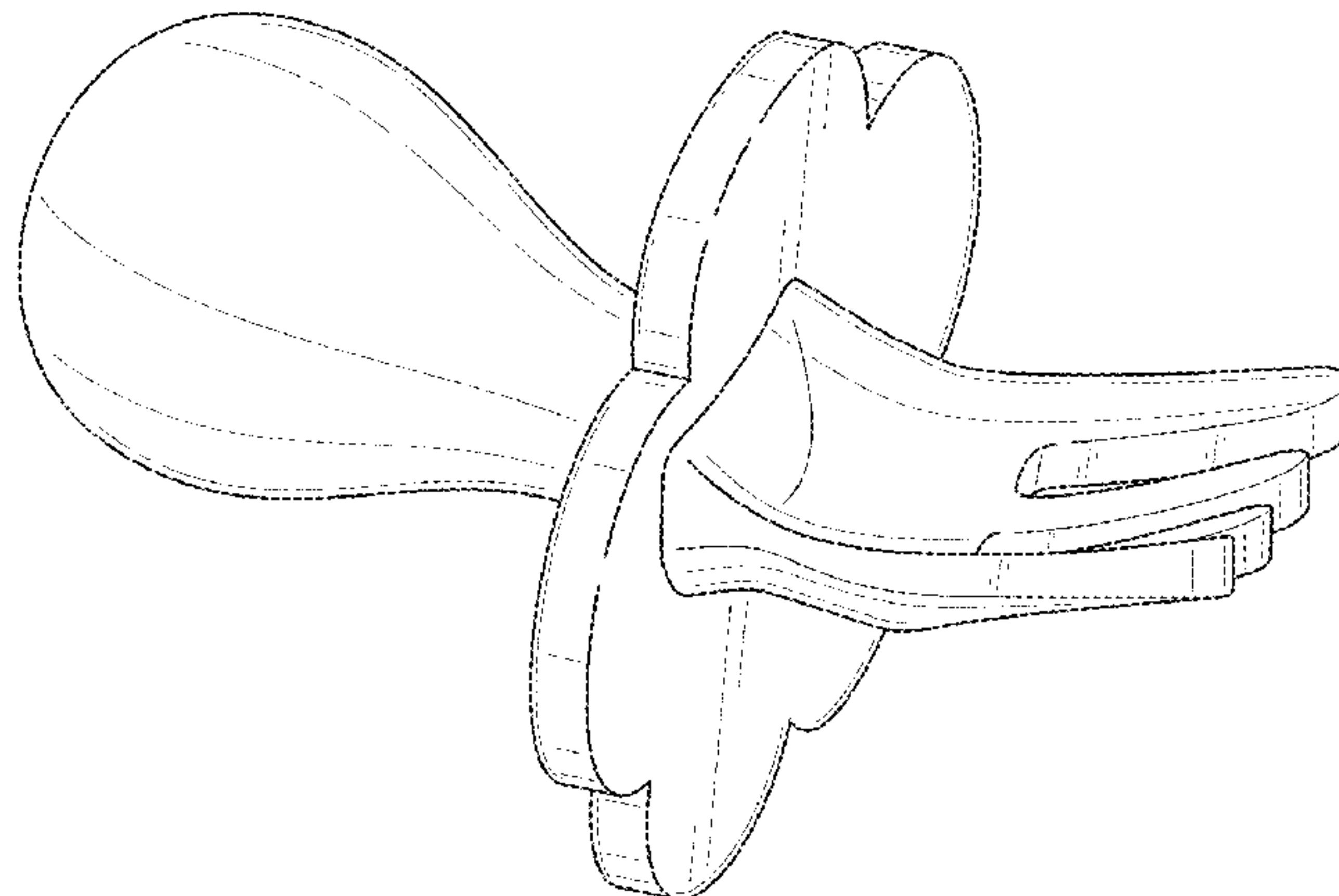
DESCRIPTION

More than one reissue application has been filed for the reissue of U.S. Pat. No. D. 799,910. U.S. application Ser. No. 29/729,403, filed Mar. 26, 2020 and U.S. application Ser. No. 29/729,409, filed Mar. 26, 2020 were filed as divisional reissue applications from reissue U.S. application Ser. No. 29/704,367.

FIG. 1 illustrates a side view of a toddler fork showing my new design, the opposite side view being a mirror image thereof.
FIG. 2 illustrates a top plan view of the toddler fork of FIG. 1.
FIG. 3 illustrates a bottom plan view of the toddler fork of FIG. 1.
FIG. 4 illustrates a front elevational view of the toddler fork of FIG. 1.
FIG. 5 illustrates a perspective view of the top-side of the toddler fork of FIG. 1; and,
FIG. 6 illustrates a perspective view of the bottom-side of the toddler fork of FIG. 1.
Any broken lines in the drawings are for illustrative purposes only and form no part of the claimed design. Additionally, the toddler fork is not limited to the scale shown herein.

1 Claim, 6 Drawing Sheets

Matter enclosed in heavy brackets [] appears in the original patent but forms no part of this reissue; matter printed in italics indicates the additions made by reissue.



AMENDED

(56)

References Cited

U.S. PATENT DOCUMENTS

5,890,223 A * 4/1999 Klemmer A47G 21/02
 30/150
 D413,049 S * 8/1999 Bergkvist D7/653
 6,134,790 A * 10/2000 Watson A47G 21/02
 30/295
 D482,248 S * 11/2003 Roehrig D7/663
 6,668,415 B2 * 12/2003 Rohrig A46B 5/02
 15/167.1
 D491,420 S * 6/2004 Shibata D7/653
 D496,833 S * 10/2004 Lantz D7/653
 D567,383 S * 4/2008 Rohrig D24/194
 D582,046 S * 12/2008 Rohrig D24/194
 D592,019 S * 5/2009 Holcomb D7/643
 D616,557 S * 5/2010 Roehrig D24/194
 D619,414 S * 7/2010 Williams D7/401.2
 D641,595 S * 7/2011 Matari D7/642
 D655,138 S * 3/2012 Roberts D7/401.2
 D676,718 S * 2/2013 Rockwell D7/642
 D682,613 S * 5/2013 De Leo D7/401.2
 D695,361 S * 12/2013 Roehrig D21/525
 D707,307 S * 6/2014 Roehrig D21/525
 D790,929 S * 7/2017 Perez D7/401.2
 D797,525 S * 9/2017 Garza, Jr. D7/653
 D799,280 S * 10/2017 Shalev D7/653
 D799,910 S * 10/2017 Shalev D7/653

* cited by examiner

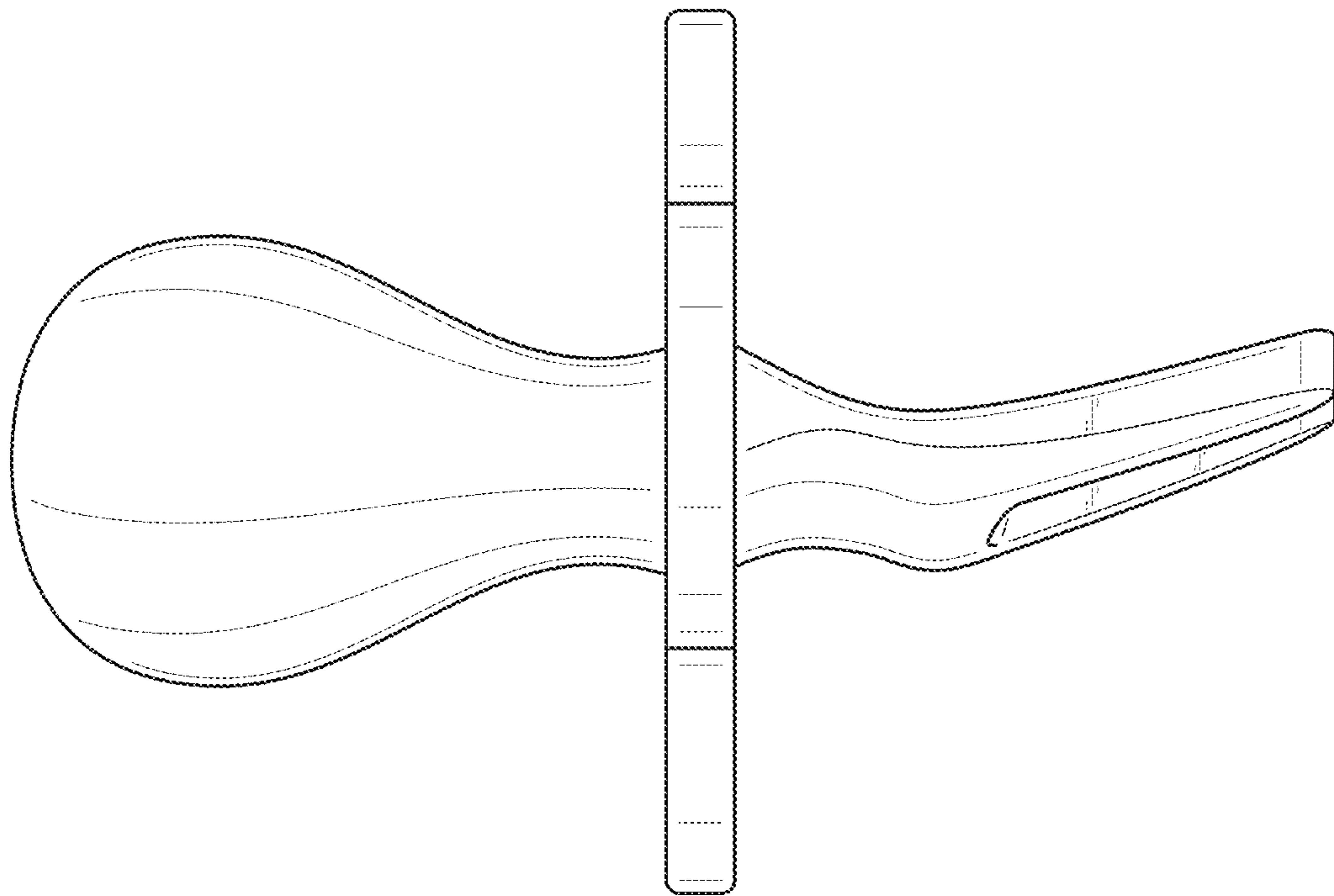


FIG. 1

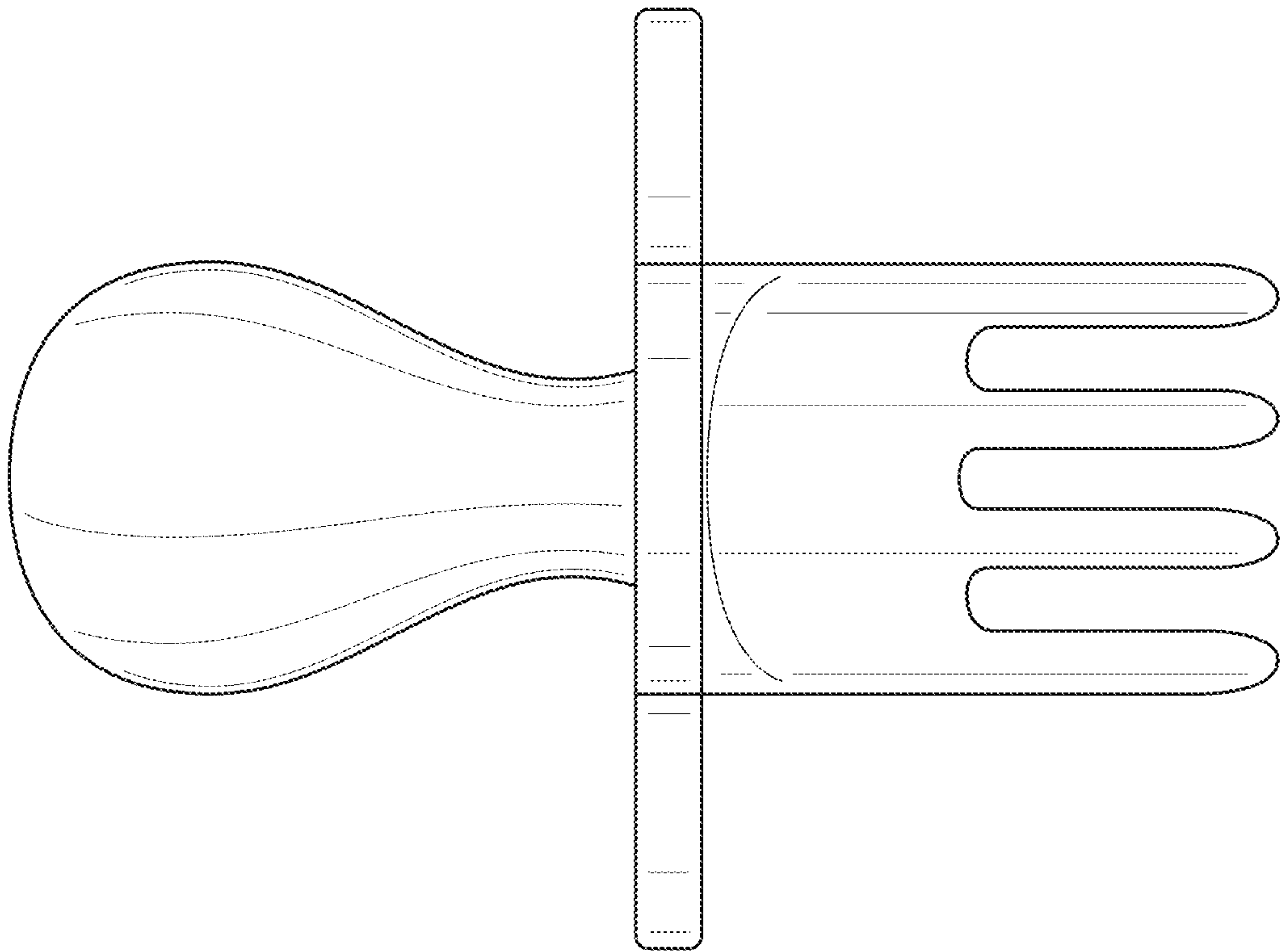


FIG. 2

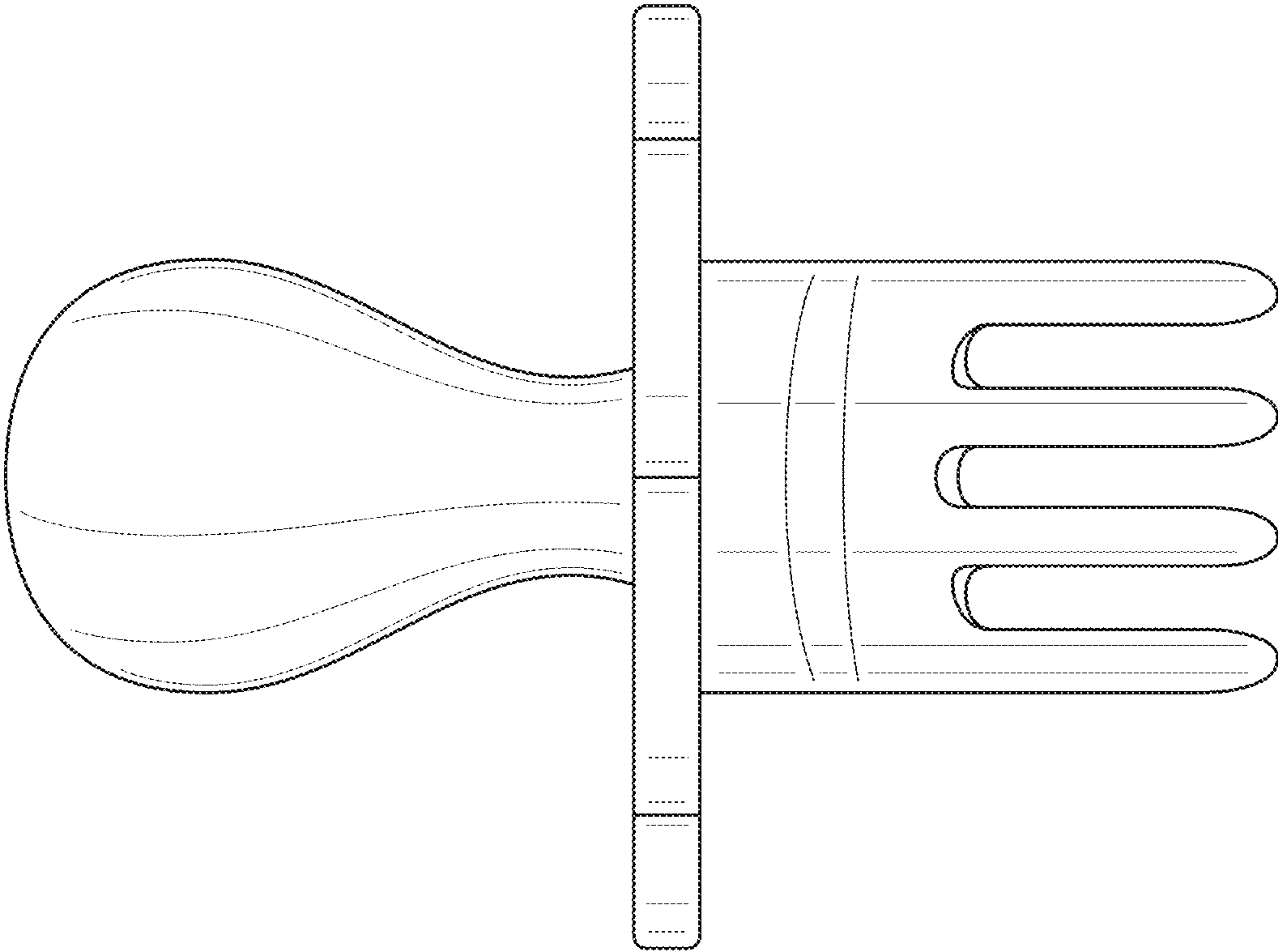


FIG. 3

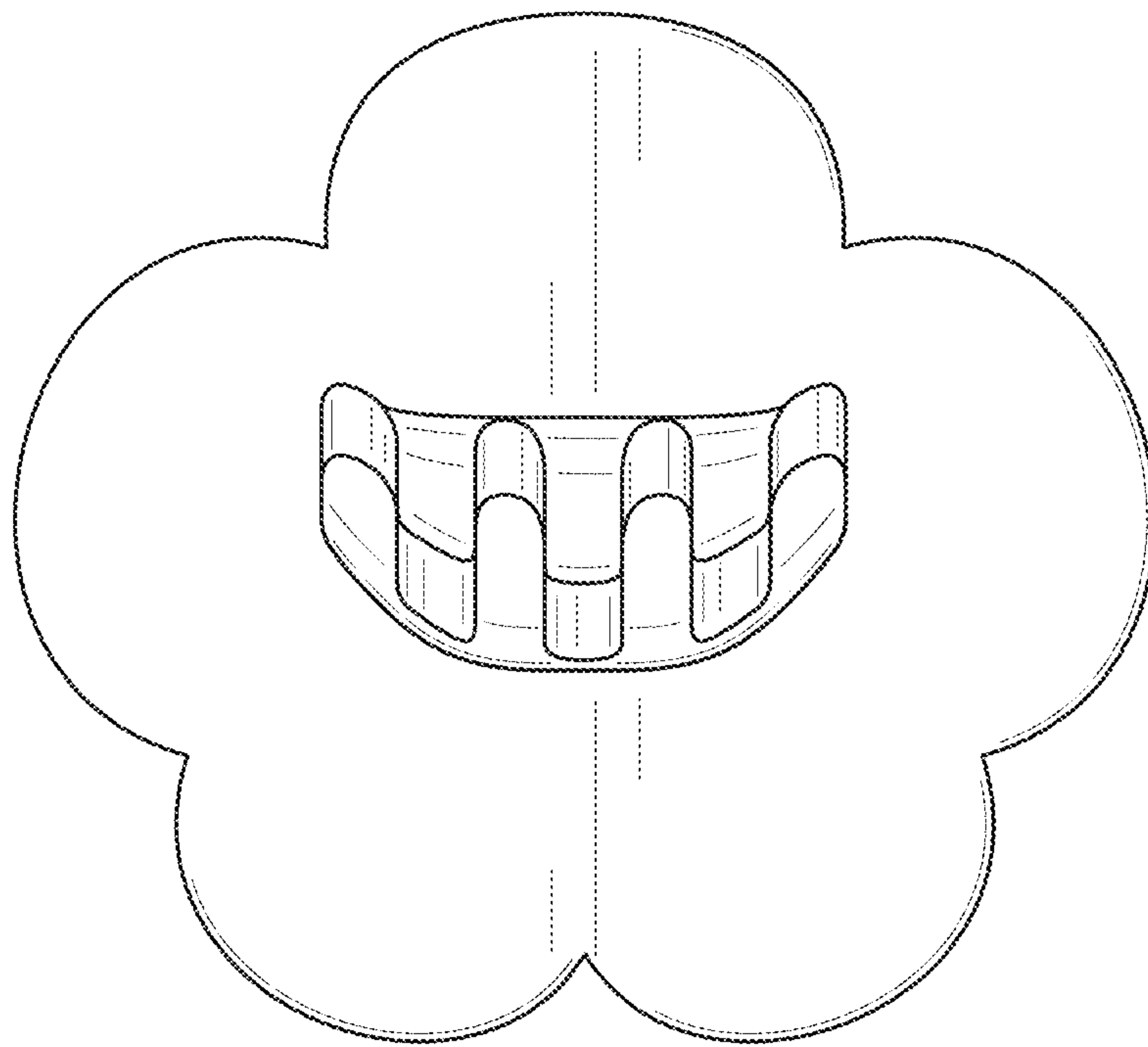


FIG. 4 AMENDED

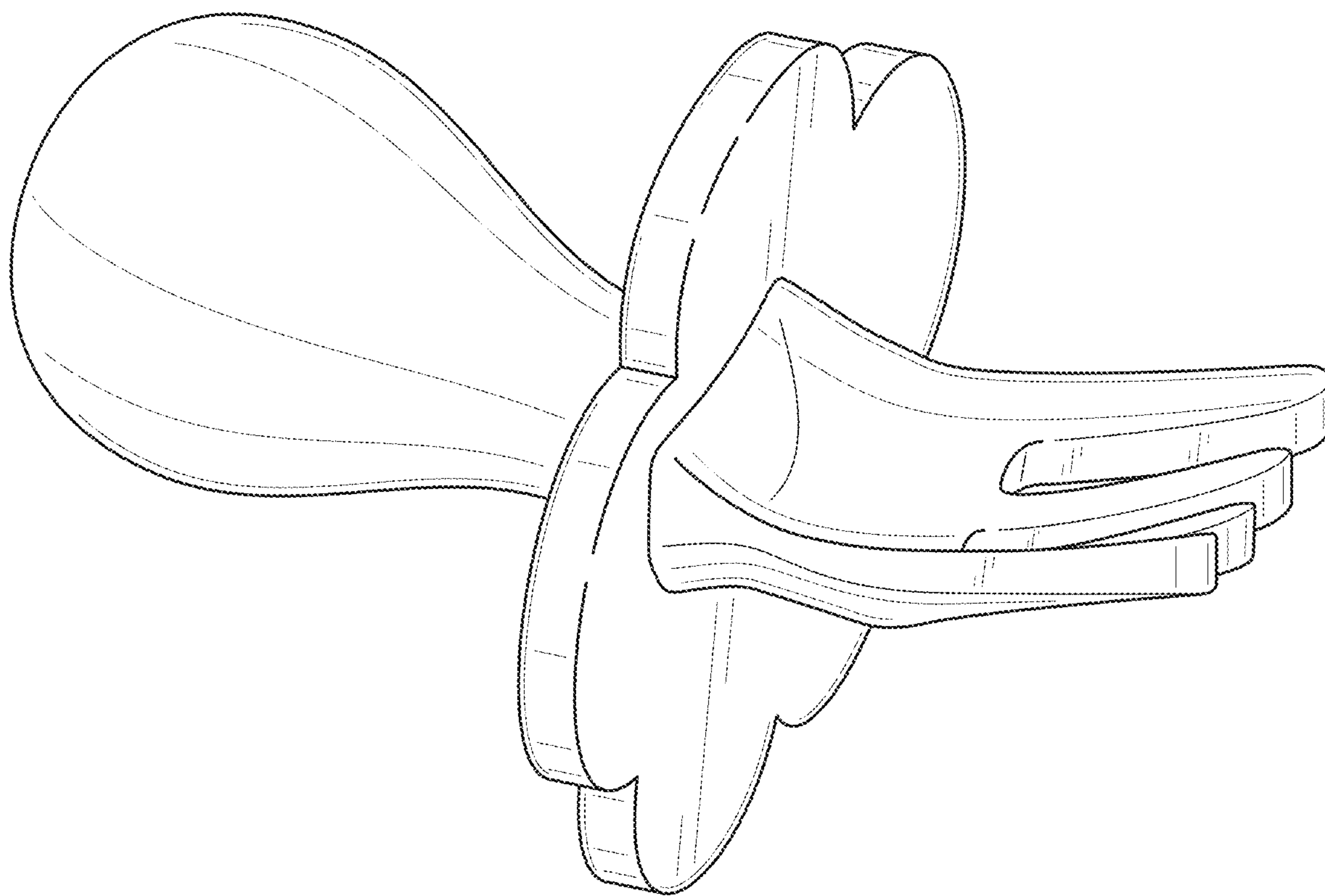


FIG. 5 AMENDED

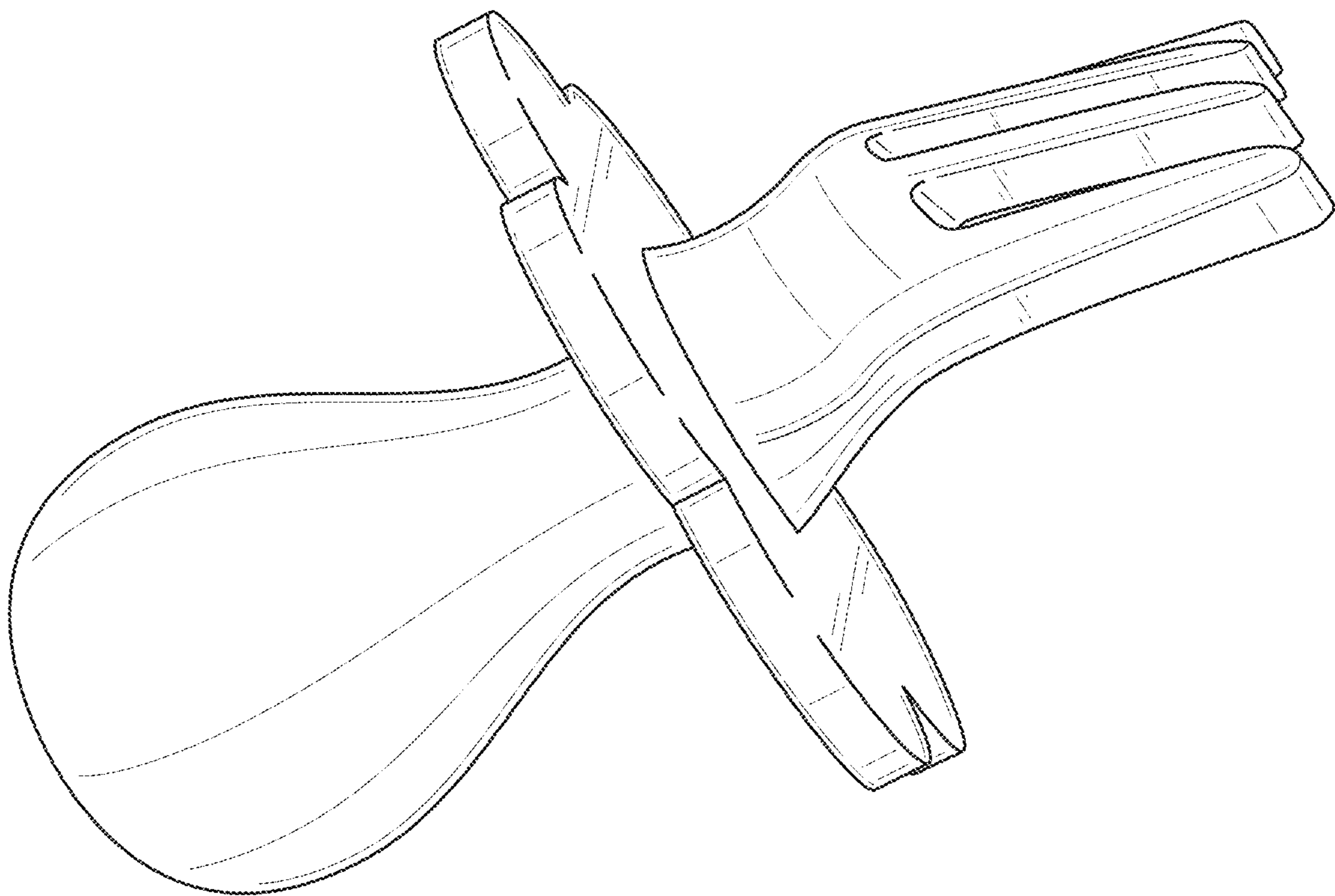


FIG. 6 AMENDED