

US00RE48727E

(19) **United States**
(12) **Reissued Patent**
Nelson

(10) **Patent Number: US RE48,727 E**
(45) **Date of Reissued Patent: Sep. 14, 2021**

(54) **MAGNETIC SHELF**
(71) Applicant: **Kelly Nelson**, Seatac, WA (US)
(72) Inventor: **Kelly Nelson**, Seatac, WA (US)
(21) Appl. No.: **29/741,209**
(22) Filed: **Jul. 10, 2020**

D338,685 S * 8/1993 Dakich D19/92
5,638,966 A * 6/1997 Kuntz A47K 10/40
211/153
5,677,030 A * 10/1997 Shanok A47B 96/027
108/27

(Continued)

FOREIGN PATENT DOCUMENTS

WO 2002064457 A1 8/2002
Primary Examiner — Philip S Hyder
(74) *Attorney, Agent, or Firm* — Banner & Witcoff, Ltd.

Related U.S. Patent Documents

Reissue of:

(64) Patent No.: **Des. 822,412**
Issued: **Jul. 10, 2018**
Appl. No.: **29/547,218**
Filed: **Dec. 2, 2015**

(57) **CLAIM**

I claim the ornamental design for a magnetic shelf, as shown and described.

(51) **LOC (13) Cl.** **06-06**
(52) **U.S. Cl.**
USPC **D6/673; D6/574**
(58) **Field of Classification Search**
USPC D6/673, 378, 680.2, 683, 684, 512, 705,
D6/538, 547, 567; D20/42; D8/380, 381
CPC A47F 5/0068; A47F 5/0025; A47B 96/027;
B25H 3/06; B65D 1/34; B65D 21/00;
B65D 2313/04
See application file for complete search history.

DESCRIPTION

This application is an application for reissue of U.S. Pat. No. D822,412, issued on Jul. 10, 2018, which corresponds to U.S. patent application Ser. No. 29/547,218, the entire contents of which are incorporated herein by reference.

FIG. 1 is a front view of a magnetic shelf[.];

FIG. 2 is a back view thereof[.];

FIG. 3 is a left view thereof[.];

FIG. 4 is a right view thereof[.];

FIG. 5 is a top view thereof; and,

FIG. 6 is a bottom view thereof.

[The cord on the power strip is shown broken away to indicate that it has no specific length other than what is shown.] *The broken line showings of the power strip are provided for purposes of environment and form no part of the claimed design.*

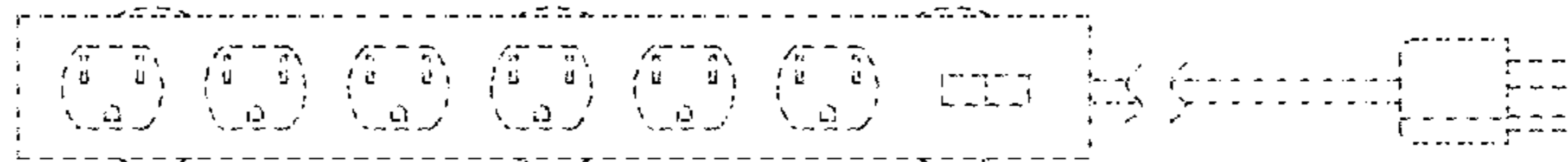
(56) **References Cited**

U.S. PATENT DOCUMENTS

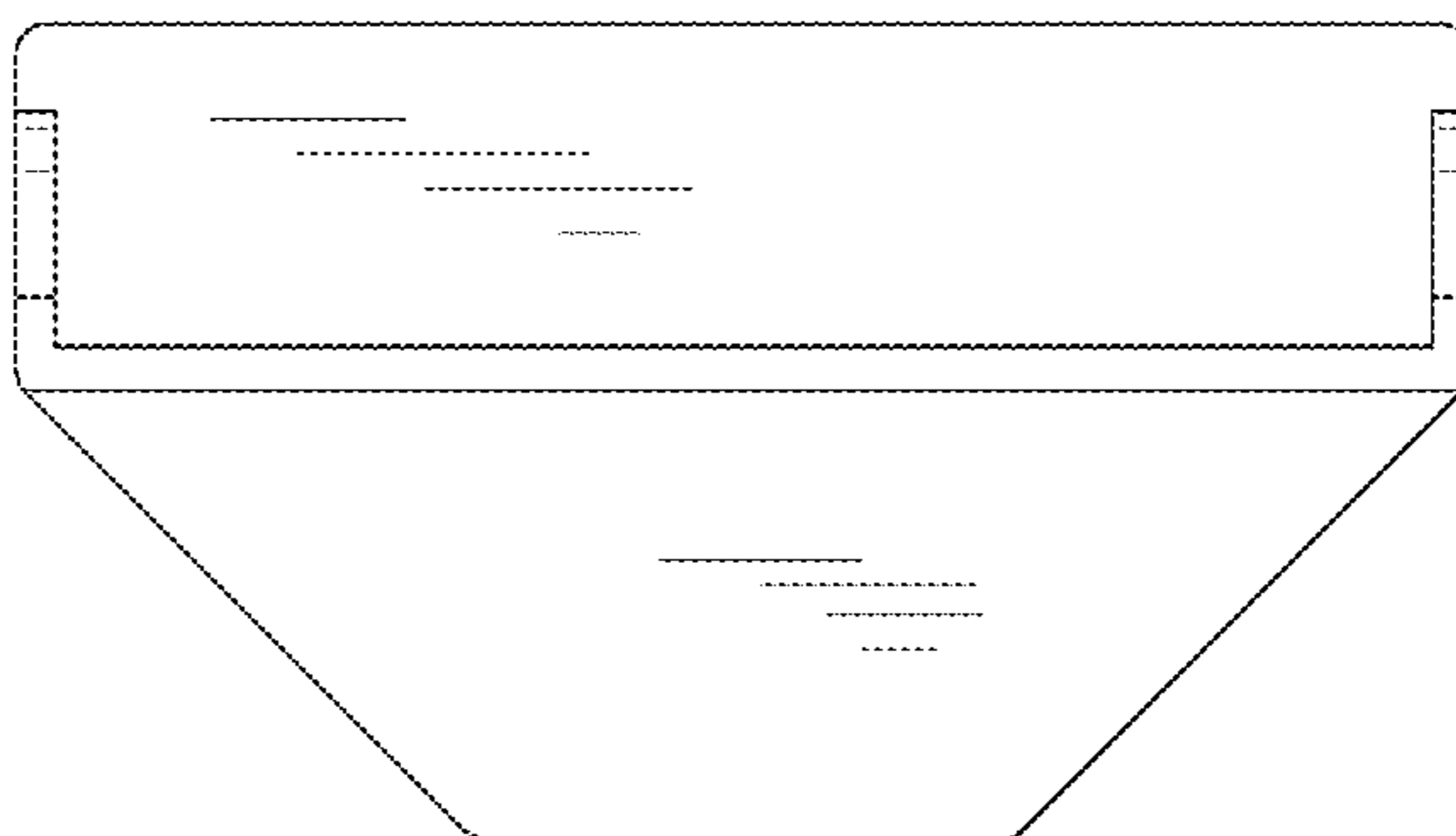
D109,467 S * 5/1938 Armstrong et al. D6/678
D214,300 S * 5/1969 Giesecke et al. D6/683
D218,352 S * 8/1970 Hoch et al. D6/683
D234,908 S * 4/1975 Maslow et al. D8/381
D261,936 S * 11/1981 Sumiyasu D13/183
D277,819 S * 3/1985 Crosslen D6/555
D283,657 S * 5/1986 Chaplin D6/675
D289,122 S * 4/1987 Meyer D3/266
D299,396 S * 1/1989 Meyer D6/522
D301,101 S * 5/1989 Meyer D6/553
D322,181 S * 12/1991 Georgopoulos D6/678
5,078,280 A * 1/1992 Nordeen B25H 5/00
211/119.003

1 Claim, 6 Drawing Sheets

Matter enclosed in heavy brackets [] appears in the original patent but forms no part of this reissue; matter printed in italics indicates the additions made by reissue.



AMENDED



(56)

References Cited

U.S. PATENT DOCUMENTS

5,699,910 A * 12/1997 Kubat B25H 3/06
 206/373
 D405,611 S * 2/1999 Hawkins D3/313
 D406,478 S * 3/1999 Rahman D6/683
 D407,558 S * 4/1999 Huguet D3/314
 D416,421 S * 11/1999 Hampshire D3/304
 D419,301 S * 1/2000 Hampshire D3/304
 6,041,717 A * 3/2000 Kubat B60R 11/06
 108/44
 D451,367 S * 12/2001 Nakamura D8/330
 D529,737 S * 10/2006 Terada D6/678
 D550,482 S * 9/2007 Belokin A47F 5/0068
 D6/683
 D575,966 S * 9/2008 Hopkins D3/313
 D575,972 S * 9/2008 Shiao D6/567
 D579,660 S * 11/2008 Snider D3/304
 D589,723 S * 4/2009 Zealer D6/683
 D595,423 S * 6/2009 Johansson D24/229
 D602,722 S * 10/2009 Sandine D6/553

D616,688 S * 6/2010 Hernandez D6/553
 D632,901 S * 2/2011 Christoffel D6/683
 D640,489 S * 6/2011 Tuholski D6/574
 D660,633 S * 5/2012 Estrup D6/574
 D667,633 S * 9/2012 Searcy D3/313
 D668,076 S * 10/2012 Gokey D6/681.1
 D690,533 S * 10/2013 Majcher D6/574
 D711,665 S * 8/2014 Mattei D6/567
 8,967,562 B1 * 3/2015 Bileth A47G 23/0225
 220/23.2
 D745,817 S * 12/2015 Amash D8/71
 D757,184 S * 5/2016 Balanchi D21/404
 D771,044 S * 11/2016 Nguyen D14/385
 D775,466 S * 1/2017 Wang D3/304
 D775,827 S * 1/2017 Wang D3/304
 D775,828 S * 1/2017 Wang D3/304
 D775,829 S * 1/2017 Wang D3/304
 D775,931 S * 1/2017 van Hillo D8/349
 D776,965 S * 1/2017 Anderson D6/705
 2006/0283819 A1 * 12/2006 Larsen A47F 1/12
 211/59.2

* cited by examiner

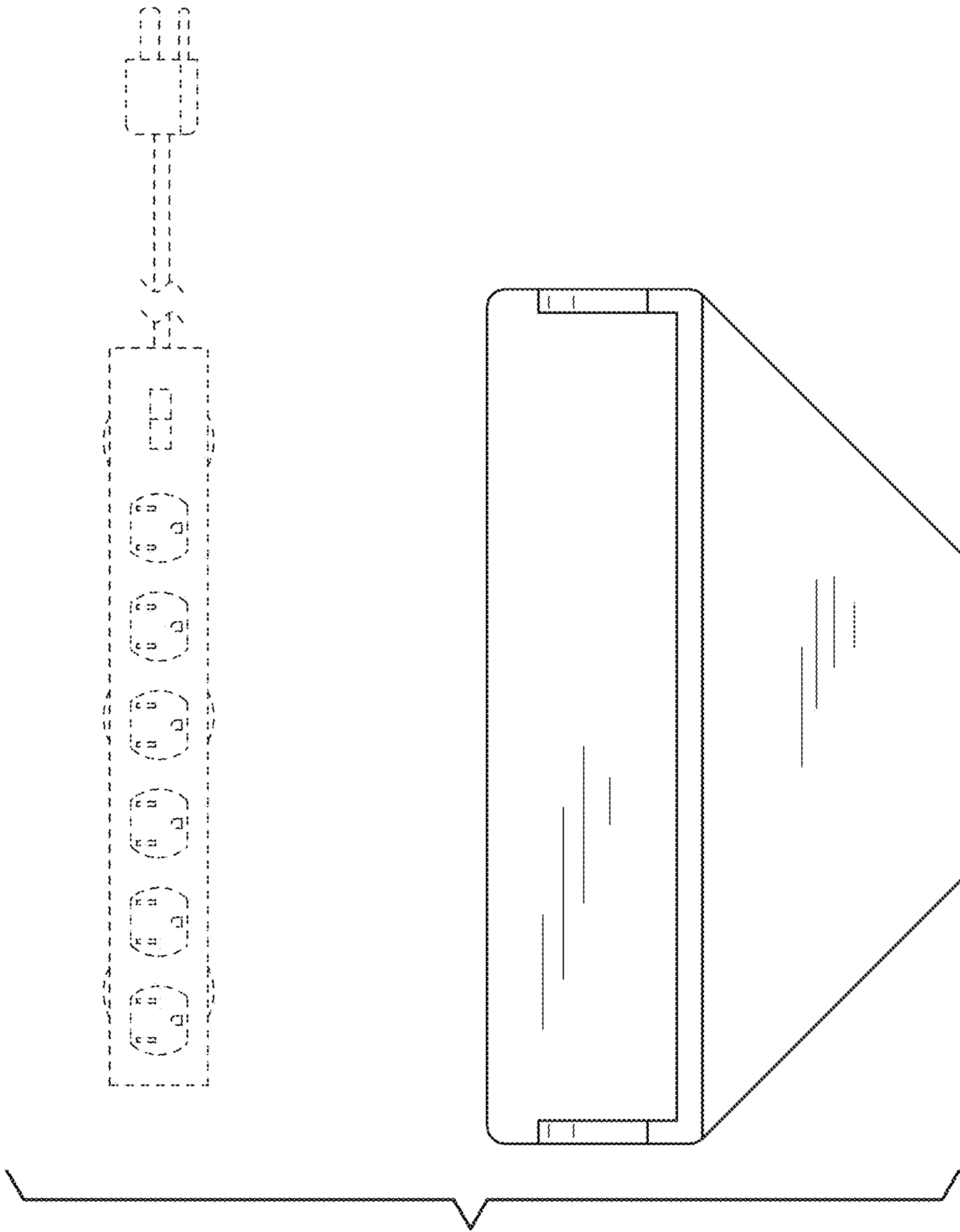


FIG. 1
AMENDED

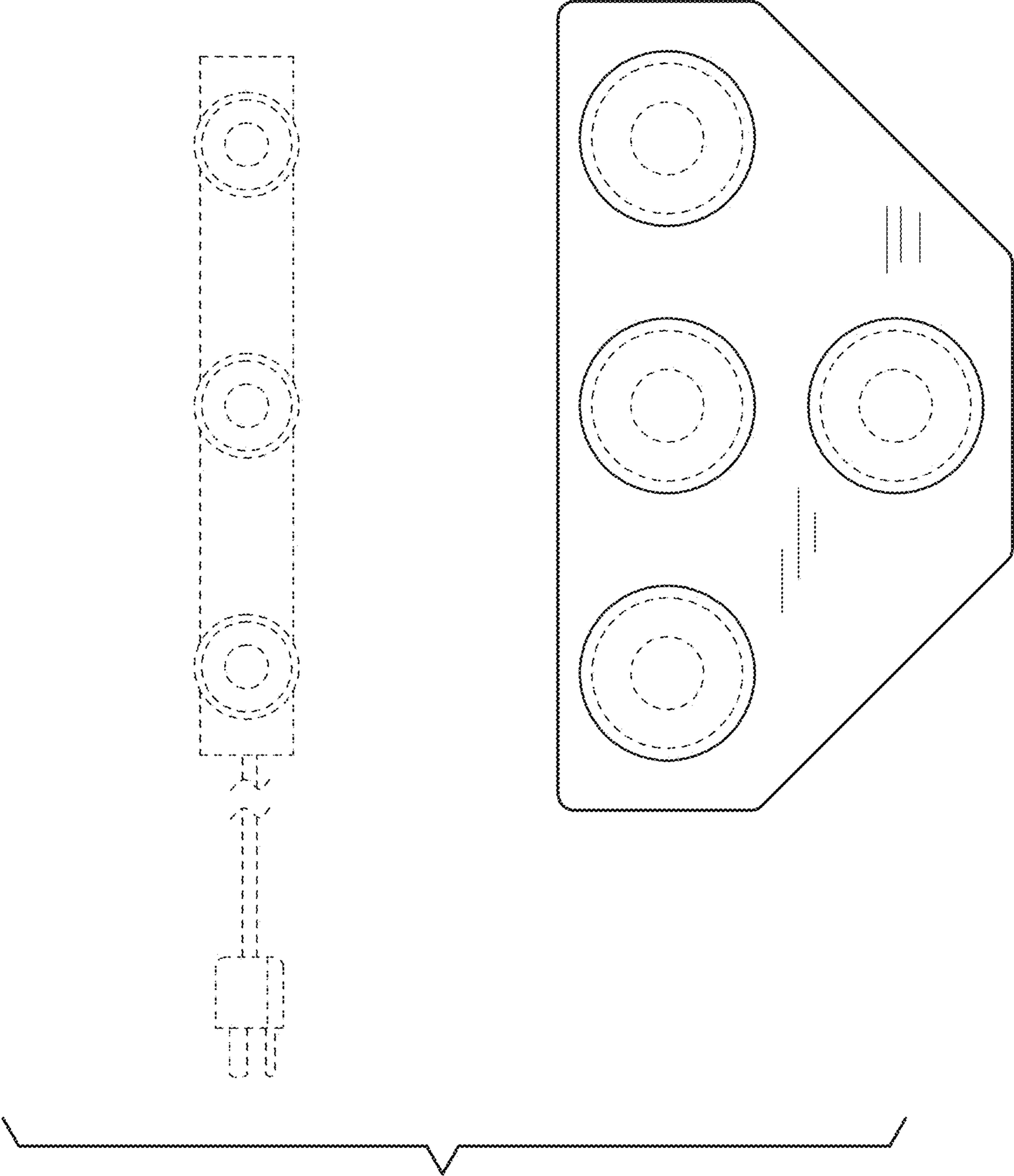


FIG. 2
AMENDED

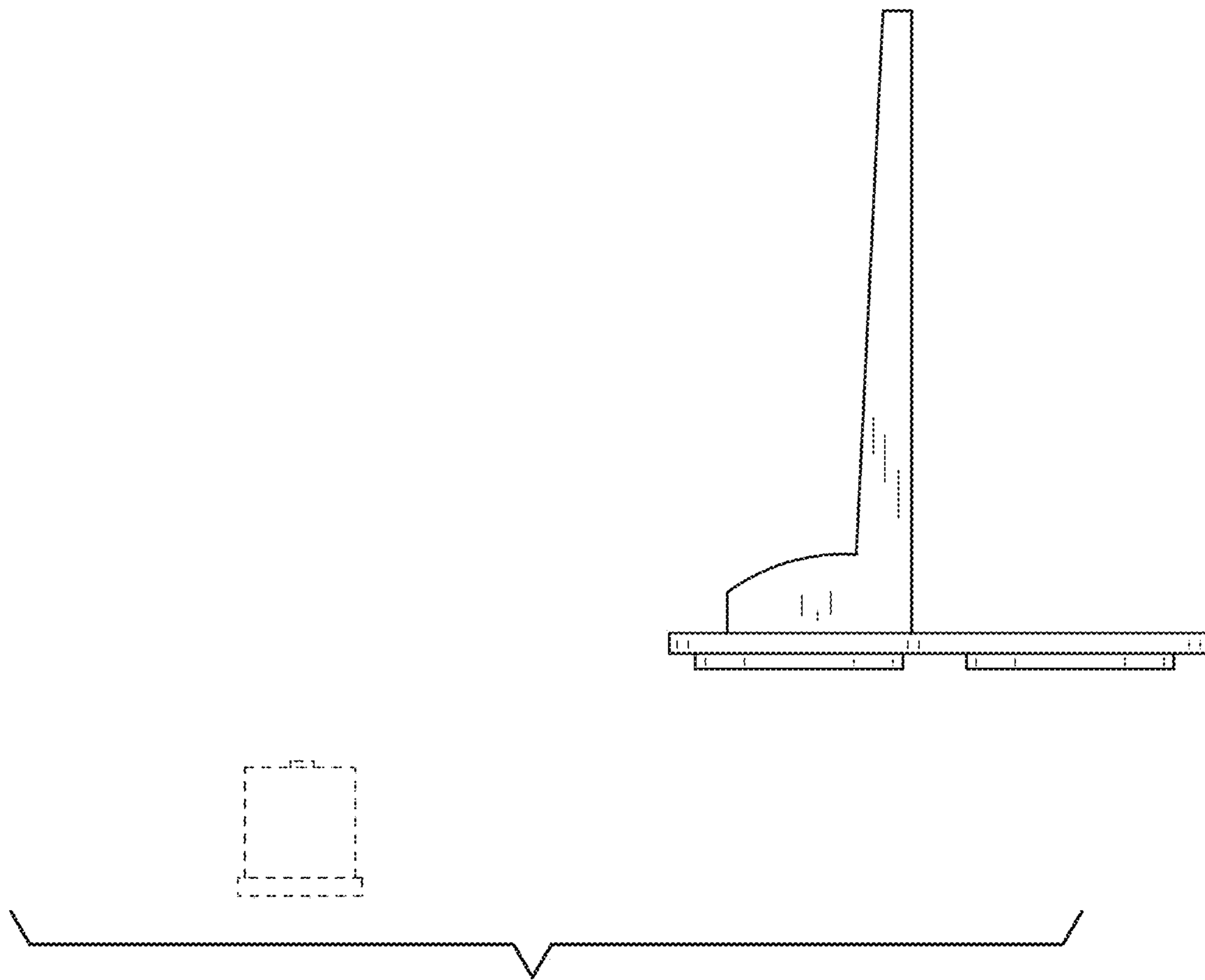


FIG. 3
AMENDED

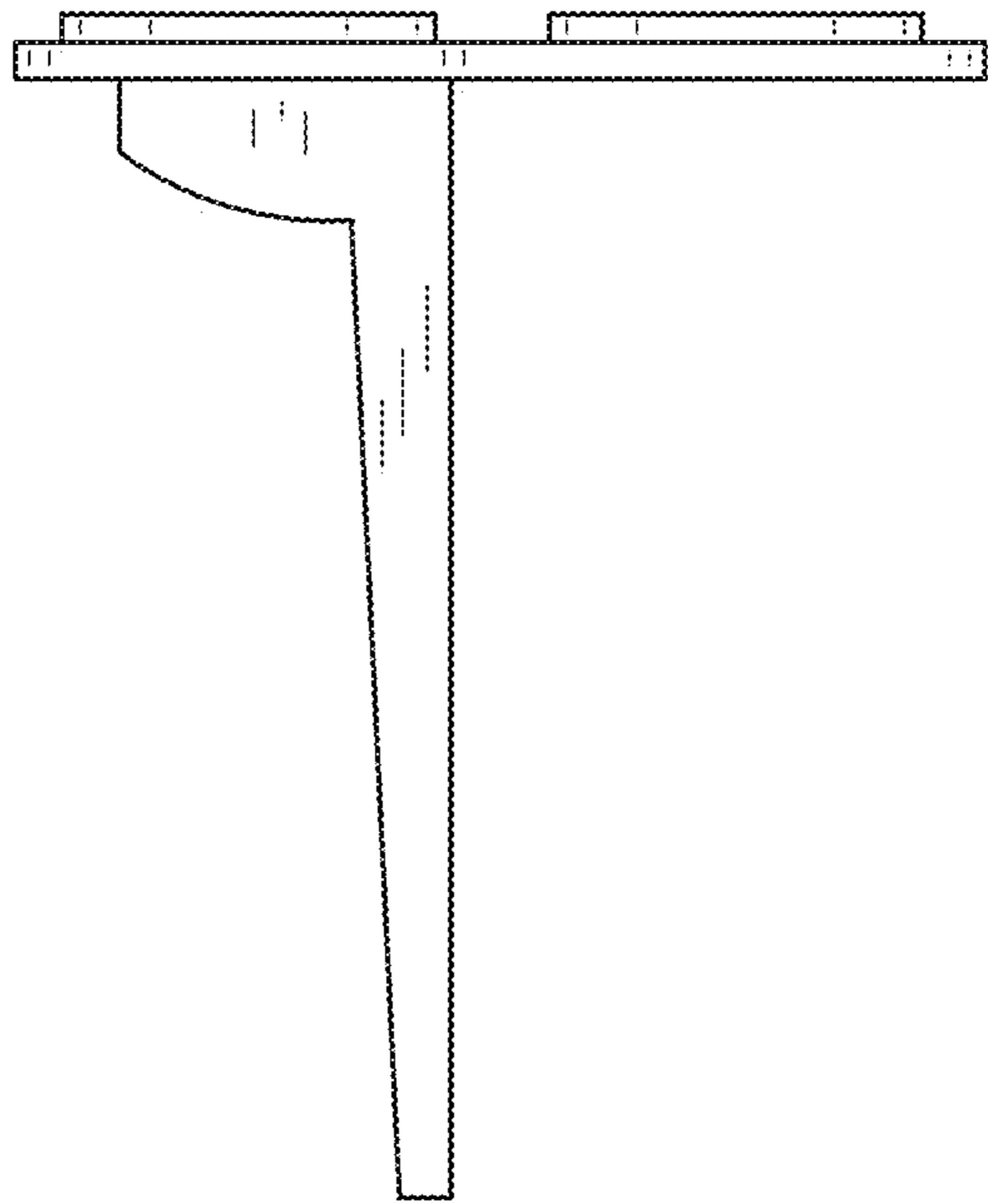


FIG. 4
AMENDED

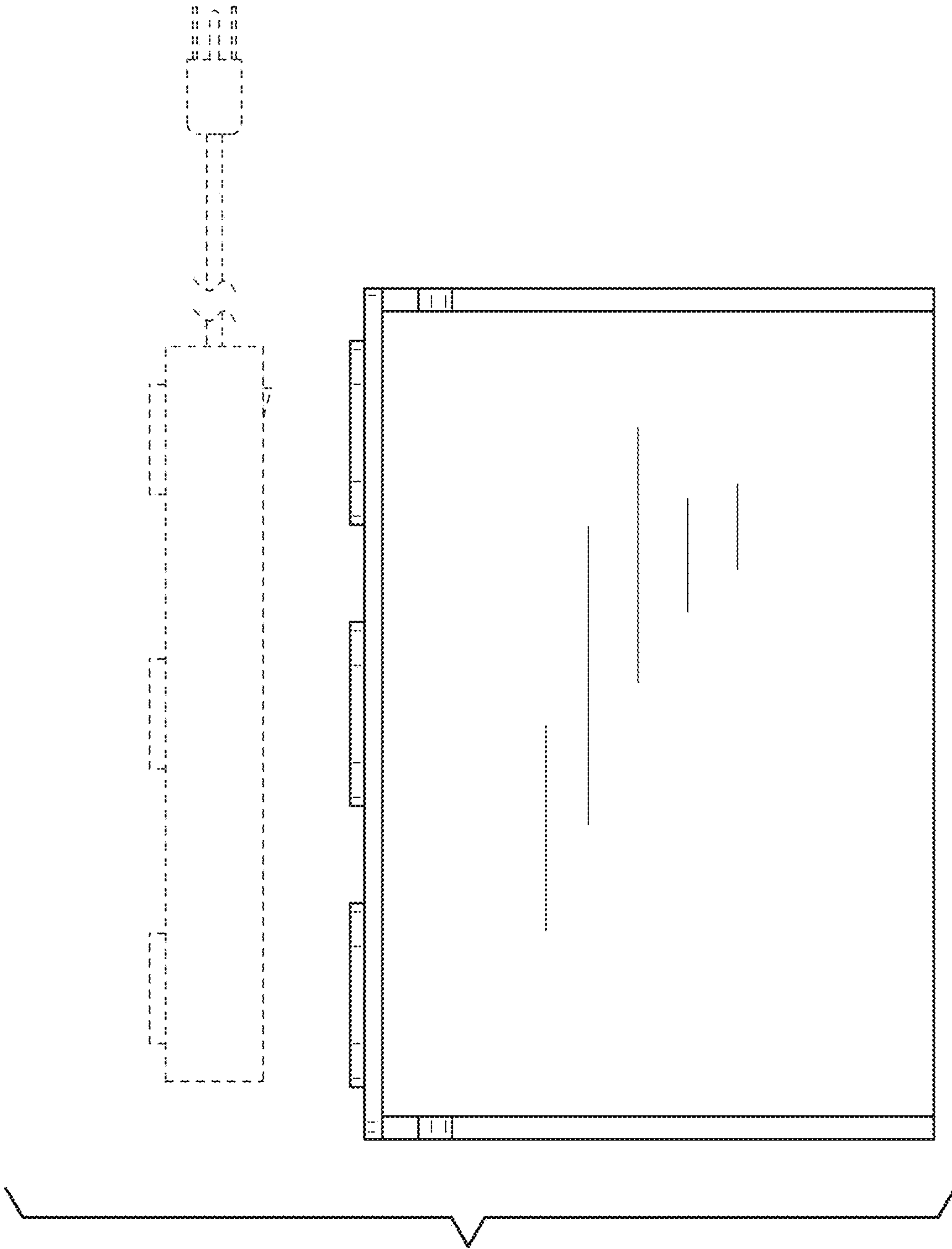


FIG. 5
AMENDED

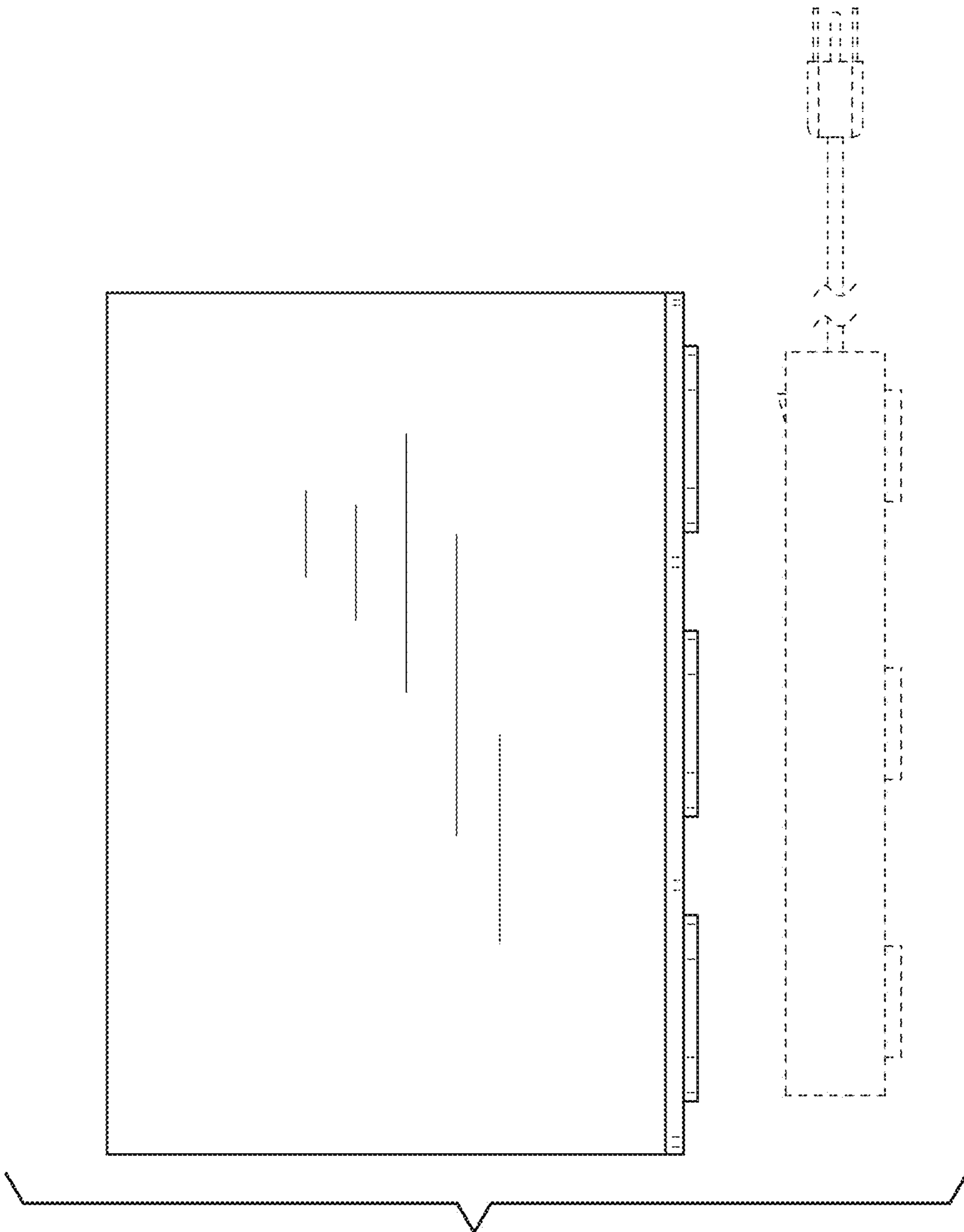


FIG. 6
AMENDED