

US00RE48702E

(19) **United States**  
(12) **Reissued Patent**  
**Yamamoto et al.**

(10) **Patent Number: US RE48,702 E**  
(45) **Date of Reissued Patent: Aug. 24, 2021**

(54) **RECORDING APPARATUS**

(71) Applicant: **Brother Kogyo Kabushiki Kaisha**,  
Nagoya (JP)

(72) Inventors: **Shinya Yamamoto**, Nagoya (JP);  
**Tomoyasu Yabuki**, Nagoya (JP)

(73) Assignee: **Brother Kogyo Kabushiki Kaisha**,  
Nagoya (JP)

(21) Appl. No.: **16/580,382**

(22) Filed: **Sep. 24, 2019**

**Related U.S. Patent Documents**

Reissue of:

(64) Patent No.: **9,004,676**  
Issued: **Apr. 14, 2015**  
Appl. No.: **13/434,203**  
Filed: **Mar. 29, 2012**

U.S. Applications:

(63) Continuation of application No. 15/487,744, filed on  
Apr. 14, 2017, now Pat. No. Re. 47,670, which is an  
application for the reissue of Pat. No. 9,004,676.

(30) **Foreign Application Priority Data**

Mar. 31, 2011 (JP) ..... 2011-079592

(51) **Int. Cl.**  
**B41J 29/13** (2006.01)

(52) **U.S. Cl.**  
CPC ..... **B41J 29/13** (2013.01)

(58) **Field of Classification Search**  
CPC . B41J 29/13; B41J 29/02; B41J 2/1752; B41J  
2/17513; B41J 29/38  
USPC ..... 347/86, 108, 109  
See application file for complete search history.

(56) **References Cited**

U.S. PATENT DOCUMENTS

4,947,208 A 8/1990 Komatsu et al.  
5,083,158 A 1/1992 Kashima et al.  
5,157,416 A 10/1992 Kinoshita et al.  
6,419,411 B1 7/2002 Tanno

(Continued)

FOREIGN PATENT DOCUMENTS

EP 0598701 A2 5/1994  
EP 2163390 A1 3/2010

(Continued)

OTHER PUBLICATIONS

European Patent Office, extended European Search Report for  
European Patent Application No. 11187031.7 (counterpart to co-  
pending U.S. Appl. No. 13/284,664), dated Feb. 7, 2012.

(Continued)

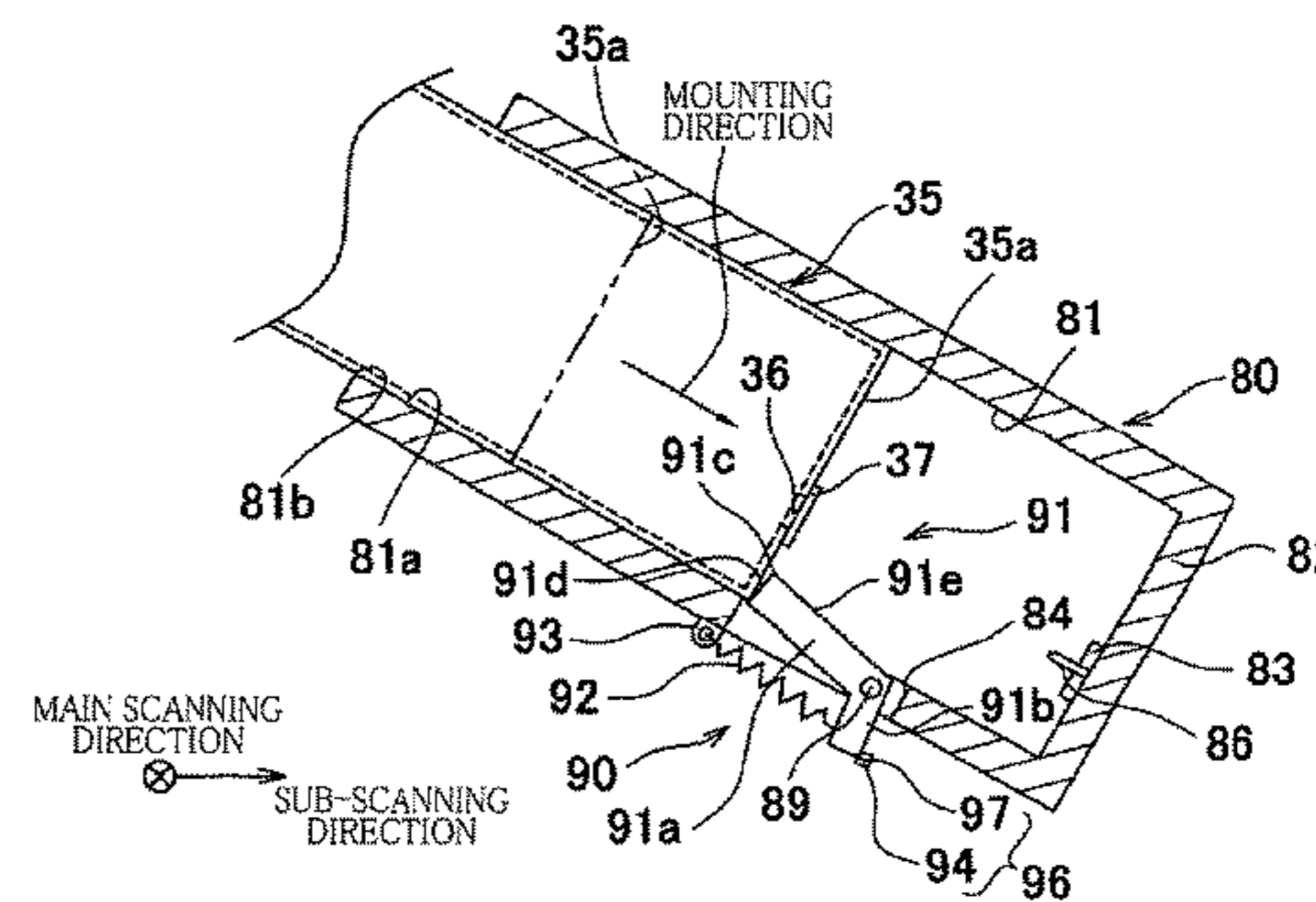
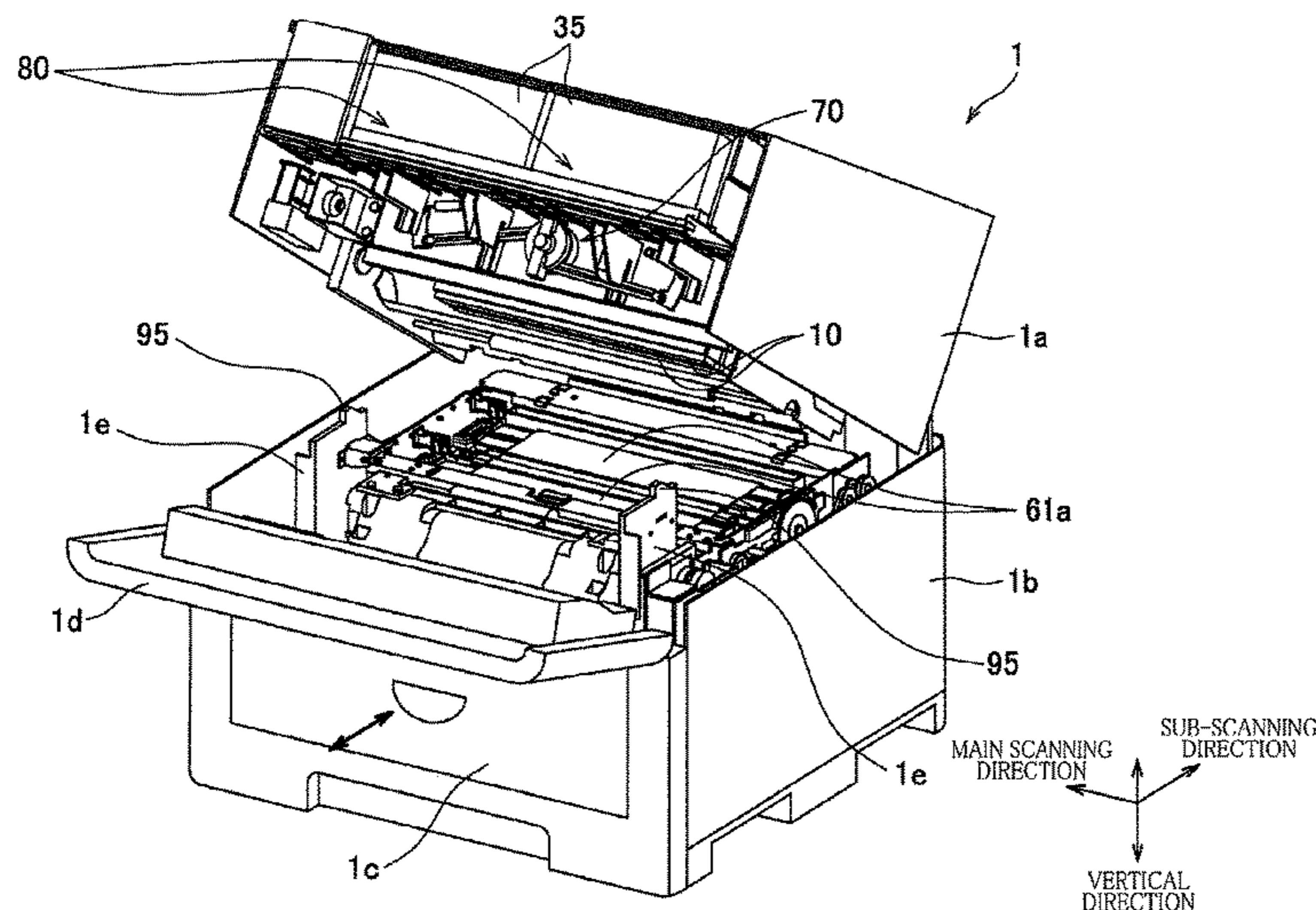
*Primary Examiner* — Minh Nguyen

(74) *Attorney, Agent, or Firm* — Baker Botts L.L.P.

(57) **ABSTRACT**

A recording apparatus includes: a first housing; a second housing pivotable about a shaft relative to the first housing between a close position and a distant position; and a tank mount portion provided in the second housing such that a mounting direction of a tank with respect to the tank mount portion in a state in which the second housing is at the distant position has a downward component in a vertical direction. The tank mount portion includes a resistance applying mechanism which applies a resistance force to the tank in a state in which at least a part of the tank is inserted into the tank mount portion when the second housing is at the distant position.

**14 Claims, 4 Drawing Sheets**



(56)

References Cited

U.S. PATENT DOCUMENTS

2004/0051764 A1\* 3/2004 Cook et al. .... 347/86  
 2004/0125182 A1 7/2004 Akermalm  
 2005/0062793 A1 3/2005 Takagi et al.  
 2005/0151822 A1 7/2005 Kamimura  
 2006/0029418 A1 2/2006 Ishii et al.  
 2007/0149044 A1 6/2007 Asauchi  
 2007/0229620 A1\* 10/2007 Yano ..... 347/86  
 2008/0002003 A1\* 1/2008 Kobayashi ..... 347/86  
 2008/0123126 A1 5/2008 Harris  
 2008/0231662 A1 9/2008 Brown et al.  
 2008/0316283 A1 12/2008 Osawa et al.  
 2009/0002431 A1 1/2009 Osawa et al.  
 2010/0225704 A1\* 9/2010 Aoki et al. .... 347/50  
 2012/0249629 A1 10/2012 Yabuki

FOREIGN PATENT DOCUMENTS

JP S58-116182 A 7/1983  
 JP S60-172575 A 9/1985  
 JP S63-254044 A 10/1988  
 JP H04-083277 A 3/1992  
 JP H05-131720 A 5/1993  
 JP 1994-051582 \* 2/1994 ..... B41J 29/00  
 JP 1994-051582 A 2/1994

JP H06-051582 A 2/1994  
 JP H08-002754 A 1/1996  
 JP H09-258576 A 10/1997  
 JP 2000-095374 A 4/2000  
 JP 2002-001987 A 1/2002  
 JP 2004-345307 A 12/2004  
 JP 2005-088209 A 4/2005  
 JP 2005-096187 A 4/2005  
 JP 2006-044128 A 2/2006  
 JP 2006-142608 A 6/2006  
 JP 2008-188948 A 8/2008  
 JP 2009-001011 A 1/2009  
 JP 2009-072931 A 4/2009  
 JP 2010-260356 A 11/2010  
 WO 01/89836 A1 11/2001

OTHER PUBLICATIONS

Japan Patent Office, Notification of Reason for Refusal for Japanese Patent Application No. 2011-079592 (counterpart Japanese patent application), dated Apr. 16, 2013.

European Patent Office, extended European Search Report for European Patent Application No. 12161484.6 (counterpart European patent application), dated Jan. 30, 2013.

\* cited by examiner

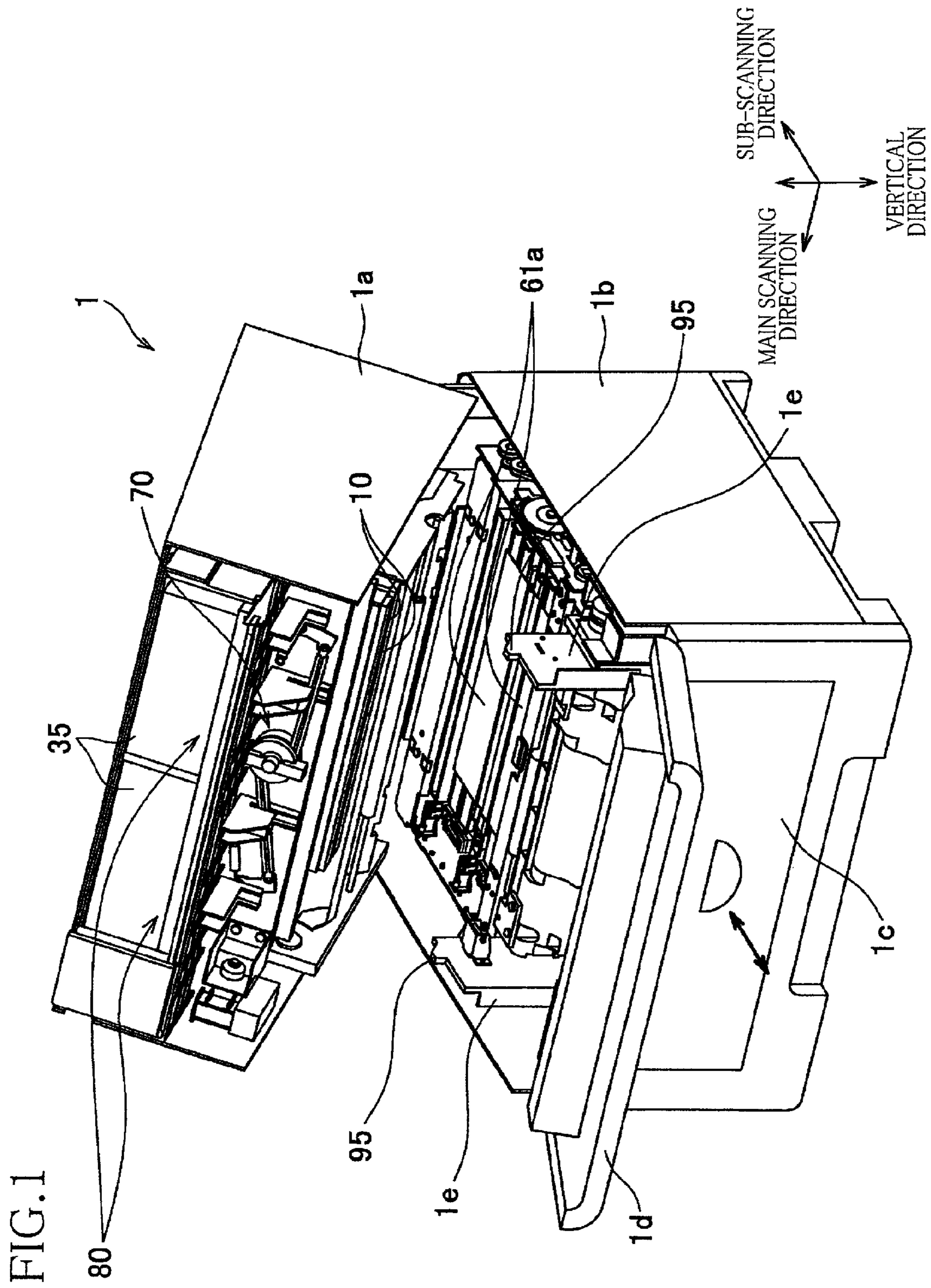


FIG. 2

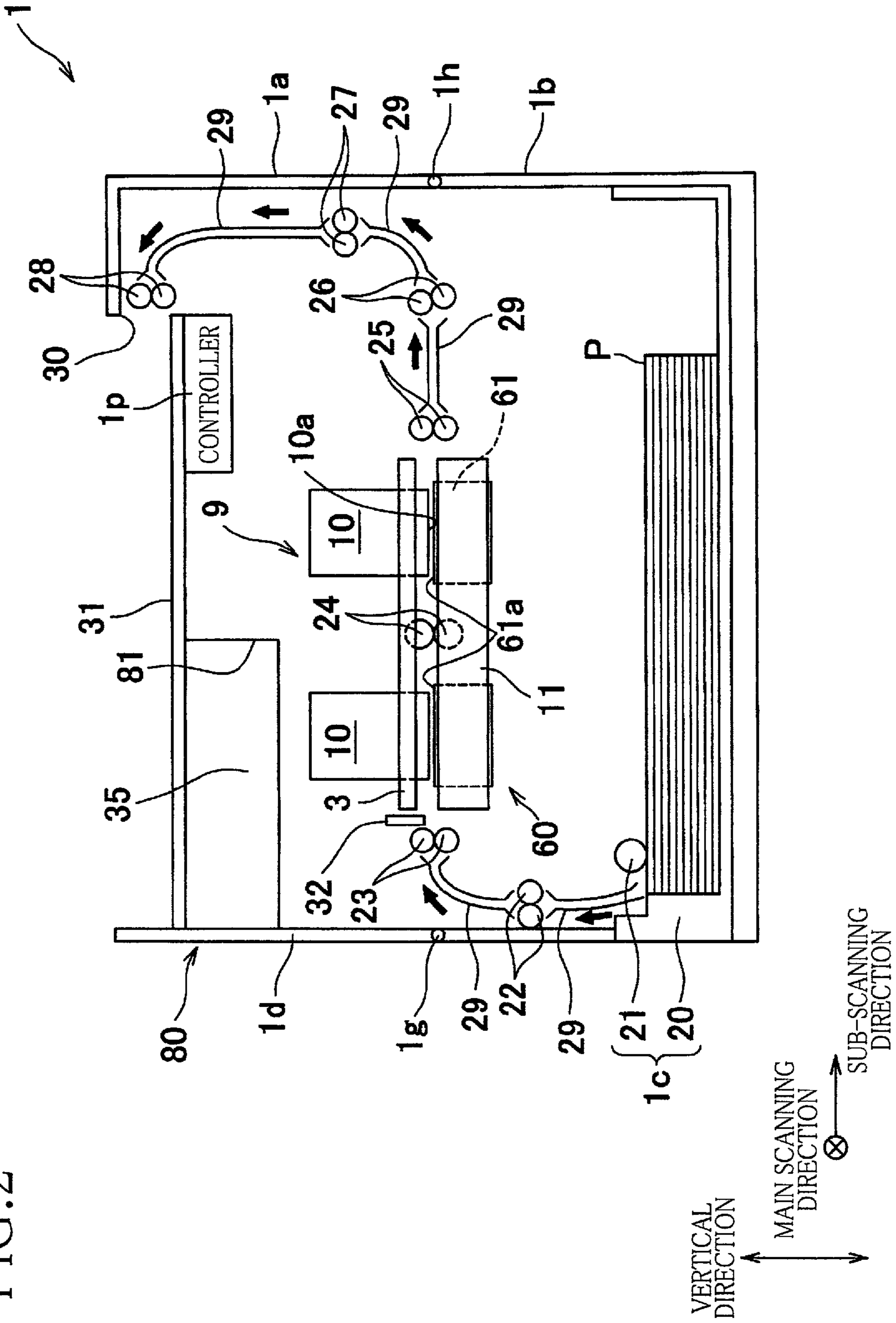


FIG.3A

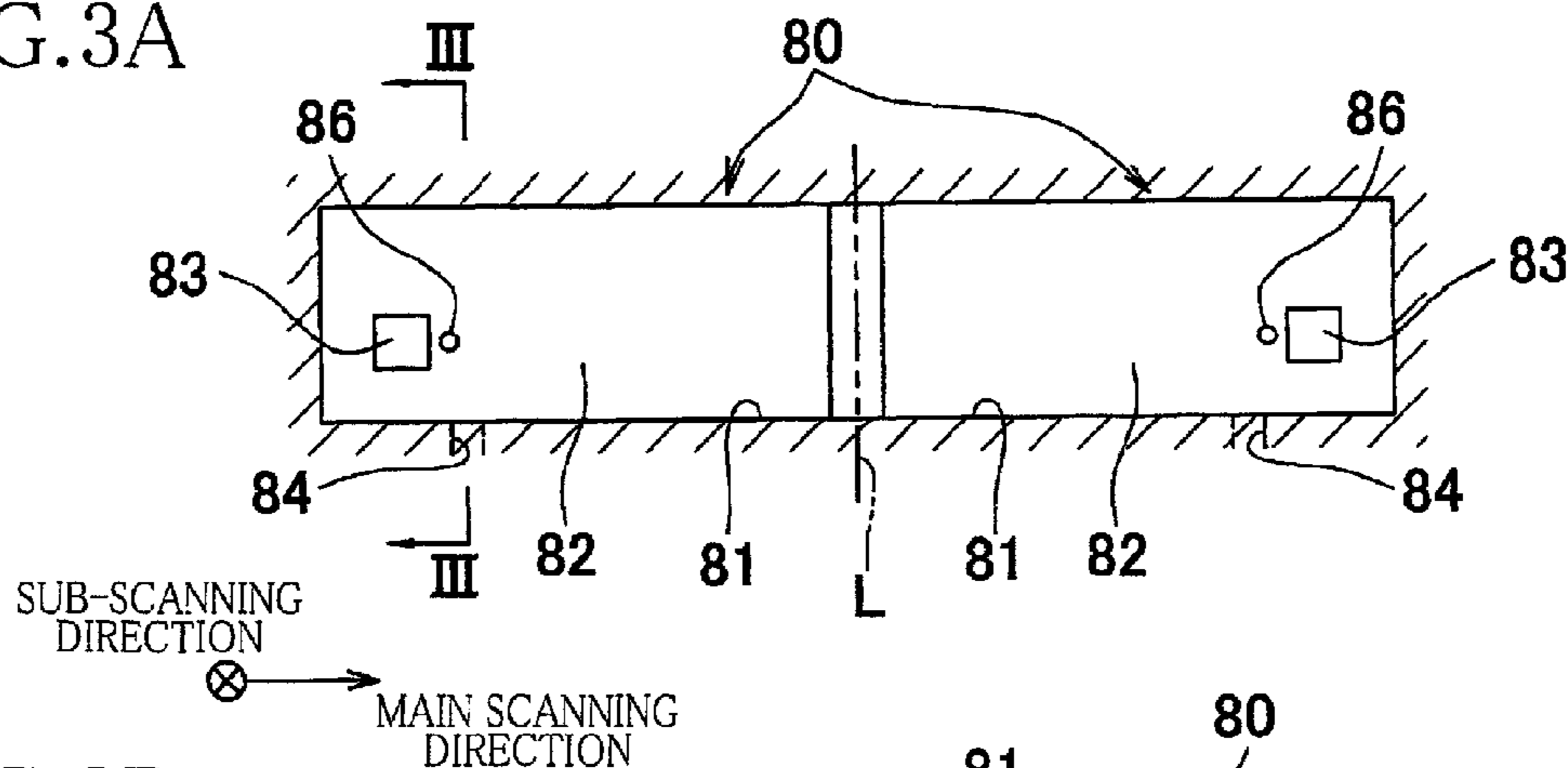


FIG.3B

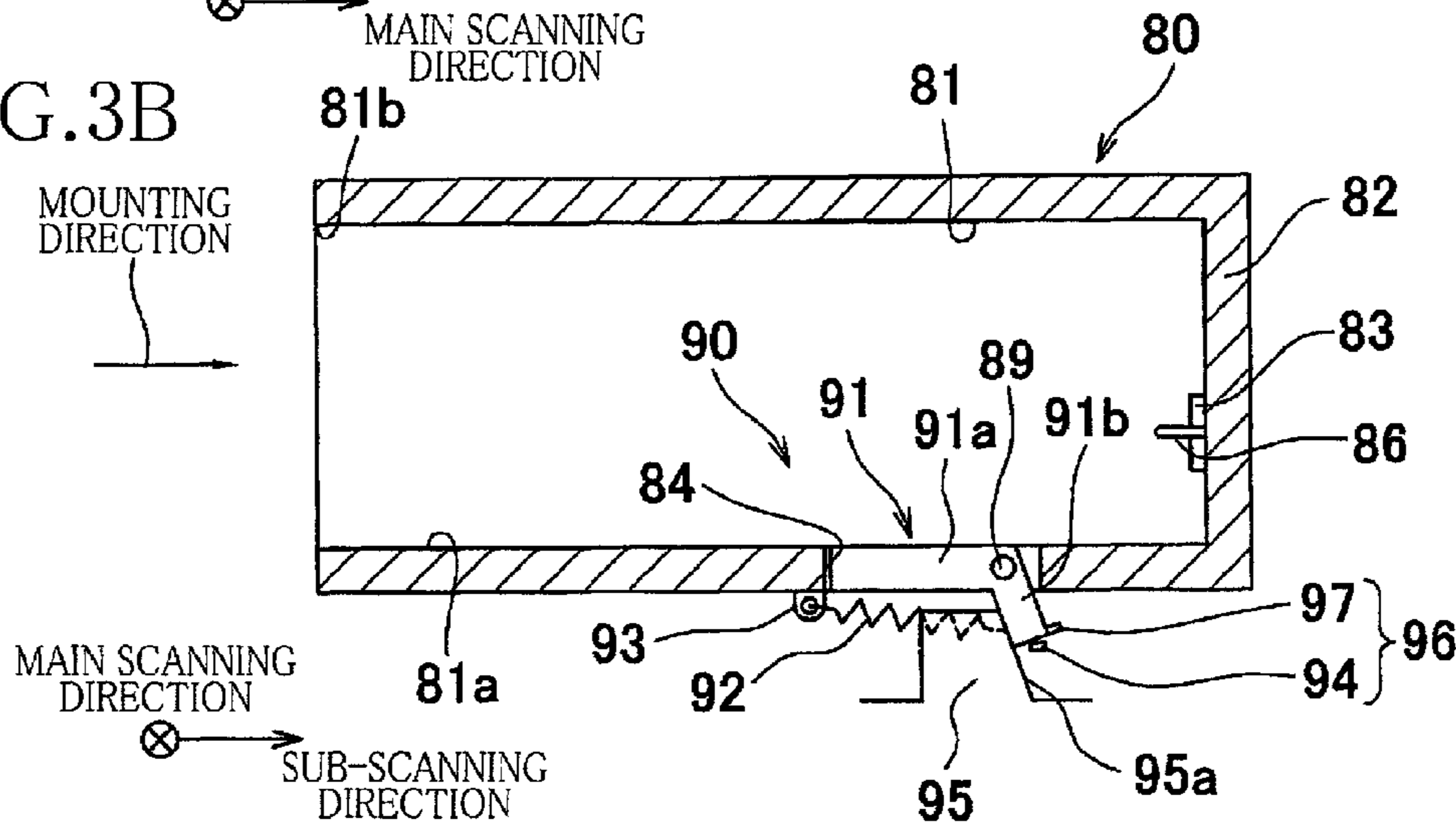


FIG.3C

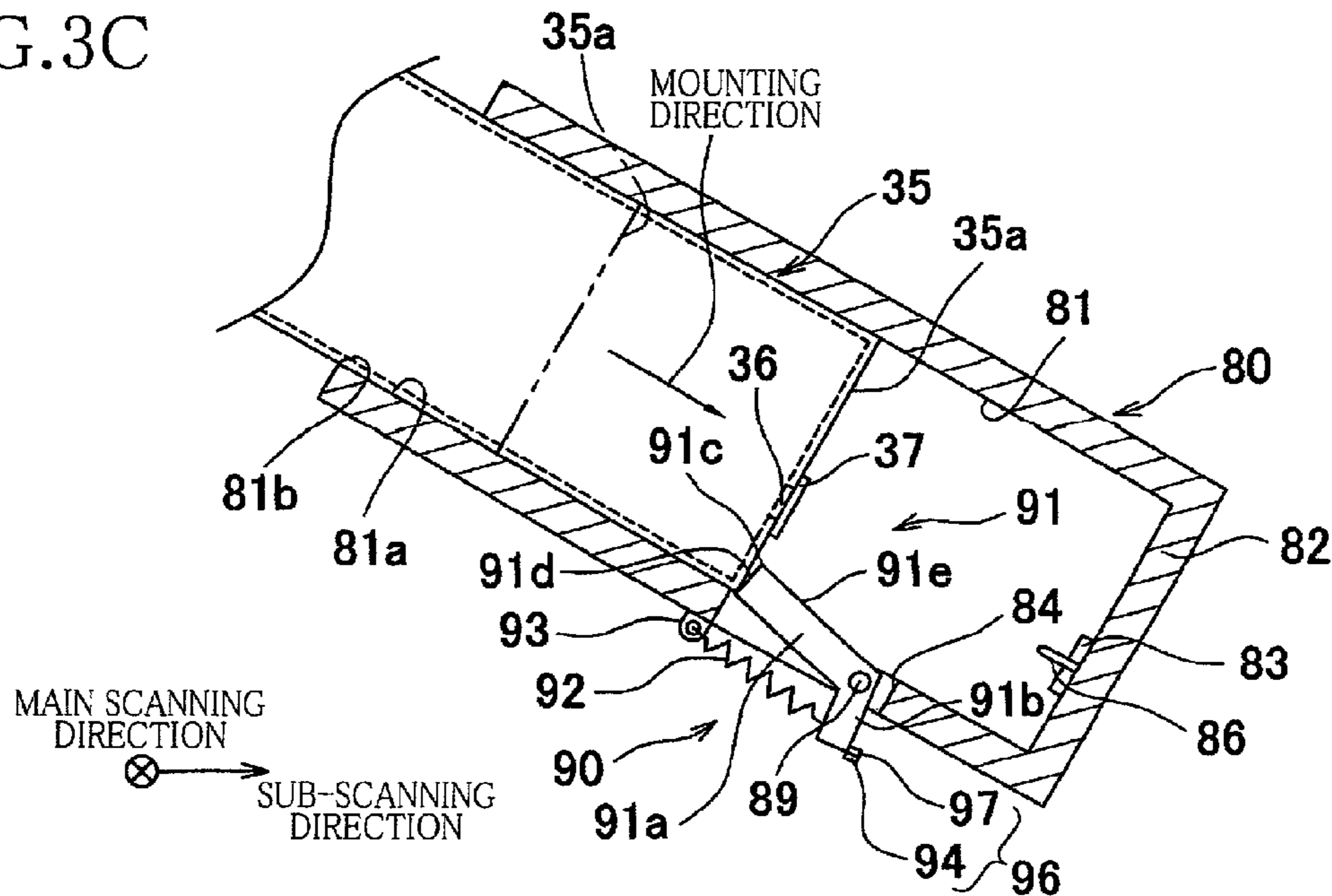


FIG. 4A

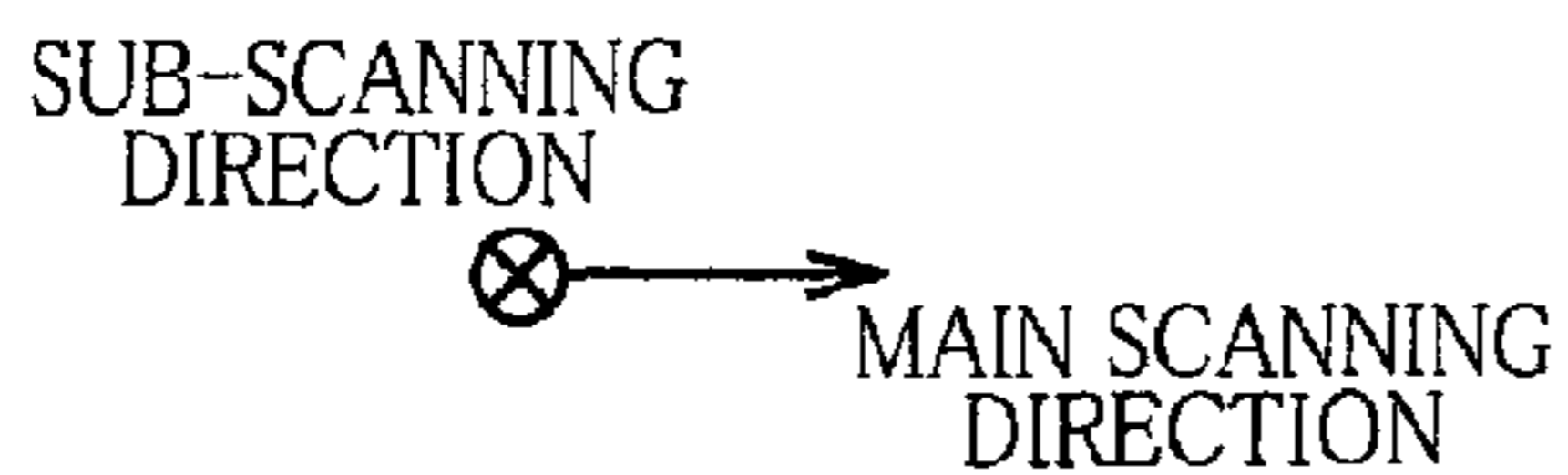
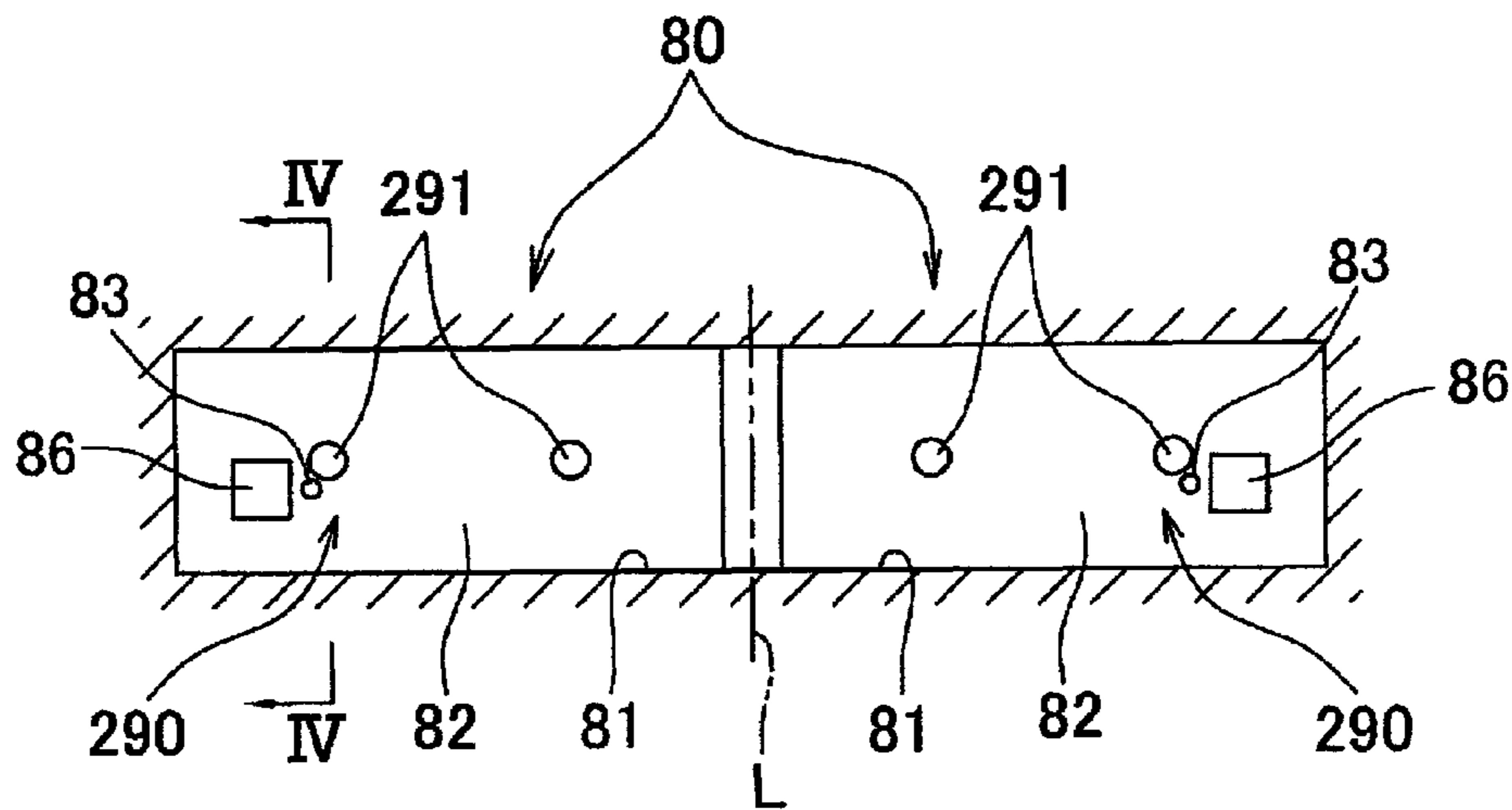
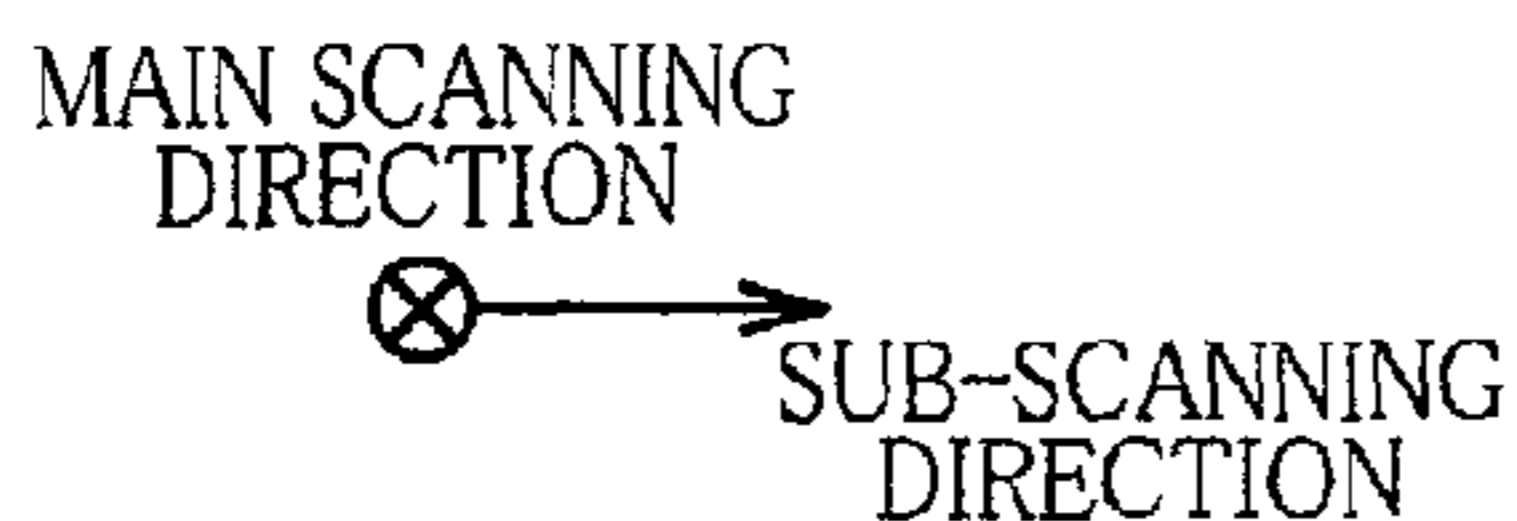
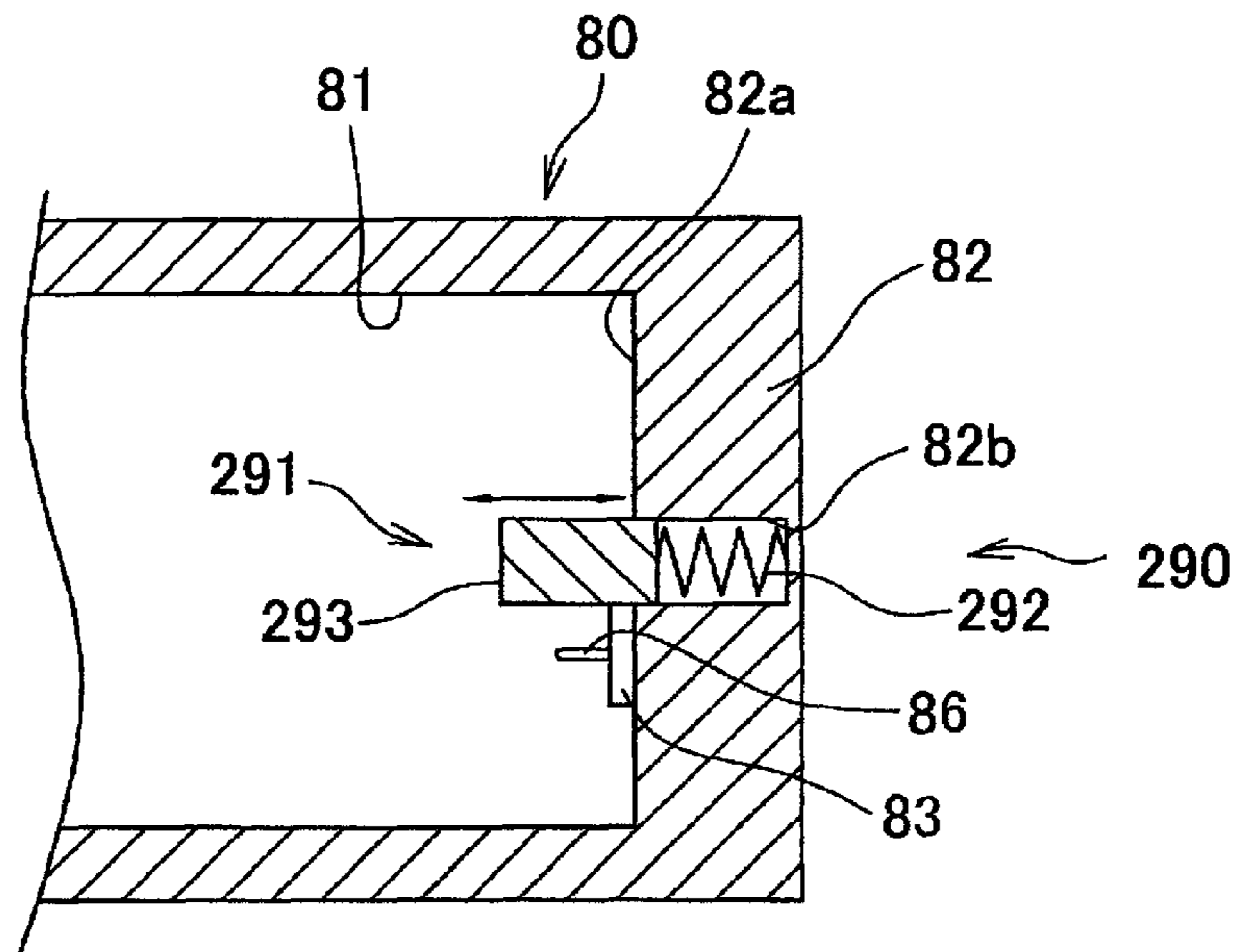


FIG. 4B



## RECORDING APPARATUS

**Matter enclosed in heavy brackets [ ] appears in the original patent but forms no part of this reissue specification; matter printed in italics indicates the additions made by reissue; a claim printed with strikethrough indicates that the claim was canceled, disclaimed, or held invalid by a prior post-patent action or proceeding.**

## CROSS REFERENCE TO RELATED APPLICATION

The present application is a continuation reissue of U.S. patent application Ser. No. 15/487,744 filed on Apr. 14, 2017, which is a reissue application of U.S. Pat. No. 9,004,676 B2, which issued from U.S. patent application Ser. No. 13,434,203 filed on Mar. 29, 2012 and which claims priority from Japanese Patent Application No. 2011-079592, which was filed on Mar. 31, 2011, the [disclosure] disclosures of which [is] are herein incorporated by reference in [its] their entirety.

## BACKGROUND OF THE INVENTION

## 1. Field of the Invention

The present invention relates to a recording apparatus which records an image on a recording medium.

## 2. Discussion of Related Art

There is known a recording apparatus that includes a tank mount portion in which a tank, which stores a recording agent for an image recording on a recording medium, is mounted. The recording apparatus includes a first housing and a second housing. The first housing is located below the second housing and has the tank mount portion. The second housing is pivotable upward relative to the first housing between a close position at which the second housing is adjacent to the first housing and a distant position at which the second housing is distant farther from the first housing than the second housing at the close position.

## SUMMARY OF THE INVENTION

In the above-described recording apparatus, however, the inventors of the present invention found that the following problem occurred in a case where the tank mount portion is disposed in the second housing. The problem occurs in a case where, when the second housing is pivoted for another purpose (such as a maintenance work) beside attaching and detaching of the tank, the tank is in the process of being mounted in the tank mount portion, i.e., the tank is located in the tank mount portion, but is not thoroughly mounted (fixed) therein. In this case, as the second housing is pivoted, the tank is moved inside the tank mount portion simultaneously with the rotation of the second housing. As a result, it is possible that the tank collides with the tank mount portion, and that the tank and the tank mount portion are damaged. Further, even in a case where the tank is mounted in the tank mount portion by a user in a state in which the second housing is positioned at the distant position, it is also predicted that the tank and the tank mount portion are damaged.

It is therefore an object of the present invention to provide a recording apparatus to restrain an impact between the tank and the tank mount portion.

In order to achieve the above-mentioned object, according to the present invention, there is provided a recording

apparatus comprising: a first housing; a second housing configured to be connected to the first housing via a shaft and pivotable about the shaft relative to the first housing between a close position at which an image is recorded on a recording medium and a distant position at which the second housing is distant farther from the first housing than at the close position; and a tank mount portion provided in the second housing such that a mounting direction of a tank with respect to the tank mount portion in a state in which the second housing is at the distant position has a downward component in a vertical direction, the tank storing a recording agent for an image recording on the recording medium. The tank mount portion includes a resistance applying mechanism configured to apply a resistance force, when the second housing is at the distant position, to the tank in a state in which at least a part of the tank is inserted into the tank mount portion. The resistance force is different from a kinetic friction force which is applied from an inner surface of the tank mount portion to the tank and which acts in a direction opposite to the mounting direction.

## BRIEF DESCRIPTION OF THE DRAWINGS

The above and optional objects, features, and advantages of the present invention will be better understood by reading the following detailed description of the embodiments of the invention when considered in conjunction with the accompanying drawings, in which:

FIG. 1 is a perspective view showing an appearance of an inkjet printer as an embodiment of a recording apparatus to which the present invention is applied;

FIG. 2 is a side view schematically showing an internal construction of the inkjet printer;

FIGS. 3A through 3C are illustrative views showing a structure of a cartridge mount portion and a resistance applying mechanism. FIG. 3A is a front view of the cartridge mount portion, FIG. 3B is a cross-sectional view taken along a line in FIG. 3A, and FIG. 3C is a cross-sectional view of an upper housing at a distant position; and

FIG. 4A and FIG. 4B are illustrative views showing a modified embodiment of a resistance applying mechanism of the inkjet printer as the embodiment of the present invention. FIG. 4A is a front view of a cartridge mount portion and FIG. 4B is a cross-sectional view taken along a line IV-IV in FIG. 4A.

## DETAILED DESCRIPTION OF THE EMBODIMENTS

Hereinafter, there will be described embodiments of the present invention with reference to the drawings.

There will be described an overall configuration of an inkjet printer 1 as an embodiment of a recording apparatus to which the present invention is applied with reference to FIG. 1 and FIG. 2.

The inkjet printer 1 includes an upper housing 1a (as an example of a second housing) and a lower housing 1b (as an example of a first housing) each of which has a rectangular parallelepiped shape and which have substantially the same size. The upper housing 1a has an opening on a lower surface thereof and the lower housing 1b has an opening on an upper surface thereof. In a state in which the upper housing 1a is superposed on the lower housing 1b such that the lower surface of the upper housing 1a and the upper surface of the lower housing 1b are sealed with each other, an internal space of the inkjet printer 1 is defined as shown in FIG. 2. In an upper portion of a top panel of the upper

3

housing 1a, a sheet-discharge portion 31 is disposed. In the space defined by the upper housing 1a and the lower housing 1b, there is formed a sheet feed path through which a recording sheet P is fed from a sheet-feed unit 1c (described later) to the sheet-discharge portion 31 along a thick arrow shown in FIG. 2.

As shown in FIG. 2, the upper housing 1a is connected to the lower housing 1b via a shaft 1h which is disposed at a side of a bottom end of the upper housing 1a and extends in a main scanning direction. The upper housing 1a is pivotable about the shaft 1h relative to the lower housing 1b. The upper housing 1a is pivotable between a close position, a position shown in FIG. 2, at which the upper housing 1a is adjacent to the lower housing 1b and a distant position, a position shown in FIG. 1, at which the upper housing 1a is positioned farther away from the lower housing 1b than at the close position. In a state in which the upper housing 1a is at the distant position, a part of the sheet feed path that is formed by the upper housing 1a at the close position and the lower housing 1b is exposed to the outside, so that a workspace is provided for a user in the sheet feed path. Since the workspace is secured by the upper housing 1a at the distant position, the user can perform a jam treatment and maintenance works in a recording portion 9 and a supporting portion 60. The jam treatment is a work in which the user removes a jammed recording sheet P in the sheet feed path during a recording operation. The maintenance works in the recording portion 9 includes a work in which the user removes a foreign matter adhered to an ejection surface 10a, a work in which the user adjusts a position in which a head 10 is disposed, a work in which the user replaces the head 10 with another, and so on. Further, the maintenance works in the supporting portion 60 includes a work in which the user removes a foreign matter adhered to a supporting surface 61a, a work in which the user adjusts a position in which the supporting portion 60 is disposed, a work in which the user replaces the supporting portion 60 with another, and so on. Furthermore, the maintenance works includes a cleaning work and a replacement work of composing elements that are accommodated in the upper housing 1a and the lower housing 1b such as a sheet-supply roller 21, guides 20, and pairs of feed rollers 22 through 28. In the shaft 1h, there is disposed a spring (not shown) which applies a force to the upper housing 1a in a direction in which the upper housing 1a is opened or moved from the close position to the distant position. In the present embodiment, the upper housing 1a can be opened up to an inclined angle of about 35 degrees with respect to a horizontal surface. The distant position of the upper housing 1a is not limited to the position shown in FIG. 1. The distant position can be a position that is different from the close position and at which the upper housing 1a is distant farther from the lower housing 1b than the upper housing 1a at the close position.

In a front side of the upper housing 1a or a surface on a left side of a sheet plane of FIG. 1, there is disposed a lock mechanism 70 which limits a pivot of the upper housing 1a at the close position. In a front side of the lower housing 1b, there is disposed a cover 1d which covers the front side of the upper housing 1a and can be opened and closed. The cover 1d is pivotable about a shaft 1g that is disposed in a lower end of the cover 1d such that the front side of the upper housing 1a is opened and closed. When the cover 1d is opened, the lock mechanism 70 and two cartridges 35 are exposed to the outside. In a case where the upper housing 1a is pivoted from the close position to the distant position, the user first opens the cover 1d and releases a limitation by the lock mechanism 70. The upper housing 1a is then pivoted

4

from the close position to the distant position. On the other hand, in a case where the upper housing 1a is returned from the distant position to the close position, after the upper housing 1a is returned from the distant position to the close position by the user, the pivot of the upper housing 1a is limited by the lock mechanism 70, and then the cover 1d is closed.

In the upper housing 1a, there are accommodated two heads 10 (a pre-coat head 10 which ejects a pretreatment liquid and an inkjet head 10 which ejects a black ink, in an order from an upstream side in a sheet feed direction shown in the thick arrow in FIG. 2), a frame 3 which supports the two heads 10 and an upper one of a pair of feed rollers 24, the two cartridges 35 which are respectively mounted in two cartridge mount portions 80 (as an example of a tank mount portion), and a controller 1p (shown in FIG. 2) which controls operations of respective portions of the printer 1. In the present embodiment, the two heads 10 and the frame 3 constitute the recording portion 9 which records an image on the recording sheet P. The two heads 10 are held by the upper housing 1a through the frame 3.

In the upper housing 1a, there are also accommodated upper rollers 25, 26 of two pairs of feed rollers 25, 26, an upper guide 29 of two guides 29 that are disposed between the feed rollers 25, 26, two pairs of feed rollers 27, 28, and two pairs of guides 29 that are disposed between the two pairs of feed rollers 26, 28 in the sheet feed direction. In other words, when the upper housing 1a is pivoted from the close position to the distant position, the above-described accommodated components are all moved with the upper housing 1a. In FIG. 2, an illustration of some components that are accommodated in the upper housing 1a is omitted.

The lower housing 1b accommodates or retains the supporting portion 60 and the sheet-feed unit 1c. The lower housing 1b also accommodates a sheet sensor 32, two pairs of feed rollers 22, 23, and two pairs of guides 29 that are disposed between the sheet-feed unit 1c and the pair of feed rollers 23 in the sheet feed direction.

Each cartridge 35 (as an example of a tank) stores the pretreatment liquid or the black ink as a recording agent that is supplied to a corresponding head 10. Hereinafter, the pretreatment liquid and the black ink are generally referred to as a liquid. The pretreatment liquid is a liquid for preventing an ink bleeding (leaking) and exuding, for improving a chromogenic effect and a fast-dry effect, and so forth.

The cartridge 35 has a rectangular parallelepiped configuration. As shown in FIG. 3C, in a front surface 35a of the cartridge 35 as a surface of the cartridge 35 on a downstream portion in a mounting direction of the cartridge 35 relative to the cartridge mount portion 80, there are disposed a liquid supply portion 36 and a contact 37. The liquid supply portion 36 and the contact 37 are arranged side by side in the main scanning direction. The liquid supply portion 36 consists of an elastic member such as rubber that seals an opening formed in the front surface 35a of the cartridge 35. When the cartridge 35 is mounted in the cartridge mount portion 80, a hollow needle 86 (described later) penetrates through the liquid supply portion 36, i.e., the elastic member, and the cartridge 35 is connected to the corresponding head 10 through a tube (not shown) and a pump (not shown) that are connected to the hollow needle 86. Thus, the liquid stored in the cartridge 35 is supplied to the head 10. In addition, each pump is driven by the controller 1p only in a case where the liquid is forcibly supplied to the corresponding head, i.e., in a case where a purging operation is performed or an initial induction of the liquid is performed. Because a negative



5

pressure occurs in a channel in the head **10** during an image recording, the liquid in the cartridge **35** is automatically supplied to the head **10**. In the present embodiment, the contact **37** of the cartridge **35** is a contact of IC chip type in which liquid data, e.g., a sort and an amount of the liquid, and so on are stored. The contact **37** may be a contact which supplies electricity to a sensor or the like that is disposed in the cartridge **35**.

Each head **10** is a line-type head extending in the main scanning direction and having a generally rectangular parallelepiped configuration. Two heads **10** are distanced from each other in a sub-scanning direction and supported by the frame **3**. Each head **10** is supported by the frame **3** so as to be opposed to the supporting portion **60** at an interval suitable for the recording in the state in which the upper housing **1a** is at the close position. In an upper surface of each head **10**, there is disposed a joint to which the tube connected to the hollow needle **86** is attached. A lower surface of each head **10** is an ejection surface **10a** in which a plurality of nozzles or ejection openings are formed. Further, there is formed a channel in each head **10** through which the liquid supplied from the cartridge **35** is sent to the nozzles.

The sheet-supply unit **1c** includes a sheet-supply tray **20** and the sheet-supply roller **21**. The sheet-supply tray **20** is detachably attached to the lower housing **1b** in the sub-scanning direction. The sheet-supply tray **20** is a box-like member opening upward and can accommodate the recording sheets **P** with a plurality of sizes. The sheet-supply roller **21** is rotated by controlling of the controller **1p** so as to supply an uppermost one of the recording sheets **P** stored in the sheet-supply tray **20**. The recording sheet **P** supplied by the sheet-supply roller **21** is fed to the supporting portion **60**, guided by the guides **29** and nipped by the feed rollers **22**, **23**, in order.

The supporting portion **60** is located to be opposed to the recording portion **9** in a vertical direction. The supporting portion **60** includes two platens **61** which are respectively opposed to the corresponding heads **10**, and a frame **11** which supports the platens **61**. The frame **11** rotatably supports a lower one of the pair of the feed rollers **24**.

Each platen **61** has a size that is slightly larger than that of the ejection surface **10a** of each head **10** in the main scanning direction and in the sub-scanning direction and is opposed to the ejection surface **10a** in the vertical direction.

An upper surface of the platen **61** is the supporting surface **61a** which is opposed to the ejection surface **10a** and supports the recording sheet **P**. A material and working (processing) are devised so as to be suitable for supporting of the recording sheet **P**. For example, such a way that a lightly-adhesive silicon layer is formed on the supporting surface **61a** or that a multiplicity of ribs in the sub-scanning direction are formed on the supporting surface **61a** prevents the recording sheet **P** placed on the supporting surface **61a** from rising from the supporting surface **61a**. The platen **61** is formed of a resin.

In the present embodiment, when the controller **1p** receives a command for the recording from an external device, based on the recording command, the controller **1p** drives a sheet-supply motor (not shown) for the sheet-supply roller **21**, feed motors (not shown) for the respective pairs of feed rollers **22** through **28**, and so on. The recording sheet **P** supplied from the sheet-supply tray **20** is fed to the supporting portion **60** through the guides **29**. The recording sheet **P** sent to the supporting portion **60** is conveyed, supported by the supporting surface **61a** and nipped by the pairs of feed rollers **23**, **24**, **25** that are rotated. When the recording sheet

6

**P** passes right below the two heads **10** in order, each head **10** is driven by the control of the controller **1p** to eject the liquid through the nozzles of each ejection surface **10a** toward a surface of the recording sheet **P**, so that an image is formed on the recording sheet **P**. An ink ejection from the nozzles of each head **10** is performed based on a detection signal from the sheet sensor **32** under the control of the controller **1p**. The recording sheet **P** is then fed upward, guided by the guides **29** and nipped by the pairs of feed rollers **26**, **27**, **28**, and discharged to the sheet-discharge portion **31** through an opening **30** that is formed in an upper portion of the upper housing **1a**.

During the recording operation, the controller **1p** can detect whether a jamming (a jamming of the recording sheet **P** in the sheet feed path) occurs. More precisely, the jamming is detected by the controller **1p**, based on signals from the sheet sensor **32** and/or respective drive motors of the pair of feed motors **22** through **28**. In a case where the jamming occurs during the recording operation, the controller **1p** controls the heads **10** and the respective motors such that the recording operation is stopped (suspended). Then, in order to perform the jam treatment, i.e., a work in which the jamming of the recording sheet **P** in the sheet feed path is cleared, the user opens the cover **1d** and, after the limitation by the lock mechanism **70** is released, pivots the upper housing **1a** from the close position to the distant position. After the jammed recording sheet **P** is removed by the user in the workspace formed between the upper and the lower housings **1a**, **1b**, the upper housing **1a** is returned to the close position. Then, the pivot of the upper housing **1a** is limited by the lock mechanism **70** and the cover **1d** is closed. The jam treatment is thus finished. After the jam treatment is finished, the recording operation starts when the controller **1p** again receives the recording command from the external device.

Hereinafter, the cartridge mount portion **80** will be described with reference to FIGS. **1** through **3**.

As shown in FIG. **1** and FIG. **2**, the two cartridge mount portions **80** are disposed in the upper portion of the upper housing **1a**. As shown in FIG. **1** and FIG. **3A**, the two cartridge mount portions **80** are arranged side by side in the main scanning direction. As shown in FIG. **3A**, the two cartridge mount portions **80** are formed symmetrically with respect to a line **L** (indicated by a two-dot chain line in FIG. **3A**) which passes on just a middle of the two cartridge mount portions **80** in the main scanning direction and extends in the vertical direction. In the present embodiment, because the two cartridge mount portions **80** have the same structure, one of the two cartridge portions **80** will be described as follows.

As shown in FIGS. **3A** through **3C**, the cartridge mount portion **80** has a recessed portion **81** to which the cartridge **35** having a generally rectangular parallelepiped shape is attachable. An opening **81b** of the recessed portion **81** is an insertion opening in which the cartridge **35** is inserted and is formed in the front surface of the upper housing **1a**. The recessed portion **81** extends from the opening **81b** toward the downstream portion in the mounting direction of the cartridge **35** in the cartridge mount portion **80**. Accordingly, the mounting direction of the cartridge **35** in the cartridge mount portion **80** is a horizontal direction in the state in which the upper housing **1a** is at the close position, as shown in FIG. **3B**, and is a direction having a downward component in the vertical direction in the state in which the upper housing **1a** is at the distant position, as shown in FIG. **3C**. There are disposed a contact **83** and the hollow needle **86** in a bottom portion **82** as a downstream surface of the recessed

portion **81** in the mounting direction of the cartridge **35** in the cartridge mount portion **80**. The contact **83** and the hollow needle **86** are arranged side by side in the main scanning direction. When the cartridge **35** is thoroughly mounted in the recessed portion **81**, the contact **83** is electrically connected to the contact **37** (shown in FIG. 3C). In the present embodiment, a state in which the cartridge **35** is thoroughly mounted in the recessed portion **81** is a state in which the cartridge **35** is positioned at a position where the cartridge **35** is arranged when the hollow needle **86** penetrates through the liquid supply portion **36**. The contact **83** in the present embodiment consists of an IC board. As a modified embodiment, the contact **83** may be a contact which is electrically connected to a contact which supplies electric power to a sensor and so on that are disposed in the cartridge **35**. The hollow needle **86** protrudes from the bottom portion **82** along the mounting direction of the cartridge **35**. The hollow needle **86** is connected to the tube (not shown) that is connected to the head **10**. When the hollow needle **86** penetrates through the liquid supply portion **36**, the cartridge **35** is connected to the corresponding head **10** that is opposed to the cartridge **35**.

As shown in FIG. 3, there is formed a penetrating portion **84** at a position adjacent to the contact **83** and the hollow needle **86**. The penetrating portion **84** is disposed at a lower inner surface **81a** of the recessed portion **81**. There is disposed a resistance applying mechanism **90** in the penetrating portion **84** of the cartridge mount portion **80**. The resistance applying mechanism **90** includes a pivot member **91** (as an example of a moving body), an engaging portion **95** and a spring **92**. The penetrating portion **84** is located at a position that is aligned with the hollow needle **86** in the mounting direction of the cartridge **35** in the cartridge mount portion **80**. In other words, the resistance applying mechanism **90** is located at the position that is aligned with the hollow needle **86** in the mounting direction of the cartridge **35** in the cartridge mount portion **80**.

As a modified embodiment, the penetrating portion **84** may be disposed at a left, a right or an upper inner surface of the recessed portion **81** other than the lower inner surface **81a** of the recessed portion **81**, and the resistance applying mechanism **90** may be disposed therein.

The pivot member **91** is pivotably supported by a shaft **89** which is disposed in the penetrating portion **84** and extends in the main scanning direction. The penetrating portion **84** is located on an upstream portion of the contact **82** and an end of the hollow needle **86** in the inner surface **81a** in the mounting direction. In other words, the pivot member **91** is located so as to apply the resistance to the cartridge **35** on the upstream portion of the contact **83** and the end of the hollow needle **86** in the mounting direction. As shown in FIG. 3B, the pivot member **91** includes a horizontal portion **91a** which extends horizontally in the sub-scanning direction in the state in which the upper housing **1a** is at the close position and an inclining portion **91b** which extends obliquely downward from one of opposite ends of the horizontal portion **91a**, and has a L-shaped configuration. An upper surface of the horizontal portion **91a** constitutes a part of the lower inner surface **81a** of the recessed portion **81** in the state in which the upper housing **1a** is at the close position.

One of opposite ends of the coil spring **92** (as an example of a force applying portion) is fixed to a lower end portion of the inclining portion **91b**, i.e., one of opposite end portions thereof that is farther away from the shaft **89**. The other end of the spring **92** is fixed to a flange **93** that is formed in a lower surface of the cartridge mount portion **80**. Accordingly, the pivot member **91** is applied a force by the

spring **92** in a clockwise direction in FIG. 3B. In the present embodiment, the coil spring **92** is adopted as the force applying portion, but any elastic member can be adopted as long as the elastic member can apply a force to the pivot member **91** in the clockwise direction in FIG. 3B. The spring **92** is also supported by the upper housing **1a**.

In the lower end portion of the inclining portion **91b**, there is formed a projecting portion **97**. In the upper housing **1a**, a stopper **94** is formed in the vicinity of the inclining portion **91b**. The projecting portion **97** and the stopper **94** constitute a limiting portion **96** which limits a range of pivot of the pivot member **91**. When the upper housing **1a** is pivoted to the distant position, even though the pivot member **91** is pivoted by the force of the spring **92**, the projecting portion **97** contacts the stopper **94** in such a way against the force of the spring **92**. The contact between the projecting portion **97** and the stopper **94** limits the pivot range of the pivot member **91** such that the horizontal portion **91a** stays (maintains) at a projecting position (described later). Thus, the pivot member **91** is prevented from pivoting too much by the spring **92** and is positioned at the projecting position, so that, in the cartridge mount portion **80**, the cartridge **35** can be certainly stopped from moving in the mounting direction in the state in which the upper housing **1a** is at the distant position.

As shown in FIG. 1, the two engaging portions **95** are respectively formed on respective upper ends of two frames **1e** that are components of the lower housing **1b**. As shown in FIG. 3B, each engaging portion **95** is formed so as to be opposed to the corresponding penetrating portion **84** in the state in which the upper housing **1a** is at the close position. The engaging portion **95** also includes an inclined surface **95a** which is engageable with the inclined portion **91b** in the state in which the upper housing **1a** is at the close position. Further, since the engaging portion **95** is engaged with the inclined portion **91b** when the upper housing **1a** is pivoted from the distant position to the close position, the pivot member **91** is pivoted in a counterclockwise direction in FIG. 3B.

Hereinafter, the movement of the resistance applying mechanism **90** will be described. The resistance applying mechanism **90** operates simultaneously with the pivot of the upper housing **1a**. In other words, in the state in which the upper housing **1a** is at the close position, the pivot member **91** of the resistance applying mechanism **90** is applied the force by the spring **92**, but the pivot of the pivot member **91** is limited because the inclining portion **91b** and the engaging portion **95** are engaged with each other. Therefore, the pivot member **91** is positioned at a retracted position in which the other end of the horizontal portion **91a** does not project to the recessed portion **81**, i.e., does not project from the lower inner surface **81a**.

As shown in FIG. 3C, while the upper housing **1a** is pivoted from the close position to the distant position, the pivot member **91** supported by the upper housing **1a** is distanced away from the engaging portion **95** and the engagement between the engaging portion **95** and the inclining portion **91b** is released. Accordingly, the pivot member **91** is pivoted by the force of the spring **92** and the horizontal portion **91a** of the pivot member **91** is positioned at the projecting position where the horizontal portion **91a** projects from the lower inner surface **81a**. At this time, the projecting portion **97** contacts the stopper **94**, so that the horizontal portion **91a** is positioned at the projecting position with certainty. Further, in the state in which the pivot member **91** is at the projecting position, an inclined surface **91d** which is inclined from a top end portion **91c** of the horizontal portion **91a** toward the upstream portion thereof in the

mounting direction is greater in angle with respect to the lower inner surface **81a** than an inclined surface **91e** which is inclined from the top end portion **91c** of the horizontal portion **91a** toward a downstream portion thereof in the mounting direction. Thus, in the state in which the upper housing **1a** is at the distant position, the movement of the cartridge **35** in the mounting direction can be stopped more certainly. In addition, when the cartridge **35** is removed from the cartridge mount portion **80**, a surface of the cartridge **35** which is opposed to the inner surface **81a** is hardly caught (hooked) on the inclined surface **91e**, so that the resistance force occurring when the cartridge **35** is removed is reduced.

When the upper housing **1a** is pivoted from the distant position to the close position, a bottom end of the inclining portion **91b** first contacts the inclined surface **95a** of the engaging portion **95**. Then, as the upper housing **1a** approaches the close position, the inclining portion **91b** is pressed by the inclined surface **95a**. When the upper housing **1a** reaches the close position, the pivot member **91** is positioned at the retracted position due to the engagement with the engaging portion **95**. The engaging portion **95** is engaged with the inclining portion **91b** against the force of the spring **92** such that the pivot member **91** moves from the projecting position to the retracted position. Thus, the pivot member **91** can be selectively positioned at the projecting position or at the retracted position corresponding to the pivot of the upper housing **1a**.

As mentioned above, in the present embodiment, only when the upper housing **1a** is at the close position, the pivot member **91** is positioned at the retracted position. At this time, even when the cartridge **35** is mounted in the cartridge mount portion **80**, the cartridge **35** can be mounted in the cartridge mount portion **80** without being caught on the pivot member **91**. Further, in the state in which the upper housing **1a** is at the close position, the mounting direction of the cartridge **35** in the cartridge mount portion **80** is in parallel with the horizontal direction or the sub-scanning direction. Thus, the cartridge **35** can be mounted in the cartridge mount portion **80** with a given mounting force by the user. Accordingly, without a high-impact between the contacts **37**, **83** and between the liquid supply portion **36** and the hollow needle **86**, and without a damage of the cartridge **35** and the cartridge mount portion **80**, the cartridge **35** can be mounted in the cartridge mount portion **80**.

When the upper housing **1a** is pivoted from the close position to the distant position in a state in which a front end of the cartridge **35** in the mounting direction or a downstream end of the cartridge **35** in the mounting direction is inserted into the recessed portion **81** of the cartridge mount portion **80**, the cartridge **35** operates simultaneously with the pivot of the upper housing **1a** and is moved obliquely downward, i.e., in the direction including the downward component in the vertical direction relative to the cartridge mount portion **80**. Further, when the cartridge **35** is inserted into the recessed portion **81** of the cartridge mount portion **80** in a state in which the upper housing **1a** is at the distant position, as shown in FIG. 3C, the mounting direction of the cartridge **35** relative to the cartridge mount portion **80** extends obliquely downward, i.e., in the direction including the downward component in the vertical direction.

At this time, in the state in which the upper housing **1a** is at the distant position, the pivot member **91** is positioned at the projecting position. Therefore, even when the cartridge **35** quickly and actively moves from a position indicated by a two-dot chain line in FIG. 3C in the mounting direction, the movement of the cartridge **35** is stopped by the pivot member **91**. In other words, before the cartridge **35** is

thoroughly mounted in the cartridge mount portion **80**, an end of the pivot member **91** at the projecting position and the cartridge **35** are in contact with each other, and the resistance for stopping of the movement of the cartridge **35** is applied by the pivot member **91**. The resistance force is a force different from the kinetic friction force that occurs due to the contact between the cartridge **35** and the left and the right inner surfaces and the upper and the lower inner surfaces of the recessed portion **81** and a force which acts in an opposite direction to the mounting direction. An impact power due to the contact with the cartridge **35** and the pivot member **91** is smaller than an impact power due to the contact with the cartridge **35** and the cartridge mount portion **80** when the cartridge **35** is moved to a position in which the cartridge **35** is completely mounted in the cartridge mount portion **80**. Thus, the cartridge **35** and the pivot member **91** are free of damage by the contact with them. Since the movement of the cartridge **35** is stopped by the pivot member **91**, without having a high-impact on the contacts **37**, **83** and the liquid supply portion **36** and the hollow needle **86**, the cartridge **35** and the cartridge mount portion **80** are prevented from being damaged.

As described above, in the printer **1** in the present embodiment, even in a case where the upper housing **1a** is pivoted from the close position to the distant position in a state in which the cartridge **35** is in the process of being mounted in the cartridge mount portion **80**, or even in a case where the cartridge **35** is mounted in the cartridge mount portion **80** in a state in which the upper housing **1a** is at the distant position, the resistance is applied to the cartridge **35** by the pivot member **91**, in addition to the kinetic friction force between the cartridge **35** and the inner surface **81a**. Thus, the impact between the cartridge mount portion **80** and the cartridge **35** can be restrained. Accordingly, the cartridge mount portion **80** and the cartridge **35** are less subject to the damage.

By the pivot of the upper housing **1a** from the close position to the distant position, as mentioned before, the user obtains the workspace. When the upper housing **1a** is at the distant position and the workspace for the user is secured, the user can perform the jam treatment and the maintenance works in the recording portion **9** and the supporting portion **60**. In other words, the upper housing **1a** is pivoted from the close position to the distant position in order that the user performs the jam treatment and the maintenance works in the recording portion **9** and the supporting portion **60**, and the upper housing **1a** is not pivoted in order that the cartridge **35** is inserted into or extracted from the upper housing **1a**. The upper housing **1a** is pivoted for the purpose different from the insertion and extraction of the cartridge **35**. Therefore, there can be a case where the upper housing **1a** is pivoted from the close position to the distant position in a state in which the cartridge **35** is in the process of the mounting in the cartridge mount portion **80**, or a case where the cartridge **35** is mounted in the cartridge mount portion **80** in a state in which the upper housing **1a** is at the distant position. In the present embodiment, the impact between the cartridge mount portion **80** and the cartridge **35** can be restrained, so that the cartridge mount portion **80** and the cartridge **35** are restrained from being damaged.

The pivot member **91** is located on the upstream portion of the contact **83** and the end of the hollow needle **86** in the inner surface **81a** in the mounting direction. In other words, the resistance can be applied to the cartridge **35** on the upstream portion of the contact **83** and the end of the hollow

## 11

needle **86** in the mounting direction. Accordingly, the contact **83** and the hollow needle **86** can be restrained from being damaged.

In the present embodiment, the contact **83** and the contact **37** of the cartridge **35** are electrically connected to each other. In a case where the contacts **83**, **37** that are electrically connected are deformed, there is the possibility that the contacts **83**, **37** cannot be electrically connected to each other. However, since the impact between the cartridge **35** and the cartridge mount portion **80** is reduced due to the resistance applying mechanism **90**, the contacts **37**, **83** are restrained from being deformed, so that the damage of the cartridge **35** and the cartridge mount portion **80** can be restrained.

Further, if the pivot member is located at a position more distanced from the contact **83** and the hollow needle **86** than a center of the recessed portion **81** in the main scanning direction, when the cartridge **35** is mounted in the recessed portion **81** in the state in which the upper housing **1a** is at the distant position, there is the possibility that the cartridge **35** is rotated about a contact point of the cartridge **35** and the pivot member as a center of the rotation and the cartridge **35** contacts the contact **83** and the hollow needle **86**. In the present invention, however, the pivot member **91** is located to be adjacent to the contact **83** and the hollow needle **86** in the main scanning direction. Therefore, the damage of the contact **83** and the hollow needle **86** can be more certainly restrained.

Because the resistance applying mechanism **90** includes the pivot member **91** which is pivotable between the retracted position and the projecting position, the cartridge **35** can be stopped from moving in the mounting direction. Further, the pivot member **91** is at the retracted position when the upper housing **1a** is at the close position, so that, when the upper housing **1a** is at the close position, the cartridge **35** can be easily mounted in the cartridge mount portion **80**.

Because the resistance applying mechanism **90** also includes the spring **92** which applies the force to the pivot member **91** and the engaging portion **95** which is engaged with the pivot member **91**, simultaneously with the pivot of the upper housing **1a**, the pivot member **91** can be surely moved between the projecting position and the retracted position.

Since the upper housing **1a** supports the recording portion **9** and the lower housing **1b** supports the supporting portion **60**, when the upper housing **1a** is pivoted from the close position to the distant position, the user can perform the maintenance work in which the jammed recording sheet **P** is removed between the recording portion **9** and the supporting portion **60**, the maintenance work in the recording portion **9**, and the maintenance work in the supporting portion **60**.

As a modified embodiment, a resistance applying mechanism **290** as shown in FIGS. **4A** and **4B** may be adopted. As shown in FIG. **4A**, each of the two resistance applying mechanisms **290** in the modified embodiment is disposed in the bottom portion **82** of the recessed portion **81** of each cartridge mount portion **80**. Each resistance applying mechanism **290** includes two elastic bodies **291** that are arranged side by side in the main scanning direction.

The elastic body **291** includes a spring **292** which is located in a circular hole **82b** that is formed in the bottom portion **82**, and a cylindrical portion **293** which is fixed to the spring **292**. A diameter of the cylindrical portion **293** is slightly smaller than that of the hole **82b**. The cylindrical portion **293** is applied a force by the spring **292** such that, when no cartridge **35** is mounted in the cartridge mount

## 12

portion **80**, the cylindrical portion **293** is positioned at a projecting position, a position shown in FIG. **4B**, at which a part of the cylindrical portion **293** is projected from the hole **82b**. In a state in which the cylindrical portion **293** is at the projecting position, an end of the cylindrical portion **293** is located on an upstream portion of the end of the hollow needle **86** in the mounting direction.

In this structure, in the state in which the upper housing **1a** is at the distant position, when the cartridge **35** is quickly and actively moved in the recessed portion **81** of the cartridge mount portion **80** in the mounting direction, the front surface **35a** of the cartridge **35** contacts an end of the elastic body **291**. At the time, the impact of the cartridge **35** in the mounting direction is absorbed by the spring **292**. In other words, by the elastic body **291**, the impact force is reduced and the resistance that stops the movement of the cartridge **35** is applied. As a result, it is prevented that a high impact is applied to the contacts **37**, **83** and the liquid supply portion **36** and the hollow needle **86**, so that the damage of the cartridge **35** and the cartridge mount portion **80** can be prevented. Then, the user pushes the cartridge **35** into the cartridge mount portion **80** with a force larger than the force by the spring **292** such that the cartridge **35** can be mounted in the cartridge mount portion **80**. In the modified embodiment, in a state in which the upper housing **1a** is at either one of the distant position or the close position, the impact between the cartridge mount portion **80** and cartridge **35** can be restrained and the cartridge **35** can be mounted in the cartridge mount portion **80**. Further, in the modified embodiment, the two elastic bodies **291** constitute the resistance applying mechanism **290**, so that a structure of the resistance applying mechanism **290** is simplified. The resistance applying mechanism **290** in the modified embodiment may consist of one elastic body **291**. In this case, it is desirable that the elastic body **291** is located in a position adjacent to the contact **83** and the hollow needle **86**.

The preferred embodiments of the present invention were described above, however, the present invention is not limited to the illustrated embodiments. It is to be understood that the present invention may be embodied with various changes and modifications that may occur to a person skilled in the art, without departing from the spirit and scope of the invention defined in the appended claims. For example, the printer **1** in the above-mentioned embodiments includes the cartridges **35**, but the recording apparatus to which the present invention is applied may include no cartridges **35**. In other word, the recording apparatus may include the cartridge mount portion **80** in which the cartridge **35** can be mounted. Three or more cartridge mount portions **80** may be disposed in the main scanning direction or a plurality of the cartridge mount portions **80** may be aligned with each other in the vertical direction. Further, though the cartridge includes a reservoir portion which stores the pretreatment liquid and the ink as a recording agent that are supplied to the heads **10** in order to record an image on the recording sheet, the cartridge may also include waste liquid reservoir portion which stores a waste liquid that is discharged from the heads **10**.

The contact **37** of the cartridge **35** may not be a contact that is electrically connected to the contact **83**. The contact **37** is enough to have a structure to contact the contact **83**. The contact **83** may not be a contact that is electrically connected to the contact **37** of the cartridge **35**. For example, the contact **83** may be a mechanical switch which outputs a detection signal when the contact **83** is pressed due to the contact thereof with the contact **37** of the cartridge **35**.

13

The present invention is applicable to any one of a line-type printer and a serial-type printer. Further, the present invention is, not limited to a printer, applicable to a facsimile machine, a copier machine, and so forth, and also applicable to a recording apparatus which performs a recording operation by ejecting liquid except ink. The present invention is not limited to an inkjet recording apparatus, and is applicable to, for example, a laser-type recording apparatus, a thermal-type recording apparatus and so on. The recording media are not limited to the recording sheets P, and may be various recordable media.

The resistance applying mechanism 90 may be located at a position that is aligned with the contact 83 in the mounting direction of the cartridge 35 in the cartridge mount portion 80. The resistance applying mechanisms 90, 290 may be disposed in the vicinity of the opening 81b of the cartridge mount portion 80. In other words, the resistance applying mechanisms 90, 290 may be located far distanced from the contact 83 and so on. The resistance applying mechanism 90 may have no limiting portion 96. Further, in the state in which the pivot member 91 is at the projecting position, the angle of the inclined surface 91d of the horizontal portion 91a with respect to the lower inner surface 81a may be smaller than that of the inclined surface 91e or may be the same as that of the inclined surface 91e. The elastic body 291 may be formed of an elastic material such as rubber.

What is claimed is:

**[1.** A recording apparatus comprising:

a supporting portion configured to support a recording medium;

a first housing configured to support the supporting portion;

a recording portion configured to record an image on the recording medium supported by the supporting portion, the recording portion configured to record the image using a recording agent;

a second housing configured to connect with the first housing via a shaft and configured to support the recording portion, the second housing being further configured to be pivotable about the shaft, relative to the first housing, between a close position at which the image is recorded on the recording medium by the recording portion and a distant position at which the second housing is distant farther from the first housing than at the close position; and

a tank mount portion supported by the second housing such that a mounting direction of a tank with respect to the tank mount portion in a state in which the second housing is at the distant position has a downward component in a vertical direction, the tank mount portion being configured to pivot together with the second housing, and the tank configured to store the recording agent,

wherein the tank mount portion comprises a resistance applying mechanism configured to apply a resistance force, when the second housing is at the distant position, to the tank in a state in which at least a part of the tank is inserted into the tank mount portion in the mounting direction, the resistance applying mechanism configured to apply the resistance force to the tank in addition to a kinetic friction force that is applied from an inner surface of the tank mount portion to the tank, and the resistance applying mechanism configured to apply the resistance force to act in a direction opposite to the mounting direction,

14

wherein a lower inner surface of the inner surface is configured to face a lower surface of the tank in a state in which the tank is inserted into the tank mount portion,

wherein the tank mount portion comprises a contact portion configured to detect contact with the tank, the contact portion being provided on a bottom surface, which is a downstream surface of the tank mount portion in the mounting direction,

wherein the resistance applying mechanism is disposed nearer to a center position of the tank mounting portion than the contact portion in a first direction, which is a direction parallel to the lower inner surface and perpendicular to the mounting direction,

wherein the resistance applying mechanism comprises a moving body configured to move from a retracted position to a projecting position in response to movement of the second housing from the close position toward the distant position and configured to move from the projecting position to the retracted position in response to movement of the second housing from the distant position toward the close position, and

wherein the projecting position is a position at which the moving body applies the resistance force to the tank and the retracted position is a position at which the moving body does not apply the resistance force to the tank.]

**2.** The recording apparatus according to claim **[1]** 18,

wherein the resistance applying mechanism is configured to apply the resistance force to the tank at a position distant from the contact *of the tank mount* portion in the direction opposite to the mounting direction.

**3.** The recording apparatus according to claim **2**, wherein the resistance applying mechanism is located in a position adjacent to the contact *of the tank mount* portion.

**[4.** The recording apparatus according to claim **1**,

wherein the resistance applying mechanism comprises:

a force applying portion, which is configured to apply a force to move the moving body from the retracted position to the projecting position, and

an engaging portion, which is configured to be engaged with the moving body, such that the moving body is moved against the force by the force applying portion from the projecting position to the retracted position while the second housing is pivoted from the distant position to the close position.]

**[5.** The recording apparatus according to claim **4**, wherein the resistance applying mechanism comprises a limiting portion configured to limit a movement of the moving body such that the moving body is maintained at the projecting position against the force by the force applying portion in a state in which the second housing is at the distant position.]

**[6.** The recording apparatus according to claim **1**,

wherein the moving body comprises:

one inclined surface inclined from a top portion of the moving body in a direction opposite to the mounting direction; and

another inclined surface inclined from the top portion of the moving body in the mounting direction, and

wherein an acute angle of the one inclined surface with respect to the inner surface of the tank mount portion is greater than an acute angle of said another inclined surface with respect to the inner surface thereof in a state in which the moving body is at the projecting position.]

15

7. The recording apparatus according to claim [1] 18, wherein the resistance applying mechanism is formed of an elastic material.

[8. The recording apparatus according to claim 1, wherein the mounting direction is a horizontal direction in the state in which the second housing is at the close position.]

[9. The recording apparatus according to claim 1, wherein the resistance applying mechanism comprises:

a force applying portion configured to apply a force to move the moving body from the retracted position to the projecting position, and

an engaging portion configured to be engaged with the moving body such that the moving body is positioned at the retracted position against the force by the force applying portion in the state in which the second housing is at the close position.]

10. The recording apparatus according to claim [1] 18, wherein the resistance applying mechanism is configured to protrude from [the] a bottom surface of the tank mount portion in the direction opposite to the mounting direction, the bottom surface being a downstream surface of the tank mount portion in the mounting direction.

11. The recording apparatus according to claim [1] 18, wherein the resistance applying mechanism and the contact of the tank mount portion are disposed at respective positions nearer to an end portion of the tank mount portion than to the center position in the first direction.

12. The recording apparatus according to claim [1] 18, wherein the resistance applying mechanism comprises:

an elastic member configured to generate the resistance force, and

a contact member configured to be in contact with the tank, and

wherein the elastic member is disposed on a downstream side of the contact member in the mounting direction and at an area overlapping with an area of the contact member in the first direction.

[13. A recording apparatus comprising:

a first housing;

a second housing configured to connect with the first housing via a shaft and to be pivotable about the shaft, relative to the first housing, between a close position at which an image is recorded on a recording medium and a distant position at which the second housing is distant farther from the first housing than at the close position; and

a tank mount portion provided in the second housing such that a mounting direction of a tank with respect to the tank mount portion in a state in which the second housing is at the distant position has a downward component in a vertical direction, the tank configured to store a recording agent for recording an image on the recording medium,

wherein the tank mount portion comprises a resistance applying mechanism configured to apply a resistance force, when the second housing is at the distant position, to the tank in a state in which at least a part of the tank is inserted into the tank mount portion in the mounting direction, the resistance applying mechanism configured to apply the resistance force to the tank in addition to a kinetic friction force that is applied from an inner surface of the tank mount portion to the tank, and the resistance applying mechanism configured to apply the resistance force to act in a direction opposite to the mounting direction,

wherein the resistance applying mechanism comprises a moving body configured to move from a retracted

16

position to a projecting position in response to movement of the second housing from the close position toward the distant position and configured to move from the projecting position to the retracted position in response to movement of the second housing from the distant position toward the close position,

wherein the projecting position is a position at which the moving body applies the resistance force to the tank and the retracted position is a position at which the moving body does not apply the resistance force to the tank, and

wherein the moving body comprises a contact surface, which is configured to contact with the tank being inserted in the tank mounting portion in a state in which the moving body is in the projecting position, and which is configured to be spaced apart from the tank in a state in which the moving body is in the retracted position.]

[14. The recording apparatus according to claim 13, wherein the resistance applying mechanism comprises:

a force applying portion, which is configured to apply a force to move the moving body from the retracted position to the projecting position, and

an engaging portion, which is configured to be engaged with the moving body, such that the moving body is moved against the force by the force applying portion from the projecting position to the retracted position while the second housing is pivoted from the distant position to the close position.]

[15. The recording apparatus according to claim 14, wherein the resistance applying mechanism comprises a limiting portion configured to limit a movement of the moving body such that the moving body is maintained at the projecting position against the force by the force applying portion in a state in which the second housing is at the distant position.]

[16. The recording apparatus according to claim 13, wherein the moving body comprises:

one inclined surface inclined from a top portion of the moving body in a direction opposite to the mounting direction; and

another inclined surface inclined from the top portion of the moving body in the mounting direction, and wherein an acute angle of the one inclined surface with respect to the inner surface of the tank mount portion is greater than an acute angle of said another inclined surface with respect to the inner surface thereof in a state in which the moving body is at the projecting position.]

[17. The recording apparatus according to claim 13, wherein the mounting direction is a horizontal direction in the state in which the second housing is at the close position.]

18. A recording apparatus comprising:

a supporting portion configured to support a recording medium;

a recording portion configured to record an image on the recording medium supported by the supporting portion, the recording portion configured to record the image using a recording agent;

a tank mount portion comprising:

a needle configured to contact with a supply portion of a tank storing the recording

a contact configured to contact with a contact of the tank, and;

a resistance applying mechanism configured to apply a resistance force to the tank in a state in which at least

17

a part of the tank is inserted into the tank mount portion in a mounting direction of the tank with respect to the tank mount portion, the resistance applying mechanism configured to apply the resistance force to the tank in addition to a kinetic friction force that is applied from an inner surface of the tank mount portion to the tank, and the resistance applying mechanism configured to apply the resistance force to act in a direction opposite to the mounting direction,

wherein the resistance applying mechanism, the needle and the contact of the tank mount portion are opposed to a front surface of the tank in the mounting direction in a state in which at least a part of the tank is inserted into the tank mount portion,

wherein the resistance applying mechanism contacts with the front surface of the tank at a position upstream of an end of the contact of the tank mounting direction in the mounting direction,

wherein the mounting direction of the tank in the tank mount portion is a horizontal direction in a state in which the tank mount portion is at a first position, and is a direction having a downward component in a vertical direction in a state in which the tank mount portion is at a second position at which the tank mount portion is positioned farther from the supporting portion than at the first position,

wherein the resistance applying mechanism comprises a moving body configured to be moved from a retracted position to a projecting position in response to movement of the tank mount portion from the first position toward the second position and configured to be moved from the projecting position to the retracted position in response to movement of the tank mount portion from the second position to the first position, and

wherein the projecting position is a position at which the moving body applies the resistance force to the tank and the retracted position is a position at which the moving body does not apply the resistance force to the tank.

19. The recording apparatus according to claim 18, wherein the resistance applying mechanism comprises a spring, and wherein the spring is offset from the contact of the tank mount portion with respect to a first direction perpendicular to the mounting direction.

18

20. The recording apparatus according to claim 19, wherein the needle is located between the spring and the contact of the tank mount portion with respect to the first direction.

21. The recording apparatus according to claim 18, wherein the resistance applying mechanism comprises two springs, and wherein the two springs are offset from each other with respect to a first direction perpendicular to the mounting direction.

22. The recording apparatus according to claim 18, wherein the resistance applying mechanism comprises: a force applying portion, which is configured to apply a force to move the moving body from the retracted position to the projecting position, and an engaging portion, which is configured to be engaged with the moving body such that the moving body is moved against the force by the force applying position from the projecting position to the retracted position.

23. The recording apparatus according to claim 22, wherein the resistance applying mechanism includes a limiting portion configured to limit a movement of the moving body such that the moving body is maintained at the projecting position against the force by the force applying portion.

24. The recording apparatus according to claim 18, wherein the moving body comprises: one inclined surface inclined from a top portion of the moving body in a direction opposite to the mounting direction; and another inclined surface inclined from the top portion of the moving body in the mounting direction, and wherein an acute angle of the one inclined surface with respect to the inner surface of the tank mount portion is greater than an acute angle of said another inclined surface with respect to the inner surface thereof in a state in which the moving body is at the projecting position.

25. The recording apparatus according to claim 18, wherein the resistance applying mechanism comprises: a force applying portion configured to apply a force to move the moving body from the retracted position to the projecting position, and an engaging portion configured to be engaged with the moving body such that the moving body is positioned at the retracted position against the force by the force applying portion.

\* \* \* \* \*