



US00RE48669E

(19) **United States**
(12) **Reissued Patent**
Hering et al.

(10) **Patent Number: US RE48,669 E**
(45) **Date of Reissued Patent: Aug. 3, 2021**

(54) **SYSTEM AND METHOD FOR IDENTIFYING AND [ASSESSING] REMEDIATING VULNERABILITIES ON A MOBILE COMMUNICATIONS DEVICE**

(71) Applicant: **Lookout, Inc.**, San Francisco, CA (US)

(72) Inventors: **John G. Hering**, San Francisco, CA (US); **Kevin Mahaffey**, San Francisco, CA (US); **James Burgess**, Alameda, CA (US)

(73) Assignee: **Lookout, Inc.**, San Francisco, CA (US)

(21) Appl. No.: **16/670,488**

(22) Filed: **Oct. 31, 2019**

Related U.S. Patent Documents

Reissue of:

(64) Patent No.: **8,397,301**
Issued: **Mar. 12, 2013**
Appl. No.: **12/621,431**
Filed: **Nov. 18, 2009**

U.S. Applications:

(63) Continuation of application No. 15/898,124, filed on Feb. 15, 2018, now Pat. No. Re. 47,757, which is a
(Continued)

(51) **Int. Cl.**
H04L 29/06 (2006.01)
H04W 12/128 (2021.01)
G06F 21/57 (2013.01)

(52) **U.S. Cl.**
CPC **H04L 63/1433** (2013.01); **G06F 21/577** (2013.01); **H04W 12/128** (2021.01)

(58) **Field of Classification Search**
CPC ... **G06F 21/577**; **H04L 63/1433**; **H04W 12/12**
(Continued)

(56) **References Cited**

U.S. PATENT DOCUMENTS

3,416,032 A 12/1968 Jahns et al.
4,553,257 A 11/1985 Mori et al.

(Continued)

FOREIGN PATENT DOCUMENTS

GB 2430588 3/2007
WO 2007081356 7/2001

(Continued)

OTHER PUBLICATIONS

U.S. Appl. No. 12/255,635, Prosecution history available (including Office Action dated Mar. 24, 2011 and references cited.)

(Continued)

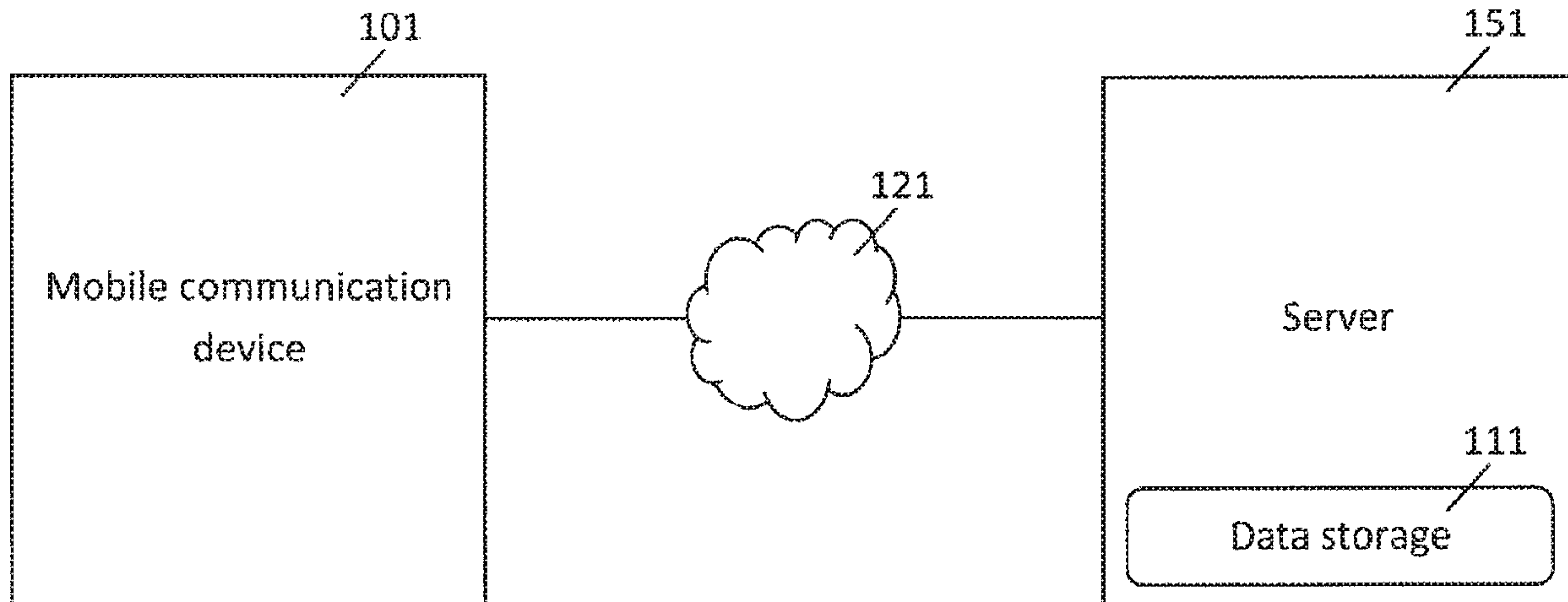
Primary Examiner — Minh Dieu Nguyen

(74) *Attorney, Agent, or Firm* — Dergosits & Noah LLP

(57) **ABSTRACT**

The invention is a system and method for identifying, assessing, and responding to vulnerabilities on a mobile communication device. Information about the mobile communication device, such as its operating system, firmware version, or software configuration, is transmitted to a server for assessment. The server accesses a data storage storing information about vulnerabilities. Based on the received information, the server may identify those vulnerabilities affecting the mobile communication device, and may transmit a notification to remediate those vulnerabilities. The server may also transmit result information about the vulnerabilities affecting the mobile communication device. The server may also store the received information about the device, so that in the event the server learns of new vulnerabilities, it may continue to assess whether the device is affected, and may accordingly notify or remediate the device. The server may provide an interface for an administrator to manage the system and respond to security issues.

21 Claims, 11 Drawing Sheets



Related U.S. Application Data

continuation of application No. 14/109,725, filed on Dec. 17, 2013, now Pat. No. Re. 46,768, which is an application for the reissue of Pat. No. 8,397,301.

(58) **Field of Classification Search**

USPC 726/7, 24–25; 455/411, 418–420, 423, 455/432.2, 432.3

See application file for complete search history.

(56) **References Cited**

U.S. PATENT DOCUMENTS

			7,856,373 B2	12/2010	Ullah	
			7,861,303 B2	12/2010	Kouznetsov et al.	
			7,907,966 B1	3/2011	Mammen	
			7,916,661 B2	3/2011	Alizadeh-Shabdiz et al.	
			7,999,742 B2	8/2011	Alizadeh-Shabdiz et al.	
			8,014,788 B2	9/2011	Alizadeh-Shabdiz et al.	
			8,019,357 B2	9/2011	Alizadeh-Shabdiz et al.	
			8,031,657 B2	10/2011	Jones et al.	
			8,054,219 B2	11/2011	Alizadeh-Shabdiz	
			8,089,398 B2	1/2012	Alizadeh-Shabdiz	
			8,089,399 B2	1/2012	Alizadeh-Shabdiz	
			8,090,386 B2	1/2012	Alizadeh-Shabdiz	
			8,126,456 B2	2/2012	Lotter et al.	
			8,127,358 B1	2/2012	Lee	
			8,438,643 B2*	5/2013	Wiemer H04L 63/1433	726/25
			2001/0044339 A1	11/2001	Cordero et al.	
			2002/0042886 A1	4/2002	Lahti et al.	
			2002/0042888 A1	4/2002	Lahti et al.	
			2002/0087483 A1	7/2002	Harif	
			2002/0108058 A1	8/2002	Iwamura	
			2002/0183060 A1	12/2002	Ko et al.	
			2002/0183080 A1	12/2002	Ko et al.	
			2002/0191018 A1	12/2002	Broussard	
			2003/0028803 A1	2/2003	Bunker et al.	
			2003/0046134 A1	3/2003	Frolick et al.	
			2003/0079145 A1	4/2003	Kouznetsov et al.	
			2003/0115485 A1	6/2003	Milliken	
			2003/0120951 A1	6/2003	Gartside et al.	
			2003/0126472 A1*	7/2003	Banzhof G06F 21/577	726/25
			2003/0131148 A1	7/2003	Kelley et al.	
			2004/0022258 A1	2/2004	Tsukada et al.	
			2004/0025042 A1	2/2004	Kouznetsov et al.	
			2004/0133624 A1	7/2004	Park	
			2004/0158741 A1	8/2004	Schneider	
			2004/0185900 A1	9/2004	McElveen	
			2004/0225887 A1	11/2004	O'Neil et al.	
			2004/0259532 A1	12/2004	Isomaki et al.	
			2005/0010821 A1	1/2005	Cooper et al.	
			2005/0015443 A1	1/2005	Levine et al.	
			2005/0074106 A1	4/2005	Orlamunder et al.	
			2005/0076246 A1	4/2005	Singhal	
			2005/0091308 A1	4/2005	Bookman et al.	
			2005/0125779 A1	6/2005	Kelley et al.	
			2005/0130627 A1	6/2005	Calmels et al.	
			2005/0138395 A1	6/2005	Benco et al.	
			2005/0138413 A1	6/2005	Lippmann et al.	
			2005/0154796 A1	7/2005	Forsyth	
			2005/0197009 A1	9/2005	Nehushtan	
			2005/0197099 A1	9/2005	Nehushtan	
			2005/0227669 A1	10/2005	Haparnas	
			2005/0237970 A1	10/2005	Inoue	
			2005/0254654 A1	11/2005	Rockwell et al.	
			2005/0278777 A1	12/2005	Loza	
			2005/0282533 A1	12/2005	Draluk et al.	
			2006/0026283 A1	2/2006	Trueba	
			2006/0073820 A1	4/2006	Craswell et al.	
			2006/0075388 A1	4/2006	Kelley et al.	
			2006/0080680 A1	4/2006	Anwar et al.	
			2006/0095454 A1	5/2006	Shankar et al.	
			2006/0095961 A1*	5/2006	Govindarajan H04L 63/1416	726/15
			2006/0101518 A1*	5/2006	Schumaker et al. 726/25	
			2006/0130145 A1	6/2006	Choi et al.	
			2006/0150238 A1	7/2006	D'Agostino	
			2006/0150256 A1	7/2006	Fanton et al.	
			2006/0179485 A1	8/2006	Longsine et al.	
			2006/0218482 A1	9/2006	Ralston et al.	
			2006/0224742 A1	10/2006	Shahbazi	
			2006/0253205 A1	11/2006	Gardiner	
			2006/0253584 A1	11/2006	Dixon et al.	
			2006/0272011 A1	11/2006	Ide et al.	
			2006/0277408 A1	12/2006	Bhat et al.	
			2006/0294582 A1	12/2006	Linsley-Hood et al.	
			2007/0005327 A1	1/2007	Ferris	
			2007/0011319 A1	1/2007	McClure et al.	
			2007/0015519 A1	1/2007	Casey	
			2007/0016953 A1	1/2007	Morris et al.	
5,319,776 A	6/1994	Hile et al.				
5,574,775 A	11/1996	Miller, II et al.				
6,185,689 B1	2/2001	Todd et al.				
6,269,456 B1	7/2001	Hodges et al.				
6,272,353 B1	8/2001	Dicker et al.				
6,301,668 B1	10/2001	Gleichauf et al.				
6,453,345 B2	9/2002	Trcka et al.				
6,529,143 B2	3/2003	Mikkola et al.				
6,792,543 B2	9/2004	Pak et al.				
6,907,530 B2	6/2005	Wang				
6,959,184 B1	10/2005	Byers et al.				
7,020,895 B2	3/2006	Albrecht				
7,023,383 B2	4/2006	Stilp et al.				
7,069,589 B2	6/2006	Schmall et al.				
7,096,368 B2	8/2006	Kouznetsov				
7,123,933 B2	10/2006	Poor et al.				
7,127,455 B2	10/2006	Carson et al.				
7,171,690 B2	1/2007	Kouznetsov et al.				
7,178,166 B1	2/2007	Taylor et al.				
7,210,168 B2	4/2007	Hursey et al.				
7,228,566 B2	6/2007	Caceres et al.				
7,236,598 B2	6/2007	Sheymov et al.				
7,237,264 B1	6/2007	Graham et al.				
7,266,810 B2	9/2007	Karkare et al.				
7,290,276 B2	10/2007	Ogata				
7,305,245 B2	12/2007	Alizadeh-Shabdiz				
7,308,256 B2	12/2007	Morota et al.				
7,308,712 B2	12/2007	Banzhof				
7,325,249 B2	1/2008	Sutton et al.				
7,356,835 B2	4/2008	Gancarcik et al.				
7,376,969 B1	5/2008	Njemanze et al.				
7,386,297 B2	6/2008	An				
7,392,043 B2	6/2008	Kouznetsov et al.				
7,392,543 B2	6/2008	Szor				
7,397,424 B2	7/2008	Houri				
7,397,434 B2	7/2008	Mun et al.				
7,401,359 B2	7/2008	Gartside et al.				
7,403,762 B2	7/2008	Morgan et al.				
7,414,988 B2	8/2008	Jones et al.				
7,415,270 B2	8/2008	Wilhelmsson et al.				
7,433,694 B2	10/2008	Morgan et al.				
7,467,206 B2	12/2008	Moore et al.				
7,471,954 B2	12/2008	Brachet et al.				
7,472,422 B1	12/2008	Agbabian				
7,474,897 B2	1/2009	Morgan et al.				
7,493,127 B2	2/2009	Morgan et al.				
7,502,620 B2	3/2009	Morgan et al.				
7,515,578 B2	4/2009	Alizadeh-Shabdiz				
7,525,541 B2	4/2009	Chun et al.				
7,551,579 B2	6/2009	Alizadeh-Shabdiz				
7,551,929 B2	6/2009	Alizadeh-Shabdiz				
7,634,800 B2	12/2009	Ide et al.				
7,685,132 B2	3/2010	Hyman				
7,696,923 B2	4/2010	Houri				
7,768,963 B2	8/2010	Alizadeh-Shabdiz				
7,768,983 B2	8/2010	Alizadeh-Shabdiz				
7,769,396 B2	8/2010	Alizadeh-Shabdiz et al.				
7,774,637 B1	8/2010	Beddoe et al.				
7,774,837 B2	8/2010	Beddoe et al.				
7,809,353 B2	10/2010	Brown et al.				
7,818,017 B2	10/2010	Alizadeh-Shabdiz et al.				
7,835,754 B2	11/2010	Alizadeh-Shabdiz et al.				
7,856,234 B2	12/2010	Alizadeh-Shabdiz et al.				

(56)

References Cited

U.S. PATENT DOCUMENTS

2007/0016955 A1 1/2007 Goldberg et al.
 2007/0028095 A1 2/2007 Allen et al.
 2007/0028303 A1 2/2007 Brennan
 2007/0028304 A1 2/2007 Brennan
 2007/0050471 A1 3/2007 Patel et al.
 2007/0086476 A1 4/2007 Iglesias et al.
 2007/0088948 A1* 4/2007 Ji H04W 12/35
 713/166
 2007/0154014 A1 7/2007 Aissi et al.
 2007/0174472 A1 7/2007 Kulakowski
 2007/0186282 A1 8/2007 Jenkins
 2007/0214504 A1 9/2007 Milani Comparetti et al.
 2007/0220608 A1 9/2007 Lahti et al.
 2007/0240218 A1 10/2007 Tuvell et al.
 2007/0240221 A1 10/2007 Tuvell et al.
 2007/0240222 A1 10/2007 Tuvell et al.
 2007/0248047 A1 10/2007 Shorty et al.
 2007/0250627 A1 10/2007 May et al.
 2007/0293263 A1 12/2007 Eslambolchi et al.
 2007/0297610 A1 12/2007 Chen et al.
 2008/0028470 A1 1/2008 Remington et al.
 2008/0046557 A1 2/2008 Cheng
 2008/0047007 A1 2/2008 Satkunanathan et al.
 2008/0065507 A1 3/2008 Morrison et al.
 2008/0070495 A1 3/2008 Stricklen et al.
 2008/0072329 A1 3/2008 Herschaft
 2008/0086773 A1 4/2008 Tuvell et al.
 2008/0086776 A1 4/2008 Tuvell et al.
 2008/0109871 A1 5/2008 Jacobs
 2008/0127171 A1 5/2008 Tarassov
 2008/0127179 A1 5/2008 Moss et al.
 2008/0127334 A1 5/2008 Gassoway
 2008/0127336 A1 5/2008 Sun et al.
 2008/0014381 A1 6/2008 Aaron
 2008/0132218 A1 6/2008 Samson et al.
 2008/0134281 A1 6/2008 Shinde et al.
 2008/0140767 A1 6/2008 Rao et al.
 2008/0148381 A1 6/2008 Aaron
 2008/0172746 A1 7/2008 Lotter et al.
 2008/0178294 A1 7/2008 Hu et al.
 2008/0181116 A1 7/2008 Kavanaugh et al.
 2008/0196104 A1 8/2008 Tuvell et al.
 2008/0200160 A1 8/2008 Fitzpatrick et al.
 2008/0208950 A1 8/2008 Kim et al.
 2008/0209557 A1 8/2008 Herley et al.
 2008/0235801 A1 9/2008 Soderberg et al.
 2008/0276111 A1 11/2008 Jacoby et al.
 2008/0293396 A1 11/2008 Barnes et al.
 2008/0318562 A1 12/2008 Featherstone et al.
 2009/0199298 A1 8/2009 Miliefsky
 2009/0205047 A1* 8/2009 Podjarny 726/25
 2009/0248623 A1 10/2009 Adelman et al.
 2009/0293125 A1 11/2009 Szor
 2010/0064341 A1 3/2010 Aldera
 2010/0100939 A1 4/2010 Mahaffey et al.
 2010/0100963 A1 4/2010 Mahaffey
 2010/0154032 A1 6/2010 Ollmann
 2010/0313270 A1 12/2010 Kim et al.
 2010/0332593 A1 12/2010 Barash et al.

FOREIGN PATENT DOCUMENTS

WO WO2005101789 10/2005
 WO 2006110181 10/2006
 WO 2008007111 1/2008
 WO 2008057737 5/2008

OTHER PUBLICATIONS

U.S. Appl. No. 12/255,632. Prosecution history available (including Office Action dated Apr. 13, 2011 and references cited.)
 U.S. Appl. No. 12/255,626. Prosecution history available (including Office Action dated Feb. 1, 2011 and references cited.)

U.S. Appl. No. 12/255,621, Prosecution history available (including Office Action dated Apr. 13, 2011 and references cited.)
 Teh, Joe, "Norton 360 Version 3.0 Review," Mar. 9, 2009, available at <<http://techielobang.com/blog/2009/03/09/norton-360-version-30-review/>> retrieved Feb. 23, 2011, 12 pages.
 U.S. Appl. No. 12/255,614. Prosecution history available (Including Office Action dated Apr. 14, 2011 and references cited.)
 Real world Computing, Jun. 16, 2008 (PC Pro), pp. 1-2.
 Simone, "Playing with ActiveMQ," Mostly Useless, Dec. 27, 2007, available at <<http://www.mostly-useless.com/blog/2007/12/27/playing-with-activemq/>>, retrieved Mar. 30, 2012, 6 pages.
 Trillian, available at <<http://www.trillian.lm/>>, retrieved Sep. 14, 2011, 24 pages.
 U.S. Appl. No. 13/033,025; Prosecution history available, filed Feb. 23, 2011.
 U.S. Appl. No. 13/212,055; Prosecution history available, filed Aug. 17, 2011.
 U.S. Appl. No. 12/255,632. Prosecution history available (including office action dated Apr. 13, 2011 and references cited), filed Oct. 21, 2008.
 U.S. Appl. No. 12/372,719. Prosecution history available, filed Feb. 17, 2009.
 U.S. Appl. No. 12/621,431. Prosecution history available, filed Nov. 18, 2009.
 U.S. Appl. No. 12/868,669. Prosecution history available, filed Aug. 25, 2010.
 U.S. Appl. No. 12/868,872. Prosecution history available, filed Aug. 25, 2010.
 U.S. Appl. No. 12/868,676. Prosecution history available, filed Aug. 25, 2010.
 U.S. Appl. No. 12/876,018. Prosecution history available, filed Sep. 3, 2010.
 U.S. Appl. No. 13/160,382. Prosecution history available, filed Jun. 14, 2011.
 U.S. Appl. No. 13/160,447. Prosecution history available, filed Jun. 14, 2011.
 U.S. Appl. No. 13/162,477. Prosecution history available, filed Jun. 16, 2011.
 U.S. Appl. No. 13/267,731. Prosecution history available, filed Oct. 6, 2011.
 Virus Total, VT Community, www.virustotal.com/index.html; Dated Dec. 16, 2011; 44 Pages.
 Fisher, Oliver "Malware? We Don't Need No Stinking Malware!," Google, Oct. 24, 2008, available at <<http://googlewebmastercentral.blogspot.com/2008/10/malware-we-dont-need-no-stinking.html>>, retrieved Mar. 30, 2012, 11 pages.
 Fette, Ian "Understanding Phishing and Malware Protection in Google Chrome," The Chromium Blog, Nov. 14, 2008, available at <<http://blog.chromium.org/2008/11/understanding-phishing-and-malware.htm>>, retrieved May 17, 2011, 6 pages.
 "Java Virtual Machine", Wikipedia, Aug. 7, 2011, Available at <http://en.wikipedia.org/wiki/Java_Virtual_Machine> Retrieved Aug. 10, 2011, 7 pages.
 "Symantec Endpoint Protection", Symantec, 2008, Available at <<http://www.symantec.com/business/products/family.jsp?familyid=endpointsecurity>>, 6 pages.
 "eSoft unveils SiteFilter 3.0 for OEMs," Infosecurity, Mar. 23, 2010, available at <<http://www.infosecurity-magazine.com/view/8273/esoft-unveils-sitefilter-30-for-oems/>>, retrieved Mar. 30, 2012, 2 pages.
 "Get the Physical Location of Wireless Router From Its MAC Address (BSSID)," Coderrr, Sep. 10, 2008, available at <<http://coderrr.wordpress.com/2008/09/10/get-the-physical-location-of-wireless-router-from-its-mac-address-bssid/>>, retrieved Mar. 30, 2012, 13 pages.
 Pogue, David "Simplifying the Lives of Web Users," The New York Times, Aug. 18, 2010, available at <<http://www.nytimes.com/2010/08/19/technology/personaltech/19pogue.html>>, retrieved May 17, 2011, 5 pages.
 "zVeloDB URL Database," zVelo, available at <<https://zvelo.com/technology/zvelodb-url-database>>, retrieved Mar. 30, 2012, 2 pages.
 U.S. Appl. No. 11/397,521. Prosecution available, filed Apr. 6, 2006.

(56)

References Cited

OTHER PUBLICATIONS

- U.S. Appl. No. 13/284,248. Prosecution available, filed Oct. 28, 2011.
- U.S. Appl. No. 13/313,937. Prosecution available, filed Dec. 7, 2011.
- U.S. Appl. No. 13/314,032. Prosecution available, filed Dec. 7, 2011.
- U.S. Appl. No. 13/333,654. Prosecution available, filed Dec. 21, 2011.
- U.S. Appl. No. 13/335,779. Prosecution available, filed Dec. 22, 2011.
- U.S. Appl. No. 13/410,979. Prosecution available, filed Mar. 2, 2012.
- Dolcourt, Jessica; Dashwire: Manage Your Cell Phone on the Web, News Blog, with Jessica Dolocourt, Oct. 29, 2007, 5:00am PDT <http://news.cnet.com/8301-10784_3-9805557-7.html> retrieved Jun. 15, 2009; pp. 1-3.
- MobileWipe web page, pp. 1-4, published on Dec. 5, 2007, retrieved on Dec. 5, 2007.
- PCT International Search Report and Written Opinion of the International Searching Authority for PCT/US2009/061370; dated Dec. 14, 2009; pp. 1-12.
- PCT International Search Report and Written Opinion of the International Searching Authority for PCT/US2009/081372; dated Mar. 24, 2010; pp. 1-16.
- PCT International Search Report and Written Opinion of the International Searching Authority for PCT/US2011/049182; dated Dec. 23, 2011; pp. 1-11.
- McAfee, Internet Archive, Way Back Machine, available at <<http://web.archive.org/web/20080517102505/www.mcafeesecure.com/us/tec-hnology-intro.jsp>>, retrieved Feb. 23, 2011, 2 pages.
- Qualys, "Executive Dashbard," Internet Archive, Way Back Machine, available at <[http://web.archive.org/web/20080507161417/www.qualys.com/products/screens/?screen=Executive + Dashboard](http://web.archive.org/web/20080507161417/www.qualys.com/products/screens/?screen=Executive+Dashboard)>, retrieved Feb. 23, 2011, 1 page.
- Qualys, "Vulnerability Management," Internet Archive, Way Back Machine, available at <http://web.archive.org/web/20080611095201/www.qualys.com/solutions/vulnerability_management> retrieved Feb. 24, 2011, 1 page.
- Ten, Joe, "Norton 360 Version 3.0 Review," Mar. 9, 2009, available at <<http://techieobang.com/blog/2009/03/09/norton-360-version-30-review/>> retrieved Feb. 23, 2011, 12 pages.
- Windows Update, Internet Archive, Way Back Machine, available at <http://web.archive.org/web/20071022193017/http://en.wikipedia.org/wik-i/Windows_Update> retrieved Feb. 23, 2011, 3 pages.
- U.S. Appl. No. 12/255,614. Prosecution history available via USPTO (including Office Action dated Apr. 14, 2011).
- Richardson, Alexis "Introduction to RabbitMQ," Google UK, Sep. 25, 2008, available at <<http://www.rabbitmq.com/resources/google-tech-talk-final/alexis-google-rabbitmq-talk.pdf>>, retrieved Mar. 30, 2012, 33 pages.
- Fisher, Oliver "Malware? We Don't Need No Stinking Malwarel," Google, Oct. 24, 2008, available at <<http://googlewebmastercentral.blogspot.com/2008/10/malware-we-dont-need-no-stinking.html>>, retrieved Mar. 30, 2012, 11 pages.
- Reardon, Marguerite "Mobile Phones That Track Your Buddies," Cnet, Nov. 14, 2006, available at <http://news.cnet.com/Mobile-phones-that-track-your-buddies/2100-1039_3-6135209.html>, retrieved Mar. 30, 2012, 4 pages.
- Fette, Ian "Understanding Phishing and Malware Protection in Google Chrome," the Chromium Blog, Nov. 14, 2008, available at <<http://blog.chromium.org/2008/11/understanding-phishing-and-malware.htm>>, retrieved May 17, 2011, 6 pages.
- Kincaid, Jason "Urban Airship Brings Easy Push Notifications to Android," TechCrunch, Aug. 10, 2010, available at <<http://techcrunch.com/2010/08/10/urban-airship-brings-easy-push-notifications-to-android/>>, retrieved Jun. 16, 2011, 5 pages.
- Keane, Justin K. "Using the Google Safe Browsing API from PHP," Mad Irish, Aug. 7, 2009, available at <<http://www.madirish.net/node/245>>, retrieved Mar. 30, 2012, 5 pages.
- Jefferies, Charles P. "Webroot AntiVirus 2010 With Spy Sweeper Review," Notebook Review, Jun. 22, 2010, available at <http://www_notebookreview.com/default.asp?newsID=5700&review=Webroot+AntiVirus+2010+With+Spy+Sweeper+Review>, retrieved May 18, 2011, 3 pages.
- "Berry Locator", 2007, Mobireport LLC, 1 page.
- "Firefox", Wikipedia, Jul. 20, 2011, available at <<http://en.wikipedia.org/wiki/firefox>> Retrieved Aug. 10, 2011, 37 Pages.
- "F-Secure Mobile Security for S60 Users Guide", F-Secure Corporation 2009, pp. 1-34.
- "Java Virtual Machine", Wikipedia, Aug. 7, 2011, Available at <http://en.wikipedia.org/wiki/Java_Virtual_Machine> Retrieved Aug. 10, 2011, 7 pages.
- "Kaspersky Mobile Security", Kaspersky Lab 1997-2007, 1 page.
- "Kaspersky Mobile Security", Kaspersky Lab 2008, available at <http://www.kaspersky.com/kaspersky_mobile_security> Retrieved Sep. 11, 2008, 2 Pages.
- "Norton Smartphone Security", Symantec, 2007, Available at <<http://www.symantec.com/norton/smartphone-security>> Retrieved Oct. 21, 2008, 2 pages.
- "PhoneBak PDA Phone Anti-theft software for your PDA phone", 2007, Bak2u Pte Ltd (Singapore) pp. 1-4.
- "PhoneBak: Mobile Phone Theft Recovery Software", 2007, Westin Tech.
- "Symantec Endpoint Protection", Symantec, 2008, Available at <<http://www.symantec.com/business/products/family.jsp?familyid=endpointsecurity>>, 6 pages.
- "Symantec Mobile Security Suite for Windows Mobile", Symantec, 2008 Available at <http://www.symantec.com/business/products/sysreq.jsp?pcid=2241&pvid=mobile_security_suite_1>, 5 pages.
- "TippingPoint Security Management System (SMS)", TippingPoint, Available at <http://www.tippingpoint.com/products_sms.html>, 2 pages.
- Summerson, Cameron "5 Android Antivirus Apps Compared, Find Out Which Ones Are Worth Having!," Android Headlines, Mar. 8, 2011, available at <<http://androidheadlines.com/2011/03/5-android-antivirus-apps-comapred-findout-which-ones-are-worth-having.html>>, retrieved Mar. 30, 2012, 9 pages.
- "Android Cloud to Device Messaging Framework," Google Code Labs, available at <<http://code.google.com/android/c2dm/>>, retrieved Sep. 14, 2011, 9 pages.
- "BlackBerry Push Service Overview," Dec. 16, 2009, available at <http://us.blackberry.com/developers/platform/.pushapi.jsp#tab_tab_resources>, retrieved Sep. 14, 2011, 21 pages.
- "eSoft unveils SiteFilter 3.0 for OEMs," Infosecurity, Mar. 23, 2010, available at <<http://www.infosecurity-magazine.com/view/82731esoft-unveils-sitefilter-30-for-oems/>>.
- "Get the Physical Location of Wireless Router From its MAC Address (BSSID)," Coderrr, Sep. 10, 2008, available at <<http://codermwordpress.com/2008/09/10/get-the-physical-location-of-wireless-router-from-its-mac-address-bssid/>>, retrieved Mar. 30, 2012, 13 pages.
- "Hooking—Wikipedia, the Free Encyclopedia," Internet Archive Wayback Machine, Apr. 13, 2010, available at <<http://web.archive.org/web/20100415154752/http://en.wikipedia.org/wiki/Hooking>>, retrieved Mar. 30, 2012, 6 pages.
- Mytton, David "How to Build an Apple Push Notification Provider Server (Tutorial)," Server Density, Jul. 10, 2009, available at <<http://blog.serverdensity.com/2009/07/10/how-to-build-an-apple-push-notification-provider-server-tutorial/>>, retrieved Apr. 2, 2012, 33 pages.
- "Pidgin the Universal Chat Client," Pidgin, available at <<http://www.pidgin.im/>>, retrieved Sep. 14, 2011, 14 pages.
- Pogue, David "Simplifying the Lives of Web Users," the New York Times, Aug. 18, 2010, available at <<http://www.nytimes.com/2010/08/19/technology/personaltech/19pogue.html>>, retrieved May 17, 2011, 5 pages.
- "Twilio Cloud Communications Web Service Api for Building Voice and Sms Applications," Twilio available at <<http://www.twilio.com/>>, retrieved Sep. 14, 2011, 12 pages.
- "Understanding Direct Push," Microsoft, Feb. 18, 2009, available at <[http://technet.microsoft.com/en-us/library/aa997252\(v=exchg.80\).aspx](http://technet.microsoft.com/en-us/library/aa997252(v=exchg.80).aspx)>, retrieved Mar. 30, 2012, 3 pages.

(56)

References Cited

OTHER PUBLICATIONS

“Urban Airship: Powering Modern Mobile,” available at <<http://urbanairship.com/products/>>, retrieved Sep. 16, 2011, 14 pages.

“zVeloDB URL Database,” zVelo, available at <<https://zvelo.com/technology/zvelodb-url-database>>, retrieved Mar. 30, 2012, 2 pages.

U.S. Appl. No. 11/397,521.

U.S. Appl. No. 13/284,248.

U.S. Appl. No. 13/313,937.

U.S. Appl. No. 13/314,032.

U.S. Appl. No. 13/333,654.

U.S. Appl. No. 13/335,779.

U.S. Appl. No. 13/410,979.

Amazon.com: Mining the Web Discovering Knowledge from Hypertext Data (9781558607545): Soumen Chakrabarti: Books, Amazon available at <<http://www.amazon.com/exec/obidos/Asin/1558607544/>>, retrieved Jun. 7, 2012, pp. 1-7.

Clickatell, available at <<http://www.clickatell.com/>>, retrieved Sep. 14, 2011, 11 pages.

Dolcourt, Jessica; Dashwire: Manage Your Cell Phone on the Web, News Blog, with Jessica Dolocourt, Oct. 29, 2007, 5:00am PDT <http://news.cnet.com/8301-10784_3-9805657-7.html> retrieved Jun. 15, 2009; pp. 1-3.

Diligenti, M., et al., Focused Crawling Using Context Graphs:, Proceedings of the 26th VLDB Conference, Cairo, Egypt, 2000, pp. 1-8.

Grafio “Stay Secure”, Opera Software, Sep. 29, 2008, Available at <<http://widgets.opera.com/widget/4495>> Retrieved Oct. 21, 2008, 4 pages.

MobileWipe web page, pp. 1-4.

PagerDuty, available at <<http://www.pagerduty.com/>>, retrieved Sep. 14, 2011, 23 pages.

PCT International Search Report and Written Opinion of the International Searching Authority for PCT/US2009/061370; Mailed on Dec. 14, 2009; pp. 1-12.

PCT International Search Report and Written Opinion of the International Searching Authority for PCT/US2009/061372; Mailed on Mar. 24, 2010; pp. 1-16.

PCT International Search Report and Written Opinion of the International Searching Authority for PCT/US2011/049182; Mailed on Dec. 23, 2011; pp. 1-11.

Prey, available at <<http://preyproject.com/>>, retrieved Jan. 10, 2012, 4 pages.

* cited by examiner

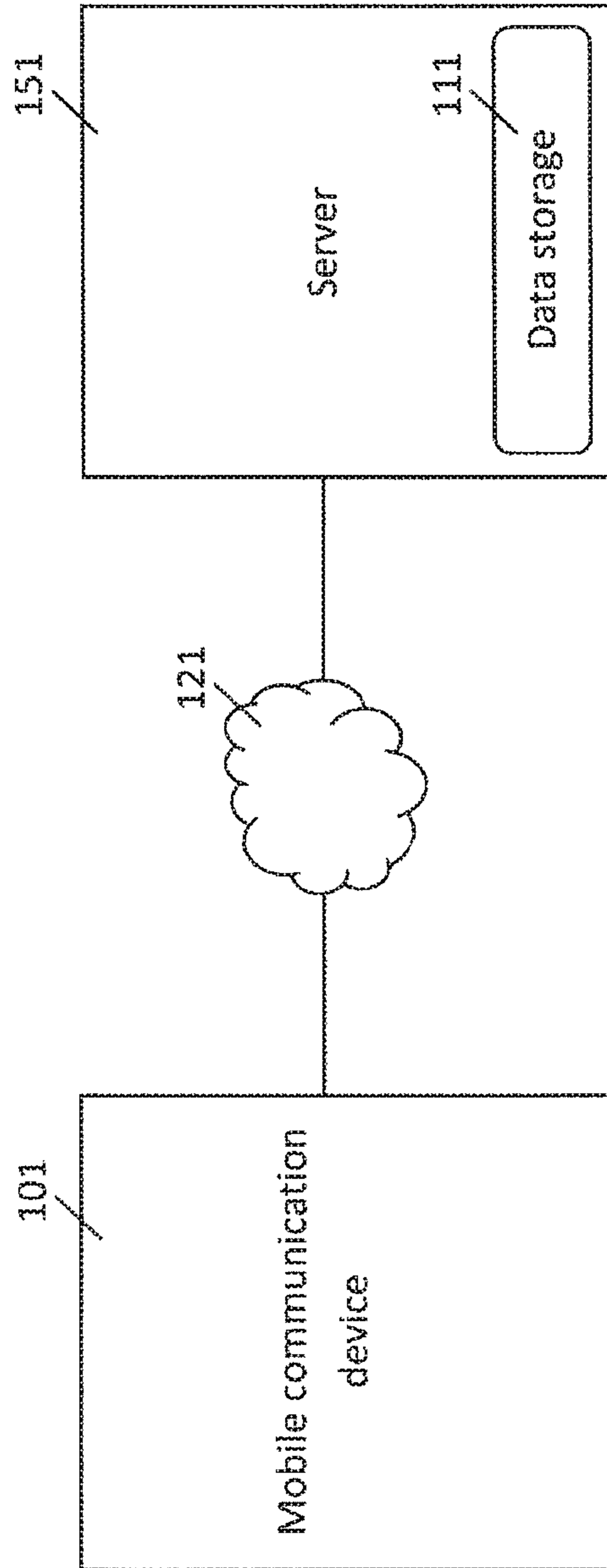


FIG. 1

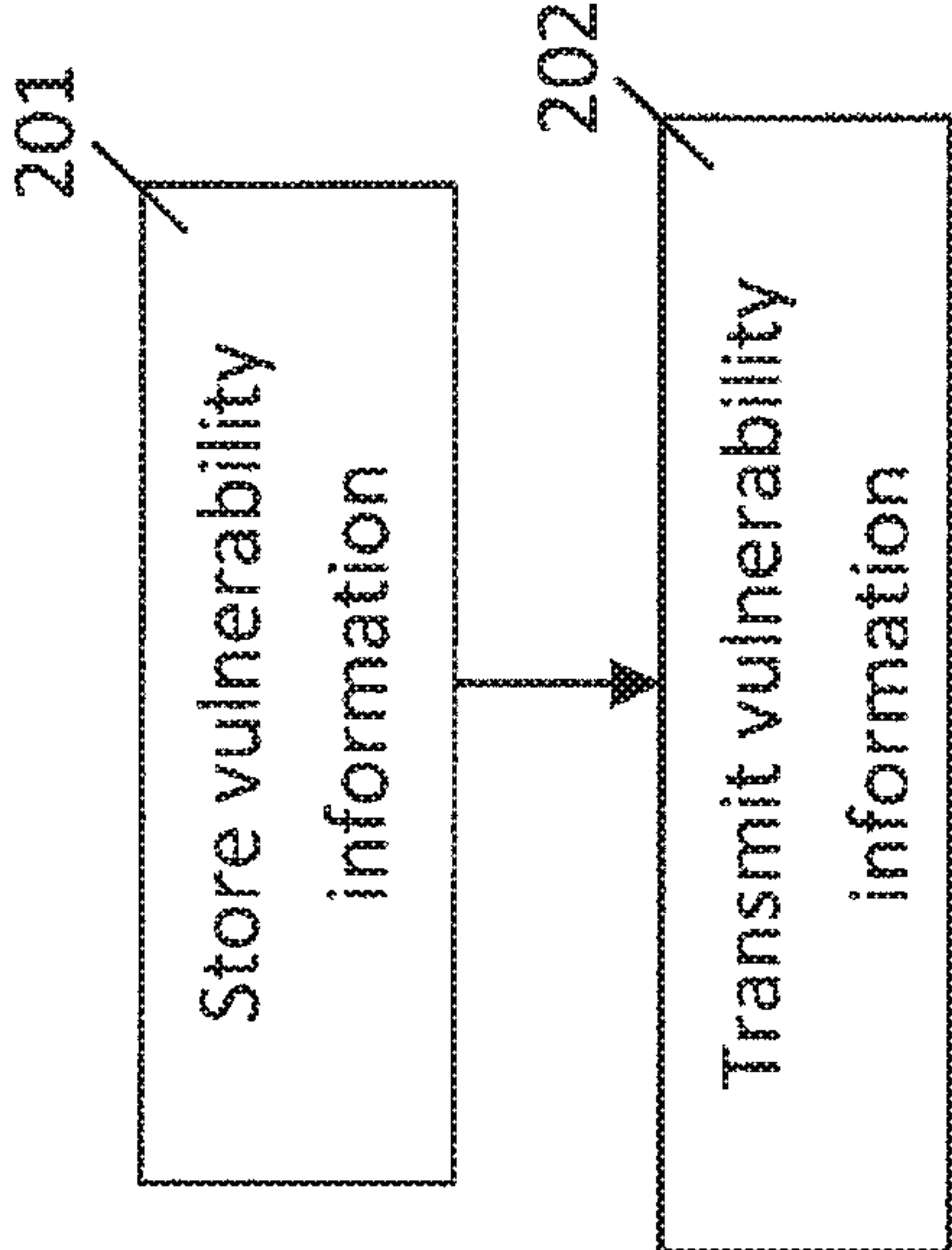


FIG. 2

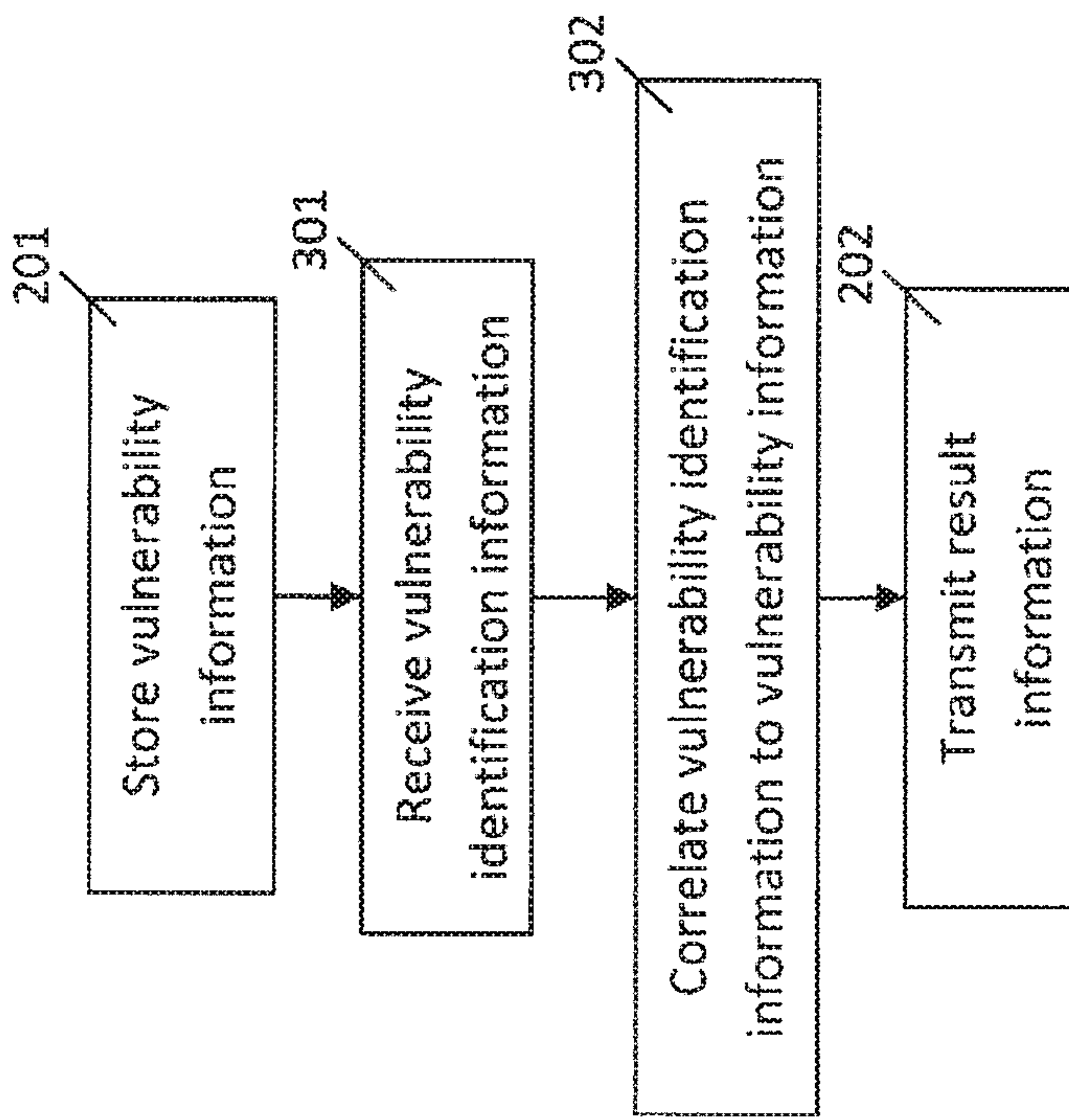


FIG. 3

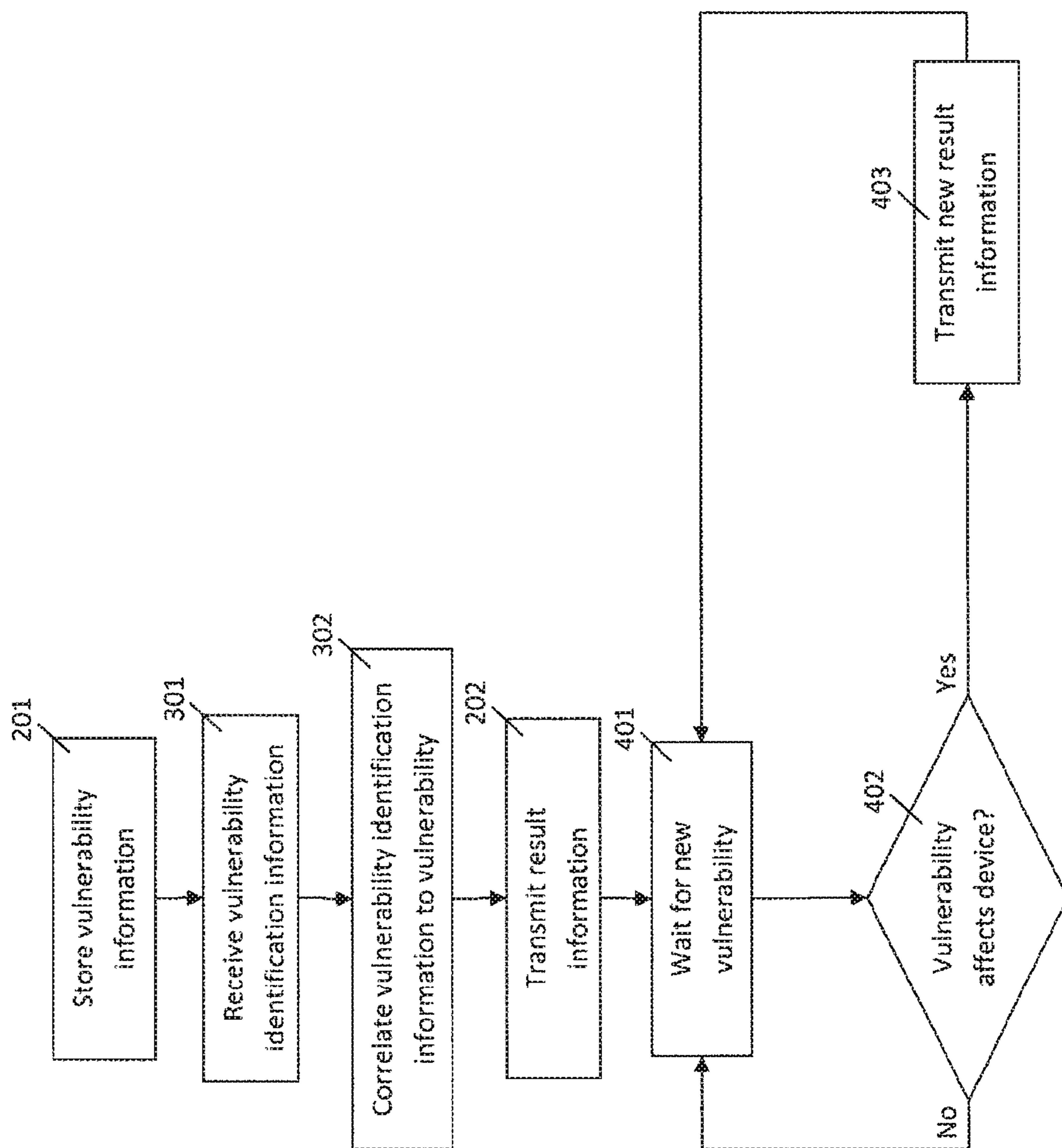


FIG. 4

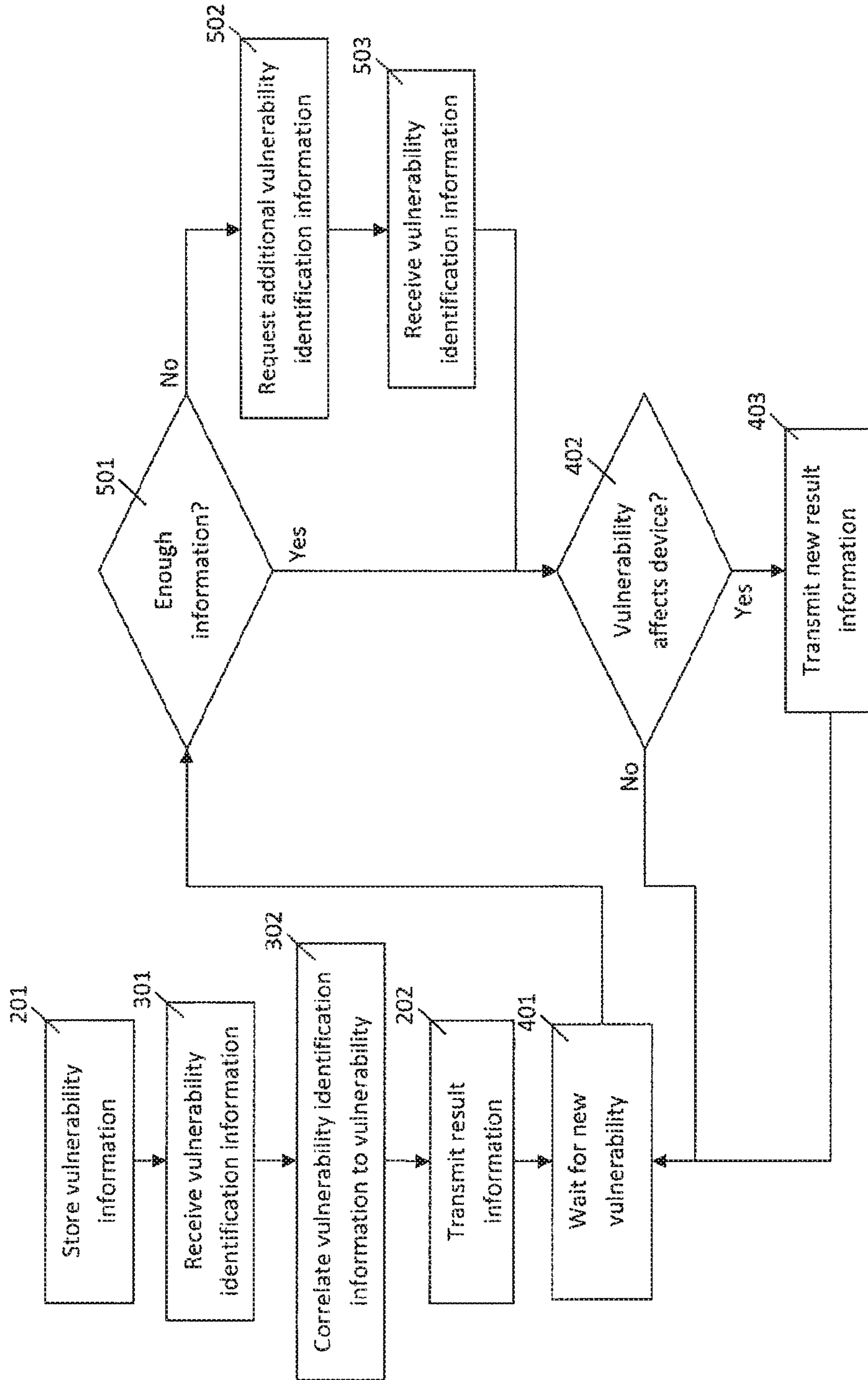


FIG. 5

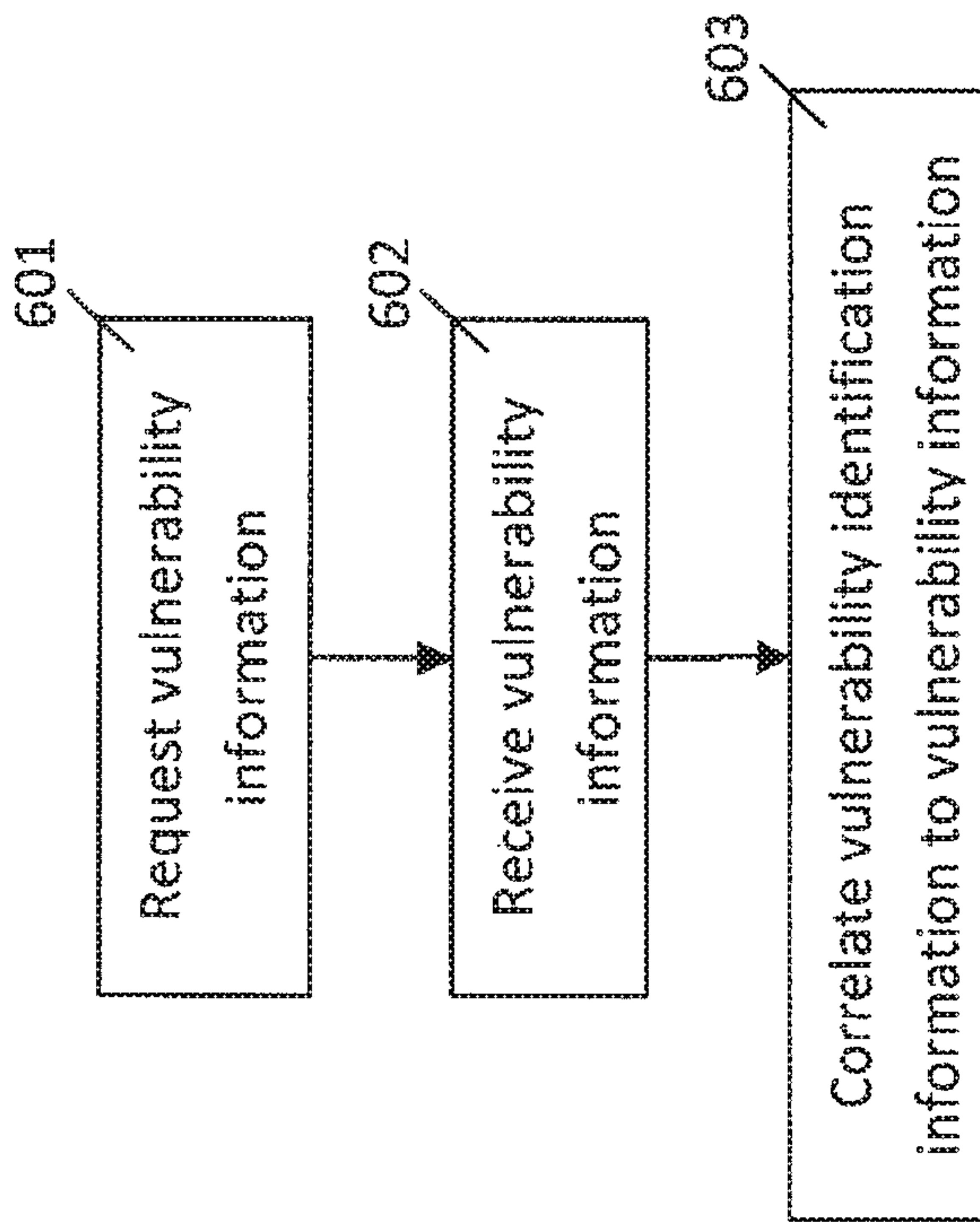


FIG. 6

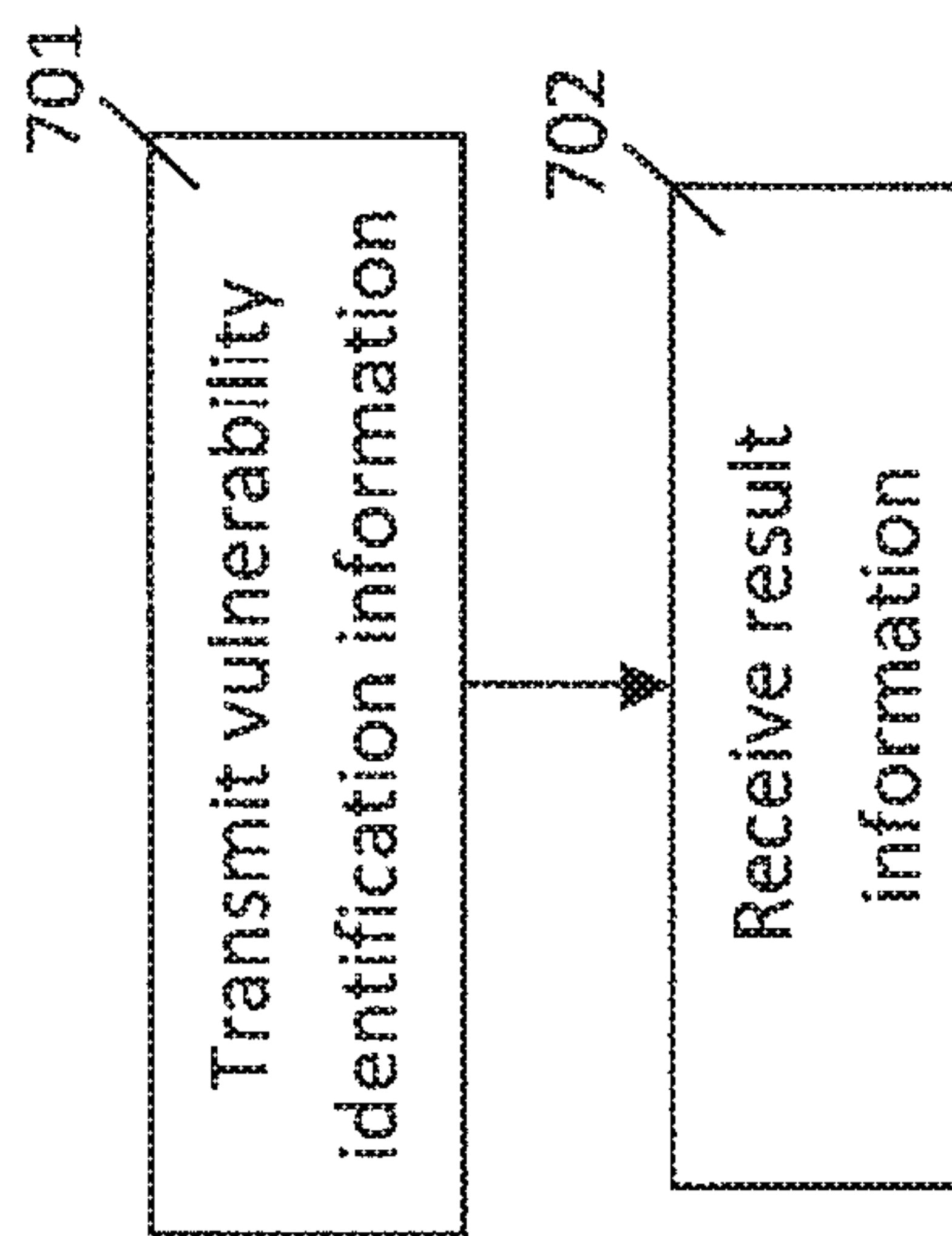


FIG. 7

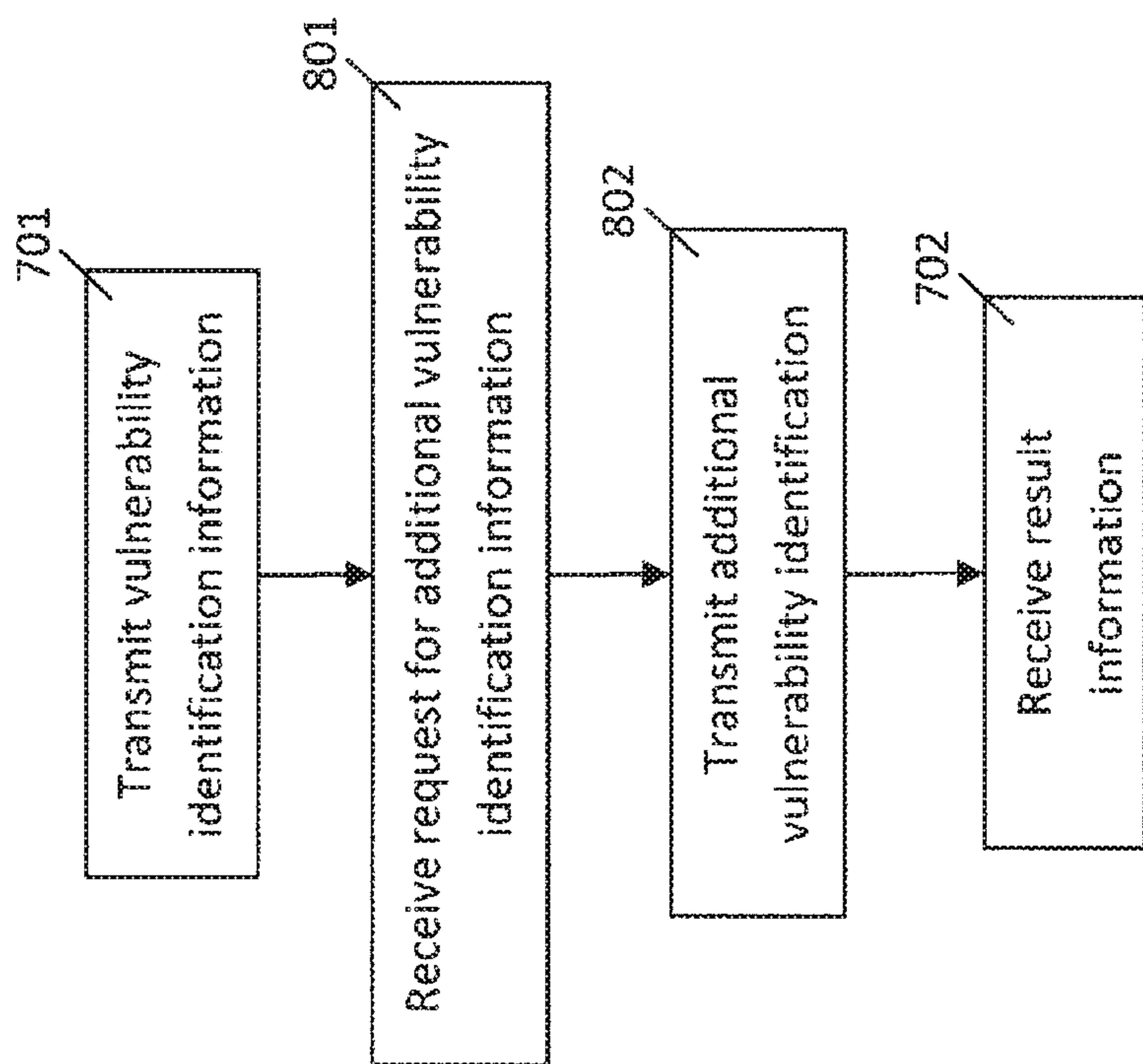


FIG. 8

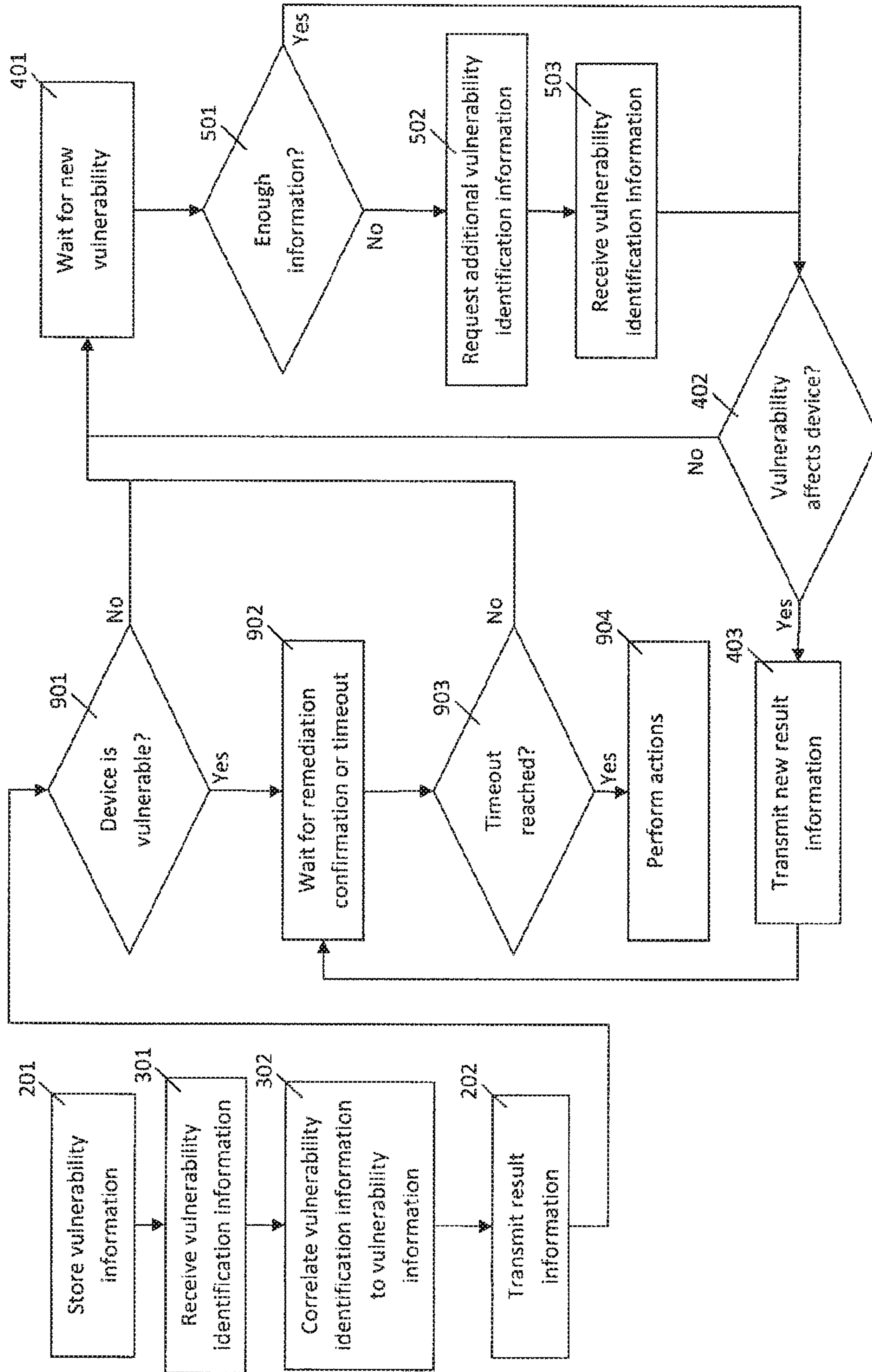


FIG. 9

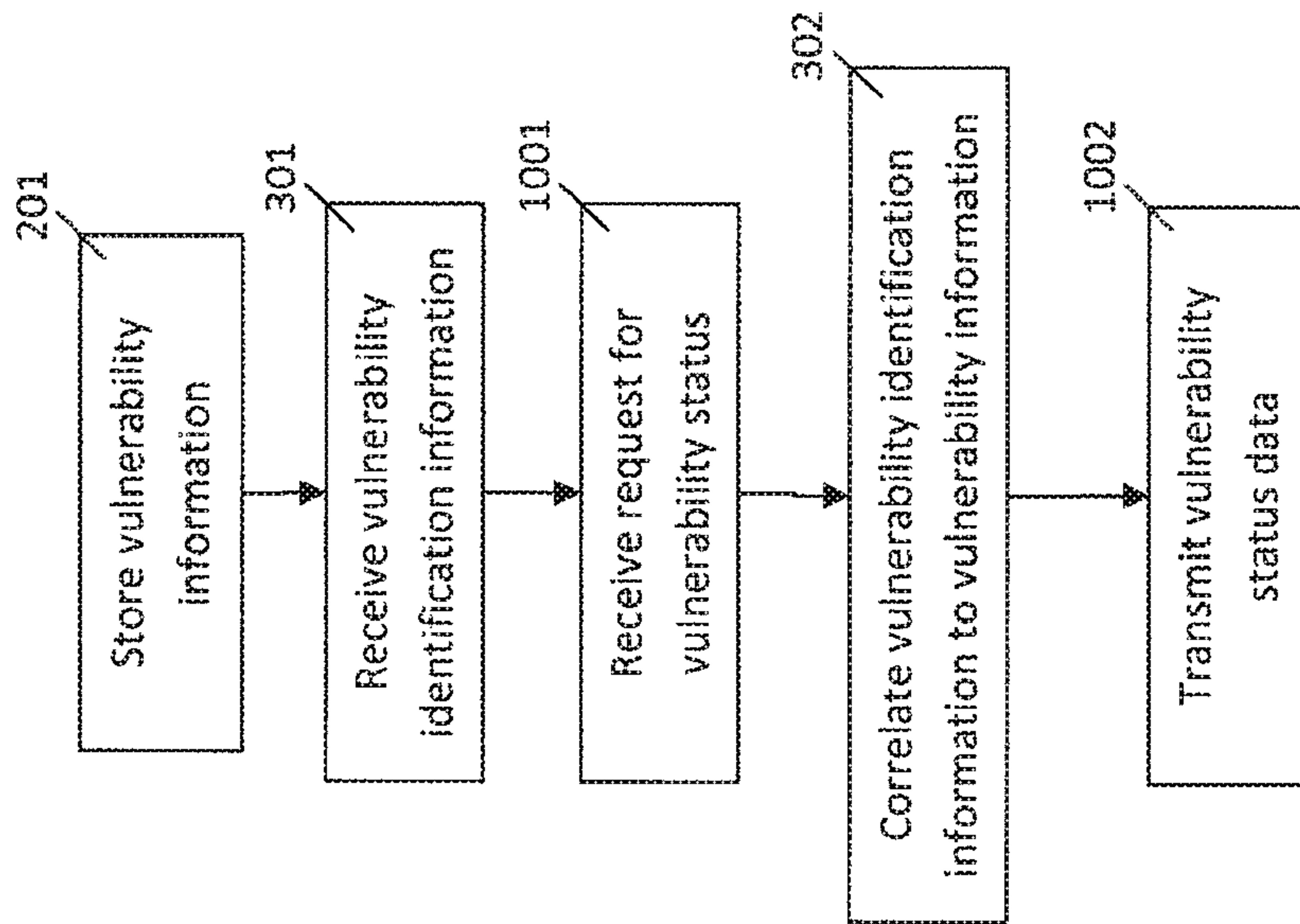


FIG. 10

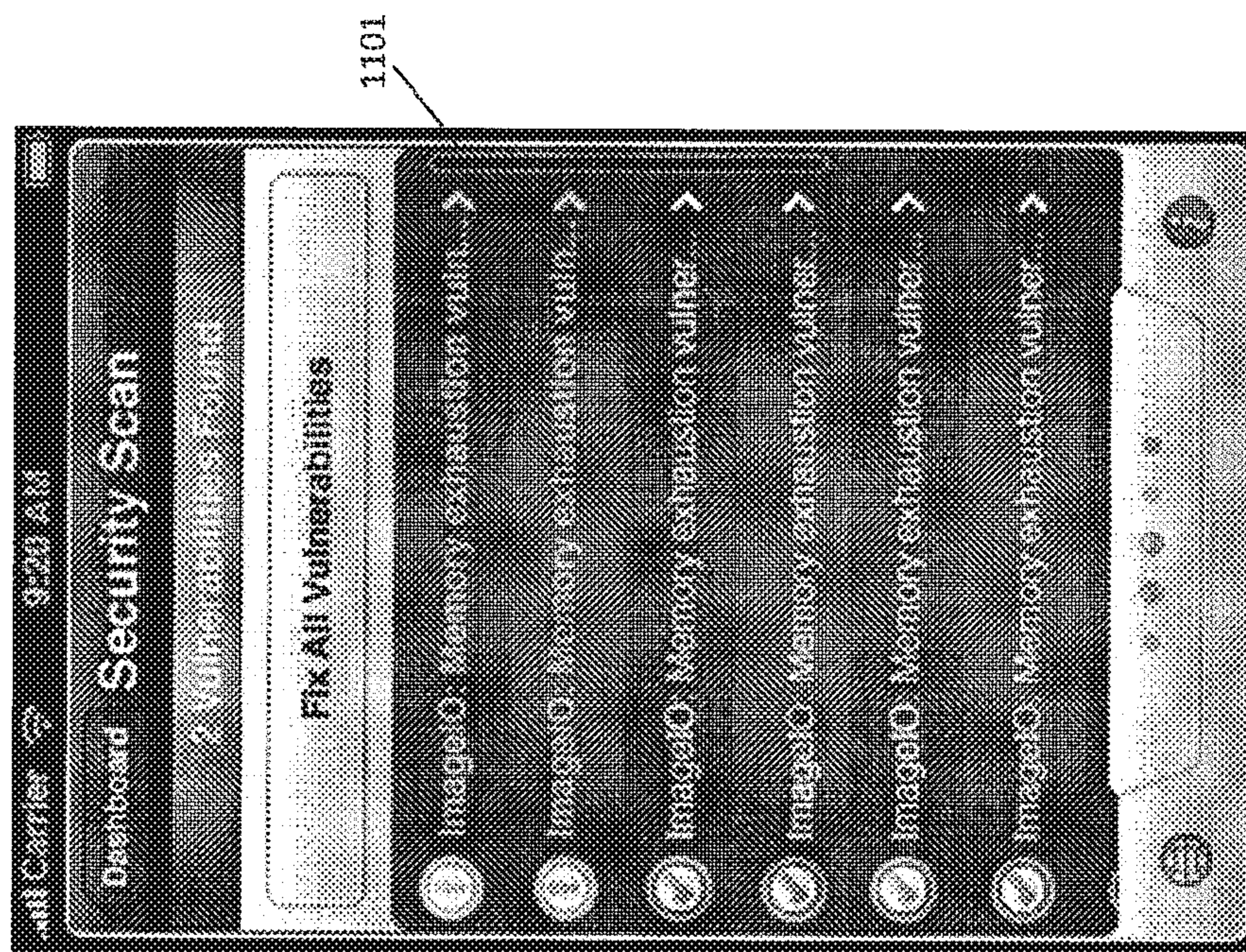


FIG. 11

1

**SYSTEM AND METHOD FOR IDENTIFYING
AND [ASSESSING] REMEDIATING
VULNERABILITIES ON A MOBILE
COMMUNICATIONS DEVICE**

Matter enclosed in heavy brackets [] appears in the original patent but forms no part of this reissue specification; matter printed in italics indicates the additions made by reissue; a claim printed with strikethrough indicates that the claim was canceled, disclaimed, or held invalid by a prior post-patent action or proceeding.

This is an application for reissue of U.S. Pat. No. 8,397,301 B2, and is a continuation of application Ser. No. 15/898,124, which is also an application for reissue of U.S. Pat. No. 8,397,301 B2, and is a continuation of application Ser. No. 14/109,725, which is also an application for reissue of U.S. Pat. No. 8,397,301 B2.

FIELD

The invention relates generally to mobile security, and specifically, to assessing the vulnerability of a mobile communication device.

BACKGROUND

Mobile communication devices or mobile devices, such as cellular telephones, smartphones, wireless-enabled personal data assistants, and the like, are becoming more popular as cellular and wireless network providers are able to expand coverage and increase bandwidth. Mobile devices have evolved beyond providing simple telephone functionality and are now highly complex multifunctional devices with capabilities rivaling those of desktop or laptop computers. In addition to voice communications, many mobile devices are capable of text messaging, e-mail communications, internet access, and the ability to run full-featured application software. Mobile devices can use these capabilities to perform online transactions such as banking, stock trading, payments, and other financial activities. Furthermore, a mobile device used by an individual, a business, or a government agency can often store confidential or private information in forms such as electronic documents, text messages, access codes, passwords, account numbers, e-mail addresses, personal communications, phone numbers, and financial information.

In turn, it is more important to protect those devices against malware, malicious attacks and other exploits. Specifically, it would be helpful to be able to identify vulnerabilities for a mobile communication device, so that the user of the mobile communication device can be alerted if his or her device suffers from any exploitable weaknesses. It is also important for an organization that relies on mobile devices to understand the state of their security and be able to respond to vulnerabilities on mobile devices in an efficient and effective manner.

Presently, current solutions for assessing the vulnerabilities of a computer on a network focus on a conventional desktop, laptop, server, or other computing devices that often enjoy more processing power and memory than a mobile communication device and generally have less restricted application environments than a mobile communication device. As such, these computing devices can often include local monitoring services that can run in the back-

2

ground without overly taxing valuable computing resources. In addition, conventional computing devices are often consistently tethered to a particular local network, such that devices can be remotely scanned over the local network for security weaknesses. Mobile communication devices, on the other hand, are often connected to public networks and switch between networks and network types, making remote, network-based security scans undesirable.

What is therefore needed is a way to provide similar protective services for mobile communication devices in a manner that does not overly tax resources on the mobile communication device, and that extends protective services even when the mobile communication device is not connected to a particular network or is not connected to any network.

There are many differences between mobile communication devices (e.g. operating systems, hardware capabilities, software configurations) that make it difficult to have a single system for accurately assessing the vulnerability of multiple types of devices. Additionally, many mobile communication devices are able to accept installation of various third-party software applications or “apps” that have been developed to extend the capabilities of the device. The installation of apps can alter the vulnerability state of a device, since each app may alter how and with which networks the mobile device communicates. What is therefore needed is a way to assess vulnerabilities of a mobile communication device that accounts for differences such as the operating system, the make, model, configuration, or any installed software on the mobile device. Also needed is a way for a user or administrator to view the security status of, remediate, and otherwise assess and manage the security of multiple different mobile communication devices.

BRIEF DESCRIPTION OF THE FIGURES

The invention is illustrated by way of example and not limitation in the figures of the accompanying drawings, in which like references indicate similar elements, and in which:

FIG. 1 is an exemplary block diagram depicting an embodiment of the invention.

FIG. 2 is an exemplary flow diagram illustrating the steps of an embodiment of the invention.

FIG. 3 is an exemplary flow diagram illustrating the steps of an embodiment of the invention.

FIG. 4 is an exemplary flow diagram illustrating the steps of an embodiment of the invention.

FIG. 5 is an exemplary flow diagram illustrating the steps of an embodiment of the invention.

FIG. 6 is an exemplary flow diagram illustrating the steps of an embodiment of the invention.

FIG. 7 is an exemplary flow diagram illustrating the steps of an embodiment of the invention.

FIG. 8 is an exemplary flow diagram illustrating the steps of an embodiment of the invention.

FIG. 9 is an exemplary flow diagram illustrating the steps of an embodiment of the invention.

FIG. 10 is an exemplary flow diagram illustrating the steps of an embodiment of the invention.

FIG. 11 is an exemplary screenshot illustrating an embodiment of the invention.

DETAILED DESCRIPTION

The invention is a system and a method for identifying, assessing, and responding to vulnerabilities on or affecting

a mobile communication device. As will be discussed further below, a mobile communication device may transmit certain information to a server, and the server may transmit certain result information to the device that contains an assessment or identifies known or potential vulnerabilities affecting the device. Additionally or alternatively, the server may transmit notifications about possible or actual vulnerabilities affecting a mobile communication device, which may include instructions for remediating any vulnerabilities identified as affecting the mobile communication device. Furthermore, the server may host a management console that allows an administrator to view the security status of multiple mobile communication devices and take action to secure them if necessary.

It should be appreciated that the invention can be implemented in numerous ways, including as a process, an apparatus, a system, a device, a method, a computer readable medium such as a computer readable storage medium containing computer readable instructions or computer program code, or as a computer program product comprising a computer usable medium having a computer readable program code embodied therein. One will appreciate that the mobile communication device described herein may include any computer or computing device running an operating system for use on handheld or mobile devices, such as smartphones, PDAs, mobile phones and the like. For example, a mobile communication device may include devices such as the Apple iPhone®, the Palm Pre™, or any device running the Android™ OS, Symbian OS®, Windows Mobile® OS, Palm OS® or Palm Web OS™.

In the context of this document, a computer usable medium or computer readable medium may be any medium that can contain or store the program for use by or in connection with the instruction execution system, apparatus or device. For example, the computer readable storage medium or computer usable medium may be, but is not limited to, a random access memory (RAM), read-only memory (ROM), or a persistent store, such as a mass storage device, hard drives, CDROM, DVDROM, tape, erasable programmable read-only memory (EPROM or flash memory), or any magnetic, electromagnetic, infrared, optical, or electrical system, apparatus or device for storing information. Alternatively or additionally, the computer readable storage medium or computer usable medium may be any combination of these devices or even paper or another suitable medium upon which the program code is printed, as the program code can be electronically captured, via, for instance, optical scanning of the paper or other medium, then compiled, interpreted, or otherwise processed in a suitable manner, if necessary, and then stored in a computer memory.

Applications, software programs or computer readable instructions may be referred to as components or modules. Applications may be hardwired or hard coded in hardware or take the form of software executing on a general purpose computer such that when the software is loaded into and/or executed by the computer, the computer becomes an apparatus for practicing the invention. Applications may also be downloaded in whole or in part through the use of a software development kit or toolkit that enables the creation and implementation of the invention. In this specification, these implementations, or any other form that the invention may take, may be referred to as techniques. In general, the order of the steps of disclosed processes may be altered within the scope of the invention.

FIG. 1 is a block diagram illustrating an embodiment of a system for identifying and assessing vulnerabilities on a

mobile communication device. In an embodiment, the system may include one or more mobile communication devices **101** connected on a cellular, wireless Internet or other network **121**. One or more servers **151** may also have access to network **121**. The one or more servers **151** may receive one or more sets of vulnerability identification information from the one or more mobile communication devices **101**, and/or may transmit one or more sets of result information to the one or more mobile communication devices **101**. In addition, the one or more servers **151** may have access to a data storage **111** that stores information about mobile communication device vulnerabilities. One will appreciate that data storage **111** may be a database, data table, file system or other memory store. Data storage **111** may be hosted on any of the one or more servers **151**, or may exist externally from the one or more servers **151**, so long as the one or more servers **151** have access to data storage **111**. One will also appreciate that the configuration of the system illustrated in FIG. 1 is merely exemplary, and that other configurations are possible without departing from this disclosure or the scope of the invention. For example, servers **151** or data storage **111** may be singular or plural, or may be physical or virtualized.

One will appreciate that communication between mobile communication device **101** and server **151** may utilize a variety of networking protocols and security measures. In an embodiment, server **151** operates as an HTTP server and the device **101** operates as an HTTP client. To secure the data in transit, mobile communication device **101** and server **151** may use Transaction Layer Security (“TLS”). Additionally, to ensure that mobile communication device **101** has authority to access server **151**, and/or to verify the identity of mobile communication device **101**, device **101** may send one or more authentication credentials to server **151**. For example, authentication credentials may include a username and password or any other data that identifies mobile communication device **101** to server **151**. Authentication may allow server **151** to store specific information, such as vulnerability identification information, about mobile communication device **101**, and may also provide a persistent view of the security status of mobile communication device **101**.

As previously mentioned, data storage **111** may be used to store sets of information about mobile communication device vulnerabilities (“vulnerability information”), which may be transmitted in whole or in part to one or more mobile communication devices in the form of “result information.” As used herein, a vulnerability may include an exploitable weakness on a mobile communication device that may result from the device hardware or software. Vulnerabilities may arise due to weaknesses in the device’s operating system, other software or hardware flaws in the device, protocol implementation or specification flaws, misconfiguration of the device, software applications installed or stored on the device, or services provided through, to or by the device. Vulnerabilities may arise from the features of the device, such as from the presence of Bluetooth, infrared or Internet capabilities on the device, or other communication interfaces and protocols available on the device. Vulnerabilities may arise from weaknesses in the device’s interaction with, flaws in, or misconfiguration of other services and systems such as text messaging, voice mail, telephony, or other services and systems accessed through a mobile communication device. Information about a vulnerability, i.e., vulnerability information, may be stored in data storage **111** and accessed by server **151** or mobile communication device **101**. Data storage **111** may store general information about

5

mobile communication device vulnerabilities, or may store information about vulnerabilities specific to a mobile communication device. As will be discussed further below, sets of vulnerability information corresponding to vulnerabilities that could affect or actually affect the mobile communication device may be transmitted in the form of result information, notifications, or both.

One will appreciate that as used herein, vulnerability information may include the name, description, severity rating, security impact summary and remediation instructions for a vulnerability. Vulnerability information may be included in the result information server **151** transmits to mobile communication device **101** or may be stored in data storage **111**. Result information may include a list of vulnerabilities that are known to affect mobile communication device **101**, a list of potential vulnerabilities that may affect mobile communication device **101**, and a list of vulnerabilities that are known not to affect mobile communication device **101**. Each entry in a list of vulnerabilities may include some or all of the set of vulnerability information for a vulnerability. As will be discussed in more detail below, the result information may also include a binary assessment of mobile communication device **101** (e.g., good or bad, “okay” or “not okay”), a threat score, remediation instructions for known or potential vulnerabilities, or may instruct display of a graduated icon that changes depending upon state (a sad face for a vulnerable mobile communication device, to a happy face for a “safe” mobile communication device). Vulnerability information may include criteria for determining if a mobile communication device **101** is affected. In an embodiment, vulnerability information may include information about a vulnerability such as a title, a description, a security impact summary, human or computer readable remediation instructions or a severity rating for the vulnerability.

As used herein, “vulnerability identification information” or “identification information” includes data that server **151** may use to determine if mobile communication device **101** is susceptible to any vulnerabilities. Such vulnerability identification information may include the operating system and version for mobile communication device **101**; the firmware version of the mobile communication device **101**, the device model for mobile communication device **101**; carrier information for mobile communication device **101**; authentication information; and/or user information for the user of mobile communication device **101**. Vulnerability identification information may also include a list of files, software components, libraries and/or a list of the applications or other software installed on mobile communication device **101**, as well as other information related to these applications and software such as version and configuration information, configuration information about the mobile communication device **101**, communications interfaces and protocols in use by mobile communication device **101** (e.g., WiFi, Bluetooth, IR, SMS, MMS), cellular network information, cellular carrier information, the make and model of mobile communication device **101**, and the like.

In an embodiment, vulnerability information stored in data storage **111** may have associated information that includes a description, a title, an overview of the security impact, remediation instructions, and criteria for affected firmware versions. In an embodiment, mobile communication device **101** sends vulnerability identification information to server **151** that includes the device’s firmware version. Server **151** may utilize data storage **111** to examine the vulnerability information stored therein and determine if the firmware version for mobile communication device **101**

6

matches the firmware version criteria for any vulnerabilities. If any vulnerabilities match, server **151** may determine that mobile communication device **101** is vulnerable. Server **151** may then transmit result information to the mobile communication device **101**, as described herein and shown in the Figures. In an embodiment, server **151** only transmits result information corresponding to vulnerabilities that affect mobile communication device **101**. In an embodiment, server **151** transmits result information for all vulnerabilities that may affect device **101**. In an embodiment, server **151** transmits result information which contains all vulnerabilities that may affect device **101** and which of those vulnerabilities actually do affect device **101**. In an embodiment, the firmware version criteria for being affected by a vulnerability includes the version of the firmware in which the vulnerability was fixed. One will appreciate that some vulnerabilities may only affect certain firmware versions, and that once firmware has been updated to a new version, some vulnerabilities which affected previous versions may no longer be of issue. In order to account for variations in firmware, server **151** may detect and transmit information for vulnerabilities regardless of the firmware version on mobile communication device **101**, thereby adding extra precautions. Alternatively, server **151** may only send result information for those vulnerabilities that affect the version of firmware installed on mobile communication device **101**, thereby being more specific.

For example, a certain vulnerability may affect a mobile communication device having firmware version 1.0, but not a mobile communication device with firmware version 2.0. Server **151** may receive information about the firmware version of mobile communication device **101**, and if the firmware version is earlier than version 2.0, then mobile communication device **101** is determined to be susceptible to the certain vulnerability. However, if the firmware version for mobile communication device **101** is 2.0 or higher, then mobile communication device **101** may not be susceptible to the certain vulnerability. One will appreciate that other variations are possible, and that the determination of whether to send more or less result information may be a setting specified by an administrator, or may involve the application of logic depending upon the severity of the vulnerability and the risks or benefits of transmitting an overabundance of result information to mobile communication device **101**. One will also appreciate that the amount of result information to transmit to mobile communication device **101** may also depend upon the capabilities of mobile communication device **101** or the bandwidth of the network.

In an embodiment, data storage **111** stores vulnerability information for at least two types of mobile devices **101**. The two mobile device types may have different operating systems, firmware versions, model numbers, carrier information, authentication information, user information, configuration information, states, software applications, and the like. As a result, the vulnerability identification information for each of the at least two mobile devices will differ in some aspect. As such, in an embodiment, data storage **111** may store vulnerability information for vulnerabilities that may affect both of the two device types, including vulnerabilities that may affect one device type but not the other. One will appreciate that data storage **111** may store vulnerability information for a variety of mobile communication devices, and will be able to provide information that will help identify, assess and remediate vulnerabilities for a variety of mobile communication devices.

When data storage **111** stores information about vulnerabilities that may affect multiple types of mobile commu-

nication devices, it is important that the transmitted result information not include information regarding vulnerabilities that a user may perceive as irrelevant to a particular device. As such it is important that the list of vulnerabilities that may affect a device not simply include all vulnerabilities stored by data storage **111**. In an embodiment, a vulnerability may affect a device if the device's vulnerability identification information at least partially matches the vulnerability's criteria for affecting a device. Providing partially matching result information provides a conservative, or safer approach to detecting and identifying potential vulnerabilities, as it may provide a opportunity for further assessment and action (e.g. further analysis conducted by software on a device), rather than only providing full criteria matches.

In an embodiment, the partial match includes criteria related to a device that does not change, is unlikely to change, or is irrespective of particular software versions, firmware versions, updates, and configuration. Such criteria may include the device's operating system, model, carrier, software applications installed, hardware capabilities, and the like. For example, data storage **111** may store information about a vulnerability that affects a particular range of firmware versions of the Apple iPhone® OS. This vulnerability information may include criteria that it affects the Apple iPhone® OS and criteria that it affects specific firmware ranges of various device models. In an embodiment, the server **151** determines that the vulnerability does affect all devices running Apple iPhone® OS that match the vulnerability information's firmware version criteria, the vulnerability may affect devices running any firmware version containing Apple iPhone® OS, and the vulnerability may not affect any devices running Android™, Windows Mobile®, Symbian OS®, or other operating systems. One will appreciate that other methods of determining what vulnerabilities stored by data storage **111** may affect a device may be performed without departing from the scope of this disclosure.

FIGS. 2-10 are exemplary flow diagrams depicting various process embodiments. One will appreciate that the following figures and processes are merely exemplary, and that the invention may perform other processes without departing from the scope of this disclosure. One will also appreciate that unless otherwise stated, the performance of the steps in the disclosed processes are not constrained by time. The time between two successive steps may differ from the time between two other successive steps. Additionally, the time to perform each step may differ each time a step is performed. One will also appreciate that the amount of information as described herein is referred to as a "set of information" or a plurality of sets of information. A set of information may include at least one quanta, data point or other quantifiable amount of information, but is not designed to limit or constrain the amount of information discussed herein. In an embodiment, a set of vulnerability information may include multiple pieces of information that relate to a given vulnerability, such as a title, a description, a threat rating, and criteria for the vulnerability to affect a device. In an embodiment, a set of result information may include a security status for a device, and a list of vulnerabilities that the device is vulnerable to, each entry in the list comprising a set of vulnerability information.

FIG. 2 depicts an embodiment in which vulnerability information is transmitted to mobile communication device **101**. In block **201**, data storage **111** stores a plurality of sets of vulnerability information related to one or more mobile communication devices **101**. In block **202**, vulnerability information is transmitted to at least one mobile communi-

cation device **101** over network **121**. One will appreciate that the transmission of vulnerability information to the at least one mobile communication device **101** may be controlled by server **151** having access to data storage **111**. One will also appreciate that in block **202**, the transmitted vulnerability information may also be termed result information.

FIG. 3 depicts an embodiment in which result information is transmitted to mobile communication device **101** after server **151** receives vulnerability identification information from mobile communication device **101**. One will appreciate that the process illustrated in FIG. 3 and described herein may be performed in addition to any of the processes disclosed herein, or may be performed separately from any of the processes disclosed herein. In block **201**, data storage **111** stores a plurality of sets of vulnerability information related to one or more mobile communication devices **101**. In block **301**, server **151** receives vulnerability identification information from at least one mobile communication device **101**. In block **302**, server **151** correlates the received set of vulnerability identification information to at least one of the plurality of sets of vulnerability information to generate a set of result information which contains information about vulnerabilities that affect or may affect the at least one mobile communication device **101**. This may include accessing data storage **111** by server **151**. In block **202**, result information is transmitted to at least one mobile communication device **101** over network **121**.

In an embodiment, the scope or type of result information transmitted by server **151** may be general information, or may be specific information about vulnerabilities that may specifically affect mobile communication device **101**. As such, the result information transmitted to device **101** may include all of the vulnerability information stored in data storage **111**, or may include a subset of all of the vulnerability information stored in data storage **111**. The option to transmit general or specific result information may be an option set by an administrator, may depend upon the hardware or software constraints of the mobile communication device, or may depend upon the bandwidth of the network connecting server **151** to mobile communication device **101**.

In an embodiment, determining which vulnerabilities specifically affect mobile communication device **101** may involve correlating the vulnerability identification information provided by mobile communication device **101** to the vulnerability information available to server **151**. As used herein, "correlating" vulnerability identification information to vulnerability information may involve determining whether the vulnerability described by the vulnerability information affects a device, whether it may affect a device, or whether it does not affect a device. Determinations may be made through a variety of methods, including matching vulnerability identification information with vulnerability information and determining whether identification information satisfies one or more criteria for vulnerability. Correlating may be performed by server **151** and/or data storage **111**, and may include applying logic, comparing operating systems, comparing version identifiers, checking for the presence of specific software or other data on the mobile communication device, and the like. In an embodiment, correlating may utilize an identification of the hardware or specifications of the mobile communication device. In an embodiment, correlating may also be performed by mobile device **101**.

FIG. 4 is directed to a process in which data storage **111** is updated with new vulnerability information that may be transmitted as a new or second set of result information to affected mobile communication devices **101**. As will dis-

cussed in more detail below, this process may include the transmission of one or more notifications. One will appreciate that the process illustrated in FIG. 4 and described herein may be performed in addition to any of the processes disclosed herein, or may be performed separately from any of the processes disclosed herein. In block 201 of FIG. 4, data storage 111 stores a plurality of sets of vulnerability information related to one or more mobile communication devices 101. In block 301 of FIG. 4, server 151 receives identification information for one of the one or more mobile communication devices 101. In an embodiment, server 151 stores this identification information in data storage 111. This stored information may be used in block 402 (discussed below) to determine if a newly received vulnerability affects devices 101. In an embodiment, the data is used to present a status or administrative interface for the device. One will appreciate that storing vulnerability identification received by server 151 may apply to the other processes as well. For example, any time server 151 receives vulnerability identification information, the server 151 may store the information for use in generating and transmitting user interfaces (e.g. web interfaces) or identifying whether a vulnerability affects a device 101 while the device 101 is not connected to server 151.

In block 302 of FIG. 4, server 151 performs a correlating step to identify vulnerabilities that affect or may affect the mobile communication device 101, which may include accessing data storage 111 by server 151. As a result of correlating step in block 302, server 151 may generate a set of result information. In block 202 of FIG. 4, the set of result information is transmitted to the affected mobile communication device 101 over network 121. In block 401, server 151 or data storage 111 waits for and receives new vulnerability information. One will appreciate that there may not be a set time interval as to when block 401 is performed. After new vulnerability information is received, server 151 makes a determination whether the newly received vulnerability information affects any known mobile communication device 101 having access to server 151 or data storage 111 (block 402). In an embodiment, the determination in block 402 may use the same method for determining if a vulnerability affects a device 101 as in the correlating block 302; however, instead of identifying which vulnerabilities affect a given device 101, the server 151 may identify which devices 101 are affected by the newly received vulnerability. In an embodiment, the server 151 determines which devices are vulnerable to the newly received vulnerability by correlating vulnerability identification information for each device stored in data storage 111 to the vulnerability criteria for the newly received vulnerability. If the new vulnerability information does affect any of the mobile communication devices 101 having access to server 151 or data storage 111, then in block 403, server 151 transmits a notification of the new vulnerability or transmits information about the new vulnerability to the affected mobile communication devices 101. If the new vulnerability information does not affect any of the mobile communication devices 101 having access to server 151 or data storage 111, then server 151 or data storage 111 will wait until new relevant vulnerability information is received (block 401).

Server 151 may transmit a notification to mobile communication device 101 via a variety of mechanisms. A notification may be sent via email, text messaging, or through a client-server communication system as described in U.S. patent application Ser. No. 12/372,719, entitled, "SYSTEM AND METHOD FOR REMOTELY SECURING OR RECOVERING A MOBILE DEVICE," and incor-

porated in full herein. A notification may provide information about a vulnerability, information about a potential vulnerability, the status of a mobile communication device, information about remediation instructions, or may request that the user of an affected mobile communication device perform some action to update the vulnerability information on the mobile communication device, or perform some action to remediate the mobile communication device.

In an embodiment, a notification may contain information or an instruction indicating that the mobile communication device 101 needs to connect to server 151 in order to receive new vulnerability information. The notification may be directed to software resident on the mobile communication device 101, may include software readable remediation instructions, and may be in the form of an SMS or may be sent via a push notification service, such as that provided by Apple Computer Inc. to its iPhone® devices. For example, mobile communication device 101 may receive a notification with instructions that the device should be updated to protect against a new security risk. A specific application on the device may require an update, in which case the notification may also cause mobile communication device 101 to update the specific application without user intervention. In an embodiment, a notification may be directed to the user of the mobile communication device. This may include a text message, push notification, or e-mail message containing human-readable information, or a voicemail or other verbal communication directed to the user of mobile communication device 101. Notifying a mobile communication device 101 allows for rapid response to new vulnerabilities, thereby greatly increasing the effectiveness of systems that would otherwise rely on a scheduled or manually-initiated check for security vulnerabilities.

FIG. 5 illustrates an embodiment in which server 151 may require additional information about a mobile communication device 101 in order to confirm whether a vulnerability affects mobile communication device 101. One will appreciate that the process illustrated in FIG. 5 and described herein may build upon any of the processes discussed herein, or may be performed independently of any of the other processes discussed herein. In block 201 of FIG. 5, data storage 111 stores a plurality of sets of vulnerability information related to one or more mobile communication devices 101. One will appreciate that data storage 111 may be accessed by server 151. In block 301 of FIG. 5, server 151 receives identification information for a mobile communication device 101. In block 302 of FIG. 5, server 151 correlates the received identification information to the stored plurality of sets of vulnerability information to determine which vulnerabilities affect or may affect the mobile communication device 101, which may include accessing data storage 111 by server 151. Server 151 generates a set of result information that in block 202 of FIG. 5 is transmitted to the mobile communication device 101 over network 121.

In block 401 of FIG. 5, server 151 or data storage 111 waits for and receives new vulnerability information. In block 501, server 151 assess whether there is enough information to determine which mobile communication devices may be affected by the newly received vulnerability information. If there is not enough information, then in block 502, server 151 will request additional vulnerability identification information from one or more mobile communication devices 101, and will then receive the additional information from the one or more mobile communication devices 101 in block 503. One will appreciate that the request in block 502 may utilize notification mechanisms such as those described above or may be performed the next time the

11

mobile communication device **101** connects to the server **151**. Once the additional information is received, server **151** may make a determination whether the newly received vulnerability information affects any of the one or more mobile communication devices **101** having access to server **151** or data storage **111** (block **402**). If the new vulnerability information does affect any of the one or more mobile communication devices **101** having access to server **151** or data storage **111**, then in block **403** of FIG. **5**, the server **151** will transmit a notification of the new vulnerability to the affected mobile communication devices **101**, or may transmit an updated, new or second set of result information regarding the new vulnerability. If the new vulnerability information does not affect any of the mobile communication devices **101** having access to server **151** or data storage **111**, then server **151** or data storage **111** may wait until new relevant vulnerability information is received (block **401** of FIG. **5**).

One will appreciate that the process illustrated in FIG. **5** includes a situation in which server **151** receives operating system information from a mobile communication device **101**. In an embodiment, this information is stored by server **151** in data storage **111** or other accessible storage. Later, after receiving new vulnerability information, server **151** may determine that based on the stored operating system information for mobile communication device **101**, the vulnerability could affect mobile communication device **101**. However, server **151** may require additional identification information from mobile communication device **101** in order to determine whether the device is actually affected. Server **151** may request additional configuration information from mobile communication device **101**. Server **151** will receive the requested identification information and then sends accurate vulnerability information to the device **101**.

FIG. **6** is directed to a process in which a mobile communication device **101** having access to server **151** or data storage **111** requests vulnerability information from server **151**. In block **601**, mobile communication device **101** transmits a request to server **151** for vulnerability information over network **121**. In block **602**, mobile communication device **101** receives vulnerability information from server **151**. One will appreciate that server **151** may access data storage **111** in order to gather and transmit the vulnerability information. In block **603**, mobile communication device **101** correlates the received vulnerability information to its own identification information, and makes a determination whether any of the received vulnerability information is relevant to the mobile communication device **101**. In this embodiment, vulnerability information processing may thereby be performed by the mobile communication device **101**. In an embodiment, both mobile communication device **101** and server **151** perform processing on vulnerability information. For example, the server **151** may send vulnerability information to mobile communication device **101** based on the operating system of mobile communication device **101**. In an embodiment, server **151** may use information sent by device **101** (e.g. HTTP header information) in the request **601** or information stored in data storage **111** to determine the operating system of the device **101**. The mobile communication device may then use additional information such as the applications installed on the device, configuration information, and the versions of software libraries to perform additional processing, correlating or analysis on the received vulnerability information. One will appreciate that a vulnerability may be rated as severe if the device's configuration makes the vulnerability exploitable by remote parties; however, the vulnerability may be rated

12

as less severe if the device's configuration leaves the vulnerability as not remotely exploitable.

FIG. **7** is any exemplary flowchart of a process in which a mobile communication device **101** transmits vulnerability identification information to server **151** (block **701**), and in response, received result information on (block **702**). One will appreciate that this may require access to data storage **111** by server **151**. One will also appreciate that the process illustrated in FIG. **7** and described herein may be performed as part of any of the other processes described or illustrated herein, or may be performed independently of the other processes described or illustrated herein.

FIG. **8** is directed to a process in which a mobile communication device **101** transmits additional vulnerability identification information to server **151** in order to receive additional result information relevant to the mobile communication device **101**. One will appreciate that the process illustrated in FIG. **8** and disclosed herein may augment any of the other disclosed or illustrated processes. In block **701** of FIG. **8**, mobile communication device **101** transmits vulnerability identification information to server **151**. In block **801**, mobile communication device **101** receives a request for additional identification information from server **151**. In block **802**, mobile communication device **101** transmits additional vulnerability identification information to server **151**. In response, mobile communication device **101** receives correlated result information from server **151** in block **702** of FIG. **8**. One will appreciate that server **151** may access data storage **111** in order to provide the relevant result information for transmission to mobile communication device **101**.

One will appreciate that the process illustrated in FIG. **8** contemplates a situation in which a mobile communication device **101** first transmits its operating system information to a server **151**. Mobile communication device **101** may then receive a request from server **151** for version information pertaining to software libraries installed on the device **101**. Mobile communication device **101** may then send the requested information to server **151** and may receive result information correlated to the device's vulnerability given its specific software library version information. If the software library versions installed on mobile communication device **101** are not affected by a specific vulnerability, the result information received by mobile communication device **101** may indicate that the device **101** is not vulnerable to that vulnerability. If, however, the software library versions are affected by a specific vulnerability, then the result information received by mobile communication device **101** may indicate that mobile communication device **101** is vulnerable and may contain instructions for how to remediate the issue.

FIG. **9** illustrates a process in which vulnerabilities on a mobile communication device **101** are remediated. One will appreciate that the process illustrated in FIG. **9** and described herein may be combined with any of the processes discussed herein, or may be performed independently of any of the other processes discussed herein. In block **201** of FIG. **9**, data storage **111** stores a plurality of sets of vulnerability information related to one or more mobile communication devices **101**. In block **301** of FIG. **9**, server **151** receives vulnerability identification information for a mobile communication device **101**. In block **302** of FIG. **9**, server **151** correlates the received vulnerability identification information to vulnerability information in order to generate a set of result information about vulnerabilities affecting the mobile communication device **101**. This step may include accessing data storage **111** by server **151**. In block **202** of FIG. **9**, result

information is transmitted to the mobile communication device **101** over network **121**. In an embodiment, the result information may include instructions for the user to remediate vulnerabilities that affect the device **101**.

In block **901** of FIG. **9**, a determination is made as to whether mobile communication device **101** is vulnerable. This determination may be made using logic resident on mobile communication device **101**, or server **151** may perform the analysis. In an embodiment, a device is only vulnerable if it is affected by vulnerabilities that have a certain level of severity. For example, if a device is only susceptible to locally-exploitable vulnerabilities, it may not be considered vulnerable in block **901**; however, if the device is vulnerable to remotely-exploitable vulnerabilities or has a virus installed, it may be considered vulnerable in block **901**. If mobile communication device **101** is vulnerable, then in block **902**, server **151** may be set to wait for confirmation that the mobile communication device **101** has been remediated. Server **151** may be conditioned to wait for confirmation for a certain period of time (block **903**).

If the time limit for receiving a remediation confirmation has been exceeded, then in block **904**, an action may be taken. For example, server **151** may notify an administrator about the vulnerable mobile communication device and that the user has not taken action in the specified period of time. In this example, an administrator may take manual action such as sending a personal email or otherwise notifying the user to secure the device **101**. In an embodiment, server **151** may automatically disable mobile communication device **101** in some fashion to prevent affecting other devices on the network **121** or to prevent further damage. For example, server **151** may prevent mobile communication device **101** from connecting to a specific network, email system, document repository, or other system. Alternatively, server **151** may disable mobile communication device **101** such that an administrator must verify that the device is safe before it is can be used again. Some mechanisms by which the disablement can take place are disclosed in U.S. patent application Ser. No. 12/372,719, entitled, "SYSTEM AND METHOD FOR REMOTELY SECURING OR RECOVERING A MOBILE DEVICE," and U.S. patent application Ser. No. 12/255,632, entitled, "SECURE MOBILE PLATFORM SYSTEM," both of which are incorporated in full herein. In an embodiment, the user of mobile communication device **101** may be notified by server **151** via email, text message or other means of communication that the mobile communication device is vulnerable and that corrective action was not taken within the prescribed time. The notification may serve as a reminder to help the user take action and secure the device. In this fashion, the invention goes beyond simply updating a mobile communication device to ensure security, or periodically scanning mobile communication devices on the network for potential vulnerabilities. As described herein, the invention may provide a customized vulnerability assessment based upon the unique state and configuration of each mobile communication device on the network, and may provide notifications and remediation instructions based upon this unique state and configuration.

One will appreciate that other actions may be performed in order to optimally secure a mobile device once it is known to be vulnerable. The embodiments described herein may be combined as part of a security response process. In an example, a user may receive a direct reminder after one day if his or her device is determined to be vulnerable and is not yet remediated. After two additional days, if the device is still vulnerable, an administrator may be notified and the device disallowed access to email and the organization's

VPN service. Once the device is remediated, the administrator may be notified and access to email and VPN may be automatically restored. Other examples are also possible without departing from this disclosure or the scope of the invention.

If in block **903** of FIG. **9**, server **151** received confirmation that a vulnerability affecting mobile communication device **101** has been remediated, or if in block **901**, mobile communication device **101** is not vulnerable, then in block **401** of FIG. **9**, server **151** may wait for receipt of new vulnerability information. In block **501** of FIG. **9**, server **151** may assess whether there is enough information to determine if mobile communication device **101** is affected by the newly received vulnerability information. If there is not enough information, then in block **502** of FIG. **9**, server **151** will request additional vulnerability identification information from mobile communication device **101**, and will then receive the additional vulnerability identification information from mobile communication device **101** in block **503** of FIG. **9**. Once the additional vulnerability identification information is received, server **151** may make a determination whether the newly received vulnerability information affects mobile communication device **101** (block **402** of FIG. **9**), thereby generating a new, updated or second set of result information. If the new vulnerability information does affect mobile communication device **101**, then in block **403** of FIG. **9**, server **151** may send a notification of the new vulnerability information to the affected mobile communication device **101**, or may send information relating to the new vulnerability to mobile communication device **101**. If the new vulnerability information does not affect mobile communication device **101**, then server **151** or data storage **111** will wait until new relevant vulnerability information is received (block **401** of FIG. **9**). One will appreciate that the portions of the process for remediating vulnerabilities present on the mobile communication device **101** may be performed in conjunction with any of the other processes disclosed herein.

FIG. **10** is directed to a process for generating data for display, e.g. on a web interface. In an embodiment, a user of the mobile communication device **101**, administrator for a group of mobile communication devices **101**, administrator for server **151**, or other party may wish to check the security status of mobile communication devices **101** connected to the network **121**. This may be helpful for identifying which mobile communication devices are vulnerable, identifying which need manual remediation or intervention from an administrator, determining the risk posed by a new vulnerability, and performing other actions relevant to securing a group of mobile communication devices. It may also be helpful to provide a single graphical user interface that displays information on mobile communication devices having access to server **151**.

In block **201** of FIG. **10**, data storage **111** stores a plurality of sets of vulnerability information that may be accessed by server **151**. In block **301** of FIG. **10**, server **151** receives vulnerability identification information for one or more mobile communication devices **101** connected to network **121**. In block **1001**, server **151** receives a request for the status of vulnerabilities for the one or more mobile communication devices **101**. This request may originate from one of the one or more mobile communication devices **101**, or from a web interface. In block **302** of FIG. **10**, server **151** correlates the received set of vulnerability identification information to at least one of the plurality of sets of vulnerability information to identify vulnerabilities that affect or may affect any of the one or more mobile commu-

15

nication devices **101** connected to server **151** on network **121**. In block **1002**, server **151** transmits the status of vulnerabilities for any of the one or more mobile communication devices **101** for display on a web page or other interface. One will appreciate that the status may include whether any of the vulnerabilities have been remediated, and if not, which mobile communication device **101** still suffers from vulnerabilities that have not been remediated. The actions in block **302** may be performed before server **151** receives a request for vulnerability status. The result of the correlation may be stored by the server **151** so that when the server receives a request for vulnerability status, the server **151** recalls the previous results. The storage may be in a database, in-memory cache, or other method of storing and recalling data available to server **151**.

In an embodiment, the data transmitted by server **151** in block **1002** of FIG. **10** may pertain to an individual mobile communication device, multiple devices, or a group of devices. The data may include information about specific individual devices or aggregated information relating to multiple devices. The information about an individual device may include the device's security status (e.g. vulnerable/not vulnerable, severity of vulnerability, number of unremediated vulnerabilities), software version information, phone number, count of security events in a time period, or last time communicating with server **151**. Aggregated information relating to a group of devices may include the percentage of devices in the group that are vulnerable, the number of devices in the group that are vulnerable, the overall risk level of the group, or other information that can be combined between specific devices in the group. Server **151** may automatically group devices using criteria such as common characteristics (e.g. operating system type, operating system version, having the presence of certain software, having a certain configuration, etc.), or common security statuses (e.g. being vulnerable, being not vulnerable, being affected by a specific vulnerability, being out of compliance, awaiting remediation, etc.).

In an embodiment, the data transmitted by server **151** in block **1002** of FIG. **10** may be selected by receiving searching or sorting information in the request **1001**. The search or sort may reference any information stored by the server relating to specific devices. For example, a user may search for all devices with a specific piece of software installed or may sort devices based on highest severity. In an embodiment, the data transmitted by server **151** in block **1002** includes a prioritized list of current security issues. This list may also include recommended actions to remediate the issues and the ability to initiate such actions. For example, in a large mobile device deployment, the list of current issues may include iPhone® vulnerability that is severe and affects 1000 devices, an Android™ vulnerability that is of moderate severity and affects 1200 devices, a Windows Mobile vulnerability that is severe and affects 100 devices, and a Blackberry vulnerability that is of low severity and affects 3000 devices. The prioritization in this case takes into account both the severity of the vulnerability and the number of devices that are part of the deployment and affected by the vulnerability.

In an embodiment, server **151** may transmit reports based on security status information available at the server. The reports may show changes in security status over time or show a current summary. Some example reports include the number of vulnerable of devices with respect to time, the current number of vulnerable devices with each severity level, the current number of vulnerable devices broken down

16

by operating system type, and a list of contact information for users with the most severely vulnerable devices.

In an embodiment, server **151** may transmit security related events that are generated both by clients and by server **151** due to automatic or administrative action. The events may be displayed, gathered, processed, or otherwise interacted with as disclosed in U.S. patent application Ser. No. 12/255,635, entitled, "SECURITY STATUS AND INFORMATION DISPLAY SYSTEM," which is incorporated in full herein.

In an embodiment, server **151** allows an administrator to perform actions related to a device or group of devices. Actions that may be performed include notifying the user of the device via a push notification, text message, email, or another messaging system; disabling the device; disabling the device's access to a service, potentially using a mechanism disclosed in U.S. patent application Ser. No. 12/255,632, entitled, "SECURE MOBILE PLATFORM SYSTEM"; or those disclosed in U.S. patent application Ser. No. 12/372,719, entitled, "SYSTEM AND METHOD FOR REMOTELY SECURING OR RECOVERING A MOBILE DEVICE," both of which are incorporated in full herein.

In an embodiment, server **151** allows an administrator to configure how the server operates. One such configuration may include custom triggers or alerts on certain events (e.g. devices not remediating in a period of time) that will result in logging and administrator notification via email, text message, or other messaging medium. Other examples of configuration options include: the time period the server waits before notifying an administrator of an un-remediated vulnerable device, the email address or addresses administrators should be notified at, how often to remind users of vulnerable devices that they need to take remediation actions, what method of contact server **151** should use to remind users (e.g. SMS, E-mail, push notification service), how the server interacts with e-mail or VPN services to disable access for a specific vulnerable device, and other ways of controlling the functionality disclosed herein.

In an embodiment, vulnerability identification information is stored by server **151** so that, in the case of a new vulnerability, server **151** can determine whether the device is vulnerable, not vulnerable, or potentially vulnerable based on the information it has. In an embodiment, the server stores vulnerability identification information on data storage **111**. This allows an IT admin to get an instant picture of the security risk of their device deployment in the case of a new emerging vulnerability. Such rapid understanding is critical to prioritize response effort in the case of a rapidly spreading worm or severe vulnerability.

FIG. **11** is an exemplary screenshot of result information being displayed on a mobile communication device **101**. As shown, two vulnerabilities have been identified as affecting the mobile communication device. One will appreciate that these vulnerabilities may have been identified by server **151** after receipt of vulnerability identification information from mobile communication device **101**, as described above and illustrated in the Figures. As previously discussed, the identified vulnerabilities may specifically affect mobile communication device **101** because of its particular operating system version, firmware version, or software, or may be a general vulnerability that affects all similar makes and models of mobile communication device **101**. As shown, multiple vulnerabilities are shown to not affect the mobile communication device **101**. In an embodiment, these vulnerabilities are vulnerabilities that may affect similar makes and models of mobile device but do not affect the specific device **101**. In an embodiment, result information display

17

1101 may link to another screen or to a website with more information on a vulnerability, including instructions on how to remediate the vulnerability. In an embodiment, the result information display 1101 may occur due to the result of the device 101 receiving result information sent by the server in response to a request from the device 101. In an embodiment, the result information display 1101 may occur due to the device receiving a notification that the device 101 is vulnerable. One will appreciate that other situations may prompt the display of result information on device 101 without departing from this disclosure. One will appreciate that other screen layouts are possible, and that the screen depicted in FIG. 11 is not meant to limit the invention in any fashion.

In the description above and throughout, numerous specific details are set forth in order to provide a thorough understanding of the invention. It will be evident, however, to one of ordinary skill in the art, that the invention may be practiced without these specific details. In other instances, well-known structures and devices are shown in block diagram form to facilitate explanation. The description of the preferred embodiments is not intended to limit the scope of the claims appended hereto. Further, in the methods disclosed herein, various steps are disclosed illustrating some of the functions of the invention. One will appreciate that these steps are merely exemplary and are not meant to be limiting in any way. Other steps and functions may be contemplated without departing from this disclosure or the scope of the invention.

What is claimed is:

[1. A method comprising:

- a) providing at least one server that accesses a data storage storing a plurality of sets of vulnerability information;
- b) receiving, at the at least one server, a set of vulnerability identification information about a mobile communication device;
- c) correlating, by the at least one server, the received set of vulnerability identification information to at least one of the plurality of sets of vulnerability information to generate a first set of result information; and,
- d) transmitting, by the at least one server, the first set of result information.]

[2. The method of claim 1, wherein the vulnerability identification information is information selected from the group consisting of an operating system type, an operating system version, a firmware version, a device model, carrier information, authentication information, user information, configuration information for the mobile communication device, hardware information, a list of files, a list of software components, a list of libraries, and a list of software applications on the mobile communication device.]

[3. The method of claim 1, wherein vulnerability information is information selected from the group consisting of a name, a description, a remediation instruction, a severity rating, a security impact summary, and a criterion for being vulnerable.]

[4. The method of claim 1, further comprising the step of: e) transmitting, by the at least one server to the mobile communication device, a notification about the first set of result information.]

[5. The method of claim 4, wherein the notification includes an instruction related to the first set of result information.]

[6. The method of claim 1, further comprising the steps of:

- e) updating at least one of the plurality of sets of vulnerability information on the data storage to form a plurality of updated sets of vulnerability information;

18

f) after the step of transmitting, by the at least one server, the first set of result information, correlating, by the at least one server, the received set of vulnerability identification information to the plurality of updated sets of vulnerability information to generate a second set of result information; and,

g) transmitting, by the at least one server, the second set of result information.]

[7. The method of claim 1, further comprising the steps of:

e) updating at least one of the plurality of sets of vulnerability information on the data storage to form a plurality of updated sets of vulnerability information;

f) after the step of transmitting, by the at least one server, the first set of result information, correlating, by the at least one server, the received set of vulnerability identification information to the plurality of updated sets of vulnerability information to generate a second set of result information; and,

g) transmitting, by the at least one server to the mobile communication device, a notification about the second set of result information.]

[8. The method of claim 1, further comprising the steps of:

e) receiving, at the data storage, a new set of vulnerability information to form an updated plurality of sets of vulnerability information;

f) after the step of transmitting, by the at least one server, the first set of result information, correlating, by the at least one server, the received set of vulnerability identification information to the updated plurality of sets of vulnerability information to generate a second set of result information; and,

g) transmitting, by the at least one server, the second set of result information.]

[9. The method of claim 1, further comprising the steps of:

e) receiving, at the data storage, a new set of vulnerability information to form an updated plurality of sets of vulnerability information;

f) after the step of transmitting, by the at least one server, the first set of result information, correlating, by the at least one server, the received set of vulnerability identification information to the updated plurality of sets of vulnerability information to generate a second set of result information; and,

g) transmitting, by the at least one server to the mobile communication device, a notification about the second set of result information.]

[10. A method comprising:

a) transmitting, from a mobile communication device, a set of vulnerability identification information to at least one server that accesses a data storage storing a plurality of sets of vulnerability information; and,

b) receiving, at the mobile communication device from the at least one server, a first set of result information that correlates to the transmitted set of vulnerability identification information.]

[11. The method of claim 10, wherein the vulnerability identification information is information selected from the group consisting of an operating system type, an operating system version, a firmware version, a device model, carrier information, authentication information, user information, configuration information for the mobile communication device, hardware information, a list of files, a list of software components, a list of libraries, and a list of software applications on the mobile communication device.]

[12. The method of claim 10, wherein vulnerability information is information selected from the group consisting of

19

a name, a description, a remediation instruction, a severity rating, a security impact summary, and a criterion for being vulnerable.]

[13. The method of claim 10, further comprising the step of:

c) receiving, at the mobile communication device from the at least one server, a notification about the first set of result information.]

[14. The method of claim 13, wherein the notification includes an instruction related to the first set of result information.]

[15. The method of claim 13, further comprising the step of:

d) displaying, on the mobile communication device, at least a portion of the received notification.]

[16. The method of claim 10, further comprising the step of:

c) receiving, at the mobile communication device from the at least one server, a notification about a second set of result information.]

[17. A method comprising:

a) providing at least one server that accesses a data storage storing a plurality of sets of vulnerability information;

b) receiving, at the at least one server, a first set of vulnerability identification information about a first mobile communication device;

c) correlating, by the at least one server, the first set of vulnerability identification information to at least one of the plurality of sets of vulnerability information to generate a first set of result information; and,

d) transmitting, by the at least one server, the first set of result information;

e) receiving, at the at least one server, a second set of vulnerability identification information about a second mobile communication device, wherein the second set of vulnerability identification information differs from the first set of vulnerability identification information;

f) correlating, by the at least one server, the second set of vulnerability identification information to at least one of the plurality of sets of vulnerability information to generate a second set of result information; and,

g) transmitting, by the at least one server, the second set of result information.]

[18. The method of claim 17, wherein the vulnerability identification information is information selected from the group consisting of an operating system type, an operating system version, a firmware version, a device model, carrier information, authentication information, user information, configuration information for the mobile communication device, hardware information, a list of files, a list of software components, a list of libraries, and a list of software applications on the mobile communication device.]

[19. The method of claim 17, wherein vulnerability information is information selected from the group consisting of a name, a description, a remediation instruction, a severity rating, a security impact summary, and a criterion for being vulnerable.]

[20. A system comprising:

a data storage storing a plurality of sets of vulnerability information;

a server for accessing the data storage, for receiving one or more sets of vulnerability identification information about one or more mobile communication devices, for correlating the one or more sets of received vulnerability identification information to at least one of the plurality of sets of vulnerability information to generate one or more sets of result information, for transmitting

20

the one or more sets of result information, and for transmitting one or more notifications about the one or more sets of result information; and,

a network connecting the at least one server, data storage, and the plurality of mobile communication devices.]

[21. The system of claim 20, further comprising a user interface for monitoring the plurality of mobile communication devices to identify which of the plurality of mobile communication devices is vulnerable.]

[22. The system of claim 20, wherein vulnerability information is information selected from the group consisting of a name, a description, one or more remediation instructions, a severity rating, a security impact summary, and one or more criteria for being vulnerable.]

[23. A method comprising:

a) providing at least one server that accesses a data storage storing a plurality of sets of vulnerability information;

b) receiving, at the at least one server, a set of vulnerability identification information about a mobile communication device;

c) correlating, by the at least one server, the received set of vulnerability identification information to at least one of the plurality of sets of vulnerability information to generate a first set of result information; and,

d) transmitting, by the at least one server to the mobile communication device, a notification about the first set of result information.]

[24. The method of claim 23, wherein the vulnerability identification information is information selected from the group consisting of an operating system type, an operating system version, a firmware version, a device model, carrier information, authentication information, user information, configuration information for the mobile communication device, hardware information, a list of files, a list of software components, a list of libraries, and a list of software applications on the mobile communication device.]

[25. The method of claim 23, wherein vulnerability information is information selected from the group consisting of a name, a description, a remediation instruction, a severity rating, a security impact summary, and a criterion for being vulnerable.]

[26. The method of claim 23, further comprising the steps of:

e) receiving, at the data storage, a new set of vulnerability information to form an updated plurality of sets of vulnerability information;

f) correlating, by the at least one server, the received set of vulnerability identification information to the updated plurality of sets of vulnerability information to generate a second set of result information; and,

g) transmitting, by the at least one server, the second set of result information.]

[27. The method of claim 23, further comprising the steps of:

e) receiving, at the data storage, a new set of vulnerability information to form an updated plurality of sets of vulnerability information;

f) correlating, by the at least one server, the received set of vulnerability identification information to the updated plurality of sets of vulnerability information to generate a second set of result information; and,

g) transmitting, by the at least one server to the mobile communication device, a notification about the second set of result information.]

28. A method comprising:

receiving, at a mobile communications device from a data storage, vulnerability information including descrip-

21

tions of known vulnerabilities, an amount of information included in the vulnerability information being determined by a setting determined from an input from an administrator;

5 correlating, by the mobile communications device, the received vulnerability information to vulnerability identification information about the mobile communications device to determine whether at least some of the received vulnerability information is relevant to the mobile communications device;

10 generating, by the mobile communications device based on the determination from the correlating step, vulnerability result information including instructions for remediating at least one vulnerability of the mobile communications device; and

15 implementing, by the mobile communications device, the instructions to remediate the at least one vulnerability.

29. The method of claim 28, wherein implementing the instructions includes the mobile communications device 20 initiating, without user intervention, a pre-defined security response process.

30. The method of claim 29, wherein the pre-defined security response process includes at least one of:

25 a communication between the mobile communications device and a server, the communication including a request for new vulnerability information; or

an update of an application on the mobile communications device.

31. The method of claim 29, wherein the pre-defined 30 security response process includes:

notifying, by the mobile communications device, a user of a vulnerability in the mobile communications device;

providing the user with instructions to remediate the vulnerability; and

35 after a first threshold period of time has passed without receiving confirmation that the vulnerability has been remediated:

reminding, by the mobile communications device, the user of the vulnerability, or

40 at least one of: automatically disabling the user's mobile communications device either partially or fully, or preventing the mobile communications device from making a connection.

32. The method of claim 28 further comprising: 45 performing, by the mobile communications device, a first action directed by the instructions to remediate the at least one vulnerability;

waiting, by the mobile communications device, for a confirmation related to the first action;

50 when a first threshold value of time has passed without receiving the confirmation, performing, by the mobile communications device, a second action to remediate the at least one vulnerability.

33. The method of claim 32, wherein the first action or the 55 second action includes one of:

notifying an administrator of the mobile communications device;

notifying a user of the mobile communications device;

60 automatically disabling the mobile communications device; or

preventing the mobile communications device from making a connection.

34. The method of claim 32, wherein the first action or the second action includes one of: 65 automatically disabling the mobile communications device either partially or fully, or

22

preventing the mobile communications device from making a connection, the method further comprising: requiring, by the mobile communications device, a verification that the mobile communications device is secure before the mobile communications device is re-enabled or allowed to make the connection.

35. A system comprising:

a data storage storing a plurality of sets of vulnerability information, the vulnerability information including descriptions of known vulnerabilities;

a mobile communications device in communication with the data storage, the mobile communications device configured to:

receive, from the data storage, vulnerability information including descriptions of known vulnerabilities, an amount of information included in the vulnerability information being determined by a setting determined from an input from an administrator;

correlate the received vulnerability information to vulnerability identification information about the mobile communications device to determine whether at least some of the received vulnerability information is relevant to the mobile communications device;

generate, based on the determination from the correlating step, vulnerability result information including instructions for remediating at least one vulnerability of the mobile communications device; and

implement the instructions to remediate the at least one vulnerability.

36. The system of claim 35, wherein implementing the instructions includes the mobile communications device initiating, without user intervention, a pre-defined security response process.

37. The system of claim 36, wherein the pre-defined security response process includes at least one of:

a communication between the mobile communications device and a server, the communication including a request for new vulnerability information; or

an update of an application on the mobile communications device.

38. The system of claim 36, wherein the pre-defined security response process includes:

notifying a user of a vulnerability in the mobile communications device;

providing the user with instructions to remediate the vulnerability;

after a first threshold period of time has passed without receiving confirmation that the vulnerability has been remediated:

reminding the user of the vulnerability; or

performing at least one of: automatically disabling the user's mobile communications device either partially or fully, or preventing the mobile communications device from making a connection.

39. The system of claim 35, wherein the mobile communications device is further configured to:

perform a first action directed by the instructions to remediate the at least one vulnerability;

wait for a confirmation related to the first action;

when a first threshold value of time has passed without receiving the confirmation, perform second action to remediate the at least one vulnerability.

40. The system of claim 39, wherein the first action or the 65 second action includes at least one of:

notifying an administrator of the mobile communications device;

23

notifying a user of the mobile communications device;
automatically disabling the mobile communications
device; or

preventing the mobile communications device from mak-
ing a connection.

41. The system of claim 39, wherein the first action or the
second action includes at least one of:

automatically disabling the mobile communications
device either partially or fully, or

preventing the mobile communications device from mak-
ing a connection, the steps further comprising:

requiring, by the mobile communications device, a veri-
fication that the mobile communications device is
secure before the mobile communications device is
re-enabled or allowed to make the connection.

42. A non-transitory, computer-readable storage medium
having stored thereon a plurality of instructions, which,
when executed by a processor of a mobile communications
device, cause the mobile communications device to perform
the steps of:

receiving, from the data storage, vulnerability informa-
tion including descriptions of known vulnerabilities, an
amount of information included in the vulnerability
information being determined by a setting determined
from an input from an administrator;

correlating the received vulnerability information to vul-
nerability identification information about the mobile
communications device to determine whether at least
some of the received vulnerability information is rel-
evant to the mobile communications device;

generating, based on the determination from the corre-
lating step, vulnerability result information including
instructions for remediating at least one vulnerability
of the mobile communications device; and

implementing the instructions to remediate the at least
one vulnerability.

43. The computer-readable storage medium of claim 42,
wherein implementing the instructions includes the mobile
communications device initiating, without user intervention,
a pre-defined security response process.

44. The computer-readable storage medium of claim 43,
wherein the pre-defined security response process includes
at least one of:

a communication between the mobile communications
device and a server, the communication including a
request for new vulnerability information; or

24

an update of an application on the mobile communica-
tions device.

45. The computer-readable storage medium of claim 43,
wherein the pre-defined security response process includes:

notifying a user of a vulnerability in the mobile commu-
nications device;

providing the user with instructions to remediate the
vulnerability; and

after a first threshold period of time has passed without
receiving confirmation that the vulnerability has been
remediated:

reminding the user of the vulnerability; or

performing at least one of: automatically disabling the
user's mobile communications device either par-
tially or fully, or preventing the mobile communica-
tions device from making a connection.

46. The computer-readable storage medium of claim 42,
the steps further comprising:

performing a first action directed by the instructions to
remediate the at least one vulnerability;

waiting for a confirmation related to the first action;

when a first threshold value of time has passed without
receiving the confirmation, performing a second action
to remediate the at least one vulnerability.

47. The computer-readable storage medium of claim 46,
wherein the first action or the second action includes at least
one of:

notifying an administrator of the mobile communications
device;

notifying a user of the mobile communications device;
automatically disabling the mobile communications
device; or

preventing the mobile communications device from mak-
ing a connection.

48. The computer-readable storage medium of claim 46,
wherein the first action or the second action includes at least
one of:

automatically disabling the mobile communications
device either partially or fully, or

preventing the mobile communications device from mak-
ing a connection, the steps further comprising:

requiring a verification that the mobile communications
device is secure before the mobile communications
device is re-enabled or allowed to make the connection.

* * * * *