



US00RE48667E

(19) **United States**
(12) **Reissued Patent**
Park et al.

(10) **Patent Number: US RE48,667 E**
(45) **Date of Reissued Patent: Aug. 3, 2021**

(54) **LENS DRIVING DEVICE AND CAMERA MODULE COMPRISING SAME**

(58) **Field of Classification Search**
CPC G02B 7/02; G02B 7/08; H02K 41/035;
G03B 3/10

(71) Applicant: **LG INNOTEK CO., LTD.**, Seoul (KR)

See application file for complete search history.

(72) Inventors: **Sang Ok Park**, Seoul (KR); **Byung Wook Son**, Seoul (KR); **Seong Min Lee**, Seoul (KR); **Jun Taek Lee**, Seoul (KR)

(56) **References Cited**

U.S. PATENT DOCUMENTS

4,727,529 A 2/1988 Araki et al.
5,220,461 A 6/1993 Inoue et al.

(Continued)

(73) Assignee: **LG INNOTEK CO., LTD.**, Seoul (KR)

FOREIGN PATENT DOCUMENTS

(21) Appl. No.: **16/655,943**

CN 1190746 A 8/1998
CN 101055342 A 10/2007

(22) Filed: **Oct. 17, 2019**

(Continued)

Related U.S. Patent Documents

Reissue of:

(64) Patent No.: **10,295,781**
Issued: **May 21, 2019**
Appl. No.: **15/123,906**
PCT Filed: **Feb. 25, 2015**
PCT No.: **PCT/KR2015/001825**
§ 371 (c)(1),
(2) Date: **Sep. 6, 2016**
PCT Pub. No.: **WO2015/133759**
PCT Pub. Date: **Sep. 11, 2015**

OTHER PUBLICATIONS

European Search Report dated Jul. 9, 2020 in European Application No. 20168004.8.

(Continued)

Primary Examiner — Deandra M Hughes
(74) *Attorney, Agent, or Firm* — Saliwanchik, Lloyd & Eisenschenk

(30) **Foreign Application Priority Data**

Mar. 5, 2014 (KR) 10-2014-0026062
May 9, 2014 (KR) 10-2014-0055364
Aug. 20, 2014 (KR) 10-2014-0108487

(57) **ABSTRACT**

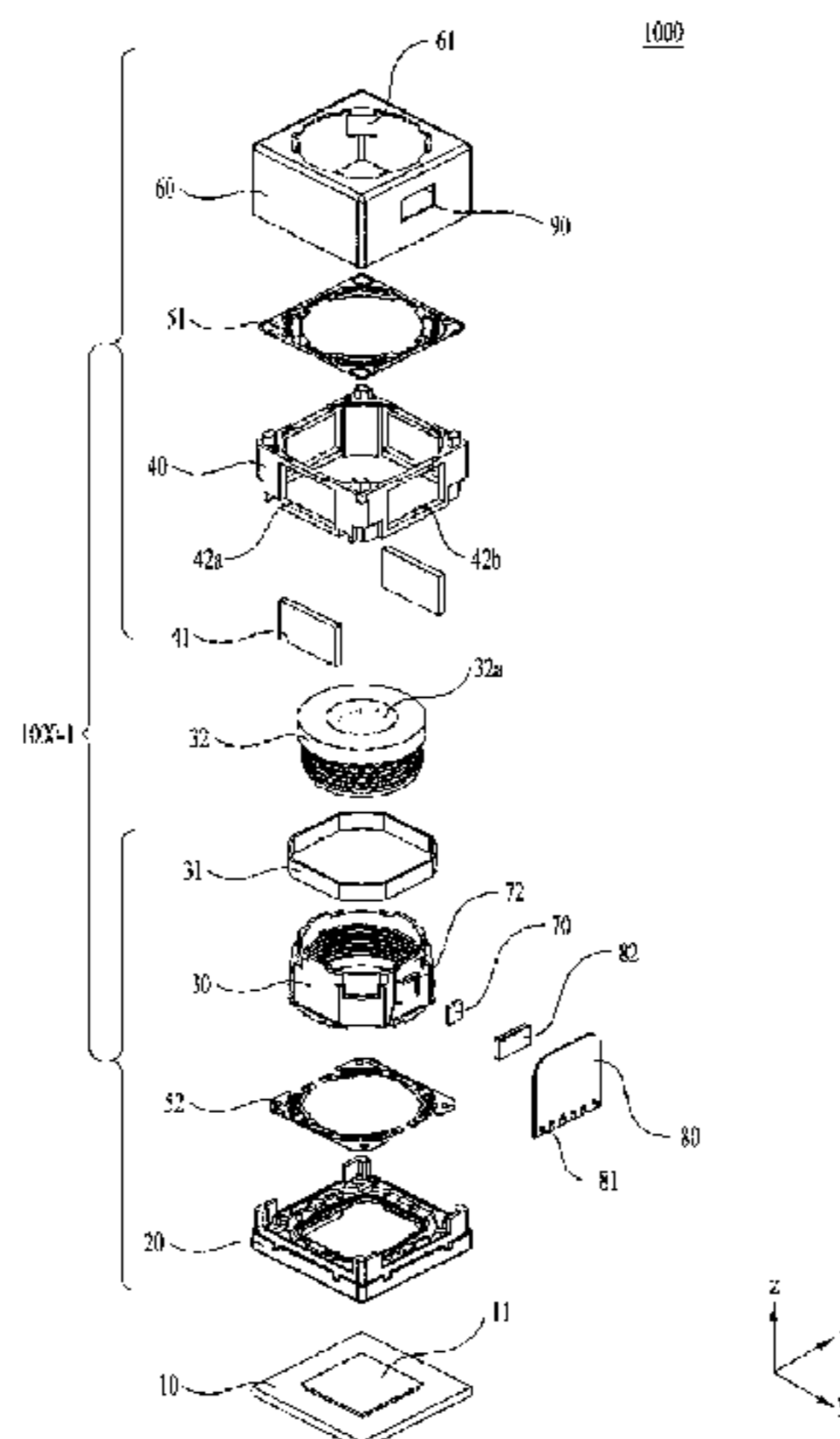
A lens driving device according to an embodiment comprises: a movable unit on which at least one lens is mounted; a first coil and a driving magnet which face and interact with each other such that the movable unit is moved in the optical axis direction of the lens; a position sensor for sensing the position of the movable unit in the optical axis direction or a driver comprising the position sensor; and a positively magnetized magnet arranged to face the position sensor or the driver, wherein the positively magnetized magnet comprises a first side surface, which faces the position sensor and has a first polarity, and a second side surface, which faces the position sensor, which is arranged to be spaced from the first side surface in a direction parallel with the optical axis direction or arranged to abut the first side surface, and which has a second polarity that is the opposite

(Continued)

(51) **Int. Cl.**
G02B 7/02 (2021.01)
G02B 7/04 (2021.01)

(Continued)

(52) **U.S. Cl.**
CPC **G02B 7/08** (2013.01); **G03B 3/10** (2013.01); **H02K 41/0356** (2013.01); **G03B 2205/0069** (2013.01)



of the first polarity of the first side surface, and the length of the first side surface in the optical axis direction may be equal to or larger than the length of the second side surface in the optical axis direction.

29 Claims, 41 Drawing Sheets

(51) Int. Cl.

G02B 7/08 (2021.01)
G02B 3/10 (2006.01)
G02B 5/00 (2006.01)
H02K 41/035 (2006.01)
G03B 3/10 (2021.01)

(56)

References Cited

U.S. PATENT DOCUMENTS

8,310,774 B2 * 11/2012 Lee G03B 3/10
 359/824
 8,390,946 B2 * 3/2013 Hu H02K 41/0356
 359/824
 9,001,224 B2 * 4/2015 Moriya H04N 5/2257
 348/208.99
 9,310,584 B2 * 4/2016 Lam G02B 7/04
 9,554,023 B2 * 1/2017 Park G02B 7/09
 9,766,476 B2 * 9/2017 Yeo G02B 7/09
 10,042,140 B2 * 8/2018 Park H02K 33/18
 10,107,987 B2 * 10/2018 Osaka G02B 7/08
 10,116,849 B2 * 10/2018 Park G02B 7/09
 10,197,762 B2 * 2/2019 Park G02B 7/08
 10,222,579 B2 * 3/2019 Park G02B 7/08
 10,606,025 B2 * 3/2020 Lee H02K 11/215
 10,656,375 B2 * 5/2020 Kim G02B 7/02
 10,712,530 B2 * 7/2020 Park G02B 7/08
 2005/0174009 A1 8/2005 Kayama et al.
 2006/0267421 A1 11/2006 Aoshima
 2007/0047942 A1 3/2007 Chang et al.
 2007/0097530 A1 5/2007 Kuo et al.
 2007/0177279 A1 8/2007 Cho et al.
 2007/0242152 A1 10/2007 Chen
 2012/0008220 A1 1/2012 Lee et al.
 2012/0026611 A1 2/2012 Hu et al. H02K 41/0356
 359/824
 2012/0154938 A1 * 6/2012 Ohishi H04N 5/2251
 359/824
 2012/0200176 A1 8/2012 Park H04N 5/2254
 310/12.16
 2013/0088607 A1 4/2013 Akutsu et al.
 2013/0163085 A1 6/2013 Lim et al.
 2013/0293179 A1 11/2013 Lee
 2014/0072289 A1 3/2014 Lim et al. G02B 7/36
 396/55
 2014/0104486 A1 4/2014 Seol et al. H04N 5/2254
 348/357
 2015/0319345 A1 11/2015 Park
 2016/0178923 A1 * 6/2016 Hayashi G02B 27/646
 359/557

FOREIGN PATENT DOCUMENTS

CN 101055342 A 10/2007
 CN 102062926 A 5/2011

CN 102073194 A 5/2011
 CN 102315748 A 1/2012
 CN 102629815 A 8/2012
 CN 102902038 A 1/2013
 EP 0 469 532 A2 2/1992
 EP 0 618 664 A2 10/1994
 JP 10-225083 A 8/1998
 JP 11-289743 * 10/1999 H02K 41/035
 JP H-11-289743 A 10/1999
 JP 2006-235583 A 9/2006
 JP 2007-121850 A 5/2007
 JP 2007-128072 A 5/2007
 JP 2007121850 A * 5/2007
 JP 2008-058391 A 3/2008
 JP 2011-102824 A 5/2011
 JP 2012-027433 A 2/2012
 JP 2013-033179 A 2/2013
 JP 3183101 U 4/2013
 JP 2013-127492 A 6/2013
 JP 2013-190705 A 9/2013
 JP 2020052238 A * 4/2020
 JP 2020154254 A * 9/2020
 KR 10-2012-0012086 A 2/2012
 KR 20120012086 A 2/2012
 KR 10-2012-0025811 A 3/2012
 KR 10-2012-0090379 * 8/2012 G02B 7/02
 KR 10-2012-0090379 A 8/2012
 KR 20120090379 A 8/2012
 KR 10-2012-0097117 A 9/2012
 KR 10-2013-0088052 A 8/2013
 KR 20130088052 A 8/2013
 KR 10-1343197 B1 * 12/2013 G03B 13/36
 KR 101343197 B1 12/2013
 TW 200708873 A 3/2007
 TW 201205143 A1 2/2012
 WO WO-2011/105470 A1 9/2011
 WO WO-2013/094963 A1 6/2013

OTHER PUBLICATIONS

Office Action dated May 7, 2020 in Korean Application No. 10-2014-0026062.
 International Search Report in International Application No. PCT/KR2015/001825, filed Feb. 25, 2015.
 Office Action dated Jun. 26, 2018 in U.S. Appl. No. 15/123,906.
 Notice of Allowance dated Nov. 30, 2018 in U.S. Appl. No. 15/123,906.
 Office Action dated Nov. 4, 2020 in Japanese Application No. 2019-201698.
 Office Action dated Dec. 7, 2020 in Korean Application No. 10-2014-0108487.
 Office Action dated Feb. 24, 2021 in Chinese Application No. 201910661265.9.
 Office Action dated Mar. 12, 2021 in Chinese Application No. 201910661282.2.
 Office Action dated Mar. 17, 2021 in Korean Application No. 10-2021-0000933.
 Office Action dated Jul. 17, 2018 in Chinese Application No. 201580024027.7, along with its English translation.
 Office Action dated Jul. 25, 2018 in related co-pending U.S. Appl. No. 15/937,330.
 Office Action dated Feb. 12, 2019 in Japanese Application No. 2016-555679.
 Office Action dated Mar. 25, 2019 in European Application No. 15 758 167.9.

* cited by examiner

FIG. 1

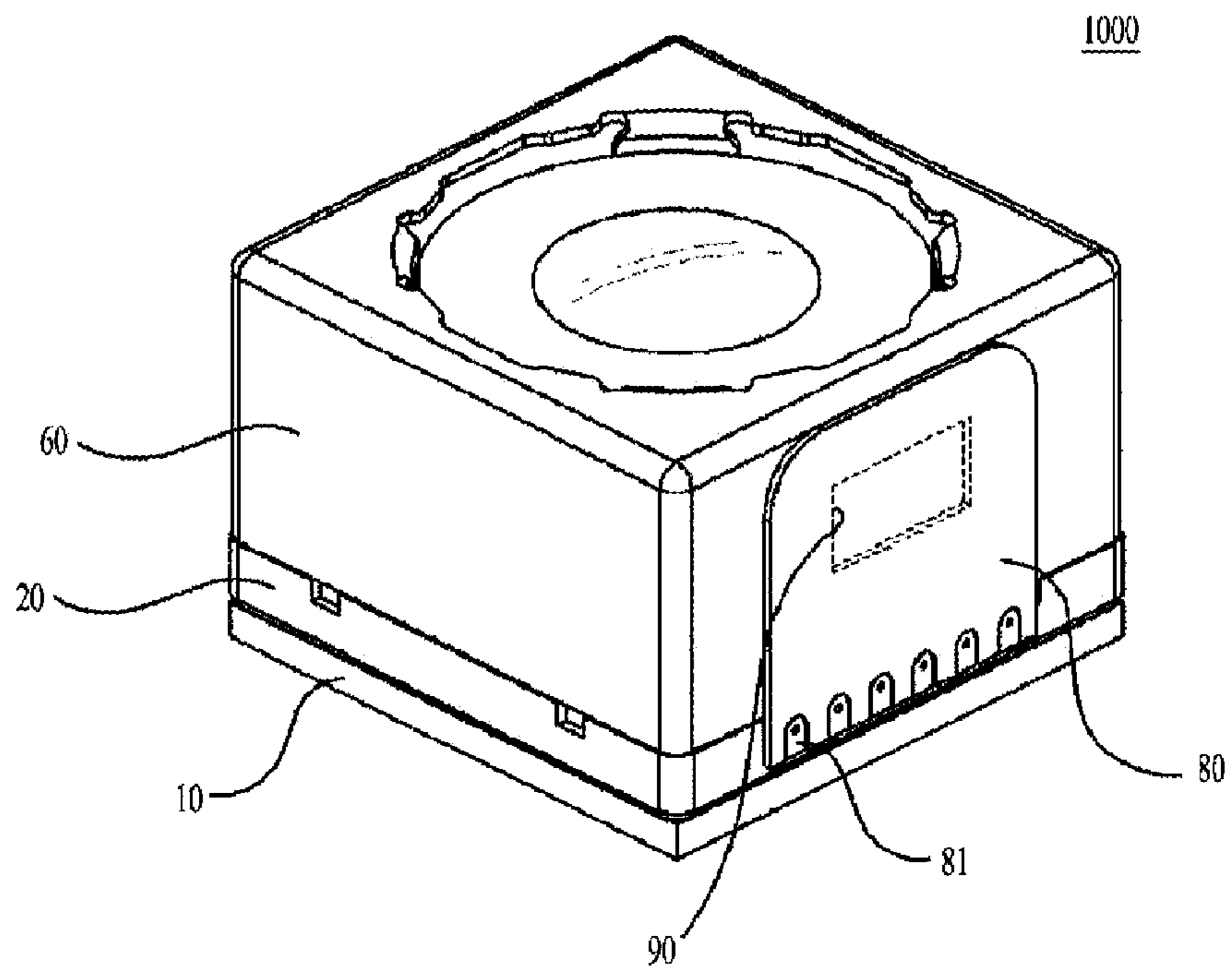


FIG. 2

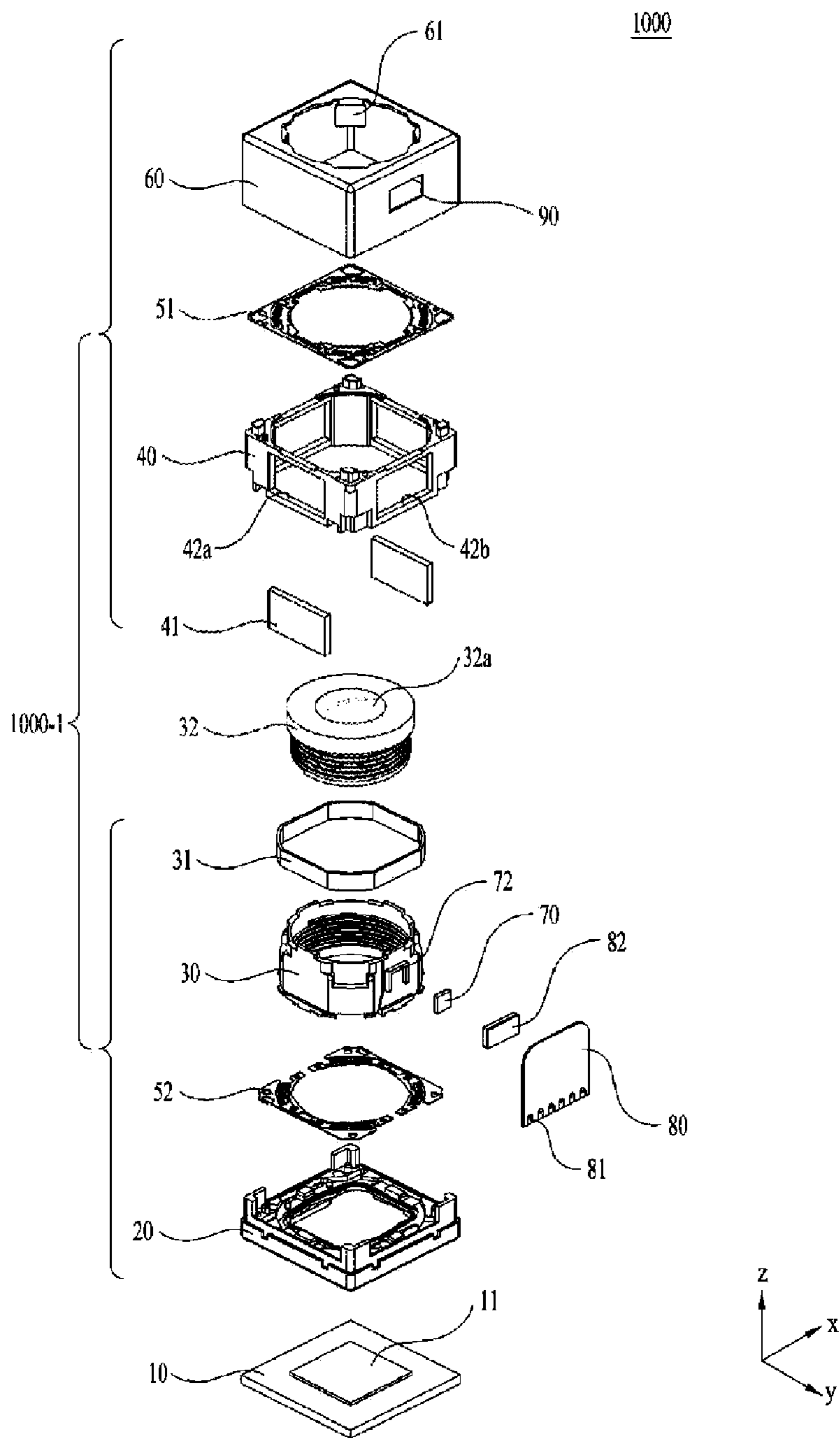


FIG. 3

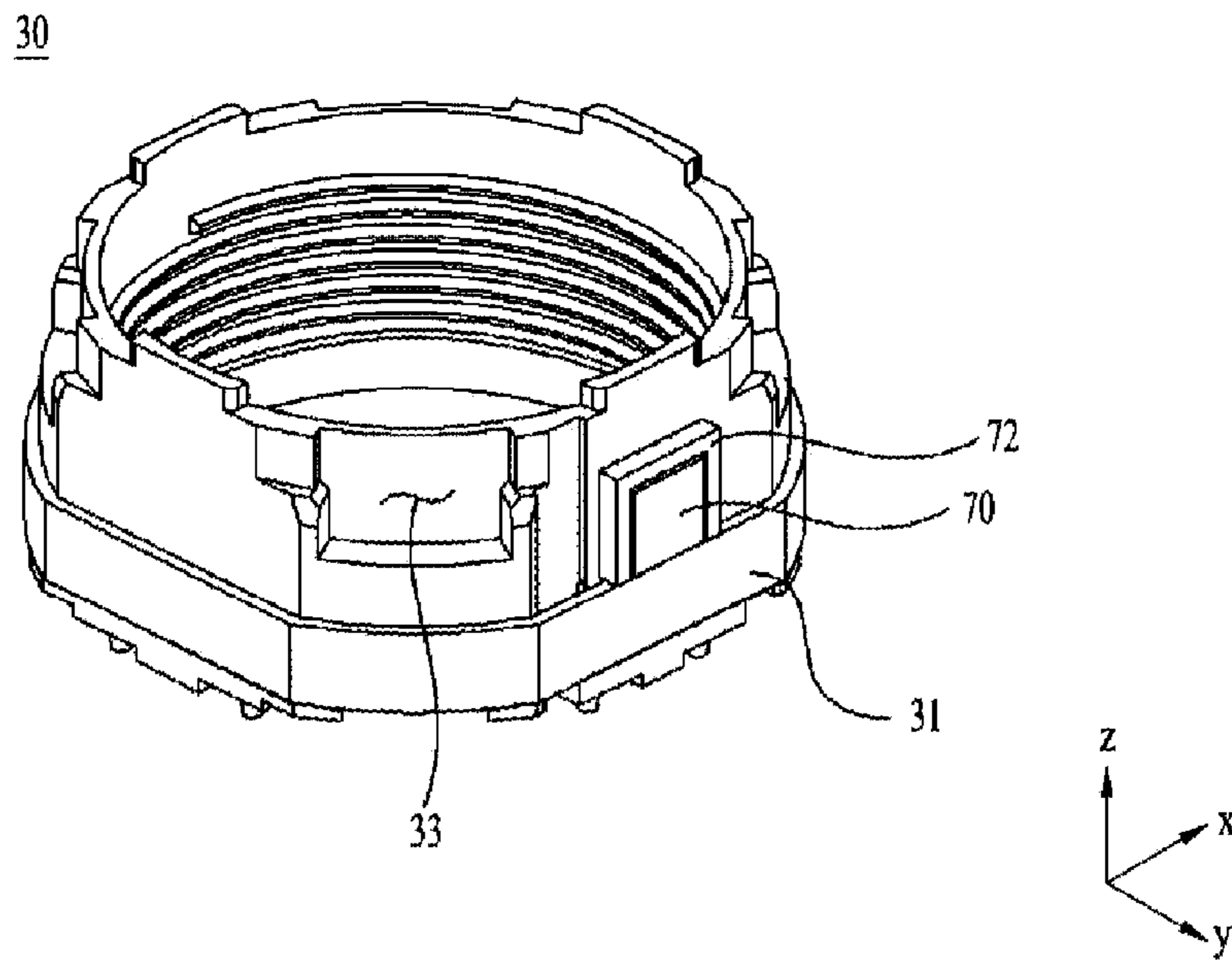


FIG. 4

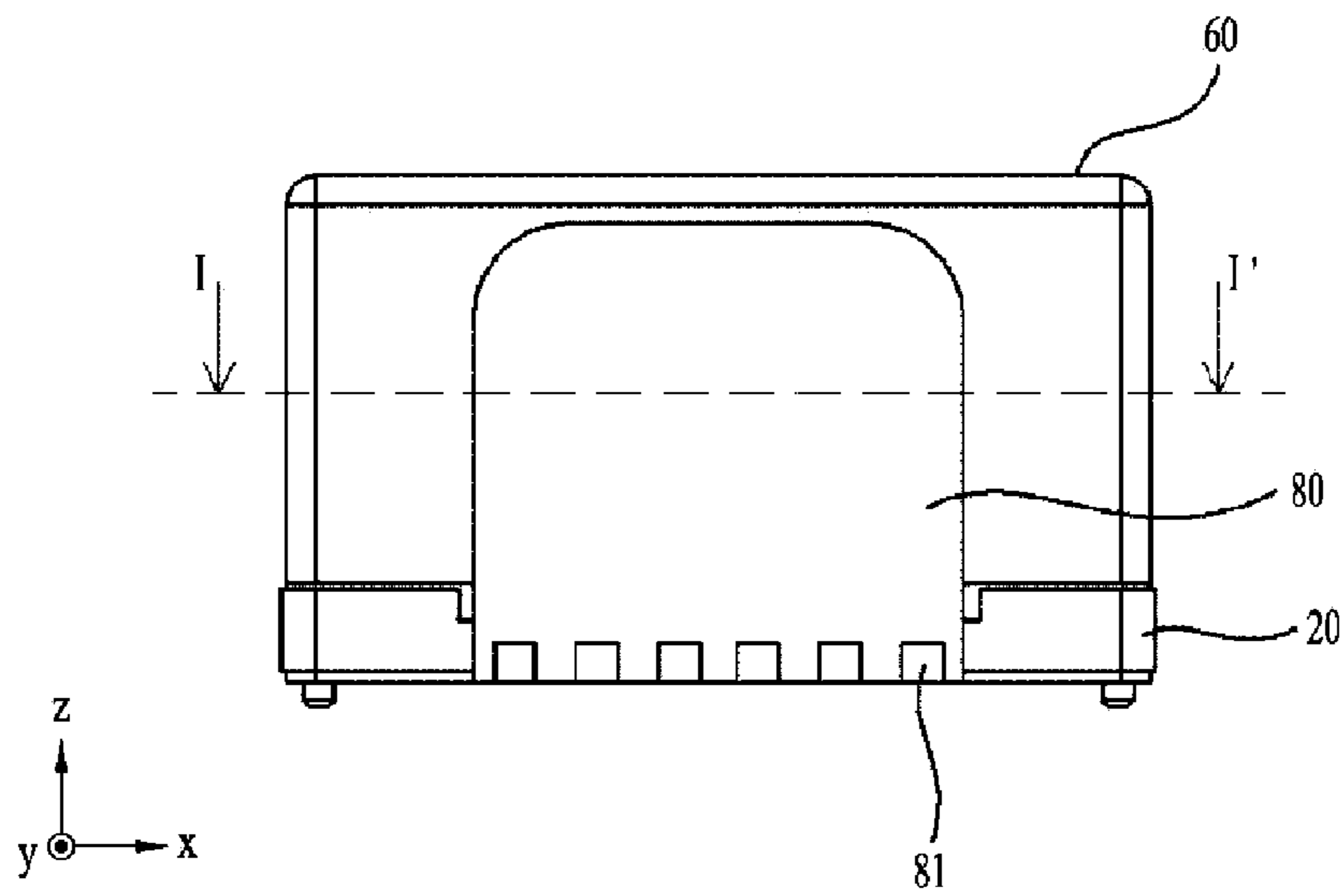


FIG. 5

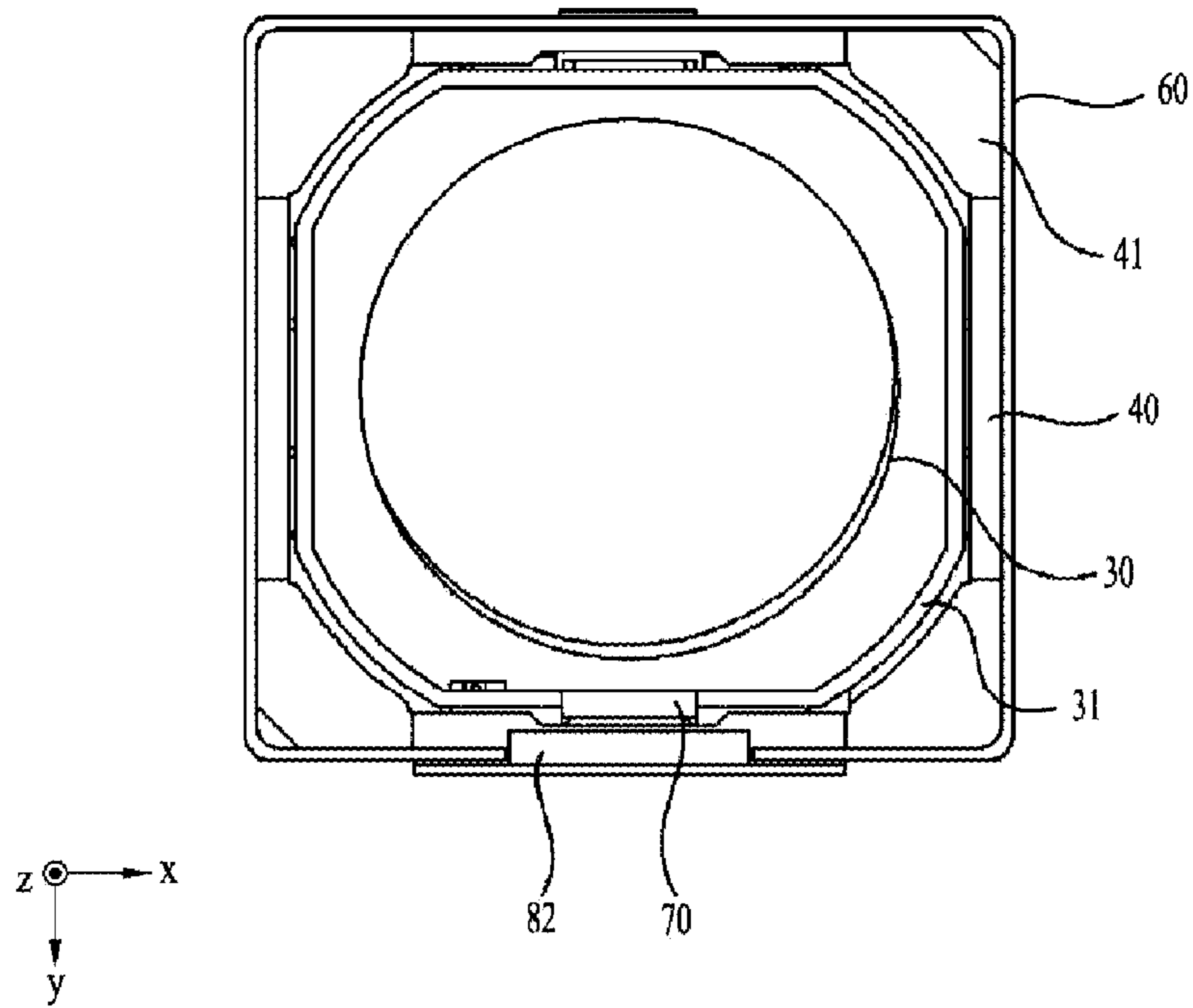


FIG. 6

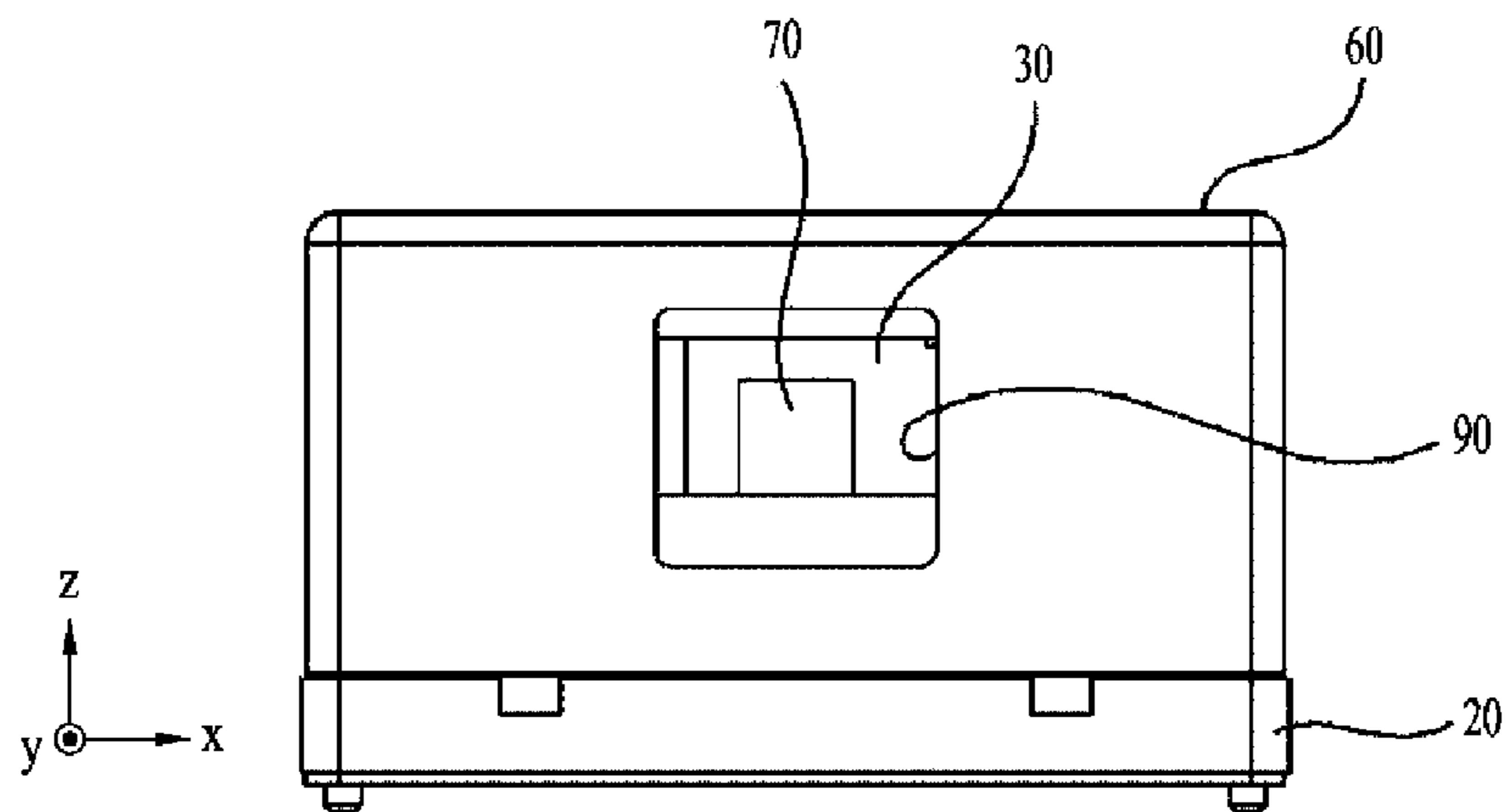


FIG. 7

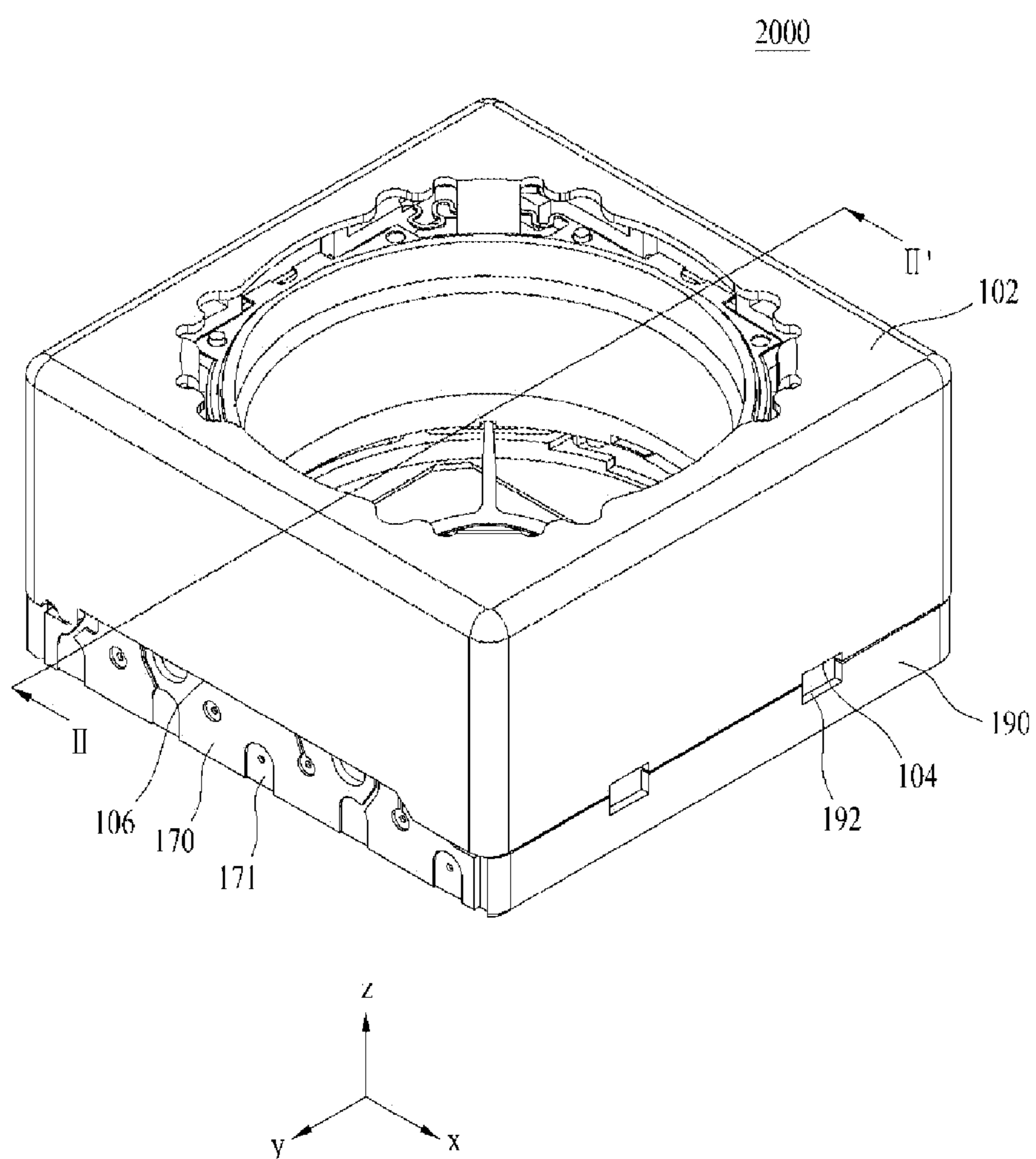


FIG. 8

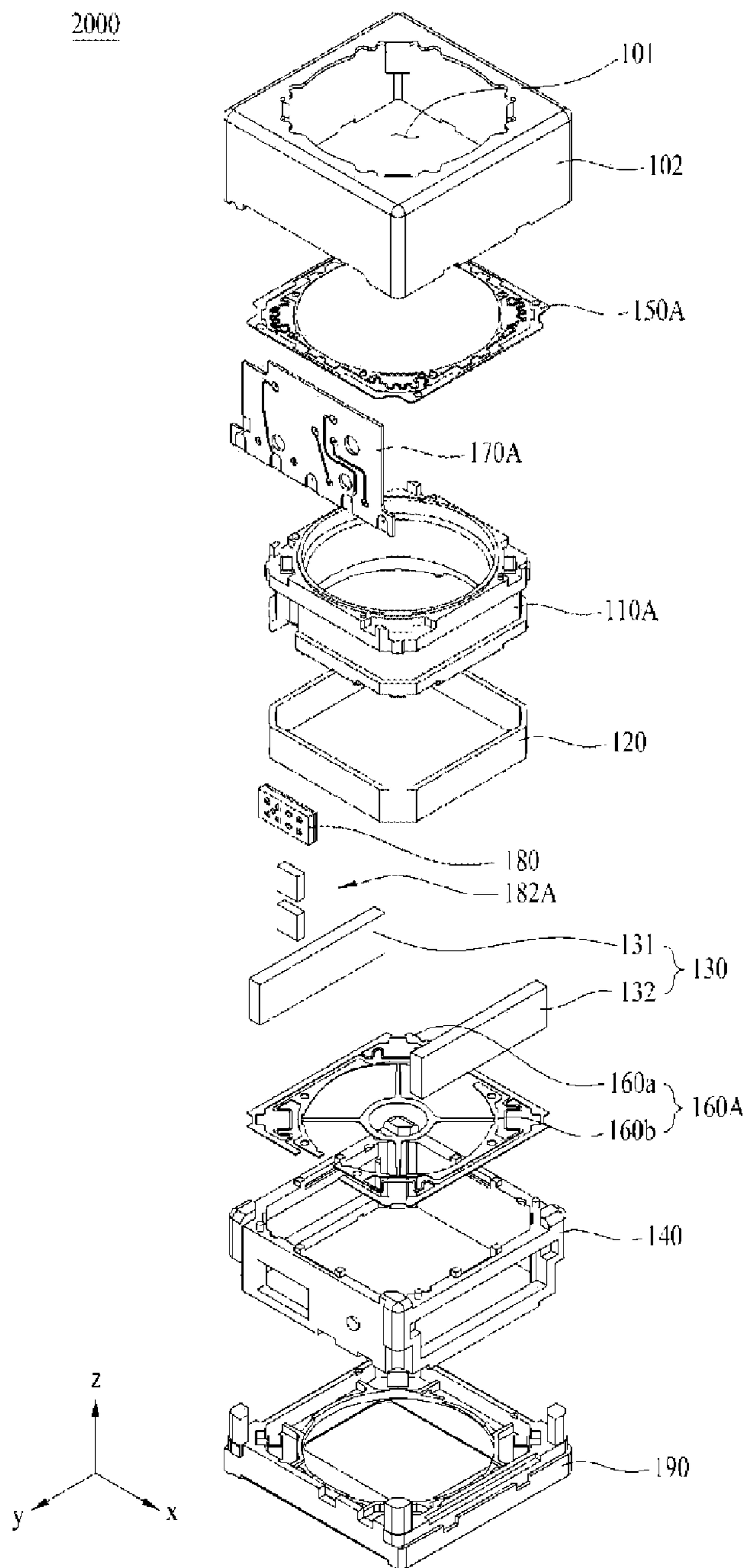


FIG. 9

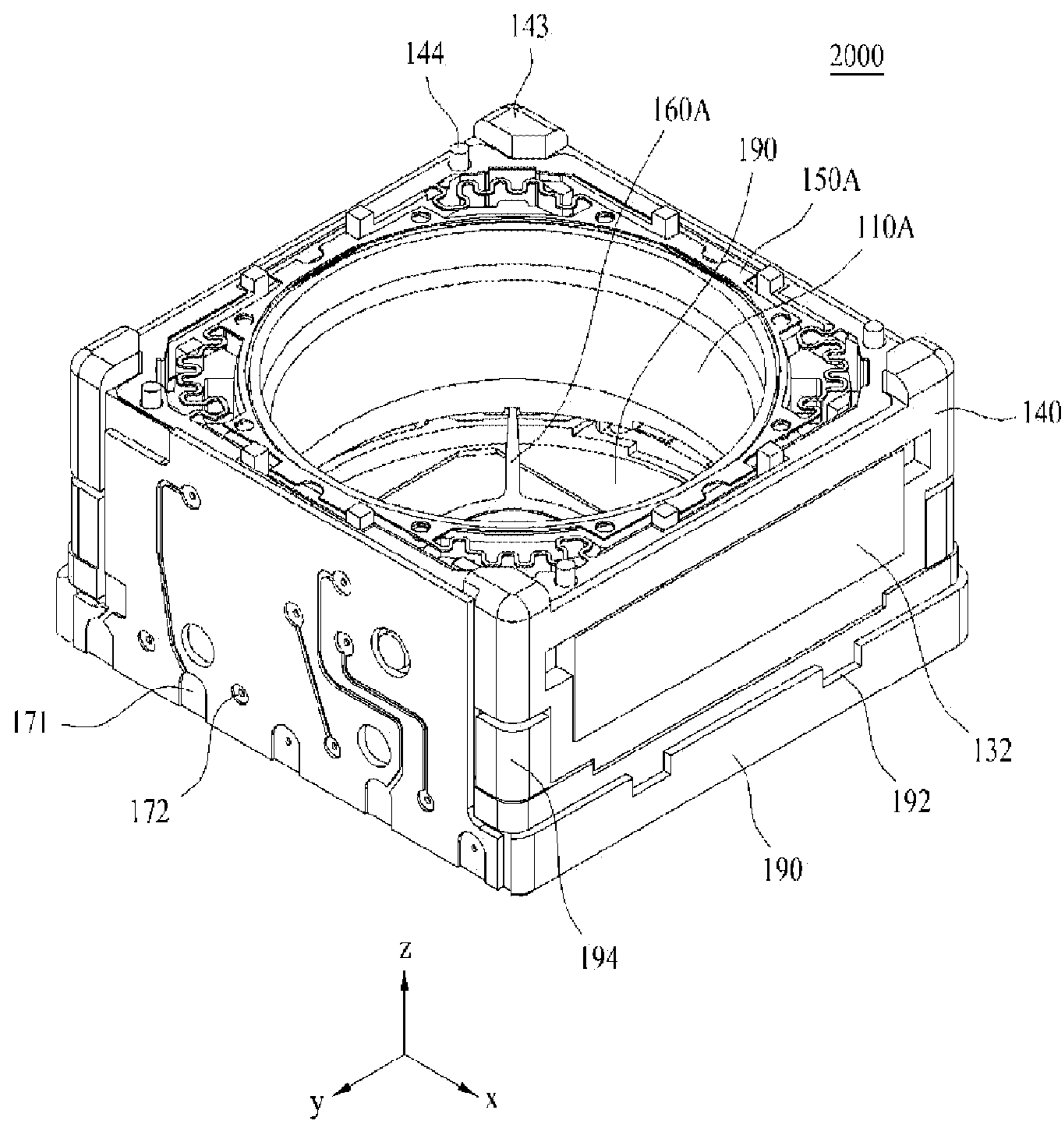


FIG. 10

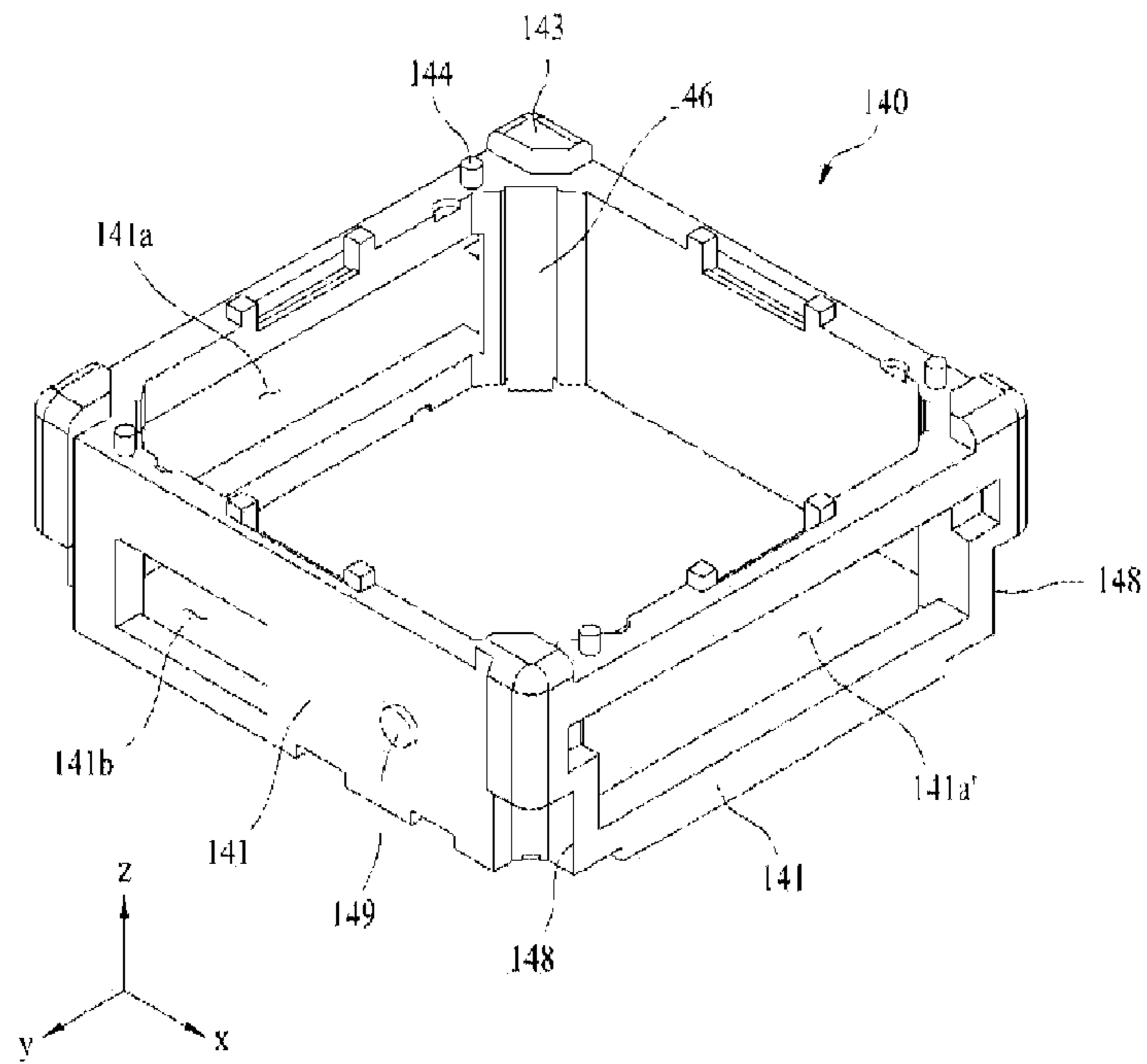


FIG. 11

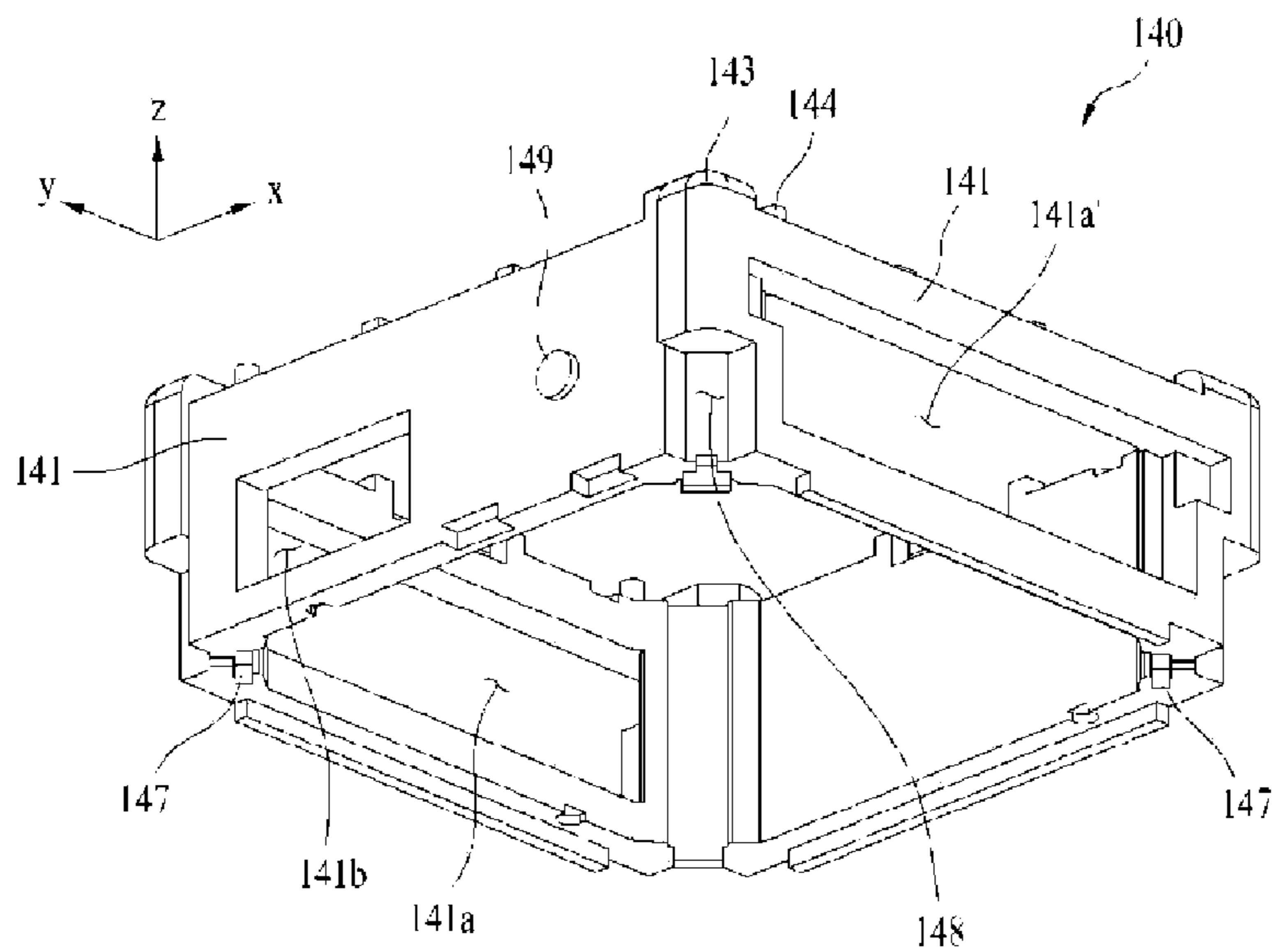


FIG. 12

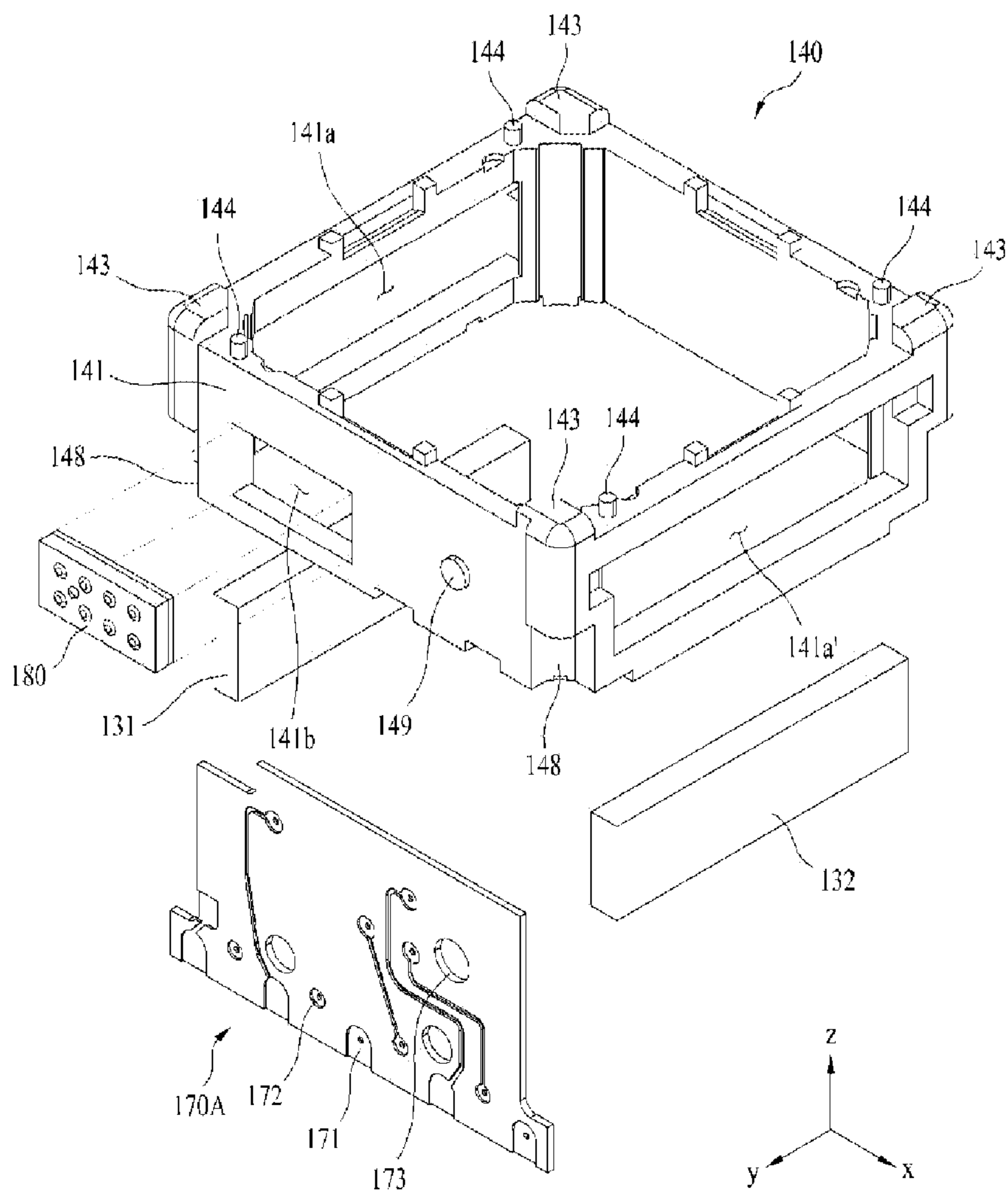


FIG. 13

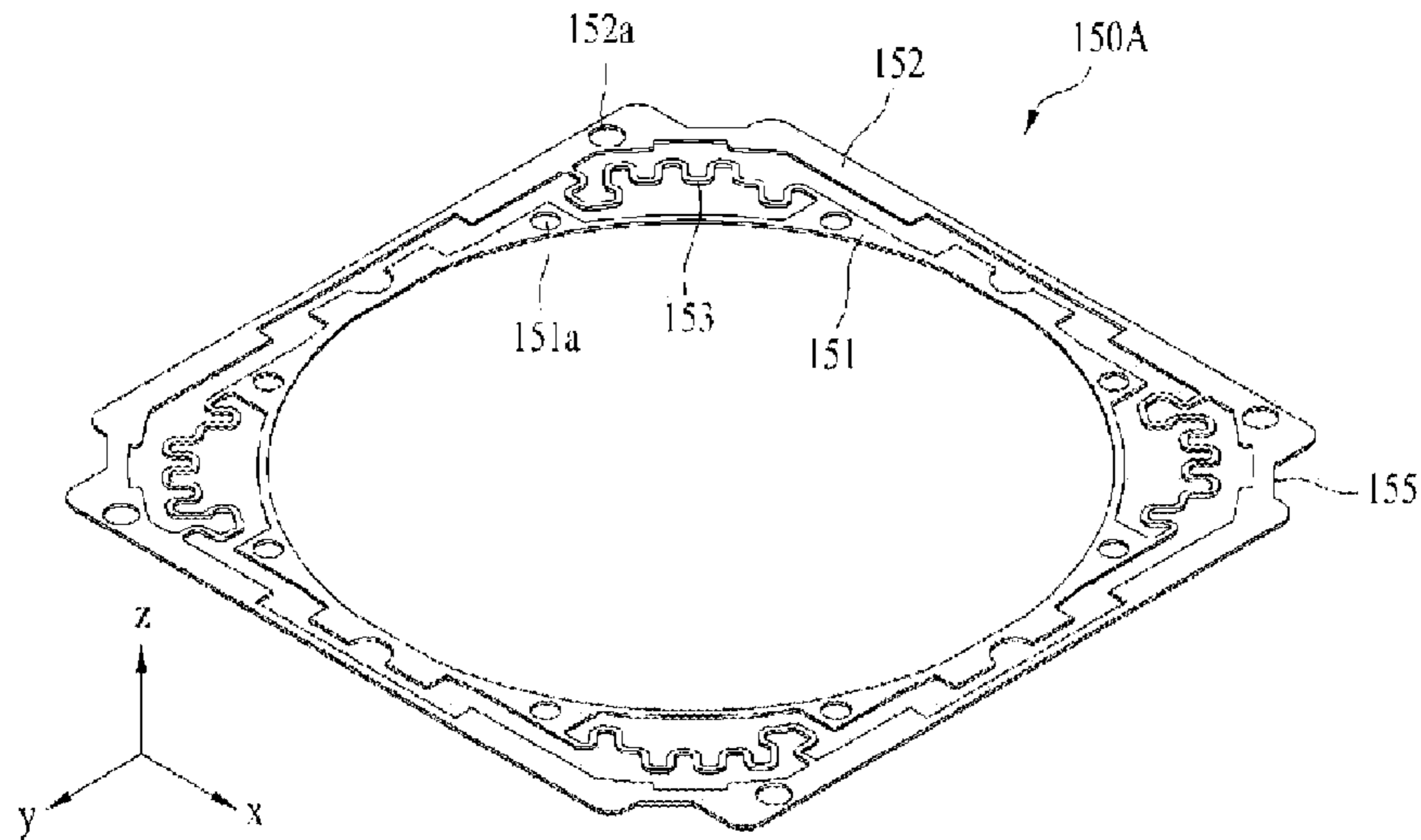


FIG. 14

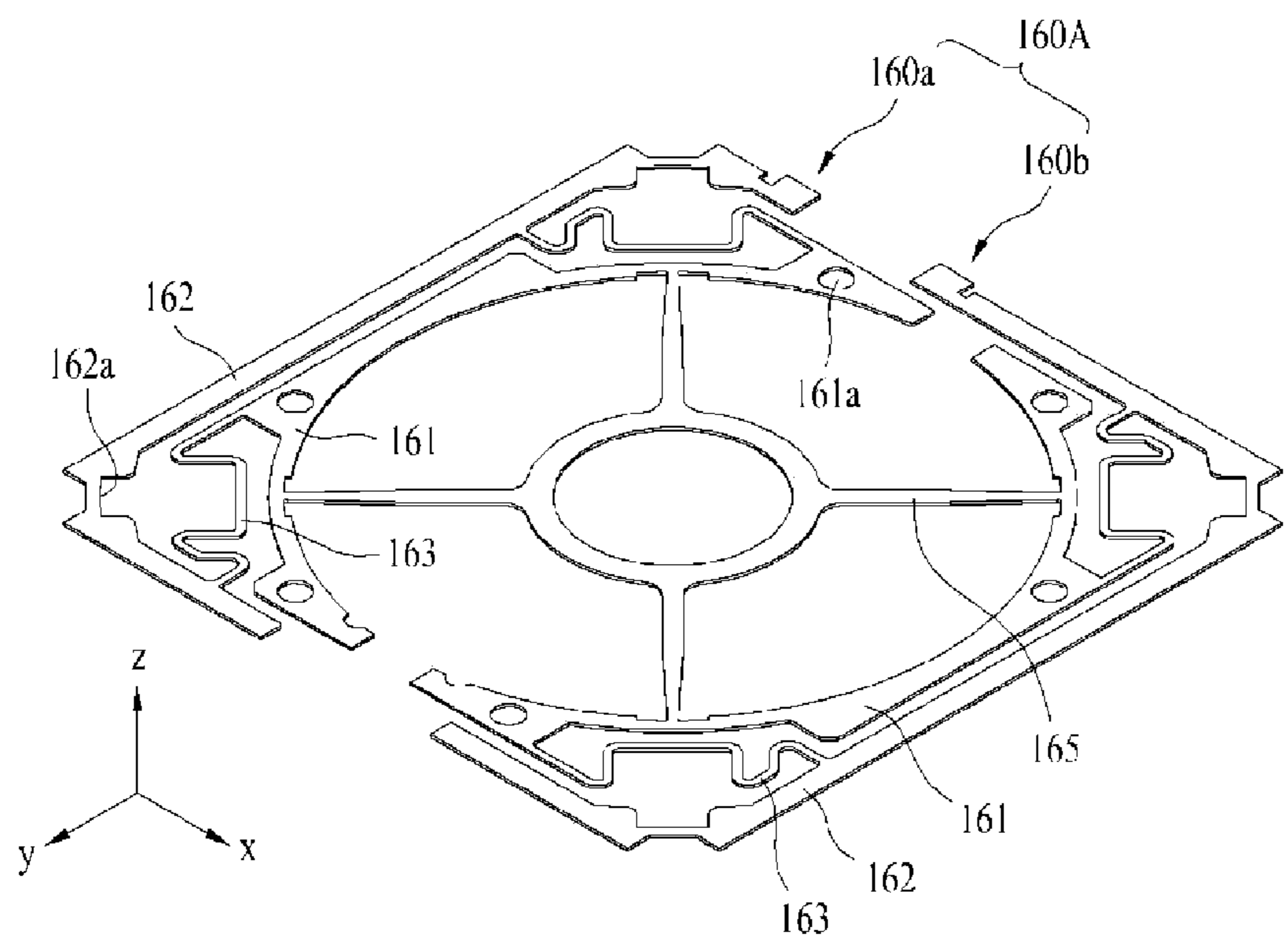


FIG. 15

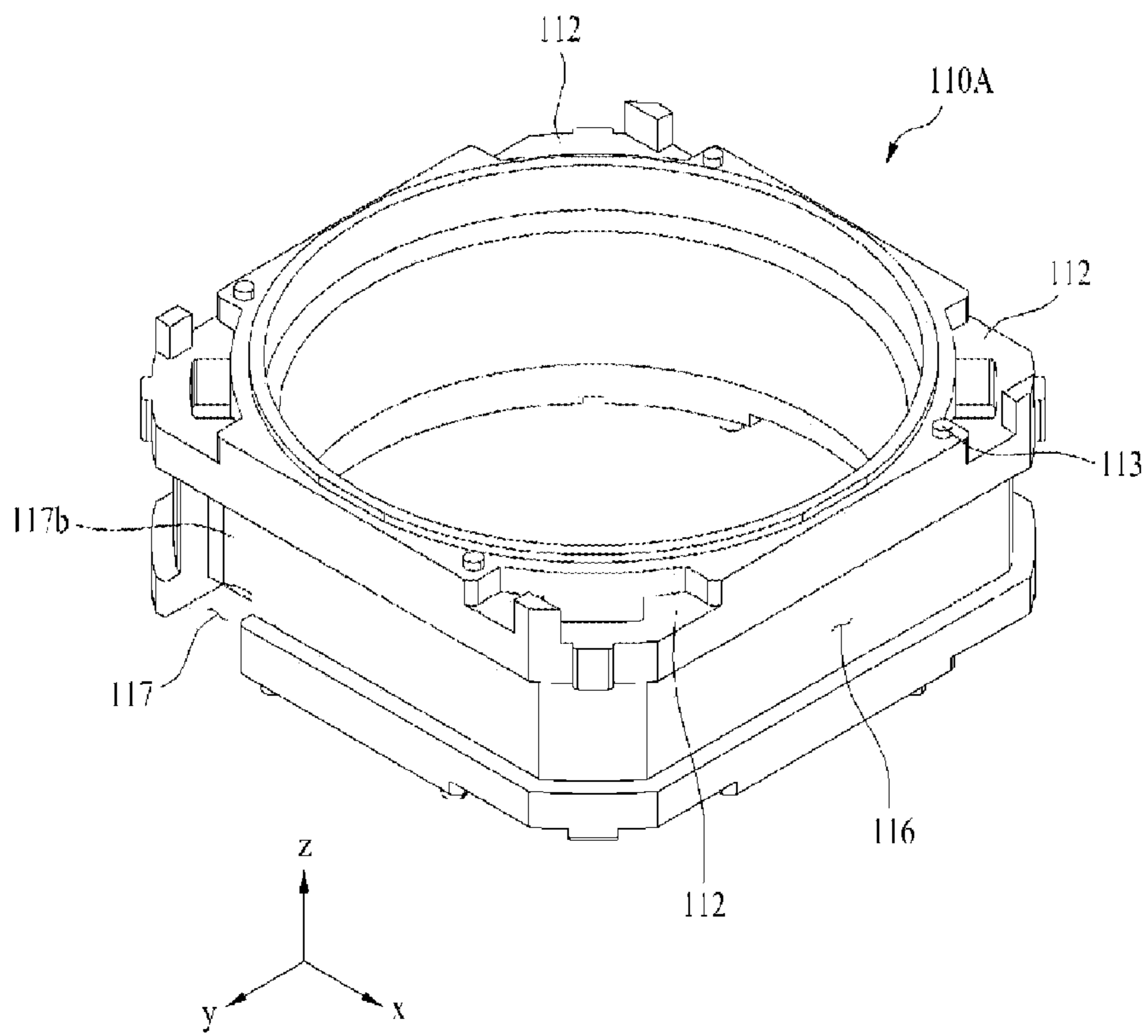


FIG. 16

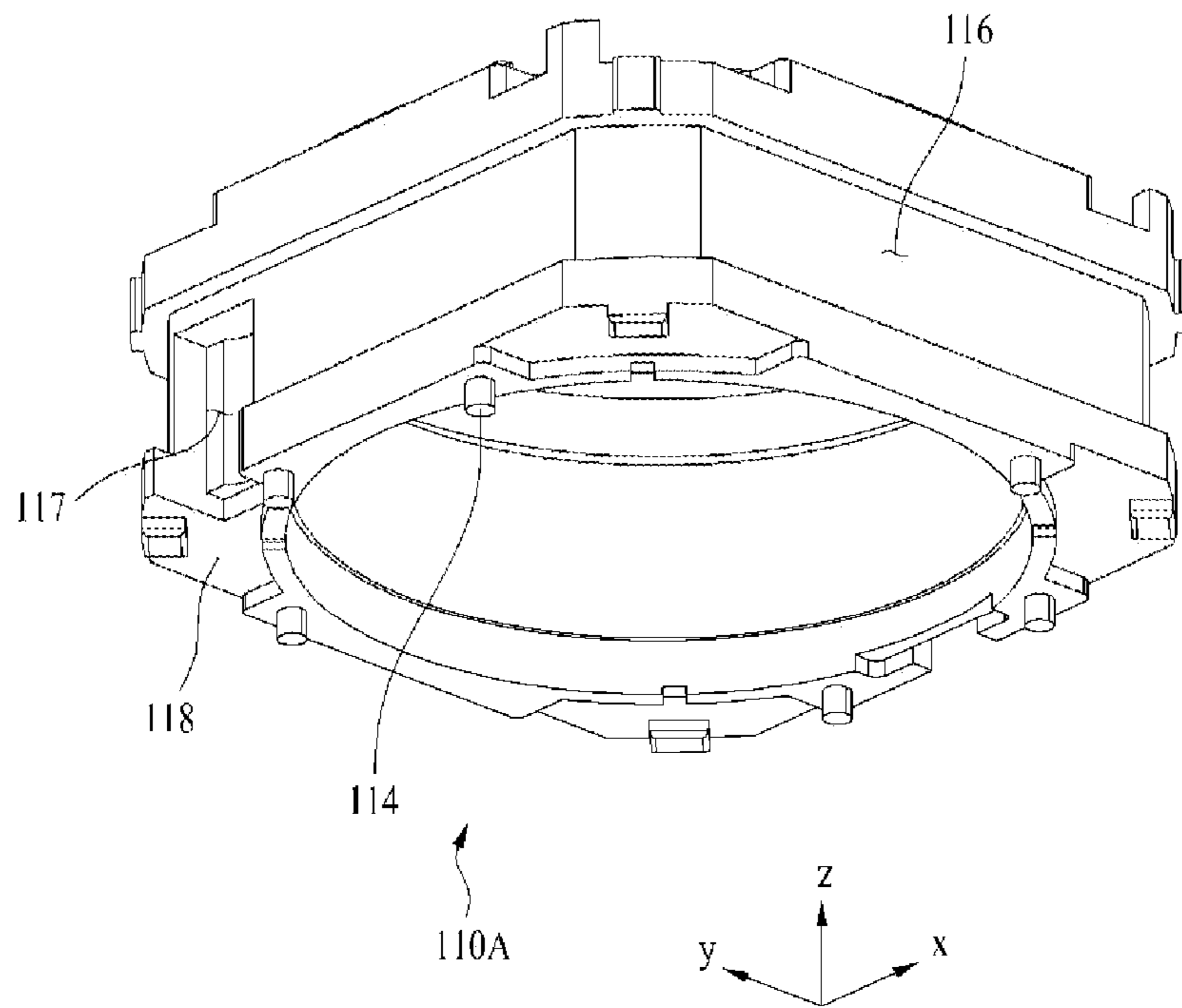


FIG. 17

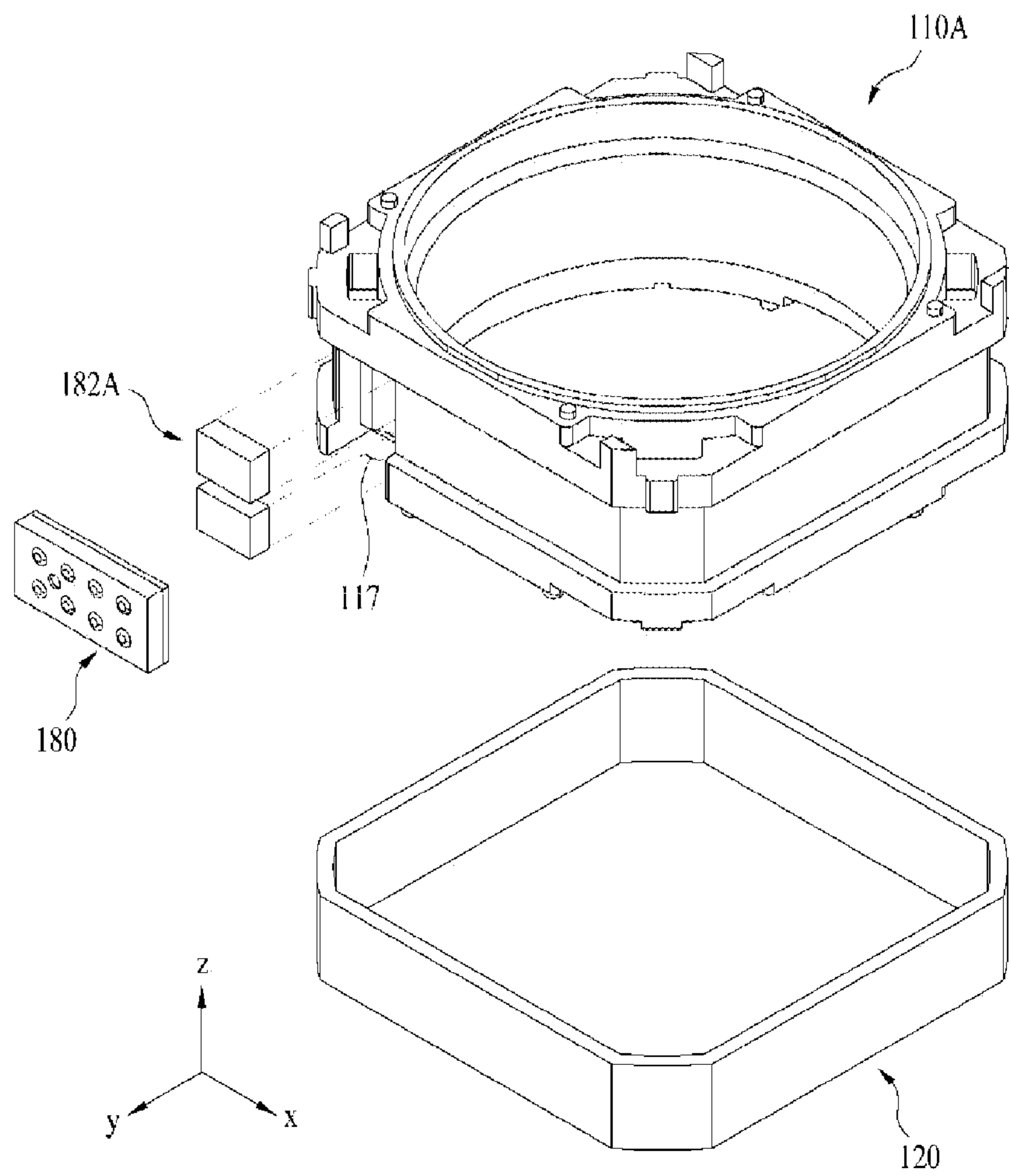


FIG. 18

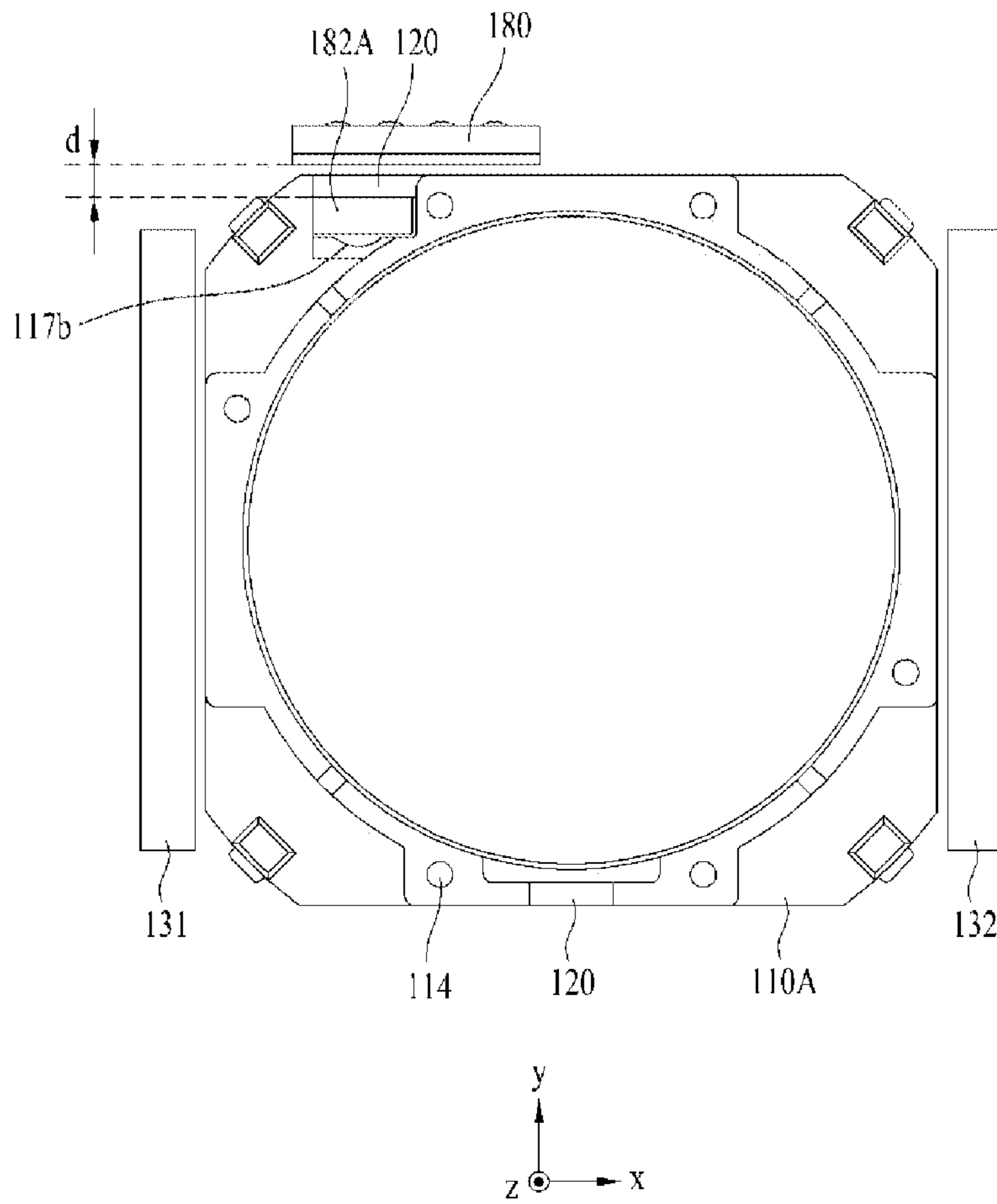


FIG. 19

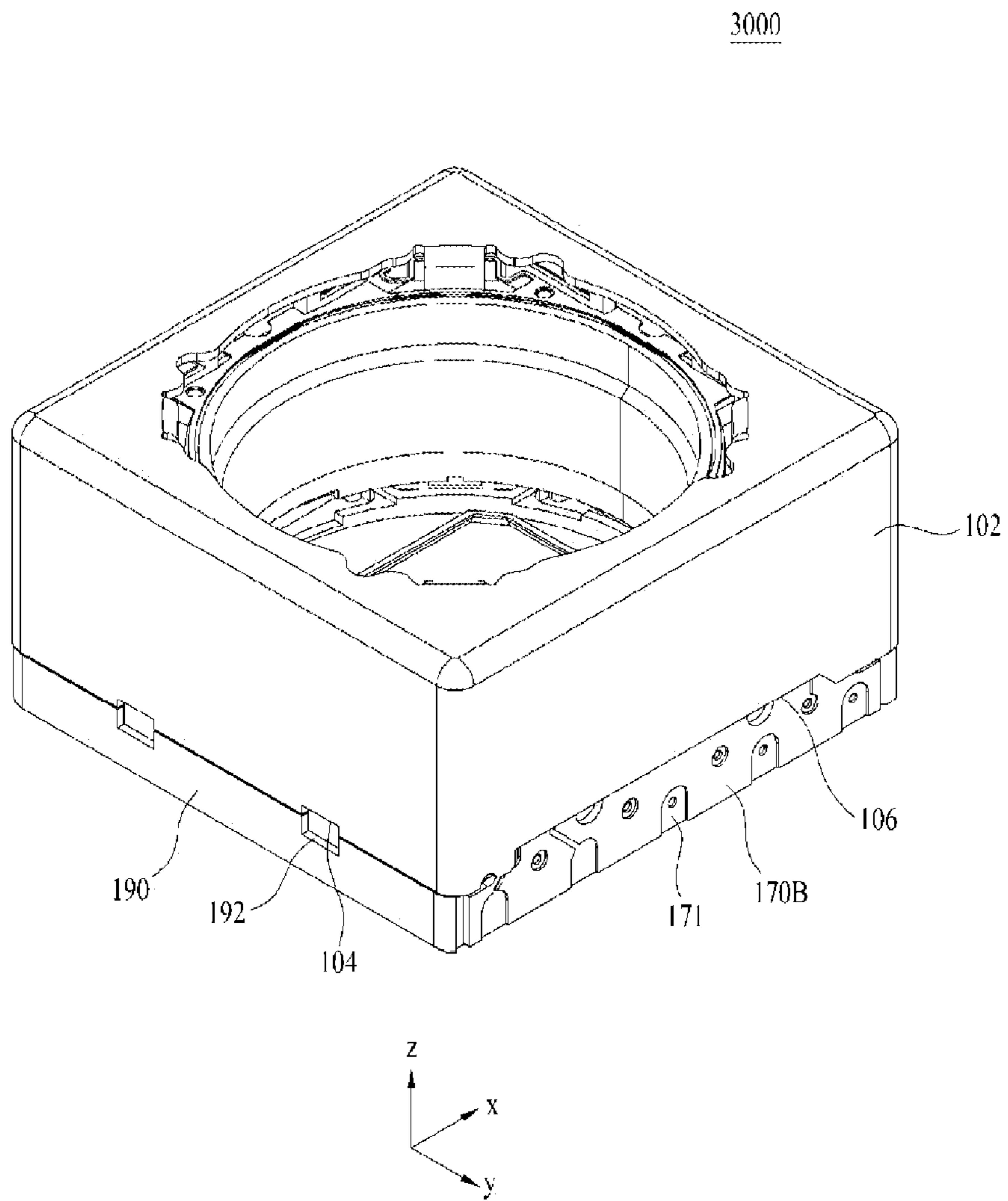


FIG. 20

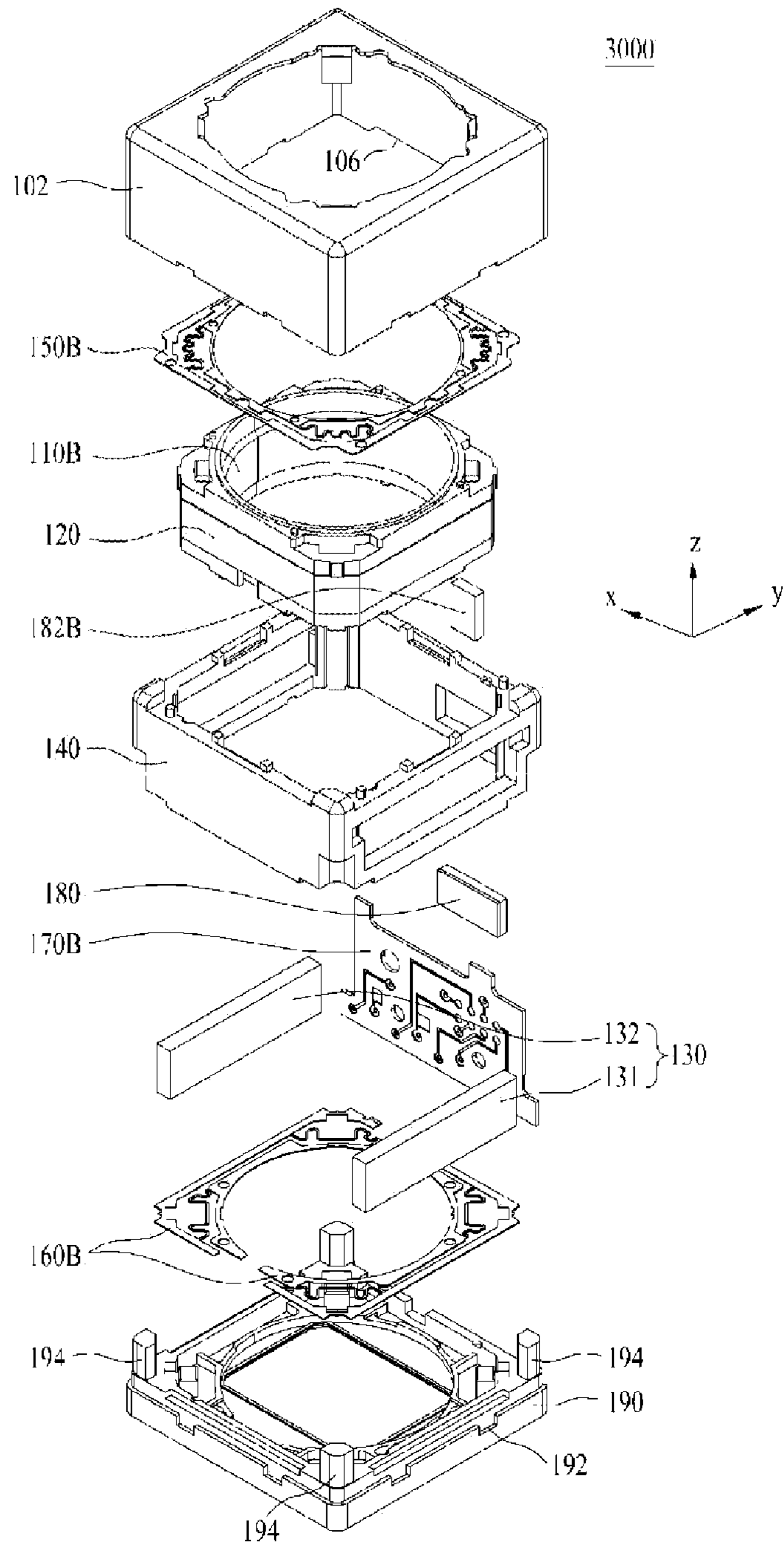


FIG. 21

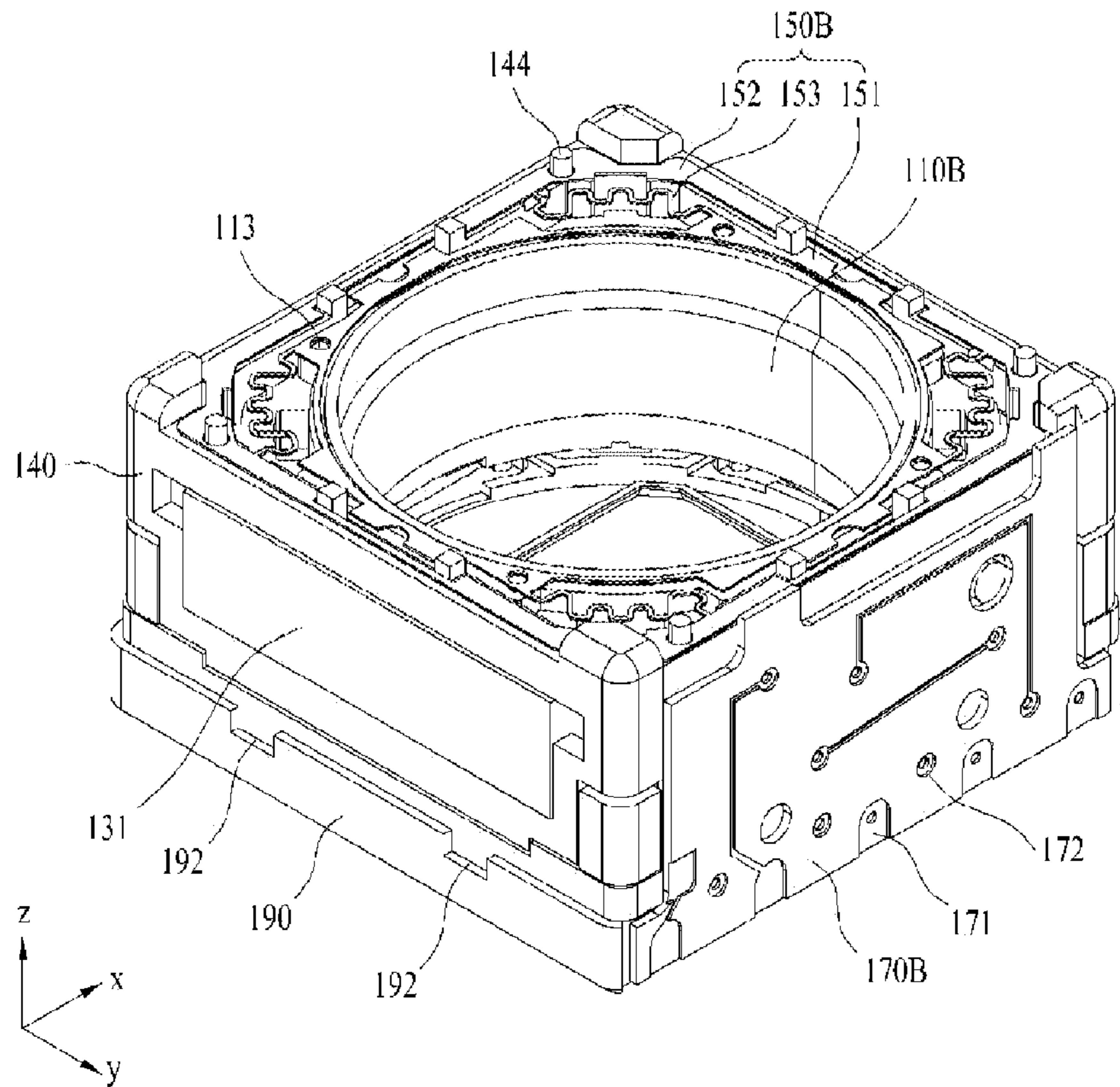


FIG. 22

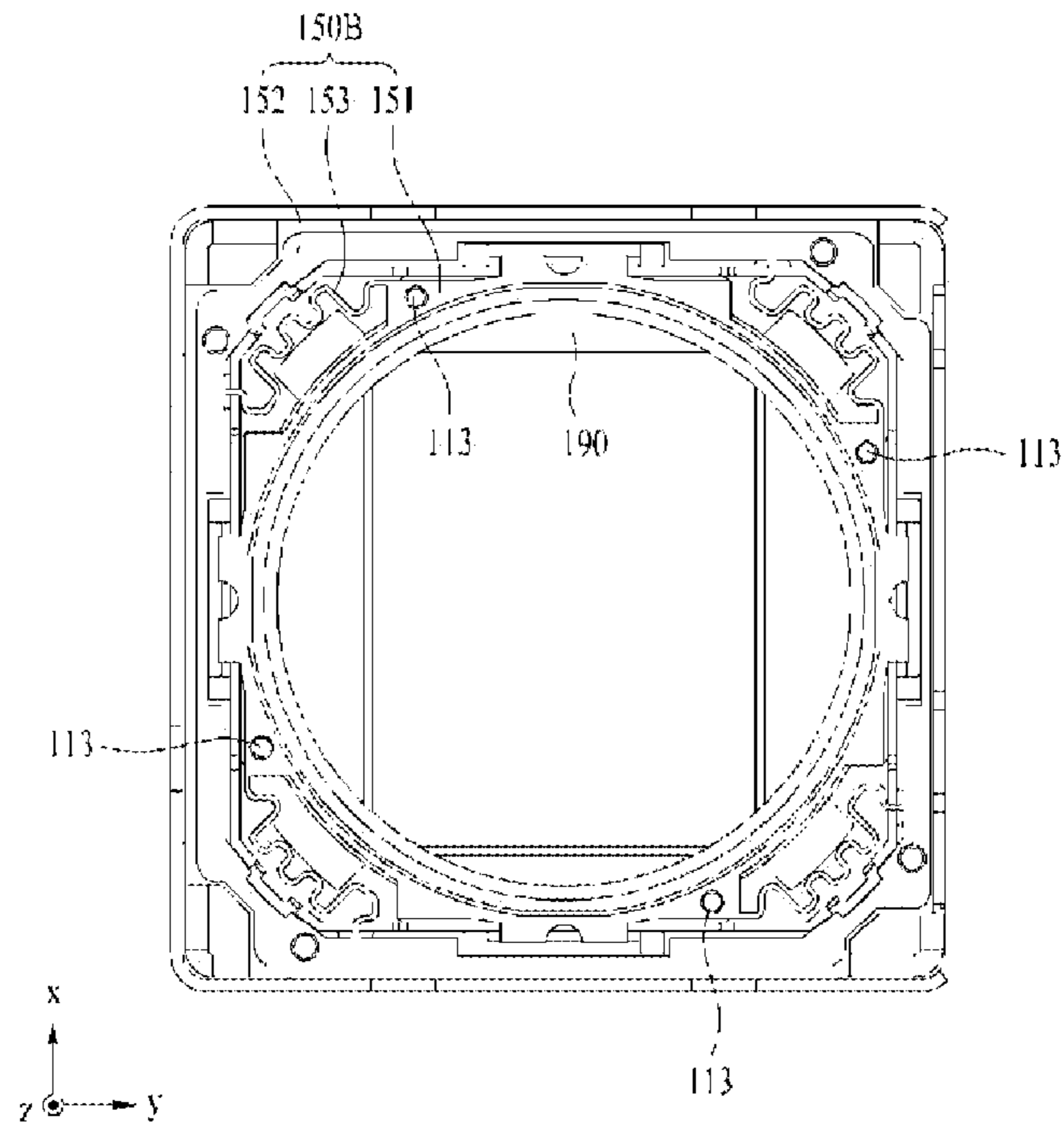


FIG. 23

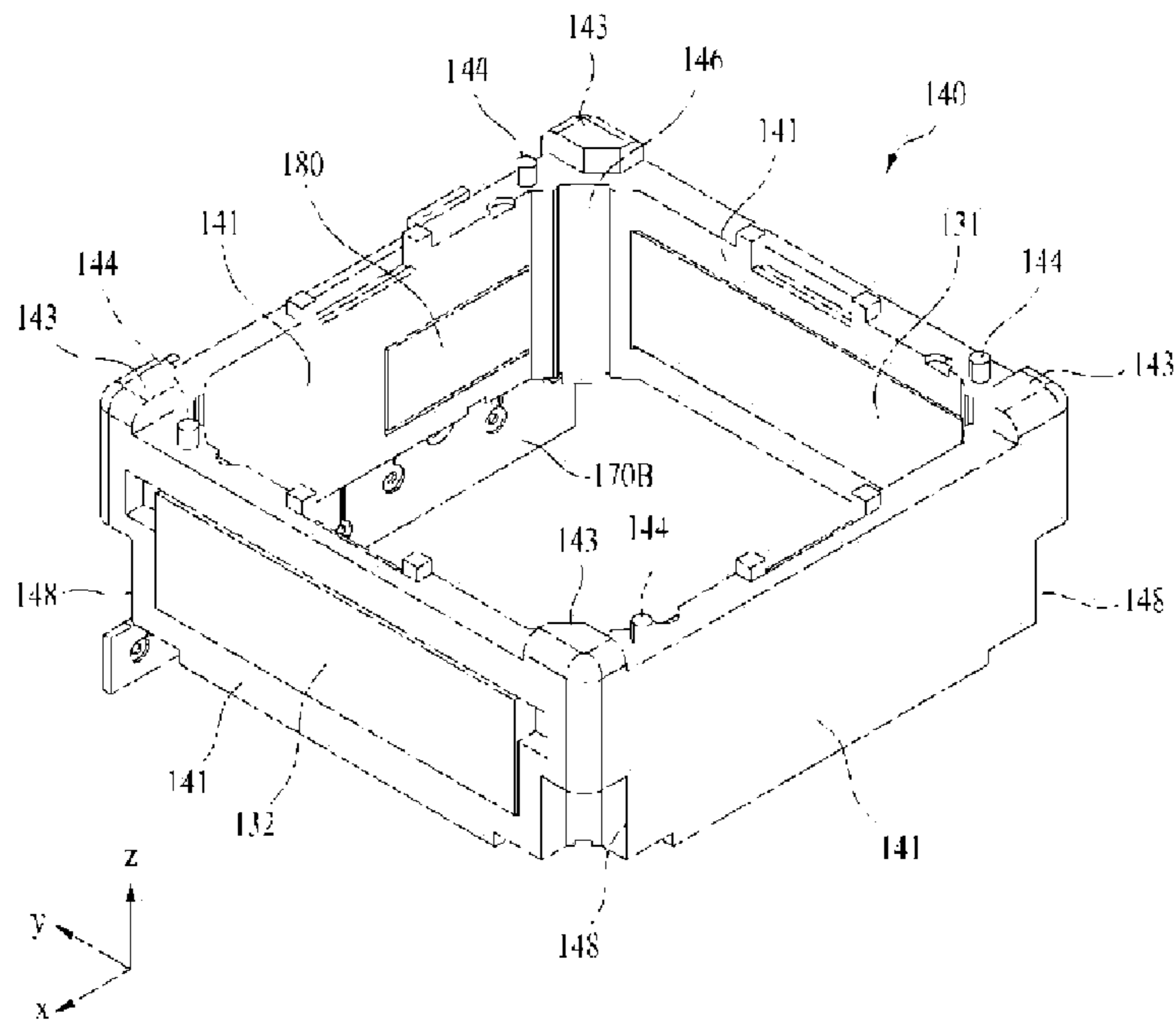


FIG. 24

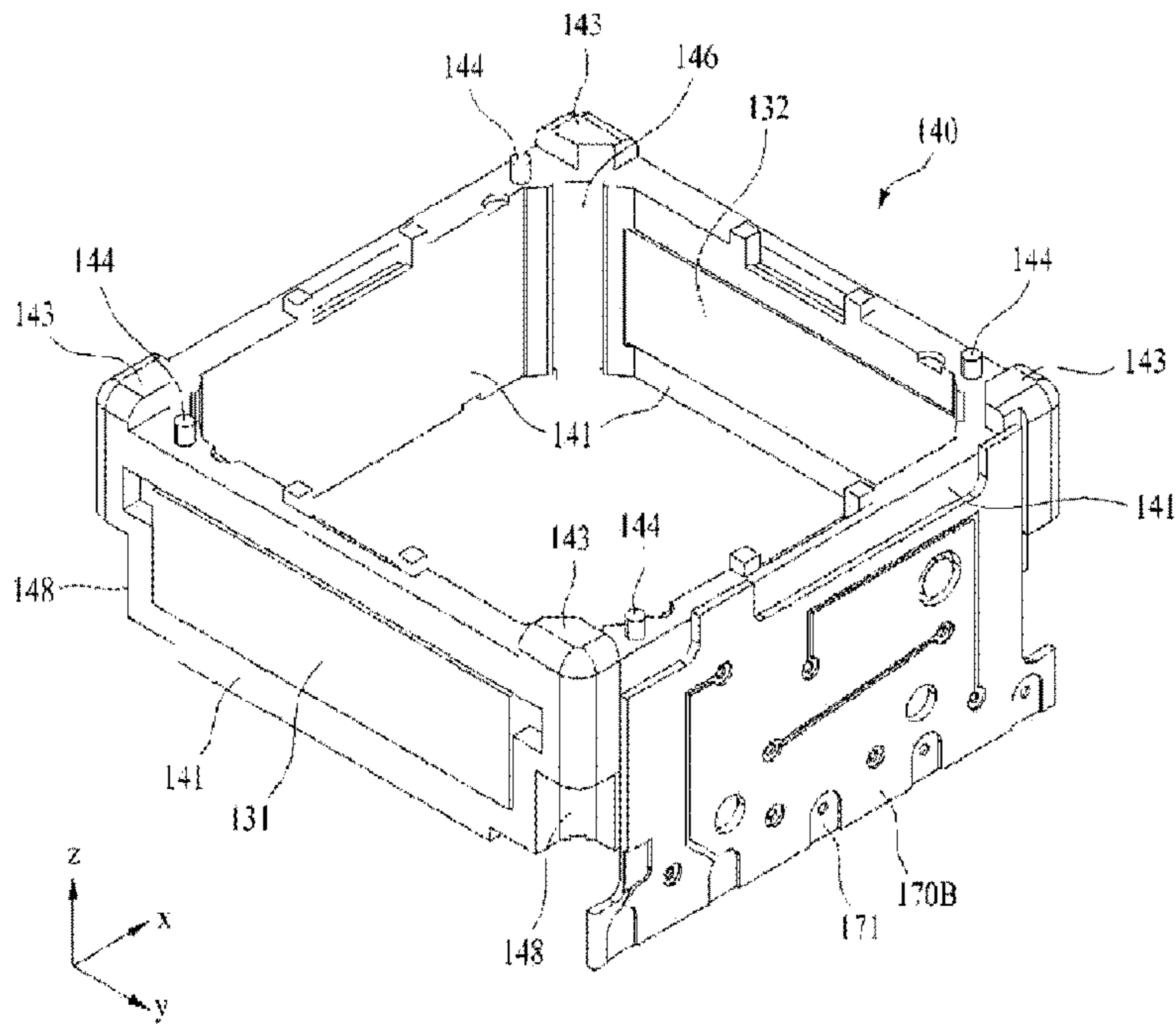


FIG. 25

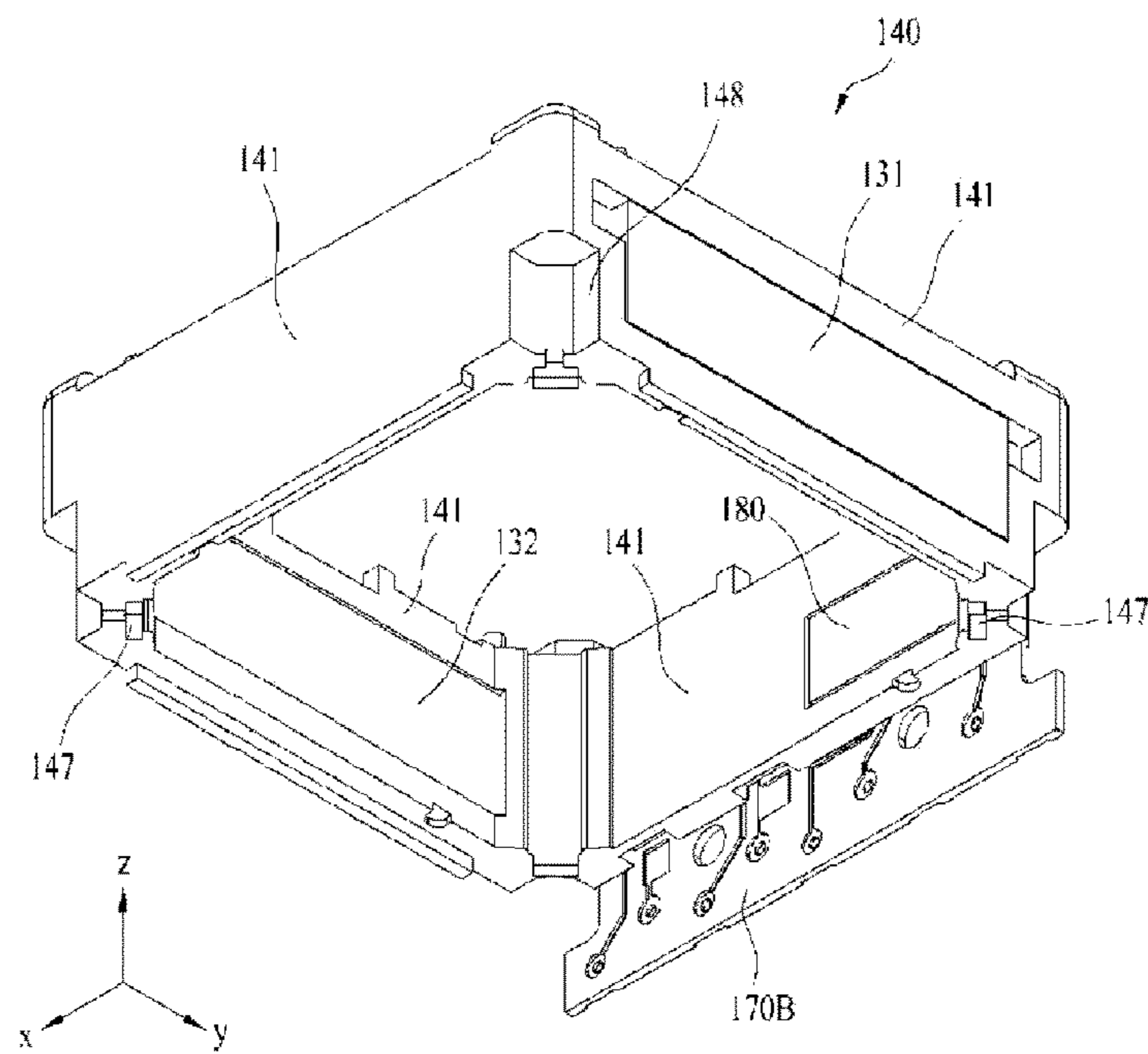


FIG. 26

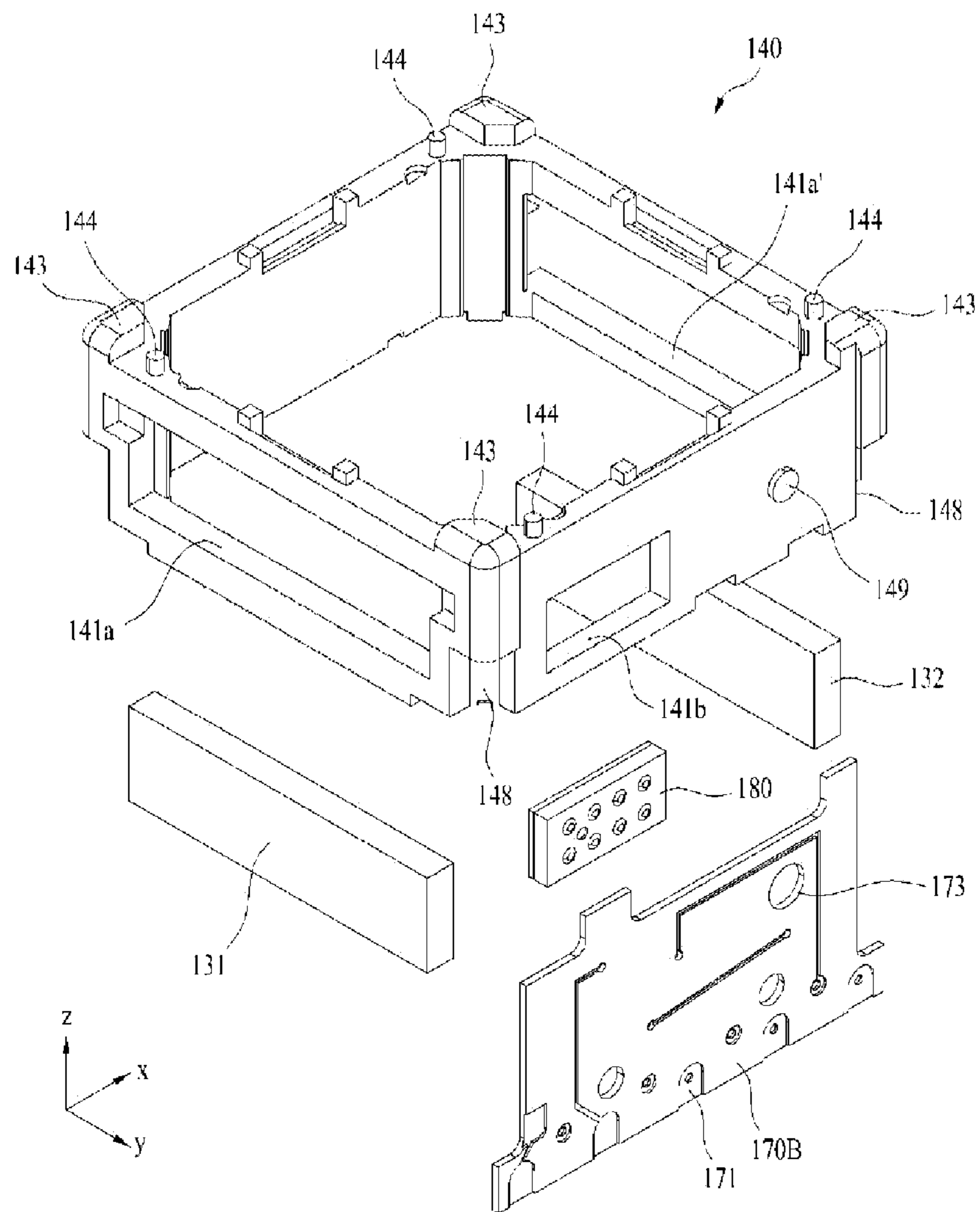


FIG. 27

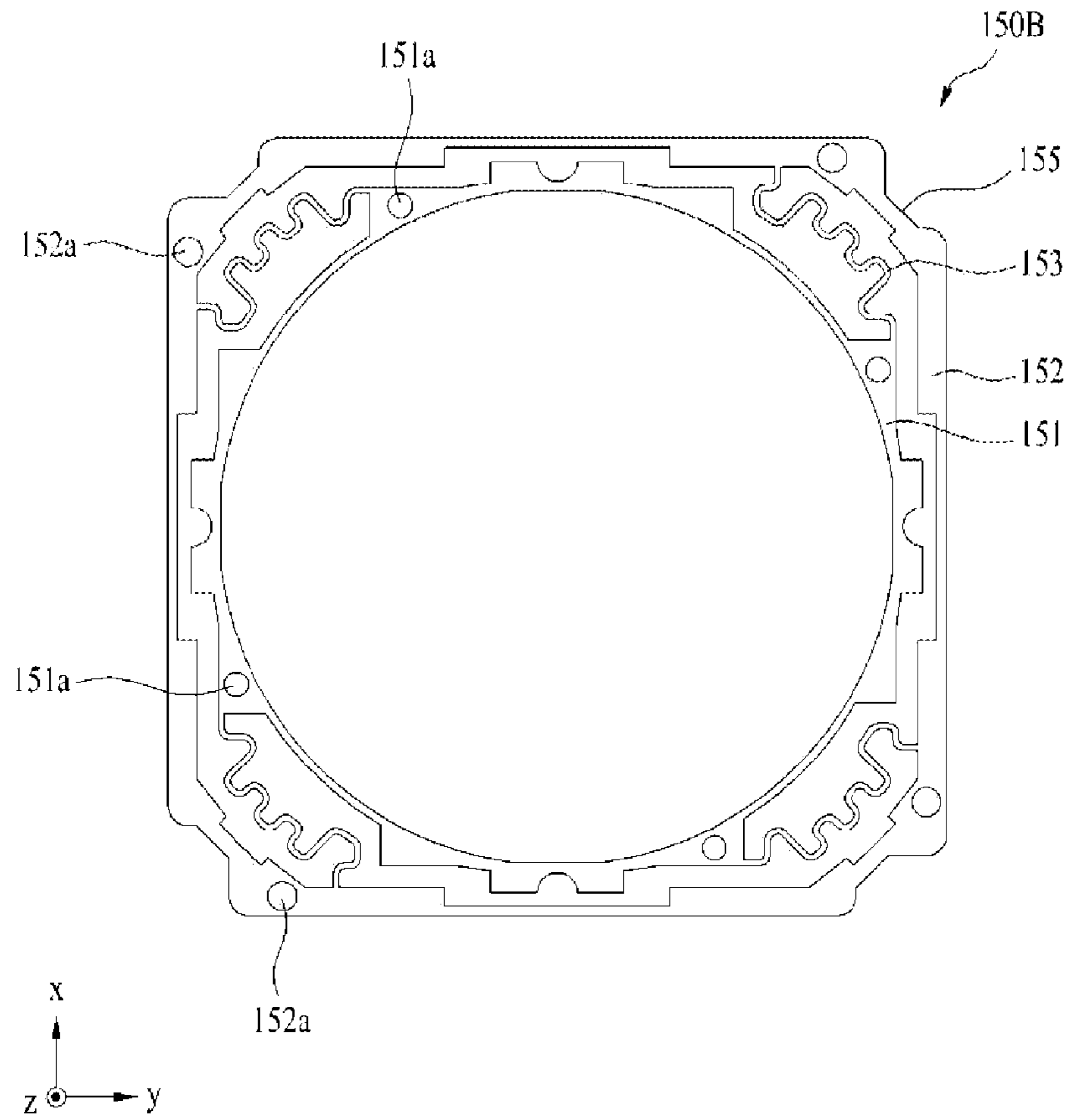


FIG. 28

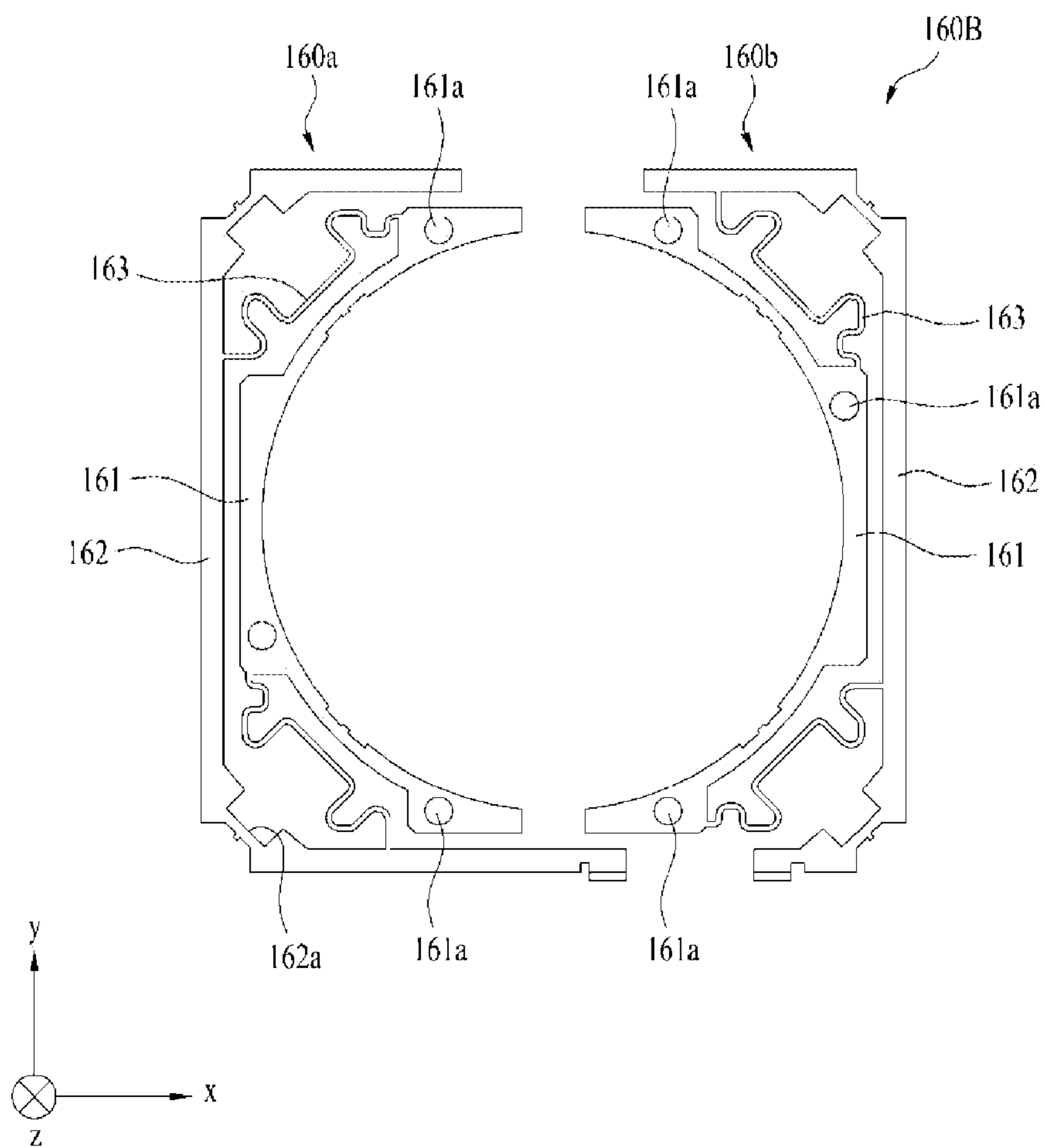


FIG. 29

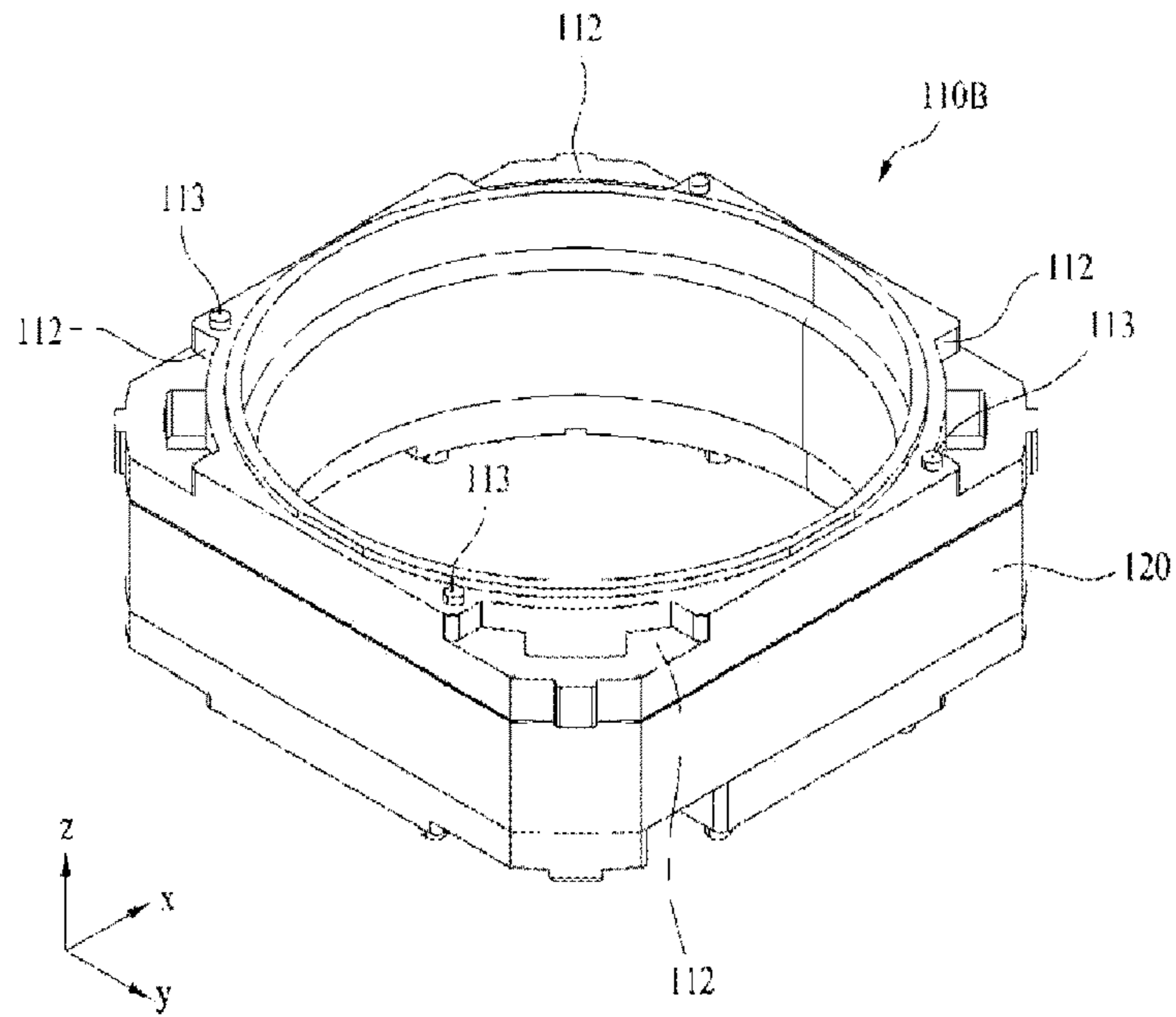


FIG. 30

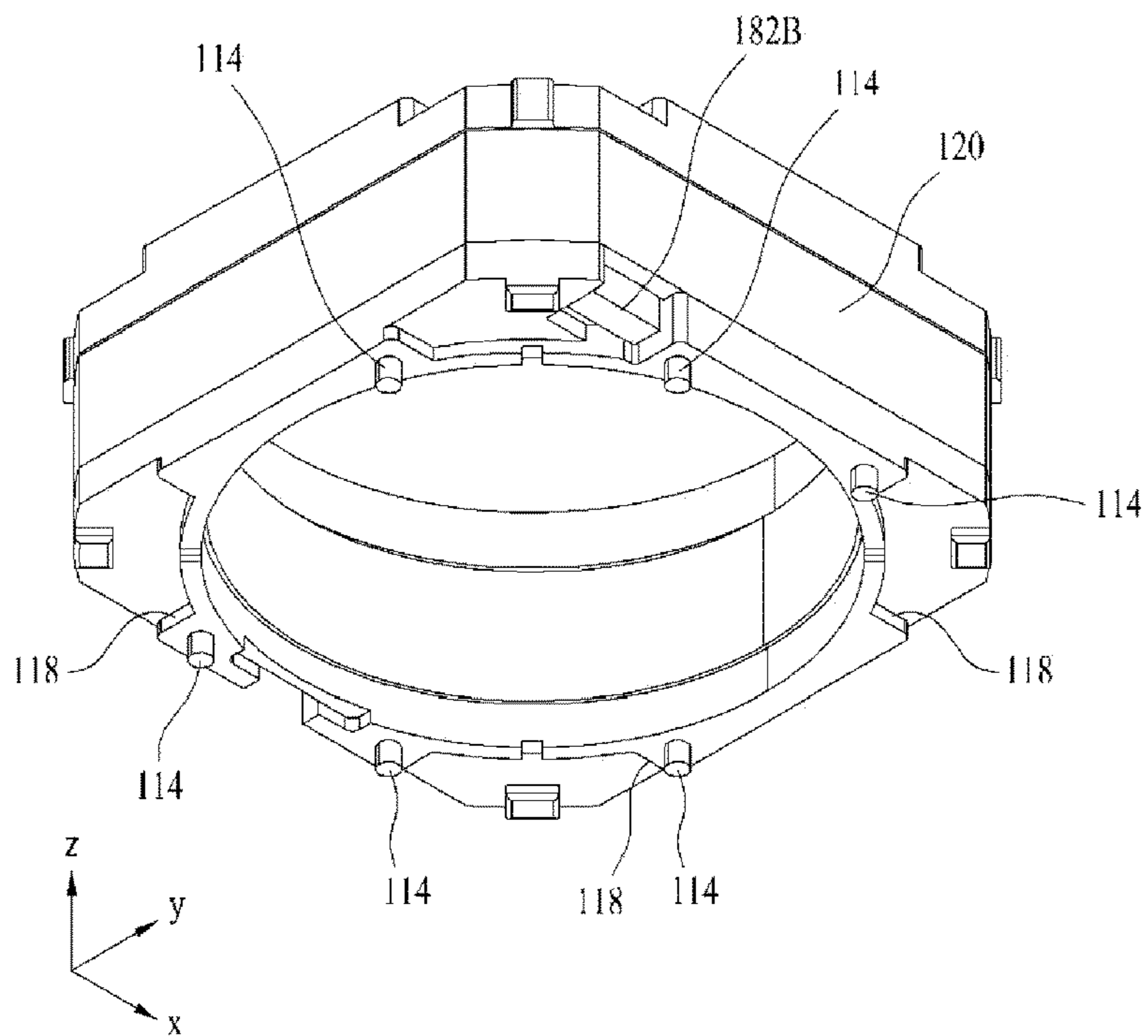


FIG. 31

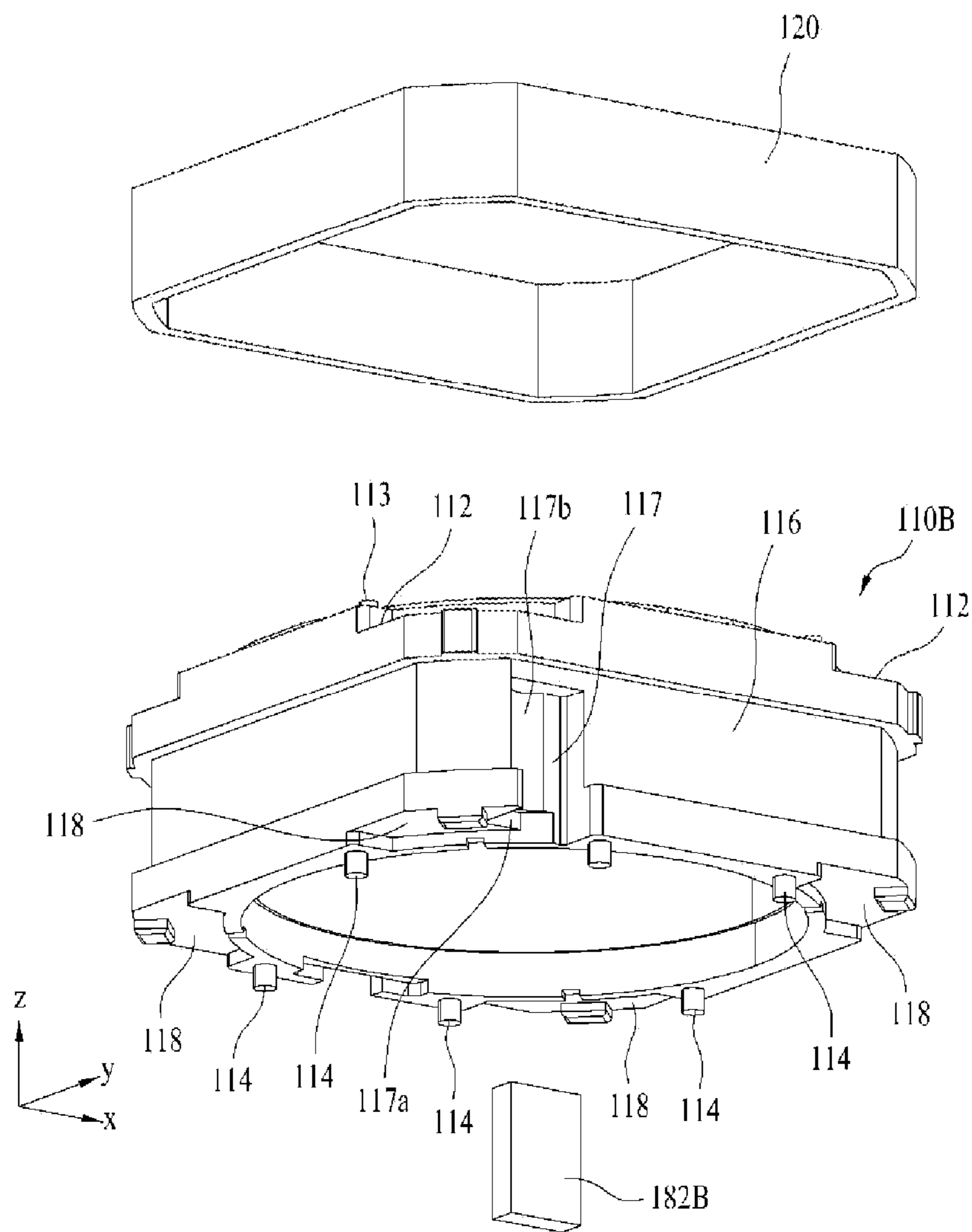


FIG. 32

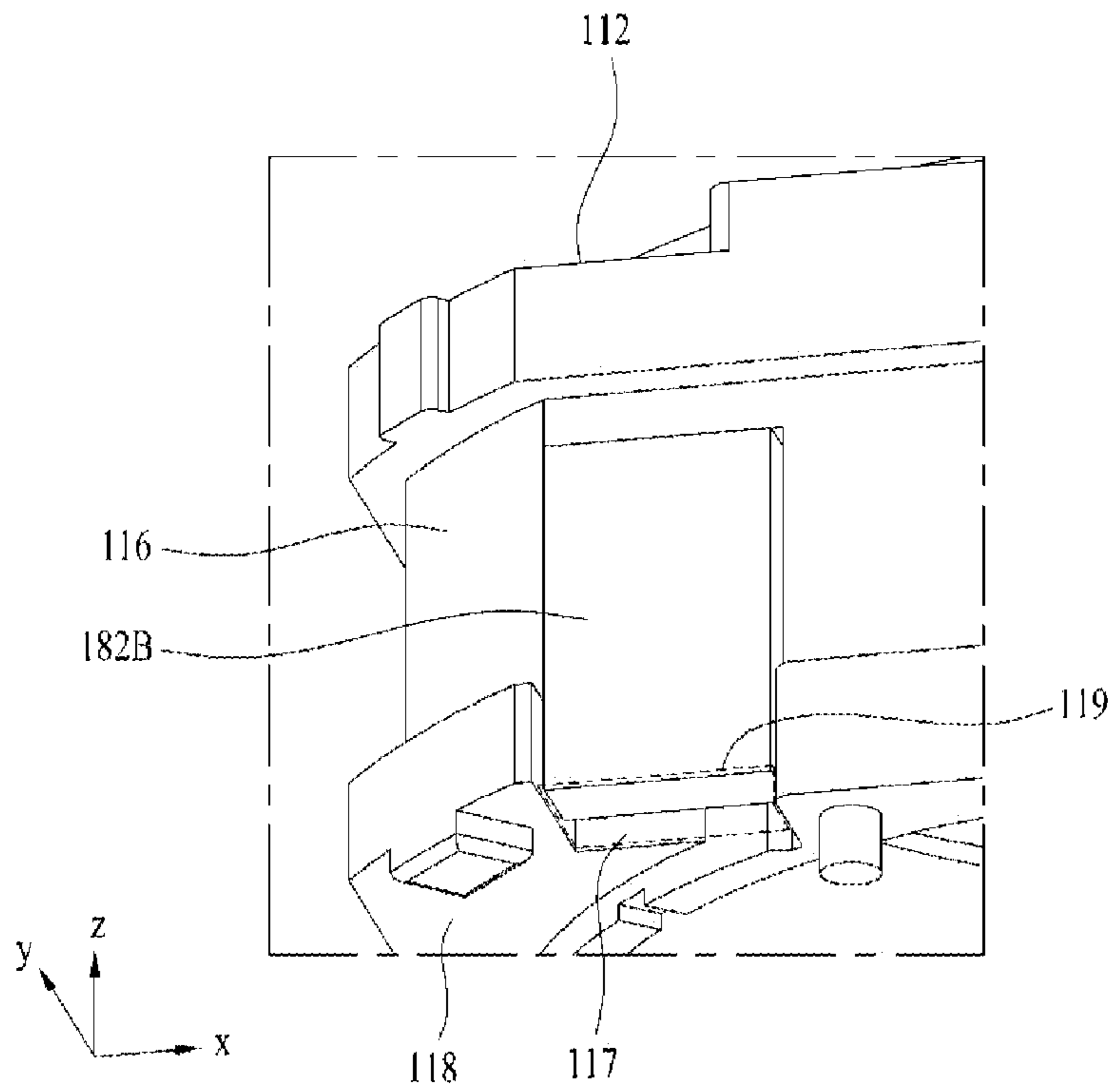


FIG. 33

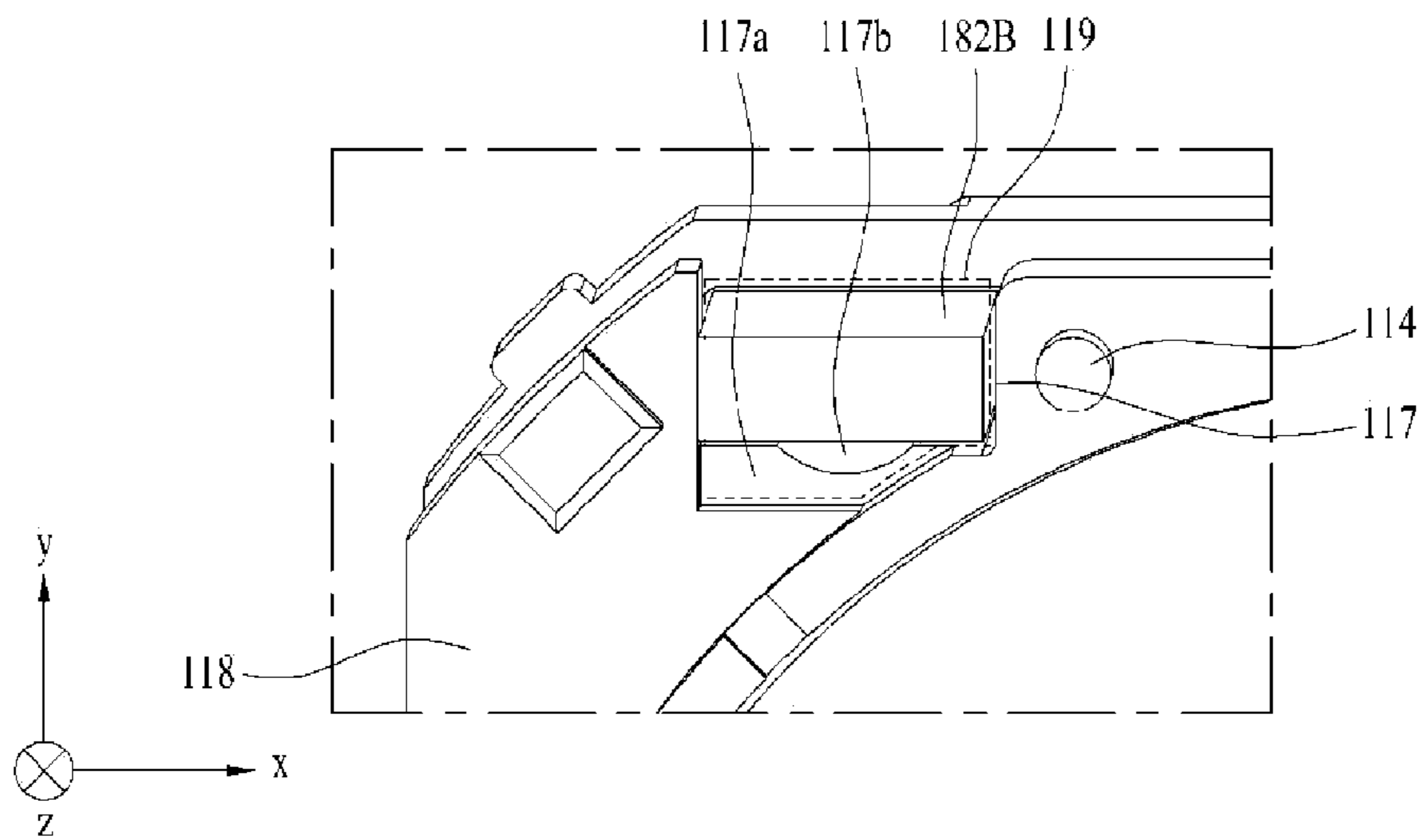


FIG. 34

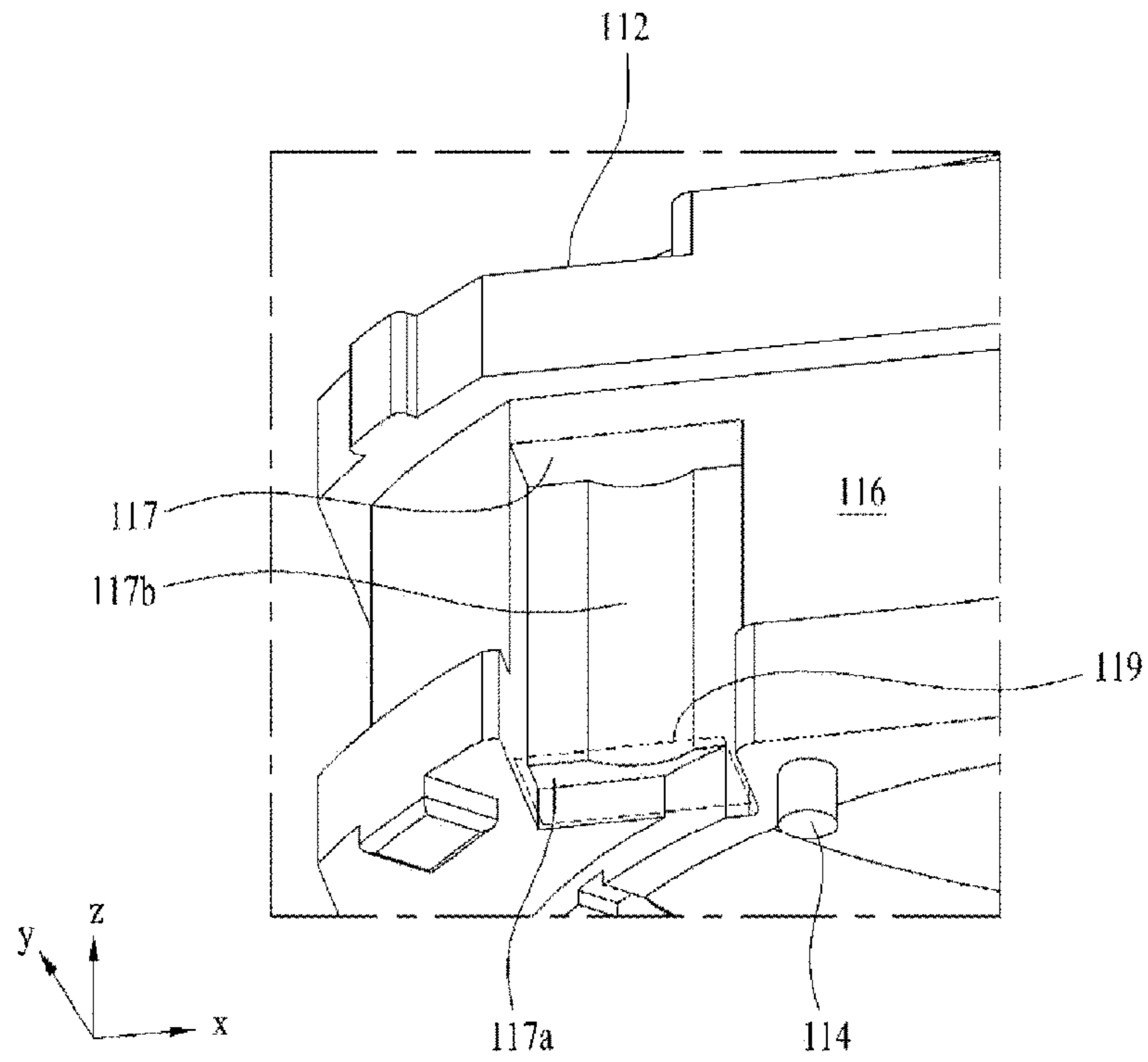


FIG. 35

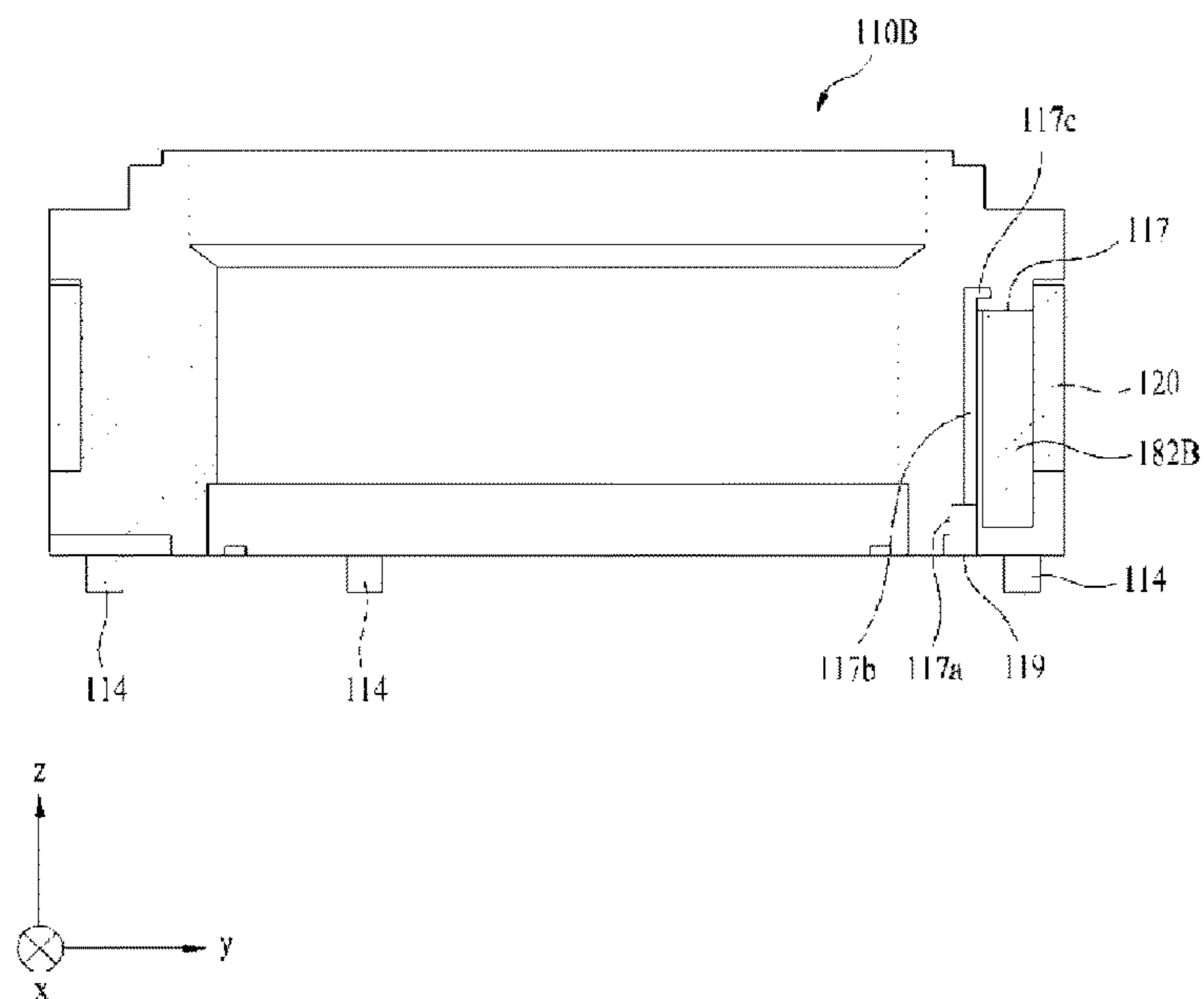


FIG. 36

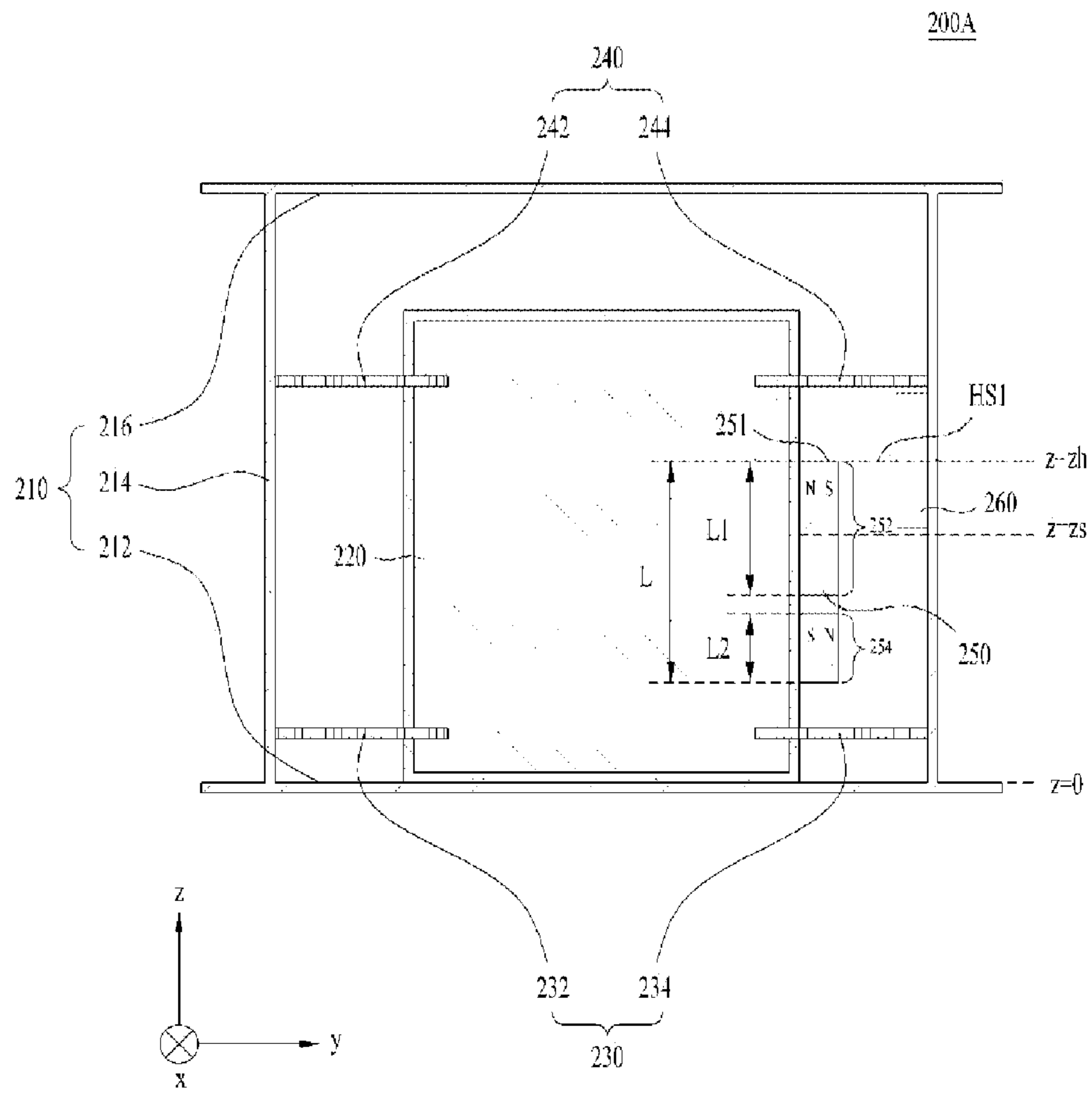


FIG. 37a

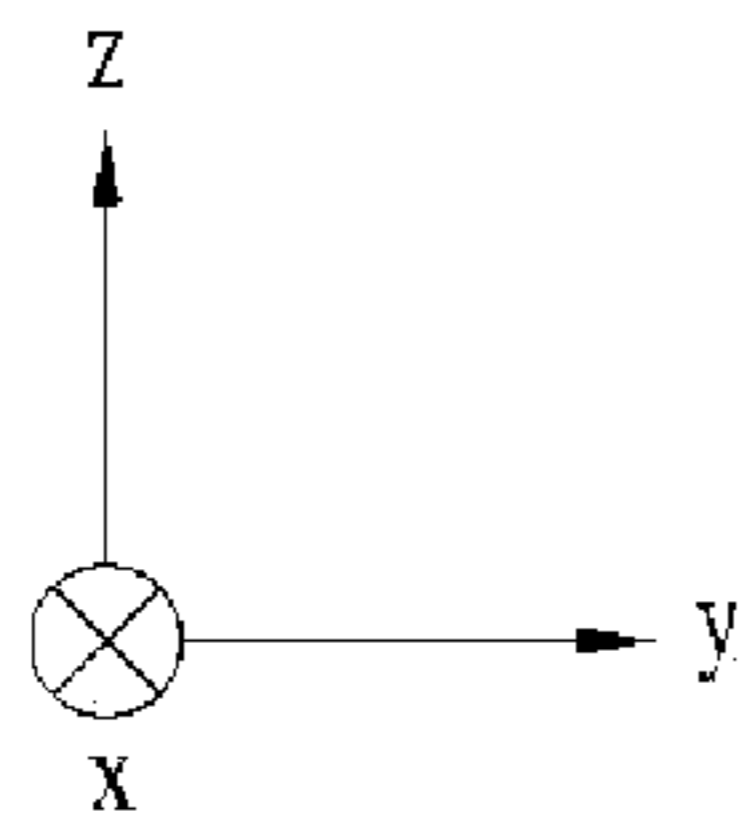
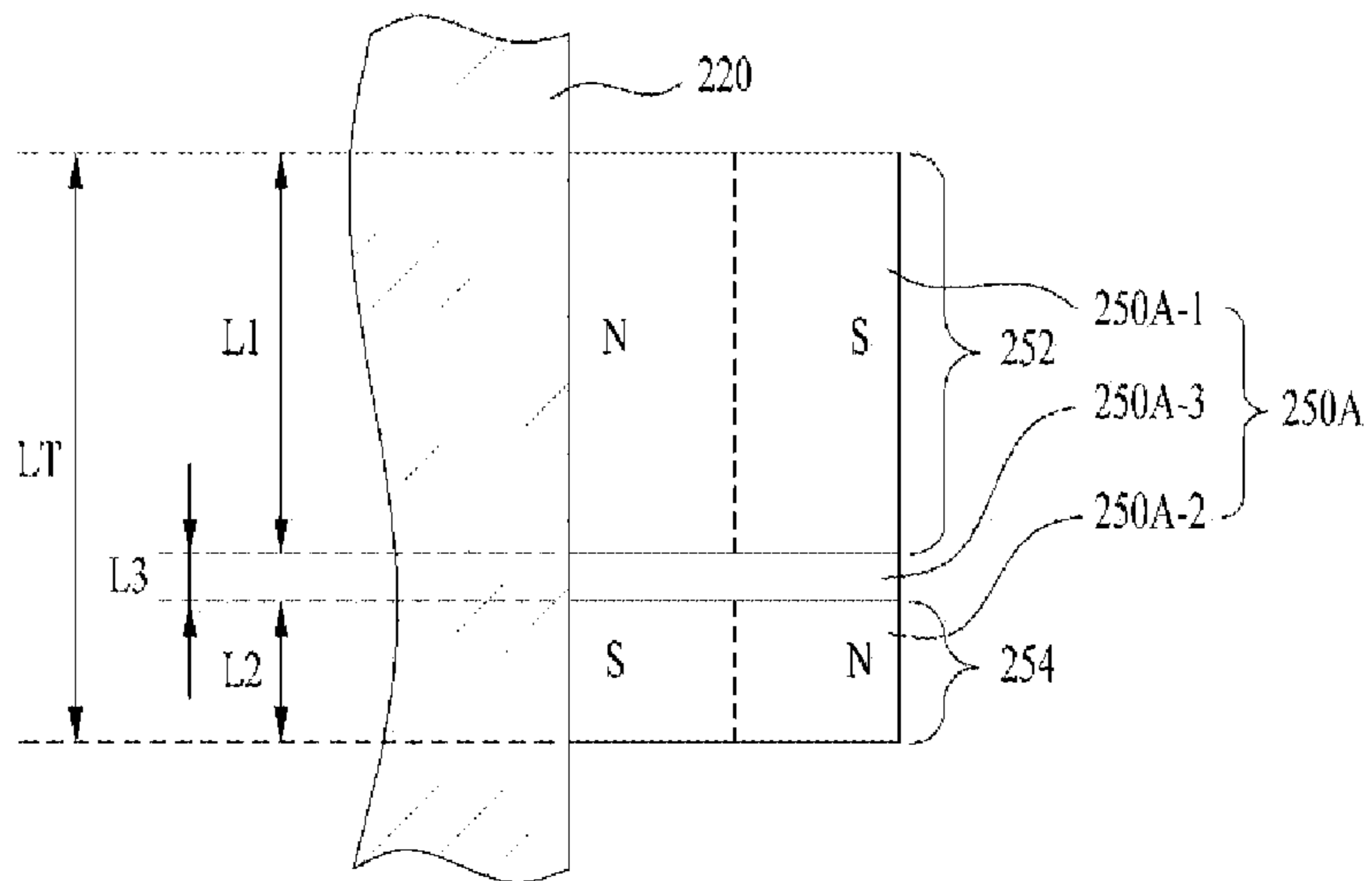


FIG. 37b

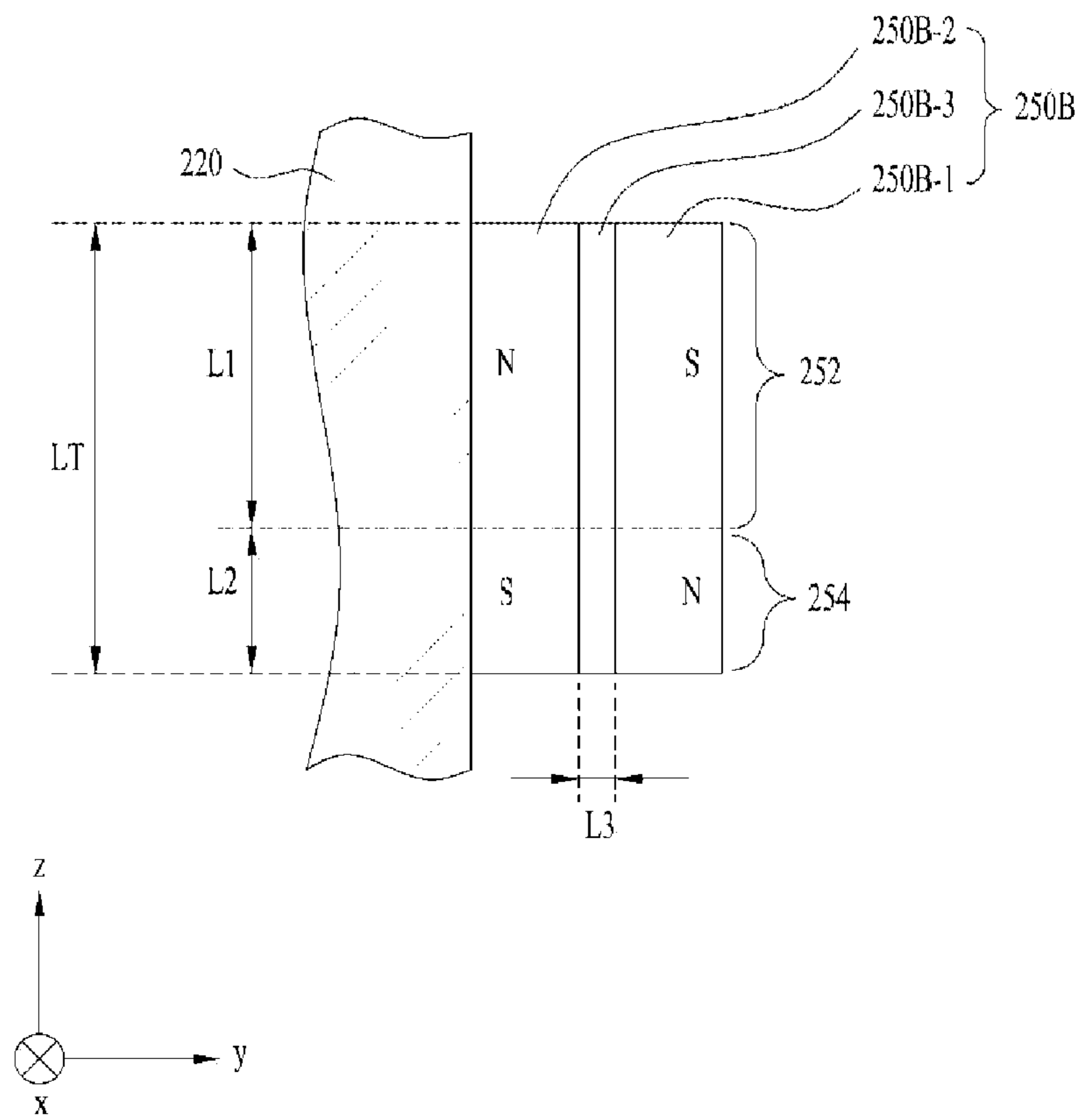


FIG. 38

MAGNETIC FIELD
(OR OUTPUT VOLTAGE)

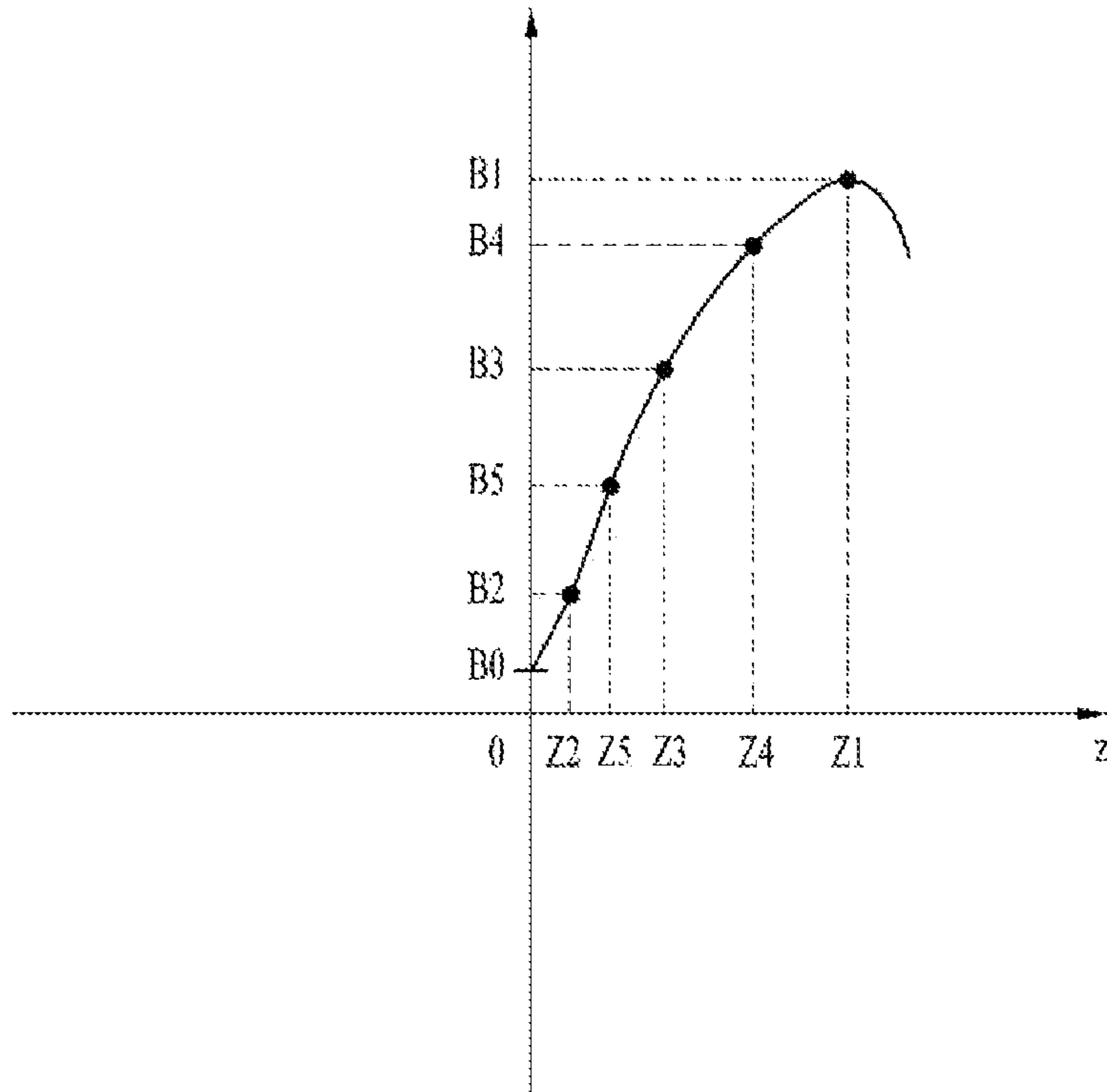


FIG. 39

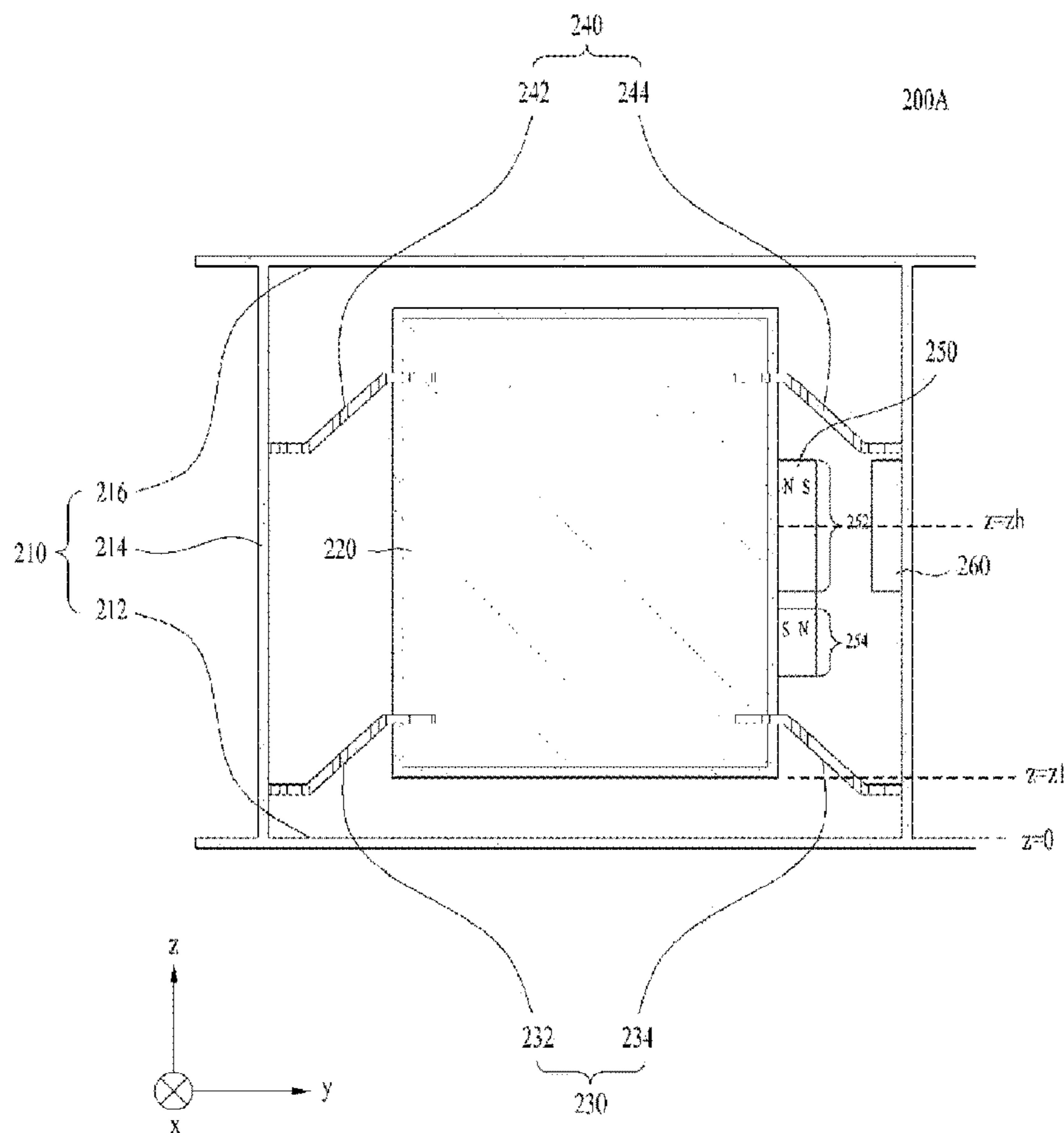


FIG. 40

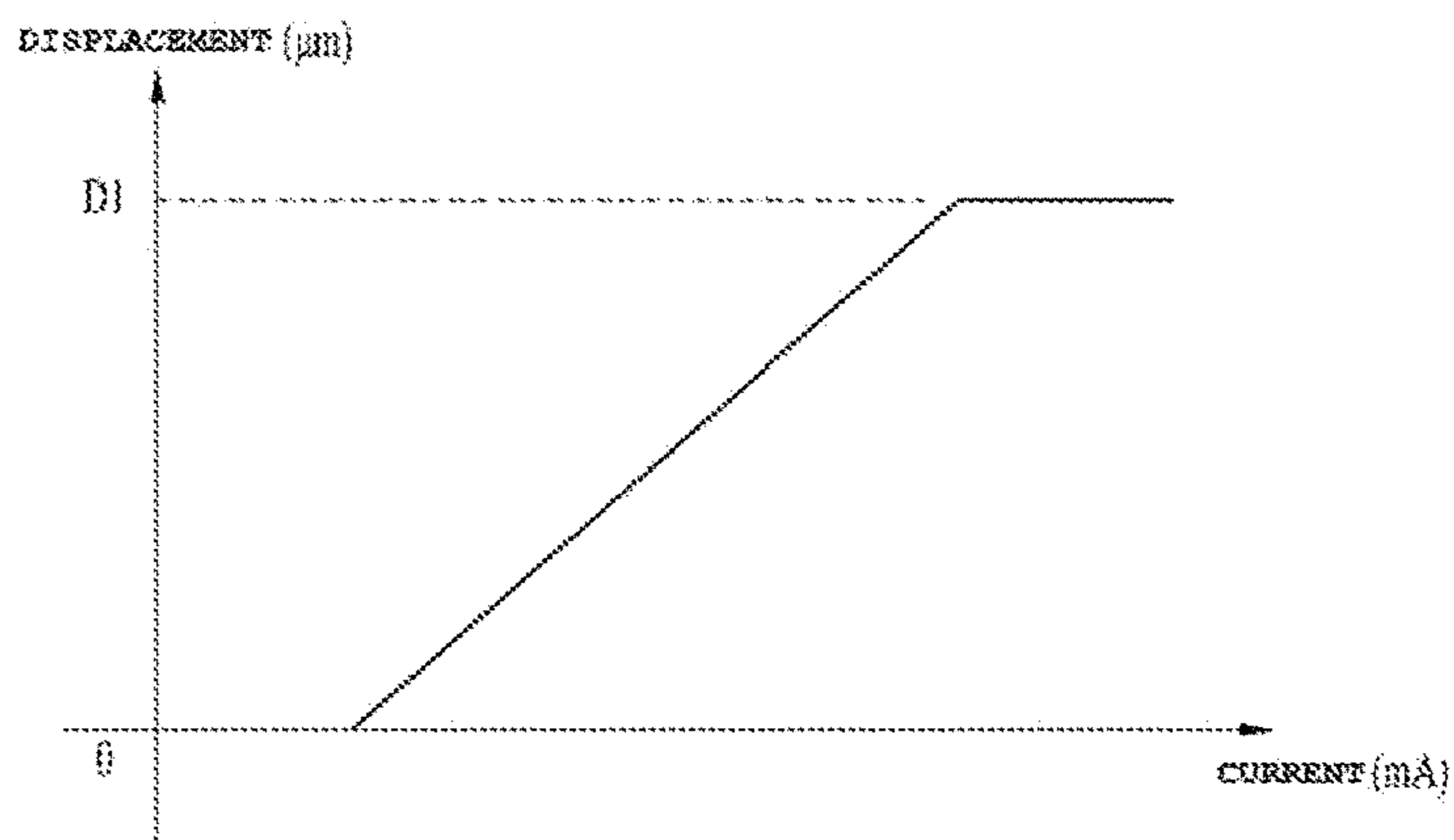


FIG. 41

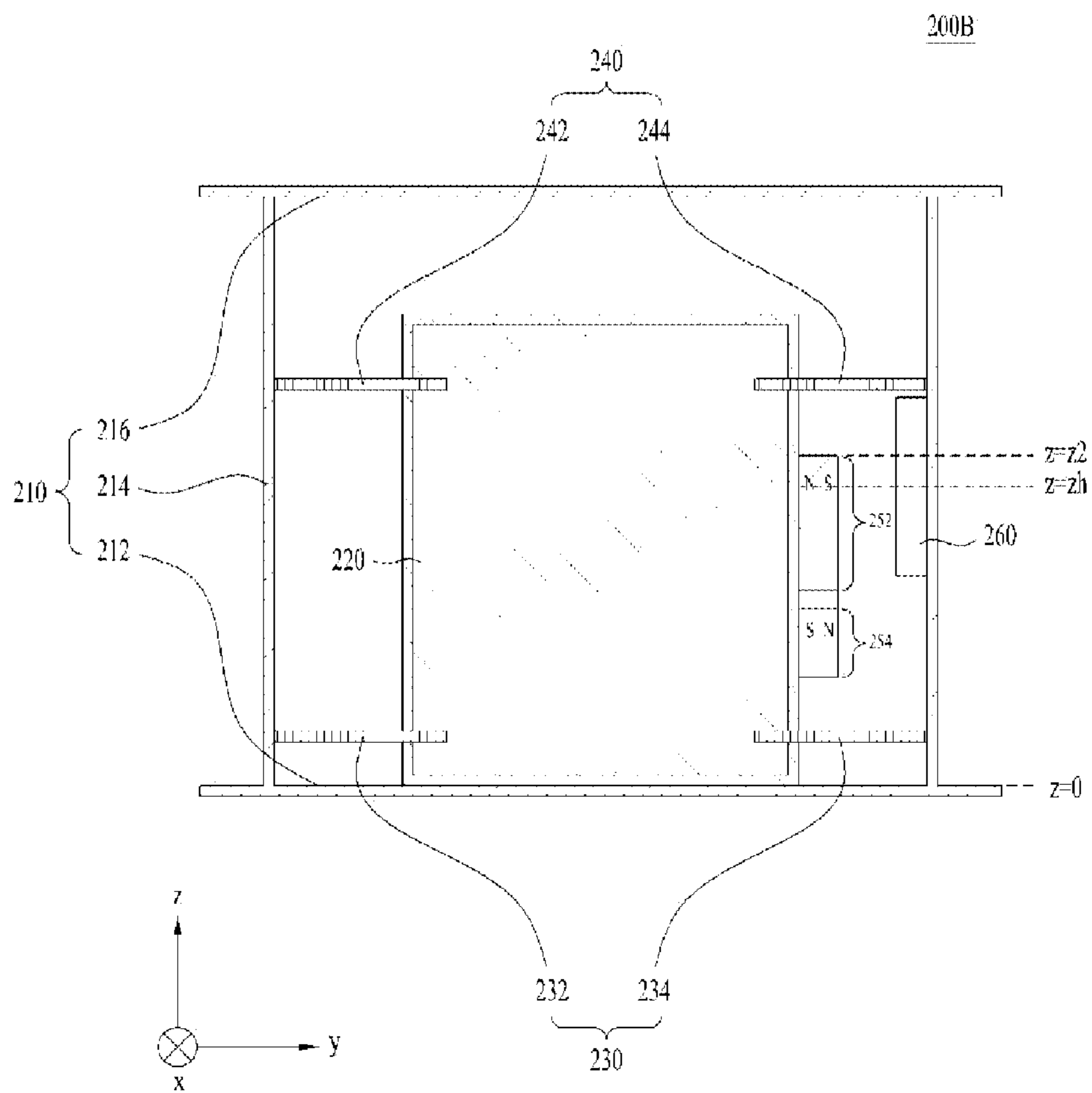


FIG. 42

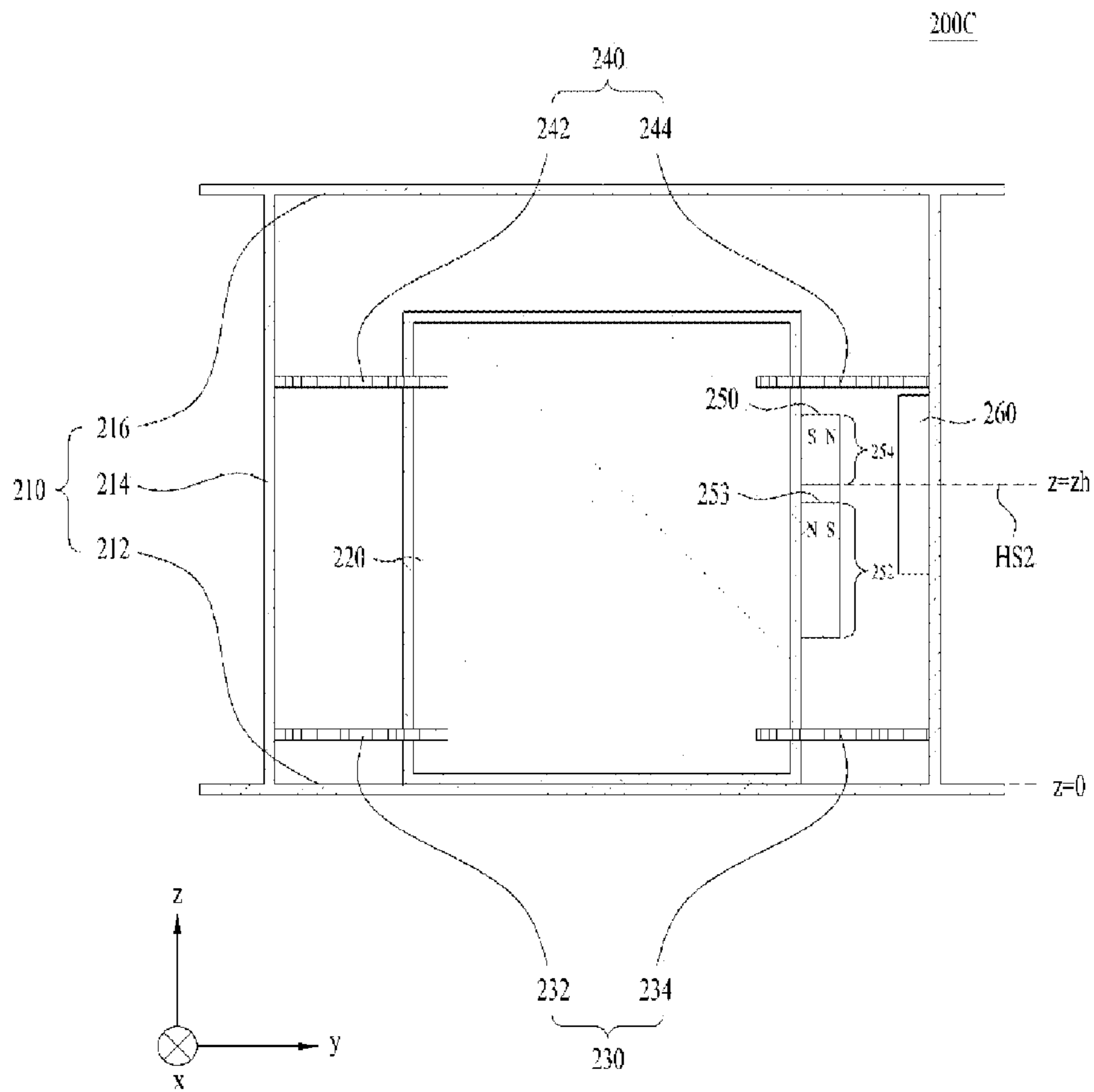


FIG. 43a

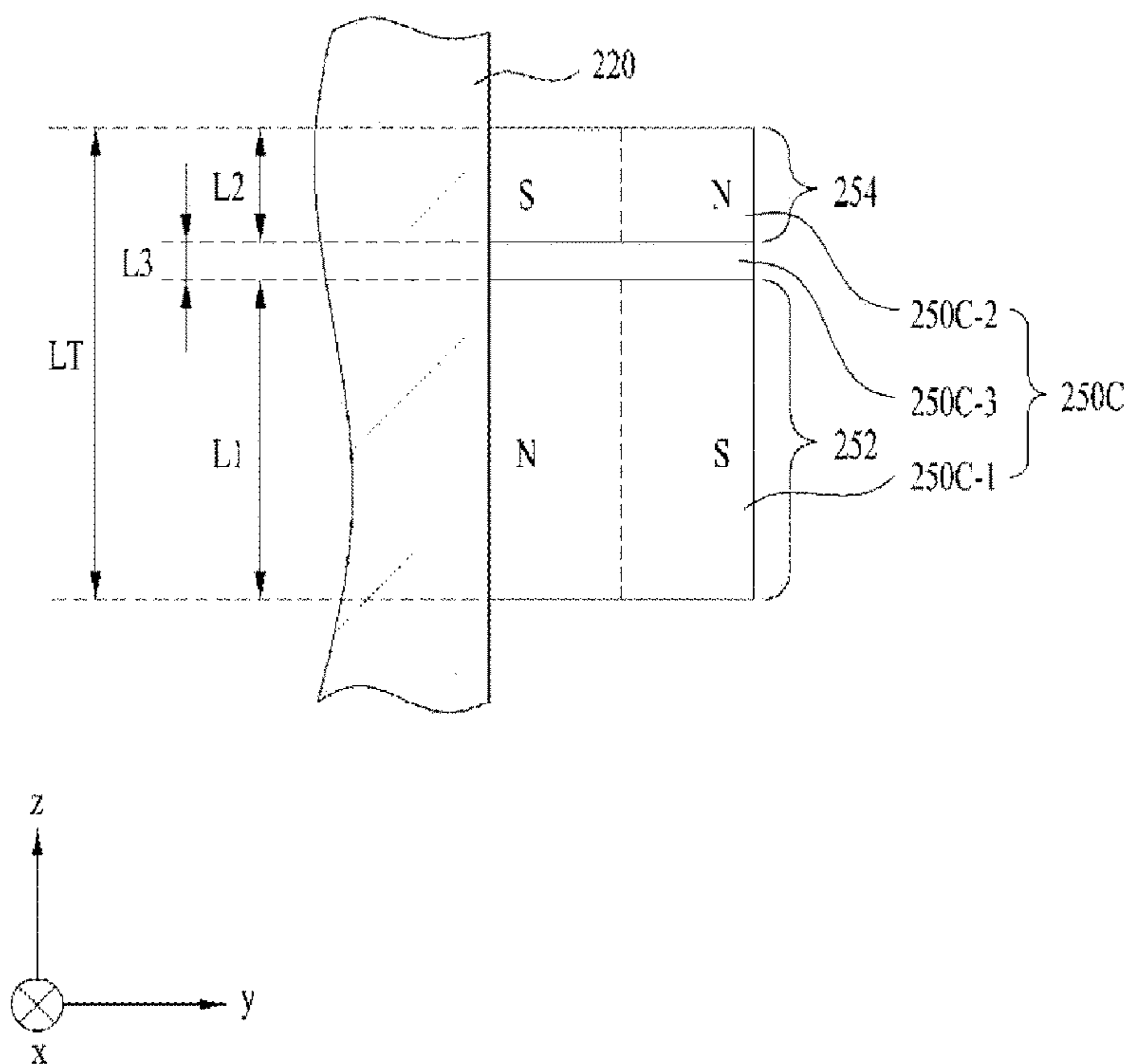


FIG. 43b

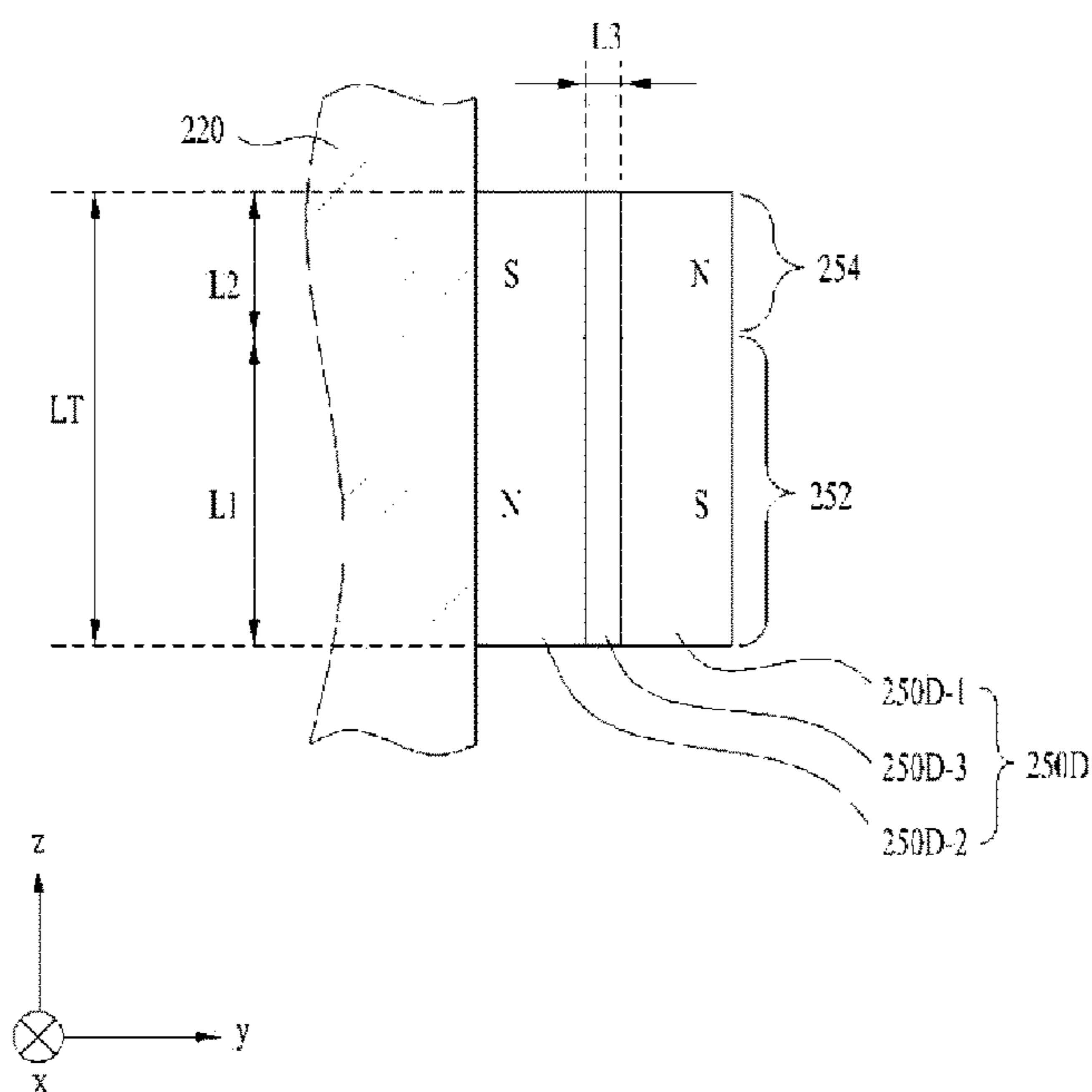


FIG. 44

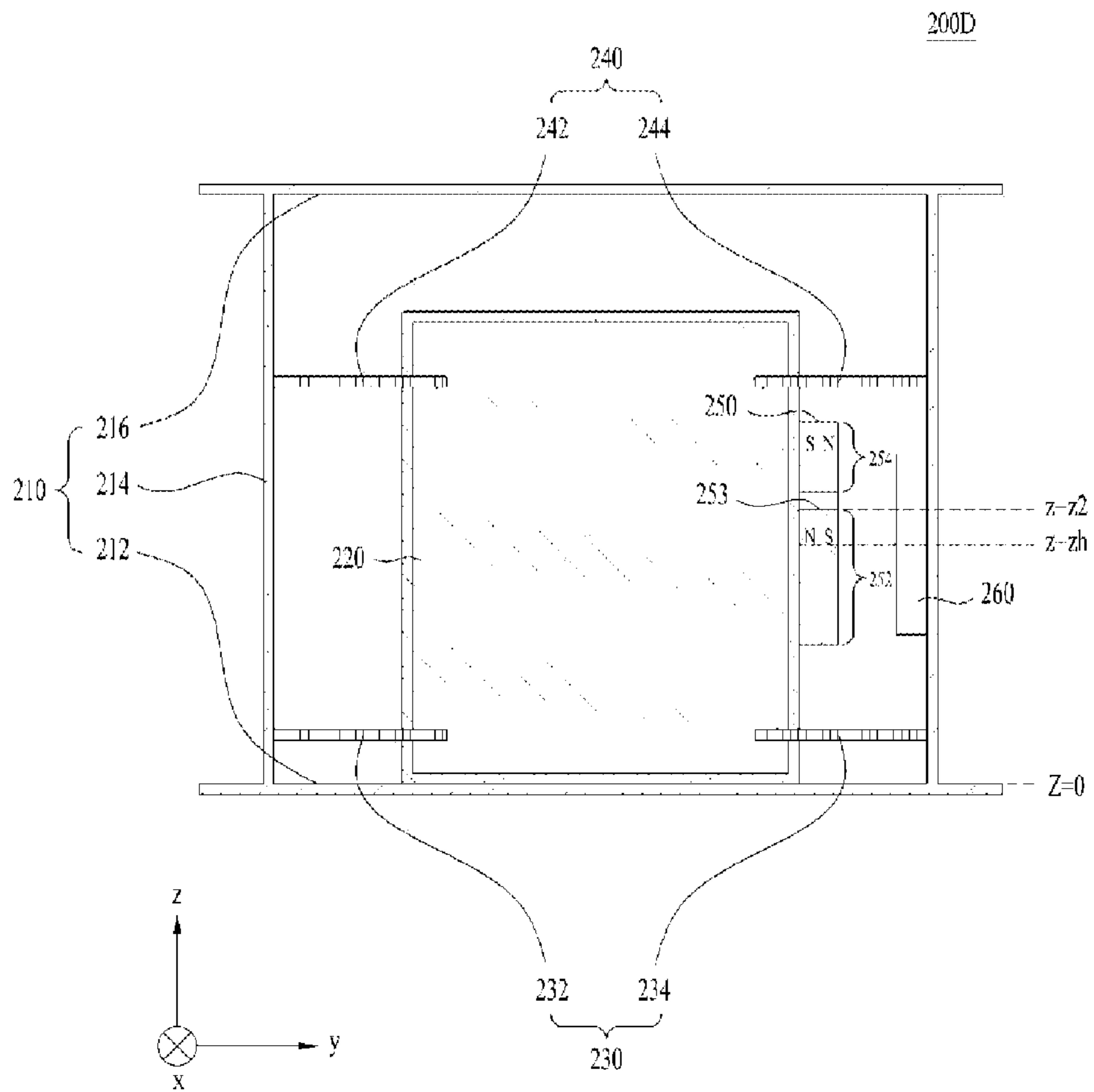


FIG. 45

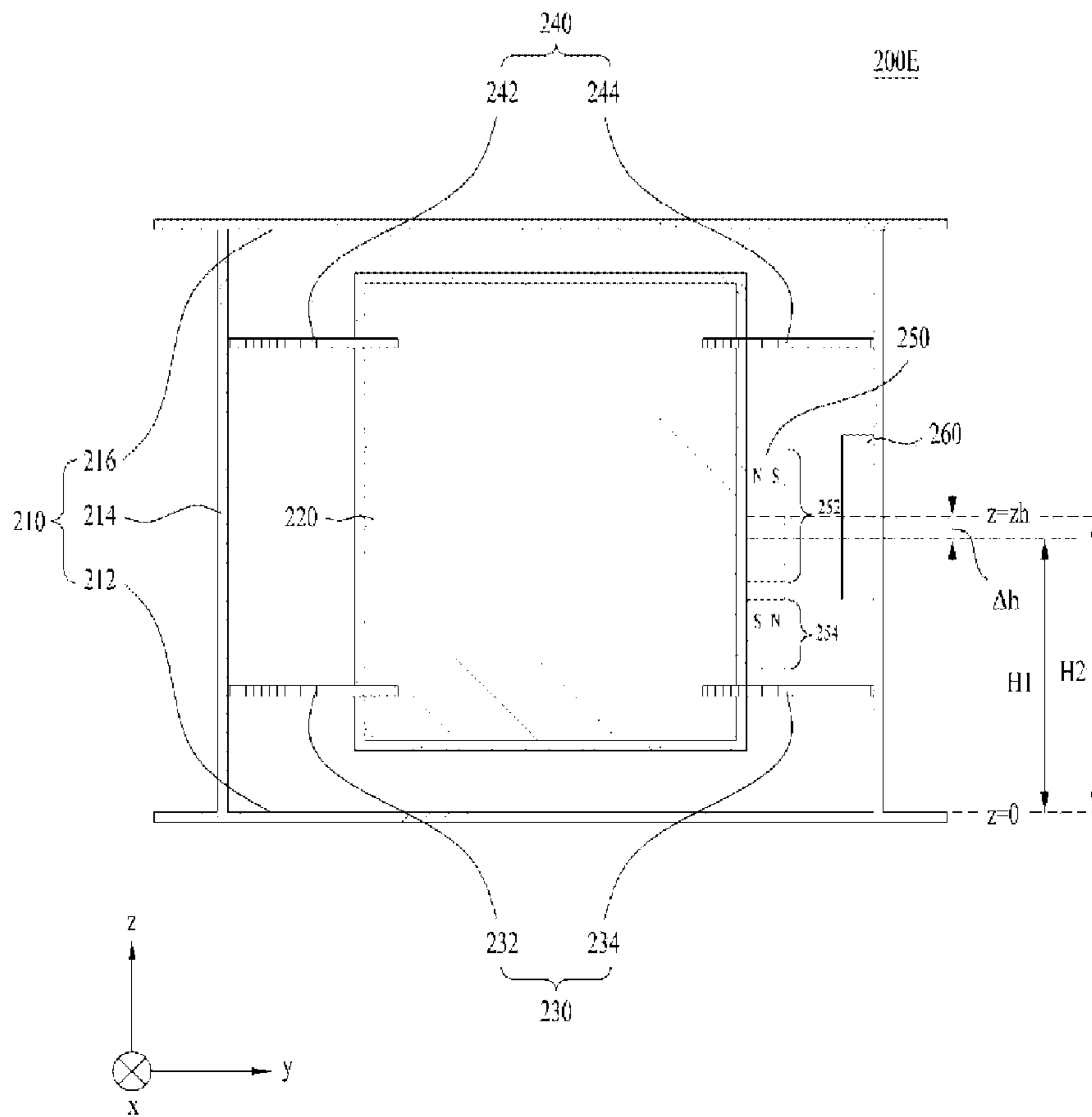


FIG. 46

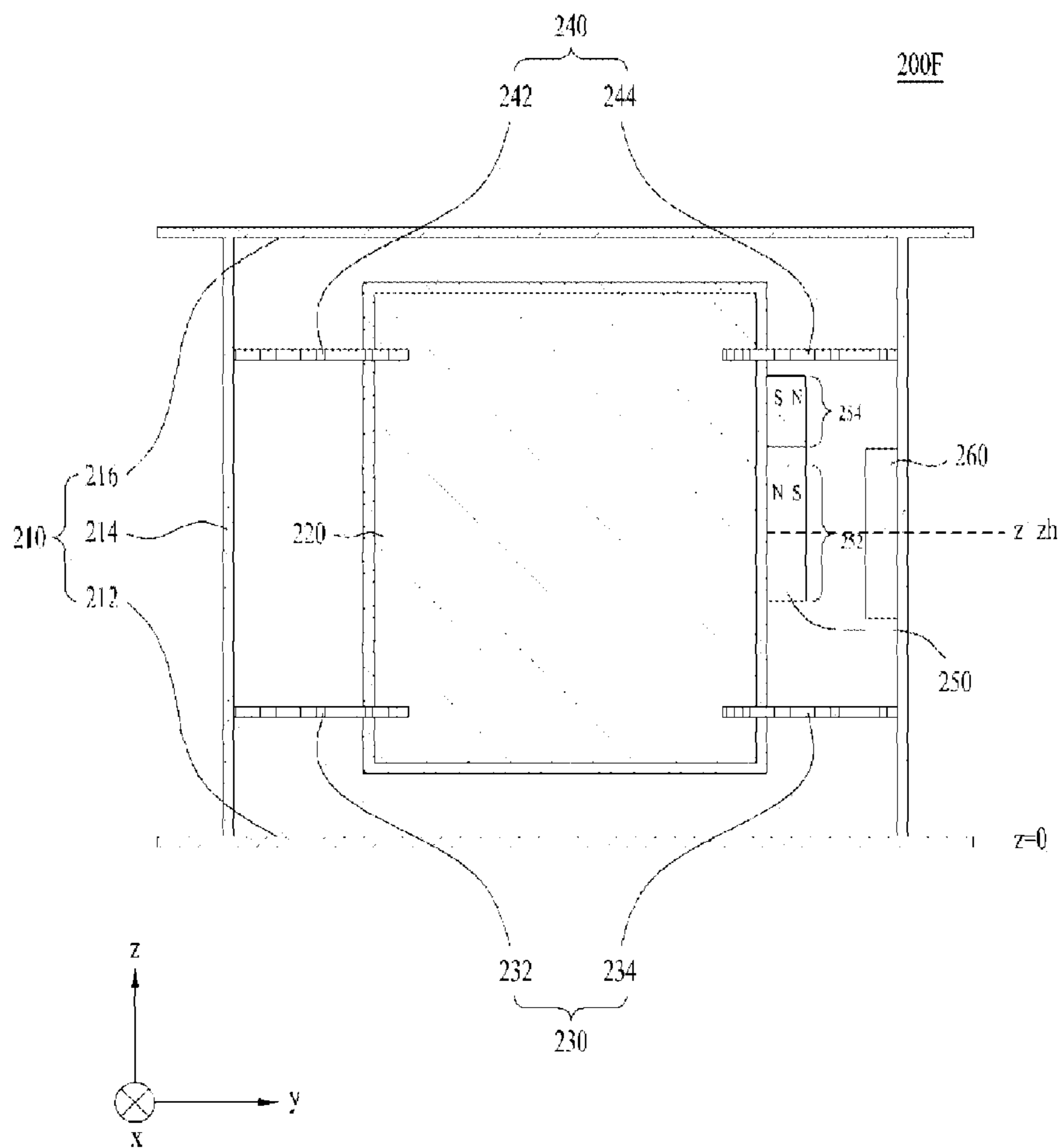


FIG. 47

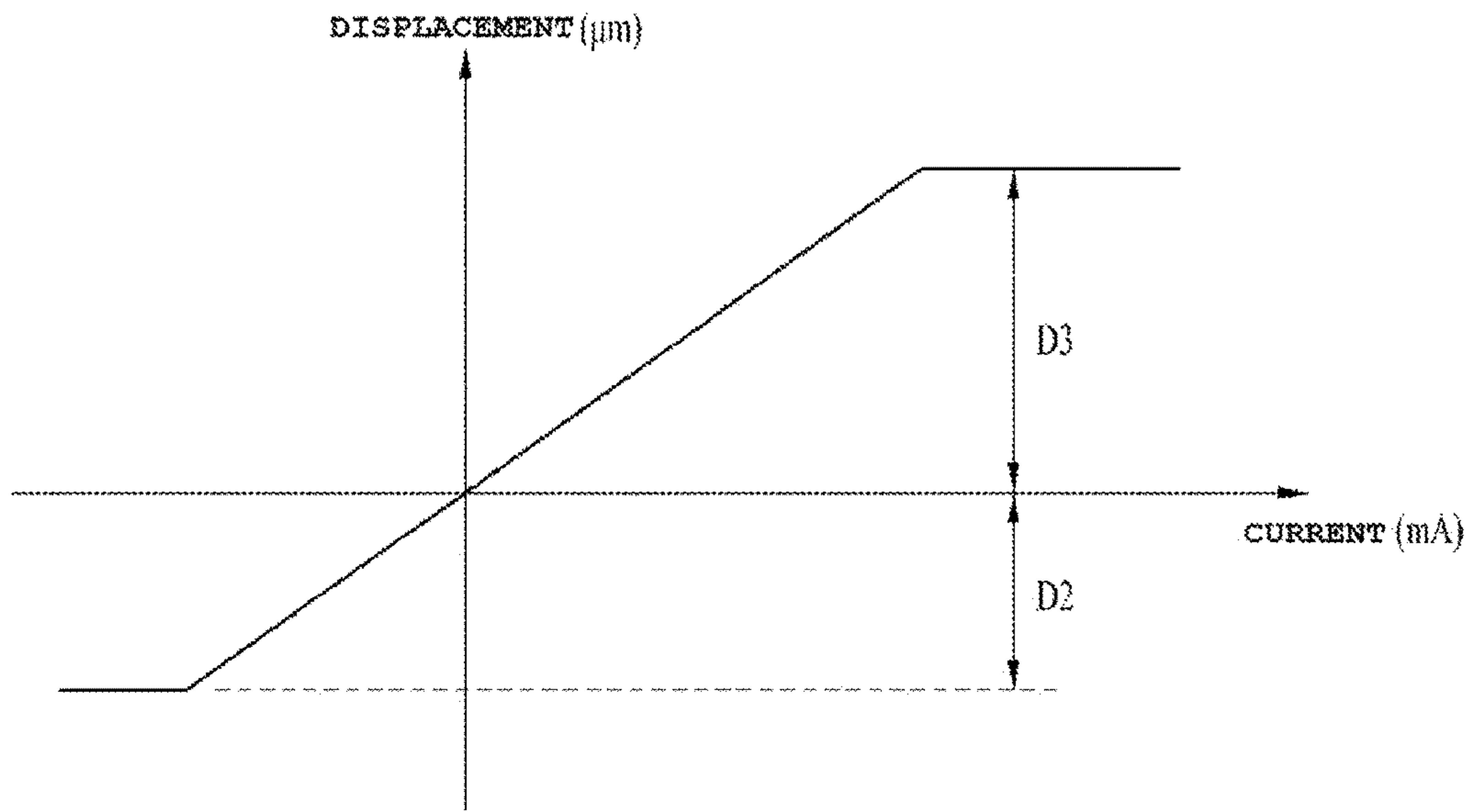


FIG. 48

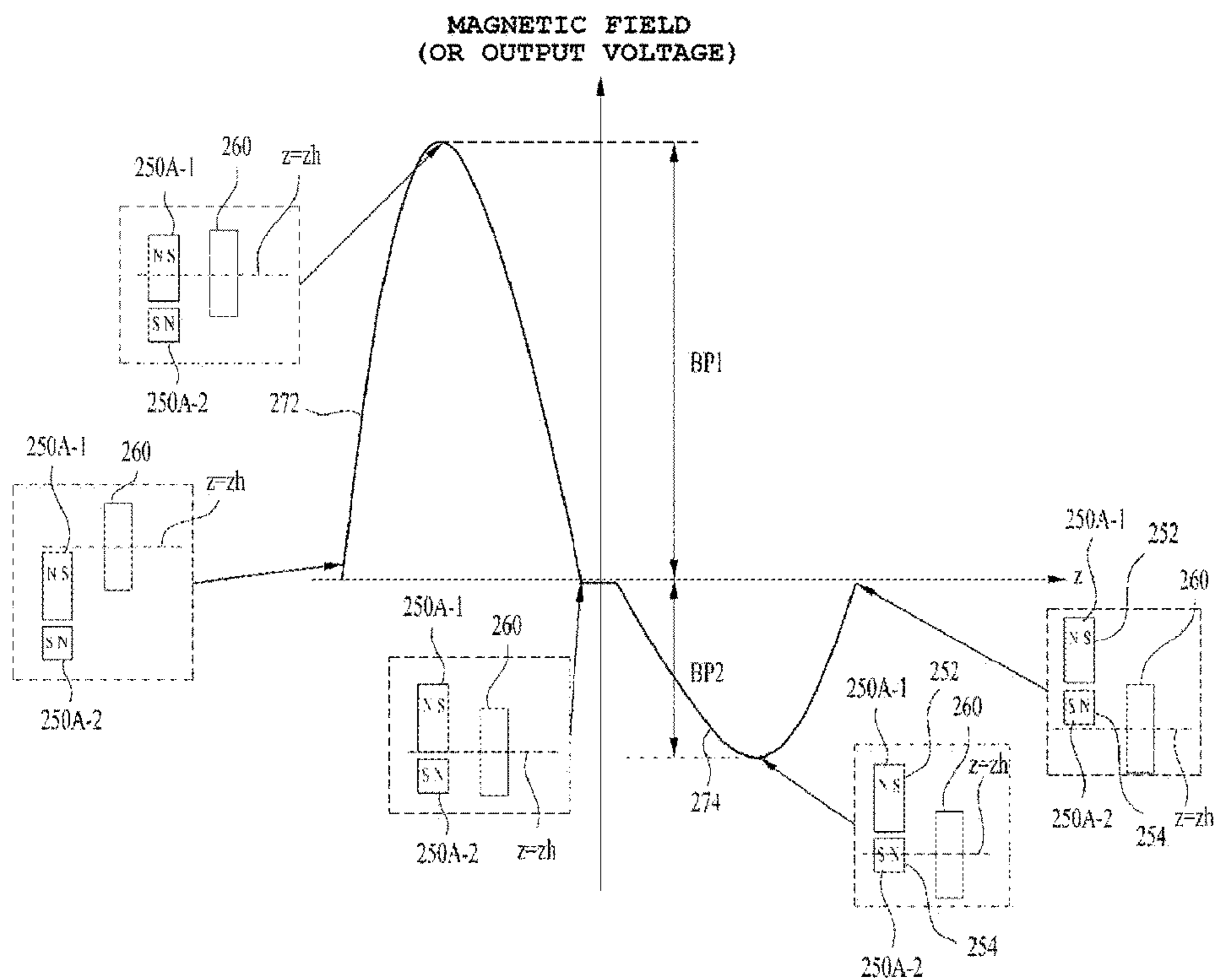


FIG. 49a

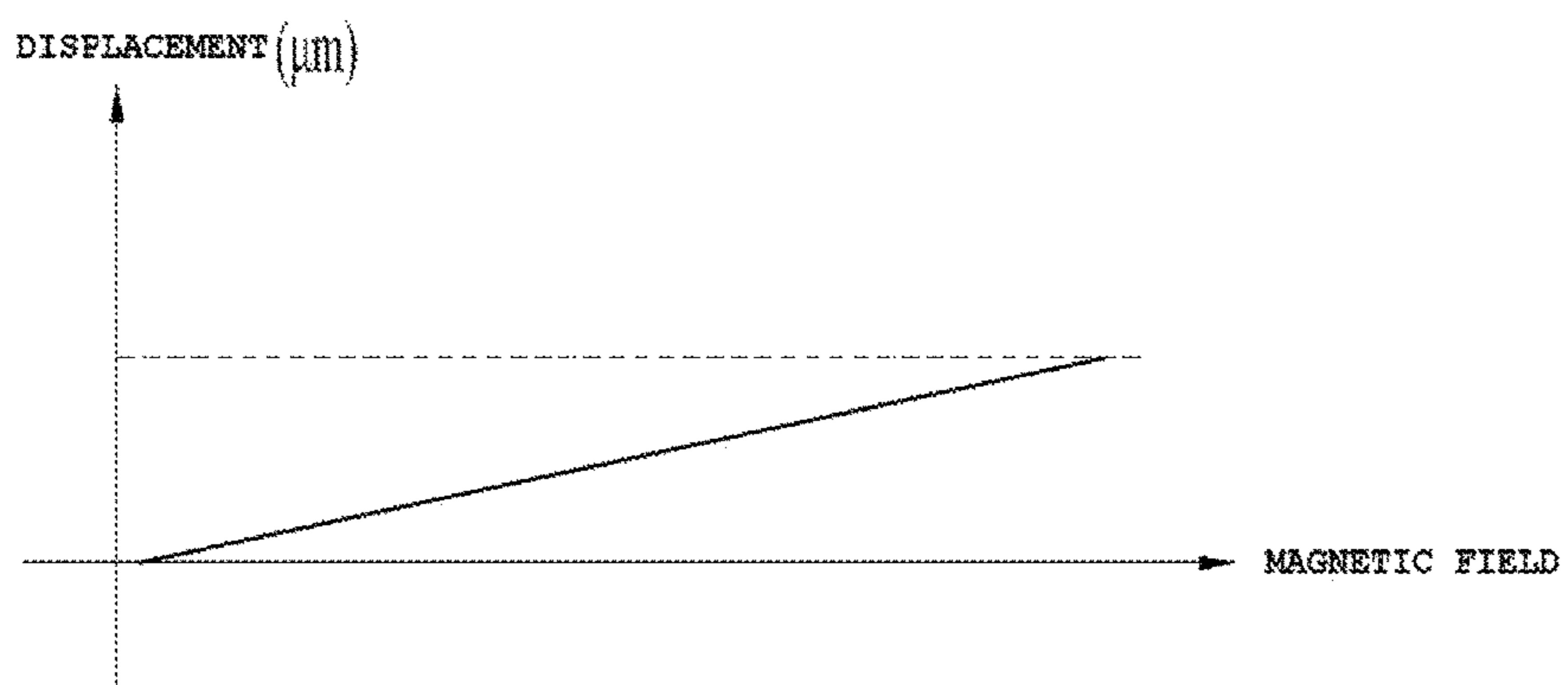


FIG. 49b

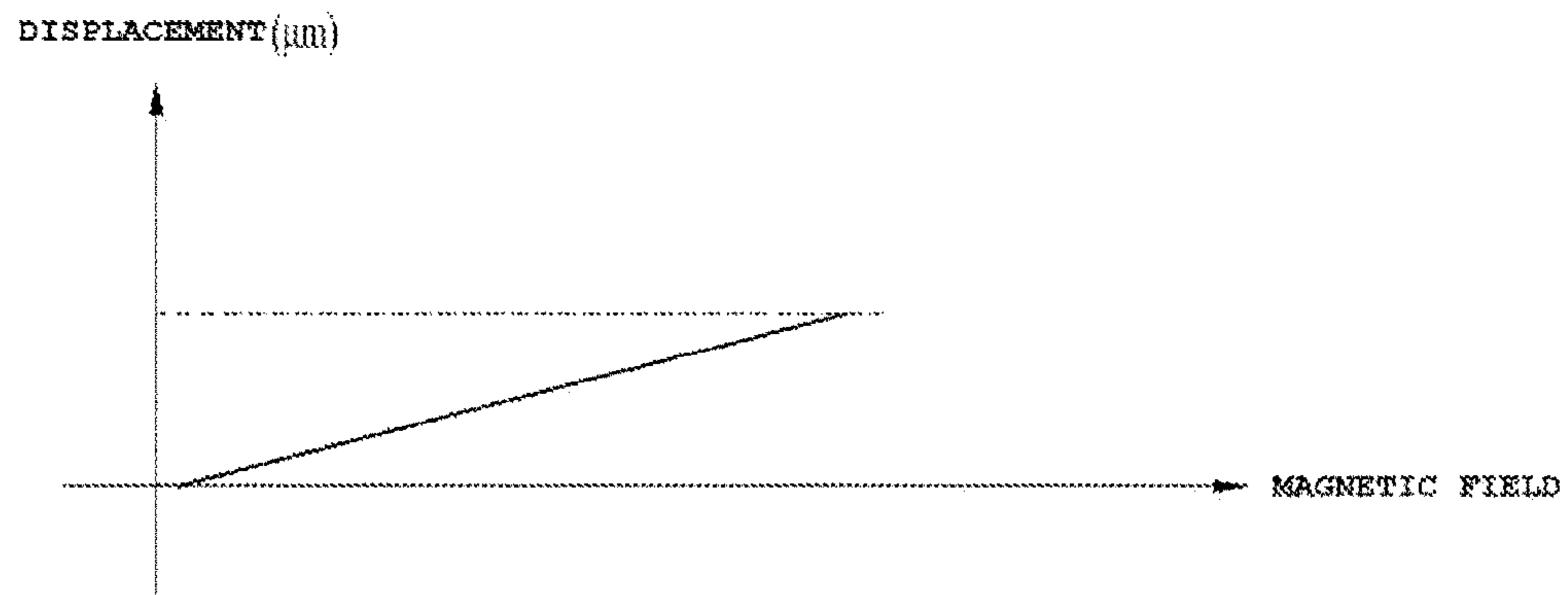


FIG. 50

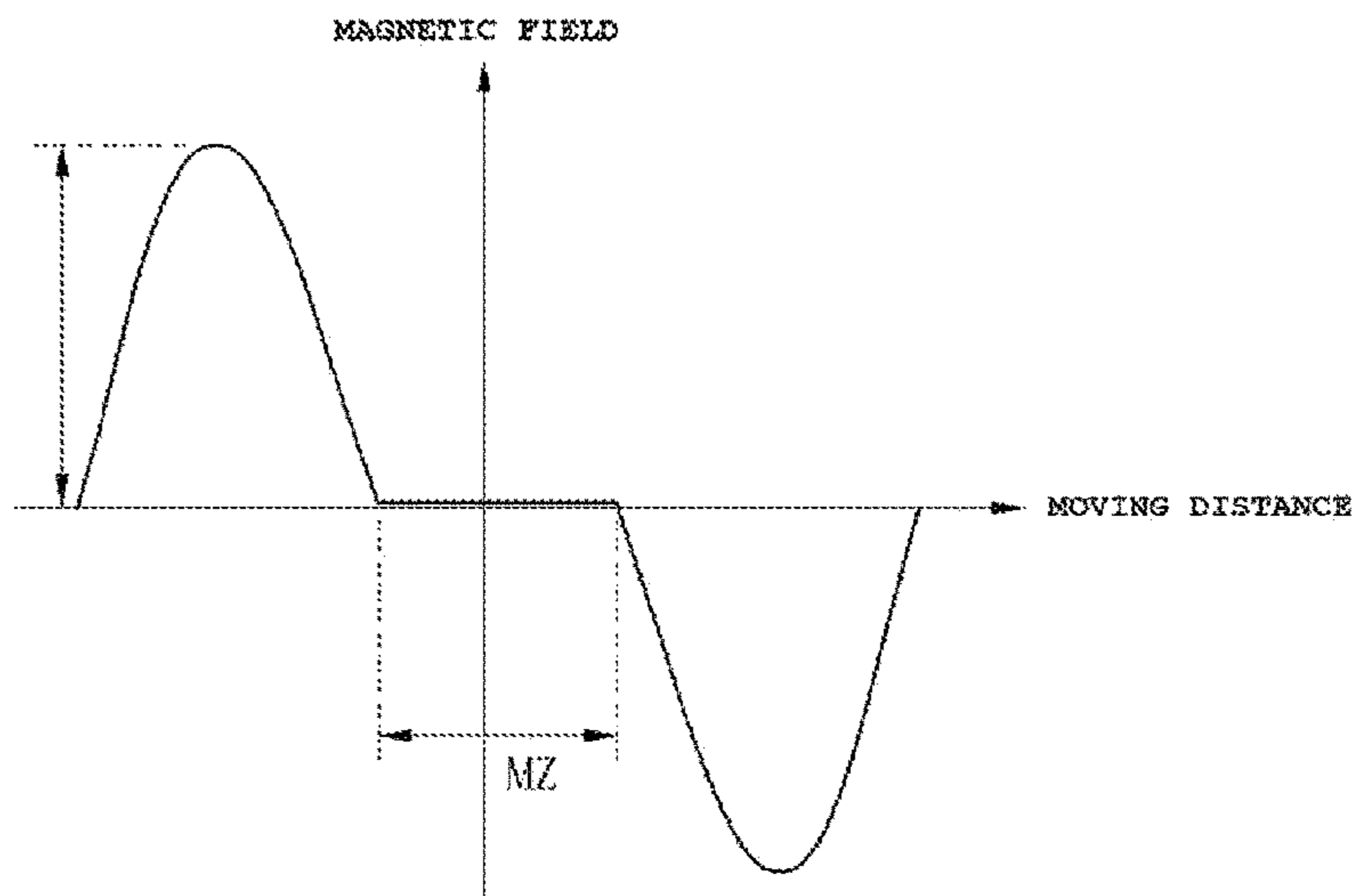
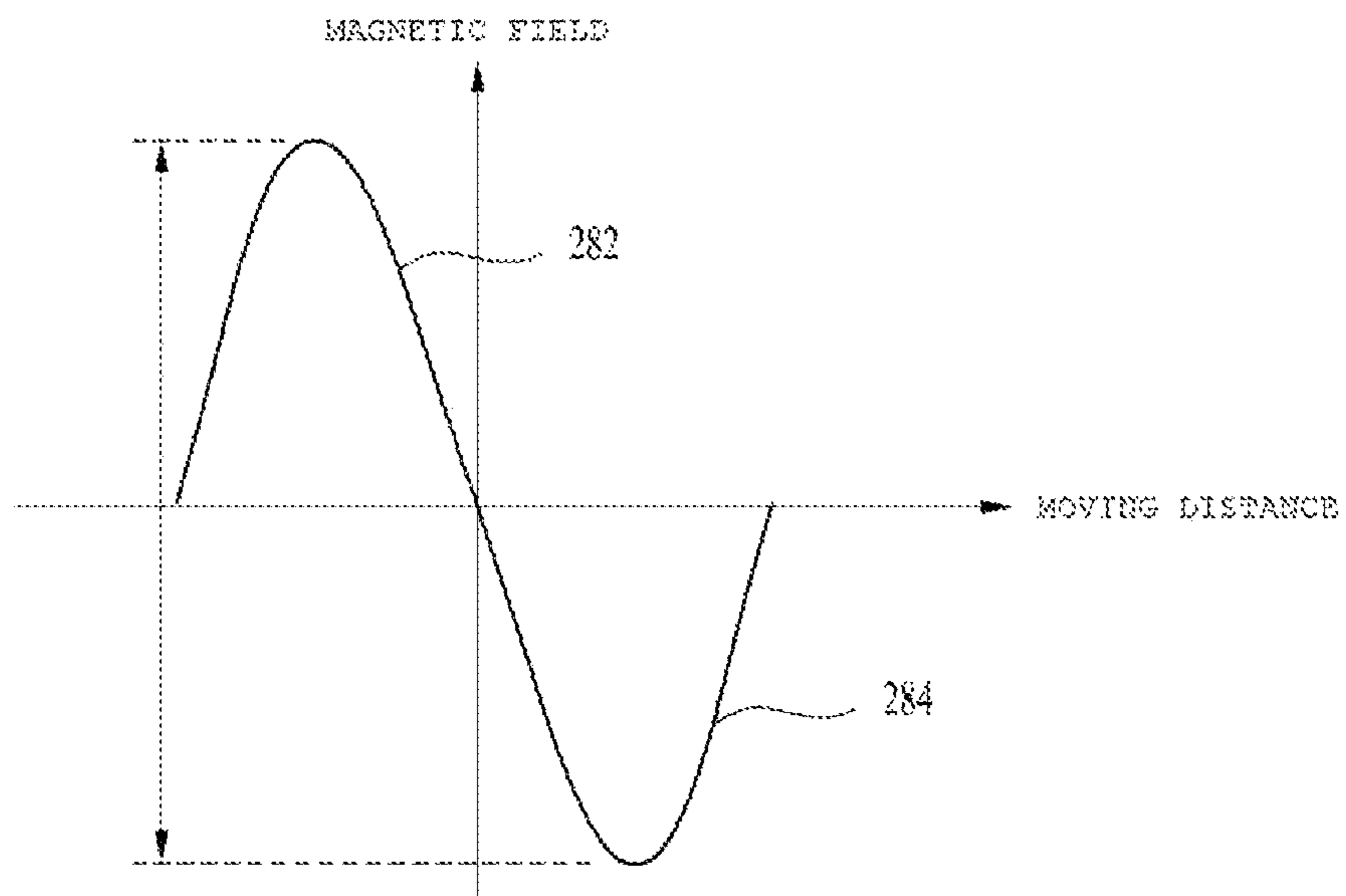


FIG. 51



LENS DRIVING DEVICE AND CAMERA MODULE COMPRISING SAME

Matter enclosed in heavy brackets [] appears in the original patent but forms no part of this reissue specification; matter printed in italics indicates the additions made by reissue; a claim printed with strikethrough indicates that the claim was canceled, disclaimed, or held invalid by a prior post-patent action or proceeding.

CROSS-REFERENCE TO RELATED APPLICATIONS

[This] *The present application is a reissue application of U.S. patent application Ser. No. 15/123,906, filed Sep. 6, 2016, now U.S. Pat. No. 10,295,781, issued May 21, 2019, which is the U.S. national stage application of International Patent Application No. PCT/KR2015/001825, filed Feb. 25, 2015, which claims priority to Korean Application Nos. 10-2014-0026062, filed Mar. 5, 2014[.]; 10-2014-0055364, filed May 9, 2014[.]; and 10-2014-0108487, filed Aug. 20, 2014, the disclosures of each of which are incorporated herein by reference in their entirety.*

TECHNICAL FIELD

Embodiments relate to a lens driving device and a camera module including the same.

BACKGROUND ART

Recently, products in the field of IT having built-in miniature digital cameras, such as mobile phones, smart phones, tablet PCs, laptops, etc., have been actively developed. Camera modules including digital cameras are required to have various functions, such as auto-focusing, alleviation of shutter shake, a zoom function, etc., and the recent trend in the development thereof is focused on increasing pixel count and miniaturization.

Conventional camera modules may include lens driving devices capable of performing an auto-focusing function and a hand shake compensation function. The lens driving devices may be constituted in various fashions, among which a voice coil unit motor is commonly used. The voice coil unit motor is operated by the electromagnetic interaction between a magnet secured to a housing and a coil unit wound around an outer peripheral surface of a bobbin, to which a lens barrel is coupled, thereby performing an auto-focusing function. An actuator module having such a voice coil motor is configured such that a vertically movable bobbin is capable of being moved reciprocally in a direction parallel to an optical axis direction while being resiliently supported by lower and upper elastic members.

IT products having conventional built-in miniature digital cameras include lens driving devices for setting a focal distance of a lens by adjusting the distance between an image sensor and a lens. However, conventional miniature digital cameras have a problem in that an auto-focusing time taken to perform an auto-focusing function is considerably long. Therefore, many efforts have been made to shorten the auto-focusing time, but the performance of the lens driving device may be deteriorated somewhat due to the unstable electromagnetic force and eccentricity of a lens barrel attributable to magnetic force.

Conventional camera modules may include a Hall sensor (not illustrated) and a sensing magnet (not illustrated),

which are arranged to face each other in a direction perpendicular to the optical axis direction of a lens in order to detect the focal position of the lens. In this case, the Hall sensor senses a magnetic field of the sensing magnet and outputs a voltage corresponding thereto. The position of the lens in the optical axis direction may be detected using the voltage output from the Hall sensor, but the Hall sensor is incapable of accurately sensing the movement of the lens in the optical axis direction, and thus there is a limitation with respect to the ability to detect the position of the lens.

DISCLOSURE

Technical Problem

Embodiments provide a lens driving device capable of receiving feedback on information about the position of a bobbin and a camera module including the same.

Another embodiment provides a lens driving device capable of shortening a lens auto-focusing time and a camera module including the same. Further, embodiments provide a lens driving device capable of positioning a lens at a focal distance of the lens more accurately and rapidly and a camera module including the same. Further, embodiments provide a lens driving device capable of improving an auto-focusing function, space efficiency and durability and a camera module including the same.

Still another embodiment provides a lens driving device capable of accurately detecting and controlling the position of a lens and a camera module including the same.

Technical Solution

In one embodiment, a lens driving device may include a bobbin, at least one lens mounted to the bobbin and a coil unit being disposed around an outer peripheral surface of the bobbin; a housing member, driving magnets being mounted to positions corresponding to the coil unit in the housing member; upper and lower elastic members for resiliently supporting movement of the bobbin in a direction parallel to an optical axis direction of the lens, the upper elastic member having one end coupled to a top surface of the bobbin and the lower elastic member having one end coupled to a bottom surface of the bobbin; and a sensing unit for sensing movement of the bobbin in the direction parallel to the optical axis direction, wherein the sensing unit includes: a sensing magnet mounted to the outer peripheral surface of the bobbin; and a circuit board mounted to a side wall of the housing member, a position sensor being disposed on an inner side surface thereof facing the sensing magnet.

For example, the lens driving device may further include a cover member for surrounding the housing member, and the cover member may have a window provided in a surface corresponding to the sensing magnet. The cover member may be formed of a metal material.

For example, the bobbin may include a magnet-mounting portion protruding from the outer peripheral surface thereof so that the sensing magnet is mounted to the magnet-mounting portion. The magnet-mounting portion may be disposed at a position capable of avoiding interference with the coil unit. The magnet-mounting portion may be disposed above the coil unit.

For example, the driving magnets may be disposed on two opposing surfaces of the housing member so as to be parallel

to each other. The sensing magnet and the driving magnets may be disposed on different surfaces so as not to face each other.

For example, the position sensor may be a Hall sensor, and the circuit board may include a plurality of terminals mounted so as to be exposed outside.

In one embodiment, a camera module may include an image sensor; a printed circuit board to which the image sensor is mounted; and the lens driving device according to one embodiment.

In another embodiment, a lens driving device may include a housing member having a hollow column shape for supporting driving magnets; a bobbin, a coil being mounted to an outer peripheral surface of the bobbin so as to face the driving magnets, and being configured to be moved in a first direction parallel to an optical axis in the housing member by electromagnetic interaction between the driving magnets and the coil; and a sensing unit for sensing a first displacement value of the bobbin in the first direction.

For example, the lens driving device may further include a circuit board mounted to a side surface of the housing member.

For example, the sensing unit may include: a sensing magnet provided at the bobbin in a mounting, inserting, seating, contacting, coupling, securing, provisional securing, supporting or disposing manner; and a displacement sensing part provided at the housing member, at a position corresponding to the sensing magnet, in a mounting, inserting, seating, contacting, coupling, securing, supporting or disposing manner. First and second driving magnets may be provided on two opposing side surfaces of the housing member in a mounting, inserting, seating, contacting, coupling, securing, supporting or disposing manner, and the displacement sensing part may be provided on a side surface perpendicular to the two side surfaces of the housing member or on a surface other than the two side surfaces of the housing member in a mounting, inserting, seating, contacting, coupling, securing, supporting or disposing manner.

For example, first and second driving magnets may be provided on two opposing side surfaces of the housing member in a mounting, inserting, seating, contacting, coupling, securing, supporting or disposing manner, a third driving magnet and the displacement sensing part, which is spaced a predetermined distance apart from the third driving magnet, may be provided on one side surface perpendicular to the two side surfaces of the housing member or on a surface other than the two side surfaces of the housing member in a mounting, inserting, seating, contacting, coupling, securing, supporting or disposing manner, and a fourth driving magnet may be provided on the other side surface opposite the one side surface of the housing member in a mounting, inserting, seating, contacting, coupling, securing, supporting or disposing manner. The third driving magnet and the fourth driving magnet may be arranged symmetrically to each other about a center of the housing member.

For example, the bobbin may include an accommodation recess formed to a predetermined depth in an inward direction from the outer peripheral surface of the bobbin so as to accommodate the sensing magnet. At least a portion of the accommodation recess may be located inside the coil. The depth between the inner surface of the accommodation recess, by which one surface of the sensing magnet is supported, and the outer peripheral surface, on which the coil is disposed, may be equal to or smaller than the thickness of the sensing magnet.

For example, the accommodation recess may include an opening formed in one of a bottom surface and a top surface of the bobbin so as to communicate with the accommodation recess.

For example, the accommodation recess may further include: an inner surface for supporting one surface of the sensing magnet; and an adhesion recess formed concave to a predetermined depth in the inward direction from the inner surface so that an adhesive is injected into the adhesion recess. The accommodation recess may further include a first additional recess extending from the adhesion recess, and an overall length of the adhesion recess and the first additional recess is longer than the length of the sensing magnet in a vertical thickness direction of the bobbin.

For example, the accommodation recess may further include: an opening formed in one of a bottom surface and a top surface of the bobbin so as to communicate with the accommodation recess; and a second additional recess extending from the adhesion recess and formed to a predetermined depth in an inward direction of the bobbin from the opening.

For example, the bobbin may further include: an additional accommodation recess formed to a predetermined depth in an inward direction from the outer peripheral surface of the bobbin, opposite the outer peripheral surface having the accommodation recess formed therein, at a position symmetrical to the accommodation recess about a center of the bobbin; and a weight-balancing member accommodated in the additional accommodation recess and having the same weight as the sensing magnet.

For example, the lens driving device may further include: an upper elastic member; and a lower elastic member, inner frames of the upper and lower elastic members are coupled to the bobbin, and outer frames of the upper and lower elastic members may be coupled to the housing member.

In another embodiment, a camera module may include an image sensor; a printed circuit board to which the image sensor is mounted; and the lens driving device according to another embodiment.

In still another embodiment, a lens driving device may include a movable unit, at least one lens being mounted to the movable unit; a first coil and driving magnets arranged to face each other so as to move the movable unit in an optical axis direction of the lens through interaction therebetween; a position sensor for sensing a position of the movable unit in the optical axis direction or a driver including the position sensor; and a bipolar-magnetized magnet disposed to face the position sensor or the driver, wherein the bipolar-magnetized magnet includes: a first side surface facing the position sensor and having a first polarity; and a second side surface facing the position sensor, disposed to be spaced apart from or in contact with the first side surface in a direction parallel to the optical axis direction, and having a second polarity opposite the first side surface, and a length of the first side surface in the optical axis direction is equal to or longer than a length of the second side surface in the optical axis direction.

For example, the first polarity may be an S-pole and the second polarity may be an N-Pole. Alternatively, the first polarity may be an N-pole and the second polarity may be an S-pole.

For example, the bipolar-magnetized magnet may include: first and second sensing magnets arranged to be spaced apart from each other; and a non-magnetic partition wall disposed between the first and second sensing magnets. The first and second sensing magnets may be arranged to be spaced apart from each other in a direction parallel to the

5

optical axis direction. The first and second sensing magnets may be arranged to be spaced apart from each other in the magnetization direction. The first side surface may be positioned above the second side surface. Alternatively, the second side surface may be positioned above the first side surface.

For example, in the initial state before the lens is moved in the optical axis direction, the height of a middle portion of the position sensor may be located on an imaginary horizontal plane extending from the top of the first side surface in the magnetization direction.

For example, in the initial state before the lens is moved in the optical axis direction, the height of the middle portion of the position sensor may be aligned with a first point on the first side surface in the magnetization direction.

For example, in the initial state before the lens is moved in the optical axis direction, the height of the middle portion of the position sensor may be aligned with the non-magnetic partition wall in the magnetization direction.

For example, in the initial state before the lens is moved in the optical axis direction, the height of the middle portion of the position sensor may be aligned with a second point, which is located above the first point, in the magnetization direction. A difference between the second point and the first point may be as follows:

$$\Delta h = H2 - H1 = \frac{\Delta D}{2} \pm \frac{D}{2}$$

Here, H2 is a height of the second point, H1 is a height of the first point, ΔD is a value calculated by subtracting a downward-displacement range from an upward-displacement range of the movable unit, and D is a displacement range of the movable unit.

For example, in the initial state before the lens is moved in the optical axis direction, the height of the middle portion of the position sensor may be aligned with the second side surface. When the lens is moved to the upper limit position in the optical axis direction, the height of the middle portion of the position sensor may be aligned with a point that is lower than the bottom of the second side surface.

For example, the first point may correspond to the height of the middle portion of the first side surface.

For example, the first and second side surfaces may respectively correspond to the side surfaces of the first and second sensing magnets, which face the position sensor.

For example, the first and second side surfaces may correspond to the side surface of the first or second sensing magnet, which faces the position sensor.

For example, the non-magnetic partition wall may include an empty space or a non-magnetic substance.

For example, the movable unit may be moved in one direction of the optical axis, or may be moved in both directions of the optical axis.

For example, in still another embodiment, the lens driving device may further include a fixed unit for supporting the driving magnets, the first and second sensing magnets may be provided at the movable unit in a coupling, contacting, supporting, securing, provisional securing, inserting or seating manner, and the position sensor may be provided at the fixed unit in a coupling, contacting, supporting, provisional securing, inserting or seating manner.

For example, in still another embodiment, the lens driving device may further include a fixed unit for supporting the driving magnets, the first and second sensing magnets may

6

be provided at the fixed unit in a coupling, contacting, supporting, securing, provisional securing, inserting or seating manner, and the position sensor may be provided at the movable unit in a coupling, contacting, supporting, securing, provisional securing, inserting or seating manner.

For example, the intensity of the magnetic field may be encoded using 7 to 12 bits. The length of the non-magnetic partition wall may be ten percent or more or fifty percent or less of the length of the bipolar-magnetized magnet in the direction parallel to the optical axis direction. The length of the bipolar-magnetized magnet in the direction parallel to the optical axis direction may be at least 1.5 times larger than the movable range of the movable unit. The height of the middle portion of the position sensor may be biased toward any one of the first and second side surfaces.

In still another embodiment, a camera module may include an image sensor; a circuit board to which the image sensor is mounted; and the lens driving device according to still another embodiment.

Advantageous Effects

According to a lens driving device and a camera module including the same according to embodiments, a sensing magnet is mounted to an outer side surface of a bobbin and a position of the sensing magnet is sensed by a displacement sensing part such as a Hall sensor, thereby accurately detecting the position of a bobbin during the auto-focusing operation. An even number of magnets is arranged to face each other in order to control the movement of the bobbin in an optical axis direction, thereby stably maintaining the balance of electromagnetic force applied to a first coil. A window is provided at a cover member at a position corresponding to the sensing magnet, thereby preventing deterioration of the linear movement characteristics of the bobbin attributable to the attraction between the sensing magnet and the cover member.

Specifically, according to a lens driving device and a camera module including the same according to embodiments, the position of the lens in the optical axis direction is readjusted through feedback on the amount of displacement in the optical axis direction of the lens, thereby shortening a time taken for focal alignment of the lens and minimizing the distance between the sensing magnet and the displacement sensing part. Therefore, since the amount of displacement in the optical axis direction of the lens is more accurately detected, the lens is positioned at the focal distance of the lens more accurately and rapidly. Since the sensing magnet is mounted to the outer side surface of the bobbin, assembly processes are simplified. Specifically, since the sensing magnet is provided at the bobbin, which is a movable body, in a mounting, seating, contacting, securing, provisional securing, coupling, supporting, or disposing manner and the displacement sensing part is provided at the housing member, which is a fixed body, in a mounting, seating, contacting, securing, provisional securing, coupling, supporting or disposing manner, there is no need to secure additional space for mounting, seating, contacting, securing, provisional securing, coupling, supporting, or disposing of the sensing magnet and the displacement sensing part, which leads to improvement in space efficiency of the camera module (particularly, the bobbin). Since the position sensor and the bipolar-magnetized magnet are arranged so as to sense a magnetic field, the intensity of which is changed

linearly, the movement of the lens in the optical axis direction is accurately sensed.

DESCRIPTION OF DRAWINGS

FIG. 1 shows a schematic perspective view of a camera module according to a 1st embodiment.

FIG. 2 shows an exploded perspective view of the camera module depicted in FIG. 1.

FIG. 3 shows a perspective view of a bobbin depicted in FIG. 2.

FIG. 4 shows a front view of the camera module depicted in FIG. 1;

FIG. 5 shows a plan view of the camera module cut along line I-I' in FIG. 4.

FIG. 6 shows a front view of a lens driving device after removing a circuit board from the camera module depicted in FIG. 1.

FIG. 7 shows a schematic perspective view of a lens driving device according to a 2nd embodiment.

FIG. 8 shows a schematic exploded perspective view according to an embodiment of the lens driving device illustrated in FIG. 7.

FIG. 9 shows a schematic perspective view according to an embodiment of the lens driving device in FIG. 7, from which a cover can is removed.

FIG. 10 is a schematic plan perspective view of a housing member according to another embodiment.

FIG. 11 is a schematic bottom perspective view of the housing member according to another embodiment.

FIG. 12 shows a schematic exploded perspective view of a driving magnet, the housing member, a first circuit board and a displacement sensing part according to another embodiment.

FIG. 13 shows a plan perspective view of an upper elastic member according to one embodiment.

FIG. 14 shows a plan perspective view of a lower elastic member according to one embodiment.

FIG. 15 shows a plan perspective view of a bobbin according to another embodiment.

FIG. 16 shows a bottom perspective view of the bobbin according to another embodiment.

FIG. 17 shows an exploded perspective view of the bobbin, a first coil, a displacement sensing part and a sensing magnet according to another embodiment.

FIG. 18 shows a schematic bottom perspective view of the bobbin, the first coil, first and second driving magnets, the displacement sensing part and the sensing magnet according to another embodiment.

FIG. 19 is a schematic perspective view of a lens driving device according to a 3rd embodiment.

FIG. 20 is a schematic exploded perspective view of the lens driving device depicted in FIG. 19.

FIG. 21 is a schematic perspective view of the lens driving device in FIG. 19, from which a cover member is removed.

FIG. 22 is a schematic plan view of FIG. 21.

FIG. 23 is a schematic perspective view of a driving magnet, a housing member and a displacement sensing part according to still another embodiment.

FIG. 24 is a schematic perspective view of the driving magnet, the housing member and the first circuit board when viewed from a different angle from FIG. 23.

FIG. 25 is a schematic bottom perspective view of the driving magnet, the housing member and the first circuit board according to still another embodiment.

FIG. 26 is a schematic exploded perspective view of the driving magnet, the housing member, the first circuit board and the displacement sensing part according to still another embodiment.

FIG. 27 is a schematic plan view of an upper elastic member according to another embodiment.

FIG. 28 is a schematic plan view of a lower elastic member according to another embodiment.

FIG. 29 is a schematic perspective view of a bobbin according to still another embodiment.

FIG. 30 is a schematic bottom perspective view of the bobbin and a sensing magnet according to still another embodiment.

FIG. 31 is a schematic exploded perspective view of the bobbin, a first coil and the sensing magnet according to still another embodiment.

FIG. 32 is a partially enlarged perspective view of the state in which the bobbin and the sensing magnet according to the embodiment are coupled.

FIG. 33 is a partially enlarged bottom view of the state in which the bobbin and the sensing magnet according to the embodiment are coupled.

FIG. 34 is a partially enlarged perspective view for explaining an accommodation recess of the bobbin according to the embodiment.

FIG. 35 is a schematic longitudinal sectional view of the bobbin, the first coil and the sensing magnet according to still another embodiment.

FIG. 36 shows a schematic sectional view of a lens driving device according to a 4-1st embodiment.

FIGS. 37a and 37b respectively show sectional views of embodiments of a bipolar-magnetized magnet depicted in FIG. 36.

FIG. 38 is a graph for explaining the operation of the lens driving device depicted in FIG. 36.

FIG. 39 shows the state in which the lens driving device depicted in FIG. 36 is moved in an optical axis direction.

FIG. 40 is a graph showing the displacement of a movable unit depending on electric current supplied to a first coil in the lens driving device according to the 4th embodiment.

FIG. 41 shows a sectional view of a lens driving device according to a 4-2nd embodiment.

FIG. 42 shows a sectional view of a lens driving device according to a 4-3rd embodiment.

FIGS. 43a and 43b respectively show sectional views of embodiments of a bipolar-magnetized magnet depicted in FIG. 42.

FIG. 44 shows a sectional view of a lens driving device according to a 4-4th embodiment.

FIG. 45 shows a sectional view of a lens driving device according to a 4-5th embodiment.

FIG. 46 shows a sectional view of a lens driving device according to a 4-6th embodiment.

FIG. 47 is a graph showing the displacement of a movable unit depending on electric current supplied to a first coil in the lens driving devices depicted in FIGS. 45 and 46.

FIG. 48 is a graph showing the intensity of a magnetic field sensed by a position sensor in respective arrangement relationships between the position sensor and the bipolar-magnetized magnets, which are changed depending on a moving distance of the movable unit in the optical axis direction.

FIGS. 49a and 49b are graphs showing the displacement depending on intensity of a magnetic field sensed by the position sensor.

FIG. 50 is a graph for explaining a change of intensity of a magnetic field depending on a moving distance of a movable unit in a lens driving device according to a comparative example.

FIG. 51 is a graph showing a change of a magnetic field sensed by the position sensor depending on movement of the movable unit in the lens driving device according to the embodiment.

BEST MODE

Hereinafter, embodiments will be described with reference to the accompanying drawings. In the following description, the same elements will be designated by the same reference numerals although they are shown in different drawings. Further, in the following description of the embodiments, a detailed description of known functions and configurations incorporated herein will be omitted when it may make the subject matter of the embodiments rather unclear. Certain features presented in the drawings are expanded, reduced, or simplified for easy explanation, and the drawings and the constituent elements may not be appropriately illustrated. However, those of ordinary skill in the art could easily understand such detailed matters.

Hereinafter, embodiments illustrated in FIGS. 1 to 51 will be explained using an orthogonal coordinate system (x, y, z), but the embodiments are not limited thereto. That is, the embodiments may, of course, be explained using other coordinate systems. In each drawing, the x-axis and the y-axis are perpendicular to an optical axis direction, and for convenience, the z-axis direction, which is the optical axis direction, may be referred to as a first direction, the x-axis direction may be referred to as a second direction, and the y-axis direction may be referred to as a third direction. Further, the first direction may be a vertical direction, and each of the second and third directions may be a horizontal direction.

1st Embodiment

FIG. 1 shows a schematic perspective view of a camera module 1000 according to a 1st embodiment, FIG. 2 shows an exploded perspective view of the camera module 1000 depicted in FIG. 1, FIG. 3 shows a perspective view of a bobbin 30 depicted in FIG. 2, FIG. 4 shows a front view of the camera module 1000 depicted in FIG. 1, FIG. 5 shows a plan view of the camera module 1000 cut along line I-I' in FIG. 4, and FIG. 6 shows a front view of a lens driving device 1000-1 after removing a circuit board 80 from the camera module 1000 depicted in FIG. 1.

As shown in FIGS. 1 and 2, the camera module 1000 according to the 1st embodiment may include a lens driving device 1000-1, a printed circuit board 10, an image sensor 11, and a lens 32a. The lens driving device 1000-1 may include a base 20, a bobbin 30, a coil unit (or a coil) 31, a lens barrel 32, a housing member (or a housing) 40, a driving magnet 41, an upper elastic member (or a top elastic member) 51, a lower elastic member (or a bottom elastic member) 52, a cover member (or a cover can) 60, a sensing unit, and a circuit board (80). Here, the lens barrel 32 is a constitutional component of the camera module 1000, but may not be an essential component of the lens driving device 1000-1.

The cover member 60 may define the outer appearance of the camera module 1000, and as shown in the drawings, the housing member 40, which supports the driving magnet 41,

which will be described later, may be disposed in the cover member 60.

The base 20 may be coupled to the cover member 60.

The bobbin 30 may be mounted in the cover member 60 so as to move reciprocatingly in the direction parallel to the optical axis. The coil unit 31 may be mounted on the outer peripheral surface of the bobbin 30.

The lens barrel 32, to which at least one lens 32a is mounted, may be disposed in the bobbin 30, and as shown in FIG. 2, the lens barrel 32 may be formed so as to be screwed to the inner portion of the bobbin 30. However, the embodiment is not limited to this structure, and although not illustrated, the lens barrel 32 may be directly secured to the inner portion of the bobbin 30 through a method other than the screw-coupling method, or one or more lenses 32a, without the lens barrel 32, may be integrally formed with the bobbin 30. Only a single lens 32a may be provided, or two or more lenses may be provided to form an optical system.

The upper and lower elastic members 51 and 52 may be respectively mounted to the upper portion and the lower portion of the bobbin 30. One end of the upper elastic member 51 may be connected to the bobbin 30, and the remaining end of the upper elastic member 51 may be coupled to the cover member 60 or the housing member 40. For example, the upper elastic member 51 may be coupled to the top surface or the bottom surface of the housing member 40. One end of the lower elastic member 52 may be connected to the bobbin 30, and the remaining end of the lower elastic member 52 may be coupled to the top surface of the base 20. Further, the base 20 may have a protrusion formed for coupling with the lower elastic member 52. The lower elastic member 52 may have a hole or a recess formed at a position corresponding to the protrusion, so as to be secured to the base 20 through the engagement between the protrusion and the hole or between the protrusion and the recess and to be prevented from rotating. Further, an adhesive or the like may be added for secure coupling.

On the other hand, as shown in FIG. 2, the upper elastic member 51 may be embodied as a singular body, and the lower elastic member 52 may be embodied as two springs, that is, a two-divided structure, so as to receive powers of different polarities. That is, the powers may be transmitted to the two springs of the lower elastic member 52 via a terminal (or a terminal member) (not illustrated), and may subsequently be applied to the coil unit 31 wound around the bobbin 30. To this end, the lower elastic member 52 and the coil unit 31 may be electrically connected to each other through soldering or the like. That is, the two springs of the lower elastic member 52 and respective ends of the coil unit 31 may be electrically connected to each other through soldering or the like. However, the embodiment is not limited to this structure. Conversely, the upper elastic member 51 may be formed to have a two-divided structure, and the lower elastic member 52 may be formed in a singular body.

The bidirectional movement of the bobbin 30 in the optical axis direction may be supported by the upper and lower elastic members 51 and 52. That is, since the bobbin 30 is spaced a predetermined distance apart from the base 20, the bobbin 30 may be controlled so as to move upwards and downwards from its original position. Alternatively, the bobbin 30 may be originally positioned in the top surface of the base 20, and accordingly the bobbin 30 may be controlled so as to move only upwards from its original position.

On the other hand, the coil unit 31 may be embodied as a ring-shaped coil block, which is coupled to the outer peripheral surface of the bobbin 30. However, the coil unit is not limited to this configuration. The coil unit 31 may be embodied as a coil that is directly wound around the outer peripheral surface of the bobbin 30. The coil unit 31, as

11

shown in FIG. 3, may be mounted to a position near the bottom surface of the bobbin 30, and may include straight surfaces and curved surfaces depending on the shape of the bobbin 30.

Alternatively, the coil unit 31, which is embodied as a coil block, may be formed in a polygonal shape, for example, an octagonal shape. The coil unit 31 may include only straight surfaces without any curved surfaces, in consideration of the electromagnetic action with the driving magnet 41, which is disposed opposite the coil unit 31. If the surface of the driving magnet 41 that faces the coil unit 31 is flat, the electromagnetic force may be maximized when the surface of the coil unit 31 that faces the driving magnet 41 is also flat. However, the embodiment is not limited to this configuration, and as specified by some design, the driving magnet 41 and the coil unit 31 may be configured such that both of them have curved surfaces, both of them have flat surfaces, or one of them has a curved surface and the other has a flat surface.

So as to allow the coil unit 31 to be coupled to the outer peripheral surface of the bobbin 30, the bobbin 30 may include first surfaces, which are formed to be flat corresponding to the straight surfaces of the coil unit 31, and second surfaces, which are formed to be round corresponding to the curved surfaces of the coil unit 31, but the second surfaces may also be formed to be flat. The second surfaces may have recesses 33 formed in a top portion thereof corresponding to inner yokes 61, which will be described later, and the coil unit 31 may be disposed below the recesses 33. However, the embodiment is not limited to this configuration. That is, a portion of the coil unit 31 may be disposed in the vicinity of the recesses 33. However, the embodiment is not limited to this configuration, and additional yokes may be provided instead of the inner yokes 61.

The housing member 40 may be embodied as a substantially hexahedral-shaped frame. The top surface and the bottom surface of the housing member 40 may be provided with coupling structures to which the upper and lower elastic members 51 and 52 are respectively coupled, and driving magnets 41 may be mounted to side surfaces of the housing member 40. As shown in FIG. 2, the housing member 40 may have mounting holes (or through holes for magnets) 42a formed therein and in which the driving magnets 41 are mounted, but the housing member is not limited to this configuration. The driving magnets 41 may be directly adhered to the inner peripheral surface of the housing member 40 without the mounting holes 42a. As such, if the driving magnets 41 are directly secured to the housing member 40, the driving magnets 41 may be directly bonded and fixed to the lateral surfaces or to the corners of the housing member 40.

Further, the housing member 40 may additionally have through holes 42b in addition to the mounting holes 42a. As illustrated, a pair of through holes 42b may be formed to face each other, but the through holes are not limited to this configuration. That is, the through hole 42b may be formed in the surface of the wall of the housing member 40 that faces the sensing magnet 70, as will be described later, and may have a larger size than the sensing magnet 70. At this time, the through hole 42b may be formed to have a quadrangular shape, a circular shape or a polygonal shape. Alternatively, the existing housing member 40 having four mounting holes 42a may be used without structural change in such a manner that the driving magnets 41 are mounted to two mounting holes 42a and at least one of the two remaining mounting holes 42a is used as a through hole 42b.

12

Alternatively, unlike the embodiment, the lens driving device 1000-1 may not include the housing member 40, and may include only the cover member 60. The cover member 60 may be formed of a ferromagnetic metal material such as steel. The cover member 60 may be formed to have a polygonal shape when observed from above so as to completely surround the bobbin 30. At this time, the cover member 60 may be formed in a quadrangular shape as shown in FIG. 1, or may be formed in an octagonal shape, unlike the shape shown in the drawing. If the cover member 60 has an octagonal shape when observed from above, when the driving magnet 41, which is disposed at the corner of the housing member 40, has a trapezoidal shape when observed from above, the magnetic field emitted from the corner of the housing member 40 may be minimized.

The cover member 60 may be integrally formed with the inner yokes 61, which are disposed at positions corresponding to the receiving recesses. According to the embodiment, one side surface of the inner yoke 61 may be spaced a predetermined distance apart from the coil unit 31, and the remaining side surface of the inner yoke 61 may be spaced a predetermined distance apart from the bobbin 30. Further, the inner yokes 61 may be formed at four corners of the housing member 40. The inner yokes 61 may be bent inwardly from the top surface of the housing member 40 in the direction parallel to the optical axis. Although not illustrated, the inner yoke 61 may have escape recesses formed at positions adjacent to the bent portion. At this time, the escape recesses may be formed in pair or the escape recesses may be symmetrically formed. The bent portion where the escape recesses are formed may form a bottleneck section. This section where the escape recesses are formed may function to minimize interference between the inner yoke 61 and the bobbin 30 when the bobbin 30 is driven up and down. That is, when the bobbin 30 is moved upwards, the bobbin 30 may be prevented from being partially damaged due to interference with the corner portion of the inner yoke 61. The inner yoke 61 may be arranged such that the tip of the inner yoke 61 is spaced a predetermined distance apart from the bottom surface of the recess 33 at the reference position. The purpose of this is to prevent the tip of the inner yoke 61 from coming into contact with or from generating interference with the bottom surface of the recess 33 when the bobbin 30, which is moved reciprocally, reaches the upper limit position. Further, the tip of the inner yoke 61 may also function as a stopper that prevents the bobbin 30 from being moved beyond the limits set in the design specifications. Alternatively, in the case in which a separate housing member 40 is not provided, the driving magnets 41 may be directly bonded and fixed to the lateral surfaces or to the corners of the cover member 60. The magnetization direction of the driving magnets 41 may be directed toward the bobbin 30 and the cover member 60, but the magnetization direction is not limited thereto. The magnetization direction may vary depending on the design specifications.

On the other hand, the sensing unit of the lens driving device 1000-1 according to the 1st embodiment may serve to detect movement of the bobbin 30. To this end, the sensing unit may include a sensing magnet 70 and a position sensor (or a displacement sensing part) 82. Here, the position sensor 82 may be mounted to the circuit board 80.

The sensing magnet 70 may be formed to be smaller and thinner than the driving magnet 41, and may have a square shape, as illustrated in the drawings. However, the sensing magnet is not limited to the square shape, but may be

diversely formed in, for example, a rectangular shape, a triangular shape, a polygonal shape, a circular shape, etc.

The sensing magnet **70** may be mounted to the outer peripheral surface of the bobbin **30**. According to the embodiment, the sensing magnet **70** may be secured to a magnet-mounting portion **72**, provided at the bobbin **30**, using an adhesive or the like. The magnet-mounting portion **72** may include a rib-shaped guide that protrudes from the outer peripheral surface of the bobbin **30**, but the magnet-mounting portion is not limited thereto. The magnet-mounting portion may include a recess, in which the sensing magnet **70** is disposed. As shown in FIG. 3, the rib-shaped guide may be formed to have an opening at the bottom thereof and to surround at least three surfaces of the sensing magnet **70**. At this time, the protruding height of the guide of the magnet-mounting portion **72** may be the same as, lower than, or higher than the thickness of the sensing magnet **70**. Therefore, when the sensing magnet **70** is secured to the magnet-mounting portion **72** using an adhesive or the like, the sensing magnet **70** may be or may not be exposed to the outside of the guide.

On the other hand, the sensing magnet **70** may be disposed at a position at which interference with the coil unit **31** is avoided. That is, as shown in FIG. 3, if the coil unit **31** is mounted to the lower portion of the bobbin **30**, the sensing magnet **70** may be disposed above the coil unit **31**. This serves to prevent the coil unit **31** from affecting the upward and downward movement of the bobbin **30** in the optical axis direction.

Further, the sensing magnet **70**, as shown in FIG. 2, may be disposed so as not to face the driving magnets **41**. That is, a pair of driving magnets **41** may be arranged parallel to each other so as to face each other. At this time, if the housing member **40** is formed in a quadrangular shape, the sensing magnet **70** is not mounted to a position that faces two surfaces of the housing member **40** to which the driving magnets **41** are mounted. For example, referring to FIG. 2, the driving magnets **41** may be arranged to face each other in the x-axis direction, i.e., the second direction, and the sensing magnet **70** may be arranged in the y-axis direction, i.e., the third direction, which is different from the second direction.

The reason why the sensing magnet **70** is arranged so as not to face the driving magnets **41** is to prevent interference between variation in the magnetic force of the sensing magnet **70** and the magnetic force of the driving magnets **41**, thereby enabling the position sensor **82** to more accurately generate feedback on movement of the bobbin **30**.

The circuit board **80**, as shown in FIG. 2, may be disposed at a position corresponding to a side wall of at least one of the bobbin **30**, the housing member **40**, or the cover member **60**. According to the embodiment, a cover member **60** that serves as a shield can may be provided, and the circuit board **80** may be disposed in close contact with the side wall of the cover member **60**. The circuit board **80** may be secured to the outer side surface or to the inner side surface of the cover member **60** in a contact manner, and may be formed to be larger than a window **90** in the cover member **60**. Further, the circuit board **80** may include terminals **81**, which are disposed at one end portion of the circuit board **80** so as to be electrically connected to the printed circuit board **10**, to which an image sensor **11** is mounted, which will be described later. Furthermore, in order to apply electric current to the coil unit **31** through the circuit board **80**, the coil unit **31** may be directly and electrically connected to the circuit board **80**, or may be indirectly connected to the circuit board **80** in such a manner that the coil unit **31** is

connected to the two-divided springs of the lower elastic member **52** and the two springs are electrically connected to the circuit board **80**. In this manner, the coil unit **31** may be electrically connected to the printed circuit board **10** through the circuit board **80**. The electrical connection may be implemented by, for example, soldering, electrically conductive epoxy, Ag epoxy, or various other methods.

Since the position sensor **82**, such as a Hall sensor, is disposed at the inner surface of the circuit board **80**, the position sensor **82** may not be exposed to the outside. The side wall of the cover member **60**, which corresponds to the position sensor **82**, may have a window **90** formed therein, and the housing member **40** may have through holes **42b** formed therein. Therefore, the position sensor **82** may pass through the window **90**, and may be spaced a predetermined distance apart from the sensing magnet **70**. The through holes **42b** formed in the housing member **40** may have the same shape as the mounting portions **42a** for mounting the driving magnets **41**, or may have a larger width and height than the sensing magnet **70**.

The circuit board **80** may be provided with a plurality of terminals **81**. The terminals **81** may serve to output detection signals of the position sensor **82** and to apply electric current to the coil unit **31**.

In the case of the camera module **1000** or the lens driving device **1000-1** according to the above-described 1st embodiment, since feedback on the movement of the bobbin **30** in the optical axis direction is generated by the sensing magnet **70**, the time taken for an auto-focusing operation may be shortened.

Further, the bobbin **30** is moved with the coil unit **31**, which is wound around the bobbin **30**, the thin and light sensing magnet **70** is adhered to the outer wall of the bobbin **30**, and the position sensor **82** for detecting the magnetic force of the sensing magnet **70** is disposed on the surface of one wall of the camera module **1000** in a close-contact manner, thereby achieving an auto-focusing function precisely and rapidly without concern as to deterioration in the response characteristics thereof.

Further, the center of the position sensor **82** may be aligned with the center of the sensing magnet **70**, and the vertical length (two magnetized portions) of the sensing magnet **70** may be longer than a sensing portion of the position sensor **82**. Furthermore, since the surface of the sensing magnet **70** that faces the position sensor **82** is divided into two magnetized portions, position detection may be achieved.

Further, the vertical length of the through hole **42b** and/or the window **90** may be larger than the space, in which the sensing magnet **70** is moved by the upward and downward movement of the bobbin **30**, and/or the size of the position sensor **82**.

Further, the position sensor **82** may be embodied as any sensor capable of detecting a position, such as, for example, a gyro sensor, an angular velocity sensor, an acceleration sensor, and a photo-reflector.

Further, an image sensor **11** may be mounted to the printed circuit board **10**, and the printed circuit board **10** may serve as a bottom surface of the camera module **1000**.

The base **20** may be coupled to the housing member **40**. An additional terminal member may be mounted to the base **20** in order to achieve an electrical connection with the printed circuit board **10**. Alternatively, the terminal member may be integrally formed with the base **20** using a surface electrode or the like.

2nd Embodiment

FIG. 7 shows a schematic perspective view of a lens driving device **2000** according to a *2nd* embodiment, FIG. 8 shows a schematic exploded perspective view according to an embodiment of the lens driving device **2000** illustrated in FIG. 7, and FIG. 9 shows a schematic perspective view according to an embodiment of the lens driving device **2000** in FIG. 7, from which a cover can **102** is removed.

The lens driving device **2000** according to the *2nd* embodiment is a device configured to adjust the distance between a lens (not illustrated) and an image sensor (not illustrated) in the camera module, thereby positioning the image sensor at the focal distance of the lens. That is, the lens driving device **2000** is a device that performs an auto-focusing function.

As illustrated in FIGS. 7 to 9, the lens driving device **2000** according to the *2nd* embodiment may include a cover can **102**, a bobbin **110A**, a first coil **120**, a driving magnet **130**, a housing member **140**, an upper elastic member **150A**, a lower elastic member **160A**, a first circuit board **170A**, a displacement sensing part (or a position sensor) **180**, a sensing magnet **182A**, and a base **190**. Here, the cover can **102**, the bobbin **110A**, the first coil **120**, the driving magnet **130**, the housing member **140**, the upper elastic member **150A**, the lower elastic member **160A**, the first circuit board **170A**, the displacement sensing part **180**, the sensing magnet **182A**, and the base **190** may respectively perform the same functions as the cover member **60**, the bobbin **30**, the coil unit **31**, the driving magnet **41**, the housing member **40**, the upper elastic member **51**, the lower elastic member **52**, the circuit board **80**, the position sensor **82**, the sensing magnet **70**, and the base **20** depicted in FIG. 2. Therefore, the explanation of the constitutional components **60**, **30**, **31**, **41**, **40**, **51**, **52**, **80**, **82**, **70**, and **20** in the *1st* embodiment may be applied to the constitutional components **102**, **110A**, **120**, **130**, **140**, **150A**, **160A**, **170A**, **180**, **182A**, and **190** in the *2nd* embodiment. The explanation of the constitutional components **102**, **110A**, **120**, **130**, **140**, **150A**, **160A**, **170A**, **180**, **182A**, and **190** in the *2nd* embodiment may also be applied to the constitutional components **60**, **30**, **31**, **41**, **40**, **51**, **52**, **80**, **82**, **70**, and **20** in the *1st* embodiment.

The cover can **102** may have the overall shape of a box, and may be configured so as to be provided on the top portion of the base **190** in a mounting, seating, contacting, securing, provisional securing, supporting, coupling or disposing manner. The bobbin **110A**, the first coil **120**, the driving magnet **130**, the housing member **140**, the upper elastic member **150A**, the lower elastic member **160A**, the first circuit board **170A**, the displacement sensing part **180**, and the sensing magnet **182A** may be accommodated in the accommodation space that is defined by providing the cover can **102** on the base **190** in a mounting, seating, contacting, securing, provisional securing, supporting, coupling, or disposing manner.

The cover can **102** may have an opening **101** formed in the top surface thereof, through which the lens (not illustrated), coupled to the bobbin **110A**, is exposed to external light. In addition, the opening **101** may be provided with a window that is made of a light-transmitting material, so as to prevent foreign substances, such as dust, moisture, etc., from being introduced into the camera module.

The cover can **102** may have first recess portions **104** formed in the bottom thereof, and the base **190** may have second recess portions **192** formed in the top thereof. As described later, the second recess portions **192** may be formed in portions of the base **190** (positions corresponding to the first recess portions **104**) that are brought into contact with the first recess portions **104** when the cover can **102** is

provided on the base **190** in a mounting, seating, contacting, securing, provisional securing, supporting, coupling, or disposing manner. The contact, arrangement or coupling of the first recess portions **104** and the second recess portions **192** may form slots (or, recesses) having a predetermined area therebetween. An adhesive member having a predetermined viscosity, such as epoxy, may be injected and spread in the slots. The adhesive member spread in the slots may fill the gaps between the surfaces of the cover can **102** and the base **190** that face each other through the slots, thereby sealing the gaps between the cover can **102** and the base **190** when the cover can **102** is provided on the base **190** in a mounting, seating, contacting, securing, provisional securing, supporting, coupling, or disposing manner. Further, the side surfaces of the cover can **102** and the base **190** may be tightly assembled or coupled to each other when the cover can **102** is provided on the base **190** in a mounting, seating, contacting, securing, provisional securing, supporting, coupling, or disposing manner.

The cover can **102** may further have a third recess portion **106**. Here, the third recess portion **106** may be formed in the surface of the cover can **102** that corresponds to the terminal surface of the first circuit board **170A** so as to prevent interference between a plurality of terminals **171** provided on the terminal surface and the cover can **102**. The third recess portion **106** may be formed in a concave shape on the entire region of the surface of the cover can **102** that faces the terminal surface of the first circuit board **170A**, and an adhesive member may be spread in the third recess portion **106** so that the cover can **102**, the base **190** and the first circuit board **170A** are sealed or coupled to each other.

The first recess portions **104** and the third recess portion **106** are formed in the cover can **102**, and the second recess portions **192** are formed in the base **190**, but the embodiment is not limited to this configuration. That is, according to another embodiment, the first to third recess portions **104**, **192** and **106** may be formed only in the base **190**, or may be formed only in the cover can **102**.

The material of the above-described cover can **102** may include metal, but the embodiment is not limited as to the material of the cover can **102**. Alternatively, the cover can may be formed of a magnetic material.

The base **190** may have an overall quadrangular shape, and may have a stepped portion that protrudes by a predetermined thickness in the outward direction in order to surround the bottom edge of the base **190**. The stepped portion may be formed in a continuous strap shape or may have a discontinuous strap shape at the middle thereof. The thickness of the stepped portion may be the same as the thickness of the side surface of the cover can **102**, and when the cover can **102** is provided on the base **190** in a mounting, seating, contacting, securing, provisional securing, supporting, coupling, or disposing manner, the side surface of the cover can **102** may be positioned on the top or the side surface of the stepped portion of the base **190** in a mounting, seating, contacting, coupling, securing, supporting or disposing manner. Accordingly, the cover can **102**, which is coupled to the top of the stepped portion, may be guided by the stepped portion, and the end portion of the cover can **102** may be coupled to the stepped portion in a surface-contact manner. Here, the end portion of the cover can **102** may have a bottom surface or a side surface. At this time, the stepped portion and the end portion of the cover can **102** may be bonded, coupled or sealed to each other using an adhesive or the like.

The second recess portions **192** may be formed in the stepped portion and may be located at positions correspond-

ing to the first recess portions **104** of the cover can **102**. As described above, the second recess portions **192** may be coupled to the first recess portions **104** of the cover can **102**, thereby forming slots (or, recesses), which serve as spaces to fill with an adhesive member.

Similar to the cover can **102**, the base **190** may have an opening formed in a substantially central portion thereof. The opening may be formed at a position corresponding to the position of the image sensor disposed in the camera module.

Further, the base **190** may have four guide members **194**, which protrude vertically upwards by a predetermined height from four corners of the base **190**. The guide members **194** may have a polygonal column shape. The guide members **194** may be provided on lower guide recesses **148** of the housing member **140** in a mounting, inserting, seating, contacting, coupling, securing, supporting, or disposing manner, which will be described later. When the housing member **140** is provided on the top of the base **190** in a mounting, seating, contacting, coupling, securing, supporting, or disposing manner, the guide members **194** and the lower guide recesses **148** may function to guide the coupling position of the housing member **140** and the base **190** and to increase the coupling area between the housing member **140** and the base **190**, and may further function to prevent the housing member **140** from being separated from its normal mounting position due to vibrations generated during the operation of the lens driving device **2000** or due to a worker's mistake in an assembly process.

FIG. **10** is a schematic plan perspective view of the housing member **140** according to another embodiment, FIG. **11** is a schematic bottom perspective view of the housing member **140** according to another embodiment, FIG. **12** shows a schematic exploded perspective view of the driving magnet **130**, the housing member **140**, the first circuit board **170A** and the displacement sensing part **180** according to another embodiment, FIG. **13** shows a plan perspective view of the upper elastic member **150A**, and FIG. **14** shows a plan perspective view of the lower elastic member **160A**.

Referring to FIGS. **10** to **12**, the housing member **140** may have an overall hollow column shape (for example, as illustrated, a hollow quadrangular column shape). The housing member **140** may have a configuration capable of supporting two or more driving magnets **130** and the first circuit board **170A**, and may accommodate the bobbin **110A** therein so that the bobbin **110A** is movable in the z-axis direction, which is the first direction, relative to the housing member **140**.

The housing member **140** may include four flat side surfaces **141**. The area of each of the side surfaces **141** of the housing member **140** may be the same as or larger than that of each of the driving magnets **130**.

As illustrated in FIG. **12**, two opposing first side surfaces of the four side surfaces **141** of the housing member **140** may have respective through holes (or recesses) **141a** and **141a'** for magnets formed therein, the driving magnets **130** being provided in the through holes **141a** and **141a'** for magnets in a mounting, inserting, seating, contacting, coupling, securing, supporting or disposing manner. The through-holes **141a** and **141a'** for magnets may have a size and/or shape corresponding to the driving magnets **130**, or may have a shape capable of guiding the driving magnets **130**. One (hereinafter, referred to as a "first driving magnet **131**") of the driving magnets **130** and the other (hereinafter, referred to as a "second driving magnet **132**") of the driving magnets **130** may be provided in a corresponding one of the

first and second through holes **141a** and **141a'** for magnets in a mounting, inserting, seating, contacting, coupling, securing, supporting, or disposing manner. Although total two driving magnets **130** are illustrated in the embodiment, the embodiment is not limited to this configuration. Of course, four driving magnets **130** may be provided.

The above-described driving magnets **130** may be generally classified into ferrite, alnico, and rare earth magnets, and may also be classified into a P-type and an F-type according to a magnetic circuit configuration. However, the embodiment is not limited as to the classification of the driving magnets **130**.

One side surface of the four side surfaces **141** of the housing member **140**, which is perpendicular to the two opposing first side surfaces, or one surface other than the two opposing first side surfaces may have a through hole **141b** or a recess (not illustrated) for a sensor formed therein, the displacement sensing part **180**, which will be described later, being provided in the through hole **141b** or the recess in a mounting, inserting, seating, contacting, coupling, securing, supporting, or disposing manner. The through hole **141b** for a sensor may have a size and a shape corresponding to the displacement sensing part **180**, and may be spaced a predetermined distance apart from the first and second through holes **141a** and **141a'** for magnets. The through hole **141b** for a sensor may be formed in one of the side surfaces **141** of the housing member **140**, in which the first circuit board **170A** is provided in a mounting, seating, contacting, coupling, securing, provisional securing, supporting, or disposing manner.

Further, one side surface of the housing member **140** may be provided with at least one mounting protrusion **149** so as to allow the first circuit board **170A** to be provided in the one side surface of the housing member **140** in a mounting, seating, contacting, coupling, securing, provisional securing, supporting, or disposing manner.

The mounting protrusion **149** may be positioned in a mounting through hole **173** formed in the first circuit board **170A** in a mounting, inserting, seating, contacting, coupling, securing, provisional securing, supporting, or disposing manner. At this time, the mounting through hole **173** and the mounting protrusion **149** may contact each other or may be coupled to each other in a shape-fitting or press-fitting manner, but these elements **173** and **149** may function merely to guide the first circuit board **170A** to be positioned in the housing member **140** in a mounting, seating, contacting, coupling, securing, provisional securing, supporting, or disposing manner.

Here, another side surface of the four side surfaces **141** of the housing member **140**, which is opposite the one side surface, may be a flat surface, but the embodiment is not limited to this configuration.

Although not illustrated, two opposing second side surfaces of the housing member **140**, which are perpendicular to the two opposing first side surfaces, may additionally have third and fourth through holes for magnets formed therein.

At this time, the first through hole **141a** for a magnet and the second through hole **141a'** for a magnet may have the same size and shape as each other, and may have a length in the lateral direction that is (almost) the same as the overall length in the lateral direction of the two opposing first side surfaces of the housing member **140**. Meanwhile, the third through hole for a magnet and the fourth through hole for a magnet may have the same size and shape as each other, and may have a smaller length in the lateral direction than the first through hole **141a** for a magnet and the second through

hole 141a' for a magnet. This is because the through hole 141b for a sensor is formed in the second side surface, in which the third or fourth through hole for a magnet is formed, and consequently there is a need to secure a space for formation of the through hole 141b for a sensor.

The first driving magnet 131 and the second driving magnet 132 may have the same size and shape as each other, and may have a length in the lateral direction that is almost the same as the overall length in the lateral direction of the two opposing first side surfaces of the housing member 140 as aforementioned. The third and fourth driving magnets (not illustrated), which may be respectively positioned in the third and fourth through holes (not illustrated) for magnets in a mounting, inserting, seating, contacting, coupling, securing, provisional securing, supporting, or disposing manner, may have the same size and shape as each other, and may have a smaller length in the lateral direction than the first driving magnet 131 and the second driving magnet 132.

Herein, similar to the first and second through holes 141 and 141a' for magnets, the third and fourth through holes for magnets may be arranged in a straight line in a symmetrical manner about the center of the housing member 140. That is, the third and fourth driving magnets (not shown) may be arranged based on the center of the housing member 140 or in a straight line in a symmetrical manner based on the center of the housing member 140.

If the first and second driving magnets 131 and 132 or the third and fourth driving magnets are arranged opposite each other in a manner of being biased from the center of the housing member 140, electromagnetic force may be biasedly applied to the first coil 120 of the bobbin 110A, and thus there may be the possibility of the bobbin 110A tilting. In other words, if the third and fourth driving magnets as well as the first and second driving magnets 131 and 132 are arranged in a straight line in a symmetrical manner based on the center of the housing member 140, electromagnetic force may be unbiasedly applied to the first coil 120 of the bobbin 110A, and consequently the bobbin 110A may be moved easily and accurately in the first direction.

Hereinafter, for convenience of explanation, the lens driving device 2000 according to the 1st embodiment will be described with reference to a structure that includes only the first and second driving magnets 131 and 132, but the explanation below may also be applied to a structure that further includes the third and fourth driving magnets.

The housing member 140 may have a plurality of first stoppers 143 protruding from the top surface thereof. The first stoppers 143 may function to prevent collisions between the cover can 102 and the body of the housing member 140, and more particularly, to prevent the top surface of the housing member 140 from directly colliding with the top inner surface of the cover can 102 when an external shock occurs. Further, the first stoppers 143 may function to guide the mounting position of the upper elastic member 150A. For example, referring to FIGS. 9 and 13, the upper elastic member 150A may have guide recesses 155, formed to have a shape corresponding to the first stoppers 143 at positions corresponding thereto.

The housing member 140 may have a plurality of upper frame support protrusions 144 protruding from the top surface thereof, so that an outer frame 152 of the upper elastic member 150A is positioned on the housing member 140 through the plurality of upper frame support protrusions 144 in an inserting, seating, contacting, securing, provisional securing, coupling, supporting, or disposing manner. The outer frame 152 of the upper elastic member 150A may have first through holes (or recesses) 152a, formed to have a

shape corresponding to the upper frame support protrusions 144 at positions corresponding thereto. After being positioned in the first through holes 152a in an inserting, seating, contacting, securing, provisional securing, coupling, supporting or disposing manner, the upper frame support protrusions 144 may be fixed through an adhesive or welding, and the welding may include heat welding, ultrasonic welding or the like.

The housing member 140 may have a plurality of lower frame support protrusions 147 protruding from the bottom surface thereof for coupling of an outer frame 162 of the lower elastic member 160A to the housing member 140. The lower frame support protrusions 147 may be formed at four corners of the bottom surface of the housing member 140. Meanwhile, referring to FIG. 14, the outer frame 162 of the lower elastic member 160A may have engagement portions (or insertion recesses or holes) 162a formed at positions corresponding to the lower frame support protrusions 147, so that the lower frame support protrusions 147 are positioned in the engagement portions 162a in a mounting, inserting, seating, contacting, coupling, securing, provisional securing, supporting or disposing manner, the engaged portions may be fixed through an adhesive or welding, and the welding may include heat welding, ultrasonic welding or the like.

The housing member 140 may be a yoke housing member capable of functioning as a yoke. The yoke housing member may be structured such that the upper elastic member 150A and the top inner surface of the yoke are spaced apart from each other. This serves to prevent interference between the upward movement of the bobbin 110A and the yoke.

Alternatively, the yoke (not illustrate) may serve as the housing member 140. In this case, the yoke may be coupled to the base 190, and the upper elastic member 150A may be disposed below or in the yoke.

According to another embodiment, an additional cover may be further disposed on the yoke. In this case, the upper elastic member 150A may be disposed on the yoke or between the yoke and the cover, and the upper elastic member 150A may be coupled to the cover or the yoke.

On the other hand, the driving magnets 130 (131 and 132) may be respectively secured to the through holes 141a and 141a' for magnets using an adhesive, but the securing method is not limited thereto, and may be implemented using an adhesive member such as a double-sided adhesive tape. Alternatively, according to a modified embodiment, unlike the drawings, the housing member 140 may have recess-shaped magnet-receiving portions (not illustrated) formed in the inner surface thereof, instead of the first and second through holes 141a and 141a' for magnets, and the magnet-receiving portions may have a size and a shape corresponding to the driving magnets 130.

The driving magnets 130 may be arranged at positions facing the first coil 120, which is disposed around the outer peripheral surface of the bobbin 110A. The driving magnets 130 may be divided into separate parts as illustrated, or may be formed in a singular body, unlike the drawings. According to the embodiment, each of the driving magnets 130 may be arranged such that the surface facing the first coil 120 of the bobbin 110A is an N-pole surface and the opposite surface is an S-pole surface. However, the arrangement of the driving magnets is not limited thereto, and the driving magnets may be arranged in the opposite manner.

The driving magnets 130 may have a two-divided structure that lies in the plane perpendicular to the optical axis. That is, the driving magnets 130 may be bipolar-magnetized magnets, and may include a first magnet (not illustrated) and

a second magnet (not illustrated), which are arranged opposite each other in the plane perpendicular to the optical axis, with a non-magnetic partition wall (not illustrated) interposed therebetween. Here, the non-magnetic partition wall may be air or another non-magnetic substance. The first and second magnets may be arranged such that the polarities of the magnets facing each other are opposite each other, but the embodiment is not limited to this configuration, and may have various other configurations. The bipolar-magnetized magnet will be described later in detail with reference to FIG. 37a, FIG. 37b, FIG. 43a and FIG. 43b.

The first and second driving magnets **131** and **132** may be formed in a rectangular parallelepiped shape having a predetermined width, and may be respectively seated in the first and second through holes **141a** and **141a'** for magnets such that all or some of the surfaces of the first and second driving magnets **131** and **132** may serve as a portion of the side surface (the outer surface or the inner surface) of the housing member **140**. The first and second driving magnets **131** and **132** may be disposed on the side surfaces of the housing member **140**, may be disposed on or coupled to the inner surface of the above-described yoke, or may be coupled or secured to the inner surface of the yoke without the housing member **140**. At this time, the driving magnets **131** and **132**, which face each other, may be mounted parallel to each other. The surface of each of the driving magnets **130** and the surface of the first coil **120** of the bobbin **110A**, which face each other, may be arranged parallel to each other. However, the embodiment is not limited to this configuration, and as specified by some design, only one of the driving magnets **130** and the first coil **120** of the bobbin **110A** may be configured as a flat surface, and the other may be configured as a curved surface. Alternatively, both the surface of the first coil **120** of the bobbin **110A** and the surface of each of the driving magnets **130**, which face each other, may be curved surfaces, in which case the surface of the first coil **120** of the bobbin **110A** and the surface of each of the driving magnets **130** that face each other may have the same curvature.

Further, as described above, the through hole **141b** or the recess for a sensor may be formed in one side surface of the housing member **140**, the displacement sensing part **180** may be positioned in the through hole **141b** or the recess for a sensor in a mounting, inserting, seating, contacting, coupling, securing, provisional securing, supporting or disposing manner, and the displacement sensing part **180** may be electrically coupled to one surface of the first circuit board **170A** in a soldering manner. In other words, the first circuit board **170A** may be positioned on the outer portion of one of the four side surfaces **141** of the housing member **140**, in which the through hole **141b** or the recess for a sensor is formed, in a mounting, inserting, seating, contacting, coupling, securing, provisional securing, supporting or disposing manner.

The sensing unit may detect/determine a first displacement value in the first direction of the bobbin **110A**. To this end, the sensing unit may include a displacement sensing part **180** and a sensing magnet **182A**. The displacement sensing part **180** and the through hole **141b** or the recess for a sensor may be disposed at a position corresponding to the position of the sensing magnet **182A**. As illustrated, the sensing magnet **182A** may be embodied as vertically two-divided bipolar-magnetized magnets in order to increase the intensity of a magnetic field, but the embodiment is not limited to this configuration.

The displacement sensing part **180** may be a sensor capable of detecting variation in the magnetic force emitted

from the sensing magnet **182A** of the bobbin **110A**. For example, the displacement sensing part **180** may be a Hall sensor, but the embodiment is not limited to this configuration. According to another embodiment, any sensor, not necessarily a Hall sensor, may be used as the displacement sensing part **180** so long as it is capable of detecting variation in the magnetic force, and any sensor capable of detecting a position besides magnetic force may also be used. For example, a configuration using a photo-reflector may be possible. In the case in which the displacement sensing part **180** is embodied as a Hall sensor, calibration with respect to the driving distance of the actuator may be additionally carried out based on the Hall voltage difference with respect to variation in a magnetic flux density that is detected by the Hall sensor. For example, in the case in which the displacement sensing part **180** is embodied as a Hall sensor, the Hall sensor **180** may include a plurality of pins. For example, the plurality of pins may include 1st and 2nd pins. The 1st pins may include a 1-1⁴ pin and a 1-2nd pin, which are respectively connected to a voltage source and a ground, and the 2nd pins may include a 2-1⁴ pin and a 2-2nd pin, which output sensing results. Here, the sensing results may be output from the 2-1⁴ and 2-2nd pins in the form of electric current, but the embodiment is not limited to this type of sensing result output. The first circuit board **170A** is connected to the Hall sensor **180** in order to supply power to the 1-1⁴ and 1-2nd pins and to receive signals from the 2-1⁴ and 2-2nd pins.

The first circuit board **170A** may be positioned on one side surface of the housing member **140** in a mounting, inserting, seating, contacting, coupling, securing, provisional securing, supporting or disposing manner. At this time, as described above, since the first circuit board **170A** has the mounting through hole **173** or the recess formed therein, the mounting position of the first circuit board **170A** may be guided by the mounting protrusion **149** formed in one side surface of the housing member **140**. The number of mounting protrusions **149** may be one or more, and in the case in which two or more mounting protrusions are provided, it may be easier to guide the mounting position of the first circuit board **170A**.

The first circuit board **170A** may include a plurality of terminals **171** so as to receive external power and to supply required electric current to the first coil **120** of the bobbin **110A** and the displacement sensing part **180**. The number of terminals **171** provided in the first circuit board **170A** may be increased or decreased depending on the type of constitutional components that need to be controlled. For example, the plurality of terminals **171** of the first circuit board **170A** may include power terminals, which receive external power, and I2C communication terminals. Here, one of the power terminals may be a terminal that is connected to a voltage source, and the other of the power terminals may be a terminal that is connected to a ground.

Further, referring to FIGS. 9 and 12, the first circuit board **170A** may be provided with at least one pin **172**. The number of pins **172** may be four or more or less. For example, the four pins **172** may include a test pin, a hole pin, a VCM+ pin, and a VCM- pin, but the embodiment is not limited to these types of pins. Here, the test pin may be a pin that is used to evaluate the performance of the lens driving device **2000**. The hole pin may be a pin that is used to draw data output from the displacement sensing part **180**. The VCM+ pin and the VCM- pin may be pins that are used to evaluate the performance of the lens driving device **2000** without receiving feedback from the displacement sensing part **180**.

According to the embodiment, the first circuit board **170A** may be embodied as an FPCB. Although it has been described above that the lens driving device **2000** includes the displacement sensing part **180**, the displacement sensing part **180** may be omitted in some embodiments.

Further, although it has been described above that the first circuit board **170A** is positioned on the outer side surface of the housing member **140** in a mounting, inserting, seating, contacting, coupling, securing, provisional securing, supporting or disposing manner, the embodiment is not limited to this configuration. That is, according to another embodiment, in the case in which the lens driving device **2000** does not include the displacement sensing part **180**, the first circuit board **170A** may be positioned below the housing member **140**, rather than at the outer side surface of the housing member **140**.

FIG. **15** shows a plan perspective view of the bobbin **110A** depicted in FIG. **8** according to another embodiment, and FIG. **16** shows a bottom perspective view of the bobbin **110A** depicted in FIG. **8** according to another embodiment.

Referring to FIGS. **10**, **11**, and **13** to **16**, the upper elastic member **150A** and the lower elastic member **160A** may resiliently support upward and/or downward movement in the optical axis direction of the bobbin **110A**. The upper elastic member **150A** and the lower elastic member **160A** may be embodied as a plate spring, but the embodiment is not limited to this configuration of the upper and lower elastic members **150A** and **160A**.

The upper elastic member **150A** may include an inner frame **151**, which is coupled to the bobbin **110A**, an outer frame **152**, which is coupled to the housing member **140**, and connection portions **153**, which connect the inner frame **151** and the outer frame **152**.

The lower elastic member **160A** may include an inner frame **161**, which is coupled to the bobbin **110A**, an outer frame **162**, which is coupled to the housing member **140**, and connection portions **163**, which connect the inner frame **161** and the outer frame **162**.

The connection portions **153** and **163** may be formed so as to be bent once or more in a certain pattern. Upward and/or downward movement of the bobbin **110A** in the first direction, i.e., the optical axis direction, may be resiliently (or elastically) supported by a positional change and minute deformation of the connection portions **153** and **163**.

According to the embodiment, as illustrated in FIG. **13**, the upper elastic member **150A** may include a plurality of first through holes **152a** formed in the outer frame **152** and a plurality of second through holes **151a** formed in the inner frame **151**.

The first through holes **152a** may be coupled to upper frame support protrusions **144** formed in the top surface of the housing member **140**, and the second through holes **151a** may be coupled to upper support protrusions **113** formed in the top surface of the bobbin **110A**.

The upper support protrusions **113** will be described later in detail. That is, the outer frame **152** may be positioned on the housing member **140** in a mounting, seating, contacting, securing, provisional securing, supporting, disposing or coupling manner using the first through holes **152a**, and the inner frame **151** may be positioned on the bobbin **110A** in a mounting, seating, contacting, securing, provisional securing, supporting, disposing or coupling manner using the second through holes **151a**.

The connection portions **153** of the upper elastic member **150A** may connect the inner frame **151** and the outer frame **152** so that the inner frame **151** is capable of being elasti-

cally deformed within a predetermined range in the first direction relative to the outer frame **152**.

At least one of the inner frame **151** or the outer frame **152** of the upper elastic member **150A** may include at least one terminal that is electrically connected to at least one of the first coil **120** of the bobbin **110A** or the first circuit board **170A**.

Referring to FIG. **14**, the lower elastic member **160A** may include a plurality of engagement portions **162a** formed in the outer frame **162**, and a plurality of third through holes (or recesses) **161a** formed in the inner frame **161**.

As described above, the engagement portions **162a** may be positioned on the bottom surface of the housing member **140** in a mounting, inserting, seating, contacting, coupling, securing, provisional securing, supporting or disposing manner, and the third through holes **161a** may be assembled with lower support protrusions **114** formed in the bottom surface of the bobbin **110A**, which is illustrated in FIG. **16**, in a contacting, coupling, securing or provisional securing manner. That is, the outer frame **162** may be positioned on the housing member **140** in a mounting, inserting, seating, contacting, coupling, securing, provisional securing, supporting or disposing manner using the engagement portions **162a**, and the inner frame **161** may be positioned on the bobbin **110A** in a mounting, inserting, seating, contacting, coupling, securing, provisional securing, supporting or disposing manner using the third through holes **161a**.

The connection portions **163** of the lower elastic member **160A** may connect the inner frame **161** and the outer frame **162** so that the inner frame **161** is capable of being elastically deformed within a predetermined range in the first direction relative to the outer frame **162**.

The lower elastic member **160A** may include a first lower elastic member **160a** and a second lower elastic member **160b**, which are separated from each other. Due to such a two-divided structure, the first lower elastic member **160a** and the second lower elastic member **160b** of the lower elastic member **160A** may receive power or current having different polarities. That is, the inner frame **161** and the outer frame **162** are respectively coupled to the bobbin **110A** and the housing member **140**, the inner frame **161** has solder portions provided at positions corresponding to both ends of the first coil **120** disposed around the bobbin **110A**, and electrical connection, such as soldering, is performed to the solder portions, thereby applying power or current having different polarities to the first lower elastic member **160a** and the second lower elastic member **160b** of the lower elastic member **160A**. Further, the first lower elastic member **160a** may be electrically connected to one of the two ends of the first coil **120**, and the second lower elastic member **160b** may be electrically connected to the other of the two ends of the first coil **120**, thereby receiving current and/or voltage from the outside. To this end, at least one of the inner frame **161** or the outer frame **162** of the lower elastic member **160A** may include at least one terminal, which is electrically connected to at least one of the first coil **120** of the bobbin **110A** or the first circuit board **170A**. The two ends of the first coil **120** may be arranged on the opposite sides based on the bobbin **110A**, or may be arranged adjacent to each other on the same side.

On the other hand, the upper elastic member **150A**, the lower elastic member **160A**, the bobbin **110A** and the housing member **140** may be assembled through a bonding process using heat welding and/or an adhesive. At this time, the assembly sequence may be such that the components are first fixed using heat welding and are then bonded to each other using an adhesive.

25

According to another embodiment, the upper elastic member 150A, as illustrated in FIG. 14, may have a two-divided structure, and the lower elastic member 160A, as illustrated in FIG. 13, may have a unitary structure.

FIG. 17 shows an exploded perspective view of the bobbin 110A, the first coil 120, the displacement sensing part 180 and the sensing magnet 182A according to another embodiment, and FIG. 18 shows a schematic bottom perspective view of the bobbin 110A, the first coil 120, the first and second driving magnets 131 and 132, the displacement sensing part 180 and the sensing magnet 182A according to another embodiment.

The bobbin 110A may be mounted in the housing member 140 so as to be movable reciprocatingly in the optical axis direction. The first coil 120 may be mounted around the outer peripheral surface of the bobbin 110A, and may electromagnetically interact with the driving magnet 130 of the housing member 140, thereby moving the bobbin 110A reciprocatingly in the first direction.

Further, the bobbin 110A may be supported resiliently (or elastically) by the upper elastic member 150A and the lower elastic member 160A so that the bobbin 110A is capable of moving in the first direction, i.e. the optical axis direction, and consequently of performing the auto-focusing function.

Although not illustrated, at least one lens may be provided in the bobbin 110A in a mounting, inserting, seating, contacting, coupling, securing, provisional securing, supporting or disposing manner. For example, the bobbin 110A may include a lens barrel (not illustrated) in which at least one lens is mounted. The lens barrel is a constitutional component of the camera module, which will be described later, but may not be an essential component of the lens driving device. The lens barrel may be coupled to the inside of the bobbin 110A in various manners. In one example, female threads may be formed in the inner peripheral surface of the bobbin 110A, and male threads, which correspond to the female threads, may be formed on the outer peripheral surface of the lens barrel, so that the lens barrel is coupled to the bobbin 110A in a screw-engagement manner. However, the embodiment is not limited to this engagement manner, and the lens barrel may be directly secured to the inside of the bobbin 110A using methods other than screw-engagement without forming threads in the inner peripheral surface of the bobbin 110A.

Alternatively, one or more lenses, without a lens barrel, may be integrally formed with the bobbin 110A. Only a single lens may be coupled to the lens barrel, or two or more lenses may be provided to form an optical system.

The bobbin 110A may have a plurality of upper support protrusions 113 protruding from the top surface thereof and a plurality of lower support protrusions 114 protruding from the bottom surface thereof. The upper support protrusions 113, as illustrated in FIG. 15, may have a cylindrical shape or an angular column shape, and the inner frame 151 of the upper elastic member 150A and the bobbin 110A may be assembled with the upper support protrusions 113 in a coupling, securing, provisional securing, contacting or supporting manner. According to the embodiment, the inner frame 151 of the upper elastic member 150A may have second through holes 151a formed at positions corresponding to the upper support protrusions 113. At this time, the upper support protrusions 113 and the second through holes 151a may be secured to each other using heat welding, or may also be secured to each other using an adhesive member such as epoxy or the like. The upper support protrusions 113 may be provided in a plural number. The distance between the upper support protrusions 113 may be set within a

26

suitable range capable of avoiding interference with peripheral components. That is, the upper support protrusions 113 may be equidistantly arranged in a symmetrical manner about the center of the bobbin 110A, or may alternatively be non-equidistantly arranged in a symmetrical manner about a certain imaginary line that passes through the center of the bobbin 110A.

Similar to the upper support protrusions 113, the lower support protrusions 114, as illustrated in FIG. 16, may have a cylindrical shape or an angular column shape, and the inner frame 161 of the lower elastic member 160A and the bobbin 110A may be assembled with the lower support protrusions 114 in a coupling, securing, provisional securing, contacting or supporting manner. According to the embodiment, the inner frame 161 of the lower elastic member 160A may have third through holes 161a formed at positions corresponding to the lower support protrusions 114 of the bobbin 110A. At this time, the lower support protrusions 114 and the third through holes 161a may be secured to each other using heat welding, or may also be secured to each other using an adhesive member such as epoxy or the like. As illustrated in FIG. 16, the lower support protrusions 114 may be provided in a plural number. The distance between the lower support protrusions 114 may be set within a suitable range capable of avoiding interference with peripheral components. That is, the lower support protrusions 114 may be equidistantly arranged in a symmetrical manner about the center of the bobbin 110A.

The bobbin 110A may have upper escape recesses 112, formed at positions corresponding to the connection portions 153 of the upper elastic member 150A in the top surface of the bobbin 110A, and lower escape recesses 118, formed at positions corresponding to the connection portions 163 of the lower elastic member 160A, in the bottom surface of the bobbin 110A.

Due to the upper escape recesses 112 and the lower escape recesses 118, when the bobbin 110A is moved in the first direction relative to the housing member 140, spatial interference between the connection portions 153 and 163 and the bobbin 110A may be prevented, and elastic deformation of the connection portions 153 and 163 may be more easily achieved. As illustrated in FIG. 15 or 16, the upper escape recesses 112 or the lower escape recesses 118 may be located in the corners of the bobbin 110, but alternatively, may be located in the side surfaces of the bobbin depending on the shape and/or position of the connection portions of the elastic members.

Further, the bobbin 110A may have a coil-receiving recess (or a coil-receiving portion) 116 formed in the outer peripheral surface thereof, into which the first coil 120 is positioned in a mounting, inserting, seating, contacting, coupling, securing, provisional securing, supporting or disposing manner, but the embodiment is not limited to this configuration. That is, according to another embodiment, instead of directly providing the first coil 120 on the outer peripheral surface of the bobbin 110A in a mounting, inserting, seating, contacting, coupling, securing, provisional securing, supporting or disposing manner, a coil ring (not illustrated), which has the same shape as the outer peripheral shape of the bobbin 110A, may be provided adjacent to the outer peripheral surface of the bobbin 110A in a mounting, inserting, seating, contacting, coupling, securing, provisional securing, supporting or disposing manner, and the first coil 120 may be positioned in the coil ring in a mounting, inserting, seating, contacting, coupling, securing, provisional securing, supporting or disposing manner.

The first coil **120** may be embodied as a ring-shaped coil block, which is positioned on the outer peripheral surface of the bobbin **110A** or in the coil-receiving recess **116** in a mounting, inserting, seating, contacting, coupling, securing, provisional securing, supporting or disposing manner, but the embodiment is not limited to this configuration. The coil **120** may be directly wound around the outer peripheral surface of the bobbin **110A** or the coil-receiving recess **116**. In the case in which the pre-wound first coil **120** is provided around the bobbin **110A** in a mounting, inserting or disposing manner, the first coil **120** may be positioned around the bobbin **110A** in a mounting, inserting or disposing manner from above or below the bobbin **110A**.

According to the embodiment, the first coil **120**, as illustrated in FIG. **17**, may be formed to have a substantially octagonal shape. This shape corresponds to the shape of the outer peripheral surface of the bobbin **110A**, and the bobbin **110A** may also have an octagonal shape. Further, at least four surfaces (or at least twenty-two surfaces) of the first coil **120** may be formed to be straight, and the edge portions connecting these surfaces may be formed to be round or straight. At this time, the portion that is formed to be straight may be a surface corresponding to the driving magnet **130**. Further, the surface of the driving magnet **130** that corresponds to the first coil **120** may have the same curvature as the curvature of the first coil **120**. That is, if the first coil **120** is straight, the surface of the driving magnet **130** corresponding thereto may be straight, and if the first coil **120** is curved, the surface of the driving magnet **130** corresponding thereto may be curved and may have the same curvature as the curvature of the first coil **120**. Also, even when the first coil **120** is curved, the surface of the driving magnet **130** corresponding thereto may be straight, and the opposite case may also be possible.

The first coil **120** functions to move the bobbin **110A** in the optical axis direction so as to perform an auto-focusing function. As described above, when electric current is applied to the first coil **120**, the first coil **120** electromagnetically interacts with the driving magnets **130**, and electromagnetic force is generated, by which the bobbin **110A** is capable of being moved as aforementioned.

On the other hand, the first coil **120** may be formed to correspond to the driving magnet **130**. As illustrated, if the driving magnet **130** is embodied as a singular body and the entire surface thereof that faces the first coil **120** has the same polarity, the surface of the first coil **120** that corresponds to the driving magnet **130** may be formed to have the same polarity. Meanwhile, although not illustrated, if the driving magnet **130** has a two-divided structure that lies in the plane perpendicular to the optical axis and has two or more surfaces that face the first coil **120**, the first coil **120** may also be divided into the same number of elements as the number of elements into which the driving magnet **130** is divided.

The lens driving device **2000** may further include a sensing magnet **182A**. The sensing magnet **182A** may be assembled with the bobbin **110A** in a mounting, inserting, seating, contacting, coupling, securing, provisional securing, supporting or disposing manner. Accordingly, when the bobbin **110A** is moved in the first direction, the sensing magnet **182A** may move to be displaced the same distance as the bobbin **110A** in the first direction. Further, the sensing magnet **182A** may be integrally formed with the bobbin **110A**, and may be arranged such that a portion directed above the bobbin **110A** is an N-pole portion and a portion directed below the bobbin **110A** is an S-pole portion. How-

ever, the embodiment is not limited to this configuration, and the opposite case may also be possible.

Further, the sensing magnet **182A** may be embodied as two-divided bipolar-magnetized magnets that lie in the plane perpendicular to the optical axis. The bipolar-magnetized magnet will be described later in detail with reference to FIG. **37a**, FIG. **37b**, FIG. **43a** and FIG. **43b**.

As illustrated in FIGS. **15** to **18**, the bobbin **110A** may further include an accommodation recess **117** formed in the outer peripheral surface of the bobbin **110A** in order to accommodate the sensing magnet **182A**.

The accommodation recess **117** may be formed concave to a predetermined depth in inward direction of the bobbin **110A** from the outer surface of the bobbin **110A**. In particular, the accommodation recess **117** may be formed in one side surface of the bobbin **110A** such that at least a portion of the accommodation recess **117** is located inside the first coil **120**.

Further, at least a portion of the accommodation recess **117** may be formed to be concave to a predetermined depth in the inward direction of the bobbin **110A** and to be deeper than the coil-receiving recess **116**. As such, by forming the accommodation recess **117** in the inward direction of the bobbin **110A**, the sensing magnet **182A** may be accommodated in the bobbin **110A**, and consequently there is no need to secure additional space for mounting the sensing magnet **182A**, which leads to improvement in space efficiency of the bobbin **110A**.

Specifically, the accommodation recess **117** may be disposed at a position corresponding to the position of the displacement sensing part **180** of the housing member **140** or a position opposite the displacement sensing part **180**. Accordingly, the displacement sensing part **180** and the sensing magnet **182A** may be aligned along the same axis.

Since the distance d between the sensing magnet **182A** and the displacement sensing part **180**, which corresponds to the sum of the thickness of the first coil **120** and the distance between the first coil **120** and the displacement sensing part **180**, is capable of being minimized, the magnetic force detection accuracy of the displacement sensing part **180** may be enhanced.

In more detail, as illustrated in FIGS. **15** to **18**, the accommodation recess **117** may include an inner surface, by which one surface of the sensing magnet **182A** is supported, and an adhesion recess **117b**, which is formed concave to a predetermined depth in the inward direction from the inner surface in order for an adhesive to be injected.

The inner surface of the accommodation recess **117** is a surface that is located at an inward position that is directed toward the center of the bobbin **110A**, and when the sensing magnet **182A** has a rectangular parallelepiped shape, a larger surface of the sensing magnet **182A** contacts or is seated on the inner surface of the accommodation recess.

The adhesion recess **117b** of the accommodation recess **117** may be a recess that is formed such that a portion of the inner surface is dug to be more concave and deeper in the inward direction toward the center of the bobbin **110A**. The adhesion recess **117b** may extend to the inner surface of the bobbin **110A**, on which one surface of the sensing magnet **182A** is positioned in a mounting, inserting, seating, contacting, coupling, securing, provisional securing, supporting or disposing manner.

In another embodiment, the depth between the inner surface of the accommodation recess **117**, by which one surface (that is, the larger surface) of the sensing magnet **182A** is supported, and the outer peripheral surface (that is, the surface of the coil-receiving recess **116**), on which the

first coil 120 is disposed, may be equal to or smaller than the thickness of the sensing magnet 182A. Accordingly, the sensing magnet 182A may be secured in the accommodation recess 117 due to the inwardly pressurizing force of the first coil 120, which is generated by winding the first coil 120. In this case, there may be no need to use an adhesive.

In an additional embodiment, although not illustrated in the drawings, the bobbin 110A may further include an additional accommodation recess 117, which is formed in the outer peripheral surface of the bobbin 110A at a position symmetrical to the accommodation recess 117 about the center of the bobbin 110A, that is, a position opposite the position on the outer peripheral surface at which the accommodation recess 117 is formed, and a weight-balancing member, which is accommodated in the additional accommodation recess 117.

According to the embodiment, the sensing magnet 182A may be omitted. In this case, a driving magnet 130 may be used instead of the sensing magnet 182A.

According to the above description, the embodiment is capable of generating feedback on the amount of displacement in the optical axis direction of the lens using the sensing results of the displacement sensing part 180 and of readjusting the position of the lens in the optical axis direction, thereby shortening the time taken for focal alignment of the lens.

Further, the embodiment is capable of minimizing the distance between the sensing magnet 182A, which is assembled with the bobbin 110A, which is a movable unit (or a movable body), in a mounting, seating, contacting, securing, provisional securing, coupling, supporting or disposing manner, and the displacement sensing part 180, which is assembled with the housing member 140, which is a fixed unit (or a fixed body), in a mounting, seating, contacting, securing, provisional securing, coupling, supporting or disposing manner, and consequently of more accurately detecting the amount of displacement in the optical axis direction of the lens, thereby more accurately positioning the lens at the focal distance of the lens.

Further, since the sensing magnet 182A is positioned in the bobbin 110A in a mounting, seating, contacting, securing, provisional securing, coupling, supporting or disposing manner and the displacement sensing part 180 is positioned in the housing member 140 in a mounting, seating, contacting, securing, provisional securing, coupling, supporting or disposing manner, the embodiment does not need additional space for mounting at least one of the sensing magnet 182A or the displacement sensing part 180, thereby improving space efficiency of the camera module (particularly, the bobbin).

3rd Embodiment

FIG. 19 is a schematic perspective view of a lens driving device 3000 according to a 3rd embodiment, FIG. 20 is a schematic exploded perspective view of the lens driving device 3000 depicted in FIG. 19, FIG. 21 is a schematic perspective view of the lens driving device 3000 in FIG. 19, from which the cover member (or the cover can) 102 is removed, FIG. 22 is a schematic plan view of FIG. 21, FIG. 23 is a schematic perspective view of the driving magnet 130, the housing member (or the housing) 140 and the displacement sensing part 180 according to still another embodiment, FIG. 24 is a schematic perspective view of the driving magnet 130, the housing member 140 and the first circuit board 170B when viewed from a different angle from FIG. 23, FIG. 25 is a schematic bottom perspective view of the driving magnet 130, the housing member 140 and the first circuit board 170B according to still another embodi-

ment, FIG. 26 is a schematic exploded perspective view of the driving magnet 130, the housing member 140, the first circuit board 170B and the displacement sensing part 180 according to still another embodiment, FIG. 27 is a schematic plan view of the upper elastic member 150B according to another embodiment, and FIG. 28 is a schematic plan view of the lower elastic member 160B according to another embodiment.

Similar to the lens driving device 2000 according to the 2nd embodiment, the lens driving device 3000 according to the 3rd embodiment is a device that performs an auto-focusing function.

As illustrated in FIGS. 19 to 22, the lens driving device 3000 according to the 3rd embodiment may include a cover member 102, a bobbin 110B, a first coil 120, a driving magnet 130, a housing member 140, an upper elastic member 150B, a lower elastic member 160B, a first circuit board (or a printed circuit board) 170B, a sensing unit for detecting the amount of displacement of the bobbin 110B in the optical axis direction (that is, the first direction), and a base 190. Further, the sensing unit may include a displacement sensing part (or a position sensor) 180 and a sensing magnet 182B. Here, since the cover member 102, the bobbin 110B, the first coil 120, the driving magnet 130, the housing member 140, the upper elastic member 150B, the lower elastic member 160B, the first circuit board 170B, the displacement sensing part 180, the sensing magnet 182B and the base 190 respectively correspond to and perform the same functions as the cover can 102, the bobbin 110A, the first coil 120, the driving magnet 130, the housing member 140, the upper elastic member 150A, the lower elastic member 160A, the first circuit board 170A, the displacement sensing part 180, the sensing magnet 182B and the base 190 of the lens driving device 2000 according to the 2nd embodiment, the same components are denoted by the same reference numerals, duplicated descriptions will be omitted, and only the differences will be explained.

As can be seen by comparing FIG. 13 and FIG. 27, the upper elastic member 150B is the same as the upper elastic member 150A except for the difference in the number of the second through holes 151a formed in the inner frame 151.

Further, in the case of the lower elastic member 160A depicted in FIG. 14, the inner frames 161 of the first and second lower elastic members 160a and 160b, which are electrically divided into two parts, may be connected to each other by a member 165 having electrical insulation properties. Alternatively, the member 165 may be omitted in order to spatially separate the first and second lower elastic members 160a and 160b from each other. Therefore, when the first and second lower elastic members 160a and 160b are formed of a conductive material, the first and second lower elastic members 160a and 160b may be electrically separated from each other. Meanwhile, in the case of the lower elastic member 160B depicted in FIG. 28, the inner frames 161 of the first and second lower elastic members 160a and 160b, which are electrically divided into two parts, are separated from each other. Except for this, the lower elastic member 160B is the same as the lower elastic member 160A.

Further, as can be seen by comparing FIG. 9 and FIG. 21, the first circuit board 170B is the same as the first circuit board 170A except for the difference in the position and connection configuration of the pins 172, but the embodiment is not limited to this particular position and connection configuration of the pins 172. That is, unlike FIGS. 9 and 21, the position and connection configuration of the pins 172 may vary.

Further, while the sensing magnet **182A** depicted in FIG. **17** has a two-divided structure that is divided up and down, the sensing magnet **182B** depicted in FIG. **20** has a unitary structure. Except for this, the sensing magnet **182B** is the same as the sensing magnet **182A**.

FIG. **29** is a schematic perspective view of the bobbin **110B** according to still another embodiment, FIG. **30** is a schematic bottom perspective view of the bobbin **110B** and the sensing magnet **182B** according to still another embodiment, FIG. **31** is a schematic exploded perspective view of the bobbin **110B**, the first coil **120** and the sensing magnet **182B** according to still another embodiment, FIG. **32** is a partially enlarged perspective view of the state in which the bobbin **110B** and the sensing magnet **182B** are coupled, FIG. **33** is a partially enlarged bottom view of the state in which the bobbin **110B** and the sensing magnet **182B** are coupled, FIG. **34** is a partially enlarged perspective view for explaining the accommodation recess **117** in the bobbin **110B** according to the embodiment, and FIG. **35** is a schematic longitudinal sectional view of the bobbin **110B**, the first coil **120** and the sensing magnet **182B** according to still another embodiment.

As can be seen by comparing FIGS. **15** and **16** and FIGS. **29** and **30**, the bobbin **110B** is the same as the bobbin **110A** except for the difference in the shape of a portion of the upper structure. Further, the above explanation of the configuration in which the lens barrel (not illustrated) is coupled to the bobbin **110A** may also be applied to the configuration in which the lens barrel (not illustrated) is coupled to the bobbin **110B**.

Further, FIGS. **31** to **35** show the accommodation recess **117**, which is illustrated in FIGS. **15** to **18**, in more detail.

Hereinafter, the accommodation recess **117** will be explained in more detail with reference to FIGS. **31** to **35**. Since the above explanation of the accommodation recess **117** and the adhesion recess **117b**, which are illustrated in FIGS. **15** to **18**, can be applied to FIGS. **31** to **35**, duplicated explanations will be omitted. Although the bobbin **110B** will now be explained with reference to FIGS. **31** to **35**, the following explanation of FIGS. **31** and **35** may, of course, be applied to the bobbin **110A**.

The accommodation recess **117** may include an opening **119**, which is formed in one of the bottom surface and the top surface of the bobbin **110B** and communicates with the accommodation recess **117**. For example, as illustrated in FIG. **35**, a portion of the bottom surface of the bobbin **110B** is open to form the opening **119**, and the opening **119** may define an entrance of the accommodation recess **117**. The sensing magnet **182B** may be inserted into, disposed in, or secured to the accommodation recess through the opening **119**, and may be removed from the accommodation recess through the opening **119**.

The adhesion recess **117b** may preferably extend from the opening **119** to the inner surface of the bobbin **110B**, on which one surface of the sensing magnet **182B** is positioned in a contacting, seating or disposing manner.

As illustrated in FIG. **35**, the accommodation recess **117** may further include a first additional recess **117c**. The first additional recess **117c** is formed to be concave and deeper than the inner surface of the bobbin **110B**, on which one surface of the sensing magnet **182B** is positioned in a contacting, seating or disposing manner, and is a portion that extends from the adhesion recess **117b**. The overall length of the adhesion recess **117b** and the first additional recess **117c** is longer than the length of the sensing magnet **182B** in the vertical thickness direction of the bobbin **110B** (for example, the z-axis direction). Due to the first additional recess **117c**,

when an adhesive is injected into the adhesion recess **117b** through the opening **119**, the adhesive sequentially fills the first additional recess **117c** and the adhesion recess **117b**. Therefore, the adhesive is prevented from overflowing out of the adhesion recess **117b** and flowing to the first coil **120** along a gap between the sensing magnet **182B** and the accommodation recess **117**. As a result, a defective proportion of the lens driving devices **2000** and **3000** in the process of coupling the sensing magnet **182B** may be decreased.

Also, the accommodation recess **117** may further include a second additional recess **117a**. The second additional recess **117a** may be formed to a predetermined depth in the inward direction toward the center of the bobbin **110B** from the opening **119**, and may extend from the adhesion recess **117b**. That is, the second additional recess **117a** may be a portion that is formed near the opening **119** to be deeper than the inner surface in the inward direction toward the center of the bobbin **110B**. The second additional recess **117a** communicates with the adhesion recess **117b**. That is, as described above, the second additional recess **117a** is an extending portion of the adhesion recess **117b**. As such, due to the provision of the second additional recess **117a**, an adhesive is injected into the adhesion recess **117b** via the second additional recess **117a**, and consequently, the adhesive is prevented from overflowing near the opening **119** and adhering to other components, such as the first coil **120**, of the bobbin **110B**. As a result, a defective proportion of the lens driving devices **2000** and **3000** in the process of coupling the sensing magnet **182B** may be decreased.

Further, in a modified embodiment, only the second additional recess **117a**, without the adhesion recess **117b**, may be formed in the bobbin **110B**. In this case, the bobbin **110B** and the sensing magnet **182B** may be coupled and secured to each other by injecting an adhesive into the second additional recess **117a**.

Alternatively, at least one of the first additional recess **117c** or the second additional recess **117a** may be disposed to extend from the adhesion recess **117b**. That is, only the first additional recess **117c** may be formed to extend from the adhesion recess **117b**, or only the second additional recess **117a** may be formed to extend from the adhesion recess **117b**. As such, the accommodation recess **117** of the bobbin **110B** may include at least one of the adhesion recess **117b**, the first additional recess **117c**, or the second additional recess **117a**.

In an additional embodiment, although not illustrated, the bobbin **110B** may further include an additional accommodation recess **117**, which is formed in the outer peripheral surface of the bobbin **110B** at a position symmetrical to the accommodation recess **117** about the center of the bobbin **110B**, that is, a position opposite the position on the outer peripheral surface at which the accommodation recess **117** is formed, and a weight-balancing member, which is accommodated in the additional accommodation recess **117**.

That is, the additional accommodation recess **117** may be formed to a predetermined depth in the inward direction of the bobbin **110B** at a position, at which the additional accommodation recess **117** and the accommodation recess **117** are arranged in a straight line in a symmetrical manner about the center of the bobbin **110B**, on the outer peripheral surface that is opposite the position on the outer peripheral surface at which the accommodation recess **117** is formed. The weight-balancing member may be secured and coupled to the inside of the additional accommodation recess **117**, and may have the same weight as the magnetic force sensing member (for example, the sensing magnet **182B**). Due to the additional accommodation recess **117** and the weight-bal-

ancing member, weight imbalance in the horizontal direction of the bobbin 110B attributable to the accommodation recess 117 and the sensing magnet 182B may be compensated for.

Also, the additional accommodation recess 117 may include at least one of an adhesion recess 117b, a first additional recess 117c, or a second additional recess 117a.

The above-described lens driving device 2000 or 3000 according to the 2nd or 3rd embodiment is capable of generating feedback on the amount of displacement in the optical axis direction of the lens and of readjusting the position of the lens in the optical axis direction, thereby shortening the time taken for focal alignment of the lens.

Further, the above-described lens driving device 2000 or 3000 according to the 2nd or 3rd embodiment is capable of minimizing the distance between the sensing magnet 182A or 182B, which is assembled with the bobbin 110A or 110B, which is a movable body, in a mounting, inserting, seating, contacting, coupling, securing, provisional securing, supporting or disposing manner and the displacement sensing part 180, which is provided in the housing member 140, which is a fixed body, and consequently of more accurately detecting the amount of displacement in the optical axis direction of the lens, thereby more accurately positioning the lens at the focal distance of the lens.

Further, since the sensing magnet 182A or 182B is positioned in the bobbin 110A or 110B in a mounting, inserting, seating, contacting, coupling, securing, provisional securing, supporting or disposing manner and the displacement sensing part 180 is provided in the housing member 140, the lens driving device 2000 or 3000 according to the 2nd or 3rd embodiment does not need additional space for mounting the sensing unit, thereby improving space efficiency of the camera module (particularly, the bobbin).

Furthermore, the camera module may be constituted such that the lens is coupled to the lens driving device 2000 or 3000 according to the 2nd or 3rd embodiment and the image sensor and the second circuit board (or the printed circuit board), on which the image sensor is disposed, are further disposed at the bottom portion of the lens driving device, and the base 190 of the lens driving device 2000 or 3000 and the second circuit board, on which the image sensor is disposed, may be coupled to each other.

4th Embodiment

Hereinafter, the constitution and operation of lens driving devices 200A to 200F according to a 4th embodiment will be explained with reference to the attached drawings.

FIG. 36 shows a schematic sectional view of a lens driving device 200A according to a 4-1st embodiment.

The lens driving device 200A depicted in FIG. 36 may include a fixed unit 210, a movable unit 220, lower and upper springs 230 and 240, a bipolar-magnetized magnet (or a 2-pole-magnetized magnet) 250, and a position sensor 260 (or a position detection sensor or a driver including a position detection sensor).

The fixed unit 210 may include a lower portion 212, a side portion 214, and an upper portion 216. When the movable unit 220 of the lens driving device 200A is moved in one direction on the optical axis, the movable unit 220, which is initially in a stationary state, may be supported by the lower portion 212 of the fixed unit 210, or may be supported at a position spaced a predetermined distance apart from the lower portion 212 of the fixed unit 210 by the upper and/or lower springs 240 and 230.

The side portion 214 of the fixed unit 210 may function to support the lower spring 230 and the upper spring 240, or alternatively, the lower portion 212 and/or the upper portion 216 of the fixed unit 210 may support the lower spring 230

and/or the upper spring 240. For example, the fixed unit 210 may correspond to the housing member 40 or 140, which supports the driving magnet 41 or 130, to the yoke, to the cover can 60 or 102, or to the base 20 or 190 in the above-described 1st, 2nd or 3rd lens driving device 1000-1, 2000 or 3000.

At least one lens (not illustrated) may be mounted to the movable unit 220. For example, the movable unit 220 may correspond to the bobbin 30, 110A or 110B in the above-described 1st, 2nd or 3rd lens driving device 1000-1, 2000 or 3000, but the embodiment is not limited thereto.

Although not illustrated, the lens driving device 200A may further include a first coil and a driving magnet. The first coil and the driving magnet, which are included in the lens driving device 200A, are arranged to face each other, and interact with each other so as to move the movable unit 220 in the z-axis direction, which is the optical axis direction of the lens.

For example, the first coil and the driving magnet may respectively correspond to the first coil 31 or 120 and the driving magnet 41 or 130 in the above-described 1st, 2nd or 3rd lens driving device 1000-1, 2000 or 3000, but the embodiment is not limited thereto.

Although it is illustrated in FIG. 36 that the movable unit 220 is capable of moving in one direction of the optical axis (that is, the +z-axis direction), the movable unit 220 according to another embodiment may move in both directions of the optical axis (that is, the +z-axis direction or the -z-axis direction), which will be described later.

On the other hand, the position sensor 260 may detect a first displacement value of the movable unit 220 in the z-axis direction, which is the optical axis direction. The position sensor 260 may sense the magnetic field of the bipolar-magnetized magnet 250, and may output voltage having a level that is proportional to the intensity of the sensed magnetic field.

In order to allow the position sensor 260 to detect the magnetic field, the intensity of which changes linearly, the bipolar-magnetized magnet 250 may be arranged to face the position sensor 260 in the y-axis direction, which is the magnetization direction perpendicular to the optical axis direction.

For example, the position sensor 260 may correspond to the displacement sensing part 82 or 180 in the above-described 1st, 2nd or 3rd lens driving device 1000-1, 2000 or 3000, and the bipolar-magnetized magnet 250 may correspond to the sensing magnet 70, 182A or 182B in the above-described 1st, 2nd or 3rd lens driving device 1000-1, 2000 or 3000, but the embodiment is not limited thereto. The bipolar-magnetized magnet 250 may be generally classified into ferrite, alnico, and rare earth magnets, and may also be classified into a P-type and an F-type according to a magnetic circuit configuration. However, the embodiment is not limited to this classification of the bipolar-magnetized magnet 250.

According to the embodiment, the bipolar-magnetized magnet 250 may include side surfaces that face the position sensor 260. Here, the side surfaces may include a first side surface 252 and a second side surface 254. The first side surface 252 may be a surface having a first polarity, and the second side surface 254 may be a surface having a second polarity, which is opposite the first polarity. The second side surface 254 may be arranged to be spaced apart from or in contact with the first side surface 252 in the z-axis direction, which is parallel to the optical axis direction. At this time, a first length L1 of the first side surface 252 in the optical axis direction may be equal to or longer than a second length L2

of the second side surface **254** in the optical axis direction. Further, in the bipolar-magnetized magnet **250**, a first magnetic flux density of the first side surface **252** having the first polarity may be larger than a second magnetic flux density of the second side surface **254** having the second polarity.

The first polarity may be an S-pole and the second polarity may be an N-Pole, or, conversely, the first polarity may be an N-pole and the second polarity may be an S-pole.

FIGS. **37a** and **37b** respectively show sectional views of embodiments **250A** and **250B** of the bipolar-magnetized magnet **250** depicted in FIG. **36**.

Referring to FIG. **37a**, the bipolar-magnetized magnet **250A** may include first and second sensing magnets **250A-1** and **250A-2**, and may further include a non-magnetic partition wall **250A-3**. Referring to FIG. **37b**, the bipolar-magnetized magnet **250B** may include first and second sensing magnets **250B-1** and **250B-2**, and may further include a non-magnetic partition wall **250B-3**.

The first and second sensing magnets **250A-1** and **250A-2** illustrated in FIG. **37a** may be arranged to be spaced apart from or in contact with each other, and the first and second sensing magnets **250B-1** and **250B-2** illustrated in FIG. **37b** may be arranged to be spaced apart from or in contact with each other.

According to one embodiment, as illustrated in FIG. **37a**, the first and second sensing magnets **250A-1** and **250A-2** may be arranged to be spaced apart from or in contact with each other in the direction parallel to the optical axis direction (that is, the z-axis direction).

Alternatively, according to another embodiment, as illustrated in FIG. **37b**, the first and second sensing magnets **250B-1** and **250B-2** may be arranged to be spaced apart from or in contact with each other in the magnetization direction (that is, the y-axis direction).

The bipolar-magnetized magnet **250** in FIG. **36** is illustrated as being a magnet having the structure depicted in FIG. **37a**, but may be replaced by a magnet having the structure depicted in FIG. **37b**.

The non-magnetic partition wall **250A-3** illustrated in FIG. **37a** may be disposed between the first and second sensing magnets **250A-1** and **250A-2**, and the non-magnetic partition wall **250B-3** illustrated in FIG. **37b** may be disposed between the first and second sensing magnets **250B-1** and **250B-2**. The non-magnetic partition wall **250A-3** or **250B-3** may be an element that does not actually have magnetic properties, and may include a section having no polarity, which may contain air or a non-magnetic material.

Further, a third length **L3** of the non-magnetic partition wall **250A-3** or **250B-3** may be five percent or more or fifty percent or less of the overall length **LT** of the bipolar-magnetized magnet **250A** or **250B** in the direction parallel to the optical axis direction.

FIG. **38** is a graph for explaining the operation of the lens driving device **200A** depicted in FIG. **36**, in which the horizontal axis may represent the distance that the movable unit **220** moves in the optical axis direction or in the z-axis direction, which is a direction parallel to the optical axis direction, and the vertical axis may represent the magnetic field that is sensed by the position sensor **260** or the output voltage that is output from the position sensor **260**. The position sensor **260** may output a voltage having a level that is proportional to the intensity of the magnetic field.

As illustrated in FIG. **36**, in the initial state, before the lens is moved in the optical axis direction, that is, in the state in which the movable unit **220** equipped with the lens is stationary, rather than moving, the height ($z=z_h$) at which the middle of the position sensor **260** is positioned may be

located in an imaginary horizontal plane **HS1**, which extends from the top **251** of the first side surface **252** in the y-axis direction, which is the magnetization direction, or may be located at a position higher than the imaginary horizontal plane **HS1**. In this case, referring to FIG. **38**, the intensity of the magnetic field, which may be sensed by the position sensor **260**, may be very close to '0' but a value **B0** which is not '0'. In this initial state, the movable unit **220**, which is equipped with a lens and is movable in one direction, that is, only in the +z-axis direction, is located at a lower limit position.

FIG. **39** shows the state in which the lens driving device **200A** depicted in FIG. **36** is moved in the optical axis direction.

FIG. **40** is a graph showing the displacement of the movable unit **220** depending on electric current supplied to the first coil in the lens driving device according to the 4th embodiment, in which a horizontal axis represents the current supplied to the first coil, and a vertical axis represents the displacement.

Referring to the above-described drawings, if the intensity of the current supplied to the first coil is increased, as illustrated in FIG. **39**, the movable unit **220** may be lifted to a predetermined distance ($z=z_1$) in the +z-axis direction. In this case, referring to FIG. **38**, the intensity of the magnetic field, which is sensed by the position sensor **260**, may be a value **B1**.

Subsequently, if the intensity of the current supplied to the first coil is decreased or the supply of current to the first coil is interrupted, as illustrated in FIG. **36**, the movable unit **220** may drop to its initial position. In order for the movable unit **220** to be lifted from the position shown in FIG. **36** to the position shown in FIG. **39**, the electric force of the movable unit **220** should be greater than the spring force (mechanical force) of the lower and upper springs **230** and **240**.

Also, in order for the movable unit **220** to return from the upper limit position shown in FIG. **39** to the initial position shown in FIG. **36**, the electric force should be equal to or less than the spring force of the lower and upper springs **230** and **240**. That is, after the movable unit **220** has been lifted in the +z-axis direction, the movable unit **220** may return to the original position due to the restoring force of the lower and upper springs **230** and **240**.

Here, the lower spring **230** may include first and second lower springs **232** and **234**, and the upper spring **240** may include first and second upper springs **242** and **244**. Here, although it is illustrated that the lower spring **230** is separately divided into two parts, namely the first and second lower springs **232** and **234**, the embodiment is not limited thereto. That is, the first and second lower springs **232** and **234** may be integrally formed. Similarly, although the upper spring **240** is illustrated as being separately divided into two parts, namely the first and second upper springs **242** and **244**, the embodiment is not limited thereto. That is, the first and second upper springs **242** and **244** may be integrally formed.

For example, the lower spring **230** may correspond to the lower elastic member **52**, **160A** or **160B** in the above-described 1st, 2nd or 3rd lens driving device **1000-1**, **2000** or **3000**, and the upper spring **240** may correspond to the upper elastic member **51**, **150A** or **150B** in the above-described 1st, 2nd or 3rd lens driving device **1000-1**, **2000** or **3000**, but the embodiment is not limited thereto.

As illustrated in FIGS. **36** and **39**, when the height ($z=z_h$) at which the middle of the position sensor **260** is positioned is biased toward any one of the first and second side surfaces **252** and **254**, the magnetic field, which is sensed by the position sensor **260**, has only one of the first and second

polarities. Therefore, when the intensity of the magnetic field having the first or second polarity is changed linearly, the position sensor 260 is capable of sensing the magnetic field having the first or second polarity, which is changed linearly. It can be known from FIG. 38 that, while the first movable unit 220 is moved from the lower limit position shown in FIG. 36 to the upper limit position shown in FIG. 39, the intensity of the magnetic field, which is sensed by the position sensor 260, is changed linearly.

It can be known from FIGS. 38 and 40 that the maximum displacement D1 that the movable unit 220 in the lens driving device 200A illustrated in FIG. 36 is able to move is a value Z1.

FIG. 41 shows a sectional view of a lens driving device 200B according to a 4-2nd embodiment.

Different from the lens driving device 200A illustrated in FIG. 36, the lens driving device 200B illustrated in FIG. 41 may be configured such that, in the initial state before the lens is moved in the optical axis direction, the height ($z=zh$) at which the middle of the position sensor 260 is positioned is aligned with a first point on the first side surface 252 in the y-axis direction, which is the magnetization direction. Here, the first point may be a certain point located between the top 251 and the bottom of the first side surface 252, for example, the height at which the middle of the first side surface 252 is positioned.

In the state before the movable unit 220 is moved, the bipolar-magnetized magnet 250 of the lens driving device 200B illustrated in FIG. 41 may be located at a higher position than the bipolar-magnetized magnet 250 of the lens driving device 200A illustrated in FIG. 36 by a distance ($z2-zh$). In this case, referring to FIG. 38, the minimum value of the magnetic field having the first polarity, which is sensed by the position sensor 260, may be a value B2, which is larger than B0.

When current is applied to the first coil in the lens driving device 200B illustrated in FIG. 41, the movable unit 220 is capable of being lifted to the upper limit height ($z1$), like the lens driving device 200A illustrated in FIG. 39. At this time, the upper limit lifting height of the movable unit 220 may be changed by adjusting the elastic modulus of the lower spring 230 and the upper spring 240.

In the case of the lens driving device 200B illustrated in FIG. 41, as well as the lens driving device 200A illustrated in FIGS. 36 and 39, it can be known that the intensity of the magnetic field sensed by the position sensor 260 is changed linearly between B2 and B1.

It can be known from FIG. 40 that the maximum displacement D1 that the movable unit 220 of the lens driving device 200B illustrated in FIG. 41 is able to move is $z1-z2$.

FIG. 42 shows a sectional view of a lens driving device 200C according to a 4-3rd embodiment.

In the case of the lens driving device 200A or 200B illustrated in FIG. 36, 39 or 41, the first side surface 252 is positioned above the second side surface 254. Conversely, in the lens driving device 200C illustrated in FIG. 42, the second side surface 254 may be positioned above the first side surface 252. Since the lens driving device 200C illustrated in FIG. 42 is the same as the lens driving device 200A or 200B illustrated in FIG. 36 or 41 except for the arrangement of the side surfaces of the bipolar-magnetized magnet 250, in which the longer second side surface 252 is positioned below the shorter first side surface 254, the same components are denoted by the same reference numerals, and duplicated descriptions will be omitted.

FIGS. 43a and 43b respectively show sectional views of embodiments 250C and 250D of the bipolar-magnetized magnet 250 depicted in FIG. 42.

Referring to FIG. 43a, the bipolar-magnetized magnet 250C may include first and second sensing magnets 250C-1 and 250C-2, and may further include a non-magnetic partition wall 250C-3. Referring to FIG. 43b, the bipolar-magnetized magnet 250D may include first and second sensing magnets 250D-1 and 250D-2, and may further include a non-magnetic partition wall 250D-3.

The first and second sensing magnets 250C-1 and 250C-2 illustrated in FIG. 43a may be arranged to be spaced apart from or in contact with each other, and the first and second sensing magnets 250D-1 and 250D-2 illustrated in FIG. 43b may be arranged to be spaced apart from or in contact with each other.

According to one embodiment, as illustrated in FIG. 43a, the first and second sensing magnets 250C-1 and 250C-2 may be arranged to be spaced apart from or in contact with each other in the direction parallel to the optical axis direction (that is, the z-axis direction).

Alternatively, according to another embodiment, as illustrated in FIG. 43b, the first and second sensing magnets 250D-1 and 250D-2 may be arranged to be spaced apart from or in contact with each other in the magnetization direction (that is, the y-axis direction).

The bipolar-magnetized magnet 250 in FIG. 42 is illustrated as being a magnet having the structure depicted in FIG. 43a, but may be replaced by a magnet having the structure depicted in FIG. 43b.

The non-magnetic partition wall 250C-3, as illustrated in FIG. 43a, may be disposed between the first and second sensing magnets 250C-1 and 250C-2, and the non-magnetic partition wall 250D-3, as illustrated in FIG. 43b, may be disposed between the first and second sensing magnets 250D-1 and 250D-2. The non-magnetic partition wall 250C-3 or 250D-3 may be an element that does not actually have magnetic properties, and may include a section having no polarity, which may contain air or a non-magnetic material.

Further, a third length L3 of the non-magnetic partition wall 250C-3 or 250D-3 may be five percent or more or fifty percent or less of the overall length LT of the bipolar-magnetized magnet 250C or 250D in the direction parallel to the optical axis direction.

Referring to FIGS. 38 and 42, in the initial state before the lens is moved in the optical axis direction, the height ($z=zh$) at which the middle of the position sensor 260 is positioned may face or may be aligned with the non-magnetic partition wall 250C-3 (or the space between the first side surface 252 and the second side surface 254) in the y-axis direction, which is the magnetization direction. This may mean that the top 253 of the first side surface 252 is located on an imaginary horizontal plane HS2, which extends from the height ($z=zh$) at which the middle of the position sensor 260 is positioned in the y-axis direction, which is the magnetization direction. Alternatively, the height ($z=zh$) at which the middle of the position sensor 260 is positioned may be aligned with a position between the top 253 and the second side surface 254.

As such, in the state in which the movable unit 220 is stationary without moving, when the bipolar-magnetized magnet 250 and the position sensor 260 are arranged as illustrated in FIG. 42, the intensity of the magnetic field having the first polarity, which is sensed by the position sensor 260, may be '0'.

As illustrated in FIG. 37a or 43a, the first side surface 252 may correspond to the side surface of the first sensing magnet 250A-1 or 250C-1 that faces the position sensor 260. Also, as illustrated in FIG. 37a or 43a, the second side surface 254 may correspond to the side surface of the second sensing magnet 250A-2 or 250C-2 that faces the position sensor 260.

Alternatively, as illustrated in FIG. 37b or 43b, the first and second side surfaces 252 and 254 may correspond to the side surface of the first sensing magnet 250B-1 or 250D-1 that faces the position sensor 260.

FIG. 44 shows a sectional view of a lens driving device 200D according to a 4-4th embodiment.

Referring to FIG. 44, in the initial state before the lens is moved in the optical axis direction, the height ($z=zh$) at which the middle of the position sensor 260 is positioned is aligned with a first point on the first side surface 252 in the y-axis direction, which is the magnetization direction. Here, the first point may be a certain point located between the top and the bottom of the first side surface 252, for example, the height at which the middle of the first side surface 252 is positioned.

In the state before the movable unit 220 is moved, the bipolar-magnetized magnet 250 of the lens driving device 200D illustrated in FIG. 44 may be located at a position that is a distance ($z2-zh$) higher than that of the bipolar-magnetized magnet 250 of the lens driving device 200C illustrated in FIG. 42. In this case, referring to FIG. 38, the minimum intensity of the magnetic field having the first polarity, which is sensed by the position sensor 260, may be a value B2.

When current is applied to the first coil in the lens driving device 200D illustrated in FIG. 44, the movable unit 220 is capable of being lifted to the upper limit height ($z1$), like the lens driving device 200A. At this time, the upper limit lifting height of the movable unit 220 may be adjusted using a mechanical stopper. Alternatively, the upper limit lifting height of the movable unit 220 may be changed by adjusting the elastic modulus of the lower spring 230 and the upper spring 240.

In the case of the lens driving device 200D illustrated in FIG. 44, as well as the lens driving device 200A illustrated in FIGS. 36 and 39, it can be known that the intensity of the magnetic field having the first polarity sensed by the position sensor 260 is changed linearly between B2 and B1.

It can be known from FIG. 40 that the maximum displacement D1 that the movable unit 220 of the lens driving device 200D illustrated in FIG. 44 is able to move is $z1-z2$.

In the above-described lens driving device 200A, 200B, 200C or 200D illustrated in FIGS. 36, 39, 41, 42 and 44, the movable unit 220 may move only in one direction of the optical axis, that is, in the +z-axis direction, from its initial position. However, the embodiment is not limited thereto. That is, according to another embodiment, when current is applied to the first coil, the lens driving device may move in both directions of the optical axis, that is, in the +z-axis direction or in the -z-axis direction, from its initial position. The constitution and operation of the lens driving device according to this embodiment will be described later.

FIG. 45 shows a sectional view of a lens driving device 200E according to a 4-5th embodiment.

Unlike the above-described lens driving device 200A or 200B, the lens driving device 200E illustrated in FIG. 45 may move in the +z-axis direction or in the -z-axis direction from its initial position. Therefore, the embodiment has a configuration such that the movable unit 220 is in a state of floating in space due to the lower and upper springs 230 and 240. Except for this, the constitutional components of the

lens driving device 200E illustrated in FIG. 45 are the same as those of the above-described lens driving device 200A or 200B, and therefore, duplicated explanations thereof will be omitted.

Referring to FIG. 45, in the initial state before the lens is moved in the optical axis direction, that is, in which the movable unit 220 is stationary without moving, the height ($z=zh$) at which the middle of the position sensor 260 is positioned may be aligned with a first point on the first side surface 252 in the magnetization direction. Here, the first point may be a certain point located between the top and the bottom of the first side surface 252, for example, the height at which the middle of the first side surface 252 is positioned.

FIG. 46 shows a sectional view of a lens driving device 200F according to a 4-6th embodiment.

Unlike the above-described lens driving device 200C or 200D illustrated in FIG. 42 or 44, the lens driving device 200F illustrated in FIG. 46 may move in the +z-axis direction or in the -z-axis direction. Therefore, the embodiment has a configuration such that the movable unit 220 is in a state of floating in space due to the lower and upper springs 230 and 240. Except for this, the constitutional components of the lens driving device 200F illustrated in FIG. 46 are the same as those of the above-described lens driving device 200C or 200D, and therefore, duplicated explanations thereof will be omitted.

Referring to FIG. 46, in the initial state before the lens is moved in the optical axis direction, the height ($z=zh$) at which the middle of the position sensor 260 is positioned may be aligned with a first point on the first side surface 252 in the magnetization direction. Here, the first point may be a certain point located between the top and the bottom of the first side surface 252, for example, the height at which the middle of the first side surface 252 is positioned.

In the lens driving device 200E or 200F illustrated in FIG. 45 or 46, upward and downward movement of the movable unit 220 may be the same as that illustrated in FIG. 38. Therefore, the operation of the lens driving device 200E or 200F illustrated in FIG. 45 or 46 will now be described with reference to FIG. 38.

In the lens driving device 200E or 200F, in the initial state before the lens is moved in the optical axis direction, that is, in which the movable unit 220 is stationary without moving up or down or is at its initial position, when the position sensor 260 and the bipolar-magnetized magnet 250 are arranged as illustrated in FIG. 45 or 46, the magnetic field having the first polarity, which is sensed by the position sensor 260, may be B3. When the movable unit 220 is stationary without moving up or down or is at the initial position, the initial value of the magnetic field sensed by the position sensor 260 may be changed or adjusted depending on the design specifications of the position sensor 260 and the bipolar-magnetized magnet 250, such as, for example, the distance between these components 260 and 250.

FIG. 47 is a graph showing the displacement of the movable unit 220 depending on electric current supplied to the first coil in the lens driving devices 200E and 200F depicted in FIGS. 45 and 46, in which the horizontal axis represents current supplied to the first coil, and the vertical axis represents the displacement. Further, the right side of the horizontal axis from the vertical axis may represent forward current, current in the forward direction, or +current, and the left side of the horizontal axis from the vertical axis may represent reverse current, current in the reverse direction, or -current.

When the movable unit **220** is stationary without moving or is at its initial position, as illustrated in FIG. **45** or **46**, if the intensity of the forward current applied to the first coil is increased, the movable unit **220** may be lifted a predetermined distance ($z=z4$) in the +z-axis direction. In this case, referring to FIG. **38**, the intensity of the magnetic field, which is sensed by the position sensor **260**, may be increased from **B3** to **B4**.

Further, when the movable unit **220** is stationary without moving or is at its initial position, as illustrated in FIG. **45** or **46**, if the intensity of the reverse current applied to the first coil is increased, or if the intensity of the forward current supplied to the first coil is decreased after the movable unit **220** is moved in the +z-axis direction, the movable unit **220** may drop. In this case, referring to FIG. **38**, the intensity of the magnetic field, which is sensed by the position sensor **260**, may be decreased from **B3** to **B5** or from **B4** to **B3**.

As described above, in the lens driving device **200E** or **200F** illustrated in FIG. **45** or **46**, it can be known that the intensity of the magnetic field having the first polarity, which is sensed by the position sensor **260**, is changed linearly between **B5** and **B4**.

Referring to FIG. **47**, in the configuration in which the movable unit **200** is movable in both directions, as described above, an upward-displacement range **D3** and a downward-displacement range **D2** of the movable unit **220** may be the same, or the upward-displacement range **D3** may be larger than the downward-displacement range **D2**.

If the upward-displacement range **D3** is the same as the downward-displacement range **D2**, in the initial state before the lens is moved in the optical axis direction, the height ($z=z_h$) at which the middle of the position sensor **260** is positioned may be aligned with the above-described first point in the y-axis direction, which is the magnetization direction. However, if the upward-displacement range **D3** is larger than the downward-displacement range **D2**, when the lens is in an initial state before being moved in the optical axis direction or is at its initial position, the height ($z=z_h$) at which the middle of the position sensor **260** is positioned may be aligned with a second point, which is higher than the above-described first point, in the y-axis direction, which is the magnetization direction. That is, the height at which the position sensor **260** is positioned relative to the bipolar-magnetized magnet **250** when the upward-displacement range **D3** is larger than the downward-displacement range **D2** may be relatively higher than that when the upward-displacement range **D3** is the same as the downward-displacement range **D2**.

In this case, the difference between the second point and the first point may be calculated using the following Equation 1.

$$\Delta h = H2 - H1 = \frac{\Delta D}{2} \pm \frac{D}{2} \quad \text{Equation 1}$$

Here, **H2** may be a height of the second point, **H1** may be a height of the first point, ΔD may be a value calculated by subtracting the downward-displacement range **D2** from the upward-displacement range **D3** of the movable unit **220**, and **D** may be the displacement range (**D2+D3**) of the movable unit **220**.

FIG. **48** is a graph showing the intensity of the magnetic field (or the output voltage), which is sensed by the position sensor **260**, depending on the moving distance of the mov-

able unit **220** in the optical axis direction, according to the respective arrangement relationships between the position sensor **260** and the bipolar-magnetized magnets **250-1** and **250-2** in which a vertical axis represents the intensity of the magnetic field (or the output voltage) and a horizontal axis represents the moving distance of the movable unit **220** in the optical axis direction.

In the graph illustrated in FIG. **48**, the structure of the bipolar-magnetized magnet **250**, which faces the position sensor **260**, corresponds to the first and second sensing magnets **250A-1** and **250A-2** illustrated in FIG. **37a**. However, instead of the first and second sensing magnets **250A-1** and **250A-2** illustrated in FIG. **37a**, when the first and second sensing magnets **250B-1** and **250B-2** illustrated in FIG. **37b**, the first and second sensing magnets **250C-1** and **250C-2** illustrated in FIG. **43a**, or the first and second sensing magnets **250D-1** and **250D-2** illustrated in FIG. **43b** are arranged to face the position sensor **260**, the following explanation with respect to FIG. **48** may also, of course, be applied to this configuration.

Referring to FIG. **48**, as described above, the magnetic field, which is sensed by the position sensor **260** and has an intensity that is changed linearly, may be a magnetic field **272** having a first polarity, for example, an S-pole. However, the embodiment is not limited thereto. That is, according to another embodiment, the magnetic field, which is sensed by the position sensor **260** and has an intensity that is changed linearly, may be a magnetic field **274** having a second polarity, for example, an N-pole.

If the magnetic field, which is sensed by the position sensor **260** and has an intensity that is changed linearly, is not the magnetic field having the first polarity but the magnetic field **274** having the second polarity, that is, the N-pole, as illustrated in FIG. **48**, when the lens is in an initial state before being moved in z-axis direction, which is the optical axis direction, or is at the initial position, the height ($z=z_h$) at which the middle of the position sensor **260** is positioned may be aligned with a first point on the second side surface **254**. Here, the first point may be a certain point located between the top and the bottom of the second side surface **254**, for example, the height at which the middle of the second side surface **254** is positioned. Subsequently, when the lens is moved to the upper limit position in the +z-axis direction, which is the optical axis direction, the height ($z=z_h$) at which the middle of the position sensor **260** is positioned may be aligned with a point that is lower than the bottom of the second side surface **254**.

Further, a first section **BP1**, in which the magnetic field **272** having an S-pole is changed linearly, is larger than a second section **BP2**, in which the magnetic field **274** having an N-pole is changed linearly. This is because the first length **L1** of the first side surface **252** having an S-polarity is longer than the second length **L2** of the second side surface **254** having an N-polarity. However, when the first side surface **252** having the first length **L1**, which is longer than the second length **L2**, has an N-polarity and the second side surface **254** having the second length **L2**, which is shorter than the first length **L1**, has an S-polarity, reference numeral **272** in FIG. **48** may correspond to the magnetic field having an N-polarity and reference numeral **274** may correspond to the magnetic field having an S-polarity. Although not illustrated, if the polarities are switched as described above, the polarities of the Y-axis may also be reversed.

FIGS. **49a** and **49b** are graphs showing the displacement depending on the intensity of the magnetic field sensed by

the position sensor 260, in which the horizontal axis represents the magnetic field and the vertical axis represents the displacement.

If the position sensor 260 and the bipolar-magnetized magnet 250 are arranged so as to sense the magnetic field in the first section BP1, which is a larger linear section than the second section BP2 illustrated in FIG. 48, as illustrated in FIG. 49a, the displacement may be detected even when the change in the sensed magnetic field is small. Meanwhile, if the position sensor 260 and the bipolar-magnetized magnet 250 are arranged so as to sense the magnetic field in the second section BP2, which is a smaller linear section than the first section BP1 illustrated in FIG. 48, as illustrated in FIG. 49b, the degree to which the minute displacement can be detected when the change in the sensed magnetic field is small is smaller than that in the configuration in FIG. 49a. That is, the slope in the graph in FIG. 49a and the slope in the graph in FIG. 49b may be different from each other. Therefore, as illustrated in FIG. 49a, the configuration in which the position sensor 260 and the bipolar-magnetized magnet 250 are arranged so as to allow the position sensor 260 to sense the magnetic field in the first section BP1, which is larger than the second section BP2, is capable of detecting the displacement at much higher resolution. That is, as the section in which the intensity of a magnetic field is changed linearly increases, the change in displacement with respect to the encoded magnetic field may be checked more accurately.

Further, according to the embodiment, the intensity of the magnetic field, which is sensed by the position sensor 260 and is changed linearly, may be encoded using 7 to 12 bits. In this case, the control unit (not illustrated) may include a look-up table (not illustrated) so as to precisely control the displacement of the movable unit 220 using the position sensor 260. The displacement and the code values corresponding to the intensity of the magnetic field that match the respective displacement may be stored in the look-up table. For example, referring to FIG. 38, the intensity of the magnetic field, from the minimum magnetic field B0 to the maximum magnetic field B1, may match the respective displacement z, and may be encoded using 7 to 12 bits. Therefore, in order to control the displacement of the movable unit 220, the control unit may seek a corresponding code value, and may move the movable unit 220 to a position that matches the sought code value in the optical axis direction. The control unit may be disposed or included in the image sensor, or may be disposed or included in the first circuit board, to which the image sensor is mounted.

Further, in the above-described lens driving devices 200A to 200F, the length LT of the bipolar-magnetized magnet 250 in the z-axis direction, which is parallel to the optical axis direction, may be at least 1.5 times larger than the movable range, that is, the maximum displacement of the movable unit 220. For example, referring to FIGS. 36 and 39, since the movable range, that is, the maximum displacement of the movable unit 220, is z1, the length LT of the bipolar-magnetized magnet 250 may be 1.5*z1 or more.

It has been described above that the lens driving devices 200A to 200F have a configuration such that the position sensor 260 is positioned in the fixed unit 210 in a coupling, contacting, supporting, provisional securing, inserting or seating manner and the bipolar-magnetized magnet 250 is positioned in the movable unit 220 in a coupling, contacting, supporting, securing, provisional securing, inserting or seating manner. However, the embodiment is not limited to this configuration.

That is, according to another embodiment, the position sensor 260 may be positioned in the movable unit 220 in a coupling, contacting, supporting, provisional securing, inserting or seating manner and the bipolar-magnetized magnet 250 may be positioned in the fixed unit 210 in a coupling, contacting, supporting, securing, provisional securing, inserting or seating manner, and the above explanation may also be applied to this configuration.

FIG. 50 is a graph for explaining a change in the intensity of a magnetic field depending on a moving distance of the movable unit 220 in a lens driving device according to a comparative example, in which a horizontal axis represents a moving distance and a vertical axis represents the intensity of a magnetic field.

If the position sensor 260 is not biased closer to any one of the first and second side surfaces 252 and 254 of the bipolar-magnetized magnet 250 and the first and second lengths L1 and L2 in the optical axis direction are the same, a change in the magnetic field, which is sensed by the position sensor 260 while the movable unit 220 is moved, may be as shown in FIG. 50. At this time, referring to FIG. 50, the polarities of the magnetic field sensed by the position sensor 260 may be opposite each other about a mutual zone (MZ). Here, the mutual zone (MZ) is a zone in which, although the movable unit 220 is moved, the intensity of the magnetic field sensed by the position sensor 260 is fixed to '0'. This mutual zone (MZ) may not be handled even by software-based processing. Therefore, because the position sensor 260 cannot but recognize the intensity of the magnetic field as '0' in the mutual zone (MZ), the moving distance of the movable unit 220 in the mutual zone (MZ) cannot be accurately measured or controlled.

However, according to the embodiment, since the bipolar-magnetized magnet 250 is configured such that the first length L1 is longer than the second length L2 and the magnetic field having the first polarity, the intensity of which is changed linearly, is sensed by the position sensor 260, the problem with the above-described comparative example may be prevented. Accordingly, the design margin and reliability of the lens driving devices 200A to 200F may be improved.

FIG. 51 is a graph showing a change of a magnetic field sensed by the position sensor 260 depending on movement of the movable unit 220 in the lens driving device according to the embodiment, in which a horizontal axis represents a moving distance and a vertical axis represents a magnetic field.

If the third length L3 of the above-described non-magnetic partition wall 250A-1 or 250C-1 is decreased to fifty percent or less of the overall length LT of the bipolar-magnetized magnet 250, as illustrated in FIG. 51, the mutual zone (MZ) may be almost eliminated. At this time, the height (z=zh) at which the middle of the position sensor 260 is positioned may be aligned with the height at which the middle of the bipolar-magnetized magnet 250 is positioned. In this case, the intensity of a magnetic field 282 having a first polarity and the intensity of a magnetic field 284 having a second polarity may be changed substantially linearly. Therefore, since the position sensor 260 is capable of sensing both the magnetic field 282 having a first polarity and the magnetic field 284 having a second polarity, the intensities of which are changed linearly depending on the movement of the movable unit 220, the embodiment may have relatively higher resolution than the configuration in which the position sensor 260 senses a magnetic field that has only one of the first and second polarities and has intensity that is changed linearly.

Further, if the third length L3 of the non-magnetic partition wall **250A-1** or **250C-1** is set to be ten percent or more of the overall length LT of the bipolar-magnetized magnet **250**, the mutual zone (MZ) and the linear section of the magnetic field are clearly separated from each other, and thus the position sensor **260** is capable of sensing only the magnetic field that has one of the first and second polarities and has intensity that is changed linearly.

The above-described lens driving devices **1000-1**, **2000**, **3000**, and **200A** to **200F** according to the 1st to 4th embodiments are applicable to camera modules (for example, reference numeral '1000' in the 1st embodiment) for mobile appliances such as mobile phones.

The camera module according to the 2nd to 4th embodiments may include the lens driving device **2000**, **3000**, and **200A** to **200F** according to the 2nd to 4th embodiments, the lens provided in the lens driving device **2000**, **3000**, and **200A** to **200F** according to the 2nd to 4th embodiments in a mounting, inserting, seating, contacting, coupling, securing, supporting or disposing manner, the image sensor (not illustrated) disposed at the lower portion, the second circuit board (not illustrated) (or the main circuit board) on which the image sensor is disposed, and the optical system.

At this time, the camera module according to the 2nd to 4th embodiments may further include the lens barrel, which is coupled to the bobbin **110A** and **110B** or the movable unit **220**. The lens barrel is as described above, and the second circuit board, to which the image sensor is mounted, may serve as the bottom surface of the camera module. Further, the optical system may include at least one lens for transmitting an image to the image sensor.

Further, the above-described camera module according to the 1st to 4th embodiments may further include the camera module control unit (or the control unit) (not illustrated). The camera module control unit may compare a first displacement value, which is calculated based on a code value or an electric current change value, sensed by the displacement sensing part **82** and **180** or the position sensor **260**, with a focal distance of the lens depending on the distance between the subject and the lens. Subsequently, if the focal distance of the lens does not correspond to the first displacement value or the current position of the lens, the camera module control unit may readjust the amount of electric current applied to the first coil **31** and **120** of the bobbin **30**, **110A** and **110B** or the movable unit **220** or the code value, thereby moving the bobbin **30**, **110A** and **110B** or the movable unit **220** by a second displacement amount in the first direction. Further, the displacement sensing part **82** and **180** or the position sensor **260**, which are secured to the housing member **40** and **140** that is a fixed body or to the fixed unit **210**, may sense the change of the intensity of a magnetic field (or magnetic force) emitted from the sensing magnet **70**, **182A** and **182B** or the bipolar-magnetized magnet **250** depending on movement in the first direction of the sensing magnet **70**, **182A** and **182B** or the bipolar-magnetized magnet **250**, which is secured to the bobbin **30**, **110A** and **110B** that is a movable body or to the movable unit **220**, and an additional driver IC or the camera module control unit may calculate or determine the current position or the first displacement amount of the bobbin **30**, **110A** and **110B** or the movable unit **220** based on the change amount of the electric current, which is output depending on the change amount of the intensity of the sensed magnetic field, or the mapped code value. The current position or the first displacement amount of the bobbin **30**, **110A** and **110B** or the movable unit **220**, which is calculated or determined using the displacement sensing part **82** and **180** or the position

sensor **260**, may be transmitted to the camera module control unit of the first circuit board **80**, **170A** and **170B**, so that the camera module control unit is capable of re-determining the position of the bobbin **30**, **110A** and **110B** or the movable unit **220** for auto-focusing and of adjusting the amount of current applied to the first coil **31** and **120**, thereby maintaining the code value. Here, the applied amount of current may generate different outputs depending on the posture and conditions, and the amount of current applied to the first coil **31** and **120** may be adjusted corresponding thereto.

For example, referring to FIGS. **9** and **12**, the camera module control unit may be included in the first circuit board **170A**, and may readjust the amount of current applied to the first coil **120** based on the first displacement value sensed by the displacement sensing part **180**. For example, the camera module control unit may receive signals from the 2-1st and 2-2nd pins of the Hall sensor **180**. The camera module control unit may be mounted on the first circuit board **170A**. Alternatively, according to another embodiment, the camera module control unit may not be mounted on the first circuit board **170A** but may be mounted on an additional board. Here, the additional board may be the second circuit board (not illustrated), on which the image sensor (not illustrated) is mounted, in the camera module, or may be a separate another board. For example, the second circuit board may be the printed circuit board **10**, on which the image sensor **11** depicted in FIG. **2** is mounted.

On the other hand, the optical system may include an actuator module capable of performing an auto-focusing function and a hand shake compensation function. The actuator module for performing the auto-focusing function may be constituted in various fashions, among which a voice coil unit motor is commonly used. The lens driving device **1000-1**, **2000**, **3000**, and **200A** to **200F** according to the above-described embodiments may correspond to the actuator module for performing the auto-focusing function. However, the embodiment is not limited to the actuator module for performing only the auto-focusing function, and may also be applied to an actuator module capable of performing both the auto-focusing function and the hand shake compensation function.

Although not illustrated, if a second coil (not illustrated), a support member (not illustrated) and a plurality of sensing parts (not illustrated) are added to the above-described lens driving device **1000-1**, **2000**, **3000**, and **200A** to **200F** of performing the auto-focusing function, the lens driving device **1000-1**, **2000**, **3000**, and **200A** to **200F** is capable of performing the hand shake compensation function as well as the auto-focusing function. Here, the second coil may be arranged such that the bottom surface of the driving magnet **41** and **130** directly faces the second coil, the plurality of sensing parts may be respectively embodied as, for example, a Hall sensor, and the sensing parts, the second coil and the driving magnet **41** and **130** may be arranged in the same axis. Accordingly, the second coil may move the housing member **40** and **140** in the second direction and/or the third direction through interaction with the driving magnet **41** and **130**, thereby performing the hand shake compensation.

At this time, the support member may be disposed on the top surface of the base **20** and **190** so as to resiliently (or elastically) support horizontal movement of the housing member **40** and **140** that is moved in the direction perpendicular to the first direction. Further, the base **20** and **190** may support the bottom of the housing member **40** and **140**.

The camera module according to the 1st to 4th embodiments may further include an infrared cut-off filter (not illustrated). The infrared cut-off filter functions to prevent

infrared light from being introduced into the image sensor. In this case, the infrared cut-off filter may be mounted at a position corresponding to the image sensor in the base **190** and may be coupled to a holder member (not illustrated). Further, the base **190** may support the bottom of the holder member.

Further, in the camera module according to the 2nd to 4th embodiments, an additional terminal member for electrical connection with the second circuit board (not illustrated) may be mounted to the base **190**, and such a terminal member may be integrally formed with the base **190** using a surface electrode.

On the other hand, the base **20** and **190** in the lens driving device **1000-1**, **2000**, **3000**, and **200A** to **200F** according to the 1st to 4th embodiments may function as a sensor holder for protecting the image sensor (for example, corresponds to reference numeral **11** in the lens driving device according to the 1st embodiment), and in this case, protrusions may be formed downward along the side surfaces of the base **20** and **190**. But, this is not an essential constitution, and although not illustrated, an additional sensor holder may be disposed below the base **20** and **190** so as to perform the image sensor protection.

The explanation of any one embodiment of the above-described lens driving devices **1000-1**, **2000**, **3000**, and **200A** to **200F** according to the 1st to 4th embodiments may, of course, be applied to the other embodiments so long as it is not contrary to the explanation of the other embodiments.

Although embodiments have been described with reference to a number of illustrative embodiments thereof, it should be understood that numerous other modifications and embodiments can be devised by those skilled in the art that will fall within the spirit and scope of the principles of this disclosure. More particularly, various variations and modifications are possible in the component parts and/or arrangements of the subject combination arrangement within the scope of the disclosure, the drawings and the appended claims. In addition to variations and modifications in the component parts and/or arrangements, alternative uses will also be apparent to those skilled in the art.

[Mode For Invention]

Various embodiments have been described in the best mode for carrying out the invention.

INDUSTRIAL APPLICABILITY

A lens driving device and a camera module including the same according to the embodiments are applicable to mobile appliances such as mobile phones (or, portable phone) and smart phones, and are also applicable to various multimedia fields including notebook type personal computers, tablet PCs, camera phones, PDAs, smart phones and toys, and to image input equipment including monitoring cameras and information terminals for video tape recorders.

The invention claimed is:

1. A lens driving device, comprising:

a cover member [comprising:] a first lateral plate, a second lateral plate disposed opposite to the first lateral plate, a third lateral plate, and a fourth lateral plate disposed opposite to the third lateral plate;

[a first lateral plate:

a second lateral plate disposed opposite to the first lateral plate;

a third lateral plate; and

a fourth lateral plate disposed opposite to the third lateral plate;]

a bobbin disposed in the cover member;

a housing member disposed [in] between the cover member and the bobbin;

[a bobbin disposed in the housing member;]

a coil [unit] disposed around an outer peripheral surface of the bobbin;

first and second driving magnets facing the coil [unit], wherein the first and second driving magnets are coupled to the first lateral plate and the second lateral plate of the cover member, respectively;

an upper elastic member coupled to an upper surface of the bobbin;

a lower elastic member coupled to a lower surface of the bobbin;

a sensing magnet disposed on [a side wall of] the bobbin, overlapped with the third lateral plate of the cover member; and

a position sensor [facing] disposed opposite to the sensing magnet and being configured to sense a movement of the sensing magnet in a [z-direction] first direction along an optical axis,

[wherein the side wall of the bobbin is overlapped with the third lateral plate of the cover member in an x-axis direction perpendicular to the z-axis direction and perpendicular to the fourth lateral plate, and

wherein the sensing magnet is not overlapped with the coil unit and the third lateral plate of the cover member in the x-axis direction]

wherein the sensing magnet is disposed on a first surface of the bobbin corresponding with the third lateral plate of the cover member, and

wherein the sensing magnet is overlapped with the coil in the first direction.

2. The lens driving device according to claim 1, wherein the bobbin comprises a recess formed on the [side wall] first surface of the bobbin, and

wherein the sensing magnet is disposed [in] on the recess of the bobbin.

3. The lens driving device according to claim 1, wherein the lower elastic member comprises a first lower elastic member and a second lower elastic member spaced apart from the first lower elastic member, and

wherein the first and second lower elastic members are connected to two ends of the coil [unit], respectively.

4. The lens driving device according to claim 1, wherein the sensing magnet is disposed above the coil [unit] in the [z-axis] first direction.

5. The lens driving device according to claim 1, wherein at least a portion of the sensing magnet is disposed more inwardly toward the optical axis than is the coil [unit] as measured from the outer peripheral surface of the bobbin.

6. The lens driving device according to claim 1, wherein the sensing magnet comprises [a bipolar-magnetized magnet]:

a first portion facing the position sensor and having a first polarity; and

a second portion facing the position sensor, disposed to be spaced apart from or in contact with the first portion in the first direction, and having a second polarity opposite the first polarity.

7. The lens driving device according to claim 1, wherein an opening is formed at the third lateral plate of the cover member, and

wherein the sensing magnet is overlapped with the opening in [the x-axis] a second direction perpendicular to the first direction and perpendicular to the fourth lateral plate.

49

8. The lens driving device according to claim 7, wherein the opening is a hole.

9. The lens driving device according to claim 1, [further] comprising:

a circuit board coupled with the position sensor; and
a base coupled with the cover member,
wherein the circuit board comprises a plurality of terminals,

wherein the first and second driving magnets are disposed on the housing member [in a y-axis direction perpendicular to each of the z-axis and x-axis directions,] so as to be in parallel to each other, and

[wherein the circuit board is disposed at a position corresponding to a position of a side wall of at least one of the bobbin, the housing member, and the cover member in the x-axis direction, and]

wherein the lower elastic member is electrically connected to the circuit board.

10. The lens driving device according to claim 2, wherein the bobbin [further] comprises an additional recess disposed opposite to the recess; and

wherein a weight-balancing member is disposed [in] on the additional recess and has a weight same as that of the sensing magnet.

11. The lens driving device according to claim 6, [wherein the bipolar-magnetized magnet comprises:

a first portion facing the position sensor and having a first polarity; and

a second portion facing the position sensor, disposed to be spaced apart from or in contact with the first portion in the z-axis direction, and having a second polarity opposite the first polarity, and]

wherein a length of the first portion of the sensing magnet in the [z-axis] first direction is equal to or greater than a length of the second portion of the sensing magnet in the [z-axis] first direction.

12. The lens driving device according to claim 1, wherein the first and second driving magnets are bonded and fixed to the first and second lateral plates of the cover member, respectively, and

wherein a size of the sensing magnet is smaller than that of each of the first and second driving magnets.

13. The lens driving device according to claim 1, [further] comprising an inner yoke integrally formed with the cover member,

wherein the inner yoke is disposed at a position corresponding to that of a corner of the housing member, and wherein the inner yoke [comprises:] comprises a bent portion bent downwardly from the cover member, and a bottleneck section formed at positions adjacent to the bent portion

[a bent portion bent downwardly from the cover member; and

a bottleneck section formed at positions adjacent to the bent portion, the bottleneck section of the inner yoke being symmetrically formed].

14. The lens driving device according to claim 3, wherein the two ends of the coil [unit] are [arranged] disposed on opposite sides with respect to the optical axis.

15. The lens driving device according to claim 1, wherein the bobbin comprises a plurality of lower support protrusions [protruded] protruding from the lower surface thereof,

wherein the lower elastic member comprises a plurality of through holes formed at positions corresponding to positions of the lower support protrusions, and

50

wherein the lower support protrusions are secured to the through holes and are [arranged] disposed in a symmetrical manner with respect to the optical axis.

[16. A camera module, comprising:

a cover member comprising a first lateral plate, a second lateral plate disposed opposite to the first lateral plate, a third lateral plate, and a fourth lateral plate disposed opposite to the third lateral plate;

a housing member disposed in the cover member;

a bobbin disposed in the housing member;

a lens coupled to the bobbin;

a coil unit disposed around an outer peripheral surface of the bobbin;

first and second driving magnets facing the coil unit, wherein the first and second driving magnets are coupled to the first lateral plate and the second lateral plate of the cover member, respectively;

an upper elastic member coupled to an upper surface of the bobbin;

a lower elastic member coupled to a lower surface of the bobbin;

a sensing magnet disposed on a side wall of the bobbin and overlapped with the third lateral plate of the cover member;

a position sensor facing the sensing magnet and being configured to sense a movement of the sensing magnet in a z-axis direction along an optical axis,

a first circuit board; and

an image sensor coupled to the first circuit board,

wherein the side wall of the bobbin is overlapped with the third lateral plate of the cover member in an x-axis direction perpendicular to the z-axis direction and perpendicular to the fourth lateral plate, and

wherein the sensing magnet is not overlapped with the coil unit and the third lateral plate of the cover member in the x-axis direction.]

[17. The camera module according to claim 16, wherein an opening is formed at the third lateral plate of the cover member, and

wherein the sensing magnet is overlapped with the opening in the x-axis direction.]

[18. The camera module according to claim 17, wherein the opening is a hole.]

[19. The camera module according to claim 16, further comprising:

a second circuit board coupled with the position sensor; and

a base coupled with the cover member,

wherein the second circuit board comprises a plurality of terminals, and

wherein the lower elastic member is connected to the second circuit board.]

20. A lens driving device, comprising:

a cover member comprising a first lateral plate, a second lateral plate disposed opposite to the first lateral plate, a third lateral plate, and a fourth lateral plate disposed opposite to the third lateral plate;

a housing member disposed in the cover member;

a bobbin disposed in the housing member;

a coil [unit disposed around] wound on an outer peripheral surface of the bobbin;

first and second driving magnets facing the coil [unit], wherein the first and second driving magnets are coupled to the first lateral plate and the second lateral plate of the cover member, respectively;

51

a sensing magnet disposed on a side wall of the bobbin [and overlapped with the third lateral plate of the cover member];

a position sensor [facing] disposed opposite to the sensing magnet and being configured to sense a movement of the sensing magnet in a z-axis direction along an optical axis, and

an opening formed at the third lateral plate of the cover member,

wherein the side wall of the bobbin is overlapped with the third lateral plate of the cover member in an x-axis direction perpendicular to the z-axis direction and perpendicular to the fourth lateral plate, [and]

wherein the sensing magnet is not overlapped with the coil [unit] and is overlapped with the opening in the x-axis direction, and

wherein the sensing magnet is overlapped with the coil in the z-axis direction.

21. The lens driving device according to claim 20, wherein the bobbin comprises a recess formed on the side wall of the bobbin, and

wherein the sensing magnet is disposed on the recess of the bobbin.

22. The lens driving device according to claim 21, wherein the lower elastic member comprises a first lower elastic member and a second lower elastic member spaced apart from the first lower elastic member, and

wherein the first and second lower elastic members are connected to two ends of the coil, respectively.

23. The lens driving device according to claim 22, comprising:

a circuit board coupled with the position sensor; and

a base coupled with the cover member,

wherein the circuit board comprises a plurality of terminals,

wherein the first and second driving magnets are disposed on the housing member so as to be in parallel to each other, and

wherein the lower elastic member is electrically connected to the circuit board.

24. A camera module, comprising:

a printed circuit board;

an image sensor disposed on the printed circuit board;

the lens driving device of claim 20; and

a lens coupled to the bobbin of the lens driving device and spaced apart from the image sensor.

25. A lens driving device, comprising:

a cover member comprising a first lateral plate, a second lateral plate disposed opposite to the first lateral plate, a third lateral plate, and a fourth lateral plate disposed opposite to the third lateral plate;

a bobbin disposed in the cover member;

a housing member disposed between the cover member and the bobbin;

a coil wound on an outer peripheral surface of the bobbin;

first and second driving magnets facing the coil, wherein the first and second driving magnets are coupled to the first lateral plate and the second lateral plate of the cover member, respectively;

52

an upper elastic member coupled to an upper surface of the bobbin;

a lower elastic member coupled to a lower surface of the bobbin;

a sensing magnet disposed on the bobbin; and

a position sensor disposed opposite to the sensing magnet and being configured to sense a movement of the sensing magnet in a direction along an optical axis, wherein the sensing magnet is disposed on a first surface of the bobbin corresponding with the third lateral plate of the cover member, and

wherein the third lateral plate of the cover member comprises an opening formed at a position corresponding to the sensing magnet.

26. The lens driving device according to claim 25, wherein the bobbin comprises a recess formed on the first surface of the bobbin, and

wherein the sensing magnet is disposed on the recess of the bobbin.

27. The lens driving device according to claim 26, wherein the lower elastic member comprises a first lower elastic member and a second lower elastic member spaced apart from the first lower elastic member, and

wherein the first and second lower elastic members are connected to two ends of the coil, respectively.

28. The lens driving device according to claim 27, comprising:

a circuit board coupled with the position sensor; and

a base coupled with the cover member,

wherein the circuit board comprises a plurality of terminals,

wherein the first and second driving magnets are disposed on the housing member so as to be in parallel to each other, and

wherein the lower elastic member is electrically connected to the circuit board.

29. A camera module, comprising:

a printed circuit board;

an image sensor disposed on the printed circuit board;

the lens driving device of claim 25; and

a lens coupled to the bobbin of the lens driving device and spaced apart from the image sensor.

30. The lens driving device according to claim 1, wherein the coil surrounds the outer peripheral surface of the bobbin, and

wherein the sensing magnet is not overlapped with the coil and the third lateral plate of the cover member in a second direction perpendicular to the first direction and perpendicular to the fourth lateral plate.

31. The lens driving device according to claim 1, wherein the sensing magnet is fixed to the bobbin by an adhesive and does not protrude outside the bobbin.

32. A camera module, comprising:

a printed circuit board;

an image sensor disposed on the printed circuit board;

the lens driving device of claim 1; and

a lens coupled to the bobbin of the lens driving device and spaced apart from the image sensor.

33. A mobile phone comprising the camera module of claim 32.

* * * * *