



US00RE48619E

(19) **United States**
(12) **Reissued Patent**
Barlettano

(10) **Patent Number:** **US RE48,619 E**
(45) **Date of Reissued Patent:** **Jul. 6, 2021**

(54) **PERSONAL AIR COOLER**

OTHER PUBLICATIONS

(71) Applicant: **ONTEL PRODUCTS CORPORATION**, Fairfield, NJ (US)

Evapolar EV1000CART Replacement Evaporative Cartridge for EV-1000 evaLIGHT Personal Air Cooler and Humidifier, www.amazon.com/Evapolar-EV1000CART-Replacement-Evaporative-Humidifier/dp/B06XT5B742, retrieved Oct. 31, 2018.

(72) Inventor: **Scott Barlettano**, Wayne, NJ (US)

(Continued)

(73) Assignee: **ONTEL PRODUCTS CORPORATION**, Fairfield, NJ (US)

Primary Examiner — Philip S Hyder

(21) Appl. No.: **29/760,128**

(74) *Attorney, Agent, or Firm* — Dickinson Wright PLLC

(22) Filed: **Nov. 30, 2020**

Related U.S. Patent Documents

(57) **CLAIM**

Reissue of:

I claim the ornamental design for a personal air cooler, as shown and described.

(64) Patent No.: **Des. 852,340**
Issued: **Jun. 25, 2019**
Appl. No.: **29/674,634**
Filed: **Dec. 21, 2018**

(51) **LOC (13) Cl.** **23-04**

DESCRIPTION

(52) **U.S. Cl.**
USPC **D23/333**

(58) **Field of Classification Search**
USPC D23/314, 317, 324, 325, 327, 329, 332, D23/333, 335, 336, 337, 338, 351, 355
CPC F24F 1/00; F24F 1/0007; F24F 1/02; F24F 1/08; F24F 1/42; F24F 1/56; F24F 1/60; F24F 3/044; F24F 3/048; F24F 3/16; G05D

This application is a reissue application for U.S. Design Pat. No. D. 852,340, which issued on Jun. 25, 2019, from U.S. Design application Ser. No. 29/674,634, filed on Dec. 21, 2018, the contents of which is entirely incorporated by reference herein.

FIG. 1 is a top-side perspective view of a personal air cooler; FIG. 2 is a front view of the personal air cooler of FIG. 1; FIG. 3 is a left side view of the personal air cooler of FIG. 1; FIG. 4 is a rear view of the personal air cooler of FIG. 1; FIG. 5 is a right side view of the personal air cooler of FIG. 1; FIG. 6 is a top view of the personal air cooler of FIG. 1; and, FIG. 7 is a bottom view of the personal air cooler of FIG. 1. The broken lines in the drawings illustrate portions of the personal air cooler that form no part of the claimed design.

(Continued)

(56) **References Cited**

1 Claim, 7 Drawing Sheets

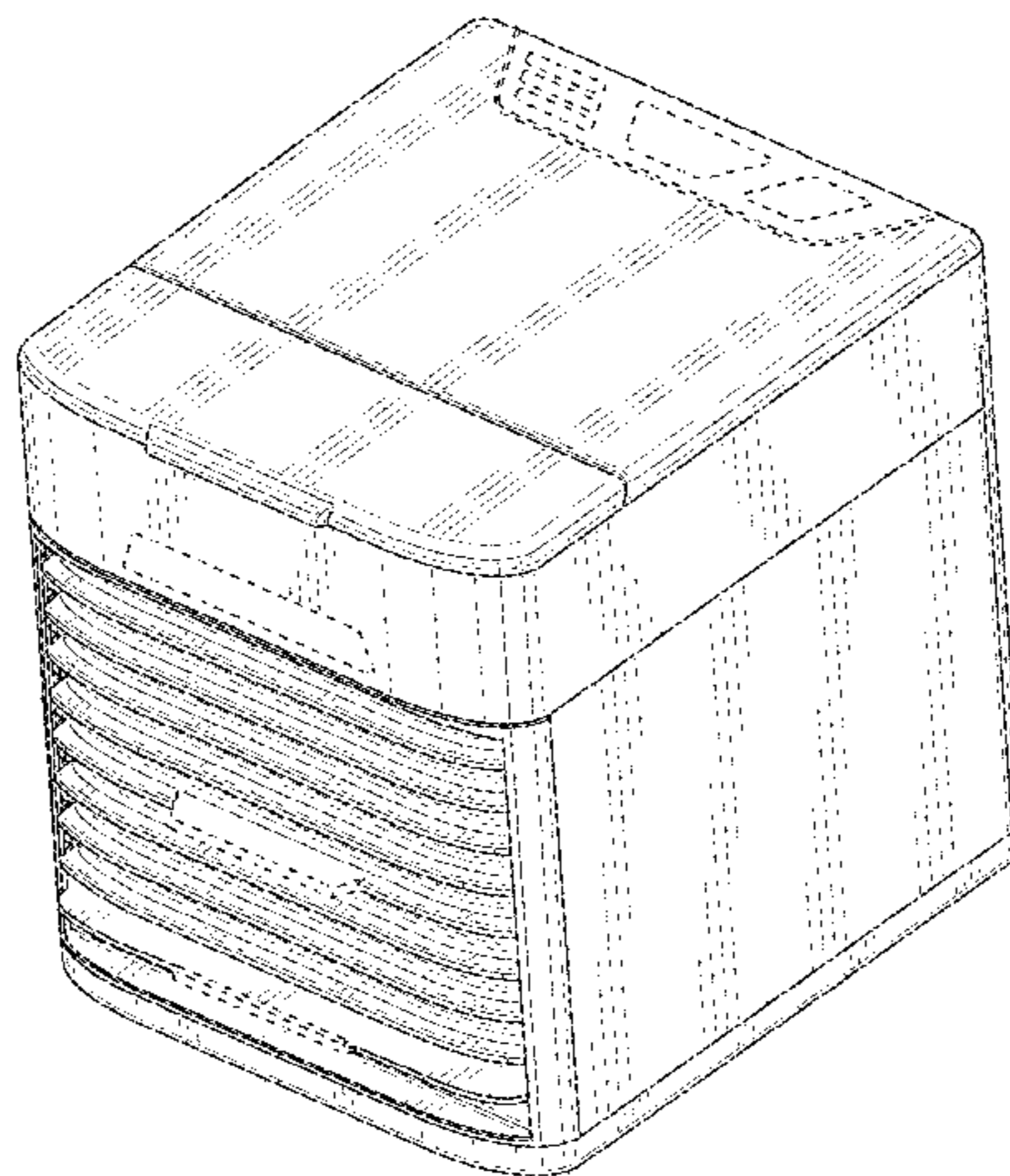
U.S. PATENT DOCUMENTS

D185,748 S 7/1959 Goettl
D188,357 S * 7/1960 Klotz, Jr. D23/333
(Continued)

FOREIGN PATENT DOCUMENTS

CN 106091220 A 11/2016
CN 107327992 A 11/2017
(Continued)

Matter enclosed in heavy brackets [] appears in the original patent but forms no part of this reissue; matter printed in italics indicates the additions made by reissue.



(Amended)

(58) **Field of Classification Search**

CPC 23/1905; G05D 23/1932; G05D 23/1902;
G05D 23/1931; G05B 19/0426; G05B
19/409; G05B 15/02

See application file for complete search history.

(56) **References Cited**

U.S. PATENT DOCUMENTS

3,176,117 A * 3/1965 Knoll F24H 3/0411
165/121

D279,815 S 7/1985 Yuen

D282,101 S * 1/1986 Yuen D23/328

D282,102 S * 1/1986 Yuen D23/328

D291,350 S 8/1987 Sherman

D313,069 S * 12/1990 McCormick D23/335

4,977,755 A * 12/1990 Tulley F24F 5/0035
220/495.01

D319,498 S * 8/1991 Huang D23/335

5,162,088 A 11/1992 Peng et al.

5,309,726 A 5/1994 Asbridge

D361,828 S 8/1995 Chen

D384,407 S * 9/1997 Yamada D23/351

D402,745 S * 12/1998 Termeer D23/364

D402,746 S * 12/1998 Clark D23/364

D414,253 S 9/1999 Kobayashi

D416,993 S * 11/1999 Dong D23/333

D433,111 S 10/2000 Wright

D448,071 S * 9/2001 Birdsell D23/335

D453,558 S * 2/2002 Segawa D23/338

D468,005 S * 12/2002 Bailey D13/168

D516,689 S * 3/2006 Salmon D23/355

D536,780 S * 2/2007 Lerche D23/393

D543,614 S 5/2007 Chen

D553,725 S 10/2007 Shimizu

D559,973 S 1/2008 Rabito

D594,960 S 6/2009 Orihara

D606,645 S 12/2009 Orihara

D616,080 S 5/2010 Ching D23/332

D691,250 S * 10/2013 Chan D23/332

D733,273 S 6/2015 Jeon

D733,860 S 7/2015 Konno

D769,431 S * 10/2016 Lopez D23/324

D791,290 S * 7/2017 Shapiro D23/332

D804,001 S 11/2017 Cartwright

D827,115 S 8/2018 Petersen

D848,593 S * 5/2019 Exley D23/351

D849,220 S * 5/2019 Fang D23/364

D852,340 S 6/2019 Barlettano

2014/0260402 A1 * 9/2014 Varma F28C 3/08
62/314

2015/0247644 A1 3/2015 Stearns

2017/0138650 A1 5/2017 Eiserer

FOREIGN PATENT DOCUMENTS

CN 207527751 U 6/2018

CN 209689113 U 11/2019

CN 210290192 U 10/2020

EP 001712704-0001 6/2010

EP 0017127704-0001 6/2010

GB 2420083 A 5/2006

JP 1374275 11/2009

JP 1388881 5/2010

KR 100543336 B1 1/2006

KR 30-0764177 10/2014

KR 30-0865259 7/2016

WO 2005073642 A1 8/2005

WO 2018058132 A1 3/2018

OTHER PUBLICATIONS

Domus, vol. 767, Jan. 31, 1995, p. 108, Docket No. HB07009193: Design Division of the Japan Patent Office.

GDSTIME EC Cooling Fan, www.amazon.com/dp/B07H8W376G, retrieved Nov. 7, 2018.

ONTEL AA-MC4 Arctic Air Personal Space & Portable Cooler | The Quick & Easy Way to Cool Any Space, As Seen on TV, www.amazon.com/AA-MC4-Arctic-Personal-Portable-Cooler/dp/B0787DD3RX, retrieved Oct. 31, 2018.

EVAPOLAR AIR Cooler evaSMART EV-3000 Opaque White US Plug, www.amazon.com/dp/B075G1HBNW, retrieved Oct. 31, 2018.

Evapolar EV 1000CART Replacement Evaporative Cartridge for EV-1000 evaLIGHT Personal Air Cooler and Humidifier, www.amazon.com/Evapolar-EV1000CART-Replacement-Evaporative-Humidifier/dp/B06XT5B742, retrieved Oct. 31, 2018.

HoMedics MyChill Personal Space Cooler in Blue, www.amazon.com/HoMedics-MyChill-Personal-Space-Cooler/dp/B075564HQZ, retrieved Oct. 31, 2018.

Domus, vol. 767, Jan. 31, 1995, p. 108, Design Division of the Japan Patent Office.

Issuance of Notice of Grant for Japanese Design Application No. 2018-013816.

Filter for Personal Space Cooler, Arctic Air Cooler Replacement Filter Humidifier, www.amazon.com/dp/B07DQ6DXXC/, retrieved Oct. 31, 2018.

Ontel Arctic Air Personal Space Cooler Replacement Filter Authentic OEM, www.amazon.com/dp/B07DQ6DXXC/, retrieved Oct. 31, 2018.

World's First Personal Air Cooler (EVAPOLAR), www.youtube.com/watch?v=k4NxBWPTqOA, published Aug. 23, 2016.

Global Sources Home Products, No. 10, vol. 8, p. 11, Docket No. HB26005377: Design Division of the Japan Patent Office; Nov. 27, 2014.

* cited by examiner

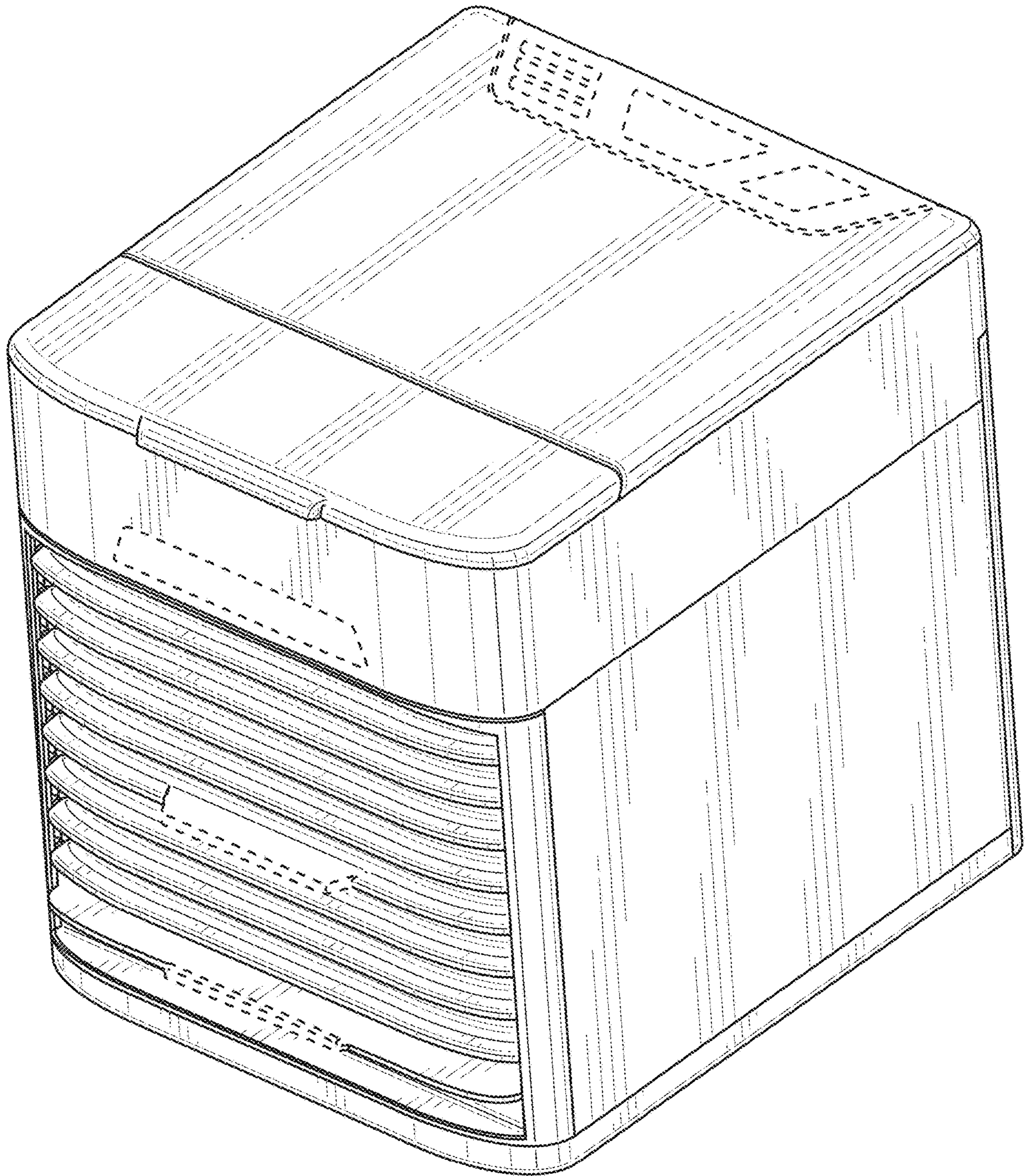


FIG. 1 (Amended)

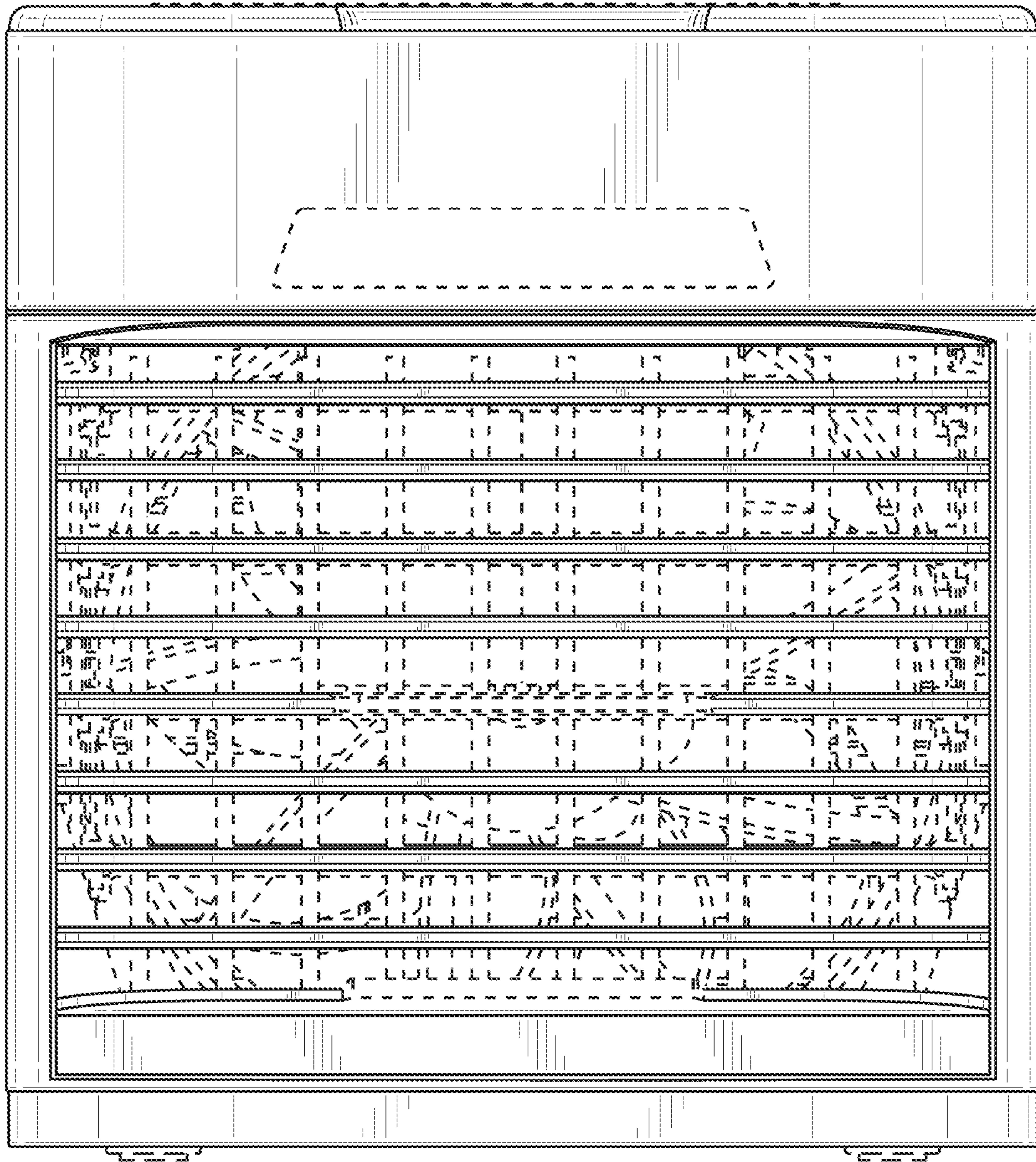


FIG. 2 (Amended)

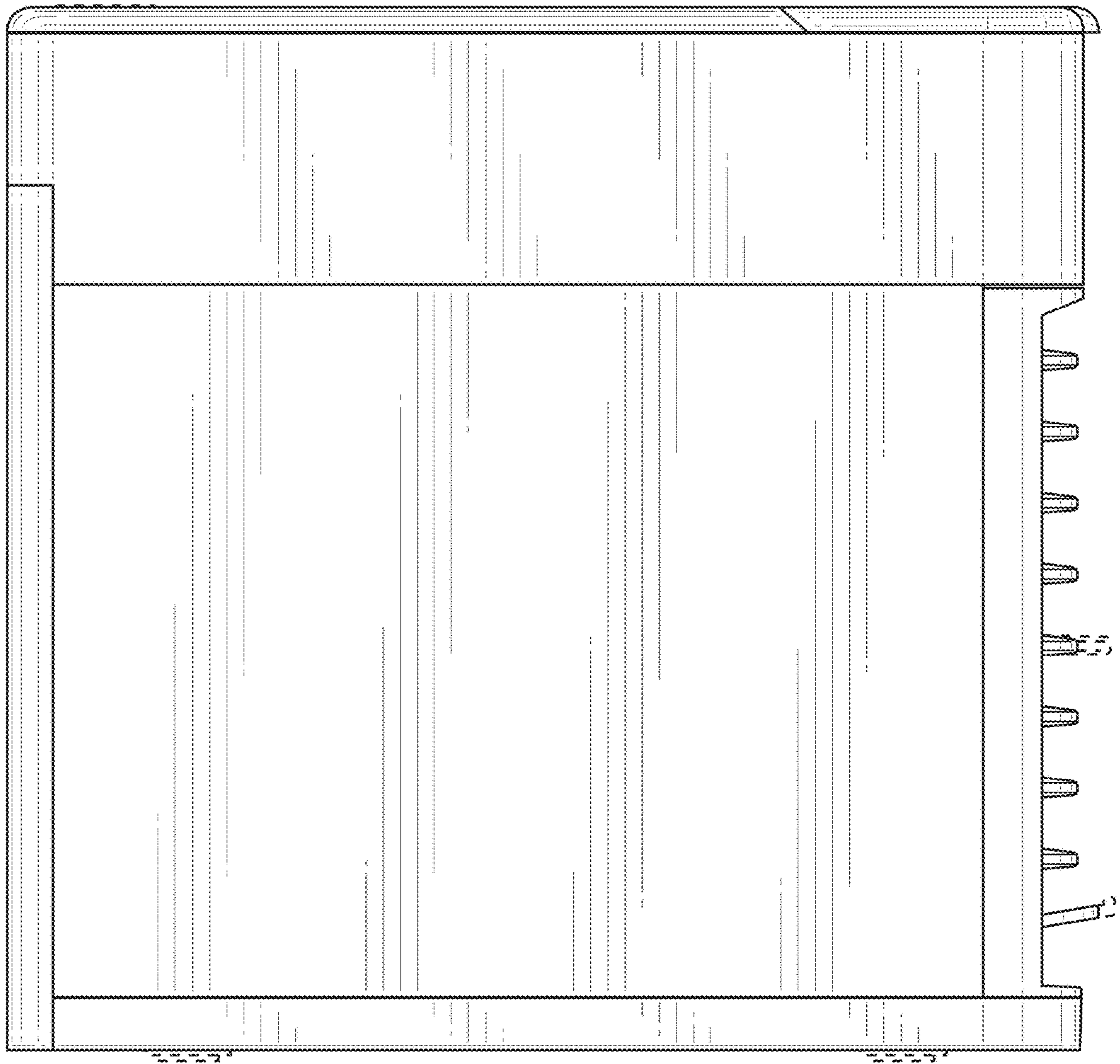


FIG. 3 (Amended)

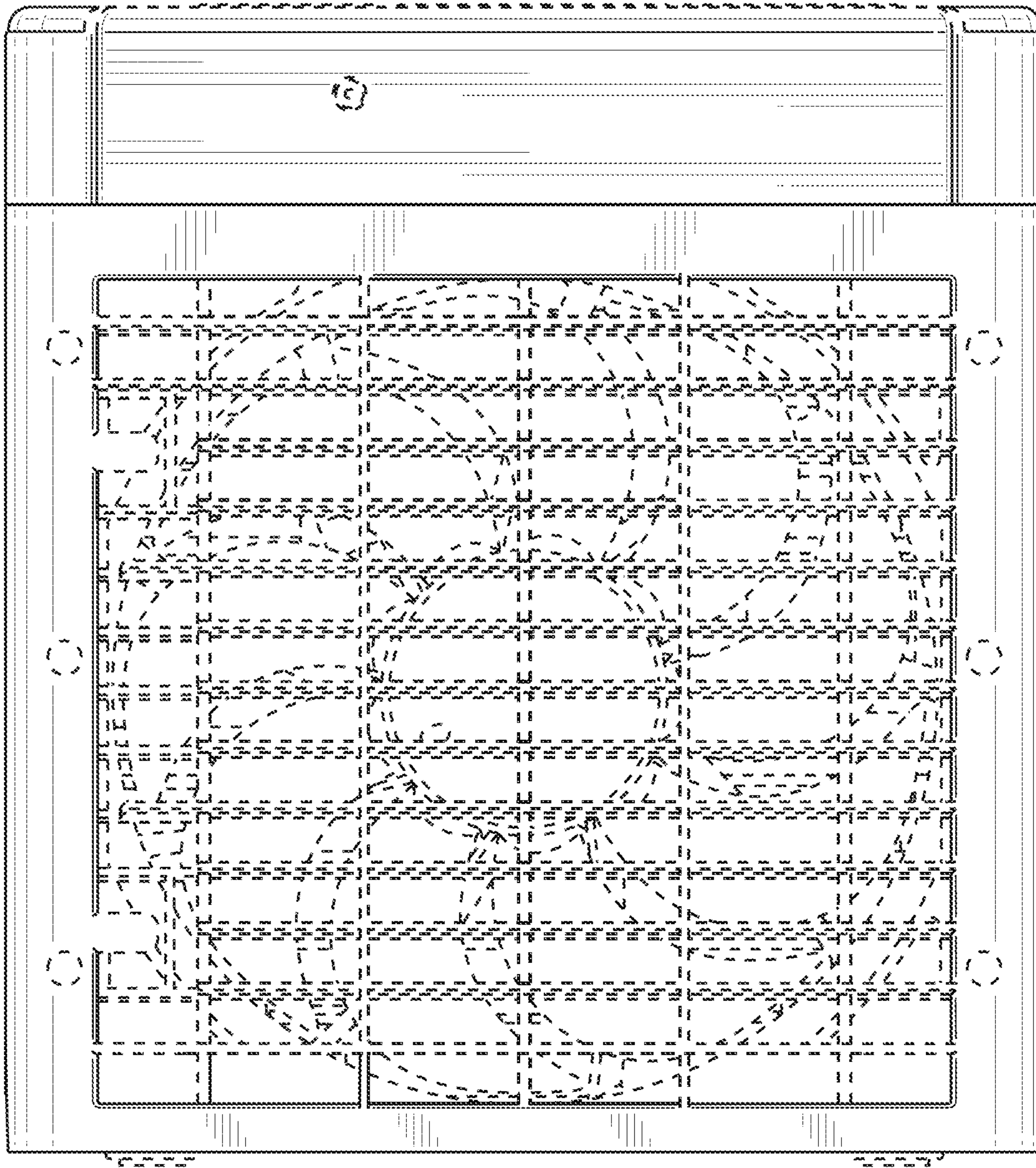


FIG. 4 (Amended)

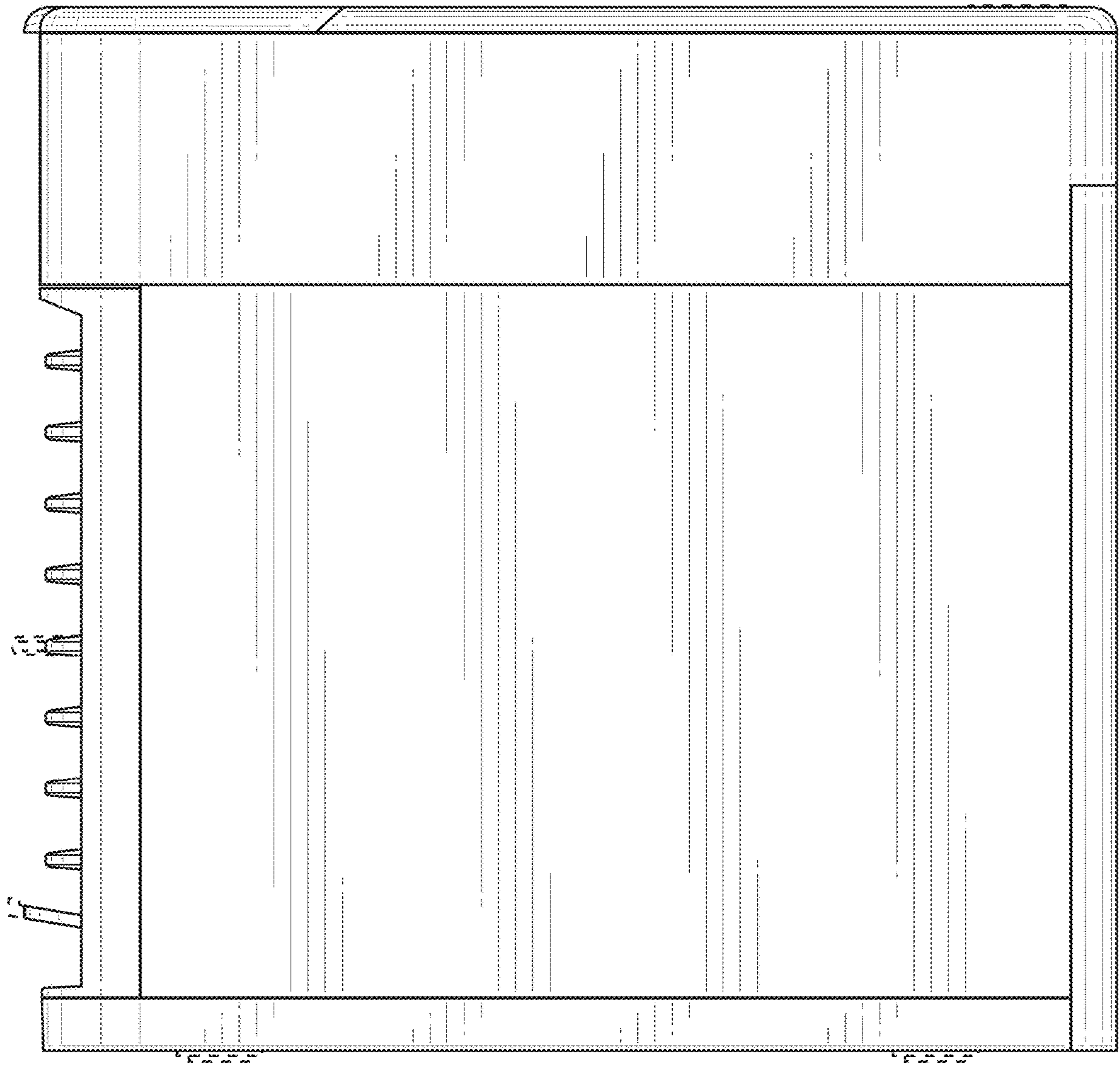


FIG. 5 (Amended)

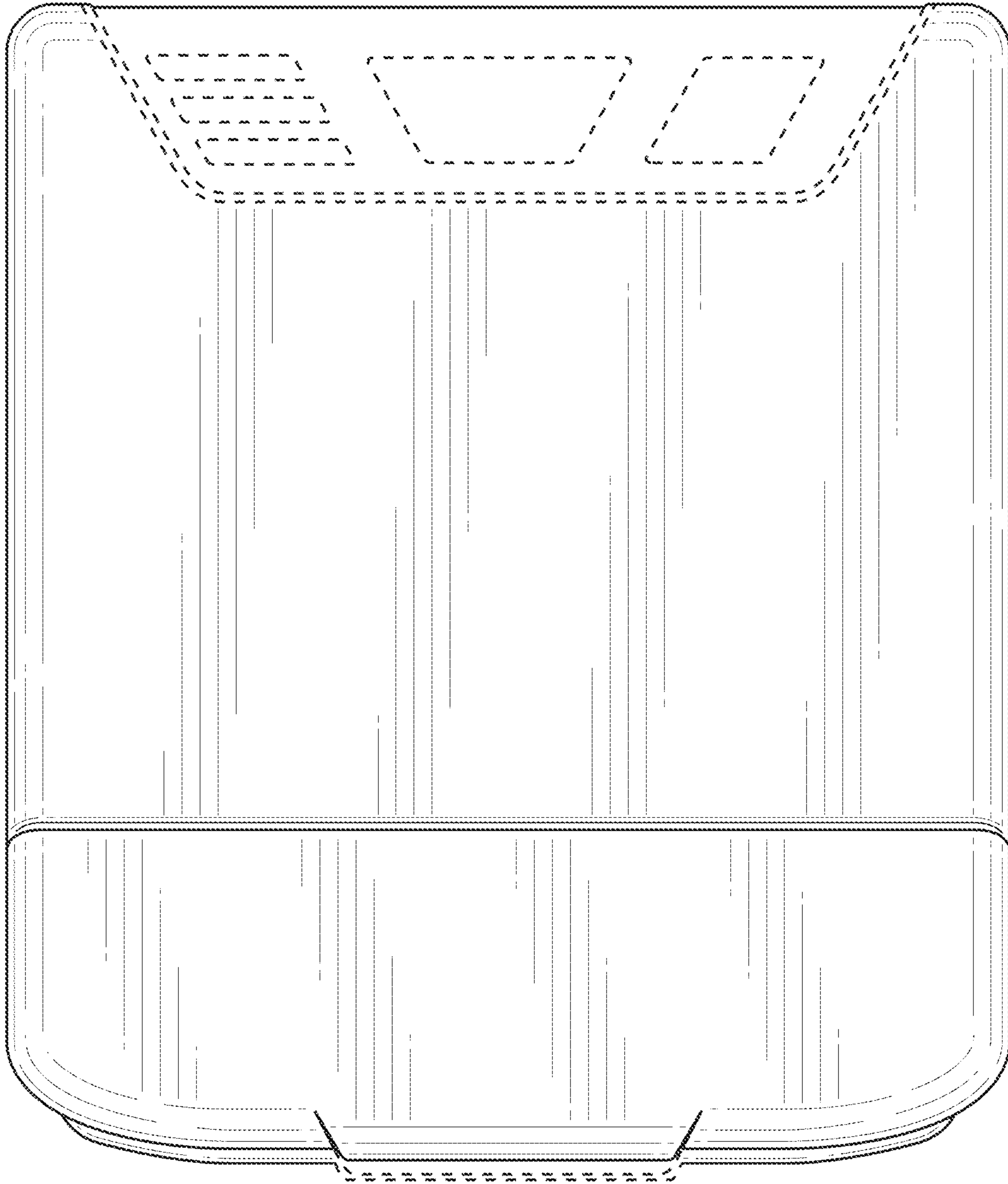


FIG. 6 (Amended)

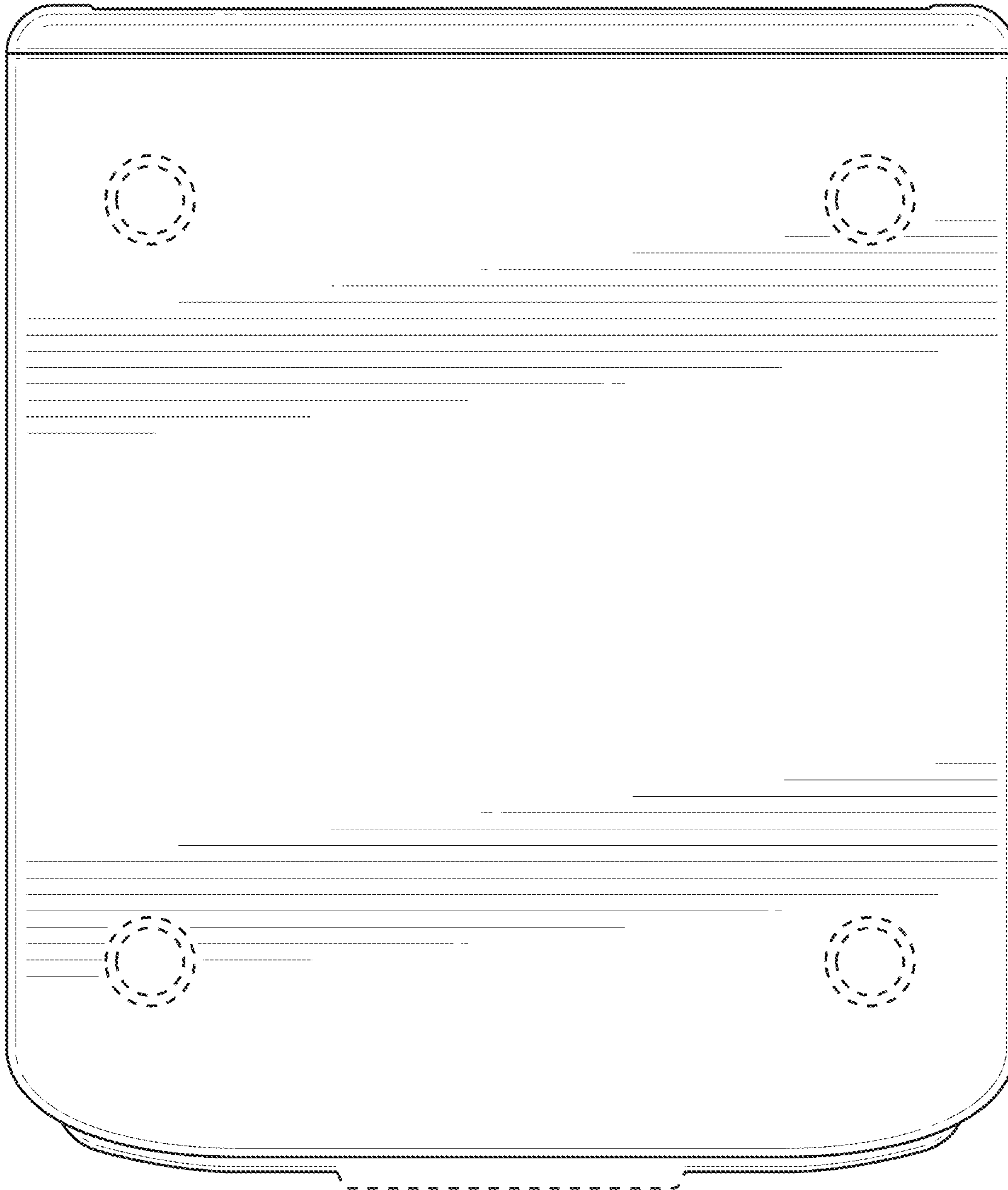


FIG. 7 (Amended)