



US00RE48592E

(19) **United States**
(12) **Reissued Patent**
Terumichi

(10) **Patent Number: US RE48,592 E**
(45) **Date of Reissued Patent: Jun. 15, 2021**

(54) **SPOTLIGHT**
(71) Applicant: **ModuleX Inc.**, Tokyo (JP)
(72) Inventor: **Goro Terumichi**, Tokyo (JP)
(73) Assignee: **MODULEX INC.**, Tokyo (JP)
(21) Appl. No.: **29/651,109**
(22) Filed: **Oct. 10, 2019**

D587,832 S * 3/2009 Bergmann D26/63
D604,880 S * 11/2009 Lovegrove D26/63
7,762,688 B2 * 7/2010 Dixon F16M 11/2014
362/287
D670,846 S * 11/2012 Ramirez D26/63
D703,853 S * 4/2014 Jones D26/63
D703,854 S * 4/2014 Jones D26/63
D748,313 S * 1/2016 Grundl D26/63
D751,746 S * 3/2016 Hoang D26/63
9,593,829 B2 * 3/2017 Dupre F21S 8/036
D787,730 S * 5/2017 Gines D26/63

(Continued)

Related U.S. Patent Documents

Reissue of:

(64) Patent No.: **Des. 800,363**
Issued: **Oct. 17, 2017**
Appl. No.: **29/543,367**
Filed: **Oct. 23, 2015**

Primary Examiner — Darlington Ly

(74) *Attorney, Agent, or Firm* — Browdy and Neimark, PLLC

(57) **CLAIM**

The ornamental design for a spotlight, as shown and described.

(30) **Foreign Application Priority Data**

Apr. 24, 2015 (JP) 2015-009366

(51) **LOC (13) Cl.** **26-03**

(52) **U.S. Cl.**
USPC **D26/63**

(58) **Field of Classification Search**
USPC D26/1, 24, 60, 61, 63–68, 80, 81, 113;
D13/102
CPC F21L 4/00; F21S 4/00; F21S 6/00; F21S
8/003; F21S 8/00; F21V 1/00; F21V
15/00; F21V 21/00; F21V 21/08; F21V
33/00; F21V 14/00; F21V 14/02; F21V
15/01; F21V 21/14; F21V 7/00; F21V
9/00; F21V 17/02; F21V 21/30; F21V
29/00; H01R 33/00

See application file for complete search history.

DESCRIPTION

FIG. 1 is a top, front, and left side perspective view of a [spotlight according to the present] *SPOTLIGHT* showing my new design;

FIG. 2 is a bottom, front, and left side perspective view thereof;

FIG. 3 is a top, front, and right side perspective view thereof;

FIG. 4 is a top, rear, and left side perspective view thereof; and,

FIG. 5 is a cross-sectional view thereof along the [lines] line 5-5 shown in FIG. 3.

The broken lines in the drawings illustrate portions [shown in broken lines do not] of the spotlight that form no part of the claimed design.

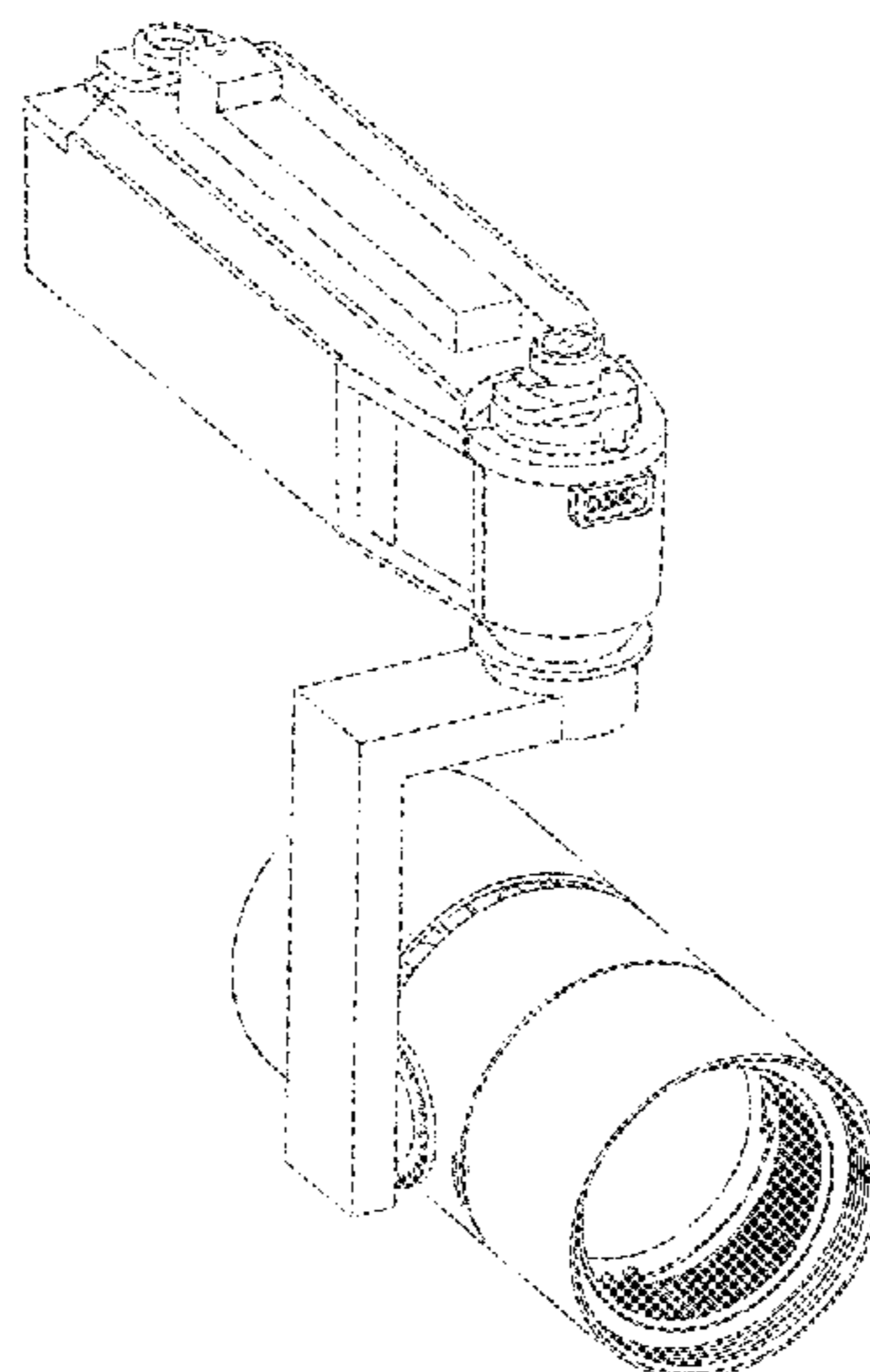
(56) **References Cited**

U.S. PATENT DOCUMENTS

D566,873 S * 4/2008 Grundl D26/63
D568,518 S * 5/2008 Schmidt D26/63

1 Claim, 3 Drawing Sheets

Matter enclosed in heavy brackets [] appears in the original patent but forms no part of this reissue; matter printed in italics indicates the additions made by reissue.



[AMENDED]

(56)

References Cited

U.S. PATENT DOCUMENTS

D788,344 S * 5/2017 Gecchelin D26/63
D794,860 S * 8/2017 Khubani D26/68
D799,093 S * 10/2017 Terumichi D26/63
D800,363 S * 10/2017 Terumichi D26/63
D806,303 S * 12/2017 Matsui D26/65
9,879,847 B2 * 1/2018 Khubani F21V 29/503
D821,624 S * 6/2018 Huyghe D26/63
D821,625 S * 6/2018 Couvreur D26/63
D832,450 S * 10/2018 Lee D24/209

* cited by examiner

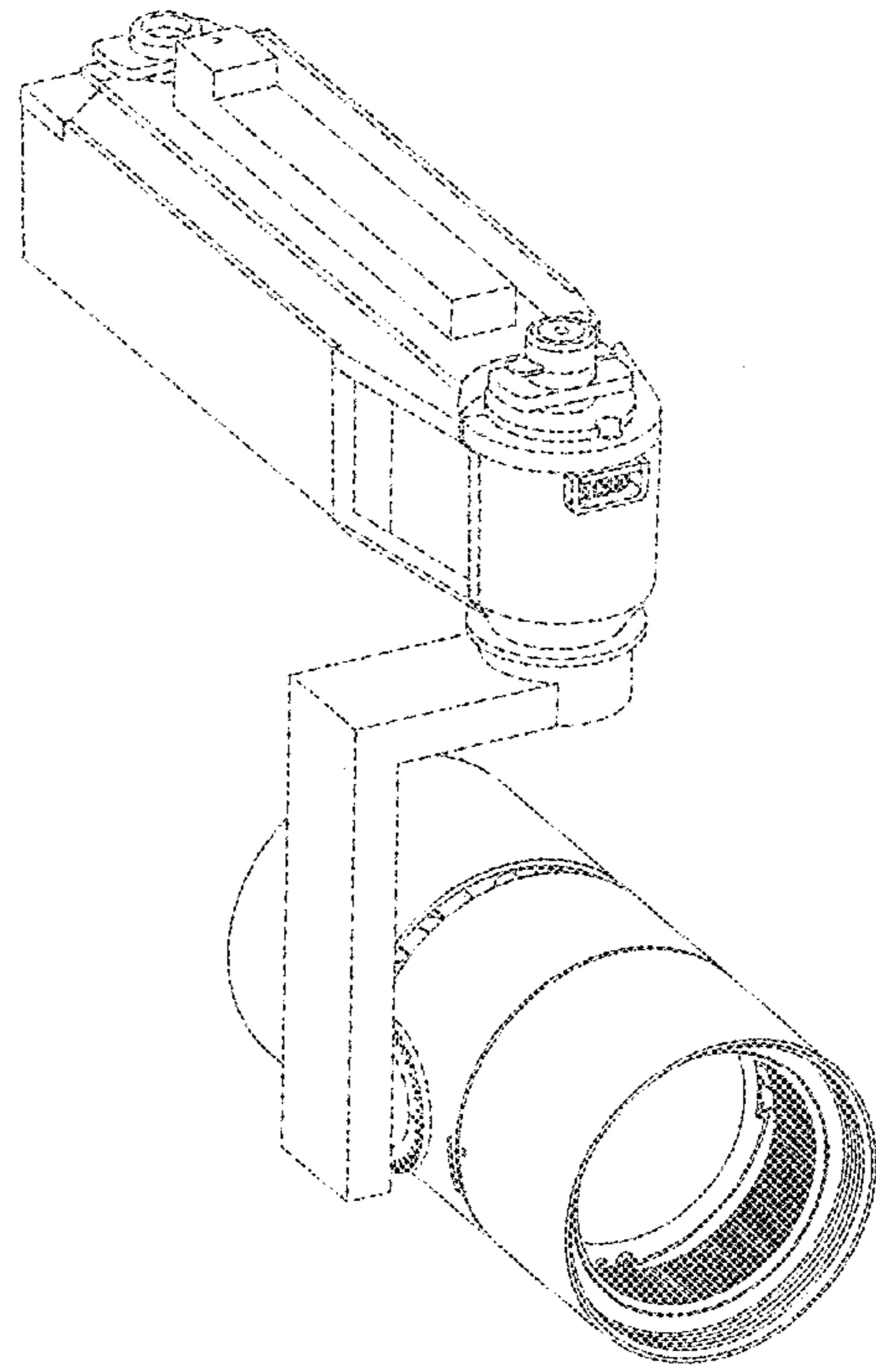


FIG. 1 [AMENDED]

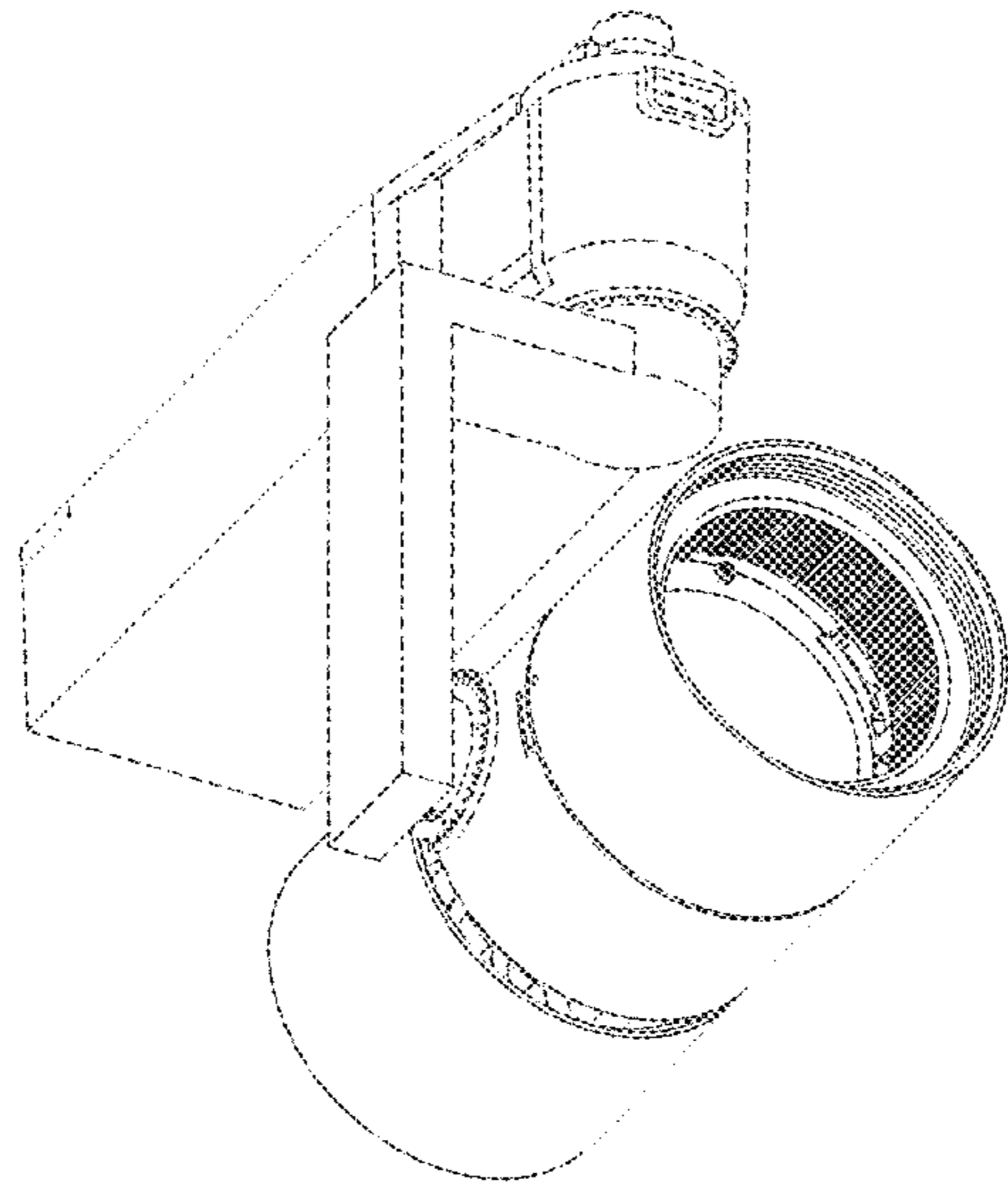


FIG. 2 [AMENDED]

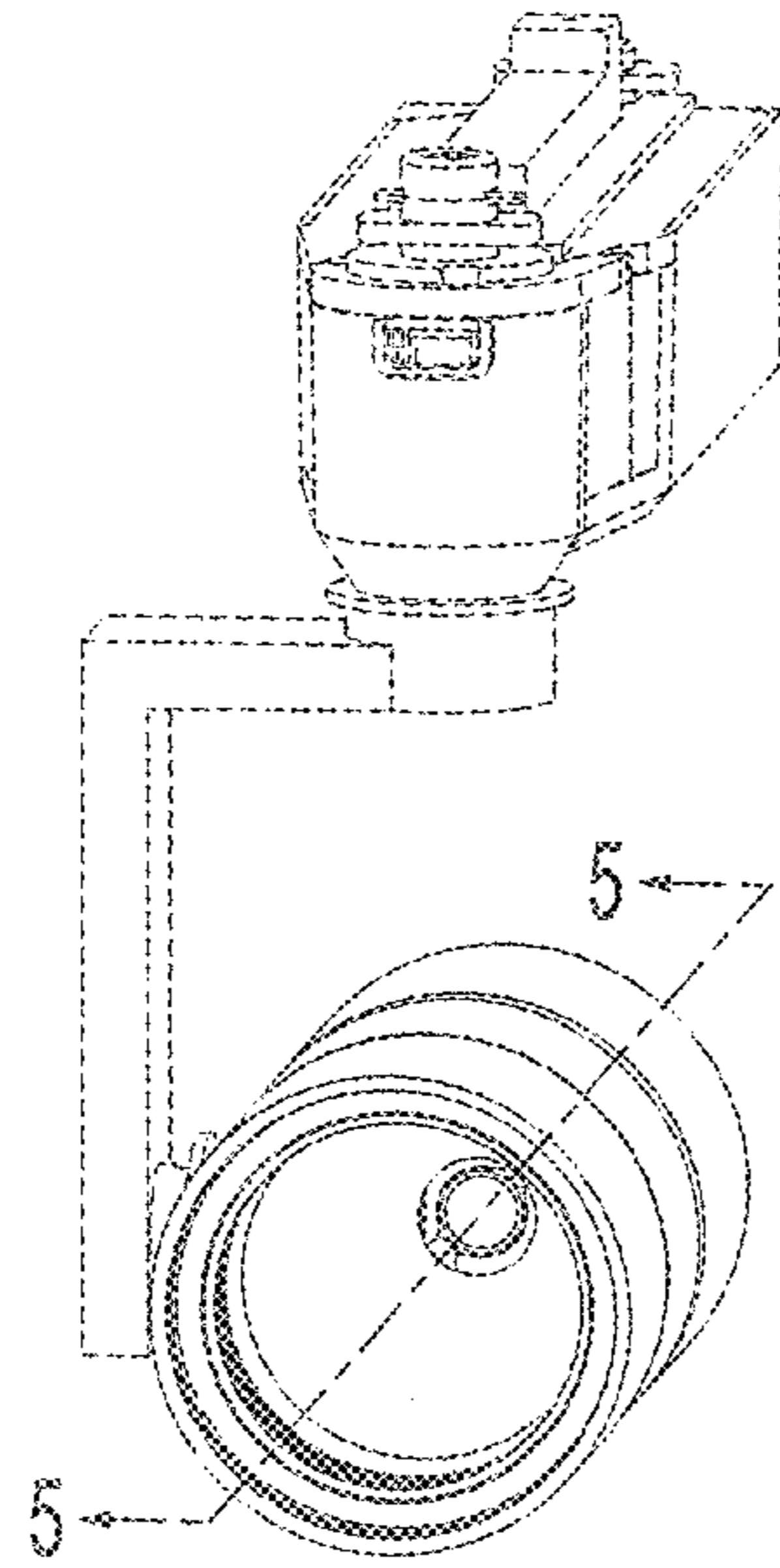


FIG. 3 [AMENDED]

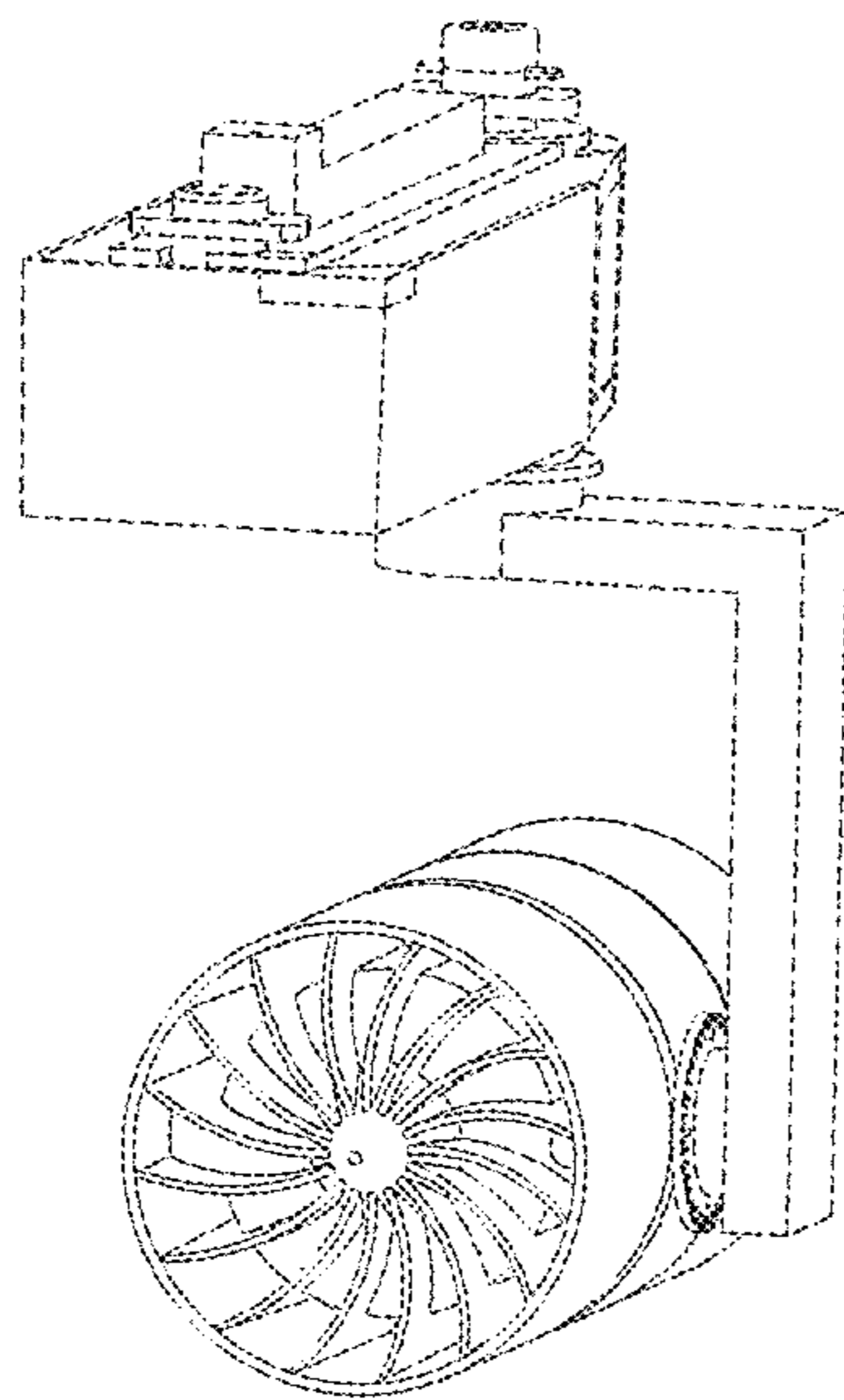


FIG. 4 [AMENDED]

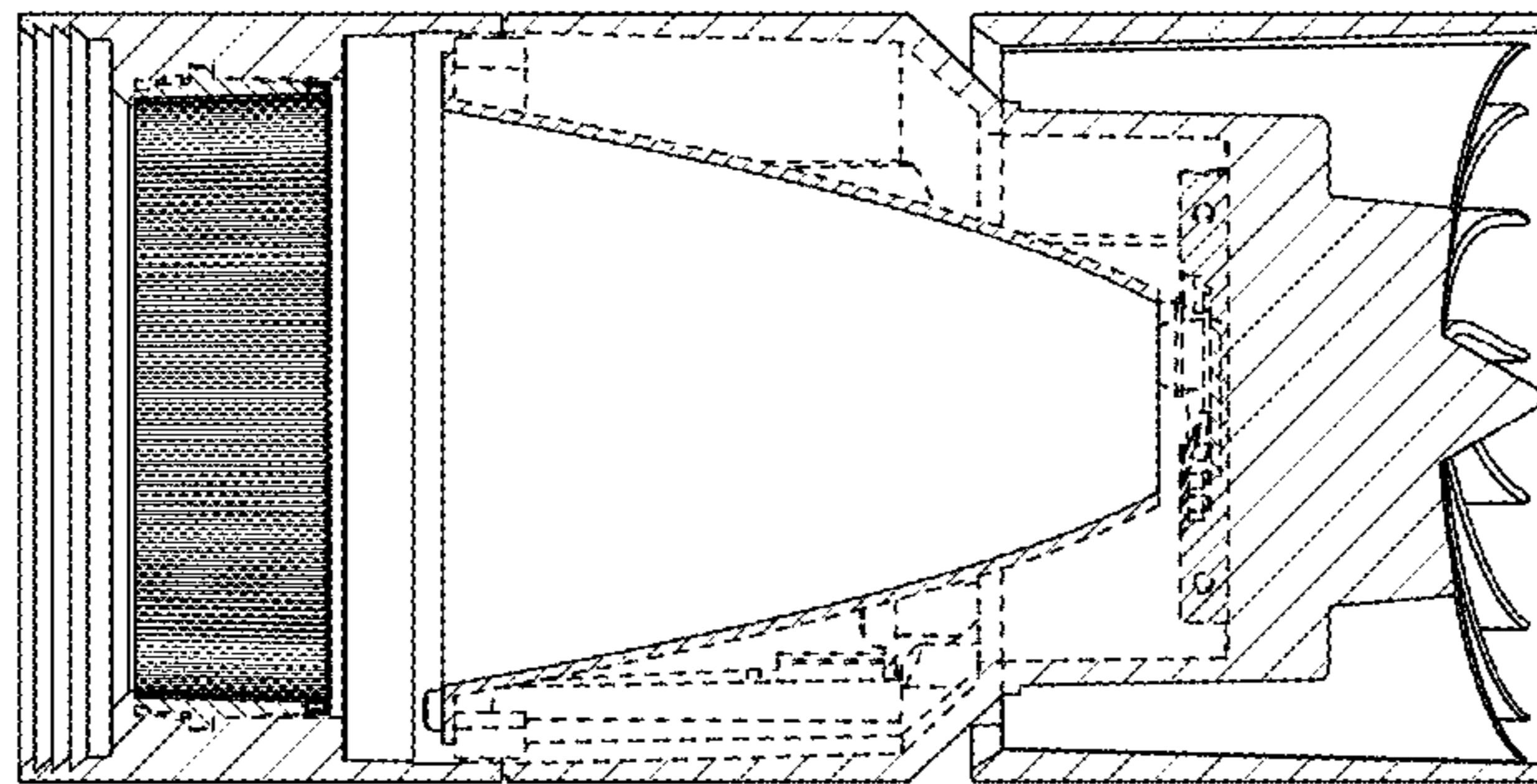


FIG. 5