

US00RE48566E

(19) **United States**
(12) **Reissued Patent**
MacKay et al.

(10) **Patent Number: US RE48,566 E**
(45) **Date of Reissued Patent: May 25, 2021**

(54) **PARKING METER**

(56)

References Cited

(71) Applicant: **J.J. MacKay Canada Limited**, New Glasgow (CA)

(72) Inventors: **George Allan MacKay**, New Glasgow (CA); **James George MacKay**, New Glasgow (CA); **Adrian Ignatius O'Neil**, New Glasgow (CA); **Robert Steven Cosh**, Antigonish (CA); **Darren Scott Cameron**, New Glasgow (CA); **Gregory Emile Chauvin**, Brookside (CA); **David Andrew McMullin**, Ottawa (CA); **Michael Brown**, Ottawa (CA); **Matthew Watson**, Ottawa (CA)

(73) Assignee: **J.J. MacKay Canada Limited**, New Glasgow (CA)

U.S. PATENT DOCUMENTS

480,108 A	8/1892	Loch	
1,189,991 A	7/1916	Mugler	
1,445,771 A	2/1923	Keplinger	
1,818,568 A	8/1931	Melick	
D98,810 S	3/1936	Magee	
D100,875 S	8/1936	Michaels	
D101,237 S	9/1936	Miller	
D107,577 S	12/1937	McGay et al.	
2,118,318 A	5/1938	Magee	
D112,677 S	12/1938	Broussard et al.	
2,161,046 A	6/1939	Hitzeman	
D116,805 S	9/1939	Reznek	
2,229,183 A	1/1941	Mitchell	
2,261,353 A	11/1941	Fedele	
2,289,838 A	7/1942	Herschede et al.	
D152,294 S	1/1949	Siegel et al.	
D152,587 S	2/1949	Brundage	
D154,716 S	8/1949	Simpson	
2,483,805 A	10/1949	Broussard et al.	
2,495,784 A	1/1950	Starts	
D161,888 S *	2/1951	Wilkin	D10/42
D162,698 S	3/1951	Teague	
2,546,433 A	3/1951	Dick	
2,547,272 A	4/1951	Lawson et al.	
2,550,433 A	4/1951	Tichenor	
2,570,920 A	10/1951	Clough et al.	
D166,059 S	2/1952	Yoss	
2,594,388 A	4/1952	Broussard	
2,595,124 A	4/1952	Campbell	
D166,753 S	5/1952	Jones	
2,596,122 A	5/1952	Broussard	
2,596,123 A	5/1952	Broussard	
2,596,124 A	5/1952	Broussard	
2,599,881 A	6/1952	Woodruff	
2,613,792 A	10/1952	Broussard et al.	
2,613,871 A	10/1952	Broussard et al.	
2,618,371 A	11/1952	Broussard	
2,633,960 A	4/1953	Broussard	
D181,359 S	11/1957	Jones	
2,818,371 A	12/1957	Wessinger	
2,822,682 A	2/1958	Sollenberger	
2,832,506 A	4/1958	Hatcher	
D189,106 S	10/1960	Leiderman	
2,956,525 A	10/1960	Blauvelt	
2,985,978 A	5/1961	Breen et al.	
2,988,191 A	6/1961	Grant	
2,995,230 A	8/1961	Moody et al.	
3,018,615 A	1/1962	Minton et al.	
3,056,544 A	10/1962	Sollenberger et al.	

(21) Appl. No.: **29/697,683**

(22) Filed: **Jul. 10, 2019**

Related U.S. Patent Documents

Reissue of:

(64) Patent No.: **Des. 792,788**
Issued: **Jul. 25, 2017**
Appl. No.: **29/551,552**
Filed: **Jan. 14, 2016**

(30) **Foreign Application Priority Data**

Jul. 15, 2015 (CA) 163328

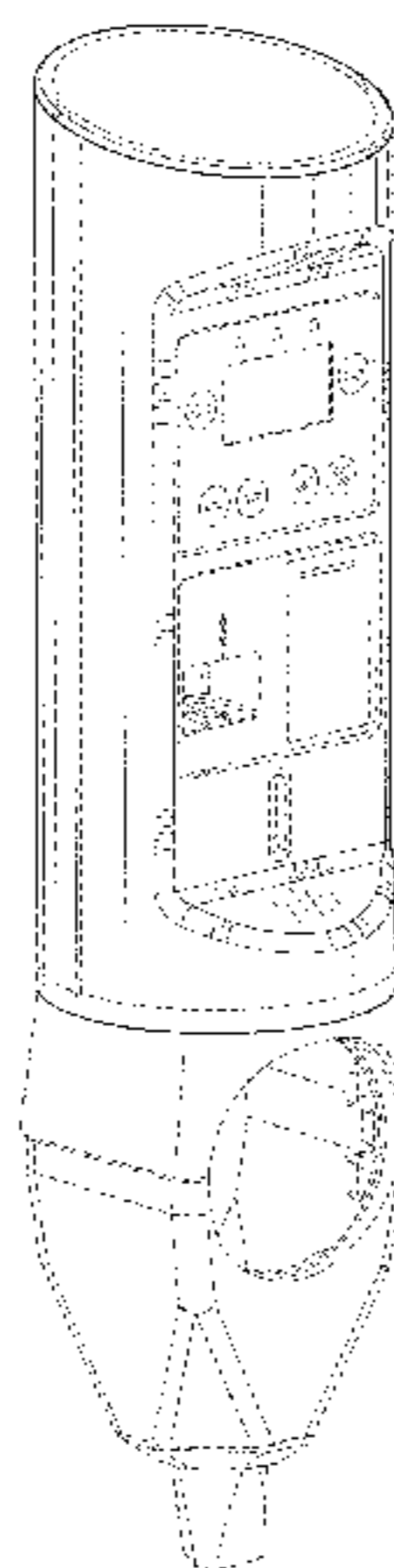
(51) **LOC (13) Cl.** **10-03**

(52) **U.S. Cl.**
USPC **D10/42**

(58) **Field of Classification Search**
USPC D10/40, 41, 42, 43, 44, 49, 50, 52, 75,
D10/80, 103; D13/162, 173, 184, 199;
D99/35, 43

CPC G07F 17/24; G07F 17/242; G07F 17/244;
G07F 17/246; G07C 1/30; G09F 23/00

See application file for complete search history.



Amended

US RE48,566 E

D199,270 S	9/1964	Michaels	5,119,916 A	6/1992	Carmen et al.
D200,216 S	2/1965	Broussard	5,155,614 A	10/1992	Carmen et al.
3,183,411 A	5/1965	Palfi	5,158,166 A	10/1992	Barson
3,199,321 A	8/1965	Sollenberger	5,184,707 A	2/1993	Van Horn et al.
3,204,438 A	9/1965	Sollenberger	5,192,855 A	3/1993	Insulander et al.
3,208,061 A	9/1965	Gervasi et al.	D336,860 S	6/1993	Clough
3,262,540 A	7/1966	Sollenberger et al.	5,222,076 A	6/1993	Ng et al.
3,272,299 A	9/1966	Sollenberger	5,244,070 A	9/1993	Carmen et al.
3,324,647 A	6/1967	Jedynak	D340,038 S	10/1993	Venne et al.
3,373,856 A	3/1968	Kusters et al.	5,259,491 A	11/1993	Ward, II
3,438,031 A	4/1969	Fathauer	5,266,947 A	11/1993	Fujiwara et al.
3,486,324 A	12/1969	Andersson	D342,209 S	12/1993	Clough
3,519,113 A	7/1970	Arzig et al.	5,273,151 A	12/1993	Carmen et al.
3,535,870 A	10/1970	Mitchell	5,287,384 A	2/1994	Avery et al.
3,565,283 A	2/1971	Sciacero et al.	5,293,979 A	3/1994	Levasseur
3,637,277 A	1/1972	Krug et al.	5,298,894 A	3/1994	Cerny et al.
3,666,067 A	5/1972	Kaiser	5,343,237 A	8/1994	Morimoto
3,721,463 A	3/1973	Attwood et al.	D351,193 S	10/1994	Abe
3,770,090 A	11/1973	Fayling et al.	5,351,798 A	10/1994	Hayes
D234,606 S *	3/1975	Gamble D23/366	5,360,095 A	11/1994	Speas
3,941,989 A	3/1976	McLaughlin et al.	D354,835 S	1/1995	Brendel
3,975,934 A	8/1976	Babai et al.	5,382,780 A	1/1995	Carmen
3,982,620 A	9/1976	Kortenhaus	5,402,475 A	3/1995	Lesner, Jr. et al.
3,991,595 A	11/1976	Bahry et al.	5,407,049 A	4/1995	Jacobs
3,999,372 A	12/1976	Welch et al.	D360,734 S	7/1995	Hall
4,031,991 A	6/1977	Malott	D360,737 S *	7/1995	Helbig, Jr. D99/28
4,043,117 A	8/1977	Maresca et al.	5,439,089 A	8/1995	Parker
4,147,707 A	4/1979	Alewelt et al.	5,442,348 A	8/1995	Mushell
4,237,710 A	12/1980	Cardozo	5,454,461 A	10/1995	Jacobs
4,248,225 A	2/1981	Fiedler	D364,165 S *	11/1995	Esslinger D14/213
4,249,648 A	2/1981	Meyer	5,471,139 A	11/1995	Zadoff
4,264,963 A	4/1981	Leach	5,475,373 A	12/1995	Speas
4,306,219 A	12/1981	Main et al.	5,489,014 A	2/1996	Menoud
4,317,180 A	2/1982	Lies	5,500,517 A	3/1996	Cagliostro
4,317,181 A	2/1982	Teza et al.	5,526,662 A	6/1996	Diekhoff et al.
4,323,847 A	4/1982	Karbowski	5,563,491 A	10/1996	Tseng
4,379,334 A	4/1983	Feagins, Jr. et al.	5,568,441 A	10/1996	Sanemitsu
4,409,665 A	10/1983	Tubbs	D375,607 S	11/1996	Hall
4,432,447 A	2/1984	Tanaka	5,570,771 A	11/1996	Jacobs
4,460,080 A	7/1984	Howard	5,573,099 A	11/1996	Church et al.
4,474,281 A	10/1984	Roberts et al.	5,614,892 A	3/1997	Ward, II et al.
4,479,191 A	10/1984	Nojima et al.	5,617,942 A	4/1997	Ward, II et al.
4,483,431 A	11/1984	Pratt	5,619,932 A	4/1997	Efland et al.
D278,689 S	5/1985	Jupe	5,640,002 A	6/1997	Ruppert et al.
4,574,936 A	3/1986	Klinger	5,642,119 A	6/1997	Jacobs
4,639,021 A	1/1987	Hope	5,648,906 A	7/1997	Amirpanahi
D288,441 S *	2/1987	Lalonde 52/27	D381,976 S	8/1997	Sandor et al.
D289,914 S *	5/1987	Willinger D23/210	5,659,306 A	8/1997	Bahar
4,678,994 A	7/1987	Davies	5,687,129 A	11/1997	Kim
4,742,903 A	5/1988	Trummer	D388,231 S	12/1997	Magee et al.
4,749,074 A	6/1988	Ueki et al.	5,710,743 A	1/1998	Dee et al.
D296,795 S	7/1988	Bouve	D391,238 S	2/1998	Sakata
4,763,769 A	8/1988	Levasseur	5,732,812 A	3/1998	Grainger et al.
4,809,838 A	3/1989	Houserman	D393,212 S	4/1998	Lucas
4,812,805 A	3/1989	Lachat et al.	5,737,710 A	4/1998	Anthonyson
4,823,928 A	4/1989	Speas	5,740,050 A	4/1998	Ward, II
4,825,425 A	4/1989	Turner	5,748,103 A	5/1998	Flach et al.
4,827,206 A	5/1989	Speas	D395,133 S	6/1998	Mikami et al.
4,845,484 A	7/1989	Ellsberg	5,761,061 A	6/1998	Amano
4,848,556 A	7/1989	Shah et al.	5,777,302 A	7/1998	Nakagawa et al.
4,854,987 A	7/1989	Day	5,777,951 A	7/1998	Mitschele et al.
4,872,149 A	10/1989	Speas	5,777,957 A	7/1998	Lyman
4,875,598 A	10/1989	Dahl	5,778,067 A	7/1998	Jones et al.
4,880,097 A	11/1989	Speas	D396,655 S	8/1998	Anderson
4,880,406 A	11/1989	Van Horn et al.	5,803,228 A	9/1998	Lucas
4,895,238 A	1/1990	Speas	5,805,083 A	9/1998	Sutton et al.
4,951,799 A	8/1990	Kai	5,806,651 A	9/1998	Carmen et al.
4,967,895 A	11/1990	Speas	D400,115 S	10/1998	Yaron et al.
4,967,985 A	11/1990	Deakin	5,833,042 A	11/1998	Baitch et al.
4,976,630 A	12/1990	Schuder et al.	5,841,369 A	11/1998	Sutton et al.
4,989,714 A	2/1991	Abe	5,842,411 A	12/1998	Johnson
5,027,935 A	7/1991	Berg et al.	5,845,268 A	12/1998	Moore
5,029,094 A	7/1991	Wong	5,852,411 A	12/1998	Jacobs et al.
D319,077 S	8/1991	Arato et al.	D404,025 S	1/1999	Van Horne et al.
5,060,777 A	10/1991	Van Horn et al.	5,903,520 A	5/1999	Dee et al.
5,065,156 A	11/1991	Bernier	5,906,260 A	5/1999	Goodrich
5,076,414 A	12/1991	Kimoto	5,911,763 A	6/1999	Quesada
5,088,073 A	2/1992	Speas	D411,848 S	7/1999	Maruska et al.
5,109,972 A	5/1992	Van Horn et al.	D412,289 S	7/1999	Winwood

US RE48,566 E

D413,311 S	8/1999	Blalock	6,856,922 B1	2/2005	Austin et al.
5,936,527 A	8/1999	Isaacman et al.	6,874,340 B1	4/2005	Berman
5,940,481 A	8/1999	Zeitman	D505,240 S	5/2005	Swaine et al.
5,954,182 A	9/1999	Wei	6,889,899 B2	5/2005	Silberberg
5,966,345 A	10/1999	Dee et al.	D506,509 S	6/2005	Nunn
6,026,946 A	2/2000	McCarty, Jr.	D506,769 S	6/2005	Asai
6,037,880 A	3/2000	Manion	6,914,411 B2	7/2005	Couch et al.
6,052,453 A	4/2000	Sagady et al.	D508,064 S	8/2005	Ramirez
6,078,272 A	6/2000	Jacobs et al.	6,929,179 B2	8/2005	Fulcher et al.
6,081,205 A	6/2000	Williams	D510,751 S	10/2005	Magee et al.
6,081,206 A	7/2000	Kielland	7,004,385 B1	2/2006	Douglass
6,082,153 A	7/2000	Schoell et al.	7,014,355 B2	3/2006	Potter, Sr. et al.
6,098,361 A	8/2000	Roten et al.	7,019,420 B2	3/2006	Kogan et al.
6,107,942 A	8/2000	Yoo et al.	7,019,670 B2	3/2006	Bahar
6,109,418 A	8/2000	Yost	7,027,773 B1	4/2006	McMillin
6,111,522 A	8/2000	Hiltz et al.	7,027,808 B2	4/2006	Wesby
6,116,403 A	9/2000	Kiehl	7,028,888 B2	4/2006	Laskowski
D431,788 S *	10/2000	Tuxen D10/42	7,029,167 B1	4/2006	Mitschele
6,132,152 A	10/2000	Kaibach et al.	7,040,534 B2	5/2006	Turocy et al.
6,147,624 A	11/2000	Clapper	D524,834 S	7/2006	Dozier et al.
6,188,328 B1	2/2001	Ho	7,071,839 B2	7/2006	Patel et al.
6,193,045 B1	2/2001	Ishida et al.	7,104,447 B1	9/2006	Lopez et al.
6,195,015 B1	2/2001	Jacobs et al.	7,114,651 B2	10/2006	Hjelmvik
D439,591 S	3/2001	Reidt et al.	7,181,426 B2	2/2007	Dutta
6,227,343 B1	5/2001	Neathway et al.	7,183,999 B2	2/2007	Matthews et al.
6,229,455 B1	5/2001	Yost et al.	D538,505 S	3/2007	Kang et al.
6,230,868 B1	5/2001	Tuxen et al.	D543,588 S	5/2007	Herbert et al.
6,243,028 B1	6/2001	Krygler et al.	7,222,031 B2	5/2007	Heatley
6,243,029 B1 *	6/2001	Tomer G07B 15/02 235/378	7,222,782 B2	5/2007	Lute, Jr. et al.
6,275,169 B1	8/2001	Krygler et al.	7,237,176 B2	6/2007	Briggs et al.
6,275,170 B1	8/2001	Jacobs et al.	D546,365 S	7/2007	Jost et al.
D447,714 S	9/2001	Cappiello	7,237,716 B2	7/2007	Silberberg
D448,910 S	10/2001	Kit et al.	7,253,747 B2	8/2007	Noguchi
D449,010 S	10/2001	Petrucci	7,284,692 B1	10/2007	Douglass
6,309,098 B1	10/2001	Wong	7,319,974 B1	1/2008	Brusseaux
D450,253 S	11/2001	Marguet	7,330,131 B2	2/2008	Zanotti et al.
6,312,152 B2	11/2001	Dee et al.	D570,920 S	6/2008	Choi
6,321,201 B1	11/2001	Dahl	7,382,238 B2	6/2008	Kavaler
6,340,935 B1	1/2002	Hall	7,382,281 B2	6/2008	Kavaler
6,344,806 B1	2/2002	Katz	7,382,282 B2	6/2008	Kavaler
D454,421 S	3/2002	Jeon et al.	7,388,349 B2	6/2008	Elder et al.
D454,807 S	3/2002	Cappiello	7,388,517 B2	6/2008	Kavaler
6,354,425 B1	3/2002	Tuxen et al.	7,393,134 B2	7/2008	Mitschele
6,366,220 B1	4/2002	Elliott	D575,168 S	8/2008	King et al.
6,373,401 B2	4/2002	Ho	7,419,091 B1	9/2008	Scanlon
6,373,422 B1	4/2002	Mostafa	7,427,931 B1	9/2008	Kavaler et al.
6,373,442 B1	4/2002	Thomas et al.	D579,795 S	11/2008	Martinez et al.
6,380,851 B1	4/2002	Gilbert et al.	7,445,144 B2	11/2008	Schlabach et al.
D460,005 S	7/2002	Jacquet	D582,125 S	12/2008	Kang et al.
D461,728 S	8/2002	Tuxen et al.	D587,141 S	2/2009	King et al.
6,456,491 B1	9/2002	Flannery et al.	D588,916 S *	3/2009	DeMarco D9/504
D463,749 S	10/2002	Petrucci	7,533,802 B1	5/2009	McGinley et al.
6,457,586 B2	10/2002	Yasuda et al.	D596,374 S	7/2009	Kang et al.
6,467,602 B2	10/2002	Bench et al.	7,558,564 B2	7/2009	Wesby
6,477,875 B2	11/2002	Field et al.	7,594,235 B2	9/2009	Moreau
D467,954 S	12/2002	Suzuki et al.	D602,225 S	10/2009	Lute et al.
6,493,676 B1	12/2002	Levy	7,617,120 B2	11/2009	Derasmo et al.
6,505,774 B1	1/2003	Fulcher et al.	D605,145 S	12/2009	Kellar
D471,238 S	3/2003	Showers et al.	7,624,919 B2	12/2009	Meek et al.
D472,362 S	3/2003	Zerman et al.	7,699,224 B2	4/2010	Molé
6,559,776 B2	5/2003	Katz	D615,274 S	5/2010	Kim et al.
6,575,281 B2	6/2003	Lee	D617,799 S	6/2010	Odhe et al.
D477,030 S	7/2003	Kolls et al.	7,739,000 B2	6/2010	Kavaler
D481,516 S	10/2003	Magee et al.	7,748,620 B2	7/2010	Gomez et al.
D485,417 S	1/2004	Magee et al.	7,772,720 B2	8/2010	McGee et al.
6,697,730 B2	2/2004	Dickerson	7,780,072 B1	8/2010	Lute et al.
D488,280 S	4/2004	Zerman et al.	D625,305 S	10/2010	Bleck et al.
D492,080 S	6/2004	Magee et al.	7,806,248 B2	10/2010	Hunter et al.
D492,081 S	6/2004	Magee et al.	D627,814 S	11/2010	Tzeng et al.
6,747,575 B2	6/2004	Chauvin et al.	7,825,826 B2	11/2010	Welch
6,763,094 B2	7/2004	Conn et al.	7,854,310 B2 *	12/2010	King G06Q 20/18 194/350
D494,730 S	8/2004	Magee et al.	7,855,661 B2	12/2010	Ponert
6,791,473 B2	9/2004	Kibria et al.	7,874,482 B2	1/2011	Mitschele
D497,393 S	10/2004	Herbst	D632,740 S	2/2011	Adeline
6,799,387 B2	10/2004	Pippins	D634,417 S *	3/2011	Abbondanzio D23/366
D497,814 S	11/2004	Odinotski et al.	7,933,841 B2	4/2011	Schmeyer et al.
D498,795 S	11/2004	Nunn	D645,223 S	9/2011	Bleck et al.
6,823,317 B1	11/2004	Ouimet et al.	8,035,533 B2	10/2011	Kavaler

US RE48,566 E

8,044,139 B2	10/2011	Youn et al.	D735,439 S	7/2015	Randall	
D652,329 S	1/2012	MacKay et al.	D735,440 S	7/2015	Randall	
D652,872 S	1/2012	Mougin et al.	D735,963 S	8/2015	Randall	
D653,014 S	1/2012	Rohan et al.	D735,964 S	8/2015	Randall	
D653,420 S	1/2012	Rohan et al.	D735,965 S	8/2015	Randall	
D653,421 S	1/2012	Rohan et al.	D739,637 S	9/2015	Randall	
D653,424 S	1/2012	Rohan et al.	D739,638 S	9/2015	Randall	
D654,816 S	2/2012	MacKay et al.	D739,639 S	9/2015	Randall	
D655,263 S	3/2012	Tsai	9,127,964 B2	9/2015	Schwarz et al.	
D656,046 S	3/2012	MacKay et al.	D742,090 S	10/2015	Randall	
8,138,950 B1	3/2012	Leung	9,196,097 B2	11/2015	Jones et al.	
8,144,034 B2	3/2012	Kavaler	D746,015 S	12/2015	King et al.	
D659,557 S	5/2012	Jones et al.	D748,364 S	1/2016	King et al.	
8,184,019 B2	5/2012	Chauvin et al.	D748,888 S	2/2016	King et al.	
D661,603 S	6/2012	MacKay et al.	D749,000 S	2/2016	King et al.	
8,193,540 B2	6/2012	Huang et al.	D750,513 S	3/2016	King et al.	
8,232,894 B2	7/2012	Weiss et al.	D752,552 S *	3/2016	D'Ascanio	D14/216
8,264,401 B1	9/2012	Kavaler	D755,649 S	5/2016	King et al.	
8,279,107 B2	10/2012	Krstanovic et al.	D755,650 S	5/2016	King et al.	
D672,525 S	12/2012	Lee et al.	D756,807 S	5/2016	King et al.	
D674,985 S	1/2013	Lee	D756,808 S	5/2016	King et al.	
D677,035 S	2/2013	Lee et al.	D762,040 S	7/2016	King et al.	
8,395,532 B2	3/2013	Chauvin et al.	9,391,474 B2	7/2016	Hunter et al.	
8,402,281 B2	3/2013	Dahl	9,424,691 B2	8/2016	King et al.	
D680,156 S	4/2013	Hernandez et al.	9,508,198 B1	11/2016	King et al.	
D681,717 S	5/2013	Helgesson et al.	D779,771 S *	2/2017	King	D99/28
8,450,627 B2	5/2013	Mittleman et al.	D779,772 S *	2/2017	King	D99/28
D683,779 S	6/2013	Uemachi et al.	D779,773 S *	2/2017	King	D99/28
D683,794 S	6/2013	Randall	D779,774 S *	2/2017	King	D99/28
D683,795 S	6/2013	Randall	D781,024 S *	3/2017	King	D99/28
D684,745 S	6/2013	Reuter et al.	D791,621 S *	7/2017	Loye	D10/42
D684,870 S	6/2013	Jones et al.	D795,523 S *	8/2017	King	D99/28
8,479,909 B2	7/2013	King et al.	D813,059 S *	3/2018	MacKay	D10/42
8,487,754 B2	7/2013	Mitschele	D856,825 S *	8/2019	Ireland	D10/42
D687,809 S *	8/2013	Bergmann	D863,988 S *	10/2019	MacKay	D10/42
8,513,832 B2	8/2013	Hunter et al.	2001/0012241 A1	8/2001	Dee et al.	
D690,771 S	10/2013	Randall	2001/0047278 A1	11/2001	Brookner et al.	
D691,165 S	10/2013	Attoma	2001/0051531 A1	12/2001	Singhal et al.	
8,566,159 B2	10/2013	King et al.	2002/0008639 A1	1/2002	Dee	
D692,784 S	11/2013	Anderssen et al.	2002/0030606 A1	3/2002	Chauvin et al.	
D693,983 S	11/2013	Budde et al.	2002/0062172 A1	5/2002	Bench et al.	
8,589,216 B2	11/2013	Yu et al.	2002/0074344 A1	6/2002	Long et al.	
8,590,687 B2	11/2013	King et al.	2002/0080013 A1	6/2002	Anderson, III et al.	
8,595,054 B2	11/2013	King et al.	2002/0111768 A1	8/2002	Ghorayeb et al.	
D696,484 S	12/2013	Lee et al.	2002/0134645 A1	9/2002	Alexander et al.	
D696,485 S	12/2013	Lee et al.	2003/0017904 A1	1/2003	Lee	
8,621,245 B2	12/2013	Shearer et al.	2003/0092387 A1	5/2003	Hjelmvik	
8,631,921 B2	1/2014	Jones et al.	2003/0112151 A1	6/2003	Chauvin et al.	
8,662,279 B2	3/2014	Jones et al.	2003/0112597 A1	6/2003	Smith	
8,666,801 B2	3/2014	Cho	2003/0117904 A1	6/2003	Lank et al.	
D702,913 S	4/2014	Budde et al.	2003/0121754 A1	7/2003	King	
D702,914 S	4/2014	Budde et al.	2003/0128010 A1	7/2003	Hsu	
8,684,158 B2	4/2014	Jones et al.	2003/0128136 A1	7/2003	Spier et al.	
D705,090 S	5/2014	MacKay et al.	2003/0132840 A1	7/2003	Bahar	
8,727,207 B1	5/2014	Church et al.	2003/0135407 A1	7/2003	Reinhardt et al.	
D707,140 S	6/2014	King et al.	2003/0140531 A1	7/2003	Pippins	
D707,141 S	6/2014	King et al.	2003/0144905 A1	7/2003	Smith	
D707,142 S	6/2014	King et al.	2003/0144972 A1	7/2003	Cordery et al.	
8,749,403 B2	6/2014	King et al.	2003/0169183 A1	9/2003	Korepanov et al.	
8,770,371 B2 *	7/2014	MacKay	2003/0179107 A1	9/2003	Kibria et al.	
		G07B 15/00	2003/0220835 A1	11/2003	Barnes, Jr.	
		194/350	2003/0222792 A1	12/2003	Berman et al.	
8,807,317 B2	8/2014	MacKay et al.	2003/0234888 A1	12/2003	Hong et al.	
D714,165 S	9/2014	Salama	2004/0011099 A1	1/2004	Andersson	
D716,156 S	10/2014	Jones et al.	2004/0016796 A1	1/2004	Hanna et al.	
D716,157 S	10/2014	MacKay et al.	2004/0039632 A1	2/2004	Han et al.	
D716,515 S	10/2014	Cha et al.	2004/0040028 A1	2/2004	Moreau	
8,862,494 B2	10/2014	King et al.	2004/0068434 A1	4/2004	Kanekon	
D716,671 S	11/2014	Jones et al.	2004/0084278 A1	5/2004	Harris et al.	
D722,740 S	2/2015	Budde et al.	2004/0094619 A1	5/2004	Silberberg	
D724,290 S	3/2015	Cha et al.	2004/0160905 A1	8/2004	Bernier et al.	
D724,811 S	3/2015	Reitinger	2004/0181496 A1	9/2004	Odinotski et al.	
D724,812 S	3/2015	Cha et al.	2004/0232878 A1	11/2004	Couch et al.	
D725,504 S *	3/2015	McEneany	2004/0243526 A1	12/2004	Krygler et al.	
		D10/42	2004/0254900 A1	12/2004	Reinhard	
D728,190 S	4/2015	Sheley	2004/0262379 A1	12/2004	Gomes	
9,002,723 B2	4/2015	King et al.	2004/0263117 A1	12/2004	Kogan et al.	
9,047,712 B2	6/2015	King et al.	2004/0264302 A1	12/2004	Ward, II	
D733,585 S	7/2015	Jones et al.	2005/0029340 A1	2/2005	Ferraro	
D735,437 S	7/2015	Randall				
D735,438 S	7/2015	Randall				

US RE48,566 E

2005/0035740 A1	2/2005	Elder et al.	2010/0153193 A1	6/2010	Ashby et al.
2005/0040951 A1	2/2005	Zalewski et al.	2010/0161489 A1	6/2010	Goodall et al.
2005/0068201 A1	3/2005	Wulff et al.	2010/0187300 A1	7/2010	Ramachandran et al.
2005/0155839 A1	7/2005	Banks et al.	2010/0188932 A1	7/2010	Hanks et al.
2005/0168352 A1	8/2005	Tomer	2010/0241564 A1	9/2010	Miller et al.
2005/0178639 A1	8/2005	Brumfield et al.	2010/0243729 A1	9/2010	Russell et al.
2005/0192911 A1	9/2005	Mattern	2010/0328104 A1	12/2010	Groft
2006/0020487 A1	1/2006	Spittel et al.	2010/0332394 A1	12/2010	Ioli
2006/0021848 A1	2/2006	Smith	2011/0022427 A1	1/2011	Dayan
2006/0114159 A1	6/2006	Yoshikawa et al.	2011/0037562 A1	2/2011	Braukmann et al.
2006/0116972 A1	6/2006	Wong	2011/0057815 A1	3/2011	King et al.
2006/0136131 A1	6/2006	Dugan et al.	2011/0060653 A1	3/2011	King et al.
2006/0149684 A1	7/2006	Matsuura et al.	2011/0062230 A1	3/2011	Ward, II et al.
2006/0152349 A1	7/2006	Ratnakar	2011/0063133 A1	3/2011	Keller et al.
2006/0152385 A1	7/2006	Mandy	2011/0066297 A1	3/2011	Saberi et al.
2006/0173733 A1	8/2006	Fancher	2011/0093314 A1	4/2011	Redmann et al.
2006/0255119 A1	11/2006	Marchasin et al.	2011/0122036 A1	5/2011	Leung et al.
2006/0259354 A1	11/2006	Yan	2011/0133613 A1	6/2011	Descamps et al.
2006/0267799 A1	11/2006	Mendelson	2011/0158331 A1	6/2011	Kavaler et al.
2007/0011700 A1	1/2007	Johnson	2011/0203901 A1	8/2011	King et al.
2007/0016539 A1	1/2007	Groft et al.	2011/0205087 A1	8/2011	Kell et al.
2007/0017265 A1	1/2007	Andersson	2011/0221624 A1	9/2011	Kavaler
2007/0029825 A1	2/2007	Franklin et al.	2011/0241442 A1	10/2011	Mittleman et al.
2007/0044523 A1	3/2007	Davis	2011/0261548 A1	10/2011	Gandhi
2007/0046651 A1	3/2007	Sinclair et al.	2011/0276519 A1	11/2011	MacKay et al.
2007/0061155 A1	3/2007	Ji et al.	2011/0313822 A1	12/2011	Burdick
2007/0094153 A1	4/2007	Ferraro	2011/0320243 A1	12/2011	Khan
2007/0114849 A1	5/2007	Falik et al.	2012/0026015 A1	2/2012	Kavaler
2007/0119682 A1	5/2007	Banks et al.	2012/0158466 A1	6/2012	John
2007/0129974 A1	6/2007	Chen et al.	2012/0173171 A1	7/2012	Bajwa et al.
2007/0136128 A1	6/2007	Janacek et al.	2012/0208521 A1	8/2012	Häger et al.
2007/0171069 A1	7/2007	Allen	2012/0222935 A1	9/2012	MacKay et al.
2007/0184852 A1	8/2007	Johnson et al.	2012/0273322 A1	11/2012	MacKay et al.
2007/0208499 A1	9/2007	Kwong	2012/0285790 A1	11/2012	Jones et al.
2007/0210935 A1	9/2007	Yost	2012/0285791 A1	11/2012	Jones et al.
2007/0276724 A1	11/2007	Catt	2012/0285792 A1	11/2012	Jones et al.
2007/0285281 A1	12/2007	Welch	2012/0285793 A1	11/2012	Jones et al.
2008/0071611 A1	3/2008	Lovett	2012/0286036 A1	11/2012	Jones et al.
2008/0093454 A1	4/2008	Yamazaki et al.	2012/0286968 A1	11/2012	Jones et al.
2008/0147268 A1	6/2008	Fuller	2012/0292385 A1	11/2012	MacKay et al.
2008/0158010 A1	7/2008	Nath et al.	2013/0005445 A1	1/2013	Walker et al.
2008/0165030 A1	7/2008	Kuo et al.	2013/0021201 A1	1/2013	del Castillo et al.
2008/0208680 A1	8/2008	Cho	2013/0027218 A1	1/2013	Schwarz et al.
2008/0218383 A1	9/2008	Franklin et al.	2013/0085928 A1	4/2013	McKinney
2008/0238715 A1	10/2008	Cheng et al.	2013/0099943 A1	4/2013	Subramanya
2008/0245638 A1	10/2008	King et al.	2013/0124270 A1	5/2013	Tziperman et al.
2008/0257965 A1	10/2008	Klein et al.	2013/0238406 A1	9/2013	King et al.
2008/0265019 A1	10/2008	Artino et al.	2013/0285455 A1	10/2013	Hunter et al.
2008/0266138 A1	10/2008	Ponert	2014/0040028 A1	2/2014	King et al.
2008/0270227 A1	10/2008	Al Amri	2014/0058805 A1	2/2014	Paesler et al.
2008/0277468 A1	11/2008	Mitschele	2014/0108107 A1	4/2014	Jones et al.
2008/0289030 A1	11/2008	Poplett	2014/0129158 A1	5/2014	Shea
2008/0291054 A1	11/2008	Groft	2014/0172518 A1	6/2014	King et al.
2008/0296365 A1	12/2008	Schliebe	2014/0174881 A1	6/2014	King et al.
2008/0319837 A1	12/2008	Mitschele	2014/0210646 A1	7/2014	Subramanya
2009/0026842 A1	1/2009	Hunter et al.	2014/0213176 A1	7/2014	Mendelson
2009/0032368 A1	2/2009	Hunter et al.	2014/0214499 A1	7/2014	Hudson et al.
2009/0049875 A1	2/2009	Buhl et al.	2014/0231505 A1	8/2014	King et al.
2009/0057398 A1	3/2009	Douglass et al.	2014/0279565 A1	9/2014	Trump et al.
2009/0083149 A1	3/2009	Maekawa et al.	2014/0289025 A1	9/2014	King et al.
2009/0095593 A1	4/2009	King et al.	2014/0319211 A1	10/2014	MacKay et al.
2009/0099761 A1	4/2009	Davis et al.	2015/0084786 A1	3/2015	King et al.
2009/0102726 A1	4/2009	Imano et al.	2015/0106172 A1	8/2015	Salama
2009/0109062 A1	4/2009	An	2015/0235503 A1	8/2015	King et al.
2009/0137204 A1	5/2009	Chang	2016/0012418 A1	1/2016	MacKay et al.
2009/0159674 A1	6/2009	King et al.	2016/0268838 A1	9/2016	Hunter et al.
2009/0183966 A1	7/2009	King et al.	2016/0321714 A1	11/2016	King et al.
2009/0192950 A1	7/2009	King et al.	2016/0371915 A1	12/2016	MacKay et al.
2009/0199966 A1	9/2009	Coleman et al.	2017/0034600 A1	2/2017	King et al.
2009/0254438 A1	10/2009	Johnson, Jr. et al.	2018/0322534 A1*	11/2018	King G09F 23/00
2009/0267732 A1	10/2009	Chauvin et al.			
2009/0284907 A1	11/2009	Regimbal et al.			
2009/0287578 A1	11/2009	Paluszek et al.			
2009/0315720 A1	12/2009	Clement et al.			
2010/0019936 A1	1/2010	Kaveler			
2010/0025459 A1	2/2010	Yamada			
2010/0026522 A1	2/2010	Ward, II			
2010/0030629 A1	2/2010	Ward, II			
2010/0106517 A1	4/2010	Kociubinski et al.			

FOREIGN PATENT DOCUMENTS

CA	2373400 A1 *	8/2001	G07B 15/02
FR	2600448 A1 *	12/1987	G06Q 20/0652

OTHER PUBLICATIONS

US 8,636,133 B2, 01/2014, MacKay et al. (withdrawn)

* cited by examiner

Primary Examiner — Darlington Ly
(74) *Attorney, Agent, or Firm* — LKGlobal | Lorenz & Kopf, LLP

(57) **CLAIM**

The ornamental design for a parking meter, as shown and described.

DESCRIPTION

FIG. 1 is a front perspective view of a first embodiment of a parking meter;
FIG. 2 is a rear perspective view of a first embodiment of a parking meter;
FIG. 3 is a left side view of a first embodiment of a parking meter;
FIG. 4 is a front view of a first embodiment of a parking meter;
FIG. 5 is a right side view of a first embodiment of a parking meter;

FIG. 6 is a rear view of a first embodiment of a parking meter;
FIG. 7 is a top view of a first embodiment of a parking meter;
FIG. 8 is a front perspective view of a second embodiment of a parking meter;
FIG. 9 is a rear perspective view of a second embodiment of a parking meter;
FIG. 10 is a left side view of a second embodiment of a parking meter;
FIG. 11 is a front view of a second embodiment of a parking meter;
FIG. 12 is a right side view of a second embodiment of a parking meter;
FIG. 13 is a rear view of a second embodiment of a parking meter; and,
FIG. 14 is a top view of a second embodiment of a parking meter.

The broken lines showing portions of the parking meter are included for the purpose of illustrating portions of the article and form no part of the claimed design.

1 Claim, 8 Drawing Sheets

Matter enclosed in heavy brackets [] appears in the original patent but forms no part of this reissue; matter printed in italics indicates the additions made by reissue.

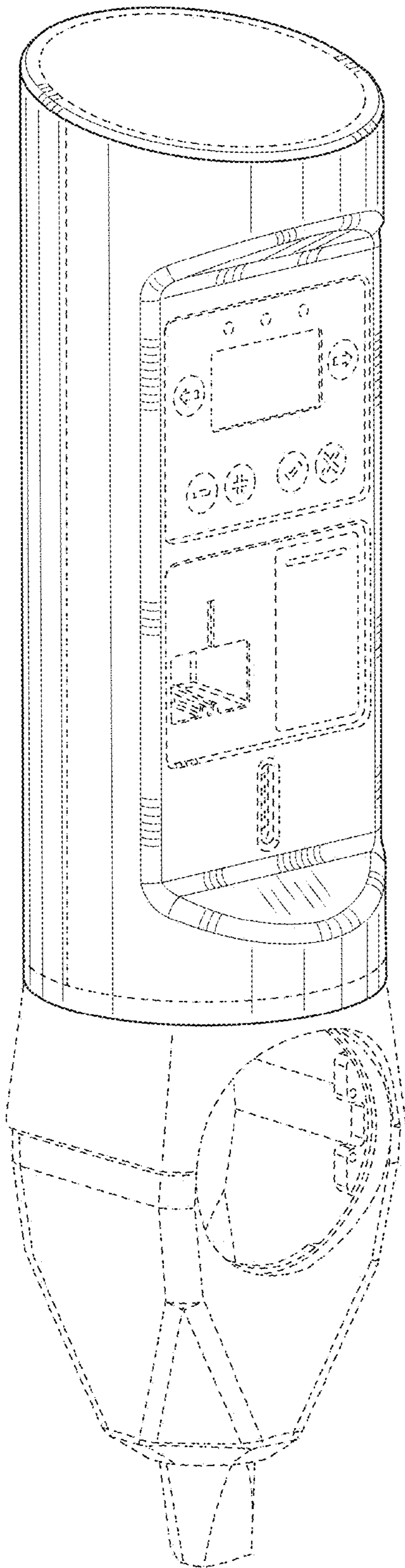


FIG. 1
Amended

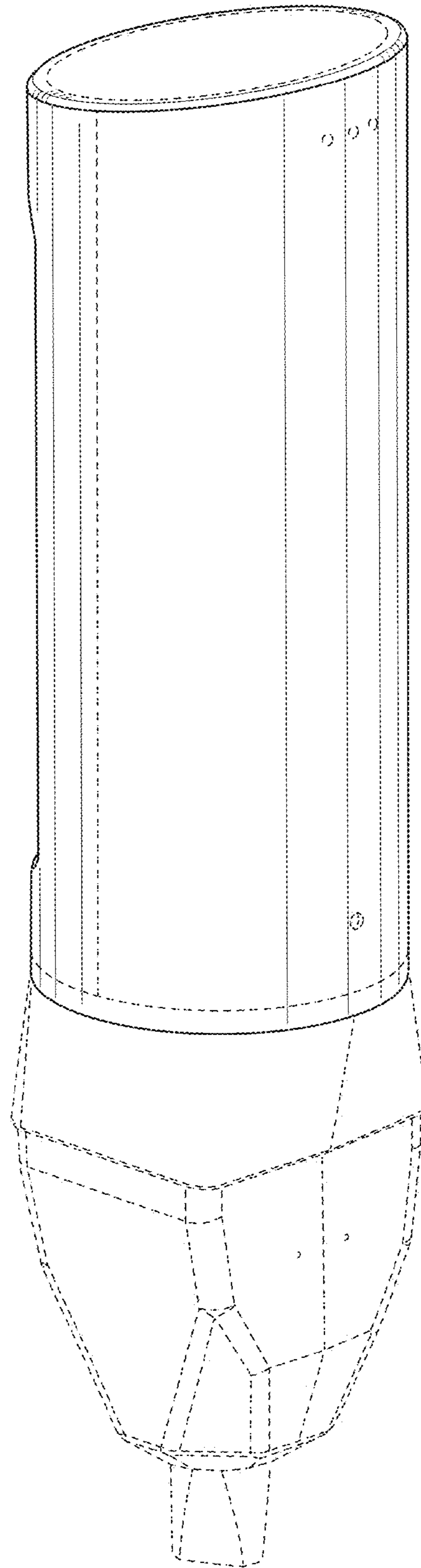


FIG. 2
Amended

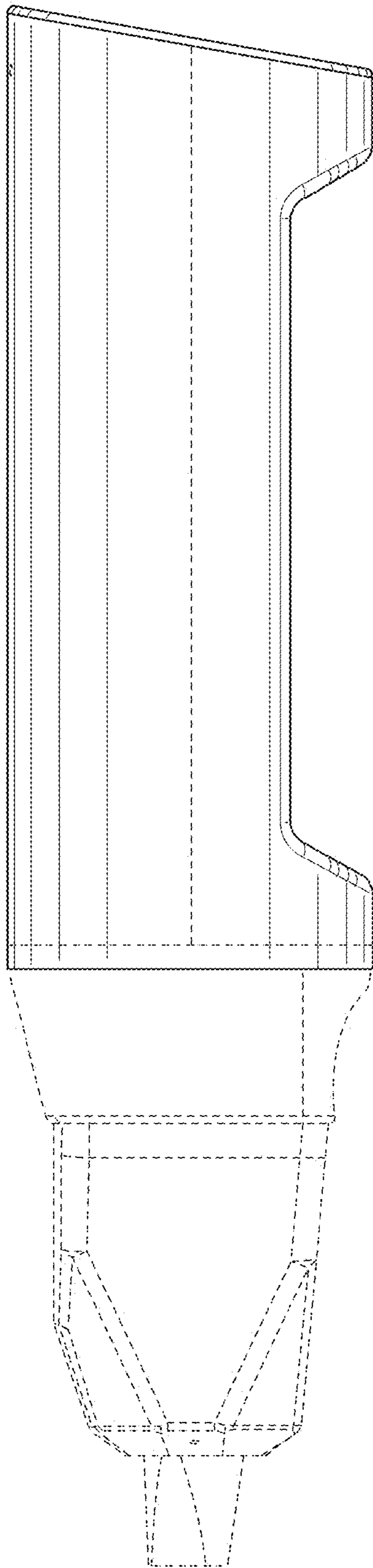


FIG. 3
Amended

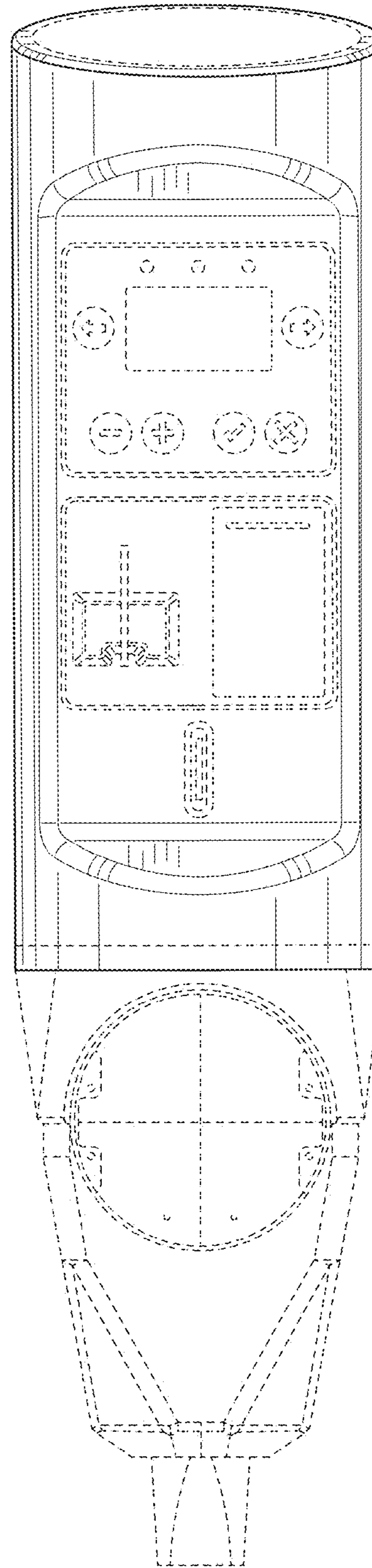


FIG. 4
Amended

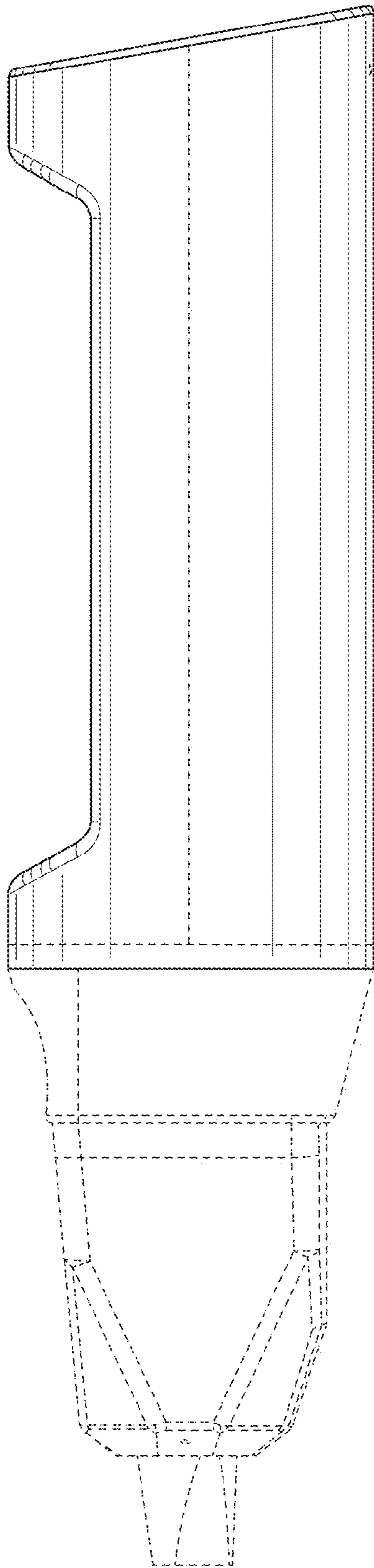


FIG. 5
Amended

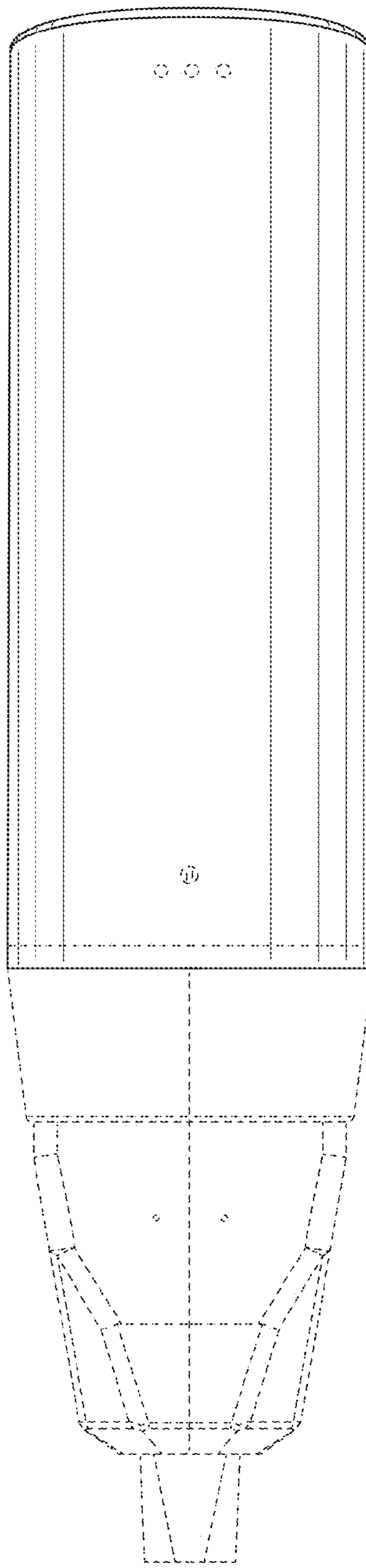


FIG. 6
Amended

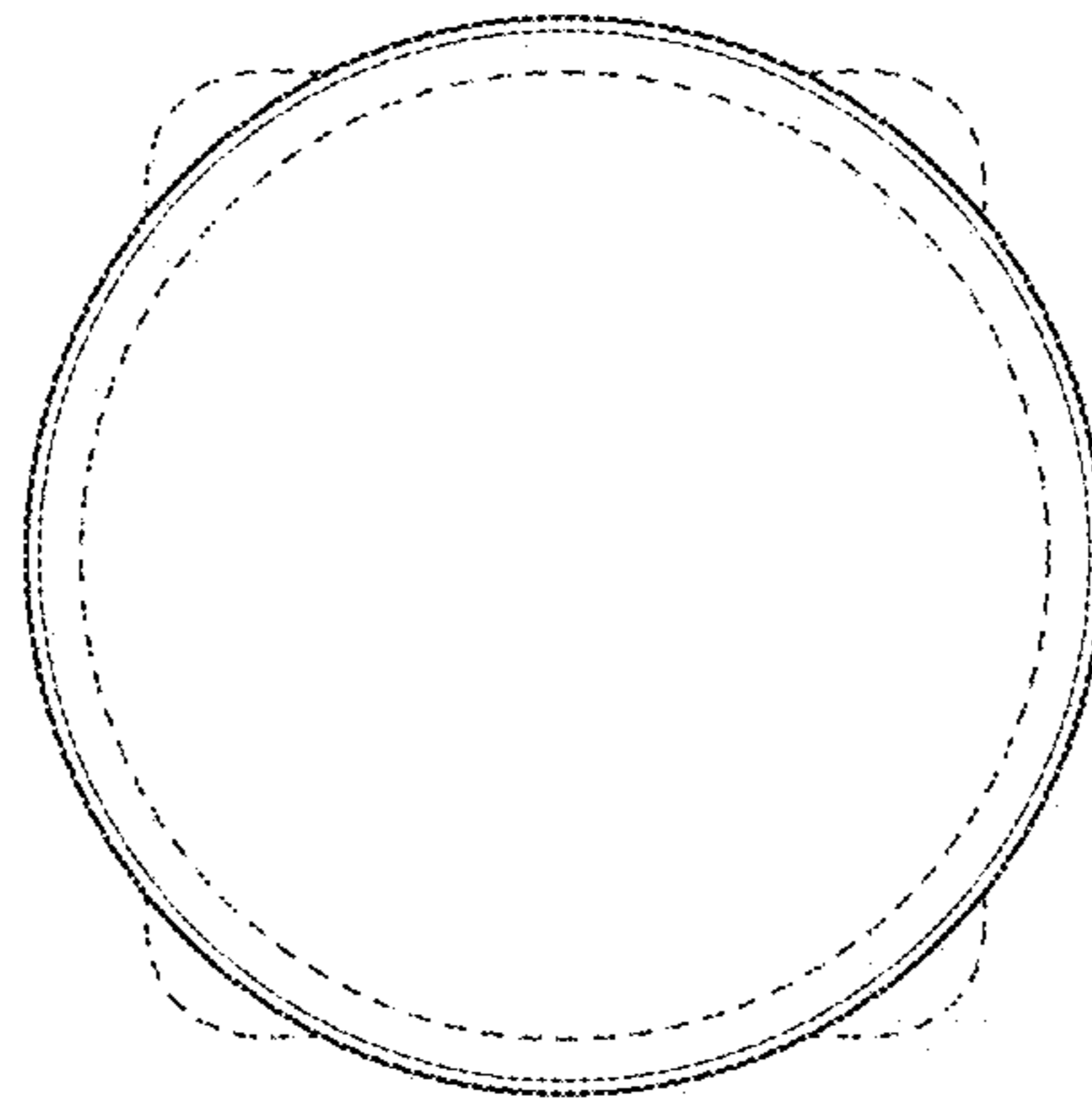


FIG. 7
Amended

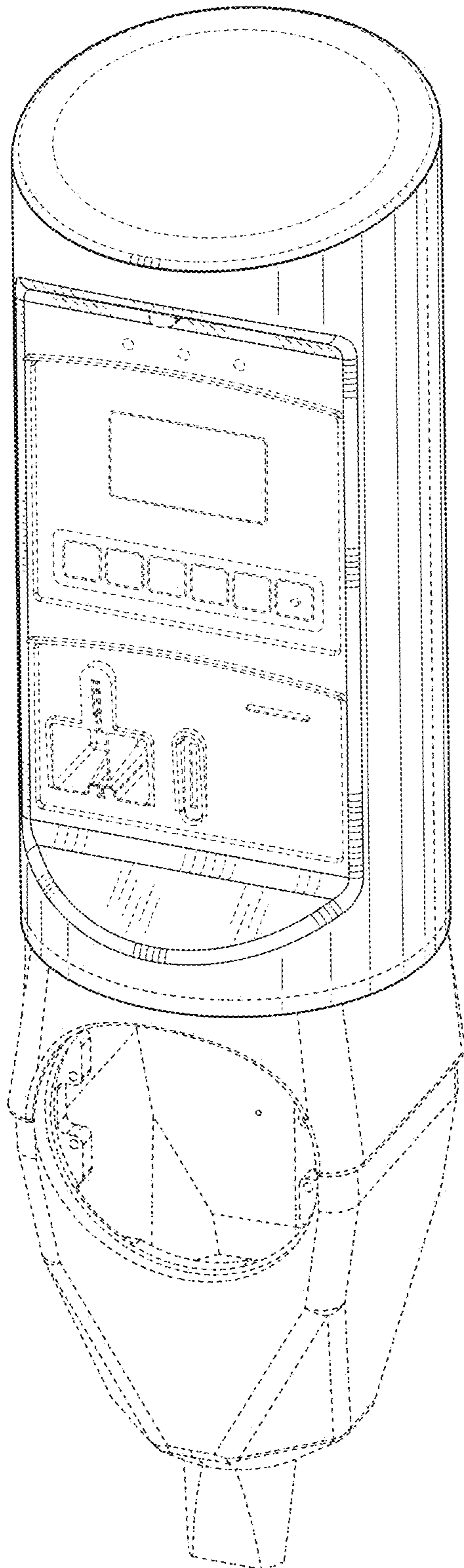


FIG. 8
Amended

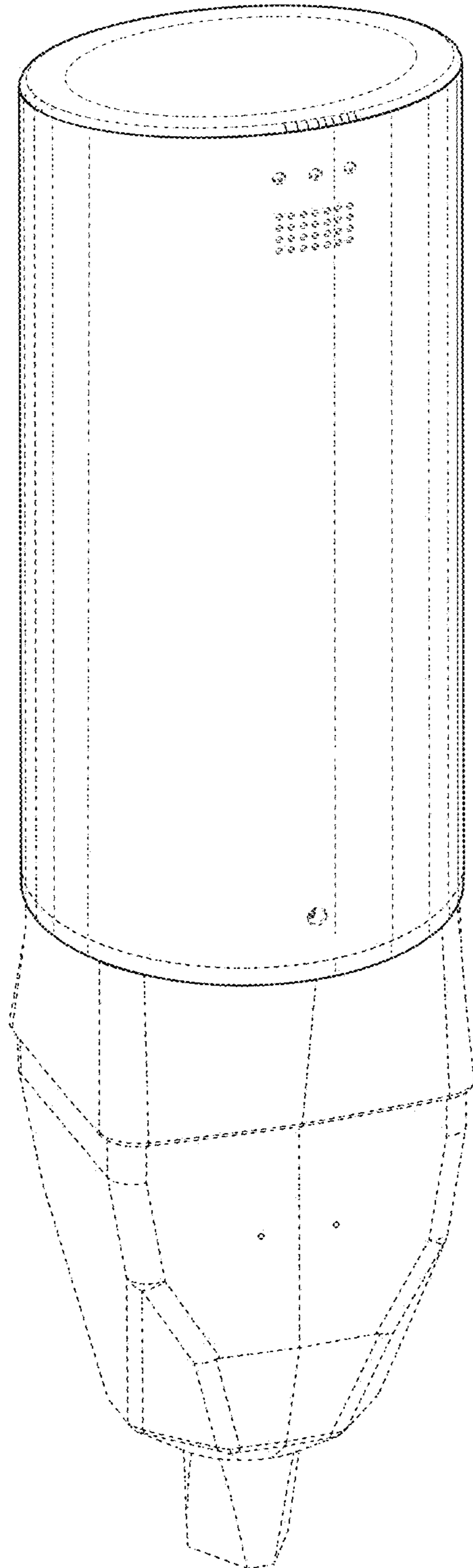


FIG. 9
Amended

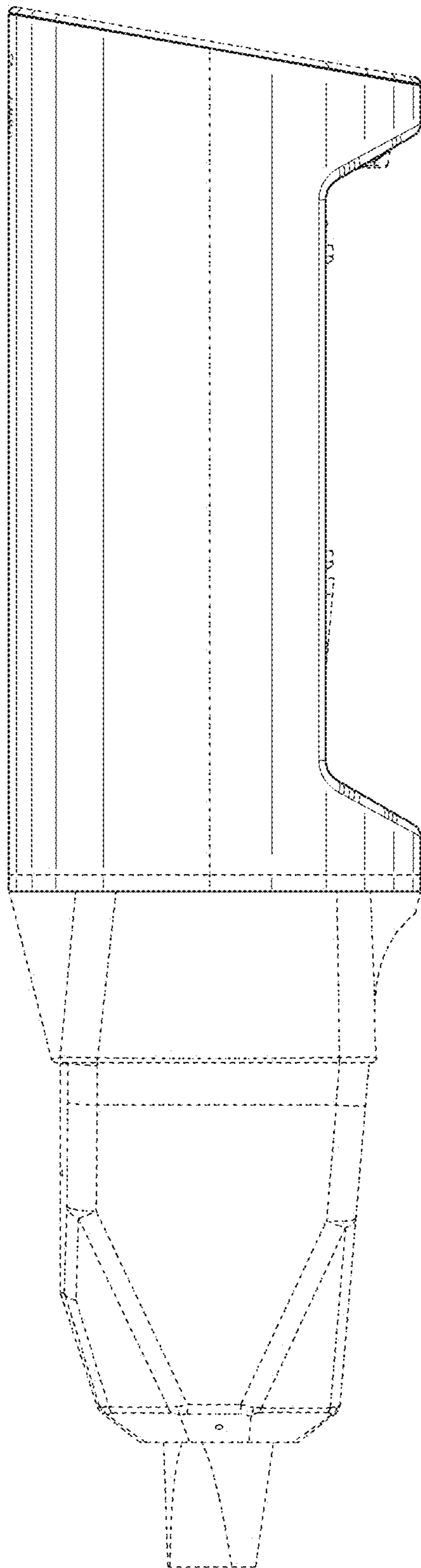


FIG. 10
Amended

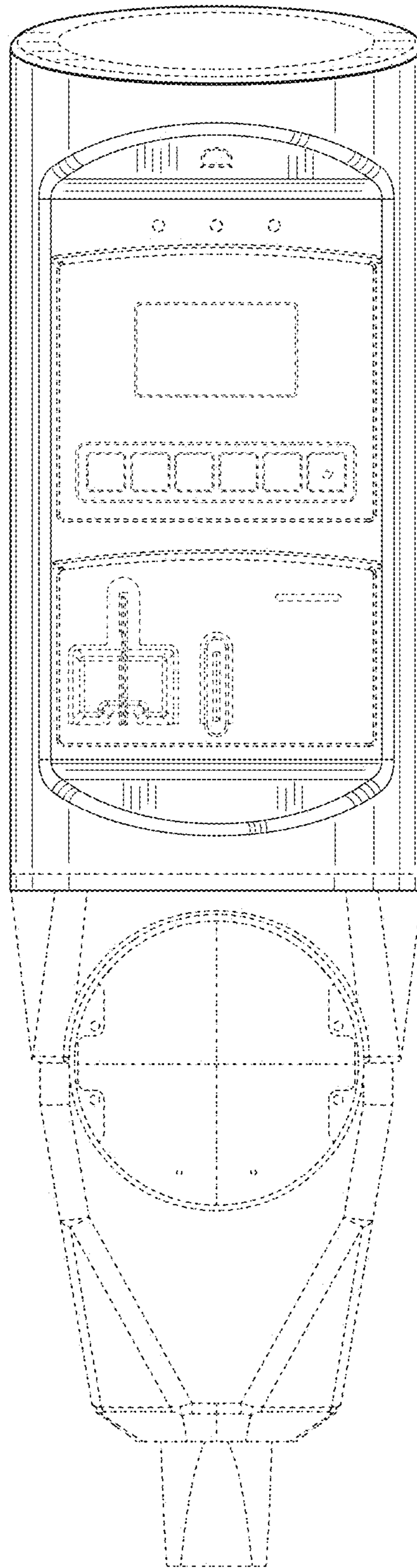


FIG. 11
Amended

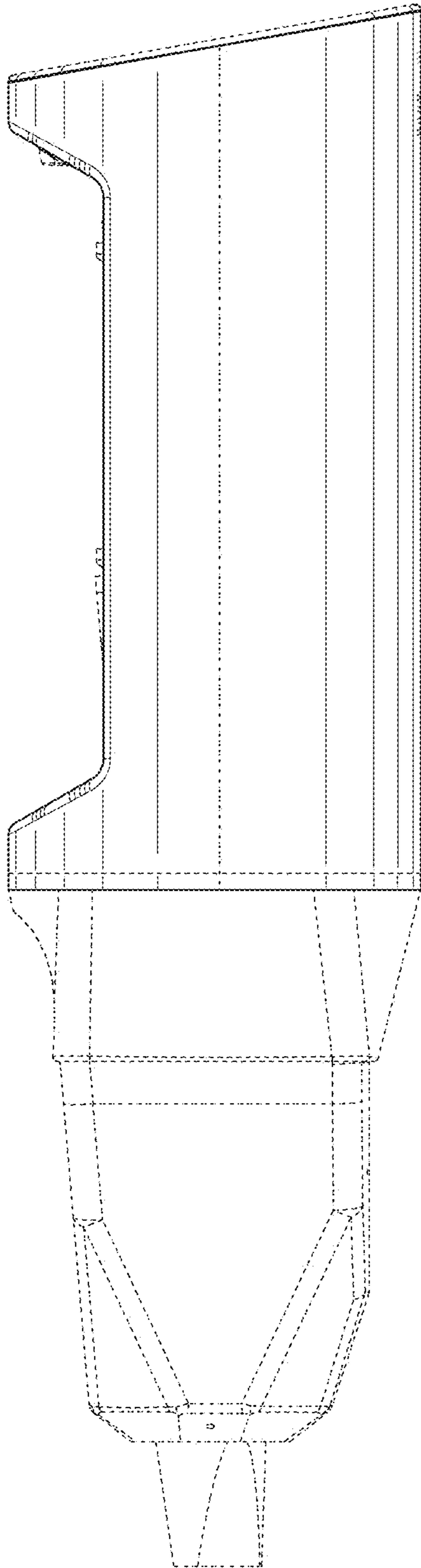


FIG. 12
Amended

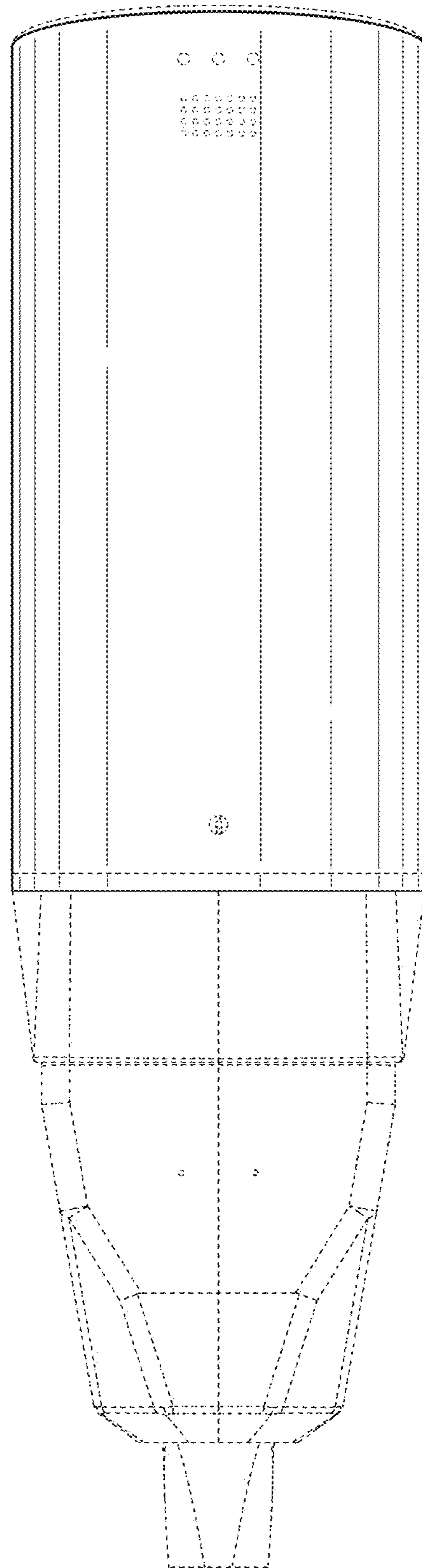


FIG. 13
Amended

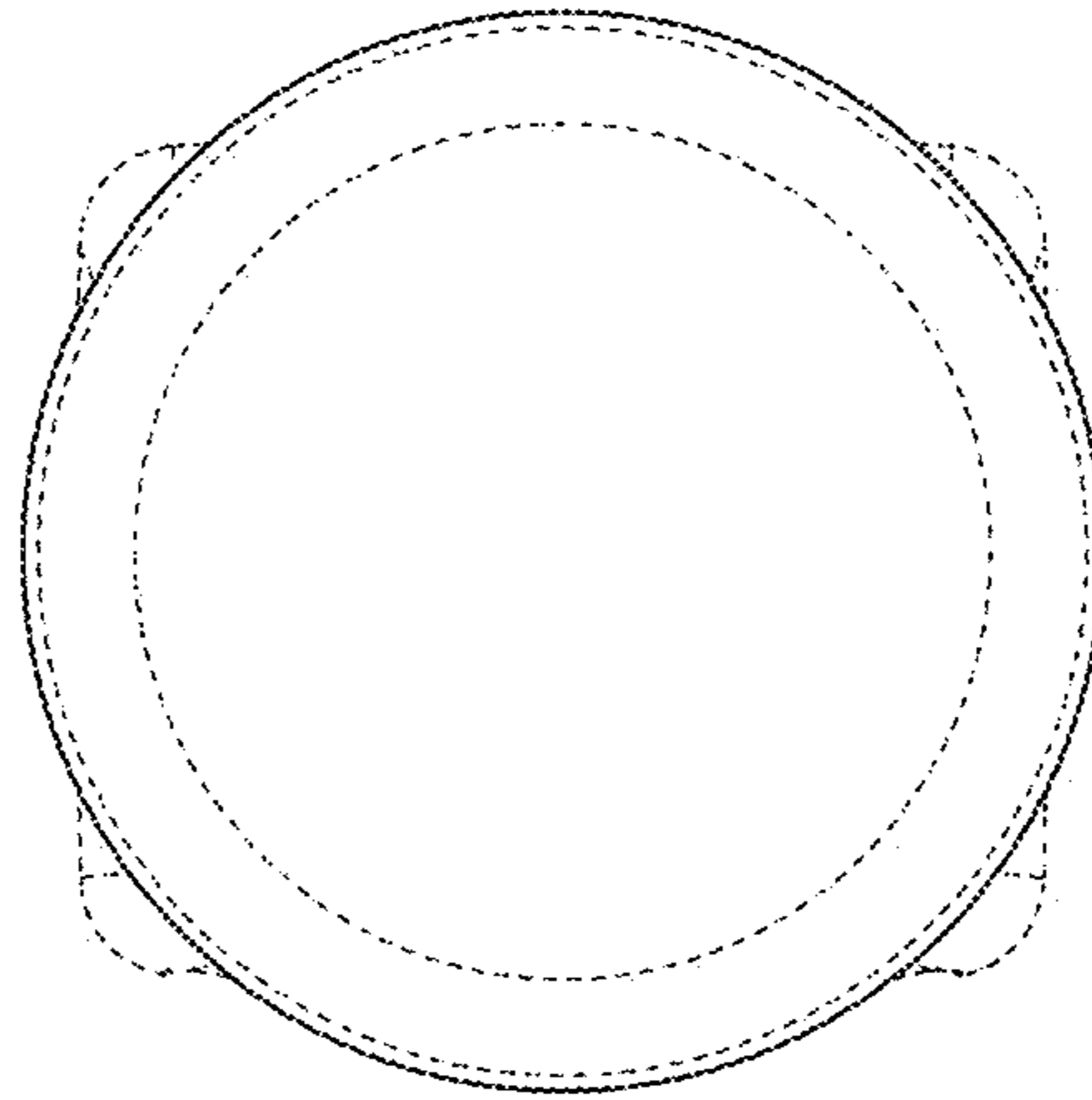


FIG. 14
Amended