



US00RE48520E

(19) **United States**  
(12) **Reissued Patent**  
**Shalev**

(10) **Patent Number:** **US RE48,520 E**  
(45) **Date of Reissued Patent:** **Apr. 20, 2021**

(54) **TODDLER FORK**  
(71) Applicant: **ELLI & NOOLI, LLC**, Los Angeles, CA (US)  
(72) Inventor: **Maya Shalev**, Los Angeles, CA (US)  
(73) Assignee: **ELLI & NOOLI, LLC**, Los Angeles, CA (US)  
(21) Appl. No.: **29/729,409**  
(22) Filed: **Mar. 26, 2020**

D349,770 S \* 8/1994 Jarnagin ..... D24/198  
D413,049 S \* 8/1999 Bergkvist ..... D7/653  
D419,397 S \* 1/2000 Liu ..... D7/663  
6,134,790 A \* 10/2000 Watson ..... A47G 21/02  
30/295

(Continued)

*Primary Examiner* — Philip S Hyder  
(74) *Attorney, Agent, or Firm* — K&L Gates LLP

(57) **CLAIM**

The ornamental design for a toddler fork, as shown and described herein.

**Related U.S. Patent Documents**

Reissue of:  
(64) Patent No.: **Des. 799,910**  
Issued: **Oct. 17, 2017**  
Appl. No.: **29/558,965**  
Filed: **Mar. 23, 2016**

U.S. Applications:  
(62) Division of application No. 29/704,367, filed on Sep. 4, 2019, which is an application for the reissue of Pat. No. Des. 799,910.  
(51) **LOC (13) Cl.** ..... **07-03**  
(52) **U.S. Cl.**  
USPC ..... **D7/653**  
(58) **Field of Classification Search**  
USPC ..... D7/402.1, 642–645, 653–664, 691;  
D8/107, 14; D21/525  
CPC .... A47G 21/00; A47G 21/004; A47G 21/005;  
A47G 21/023; A47G 21/04; A47G 21/06;  
A47G 21/08; A47J 43/28; A47J 43/281;  
A47J 43/282  
See application file for complete search history.

**DESCRIPTION**

*Notice: More than one reissue application has been filed for the reissue of U.S. Pat. No. D. 799,910. This application is a reissue divisional of U.S. application Ser. No. 29/704,367, which is an application for reissue of U.S. Pat. No. D. 799,910.*

FIG. 1 illustrates a side view of a toddler fork showing my new design, the opposite side a mirror image thereof  
FIG. 2 illustrates a top plan view of the toddler fork of FIG. 1.  
FIG. 3 illustrates a bottom plan view of the toddler fork of FIG. 1.  
FIG. 4 illustrates a front elevational view of the toddler fork of FIG. 1.  
FIG. 5 illustrates a perspective view of the top-side of the toddler fork of FIG. 1; and,  
FIG. 6 illustrates a perspective view of the bottom-side of the toddler fork of FIG. 1.  
Any broken lines in the drawings are for illustrative purposes only and form no part of the claimed design. Additionally, the toddler fork is not limited to the scale shown herein.

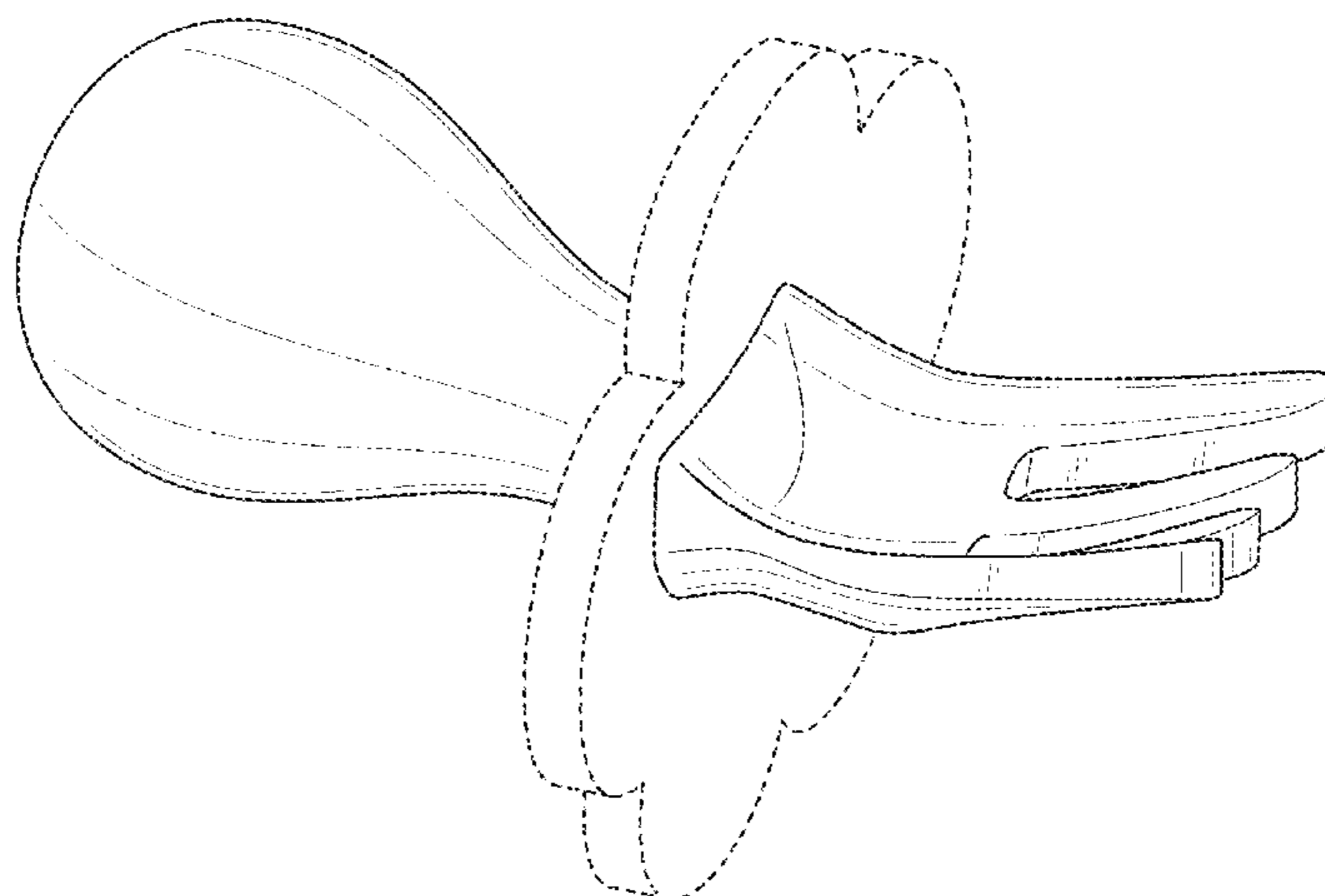
(56) **References Cited**

**U.S. PATENT DOCUMENTS**

D148,693 S \* 2/1948 Grosvenor ..... D7/644  
D336,520 S \* 6/1993 McDaniel ..... D24/194  
D339,036 S \* 9/1993 McDaniel ..... D7/643  
D339,063 S \* 9/1993 Simon ..... D9/432

**1 Claim, 6 Drawing Sheets**

**Matter enclosed in heavy brackets [ ] appears in the original patent but forms no part of this reissue; matter printed in italics indicates the additions made by reissue.**



AMENDED

(56)

**References Cited**

U.S. PATENT DOCUMENTS

D482,248	S	*	11/2003	Roehrig	.....	D7/663
D491,420	S	*	6/2004	Shibata	.....	D7/653
D496,833	S	*	10/2004	Lantz	.....	D7/653
D582,046	S	*	12/2008	Rohrig	.....	D24/194
D592,019	S	*	5/2009	Holcomb	.....	D7/643
D615,367	S	*	5/2010	Sierra	.....	D7/653
D621,229	S	*	8/2010	De Bretton Gordon	.....	D7/645
D657,621	S	*	4/2012	Pookrum	.....	D7/401.2
D682,613	S	*	5/2013	De Leo	.....	D7/401.2
D695,361	S	*	12/2013	Roehrig	.....	D21/525
D707,307	S	*	6/2014	Roehrig	.....	D21/525
D789,160	S	*	6/2017	Strandberg	.....	D7/643
D834,381	S	*	11/2018	Appelbaum	.....	D7/653
D834,382	S	*	11/2018	Appelbaum	.....	D7/653
D850,197	S	*	6/2019	Thraikill	.....	D7/401.2

\* cited by examiner

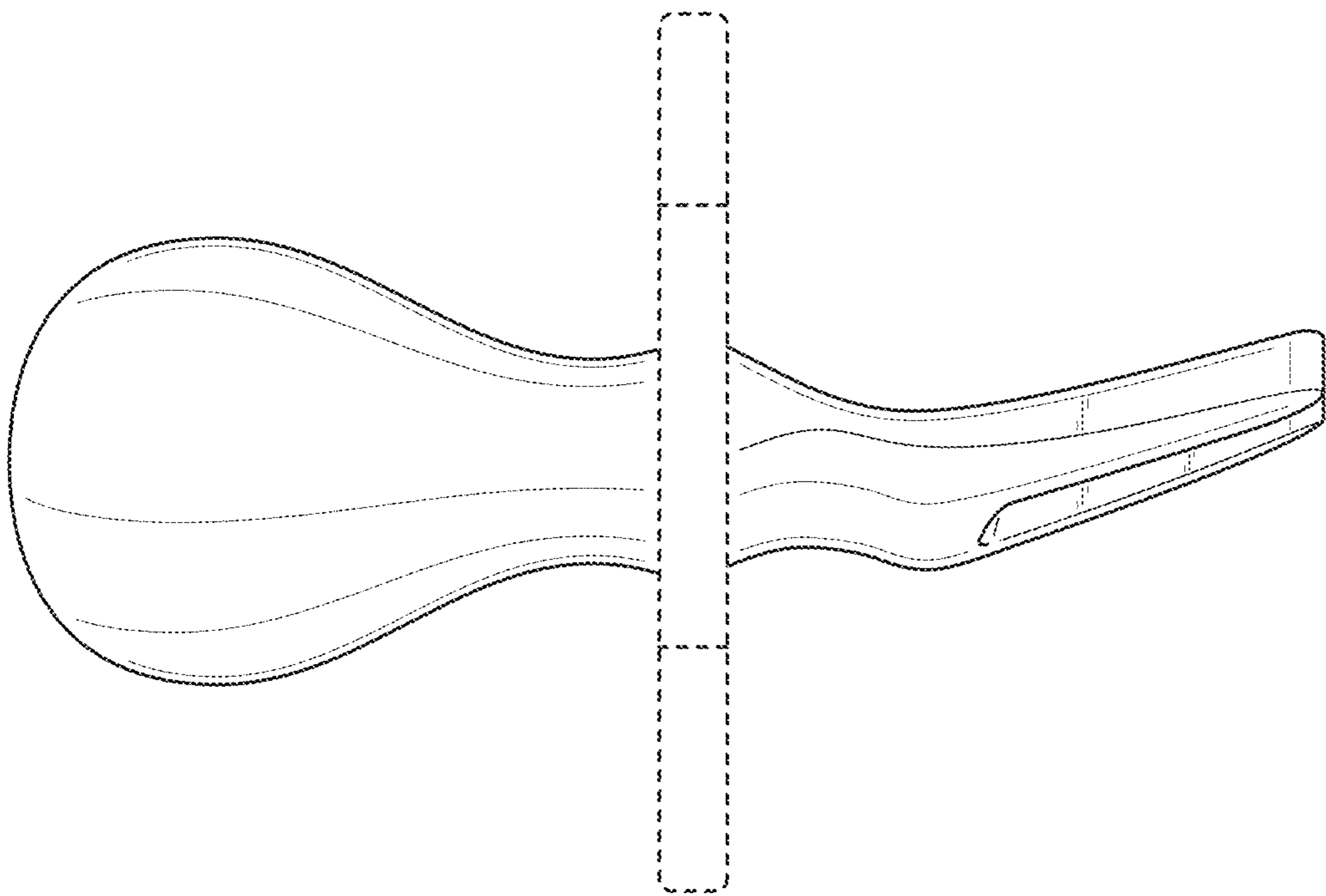


FIG. 1 AMENDED

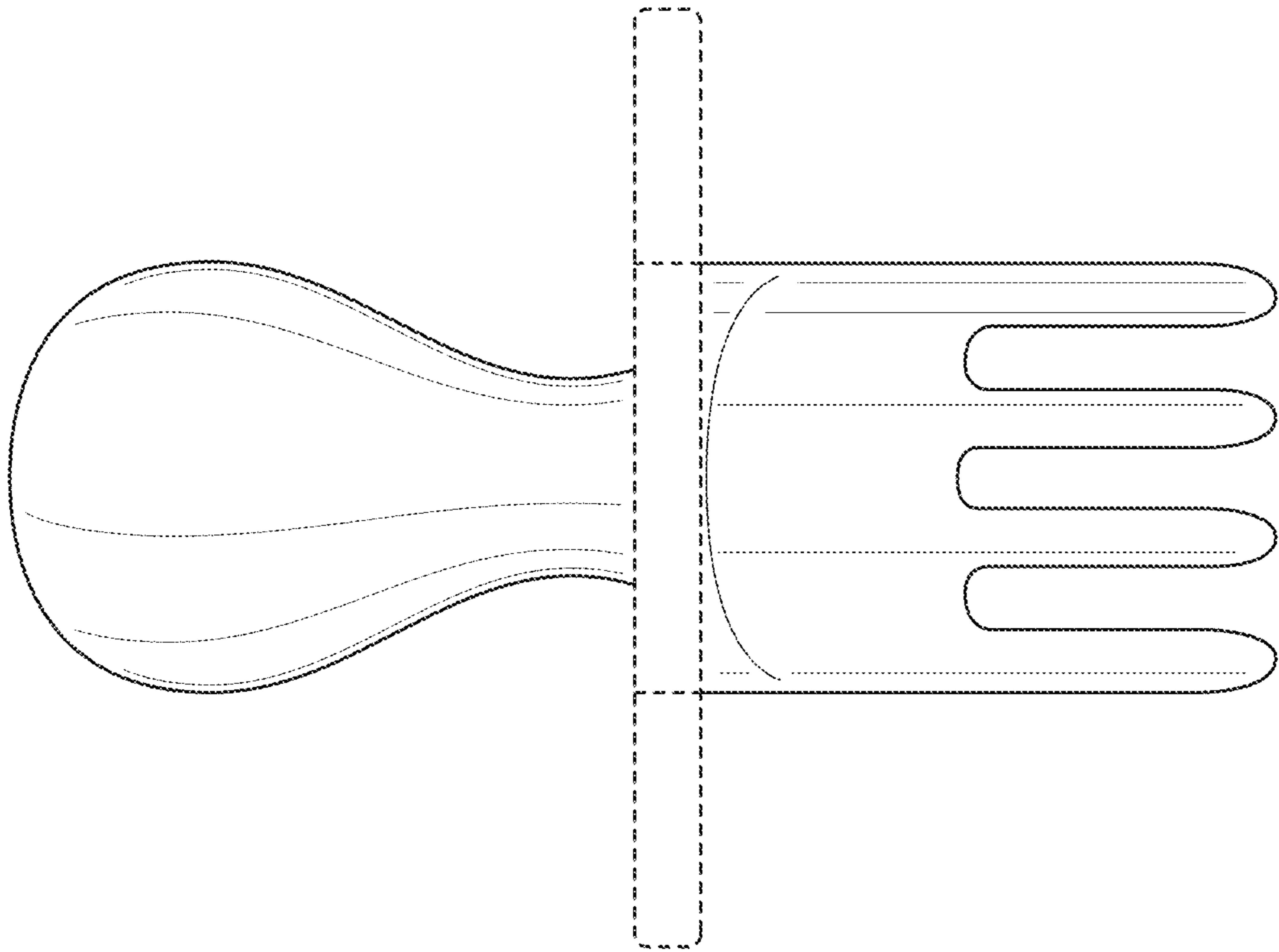


FIG. 2 AMENDED

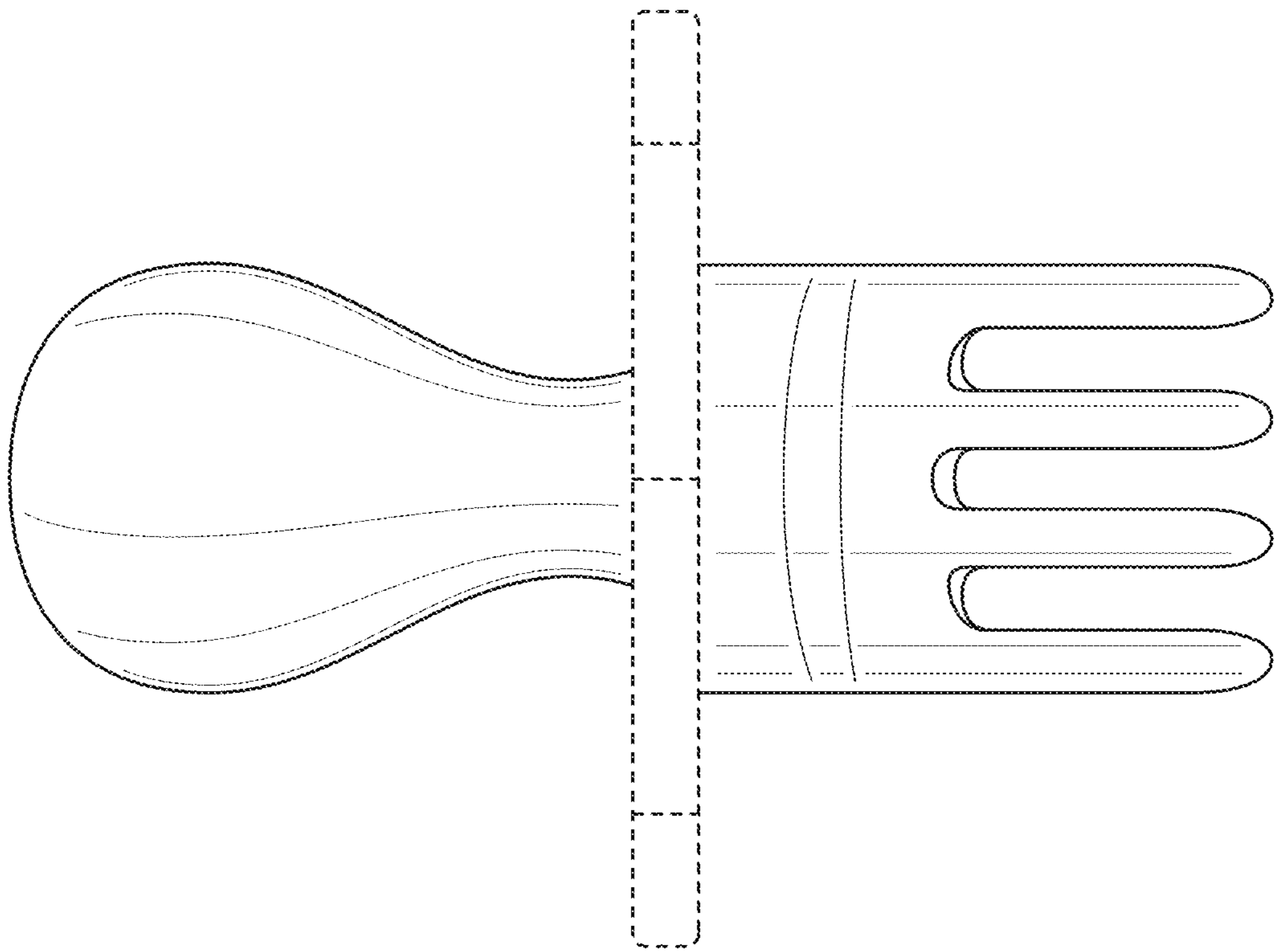


FIG. 3 AMENDED

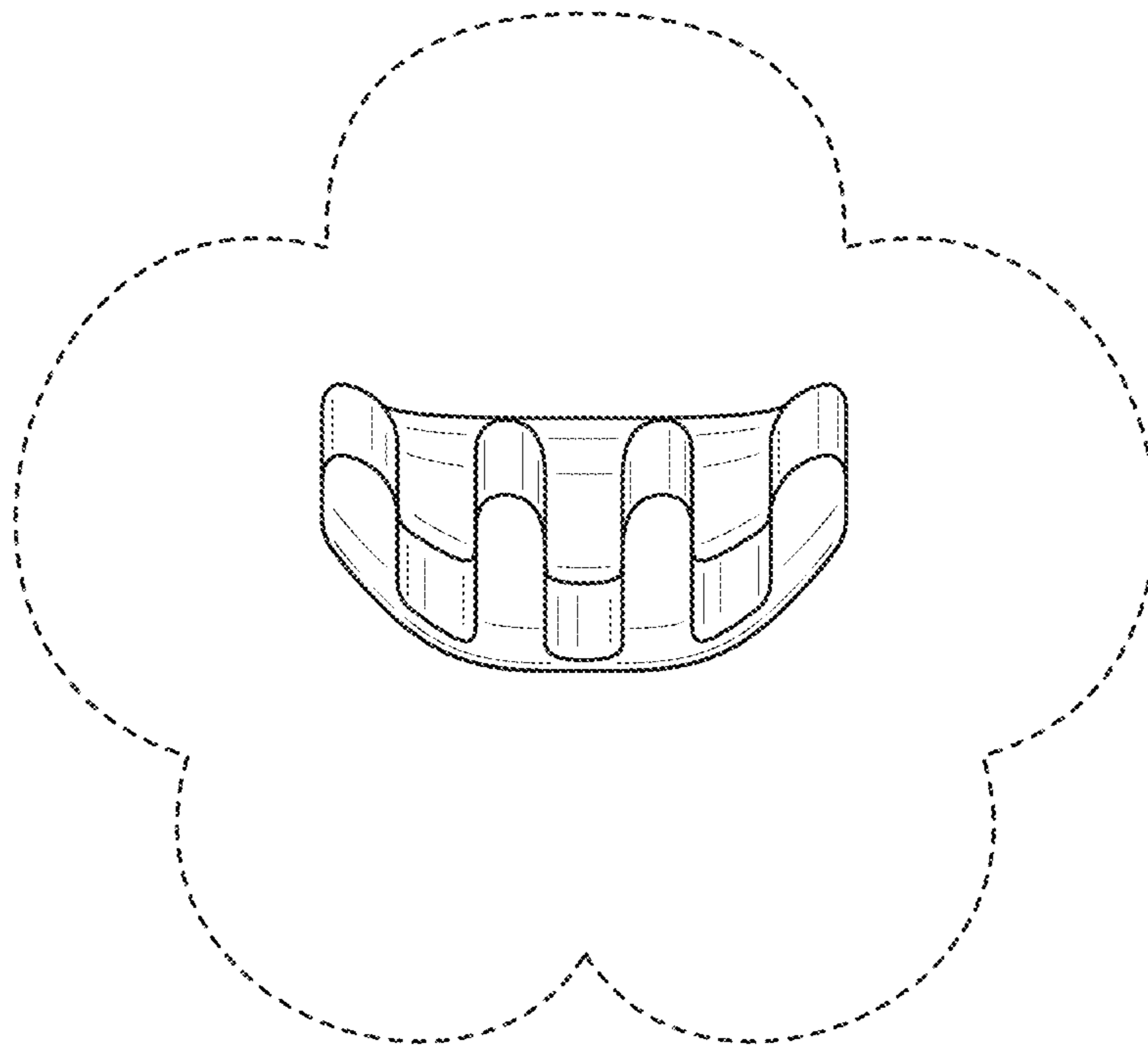


FIG. 4 AMENDED

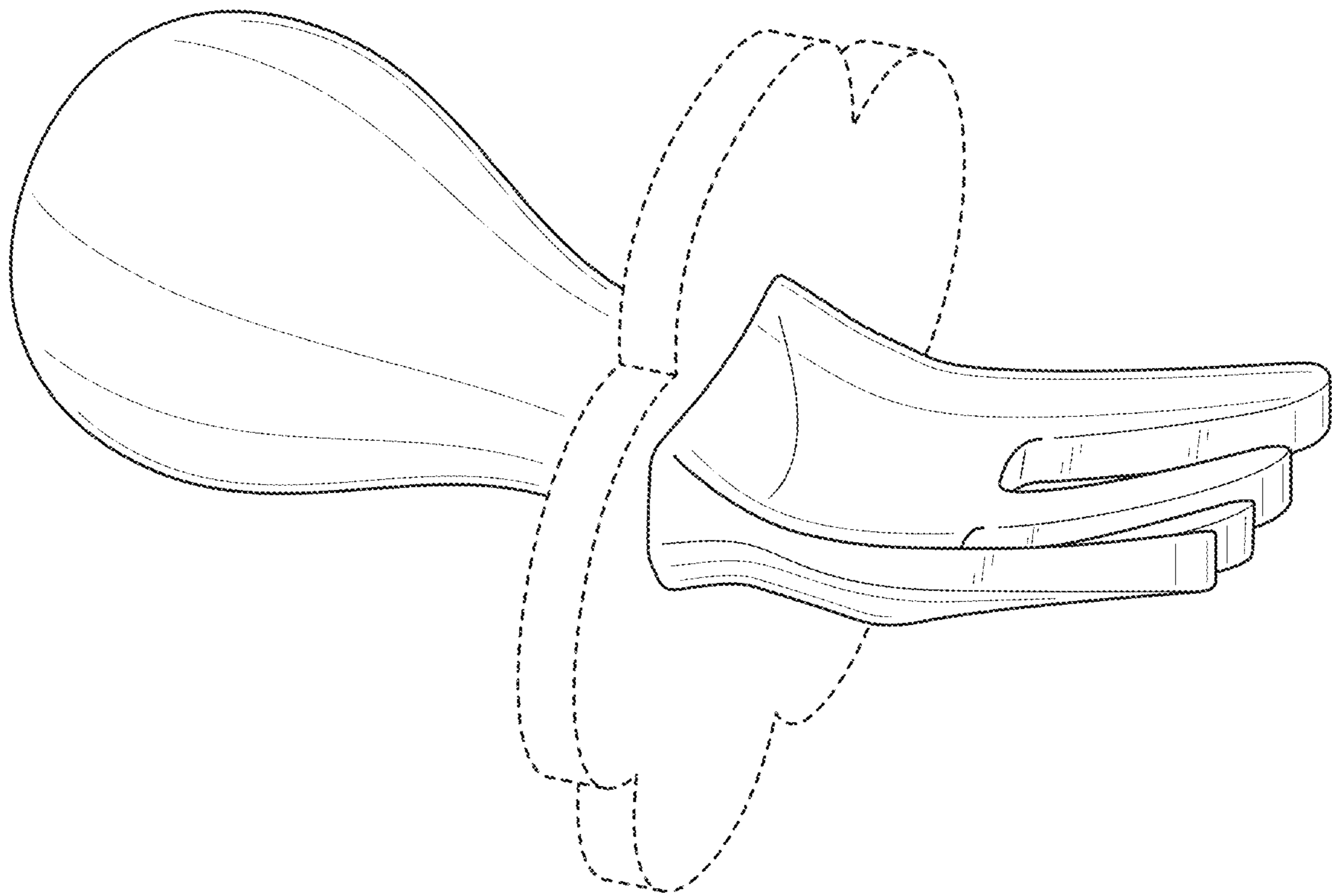


FIG. 5 AMENDED



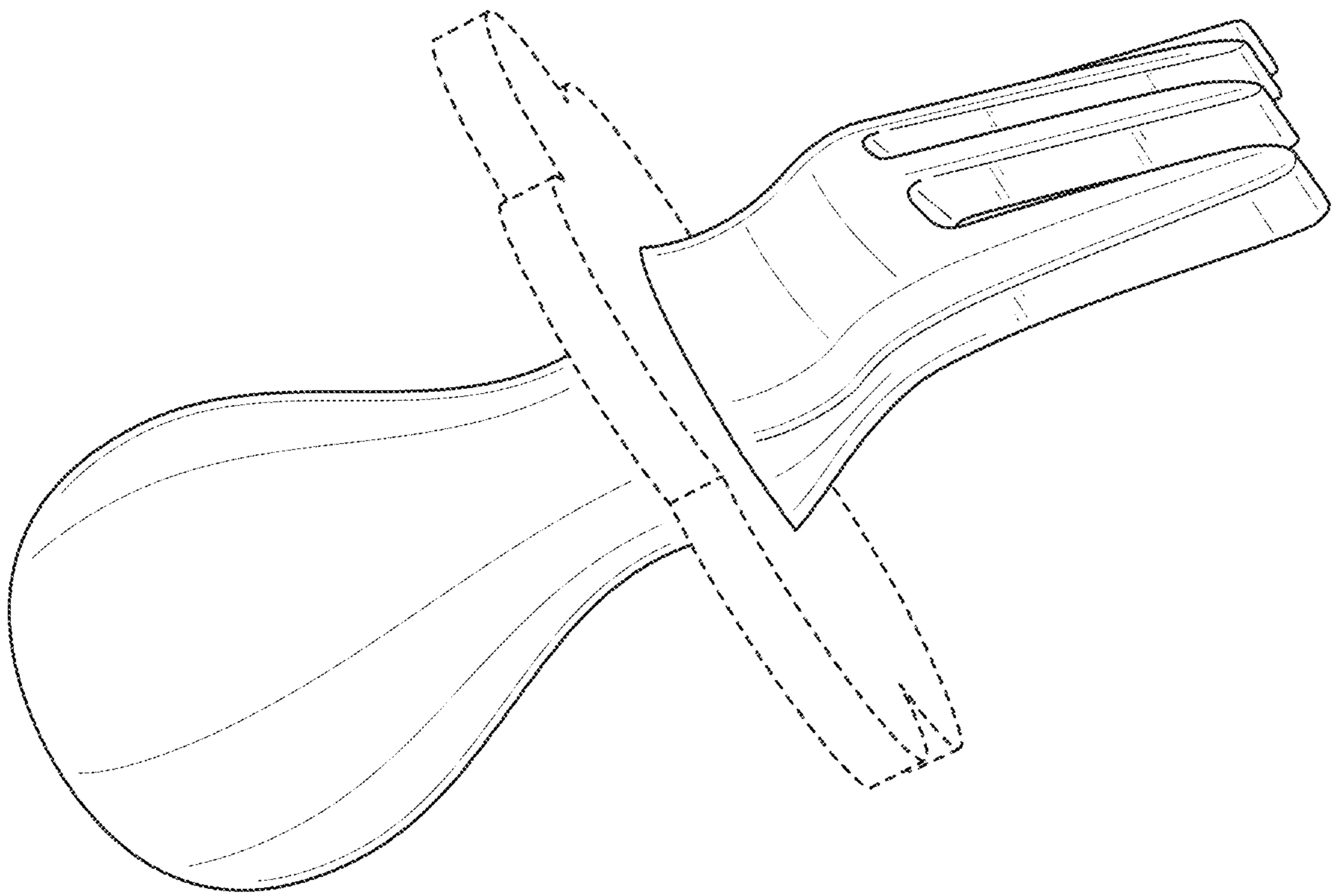


FIG. 6 AMENDED