



US00RE48519E

(19) **United States**
(12) **Reissued Patent**
Shalev

(10) **Patent Number:** **US RE48,519 E**
(45) **Date of Reissued Patent:** **Apr. 20, 2021**

(54) **TODDLER FORK**
(71) Applicant: **ELLI & NOOLI, LLC**, Los Angeles, CA (US)
(72) Inventor: **Maya Shalev**, Los Angeles, CA (US)
(73) Assignee: **ELLI & NOOLI, LLC**, Los Angeles, CA (US)
(21) Appl. No.: **29/729,403**
(22) Filed: **Mar. 26, 2020**

D339,063 S * 9/1993 Simon D9/432
D349,770 S * 8/1994 Jarnagin D24/198
D413,049 S * 8/1999 Bergkvist D7/653
D419,397 S * 1/2000 Liu D7/663

(Continued)

Primary Examiner — Philip S Hyder
(74) *Attorney, Agent, or Firm* — K&L Gates LLP

(57) **CLAIM**

The ornamental design for a toddler fork, as shown and described herein.

DESCRIPTION

Notice: More than one reissue application has been filed for the reissue of U.S. Pat. No. D. 799,910. This application is a reissue divisional of U.S. application Ser. No. 29/704,367, which is an application for reissue of U.S. Pat. No. D. 799,910.

FIG. 1 illustrates a side view of a toddler fork showing my new design, the opposite side view being a mirror image thereof.

FIG. 2 illustrates a top plan view of the toddler fork of FIG. 1.

FIG. 3 illustrates a bottom plan view of the toddler fork of FIG. 1.

FIG. 4 illustrates a front elevational view of the toddler fork of FIG. 1.

FIG. 5 illustrates a perspective view of the top-side of the toddler fork of [FIG. 1; and,] FIG. 1.

FIG. 6 illustrates a perspective view of the bottom-side of the toddler fork of FIG. 1.

Any broken lines in the drawings are for illustrative purposes only and form no part of the claimed design. Additionally, the toddler fork is not limited to the scale shown herein.

Related U.S. Patent Documents

Reissue of:

(64) Patent No.: **Des. 799,910**
Issued: **Oct. 17, 2017**
Appl. No.: **29/558,965**
Filed: **Mar. 23, 2016**

U.S. Applications:

(62) Division of application No. 29/704,367, filed on Sep. 4, 2019, which is an application for the reissue of Pat. No. Des. 799,910.

(51) **LOC (13) Cl.** **07-03**

(52) **U.S. Cl.**
USPC **D7/653**

(58) **Field of Classification Search**
USPC D7/402.1, 642-645, 653-664, 691;
D8/107, 14; D21/525
CPC A47G 21/00; A47G 21/004; A47G 21/005;
A47G 21/023; A47G 21/04; A47G 21/06;
A47G 21/08; A47J 43/28; A47J 43/281;
A47J 43/282

See application file for complete search history.

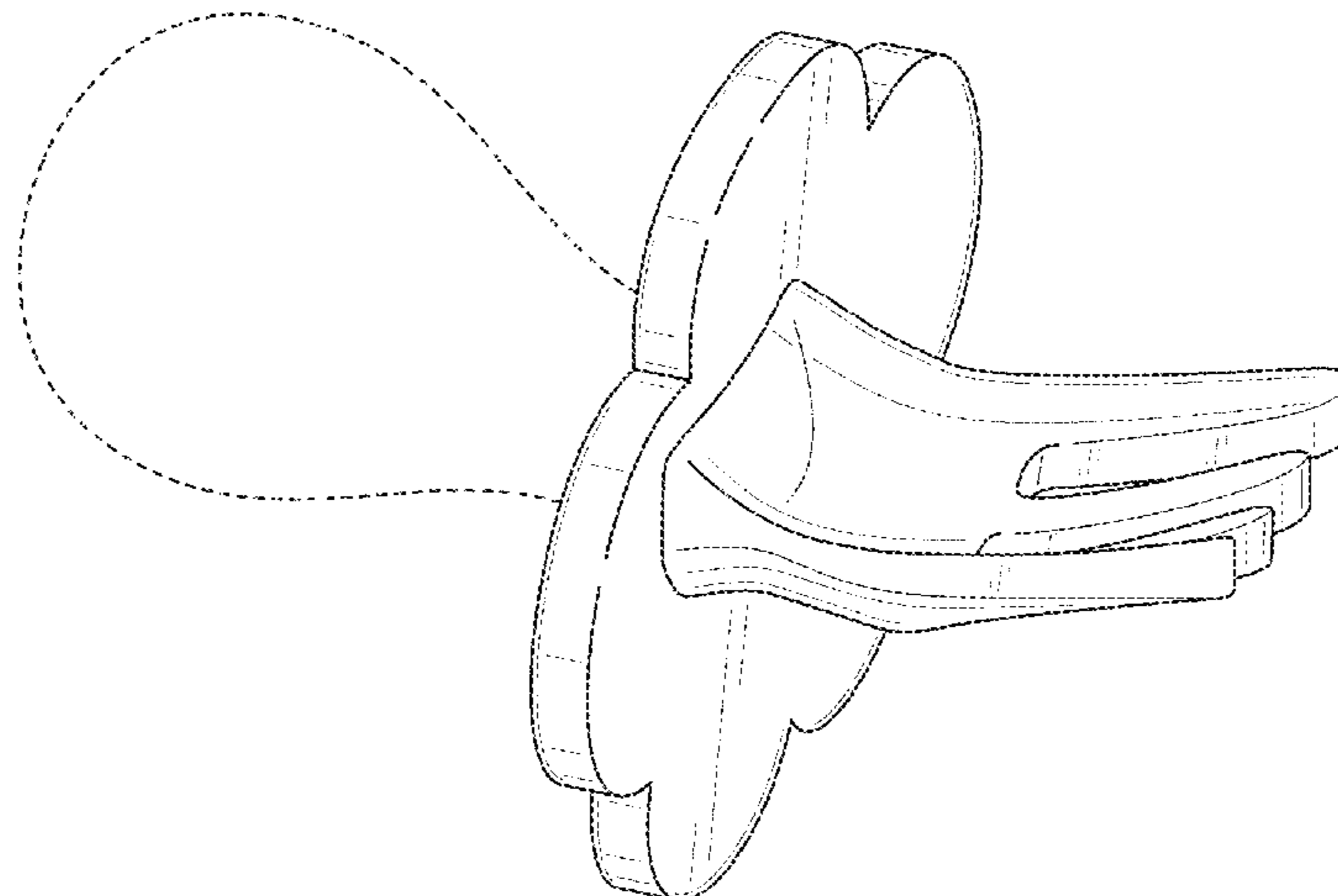
(56) **References Cited**

U.S. PATENT DOCUMENTS

D148,693 S * 2/1948 Grosvenor D7/644
D336,520 S * 6/1993 McDaniel D24/194
D339,036 S * 9/1993 McDaniel D7/643

1 Claim, 6 Drawing Sheets

Matter enclosed in heavy brackets [] appears in the original patent but forms no part of this reissue; matter printed in italics indicates the additions made by reissue.



AMENDED

(56)

References Cited

U.S. PATENT DOCUMENTS

6,134,790 A * 10/2000 Watson A47G 21/02
30/295
D482,248 S * 11/2003 Roehrig D7/663
D491,420 S * 6/2004 Shibata D7/653
D496,833 S * 10/2004 Lantz D7/653
D582,046 S * 12/2008 Rohrig D24/194
D592,019 S * 5/2009 Holcomb D7/643
D615,367 S * 5/2010 Sierra D7/653
D621,229 S * 8/2010 De Bretton Gordon D7/645
D657,621 S * 4/2012 Pookrum D7/401.2
D682,613 S * 5/2013 De Leo D7/401.2
D695,361 S * 12/2013 Roehrig D21/525
D707,307 S * 6/2014 Roehrig D21/525
D789,160 S * 6/2017 Strandberg D7/643
D834,381 S * 11/2018 Appelbaum D7/653
D834,382 S * 11/2018 Appelbaum D7/653
D850,197 S * 6/2019 Thraikill D7/401.2

* cited by examiner

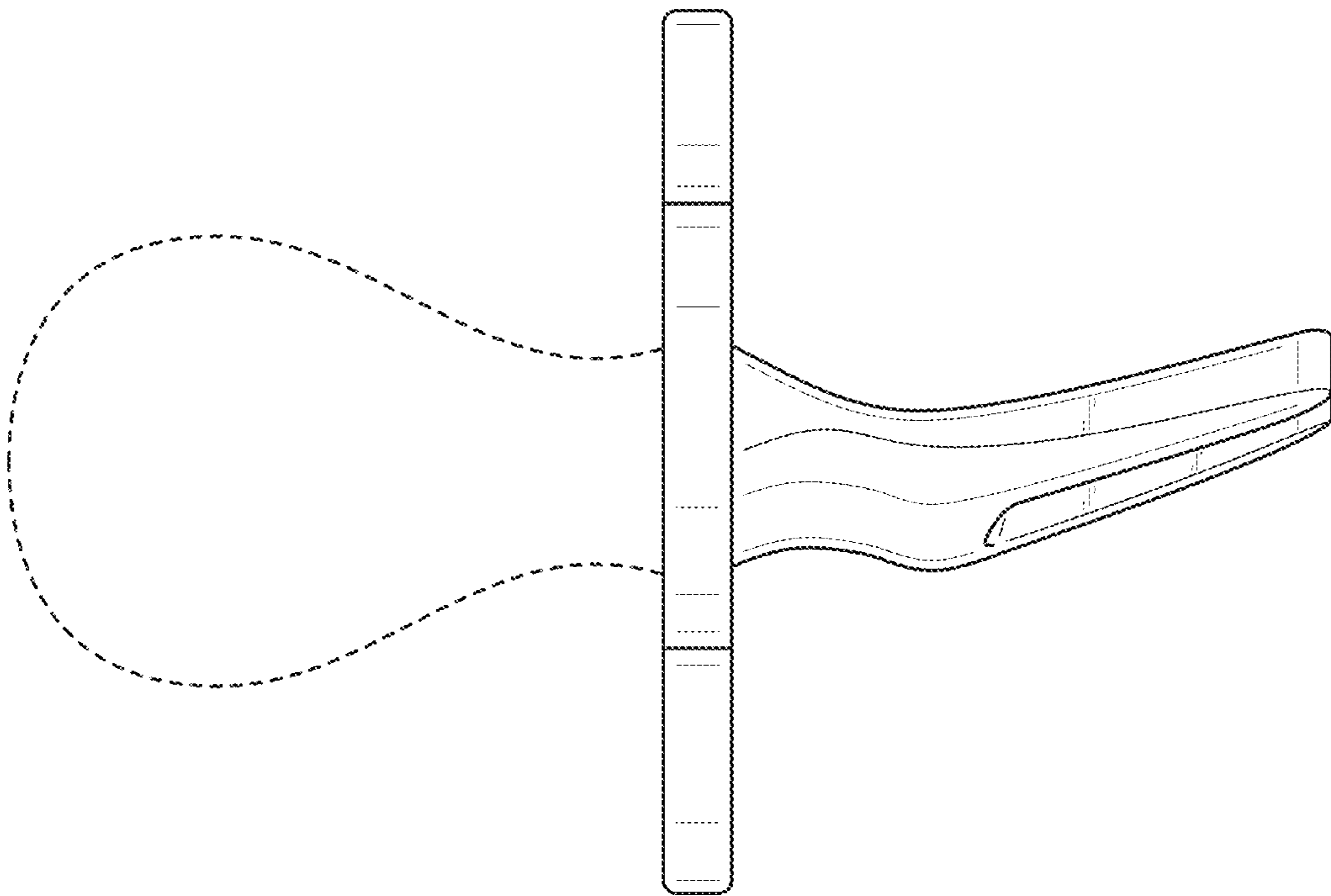


FIG. 1 AMENDED

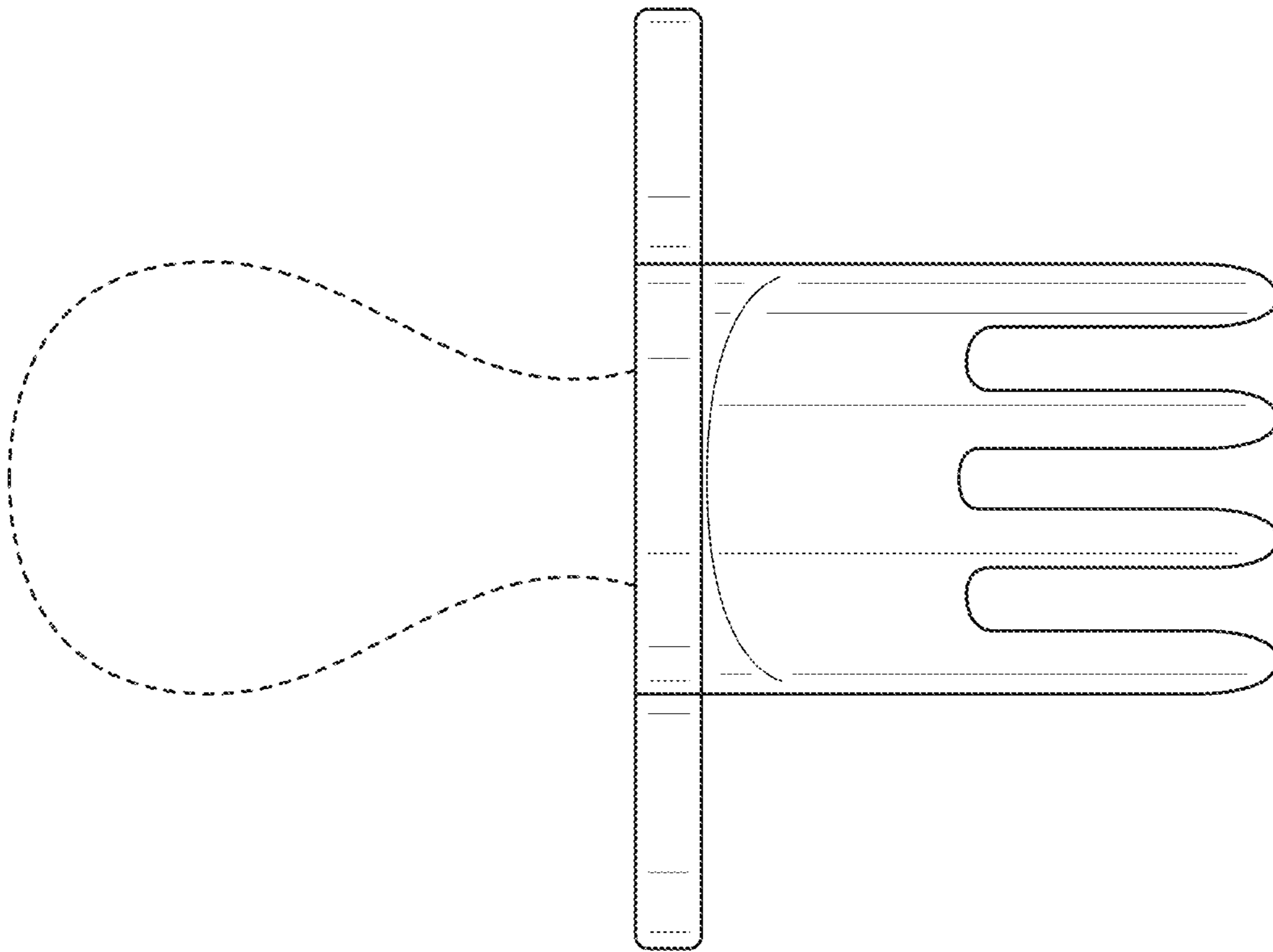


FIG. 2 AMENDED

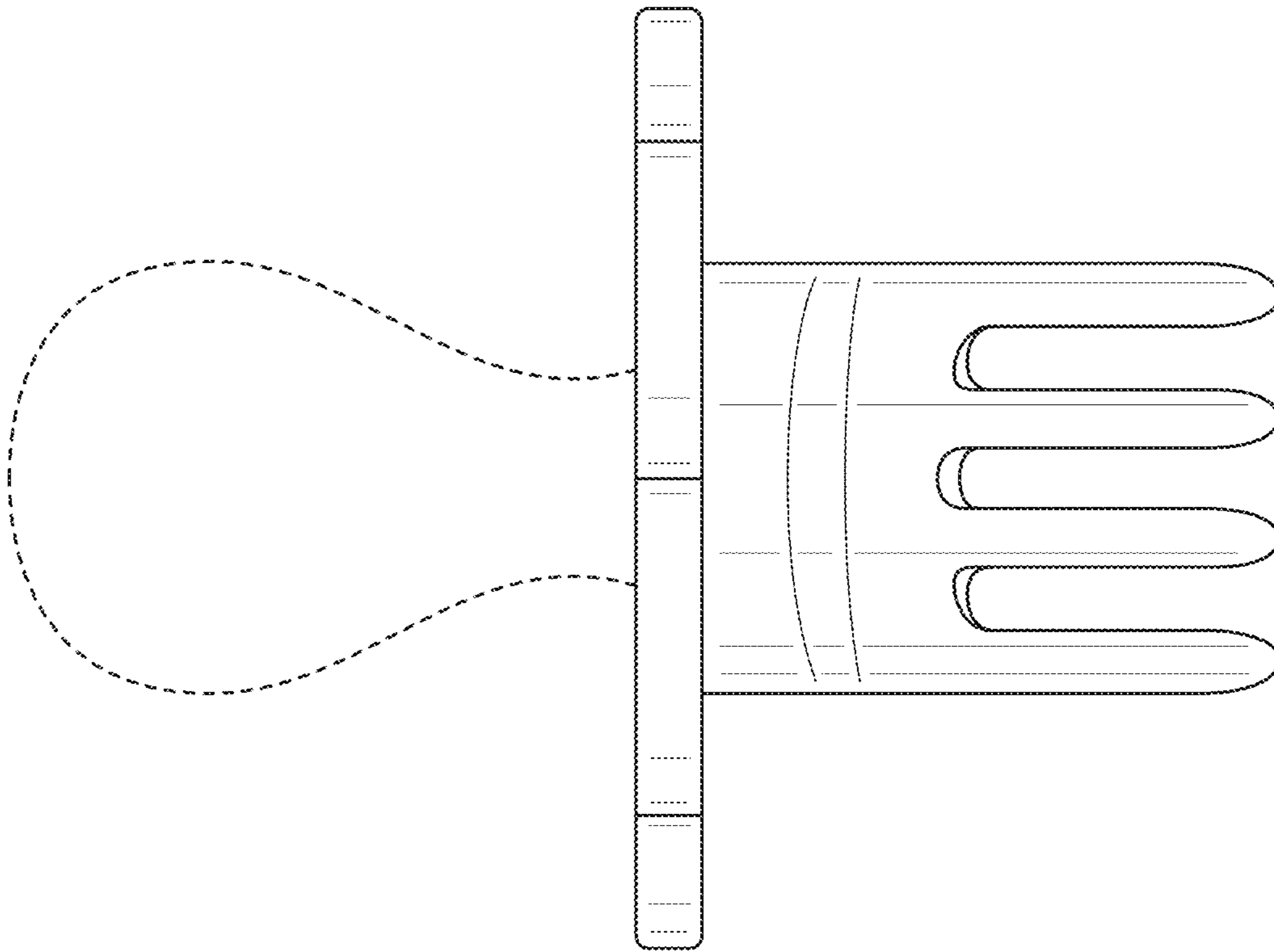


FIG. 3 AMENDED

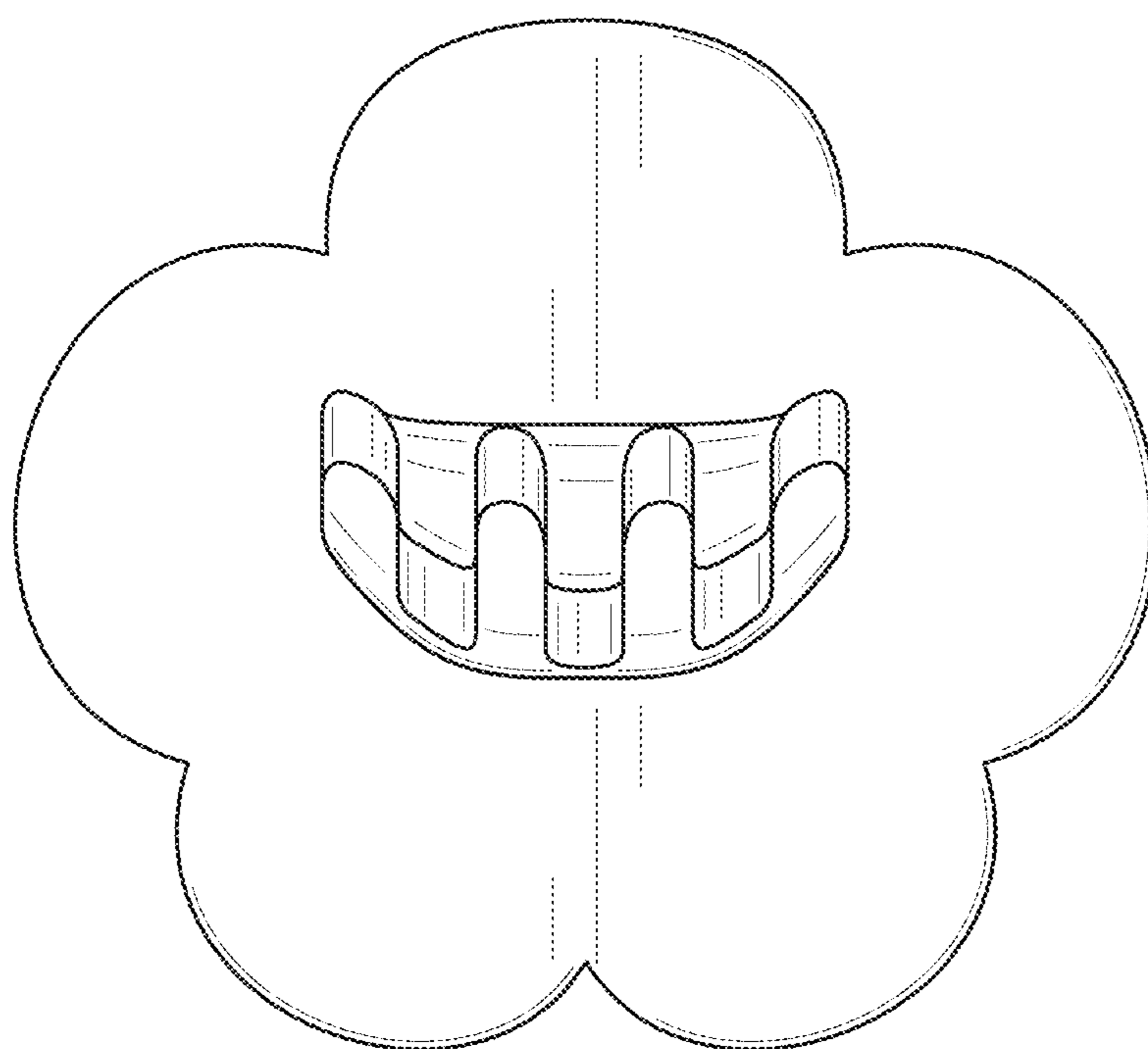


FIG. 4 AMENDED

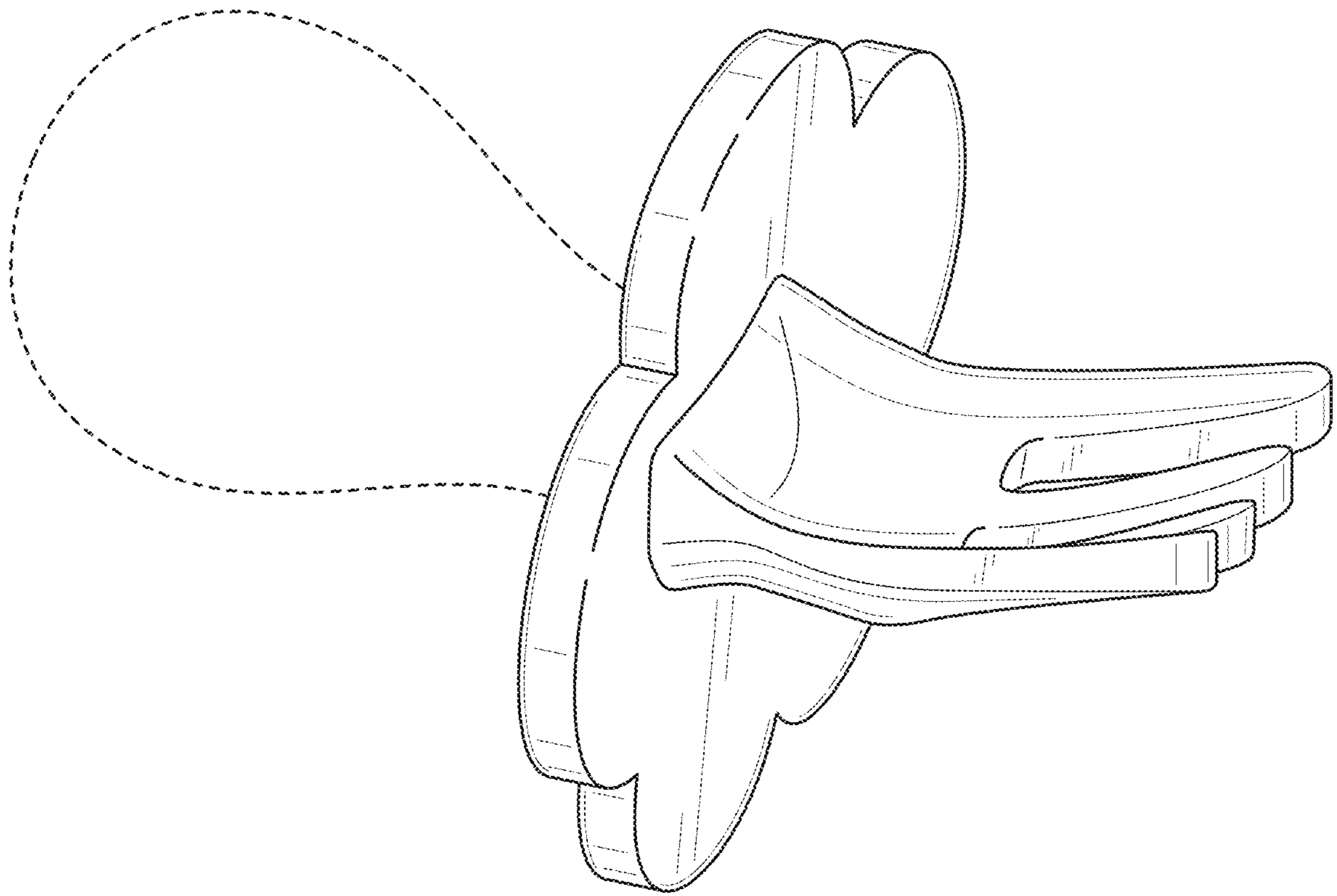


FIG. 5 AMENDED

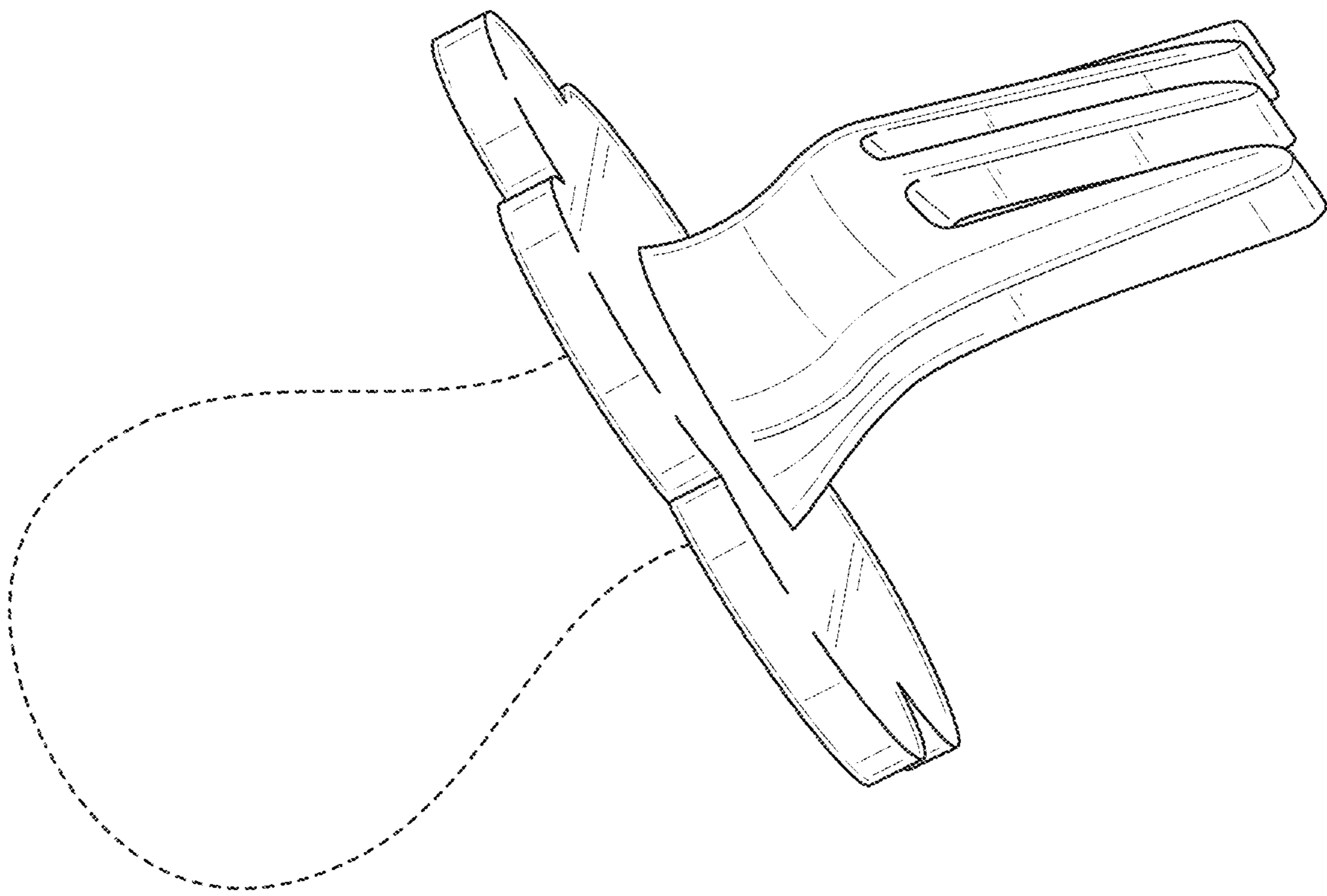


FIG. 6 AMENDED